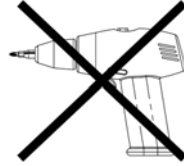


ASSEMBLY INSTRUCTIONS-IMPORTANT:

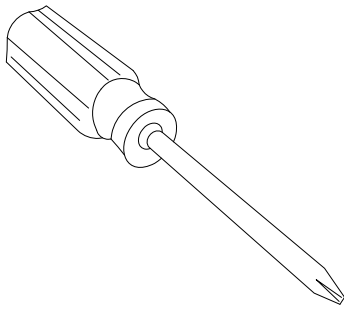
Carefully unpack&identify each component before attempting to assemble,Refer to parts list.Please take care when assembling the unit and always set the parts on a clean,soft surface.

Check screws,nuts and bolts periodically (or every 6 months).Tighten if necessary.

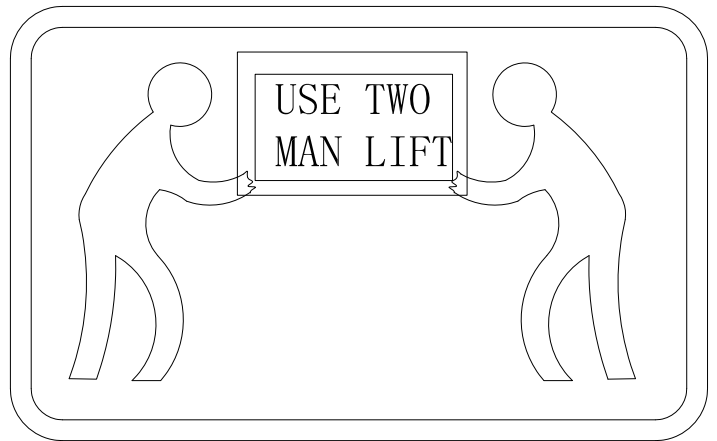


WARNING:DO NOT USE POWER TOOLS

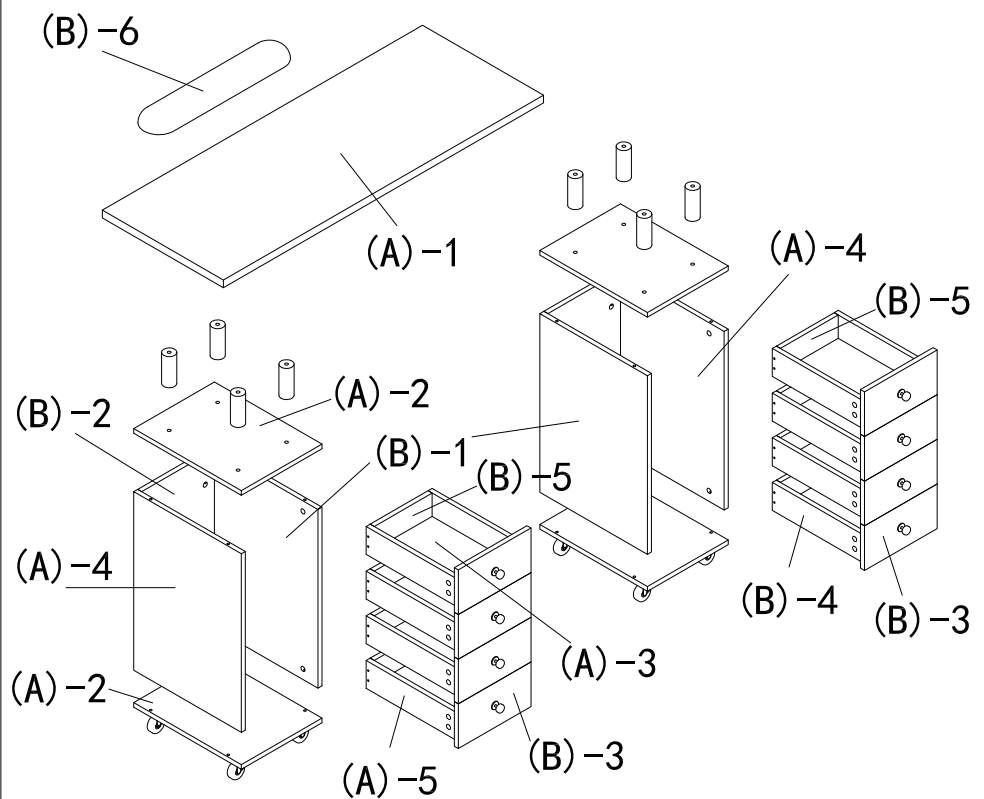
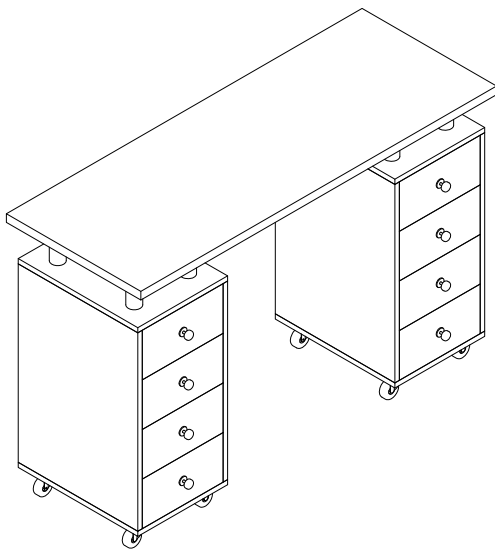
ADDITIONAL TOOL REQUIRED:



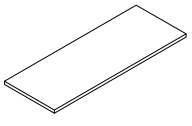
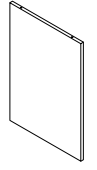
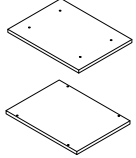
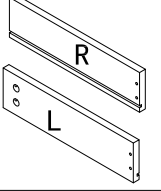
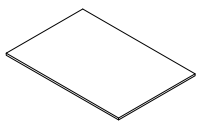

CAUTION!



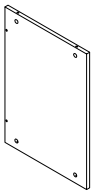
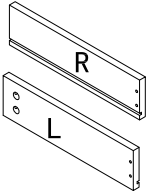

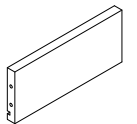
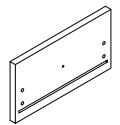
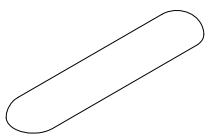
M3



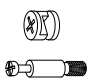
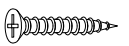


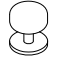
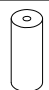



(A) Part lists

DESCRIPTION	QTY	PICTURE	DESCRIPTION	QTY	PICTURE
A-1 Table top 1190*450*25mm	x1		A-4 side-board 1190*450*25mm	x2	
A-2 Top-board Bottom-board 400*290*15mm	x2 x2		A-5 drawing side-board 330*90*15mm	x4 x4	
A-3 Bottom drawing 324*215*4mm	x8		A-6 Guide 12"		

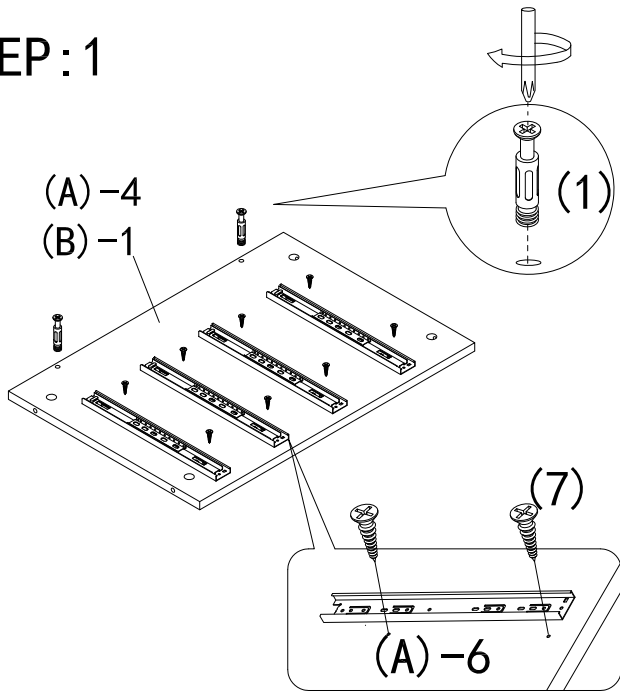
(B) Part lists

DESCRIPTION	QTY	PICTURE	DESCRIPTION	QTY	PICTURE
(B)-1 Middle side-board 565*400*15mm	x2		(B)-4 drawing side-board 330*90*15mm	x4 x4	
(B)-2 Back-board 565*260*15mm	x2		(B)-5 drawing Back-board 205*90*15mm	x8	
(B)-3 Drawing face 257*137*15mm	x8		(B)-6 Pad	x1	

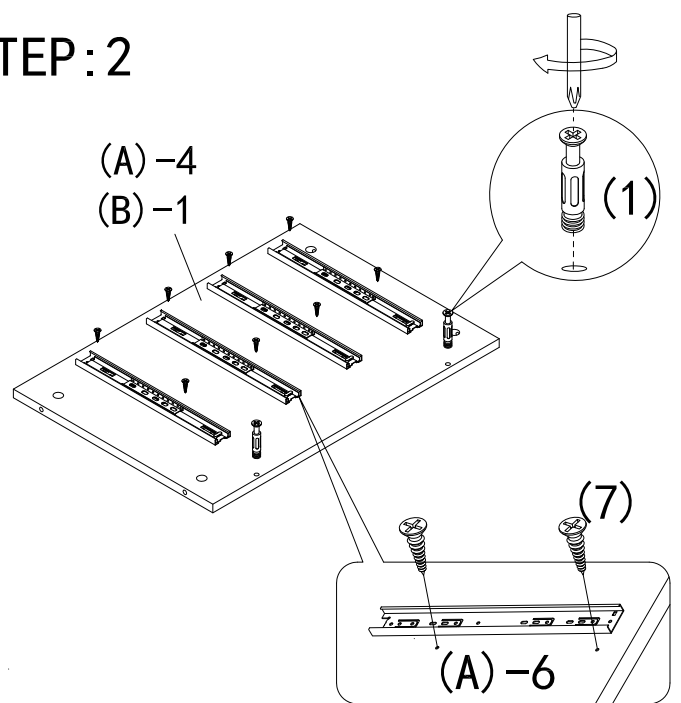
(B)-7 Part lists

(1) Eccentric fittings	x56+2 x56+2		(6) Screws $\phi 3.5 \times 35$	x32	 $\phi 3.5 \times 35$
(2) wheel	x8		(7) Screws $\phi 3.5 \times 12$	x100	 $\phi 3.5 \times 12$
(3) Handle	x8		(8) Pillars	x8	
(4) Screws $\phi 4 \times 20$	x8	 $\phi 4 \times 20$	(9) Screws $\phi 8 \times 130$	x8	 $\phi 8 \times 130$
(5) Shim	x8				

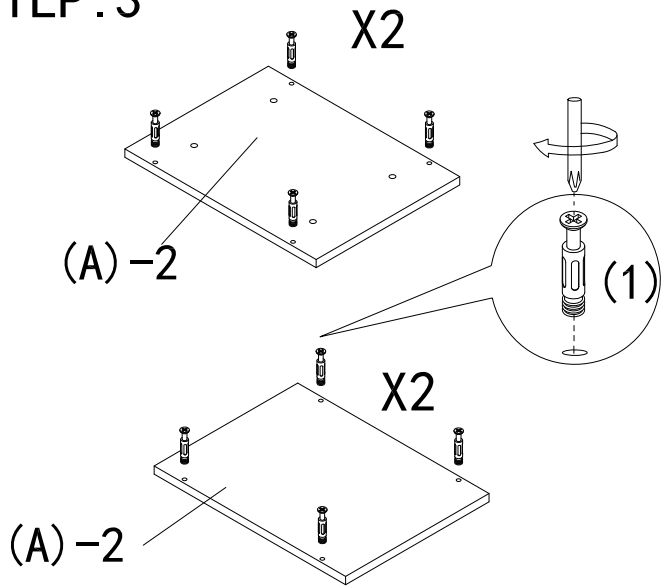
STEP: 1



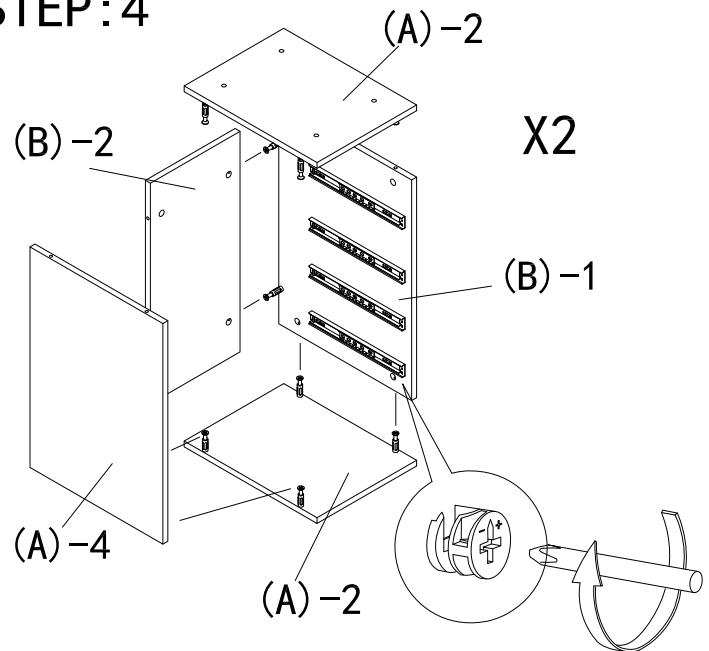
STEP: 2



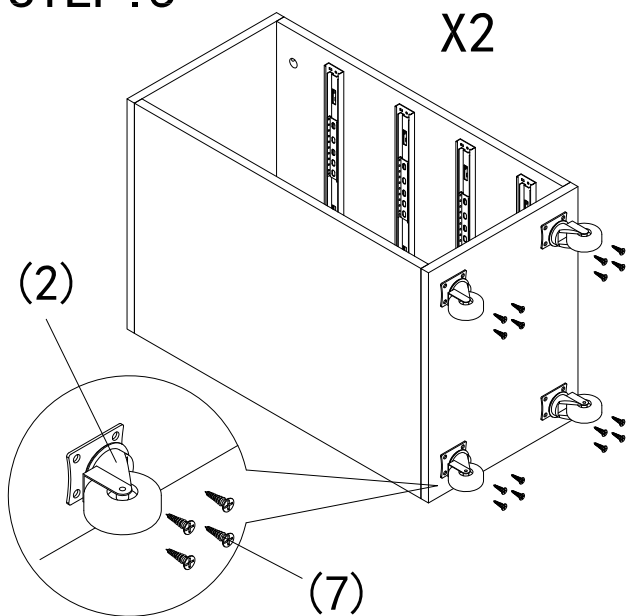
STEP: 3



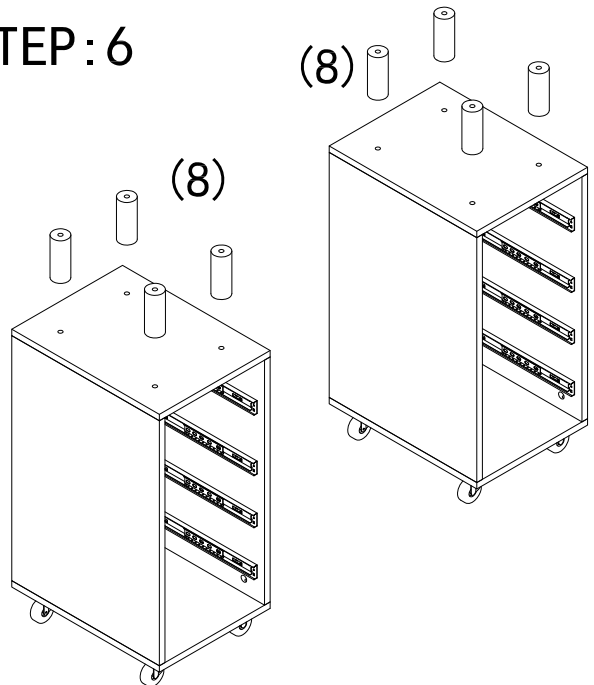
STEP: 4



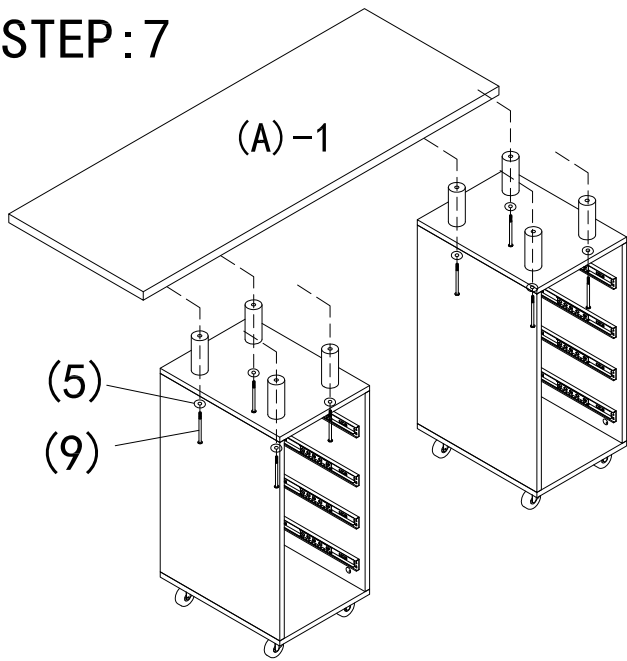
STEP: 5



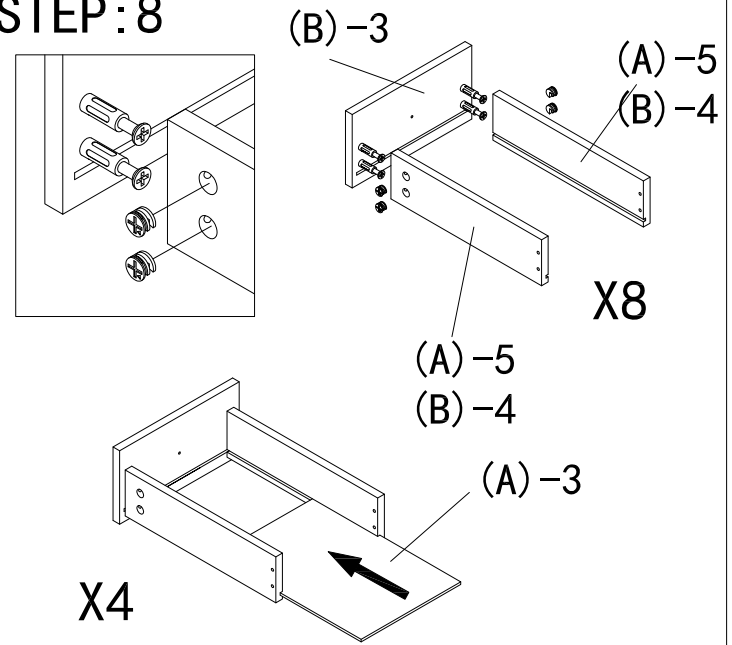
STEP: 6



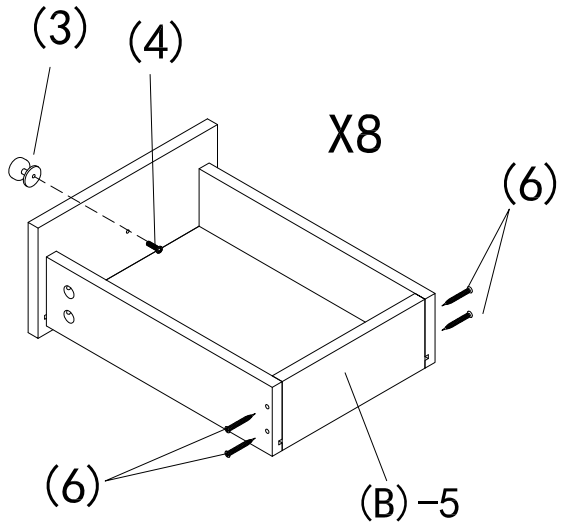
STEP:7



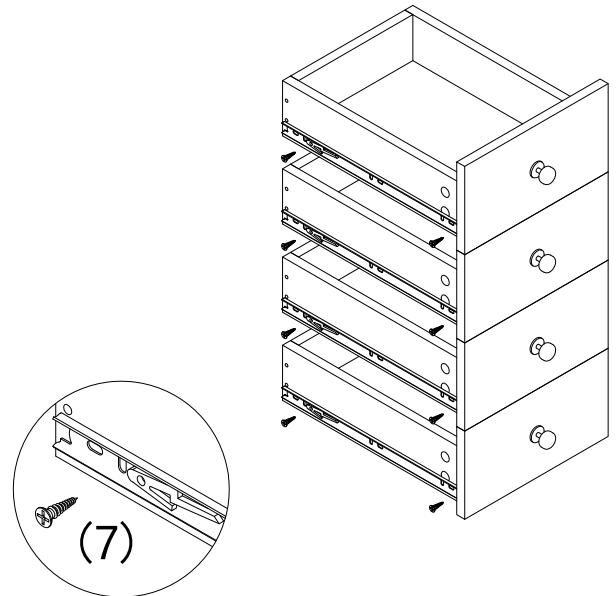
STEP:8



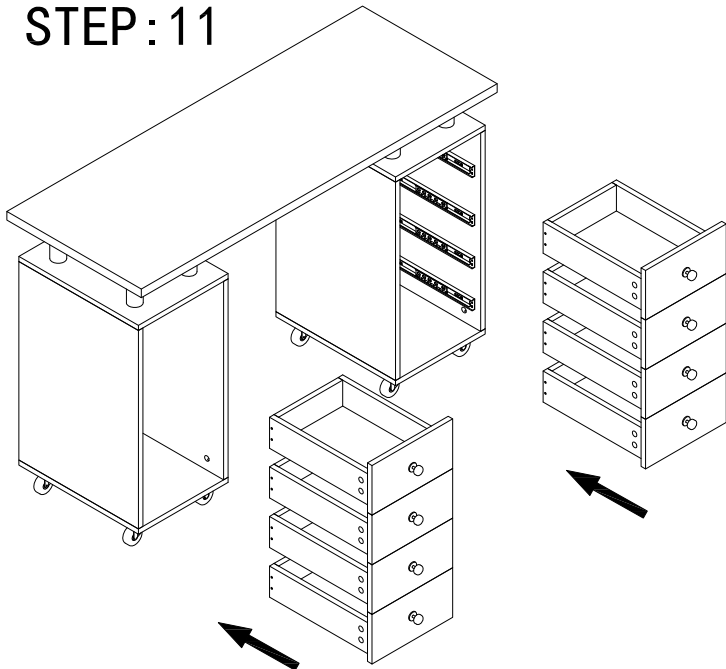
STEP:9



STEP:10



STEP:11



STEP:12

