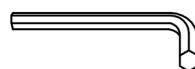


# ASSEMBLY INSTRUCTIONS

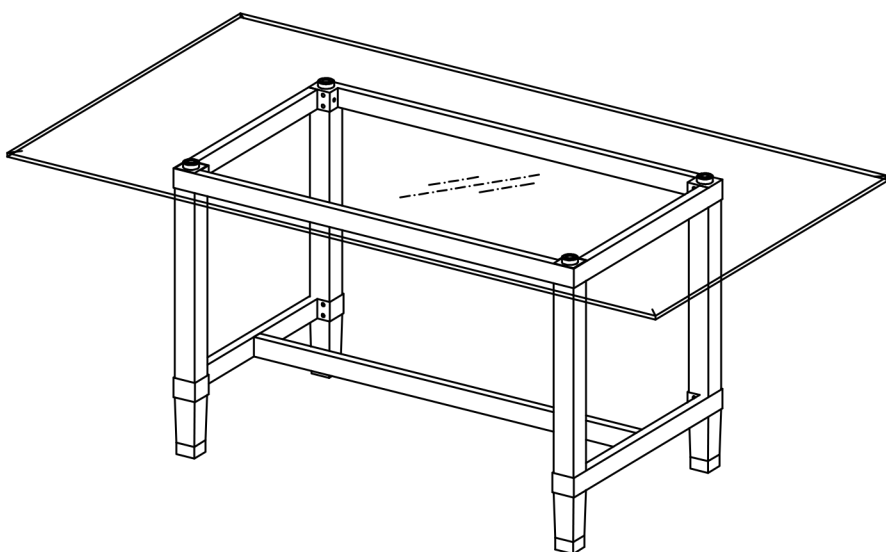
---

## TOOLS REQUIRED



Allen Wrench

(Included)



2 - Persons  
Recommended

## ASSEMBLY RATING



EASY —————> DIFFICULT

The Assembly Rating is a 5-point system showing the level of effort needed to assemble a specific product.



## **CHECK BEFORE STARTING**



### **Are you missing anything?**

Double-check all parts, hardware and accessories listed on Page 6 are accounted for.



### **Check out our Quick Tips!**

We recommend reviewing the pre-assembly handouts. Even experts need a refresher now and then!



### **Prep Time!**

Please review the assembly instructions and all diagrams prior to assembling. Arrange parts as recommended on Page 7 and group identical hardware together to make assembling easier.

# PRE ASSEMBLY INTRODUCTION

We understand building ready-to-assemble furniture can be a challenging experience for some. To help avoid confusion, we have provided some helpful tips that may speed up the process.



## Teamwork

ALWAYS have at least two people to help with transporting and assembling the product to avoid potential injury and/or damage.



## Suitable Location

Assembling near the area of the intended location is highly recommended.



## Sufficient Space

Make sure you have enough space to move around during the assembly.



## Avoid Scratches

Use cardboard, blankets or a carpeted area while assembling furniture to prevent scratches.



## Flat Surface

Make sure the furniture rests on a flat and level surface with each leg evenly touching the floor.

# ASSEMBLY AND CARE ADVICE



**FAILURE TO FOLLOW THE GUIDELINES BELOW MAY  
RESULT IN INJURY AND/OR PROPERTY DAMAGE.**



Position each part correctly  
and insert screws or bolts into  
their respective holes.



Turn clockwise to tighten and  
only tighten when step is  
completed or when instructed  
to do so.



Use the appropriate hand tools  
or power tools for assembly.  
Select steps, such as tightening  
screws and/or bolts, may require  
hand tools to avoid causing  
damage during assembly.



Save the instructions and store  
any supplied tools for later  
maintenance.



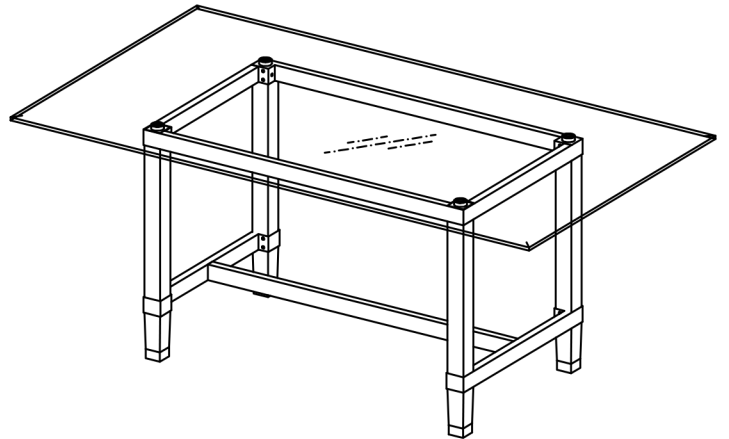
After two weeks, check and  
tighten any loose hardware and  
repeat again every six months  
thereafter.

**IT IS THE USER'S RESPONSIBILITY TO MAINTAIN THE FURNITURE. THE HARDWARE MAY LOOSEN OVER TIME AND MAY CAUSE THE FURNITURE TO BE WOBBLY AND UNABLE TO SUPPORT ITS INTENDED WEIGHT CAPACITY. THIS MAY LEAD TO COLLAPSE AND MAY CAUSE SERIOUS INJURY.**

# TABLE



- Please keep instructions for future reference.
- Check the quantity and irregularity of parts and hardware before you start.



## PARTS

#1 1pc



Glass Top

#2 1pc



Top frame

#3 1pc



Bottom frame

#4 1pc



left-back Leg  
(right-front)

#5 2pcs



left-front Leg  
(right-front)

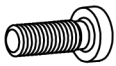
#6 4pcs



Aluminum cake

## HARDWARE

#A 16pcs



Bolt 5/16"x3/4"

#B 16pcs



Spring Washer  
Ø13xØ8.5xt2.0

#C 16pcs



Flat Washer  
Ø16xØ8.5xt1.2

#D 4pcs



Bolt 1/4"x3/4"

#E 4pcs



Spring Washer  
Ø11xØ6.5xt2.0

#F 4pcs



Flat Washer  
Ø16xØ6.5xt1.2

#G 4pcs



Stud Bolt  
1/4"x3/4"

#H 1pc



Allen Wrench  
M5

#I 1pc



Allen Wrench  
M3

#J 1pc

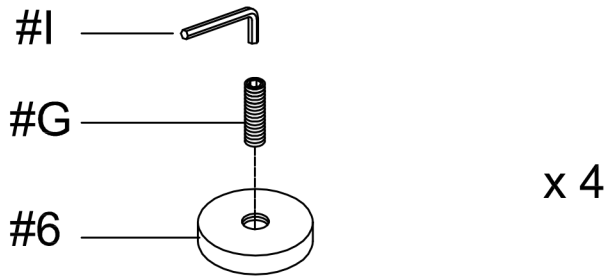


Allen Wrench  
M4

# ASSEMBLY INSTRUCTIONS

## 1

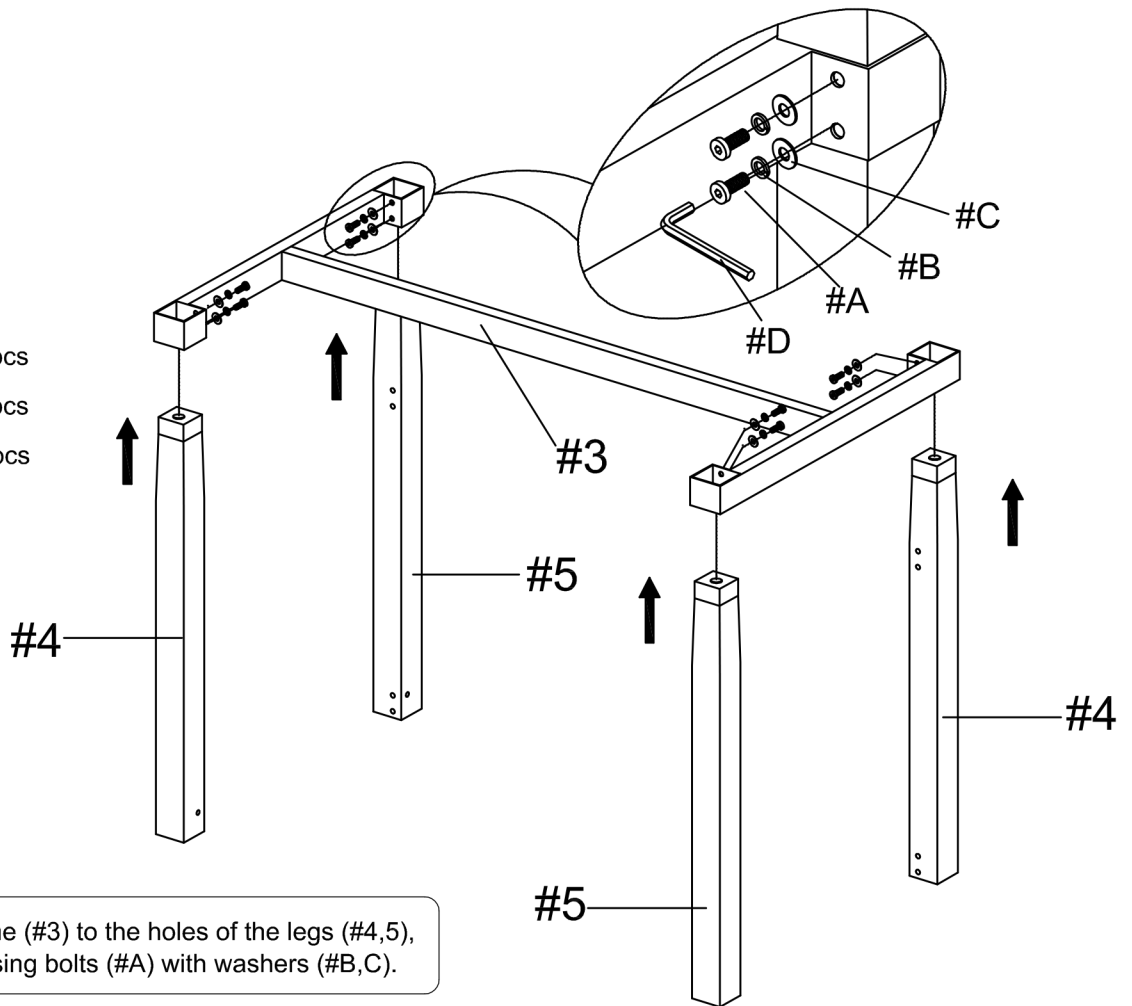
Part #6 x4pcs  
Hardware #G x4pcs



Attach stud bolts (#F) to aluminum (#6).

## 2

Part #3 x1pc  
Part #4 x2pcs  
Part #5 x2pcs  
Hardware #A x8pcs  
Hardware #B x8pcs  
Hardware #C x8pcs



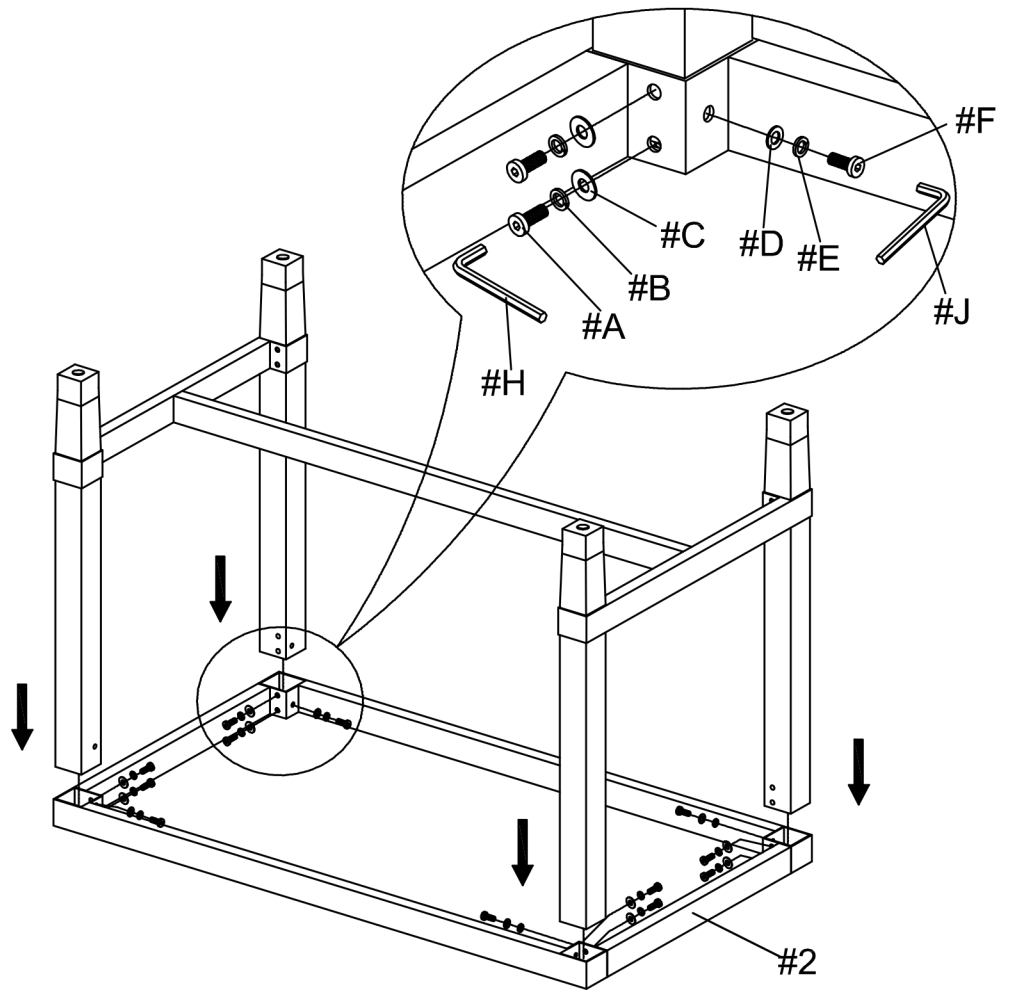
Align bottom frame (#3) to the holes of the legs (#4,5), then secure by using bolts (#A) with washers (#B,C).

# ASSEMBLY INSTRUCTIONS

## 3

- Part #2 x1pc
- Hardware #A x8pcs
- Hardware #B x8pcs
- Hardware #C x8pcs
- Hardware #D x4pcs
- Hardware #E x4pcs
- Hardware #F x4pcs

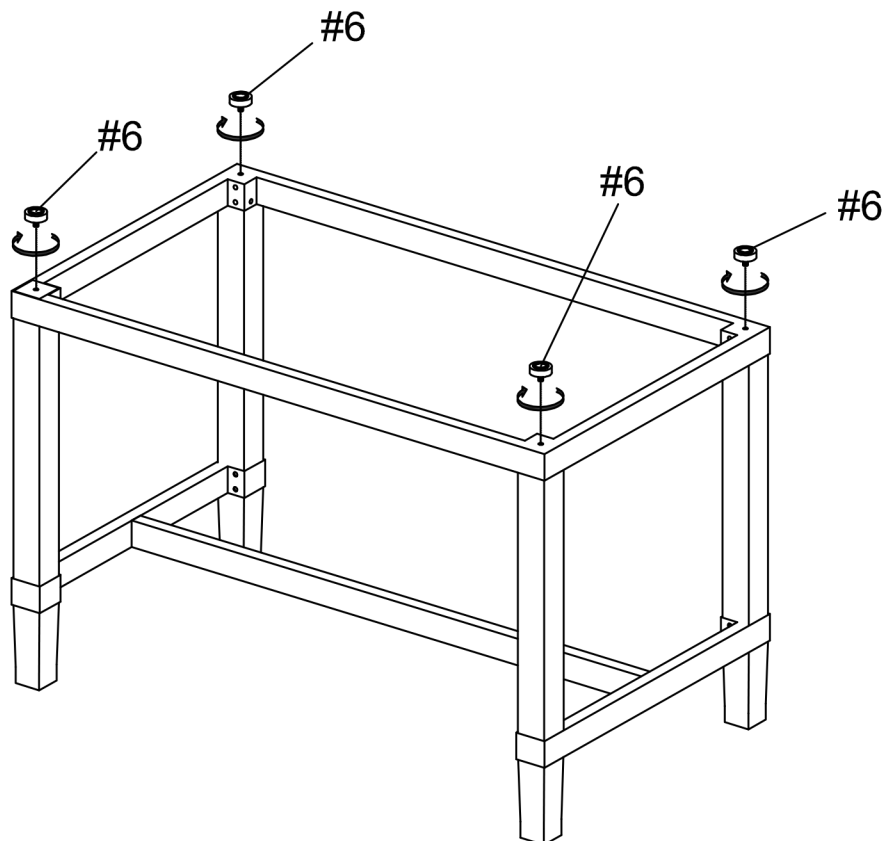
Align legs to the top frame (#2), then secure by using bolts (#A) with washers (#B,C).



## 4

- Part #6 x4pcs

Attach aluminum (#6) to the top frame.

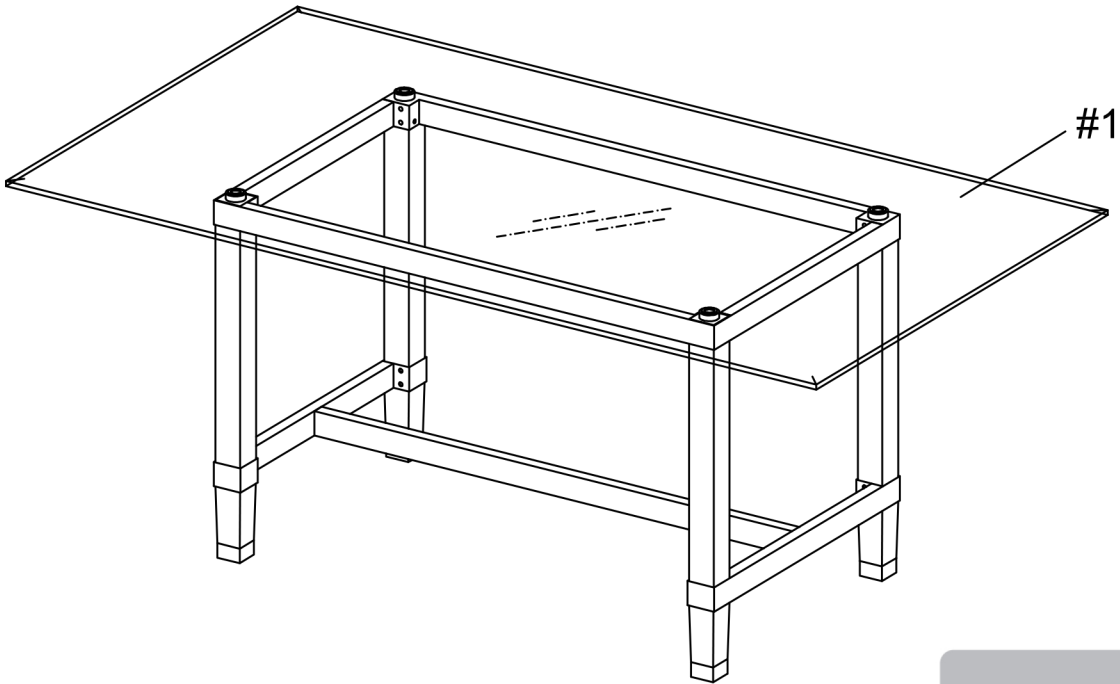


# ASSEMBLY INSTRUCTIONS

4

Part #1 x1pc

Carefully place glass (#1) onto aluminum.



## ASSEMBLY COMPLETED



Please ensure the furniture rests on an even and flat surface. If the product wobbles or feels loose, double-check all bolts and/or screws are properly tightened and secured.

### ✓ **Keep this handy!**

Please retain this instruction manual and any order-related information for future reference.