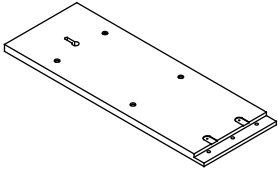
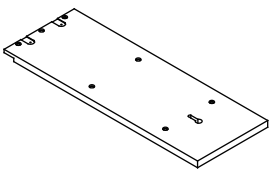
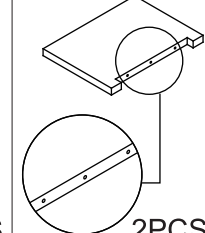
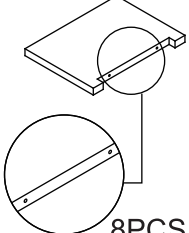








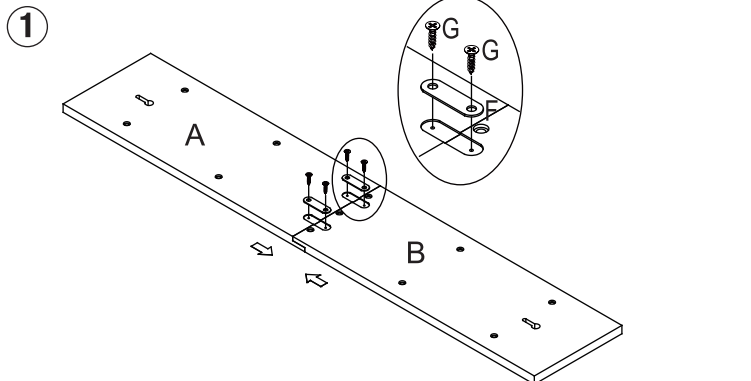


Tool(s) Recommended: Electric Drill

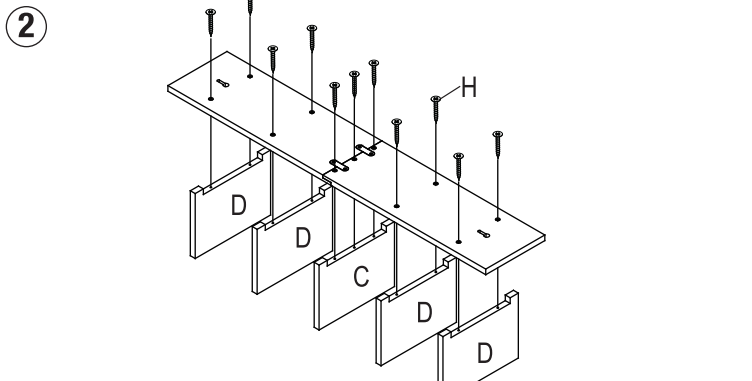
A Top Board  2PCS	B Bottom Board  2PCS	C Middle Shelf  2PCS	D Shelf Board  8PCS	E Wall Anchor  4PCS	F Metal Plate  4PCS	G Plate Screw  8PCS	H Shelf Screw  26PCS	I Hook  4PCS	J Screwdriver  1PC	K Level  1PC	L Paper Template  1PC
--	--	--	--	---	---	---	--	--	--	--	---

1



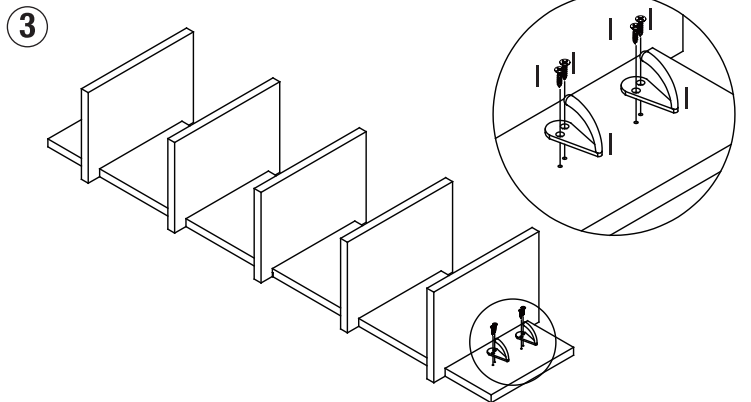
Step 1: Secure top board (A) to bottom board (B) using metal plate (F) and plate screws (G).

2



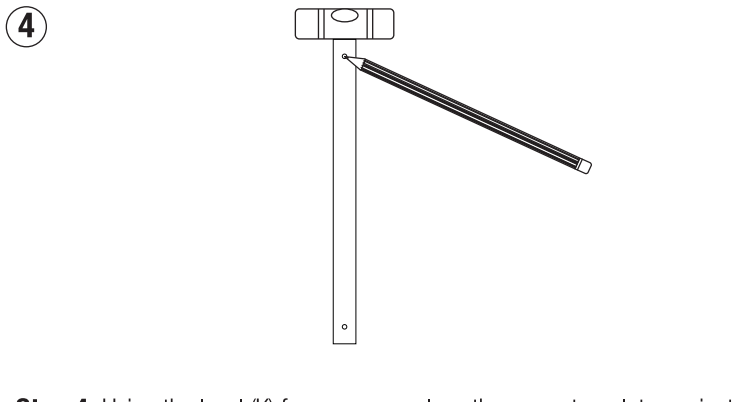
Step 2: Secure shelf board (D) and middle shelf (C) to boards using shelf screw (H).

3



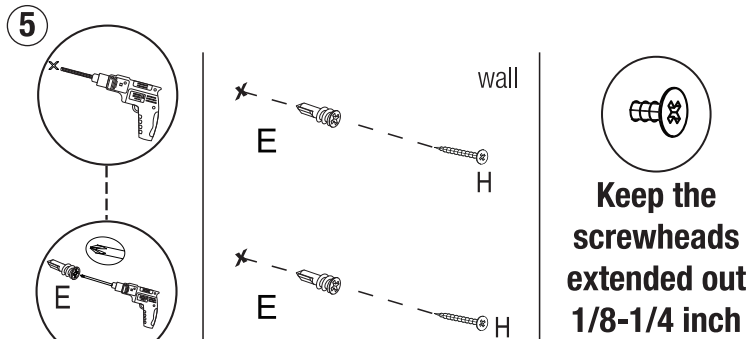
Step 3: Secure hooks (I) to board (D) using screws (I).

4



Step 4: Using the level (K) for accuracy, place the paper template against the wall where you want the shelf to hang. Mark each hole with a pencil.

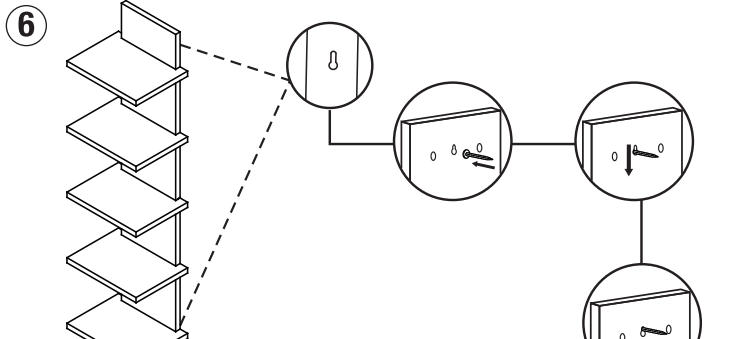
5



Step 5: Drill holes into the marked areas with the twist drill bit. Then drill all wall anchors (E) into place. Install screws (H) into the wall anchors (E) leaving 0.125" to 0.25" to hang the shelf on.

Keep the screwheads extended out 1/8-1/4 inch

6



Step 6: Hang assembled self onto the installed screws (H) and pull down to secure. You can start using the shelf.