

NOTICE

- * Please make sure that you have all parts indicated and they are in good condition before you begin assembly of this item. Refer to part list and hardware list below for guidance.
- * This item should be assembled on a soft surface to prevent scratching the finish during assembly.
- * This item may require periodic tightening.
- * If you are having difficulty, our friendly Customer Care team is always here to help. Please

email customersupport@safavieh.com

PREPARATION







- * Before beginning assembly of product, make sure all parts are present. Compare parts with part contents list and hardware contents list.
- * If any part is missing or damaged, do not attempt to assemble the product.
- * Estimated Assembly Time: **10 minutes**
- * Tools Required for Assembly (included): **Allen Key**

CARE AND MAINTENANCE

Blot up spills immediately, use coasters on table tops under beverages. Use trivets or mats under hot dishes or cookware. Clean with warm water and dry surface immediately after cleaning. Do not use cleaners that contain acid such as bathroom cleaners, grout cleaner, and tile cleaners. Do not use abrasive cleaners in either dry or liquid forms. Use a cleaner and polish formulated for marble surfaces.

Wipe spills immediately. Maintain with regular dusting and clean with mild soap and water, dry thoroughly and do not use a brass cleaner. Adhesive felt pads should always be used/applied in order to prevent damage to the furniture or surfaces on which the furniture is placed

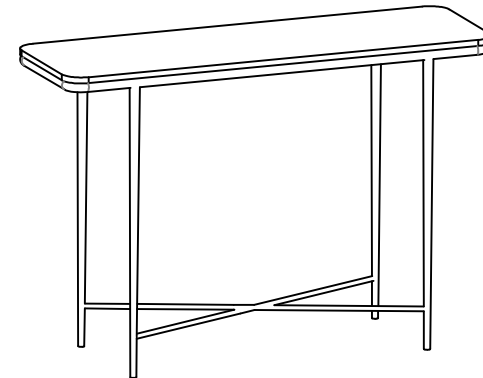
Part List and Hardware List

PIECE	DESCRIPTION	PICTURE	QUANTITY
A	TOP		1X
B	LEG		2X
C	STRECHER		1X
HW1	BOLT M6X12MM		12X
HW2	FLAT WASHER : M6 x 18 MM		8X
HW3	ALLEN KEY 4MM		1X



MODEL#CNS3710A

PRODUCT DIMENSION :41.5"W X 11.5"D X 30"H



WARNING

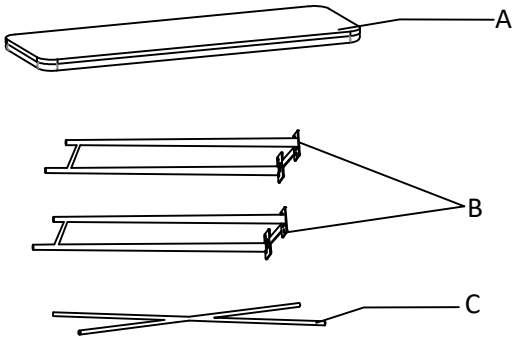
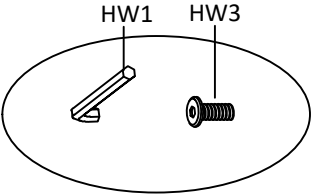
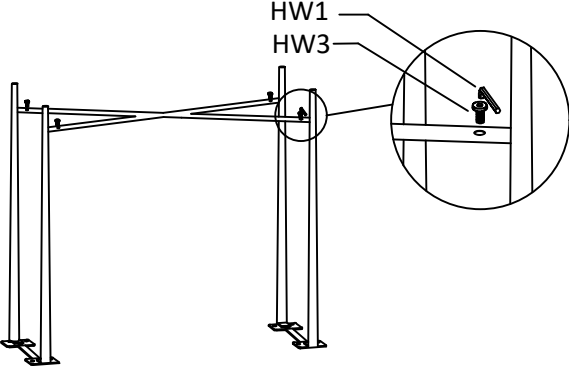
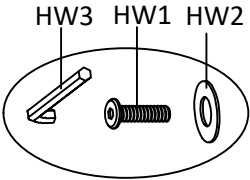
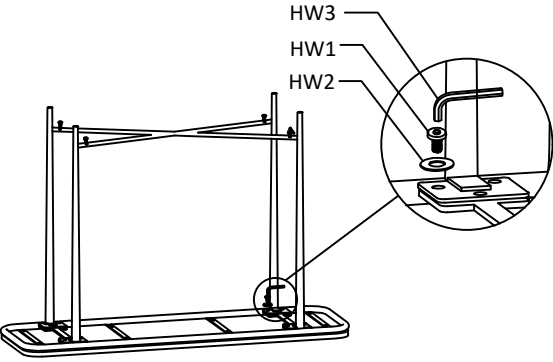
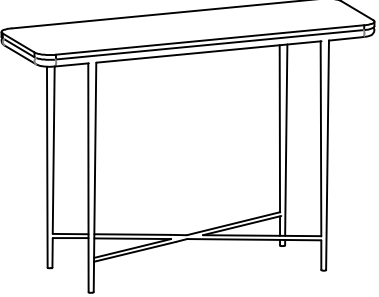
WEIGHT CAPACITY : 45 LBS

WARNING : DO NOT OVER TORQUE BOLTS/SCREWS .

WARNING : DO NOT STAND ON THE CONSOLE TABLE.

PREPARATION

- * Before beginning assembly of product, make sure all parts are present. Compare parts with part contents list and hardware contents list.
- * If any part is missing or damaged, do not attempt to assemble the product.
- * Estimated Assembly Time: 10 minutes.
- * Tools Required for Assembly (included): Allen Key
- * If you are having difficulty, our friendly Customer Care team is always here to help. Please email customersupport@safavieh.com

		
<p>STEP 1: OPEN THE ZIPPER ATTACHED ON THE CARTON AND TAKE OUT UPHOLSTERY TOP (A) ,LEGS (B) , STRECHER (C) & HARDWARE BAG FROM THE CARTON.</p>	<p>STEP2: PUT THE BOLT (HW3) & ALLEN KEY (HW1) ON THE BOLT IN THE ORDER SHOWN IN THE ABOVE PICTURE.</p>	<p>STEP 3: THERE AFTER SCREW BOLTS ALIGNED ON THE STRETCHER & TIGHTEN THEM USING ALLEN KEY AS SHOWN IN THE ABOVE PICTURE.</p>
		
<p>STEP 2: PUT THE WASHER (HW2) ON THE BOLT (HW1) & ALLEN KEY (HW3) ON THE BOLTS IN THE ORDER SHOWN IN THE ABOVE PICTURE.</p>	<p>STEP 5: THERE AFTER SCREW BOLTS ALIGNED ON THE TOP ON THE LEGS AS SHOWN IN THE ABOVE PICTURE.</p>	<p>STEP 6: FINAL ASSEMBLED PIECE & IT IS READY TO USE.</p>