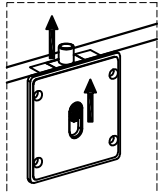
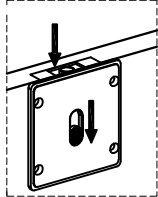


ASSEMBLY INSTRUCTIONS & PARTS IDENTIFICATION

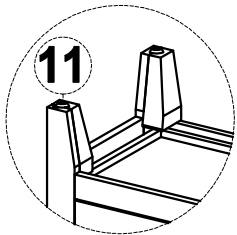
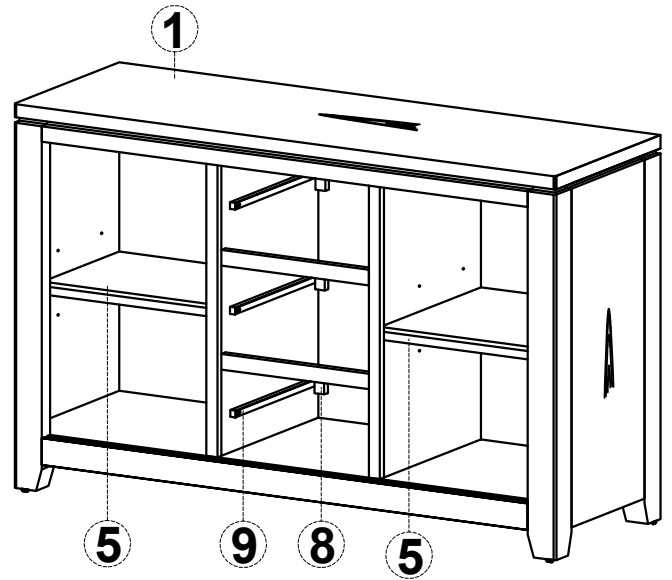
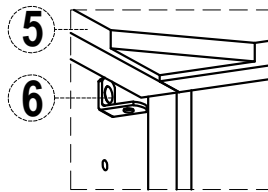
Thank you for purchasing this quality product. Be sure to check all packing material carefully for small parts that may have come loose inside the carton during shipment.



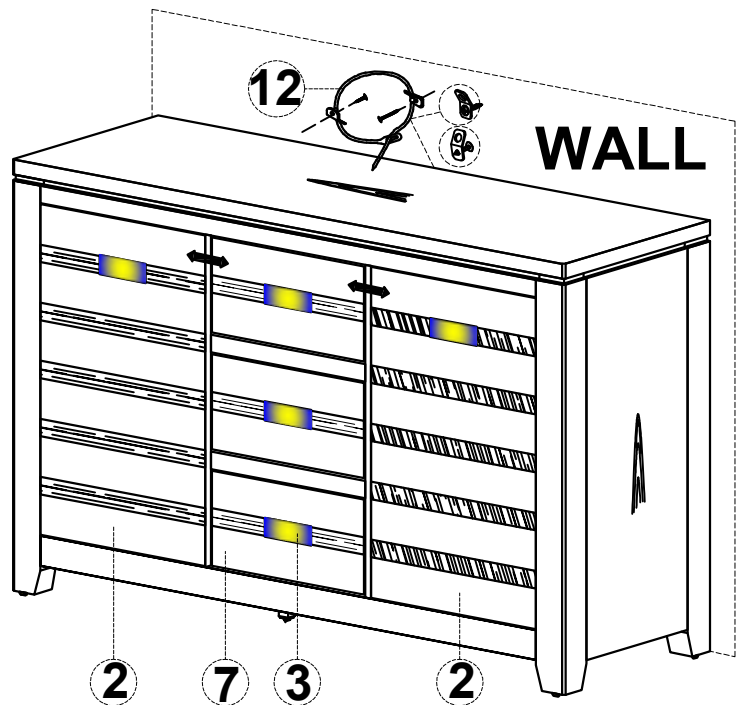
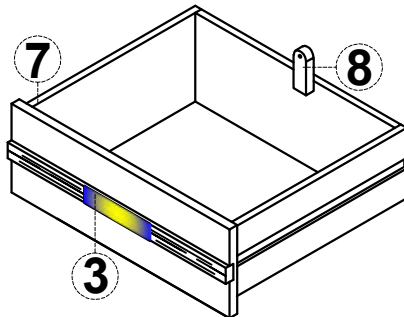
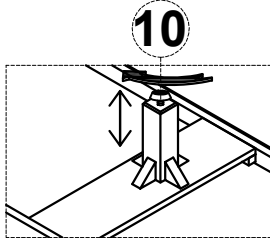
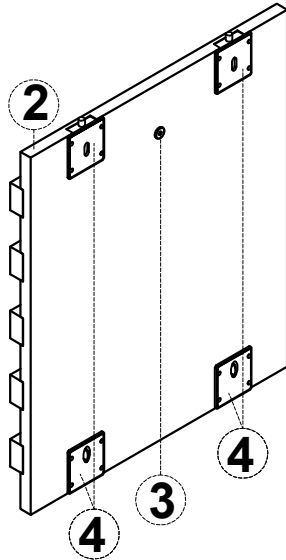
TO REACTIVATE DOOR PIN, PRESS THE BUTTON WHEN IN THE BOTTOM POSITION



TO RELEASE DOOR PIN, MOVE THE BUTTON TO THE BOTTOM POSITION



2 x



PLEASE NOTE :

To help prevent the possibility of tip-over. Install the ANTI- TIP OVER restraint provided.