

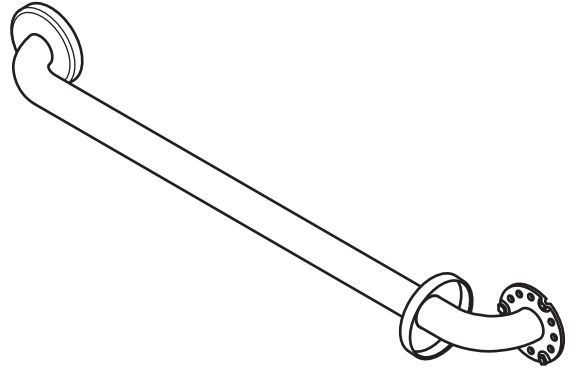
Easy Mount™

Grab Bars

Technical Data Sheet

Product Specification

The product feature a multi-hole flange to allow versatility for mounting screws. All components of the product shall be constructed of #304 stainless steel, suitable for use in wet environments. The product shall be constructed of 1.25" / 32mm tubing. The product shall have a weight capacity of 500lbs/ 227kgs (12, 18, 24 lengths) or 400lbs/181kgs (32, 36, 42 lengths). The product shall be HealthCraft Products model GB-___ (see table below for appropriate product code).



Key Features

- #304 Stainless Steel Construction
- Suitable For Use in a Wet Environment
- Flange Covers that Conceal Mounting Hardware
- ADA Compliant Weight Capacity

Codes and Standards

- ADA 609.2 Cross Section
- ADA 609.3 Spacing
- ADA 609.8 Structural Strength



Specified Model

Model	LENGTH	AA - FINISH	MATERIAL
GB-12-AA	12" / 305mm	CP (Polished Chrome)	#304 Stainless Steel
GB-18-AA	18" / 457mm	BS (Brushed Stainless)	
GB-24-AA	24" / 610mm	BLK (Matte Black)	
		ORB (Oil Rubbed Bronze)	
		SW (Smooth White)	
		SK (Knurled Stainless)	
GB-32-AA	32" / 813mm	SW (Smooth White)	
GB-36-AA	36" / 914mm	SK (Knurled Stainless)	
GB-42-AA	42" / 1067mm	SK (Knurled Stainless)	

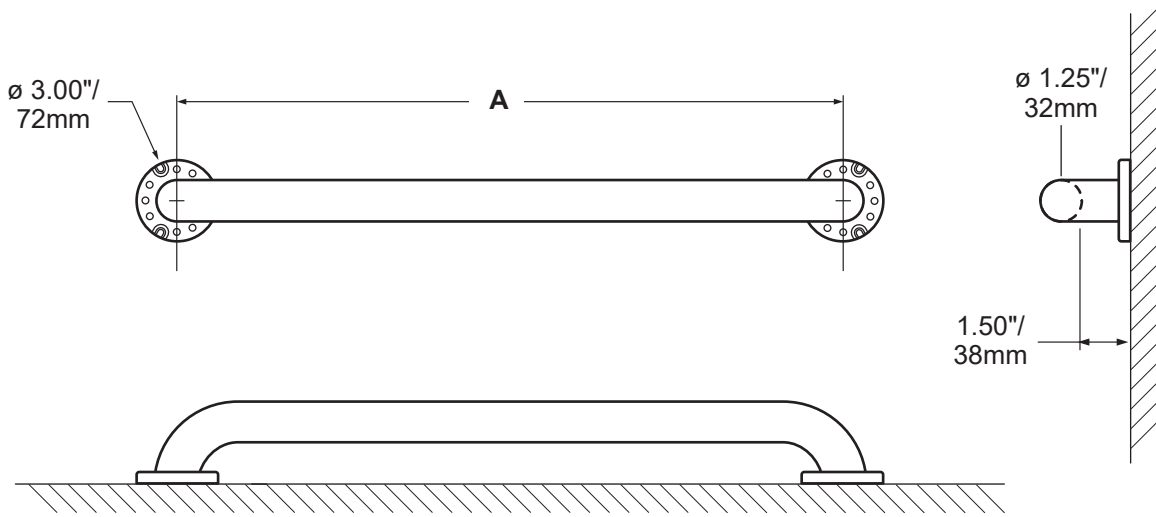
Easy Mount™

Grab Bars

Technical Data Sheet

Product Dimensions

Model	A (Center Spacing)	Weight
12	11.5" / 292mm	3lbs / 1.4kgs
18	17.5" / 445mm	3lbs / 1.4kgs
24	23.5" / 597mm	4lbs / 1.8kgs
32	31.5" / 800mm	4lbs / 1.8kgs
36	35.5" / 902mm	4lbs / 1.8kgs
42	41.5" / 1054mm	4lbs / 1.8kgs



Material Thickness

Tube Thickness: 0.049" / 1.25mm (approx)

Plate Thickness: 0.090" / 2.27mm (approx)

Cover Thickness: 0.030" / 0.76mm (approx)