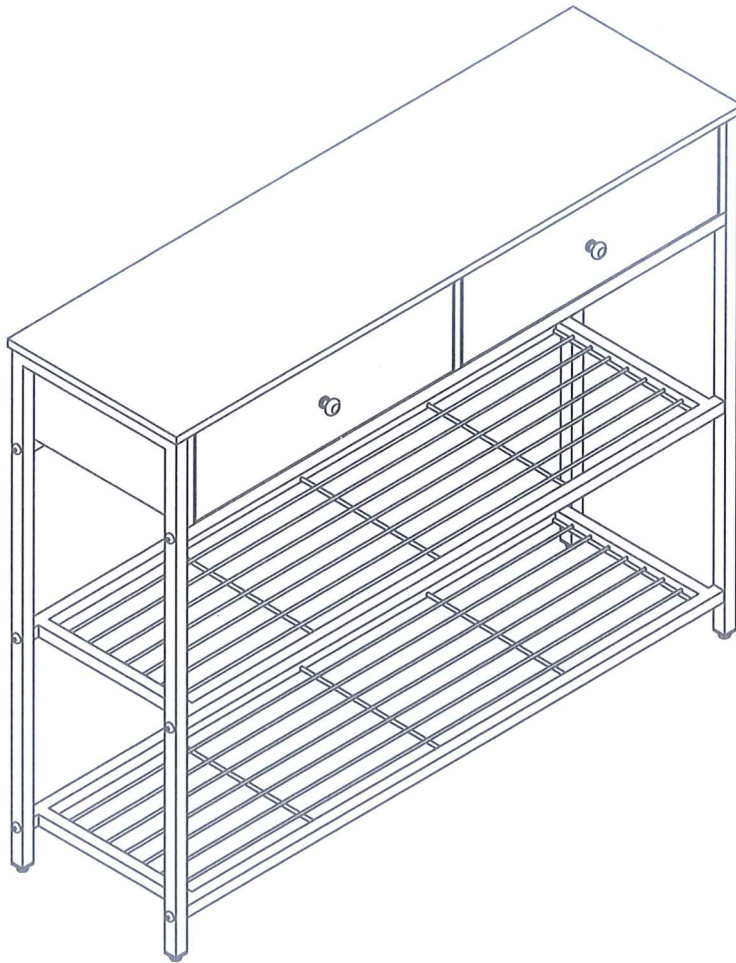


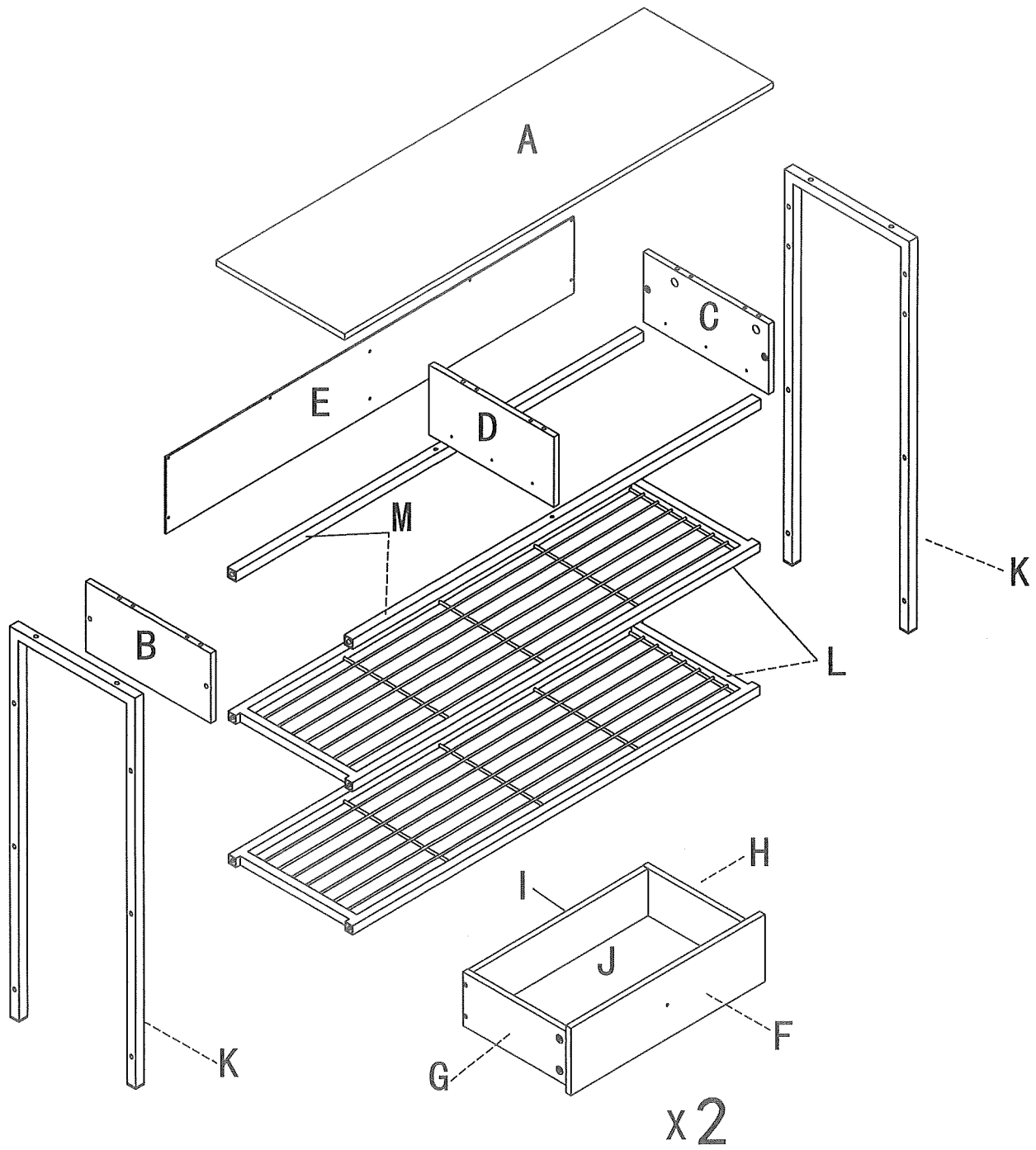
Console table>Manual

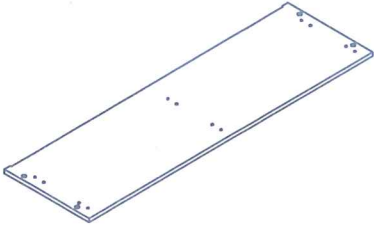
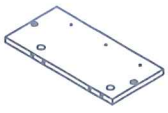
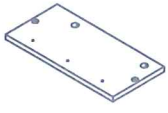
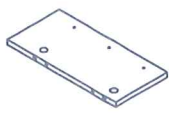


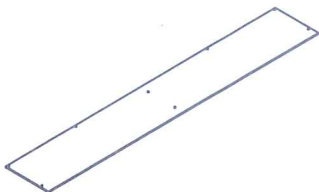
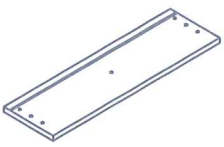
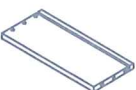

Thank you for purchase on our products. Please contact us if you have difficulty with assembly or need replacement parts. Our customer service is here to assist you. Please attach your User Name or Order ID so that we can assist you better.

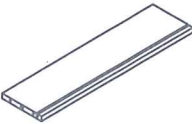
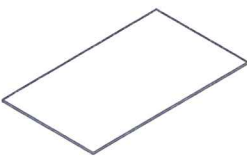
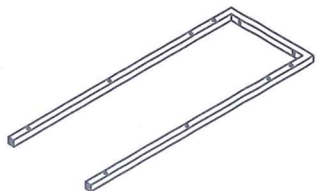
Vielen Dank für Ihren Kauf von uns Produkten. Bitte kontaktieren Sie uns, wenn Sie Probleme mit Montage haben oder Ersatzteile benötigen. Wir Kundenservice ist für Sie da. Bitte geben Sie Ihren Benutzernamen oder Ihre Bestellnummer an, damit wir Sie besser unterstützen können.

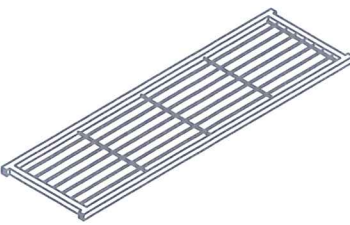

WARNING Serious or fatal injury may occur from unexpected assembly or use. 1. During the assembly process, keep all parts away from babies or children. 2. Always securely fix this product to the wall. Make sure the wall area to be drilled is free from hidden electrical wires, water and gas pipes. 3. Use of tip-over restraints may only reduce, but not eliminate the risk of tip-over. 4. Unless specially designed to accommodate, do not set heavy objects on top of this product. 5. Place the heaviest items on the lowest shelf. 6. Never allow children to climb or bang on drawers, doors or shelves.









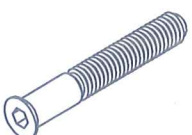





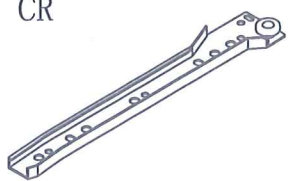
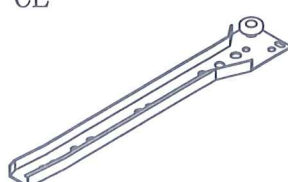
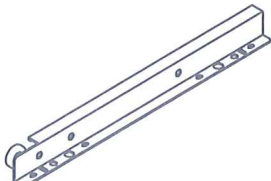
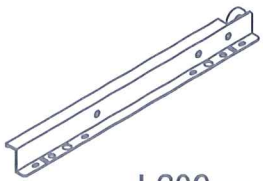


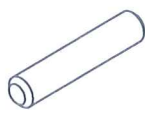

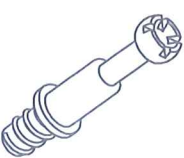

<p>A 1PC</p> 	<p>B 1PC</p> 	<p>C 1PC</p> 	<p>D 1PC</p> 
---	--	---	--

<p>E 1PC</p> 	<p>F 2PCS</p> 	<p>G 2PCS</p> 	<p>H 2PCS</p>  <p>抽右侧板</p>
---	---	--	---

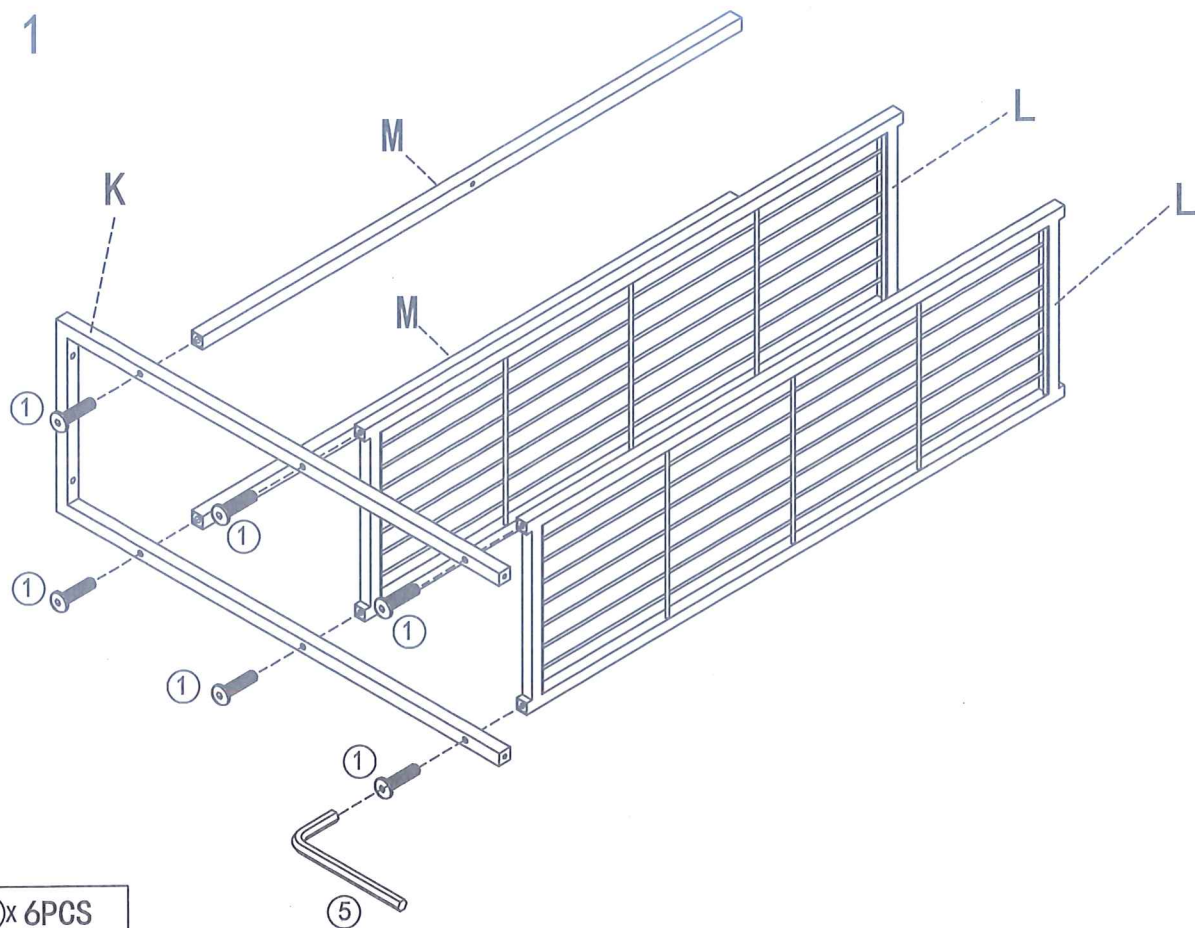
<p>I 2PCS</p> 	<p>J 2PCS</p> 	<p>K 2PCS</p> 
---	---	---



<p>L 2PCS</p> 	<p>M 2PCS</p> 	
---	--	--

--	--	--

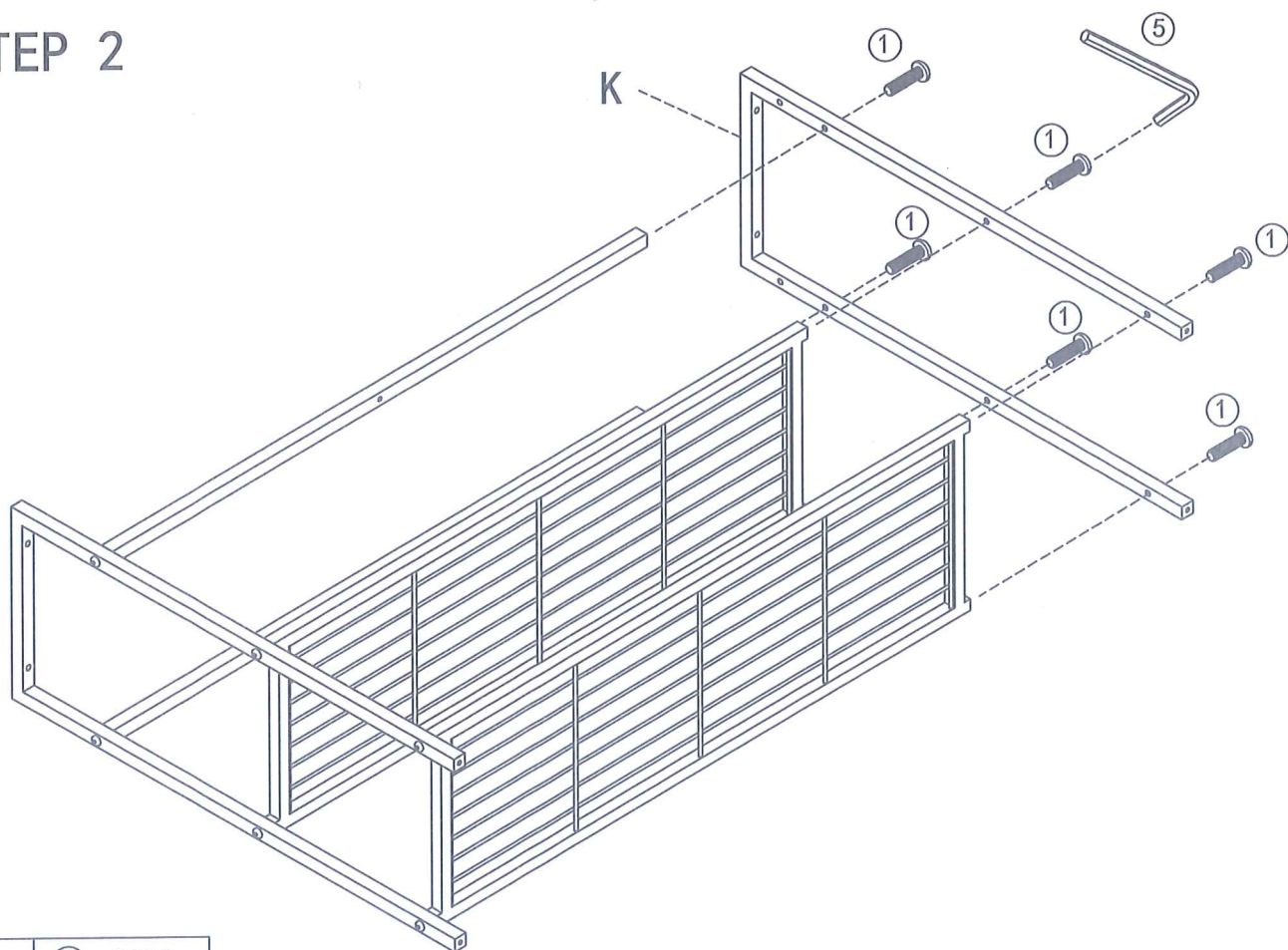
<p>① 16+1PCS</p>  <p>M6*28mm</p>	<p>② 4PCS</p>  <p>M6*15mm</p>	<p>③ 2PCS</p> 	<p>④ 2PCS</p> 
<p>⑤ 1PC</p>  <p>M4</p>	<p>⑥ 1PC</p>  <p>M3</p>	<p>⑦ 2PCS</p>  <p>φ4.5*50mm</p>	<p>⑧ 20*2PCS</p>  <p>M3.5*12mm</p>
<p>⑨ 1PC</p>  <p>200*20mm</p>	<p>⑩ 1PC</p> 	<p>⑪ 1PC</p>  <p>M4*30mm</p>	<p>⑫ 1PC</p>  <p>M4*16mm</p>
<p>⑬ 2PCS CR</p>  <p>L300mm</p>	<p>⑭ 2PCS CL</p>  <p>L300mm</p>	<p>⑮ 2PCS DR</p>  <p>L300mm</p>	<p>⑯ 2PCS DL</p>  <p>L300mm</p>
<p>⑰ 7+1PCS</p>  <p>φ3.5*12mm</p>	<p>⑱ 4PCS</p>  <p>M6</p>	<p>⑲ 14+1PCS</p>  <p>φ6*30mm</p>	<p>⑳ 8PCS</p>  <p>M4*35mm</p>
<p>㉑ 14+1PCS</p>  <p>M6*32mm</p>	<p>㉒ 14+1PCS</p>  <p>φ15*9mm</p>		



STEP 1



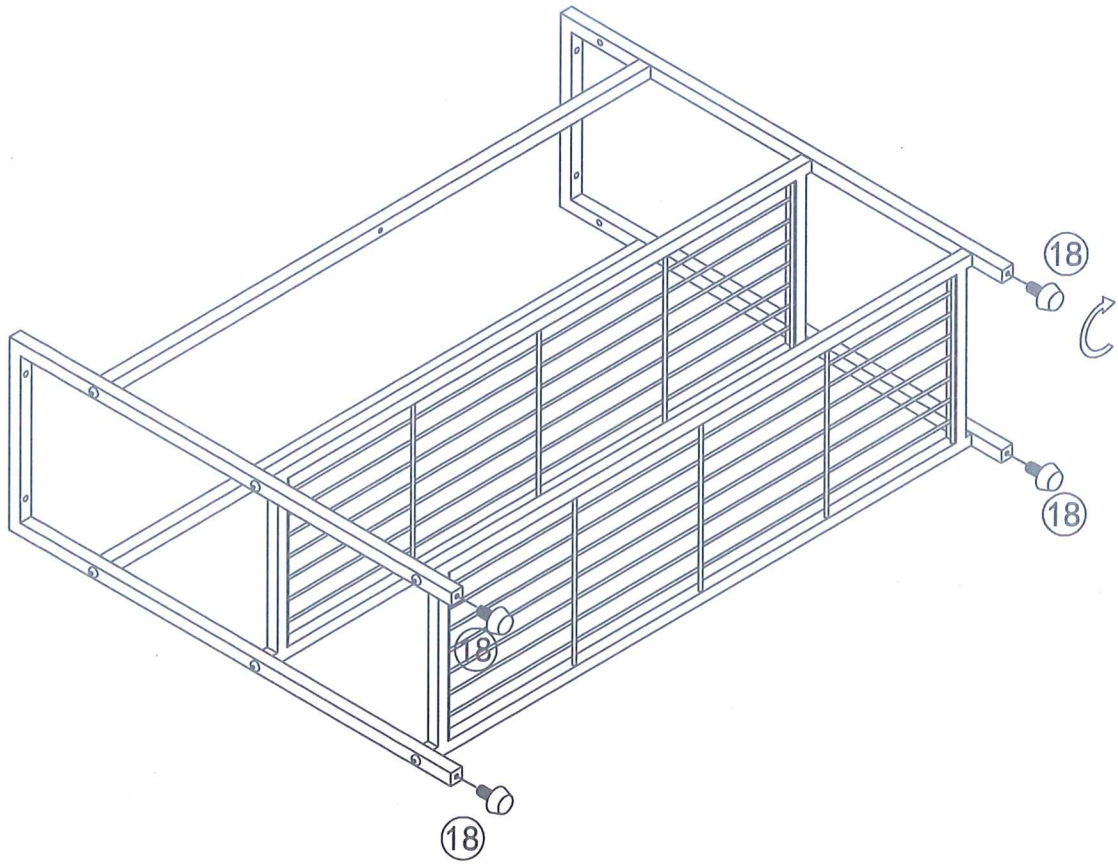
	①x 6PCS
	⑤x 1PC

STEP 2



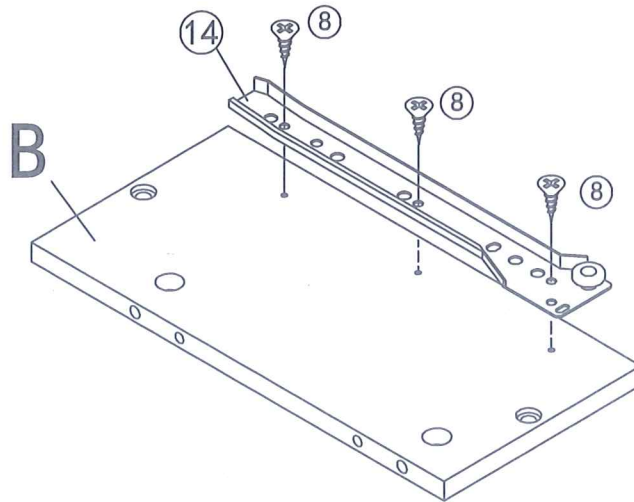
	①x 6PCS
	⑤x 1PC

STEP 3



18 x 4PCS

STEP 4

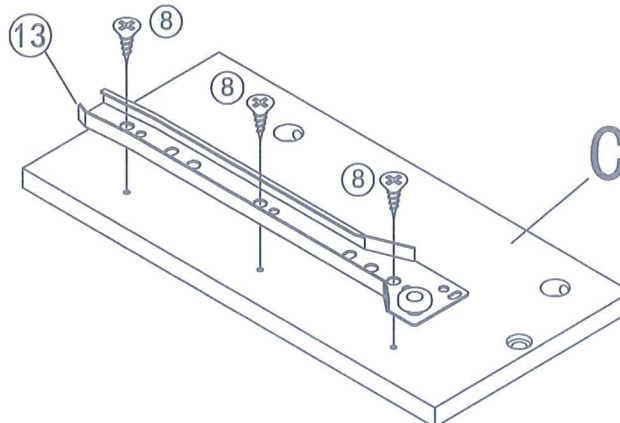


8 x 3PCS



14 x 1PC

STEP 5

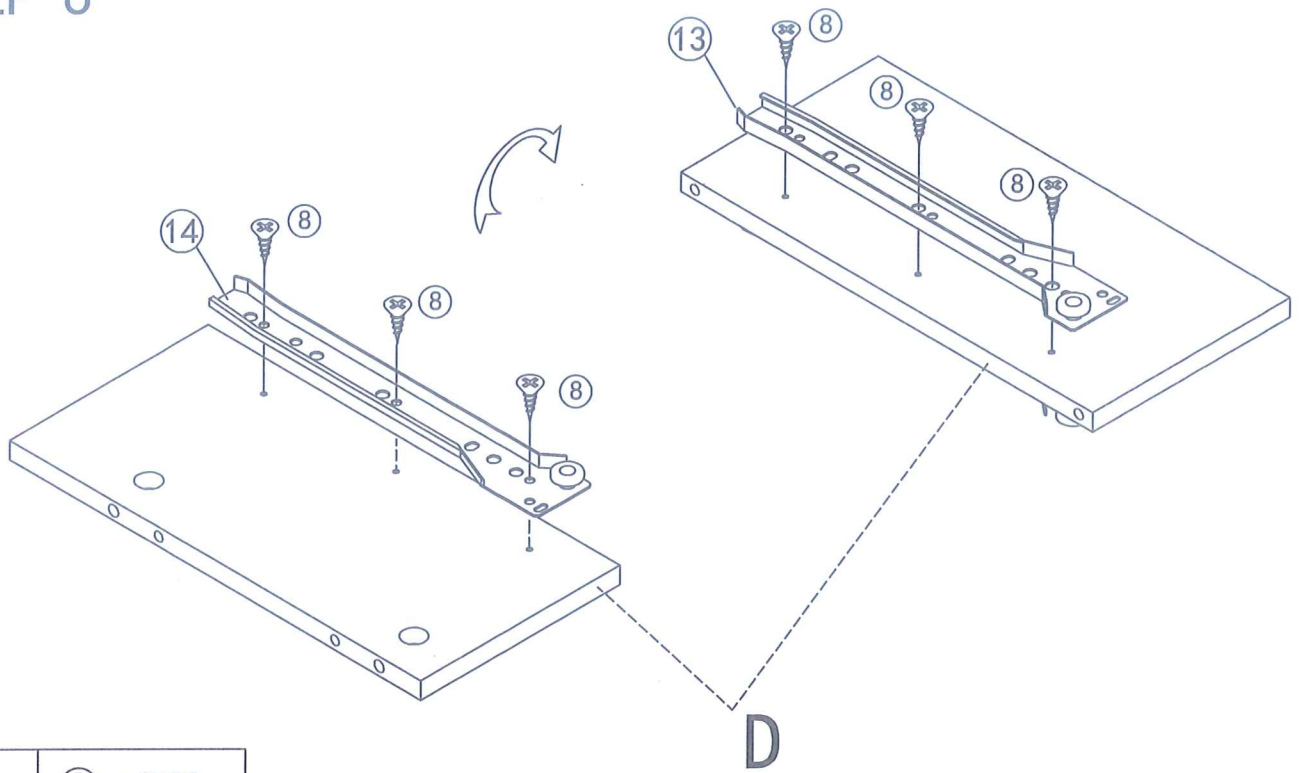





8 x 3PCS



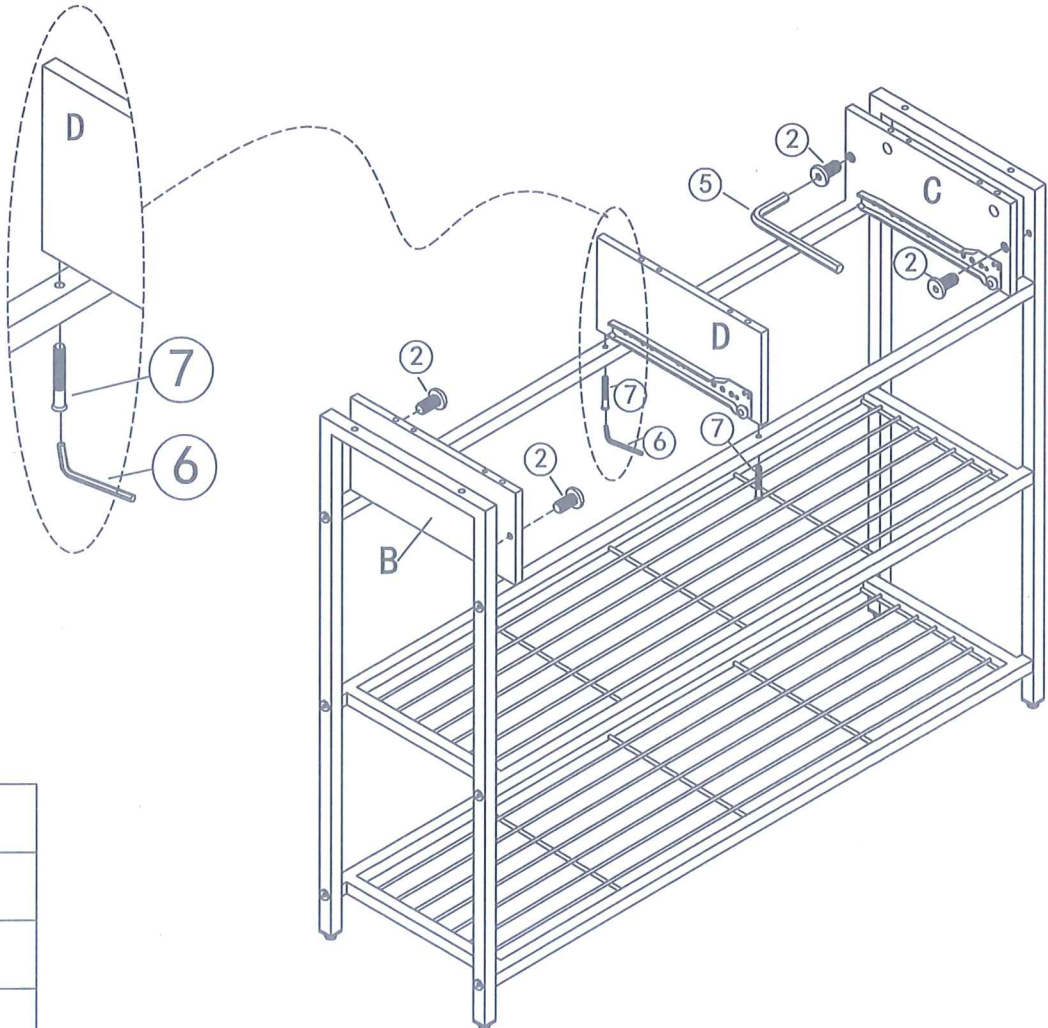
13 x 1PC





STEP 6



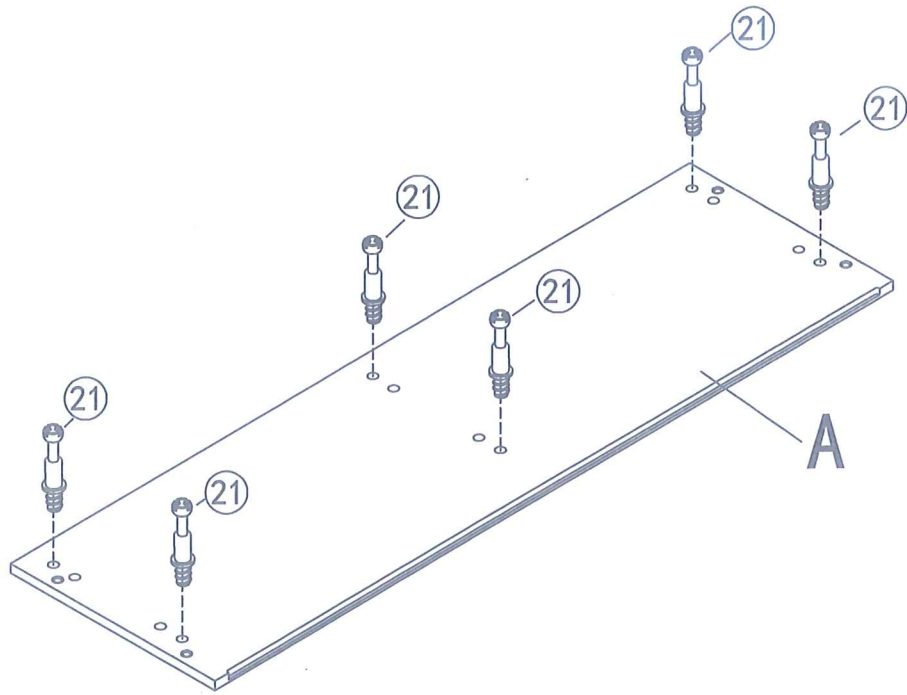
	⑧ x 6PCS
 CR	⑬ x 1PC
 CL	⑭ x 1PC

STEP 7



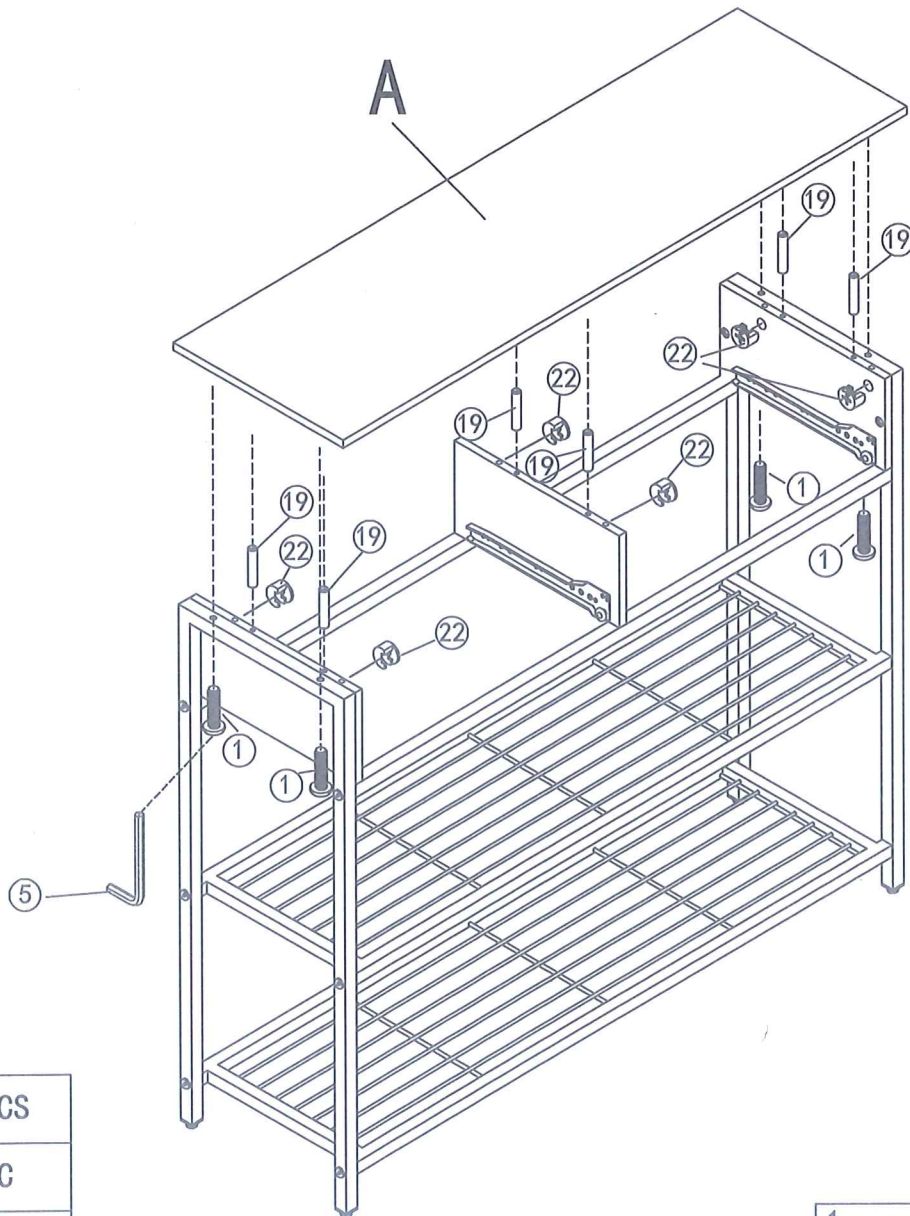
	② x 4PCS
	⑤ x 1PC
	⑥ x 1PC
	⑦ x 2PCS





STEP 8

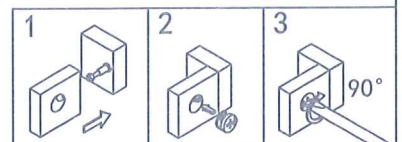


 (21) x 6PCS

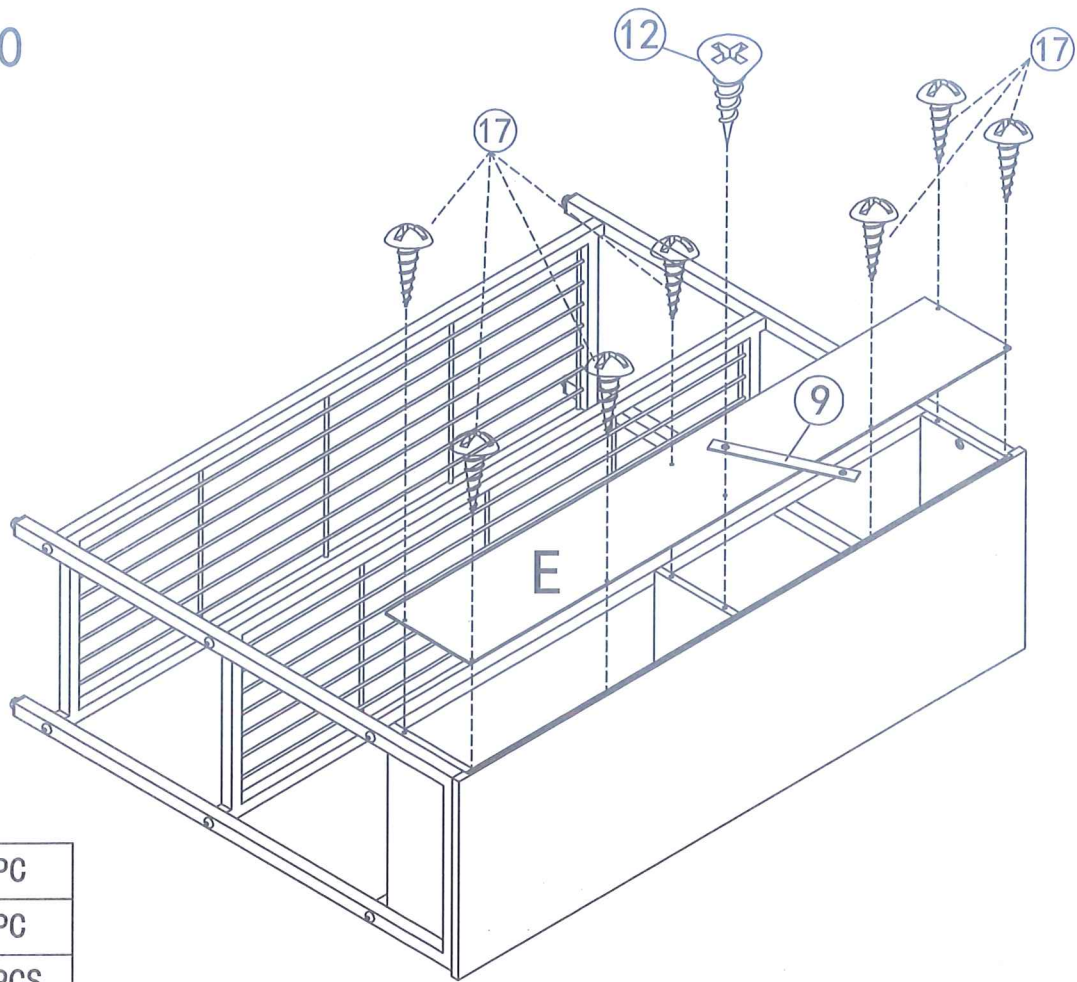
STEP 9






	(1) x 4PCS
	(5) x 1PC
	(19) x 6PCS
	(22) x 6PCS

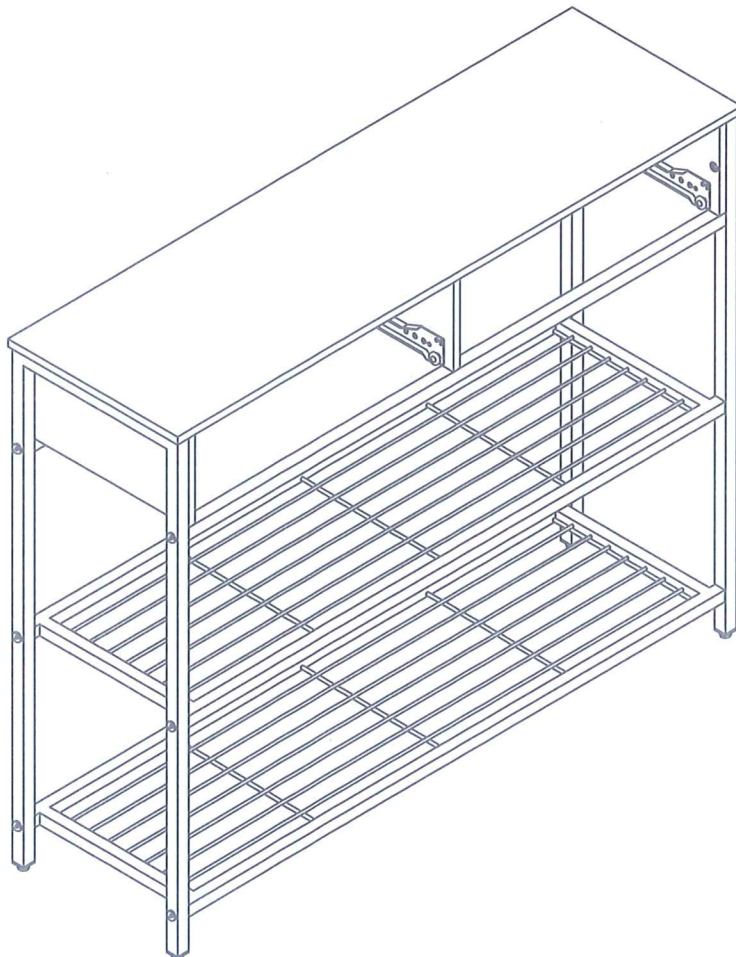


STEP 10

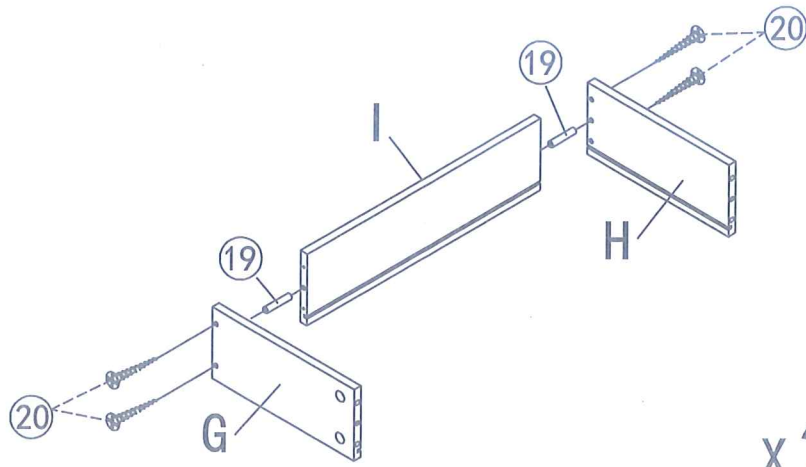


	⑨ x 1PC
	⑫ x 1PC
	⑰ x 7PCS

STEP 11



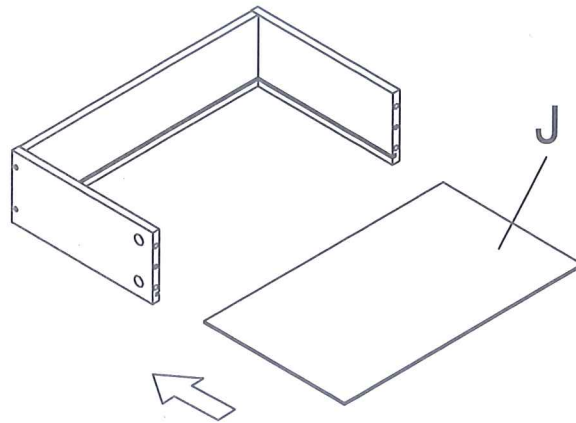
STEP 12



x2

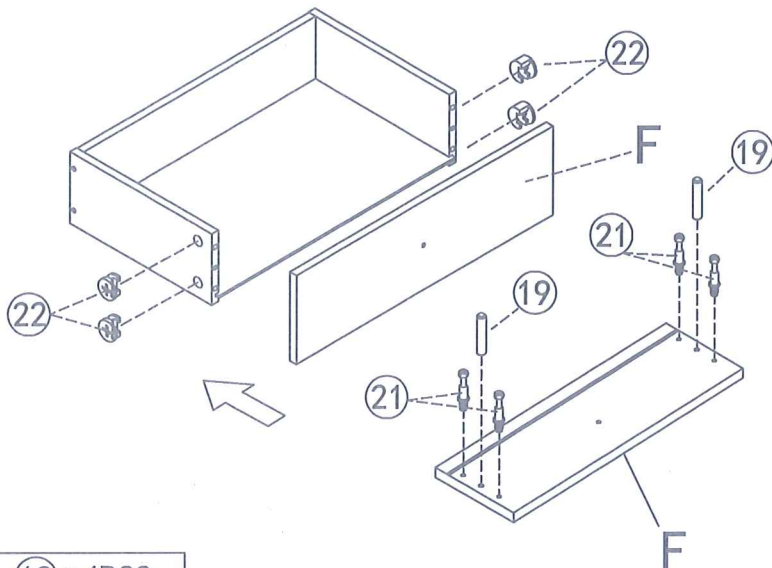
	(19) x 4PCS
	(20) x 8PCS

STEP 13






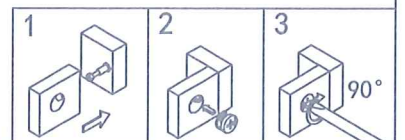
x2

STEP 14

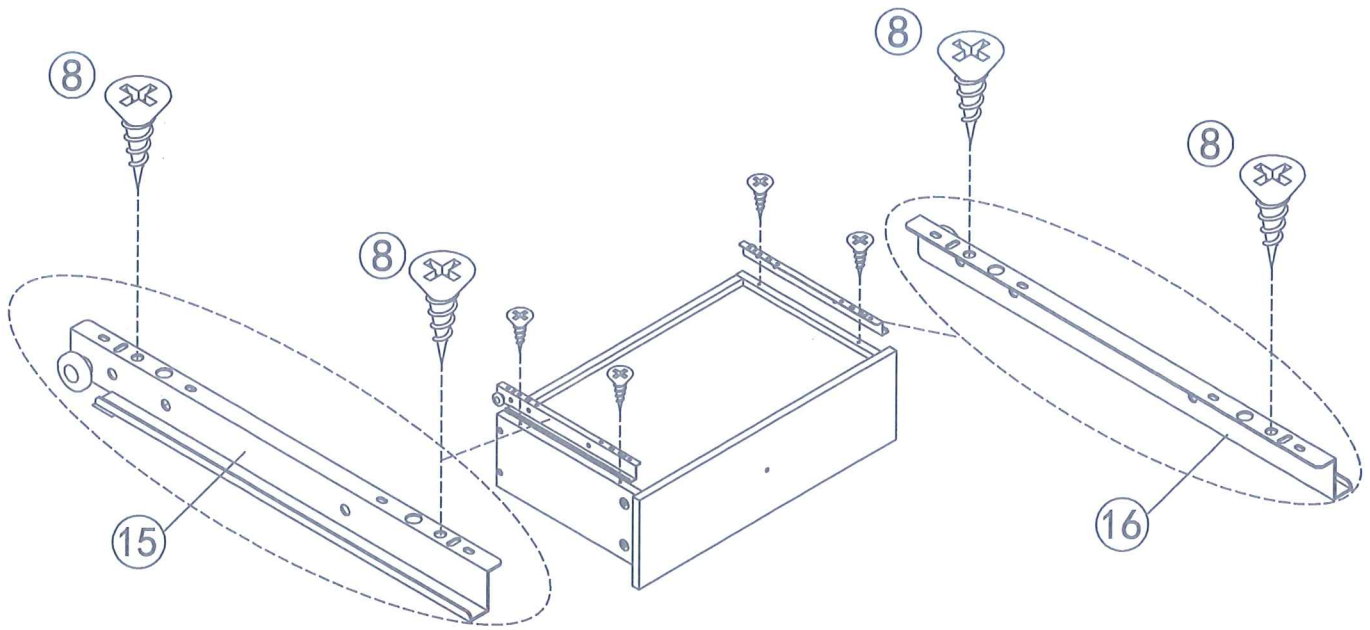


x2




	(19) x 4PCS
	(21) x 8PCS
	(22) x 8PCS



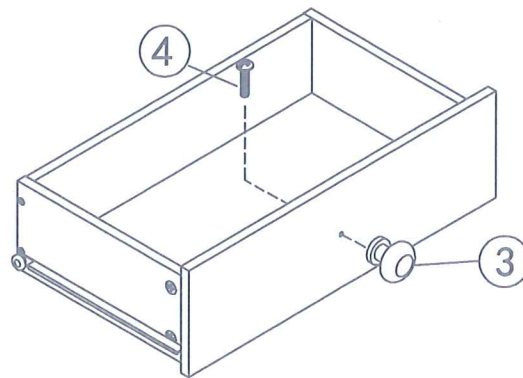
STEP 15





x2

 DR	⑮ x 2PCS
 DL	⑯ x 2PCS
	⑧ x 8PCS

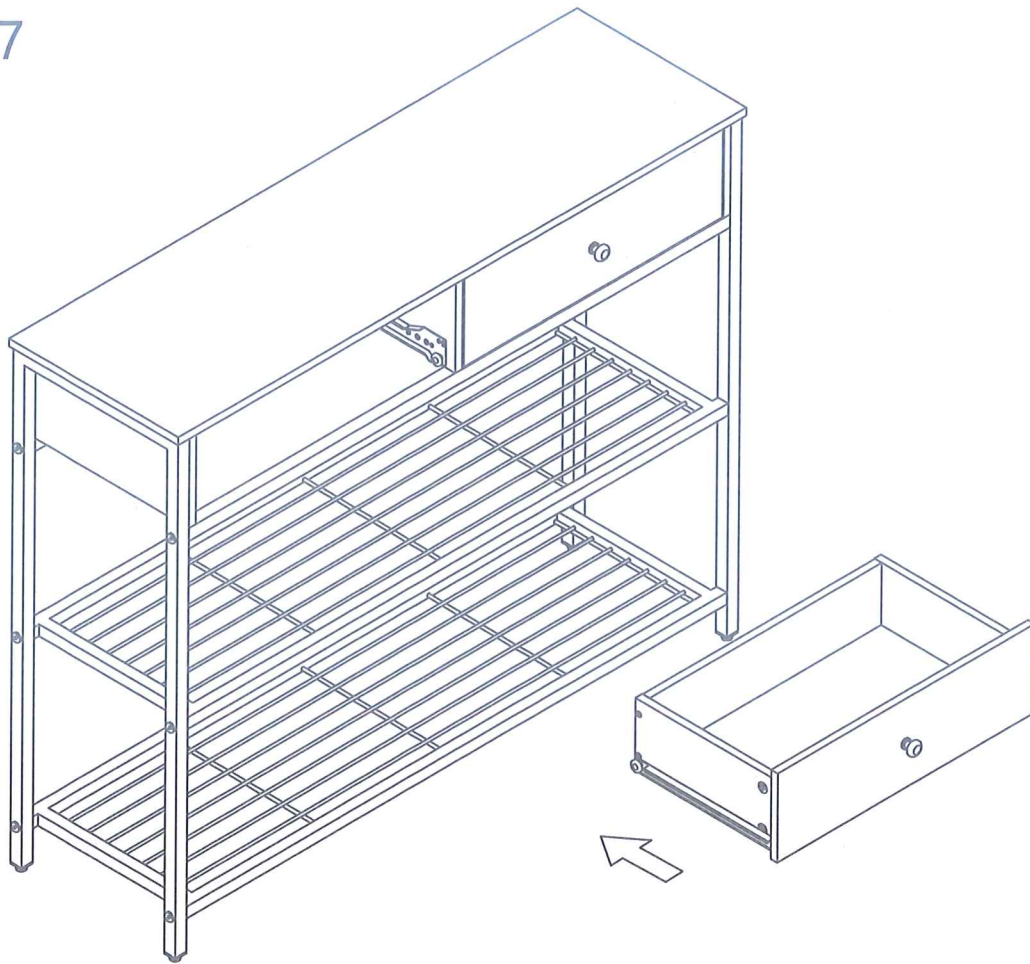
STEP 16



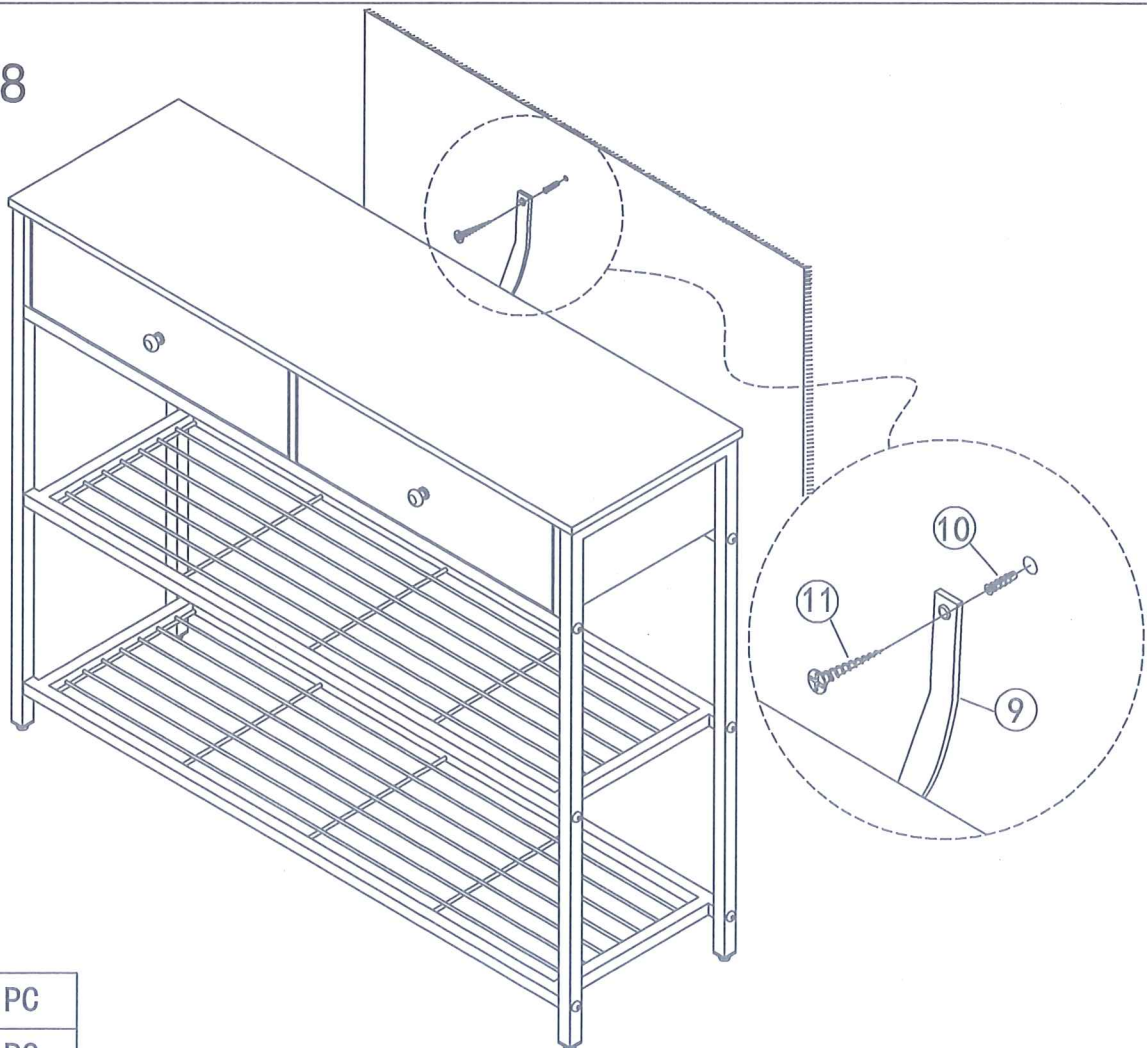
x2

	③ x 2PCS
	④ x 2PCS

STEP 17



STEP 18

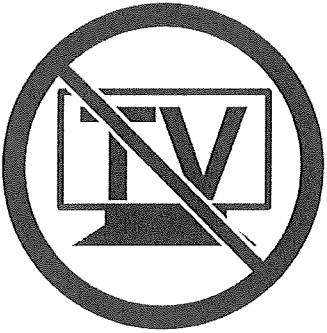


 ⑩ x 1PC

 ⑪ x 1PC



WARNING



Children have died from furniture tipover. To reduce the risk of furniture tipover:

- **ALWAYS** install tipover restraint provided.
- **NEVER** put a TV on this product.
- **NEVER** allow children to stand, climb or hang on drawers, doors, or shelves.
- **NEVER** open more than one drawer at a time.
- Place heaviest items in the lowest drawers.