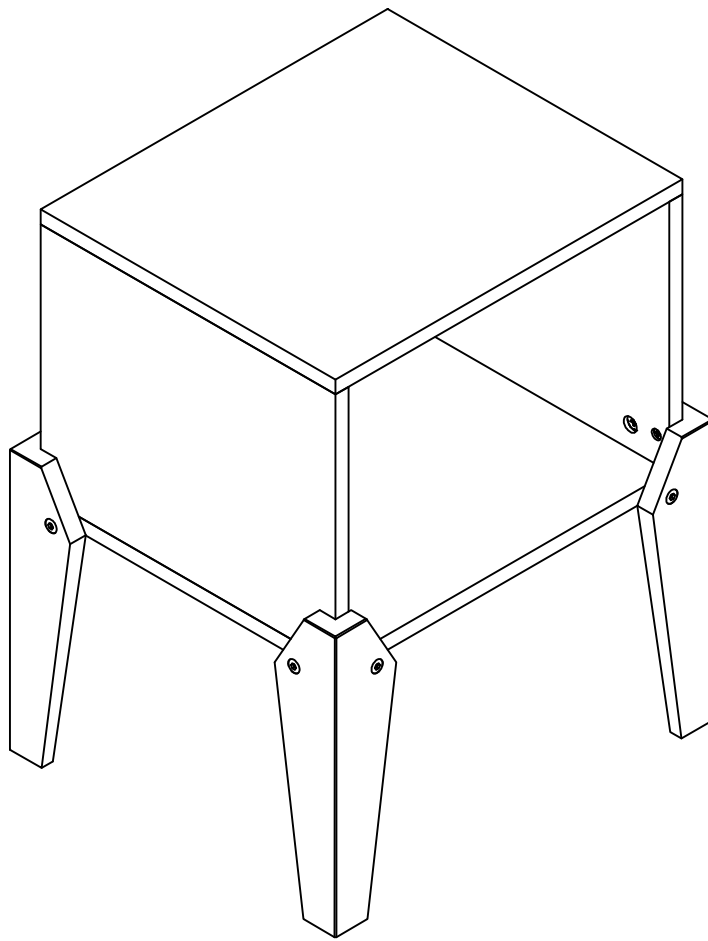
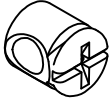
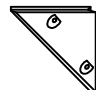
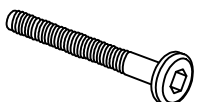


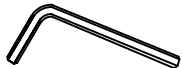





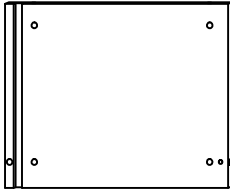





SOLAR JOY BOX



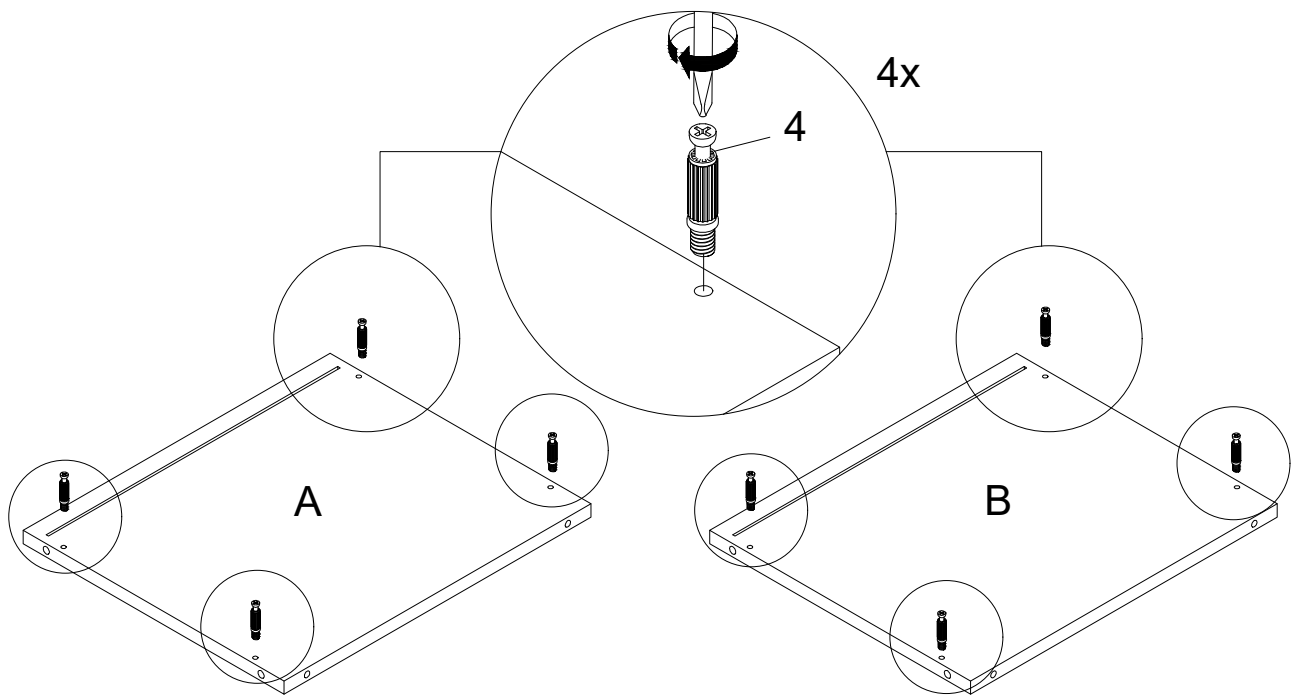
NO	HARDWARE LIST	QTY	NO	HARDWARE LIST	QTY
1	BARREL NUT 	8	5	PVC TRIANGLE 	4
2	JCBC M6 X 40mm 	8	6	CSK 3.5 X 16mm 	8
3	CSK M4 X 25mm 	4	7	ALLEN KEY 	1
4	EURO BOLT 	8	8	HOUSING 	8

SOLAR JOY BOX

NO	PART LIST	QTY
A	TOP PANEL 	1
B	BOTTOM PANEL 	1
C	SIDE PANEL (Left) 	1
D	SIDE PANEL (Right) 	1
E	BACK PANEL 	1
F	LEG (Left) 	2
G	LEG (Right) 	2

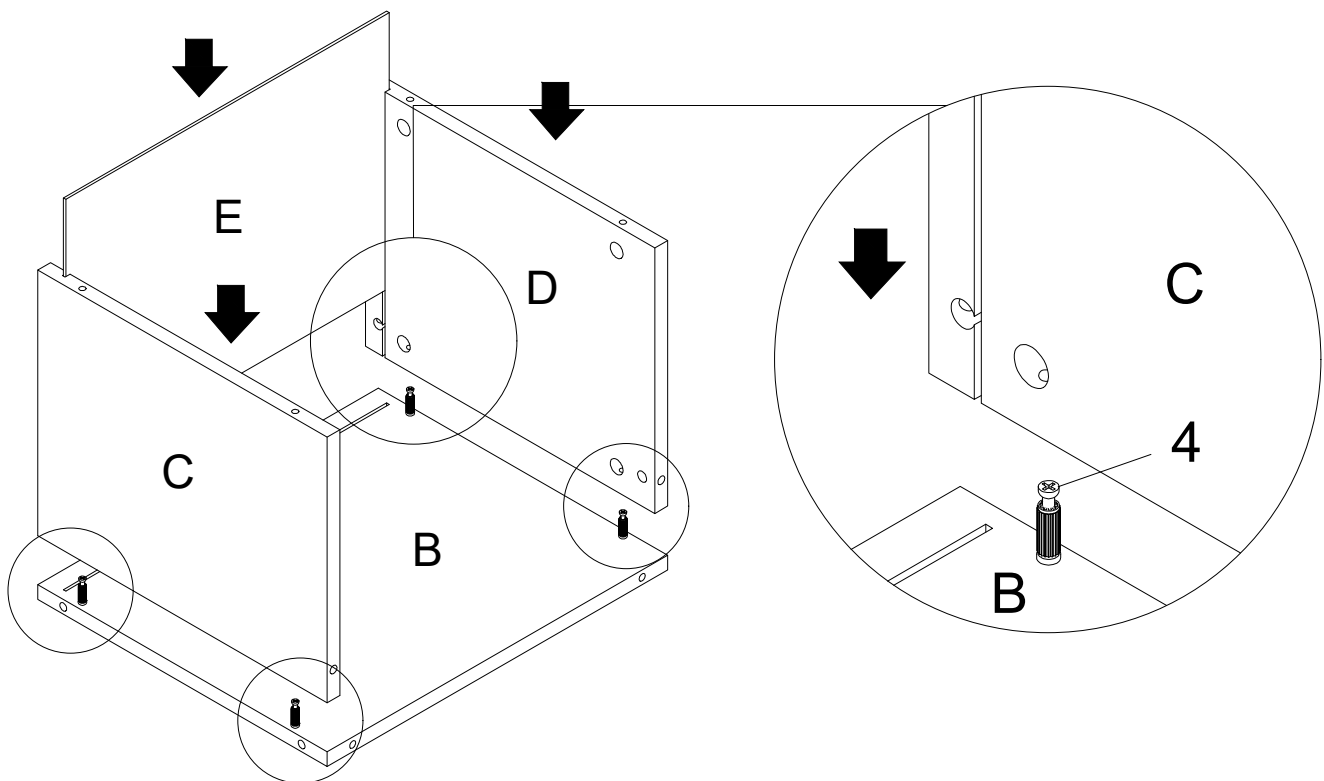
ASSEMBLY INSTRUCTION

STEP 1



- Driving the euro bolt (4) into top panel (A) and bottom panel (B) from inside securely.

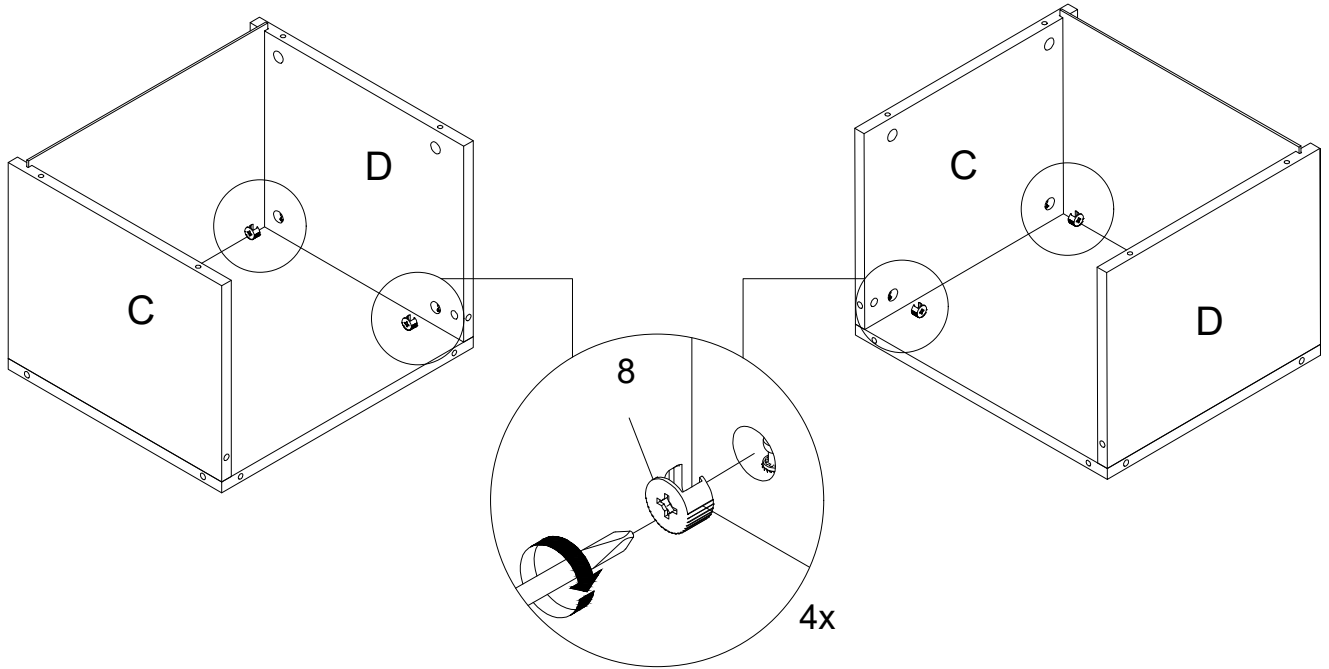
STEP 2



- Attach the side panel (C&D) to bottom panel (B).
- Attach the back panel (E) between side panel (C&D).

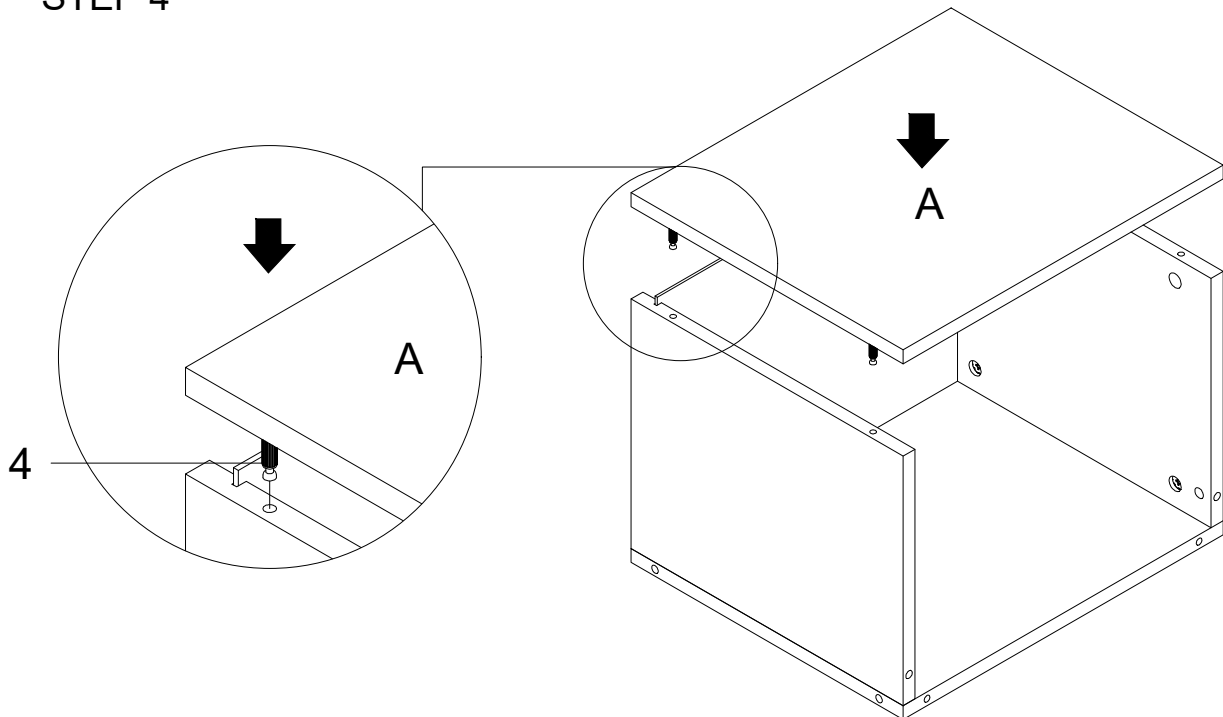
ASSEMBLY INSTRUCTION

STEP 3



- Insert the housing (8) into the hole of side panel (C&D) then tightening securely.
- Repeat of both side panel.

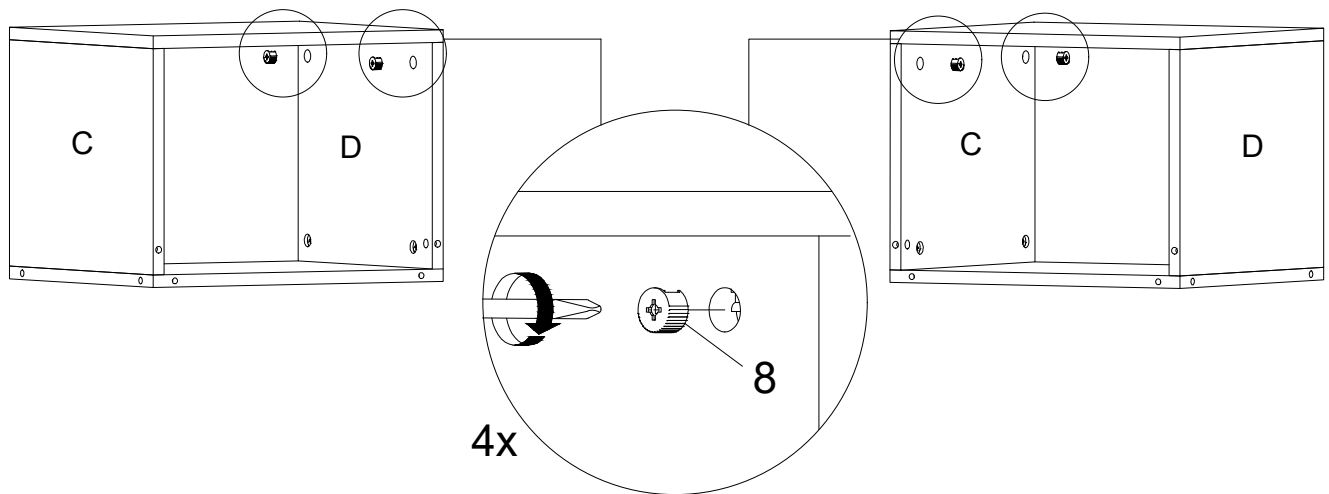
STEP 4



- Attach the top panel (A) into the hole of side panel (C&D) securely.

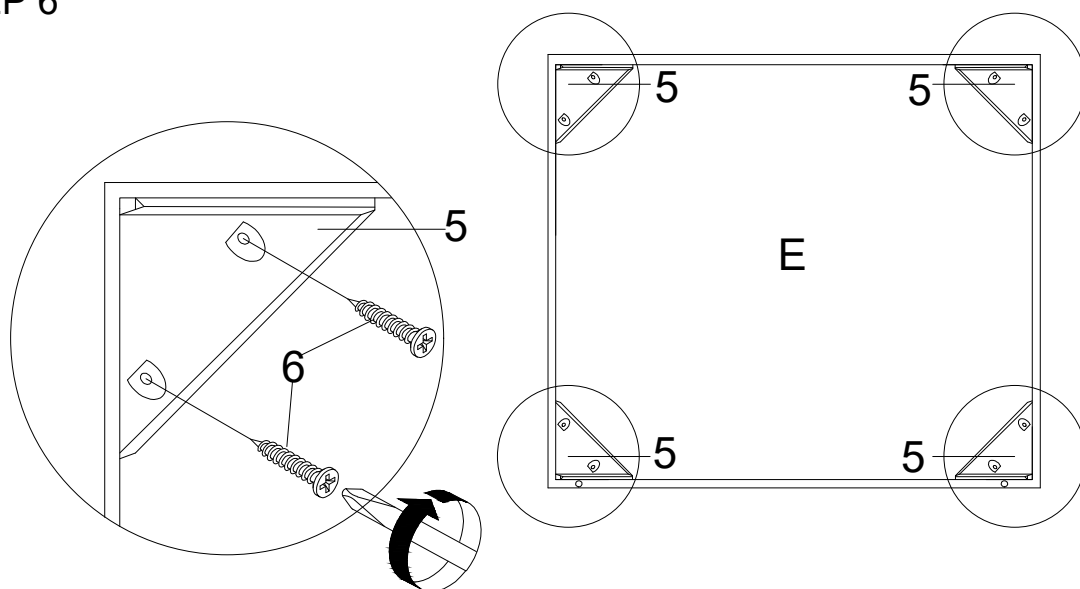
ASSEMBLY INSTRUCTION

STEP 5



- Insert the housing (8) into the hole of side panel (C&D) then tightening securely.
- Repeat of both side panel.

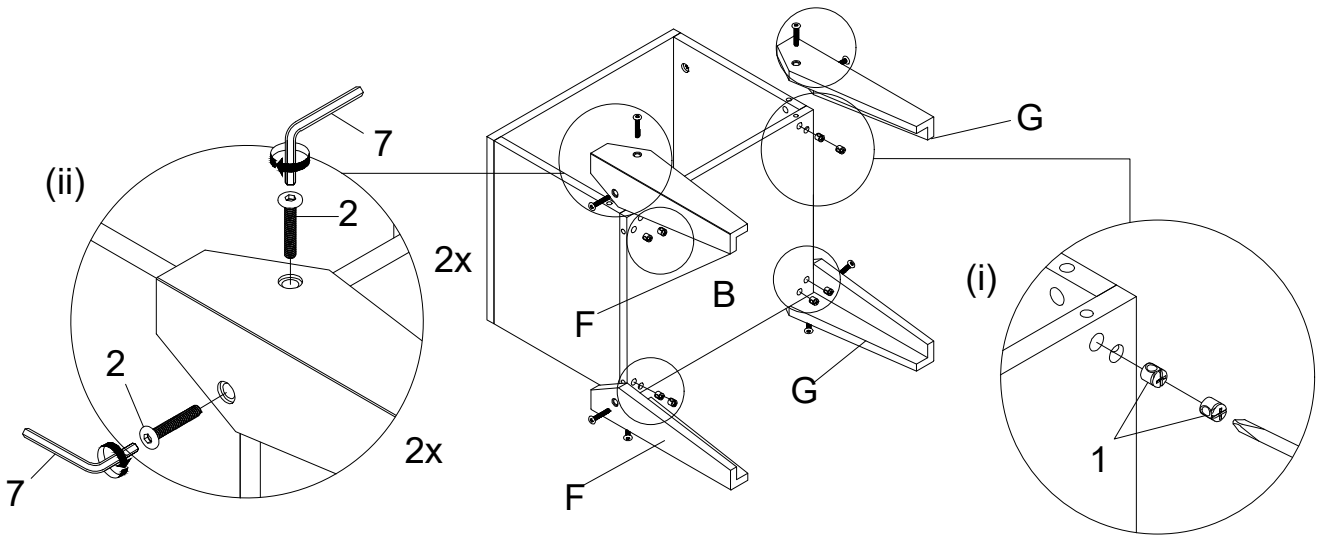
STEP 6



- Attach the PVC triangle (5) at back panel (E) by driving the CSK 3.5 X 16mm (6) securely.
- Repeat the procedure for four PVC triangle.

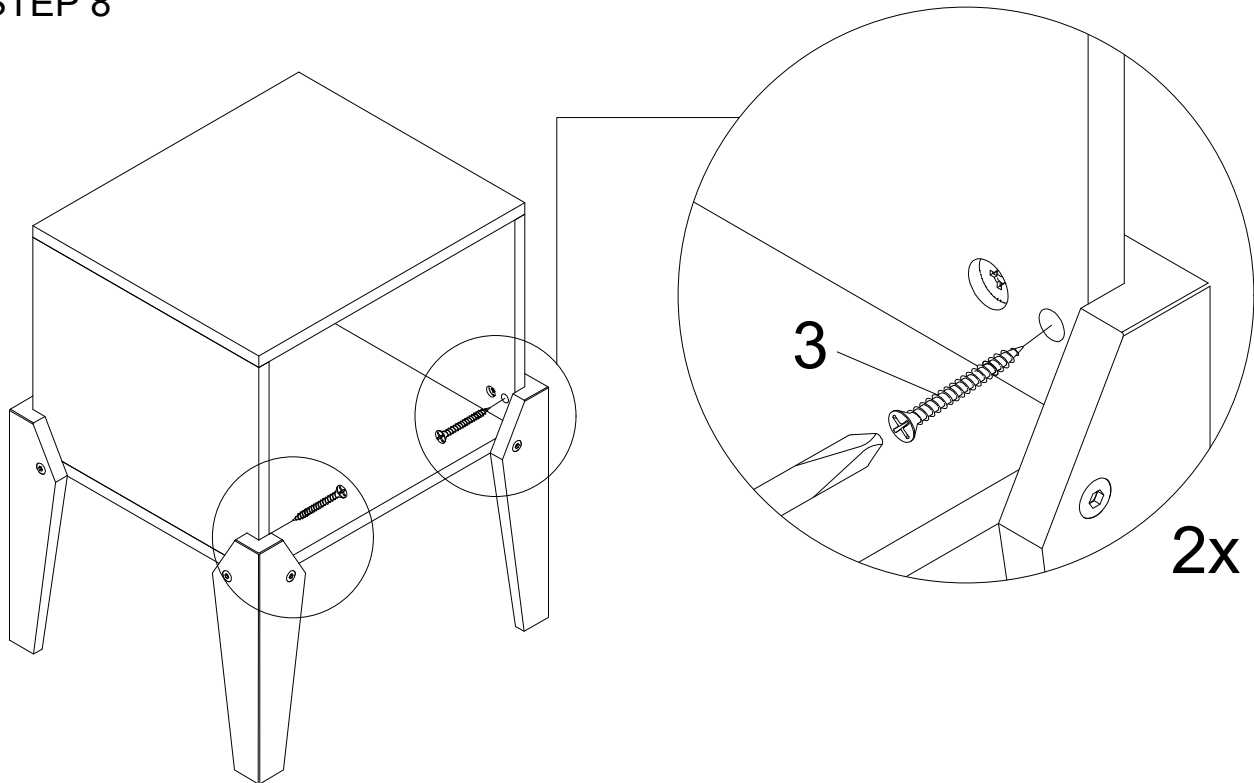
ASSEMBLY INSTRUCTION

STEP 7



- Insert the barrel nut (1) into the hole of bottom panel (B).
- Attach the leg (F&G) at side panel (C&D) and tightening with JCBC M6 X 40mm (2) for both side securely.
- Repeat the procedure for four leg.

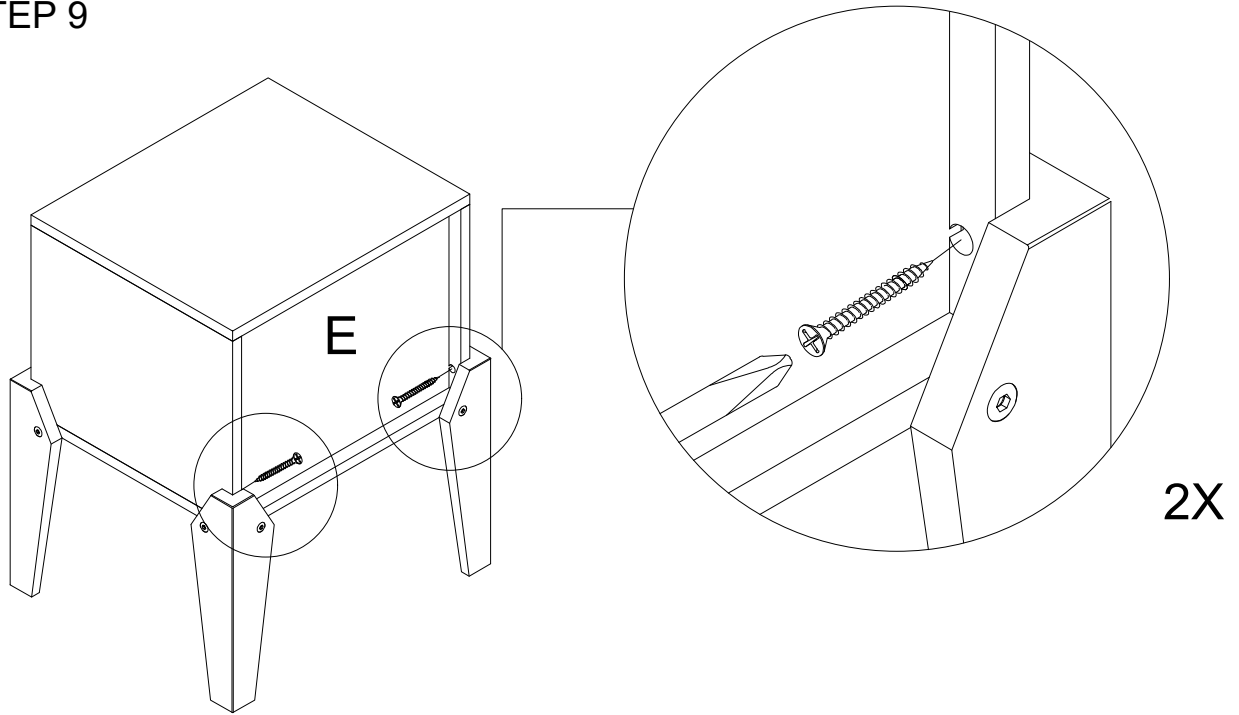
STEP 8



- Insert the CSK M4 X 25mm (3) into the hole of side panel (C&D) with screw driver securely.

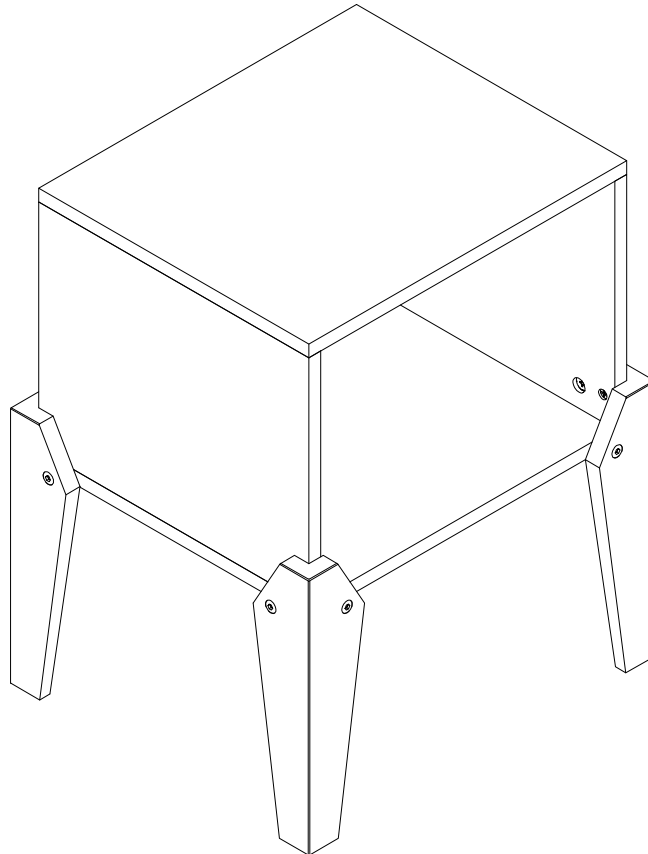
ASSEMBLY INSTRUCTION

STEP 9



- Insert the CSK M4 X 25mm (3) at the back panel (C&D) with screw driver securely.

STEP 10



- Ensure all the screw and fixing are secured periodically.