
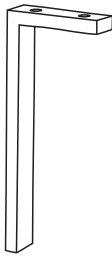






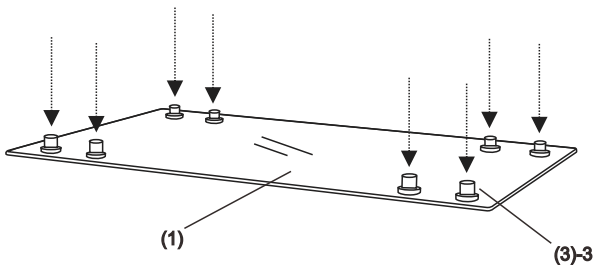
DINING TABLE (STAINLESS)

PART LIST/Liste des pièces

(1)	(2)	(3)
 X1	 X4	<ol style="list-style-type: none"> X8 10*76mm X8 X8 X1

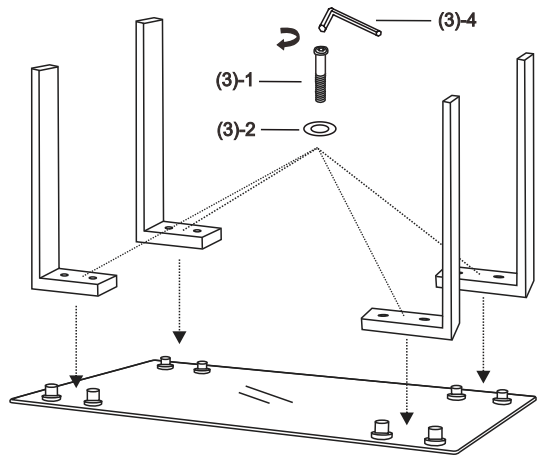
INSTRUCTION

A



(1) (3)-3

B



(3)-1 (3)-2 (3)-4

C

