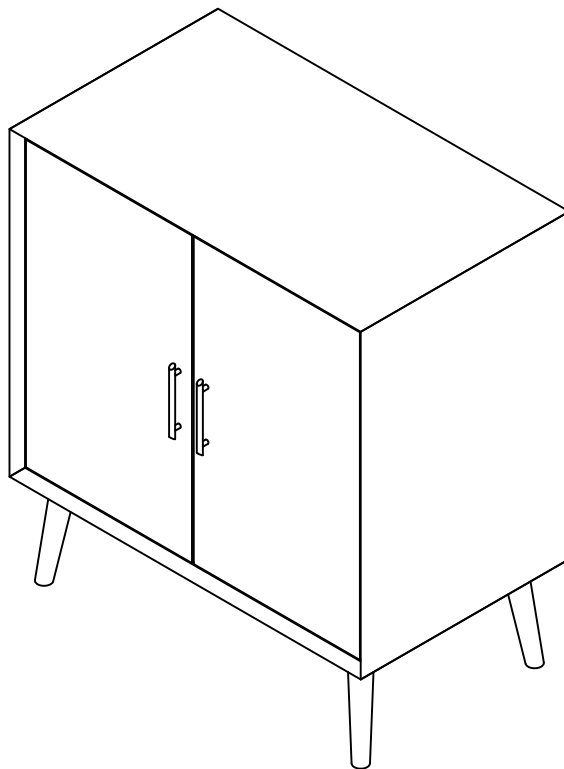
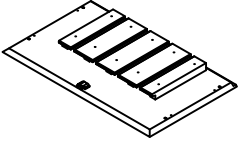
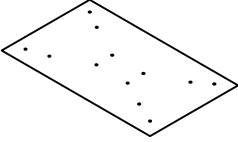
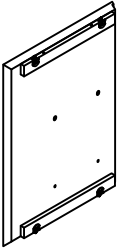
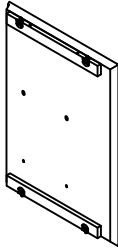
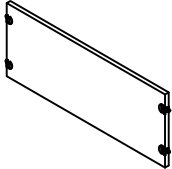
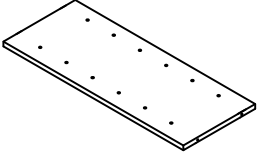
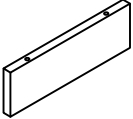
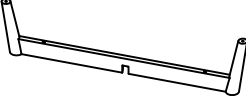
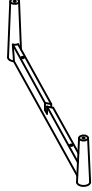
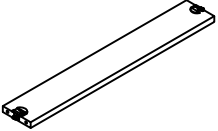
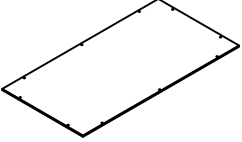
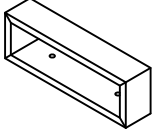
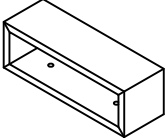
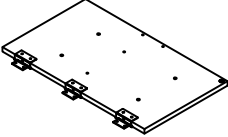
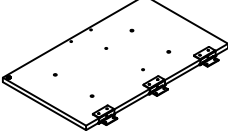
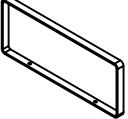


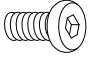
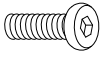
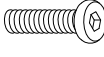



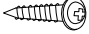
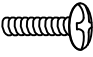
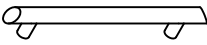


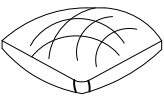
# Bar Cabinet



# PART LIST

<p><b>A</b></p> 	<p><b>B</b></p> 	<p><b>C</b></p> 	<p><b>D</b></p> 	<p><b>E</b></p> 
<p>Top Panel 1 PC</p>	<p>Bottom Panel 1 PC</p>	<p>Left Side Panel 1 PC</p>	<p>Right Side Panel 1 PC</p>	<p>Top Shelf 1 PC</p>
<p><b>F</b></p> 	<p><b>G</b></p> 	<p><b>H</b></p> 	<p><b>I</b></p> 	<p><b>J</b></p> 
<p>Bottom Shelf 1 PC</p>	<p>Bottom Partition Panel 6 PCS</p>	<p>Front Leg Frame 1 PC</p>	<p>Back Leg Frame 1 PC</p>	<p>Back Connecting Rail 1 PC</p>
<p><b>K</b></p> 	<p><b>L</b></p> 	<p><b>M</b></p> 	<p><b>N</b></p> 	<p><b>O</b></p> 
<p>Back Panel 2 PCS</p>	<p>Top Storage Box 2 PCS</p>	<p>Bottom Storage Box 2 PCS</p>	<p>Left Door Panel 1 PC</p>	<p>Right Door Panel 1 PC</p>
<p><b>P</b></p>  <p>Metal Frame 2 PCS</p>				

# HARDWARE LIST

<p>#1</p>  <p>M6 x 12</p>	<p>#2</p>  <p>M6 x 20</p>	<p>#3</p>  <p>M6 x 40</p>	<p>#4</p>  <p>M6 x 60</p>	<p>#5</p>  <p>Ø6 x 30</p>
<p>Bolt</p> <p>4 PCS (Extra 1)</p>	<p>Short Bolt</p> <p>8 PCS (Extra 1)</p>	<p>Medium Bolt</p> <p>4 PCS (Extra 1)</p>	<p>Long Bolt</p> <p>4 PCS (Extra 1)</p>	<p>Small Wood Dowel</p> <p>32 PCS (Extra 1)</p>
<p>#6</p>  <p>Ø8 x 30</p>	<p>#7</p>  <p>Ø3x12</p>	<p>#8</p>  <p>M4 x 20</p>	<p>#9</p> 	<p>#10</p>  <p>Ø3.5 x 12</p>
<p>Large Wood Dowel</p> <p>12 PCS (Extra 1)</p>	<p>Small Screw</p> <p>20 PCS (Extra 1)</p>	<p>Round Head Bolt</p> <p>4 PCS</p>	<p>Handle</p> <p>2 PCS</p>	<p>Large Screw</p> <p>12 PCS (Extra 1)</p>
<p>#11</p>  <p>M4</p>	<p>#12</p> 			
<p>Allen Wrench</p> <p>1PC</p>	<p>Safety Strap Kit</p> <p>1 PC</p>			

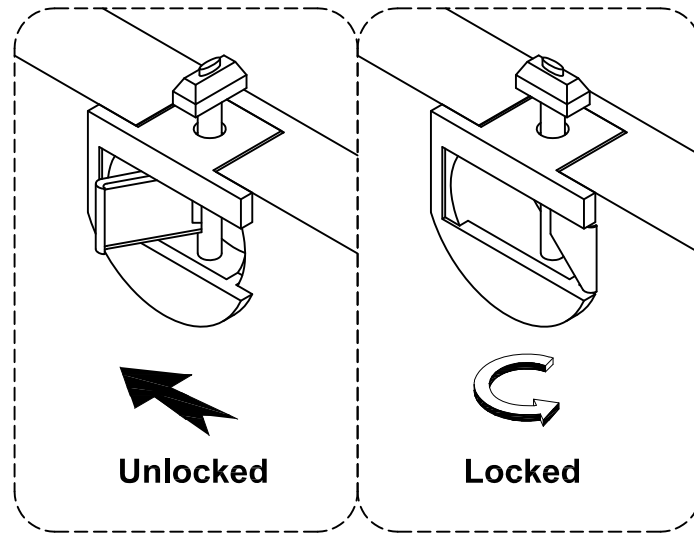
## ADDITIONAL TOOLS (Not Provided)

Note: It is not recommended to use power tools during assembly.



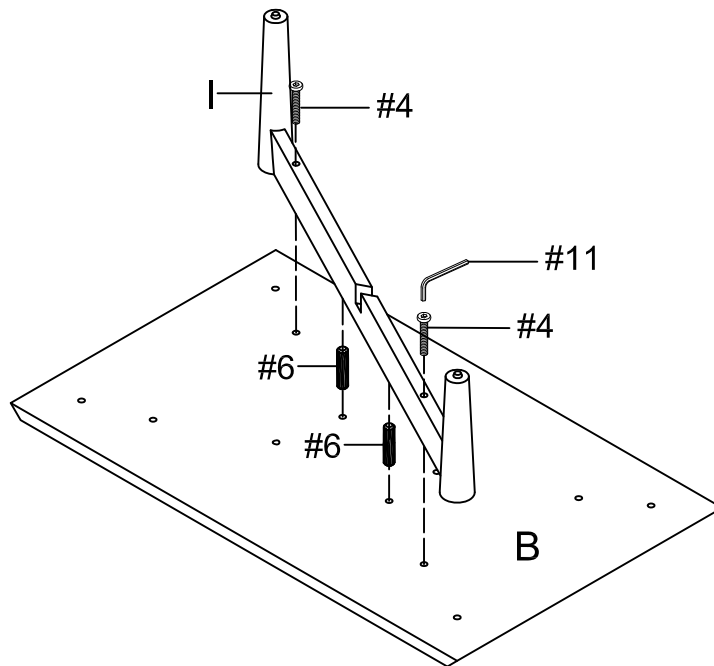
Phillips Head Screwdriver




Please do not use tools to assemble this unit unless specifically indicated.



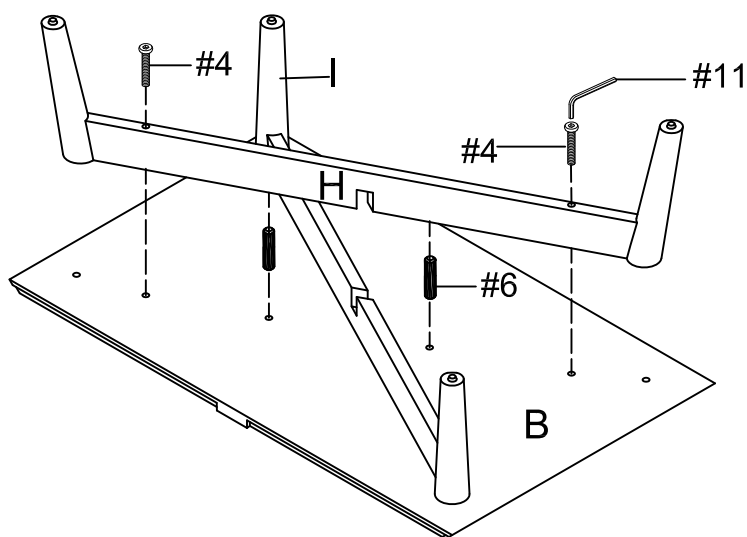
Reference the images above any time the instructions state "lock the hardware".  
Note: Be sure to check all hardware is locked when completed.

Step 1. Lay bottom panel (part B) upside down on a soft surface, such as carpet, as shown below. Attach back leg frame (part I) to bottom panel (part B) using long bolts (part #4), large wood dowels (part #6) and allen wrench (part #11).



- #4  x 2
- #6  x 2
- #11  x 1

Step 2. Attach front leg frame (part H) to bottom panel (part B) using long bolts (part #4), large wood dowels (part #6) and allen wrench (part #11).

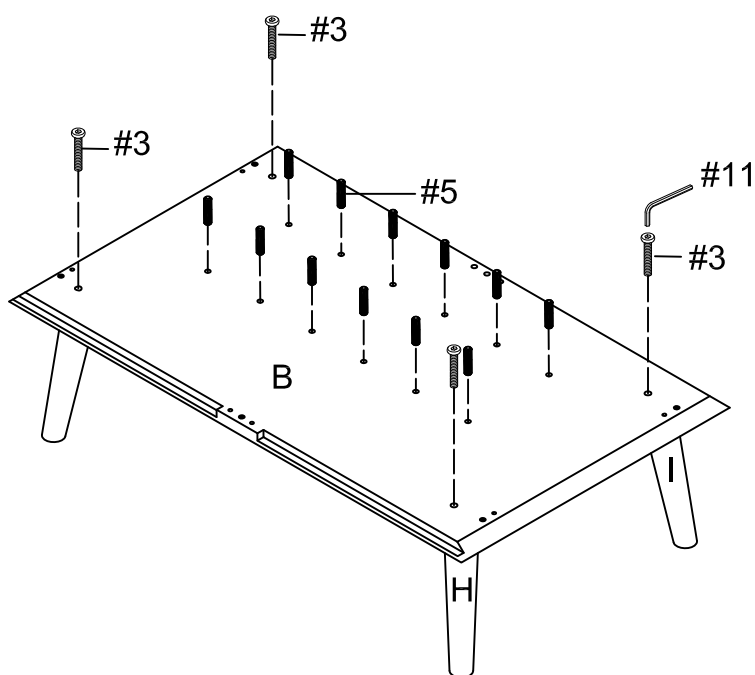


#4  x 2

#6  x 2

#11  x 1

Step 3. Carefully turn assembled unit (parts B, H & I) upright. Secure front leg frame (part H) and back leg frame (part I) to bottom panel (part B) using medium bolts (part #3) and allen wrench (part #11). Insert small wood dowels (part #5) into bottom panel (part B).

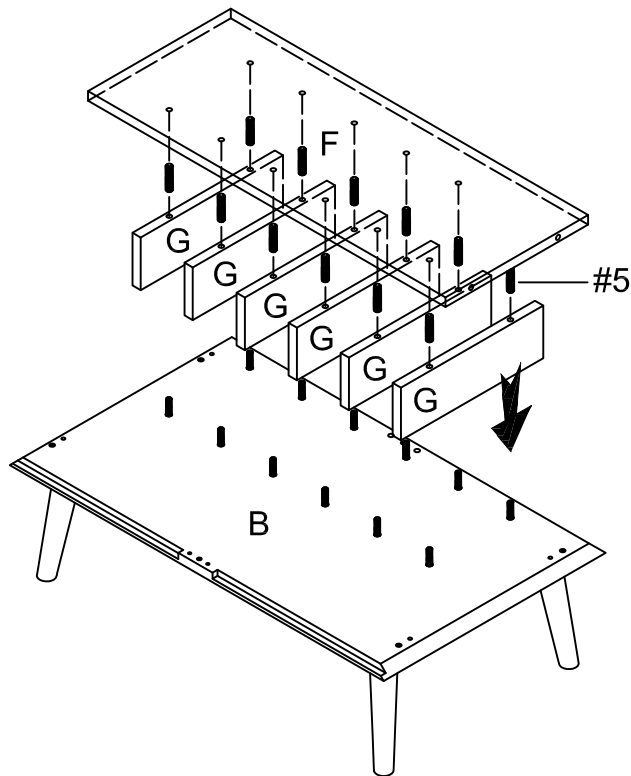


#3  x 4

#5  x 12

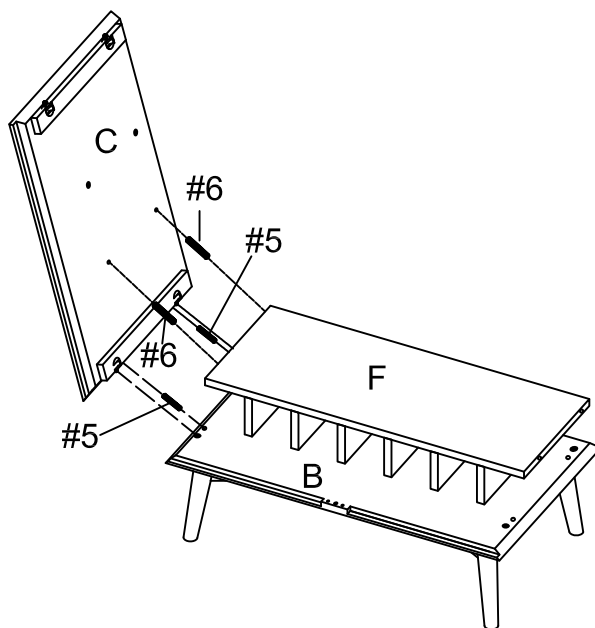
#11  x 1

Step 4. Attach bottom partition panels (part G) to bottom panel (part B) and bottom shelf (part F) using small wood dowels (part #5).



#5  x 12

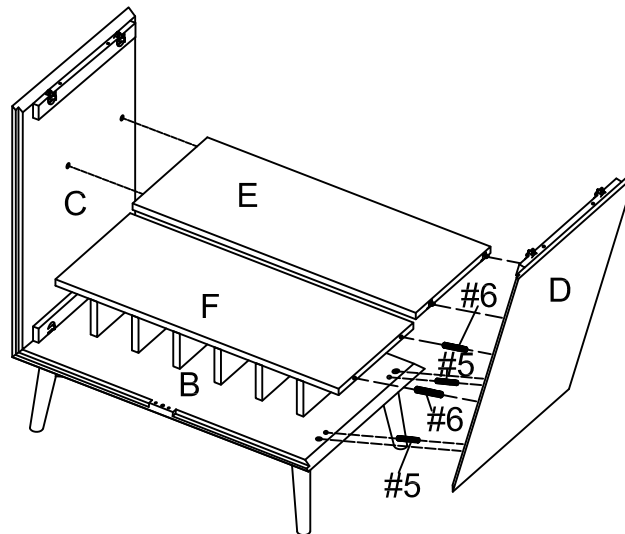
Step 5. Attach left side panel (part C) to bottom panel (part B) and bottom shelf (part F) using small wood dowels (part #5), large wood dowels (part #6) and lock the hardware.





#5  x 2

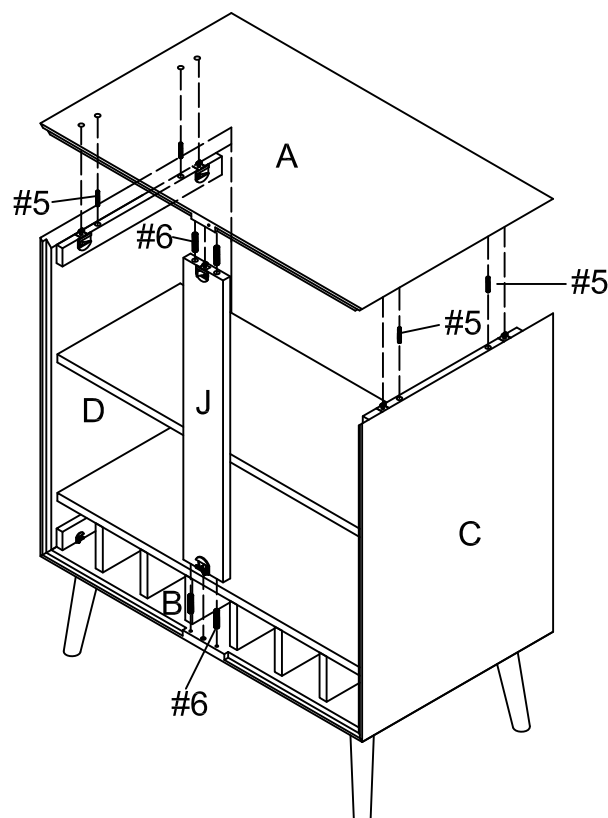
#6  x 2



Step 6. Attach top shelf (part E) to left side panel (part C) by locking the hardware. Attach right side panel (part D) to bottom panel (part B), top shelf (part E) and bottom shelf (part F) using small wood dowels (part #5), large wood dowels (part #6) and lock the hardware.



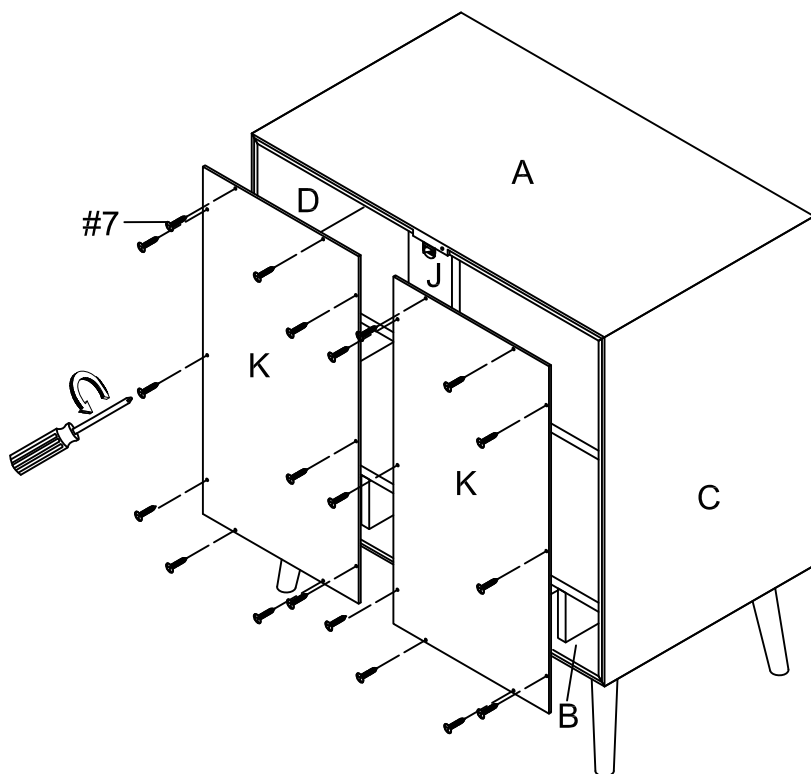
#5  x 2  
 #6  x 2

Step 7. Attach back connecting rail (part J) to bottom panel (part B) using large wood dowels (part #6) and lock the hardware. Attach top panel (part A) to assembled unit (parts C, D & J) using small wood dowels (part #5), large wood dowels (part #6) and lock the hardware.



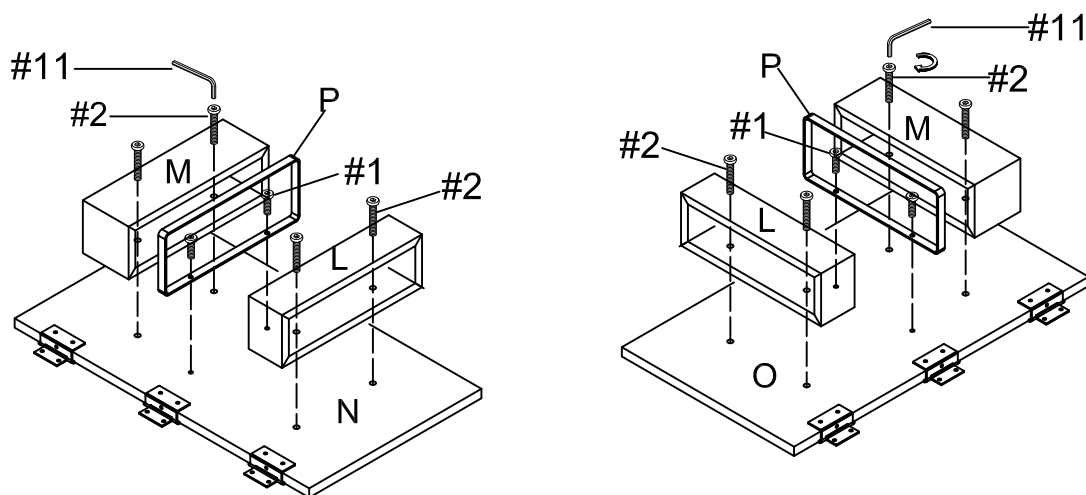
#5  x 4  
 #6  x 4

Step 8. Attach back panels (part K) to assembled unit (parts A, B, C, D & J) using small screws (part #7) and phillips head screwdriver.



#7  x 20

Step 9. Attach top storage boxes (part L) and bottom storage boxes (part M) to left door panel (part N) and right door panel (part O) using short bolts (part #2) and allen wrench (part #11). Attach metal frames (part P) to left door panel (part N) and right door panel (part O) using bolts (part #1) and allen wrench (part #11).

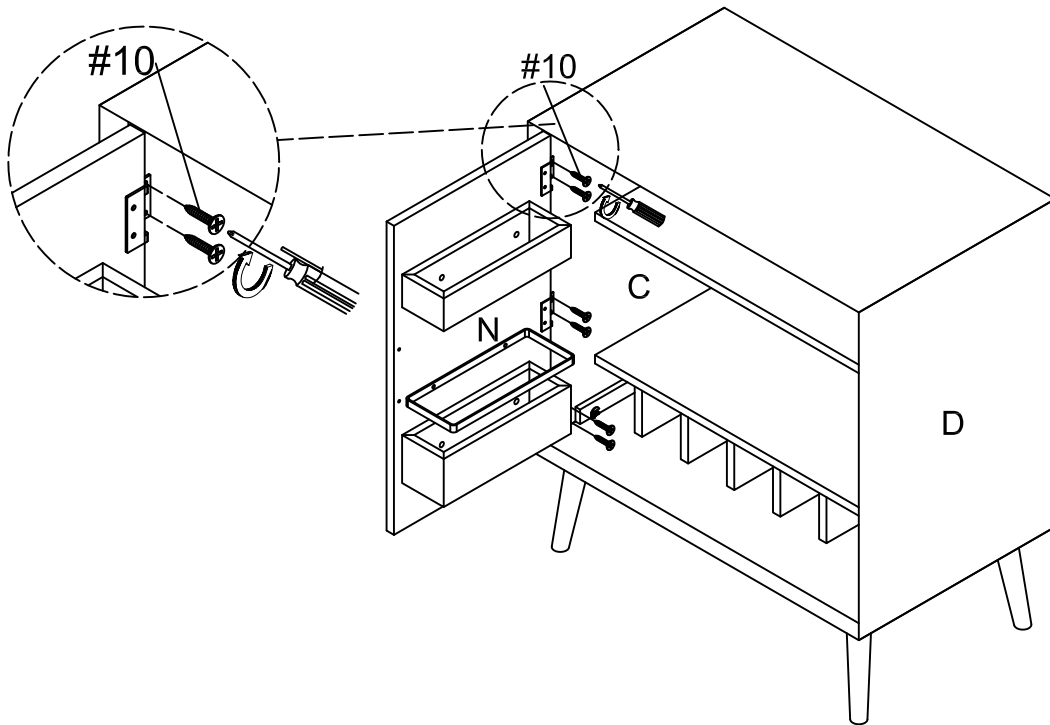


#1  x 4

#2  x 8

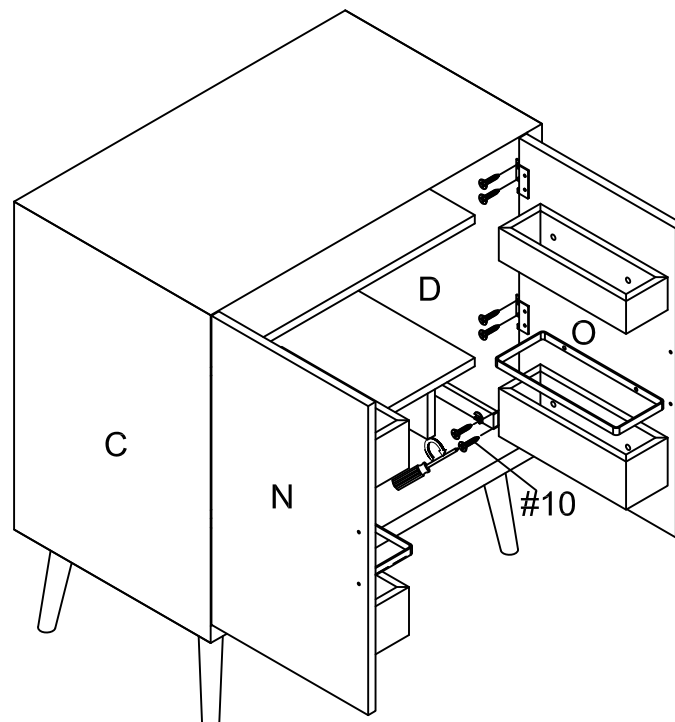
#11  x 1

Step 10. Attach left door panel (part N) to left side panel (part C) using hinges (pre-installed), large screws (part #10) and phillips head screwdriver.



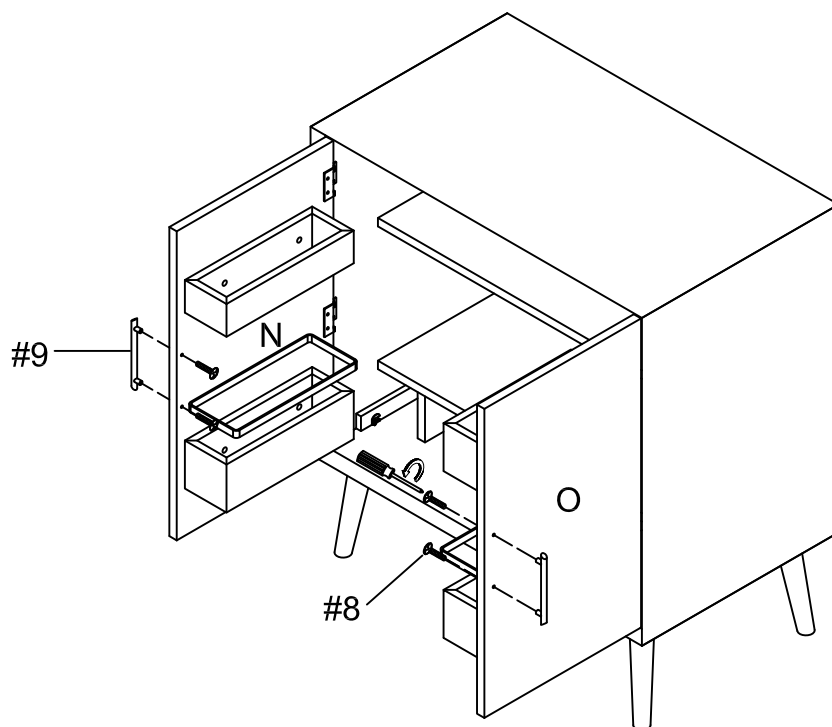
#10  x 6

Step 11. Attach right door panel (part O) to right side panel (part D) using hinges (pre-installed), large screws (part #10) and phillips head screwdriver.

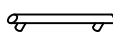


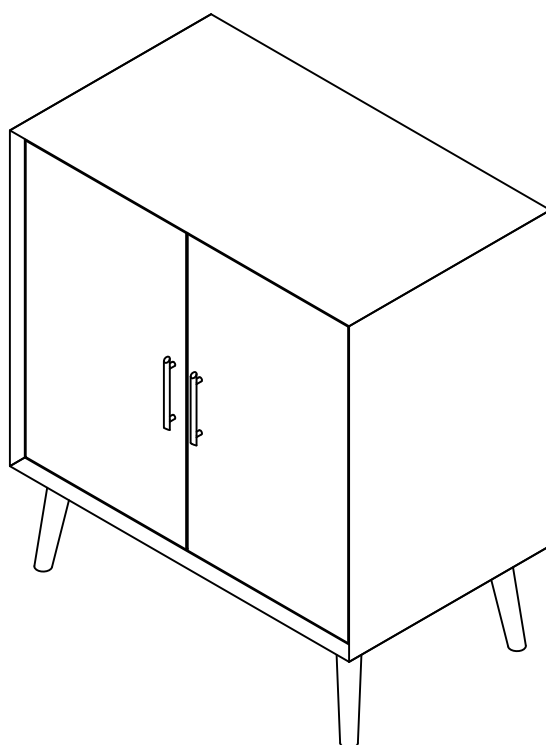
#10  x 6

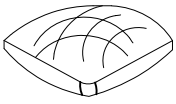
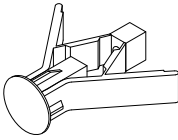

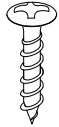
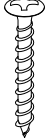
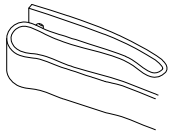
Step 12. Attach handles (part #9) to left door panel (part N) and right door panel (part O) using round head bolts (part #8) and phillips head screwdriver.



#8  x 4

#9  x 2



#12	A	B	C	D	E
			 D8 x 3/4"	 D8 x 1-1/2"	
Safety Strap Kit 1 PC	Wall Anchor 1 PC	Washer 2 PCS	Short Screw 1 PC	Long Screw 1 PC	Safety Wall Strap 1 PC

## SAFETY WALL STRAP INSTALLATION

Note: It is highly recommended to install this safety strap kit to prevent tipping, damage and/or injury.

1. Insert short screw (C) through washer (B) and safety wall strap (E) and attach to back of top panel (part A) using phillips head screwdriver.
2. Drill a 11/32"(6mm) hole where you want to secure the unit. The drilled hole will be at the same height as the hole in back of top panel (part A) where safety wall strap (E) is attached. Tap wall anchor (A) into the hole.
3. Insert long screw (D) through washer (B) and safety wall strap (E) into wall anchor (A) using a phillips head screwdriver.

