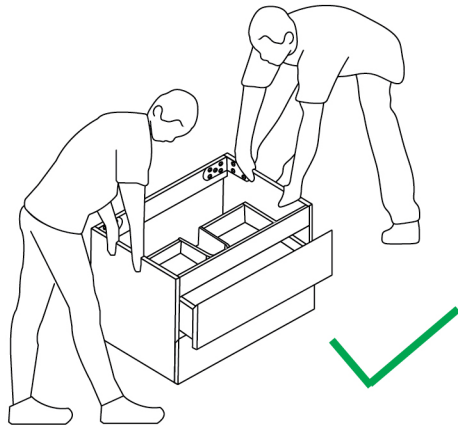
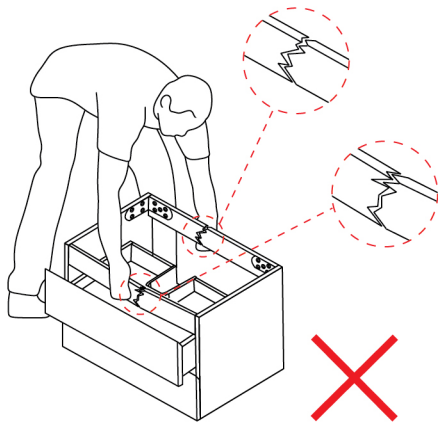


Wall Mounted Vanity Installation Guide



For the best performance and your safety, please have at least two adults to unpack and install. Please **DO NOT** hold the two wooden pieces one in the front, one in the back, when you take it out of the box and install it on the wall.



Installation Guide

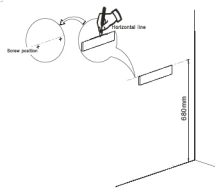


MOB

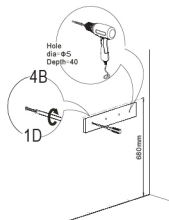


MOF

1



4



STORAGE



MOB



MOF



Electric drill



Drill bit
($\phi 5/6/8$)



Tape measure
(3m-5m)



Silicone



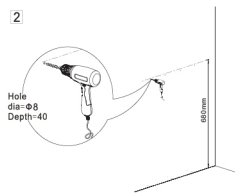
Pencil



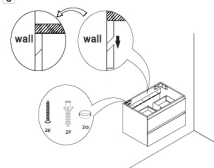
Screwdriver

Tools required for installation

2



5



CABINET



4B



2E



4C



2F

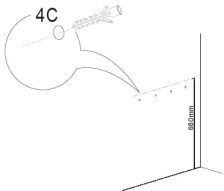


1D

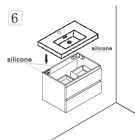


2G

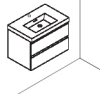
3



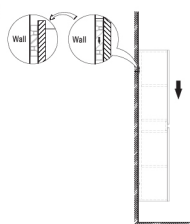
6



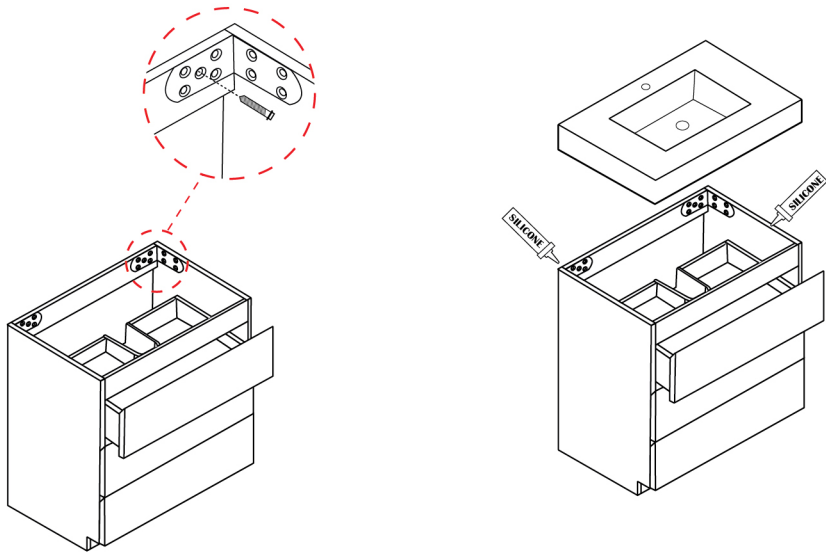
7



3



Freestanding Vanity Installation Guide



Please fix the cabinet with M6x65 screws which included in the hardware pack .



Seal the sink onto the base by silicone glue and press firmly into its place. Wipe away any excess silicone sealant with a damp cloth.