

# NOTICE

\*Please make sure that you have all parts indicated and they are in good condition before you begin assembly of this item. Refer to part list and hardware list below for guidance.

\*This item should be assembled on a soft surface to prevent scratching the finish during assembly.

\*This item may require periodic tightening.

\*If you are having difficulty, our friendly Customer Care team is always here to help.

Product Dimensions: 42.9" W x 34.4" D x 24.4" H

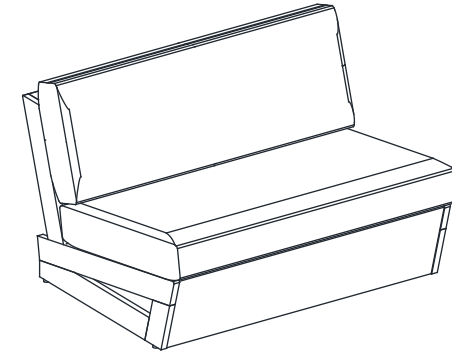
# PREPARATION

\* Before beginning assembly of product, make sure all parts are present. Compare parts with part contents list and hardware contents list.

\* If any part is missing or damaged, do not attempt to assemble the product.

\* Estimated Assembly Time: 10 minutes.

**\*Tools Required for Assembly (included): Allen Key**



# CARE AND MAINTENANCE

Insert Care and Maintenance here

## Part List and Hardware List

PIECE	DESCRIPTION	PICTURE	QUANTITY
A	Right Leg Panel		1X
B	Left Leg Panel		1X
C	Front Support Bar		1X
D	Middle Support Bar		1X
E	Back Support Bar		1X
F	Backrest Panel		1X
G	Seat Panel		1X



**Weight Capacity : 400 Ibs**

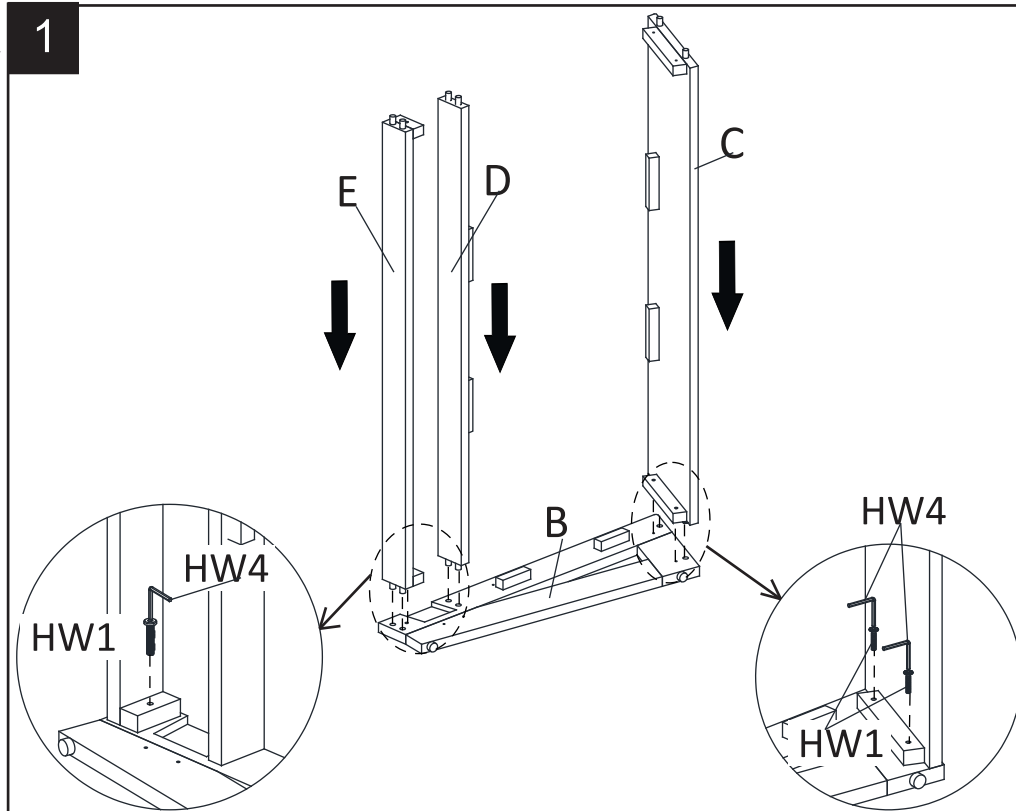
**Warning : Do not stand on bench**

**Warning : Do not over torque bolts / screws**

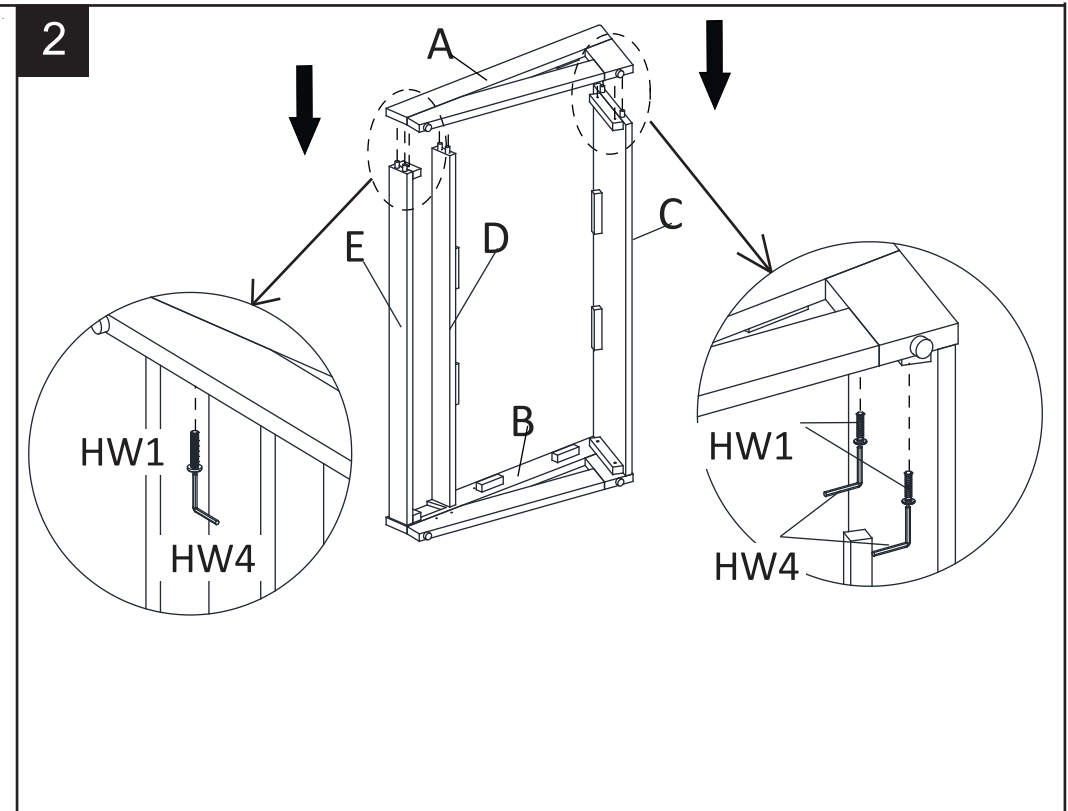
CSH1	Seat cushion		1X
CSH2	Back Cushion		1X
HW1	Allen Bolt: M6x0.5x35 mm		6X
HW2	Allen Bolt: M6x0.5x45 mm		4X
HW3	Screws M6x0.5x35 mm		4X
HW4	Allen key		1X

# PREPARATION

- \*Before beginning assembly of product, make sure all parts are present. Compare parts with package contents list and hardware contents list.
- \*If any part is missing or damaged, do not attempt to assemble the product.
- \* Estimated Assembly Time : 10 minutes.
- \* Tools Required for Assembly (included): Allen Key
- \* If you are having difficulty, our friendly Customer care team is always here to help.



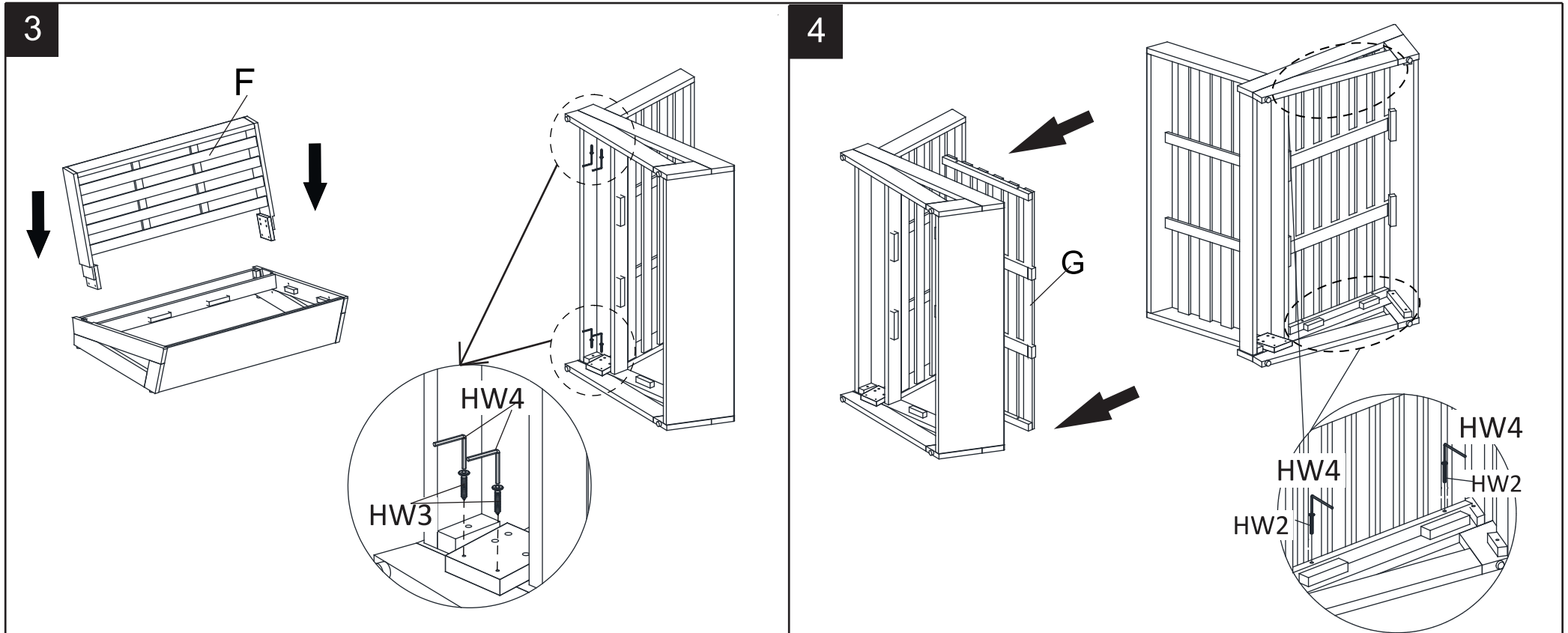
**Step 1.1**  
Attach the Back Support Bar (E) to the Left leg Panel (B) using Bolts(HW1) and the Allen key (HW4) as shown above.



**Step 2.1**  
Attach the Right leg Panel (A) to the Back Support Bar (E) using Bolts(HW1), the Allen key (HW4) as shown above.

# PREPARATION

- \*Before beginning assembly of product, make sure all parts are present. Compare parts with package contents list and hardware contents list.
- \*If any part is missing or damaged, do not attempt to assemble the product.
- \* Estimated Assembly Time : 10 minutes.
- \* Tools Required for Assembly (included): Allen Key
- \* If you are having difficulty, our friendly Customer care team is always here to help.



## Step 3

Attach the Backrest (F) to Right leg panel(A) and Left leg Panel (B) using Screws (HW3) and the Allen key (HW4) as shown above.

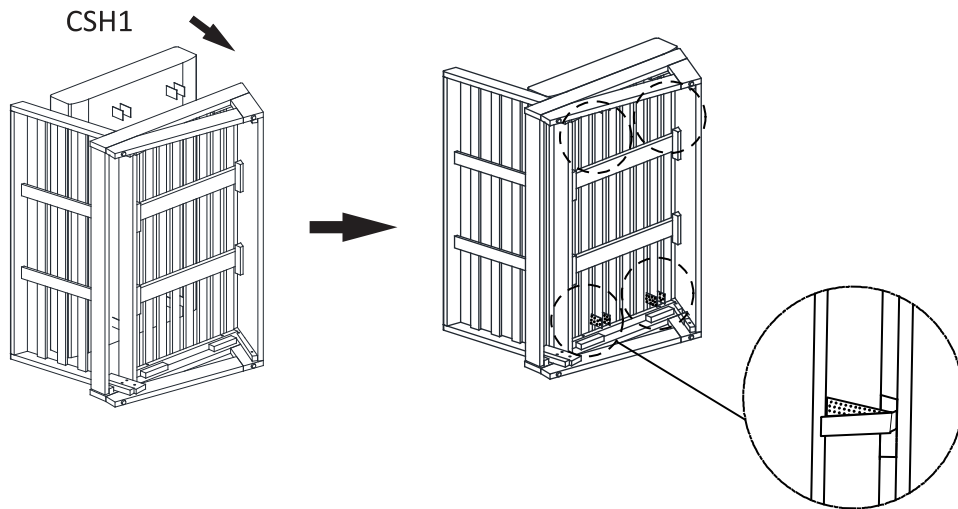
## Step 4

Attach the Seat Panel (G) into the Chair as shown in picture above. Affix the Seat Panel (G) to the Chair using Bolt (HW2) and the Allen (HW4).

# PREPARATION

- \*Before beginning assembly of product, make sure all parts are present. Compare parts with package contents list and hardware contents list.
- \*If any part is missing or damaged, do not attempt to assemble the product.
- \* Estimated Assembly Time : 10 minutes.
- \* Tools Required for Assembly (included): Allen Key
- \* If you are having difficulty, our friendly Customer care team is always here to help.

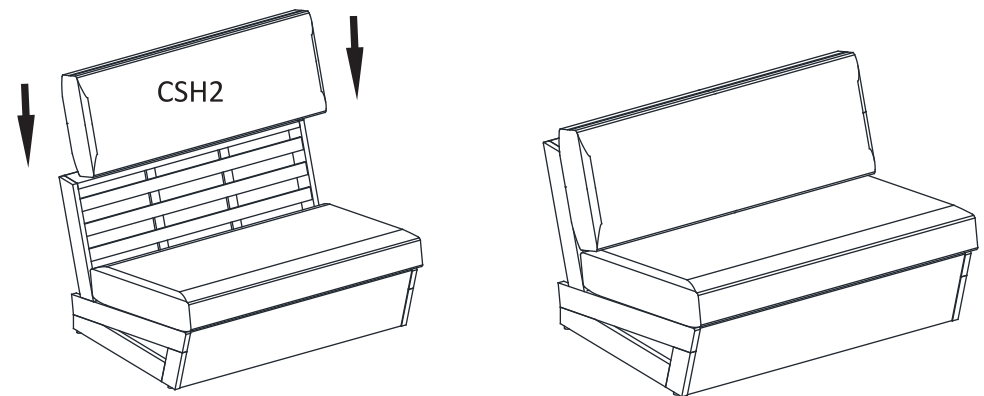
5



Step 5

Place the Seat Cushion (CSH1) onto The Bench as shown above.

6



Step 6

Place the Back Cushions (CSH2) onto The Bench as shown above.