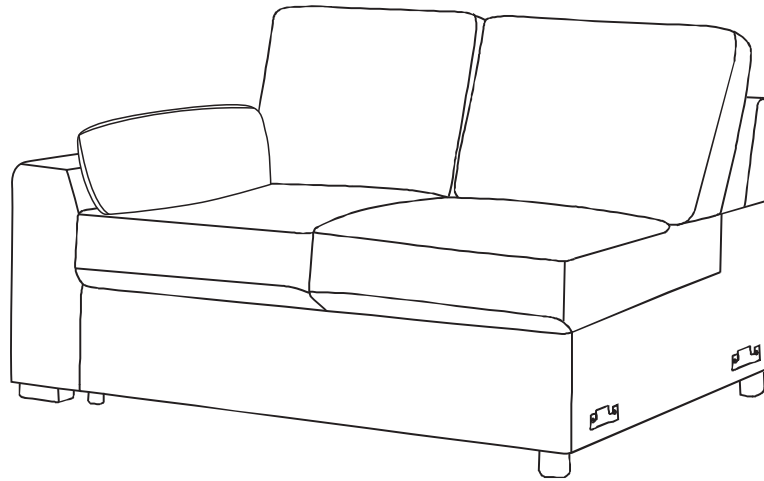
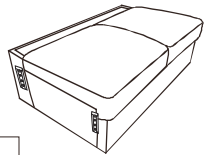


ASSEMBLY INSTRUCTION

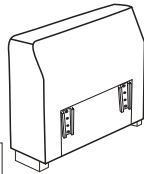


PARTS LIST



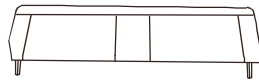
A

x1



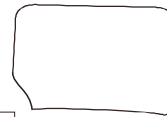
B

x1



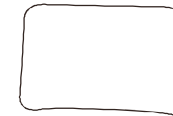
C

x1



D

x1



E

x1



F

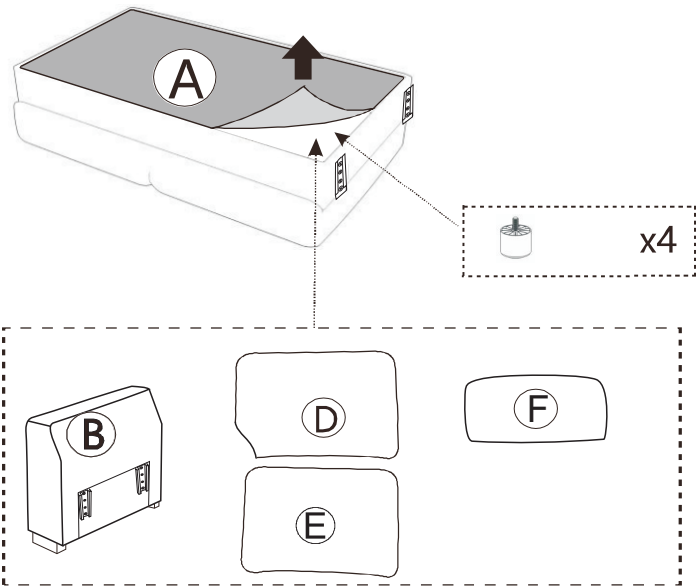
x1

HARDWARE LIST

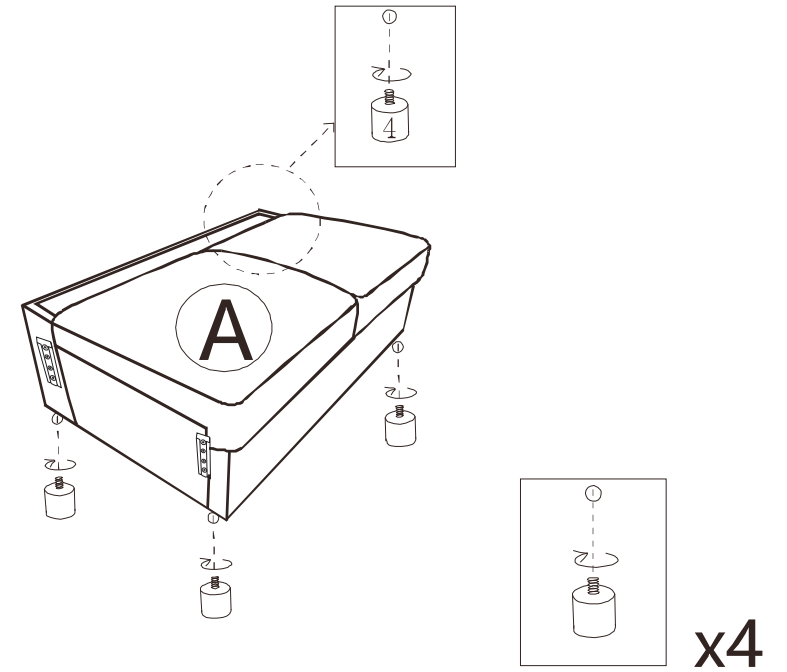


1

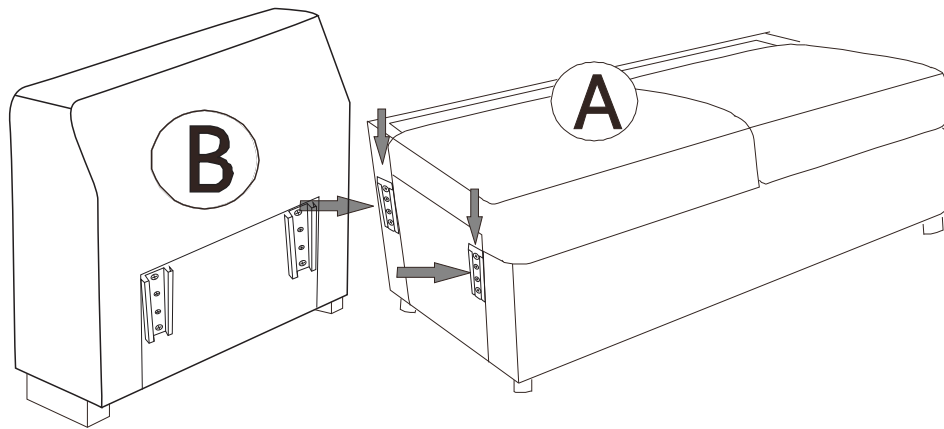
x4



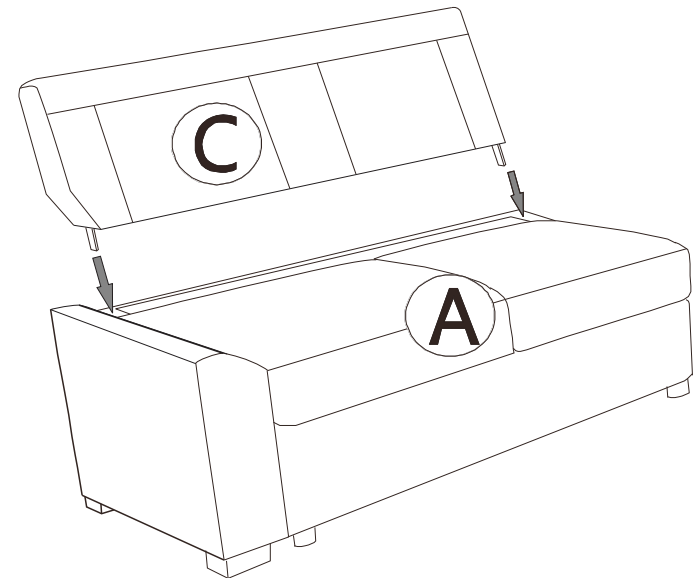
Step 1



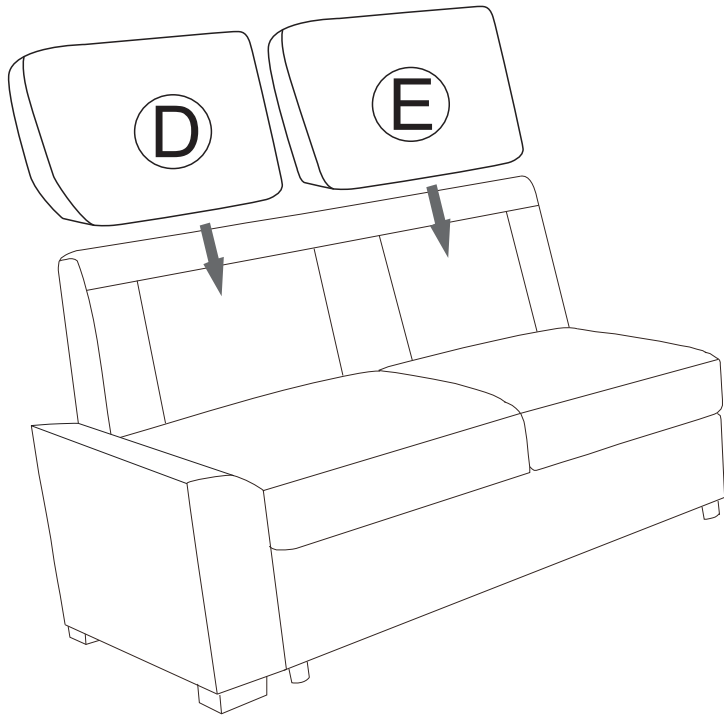
Step 2



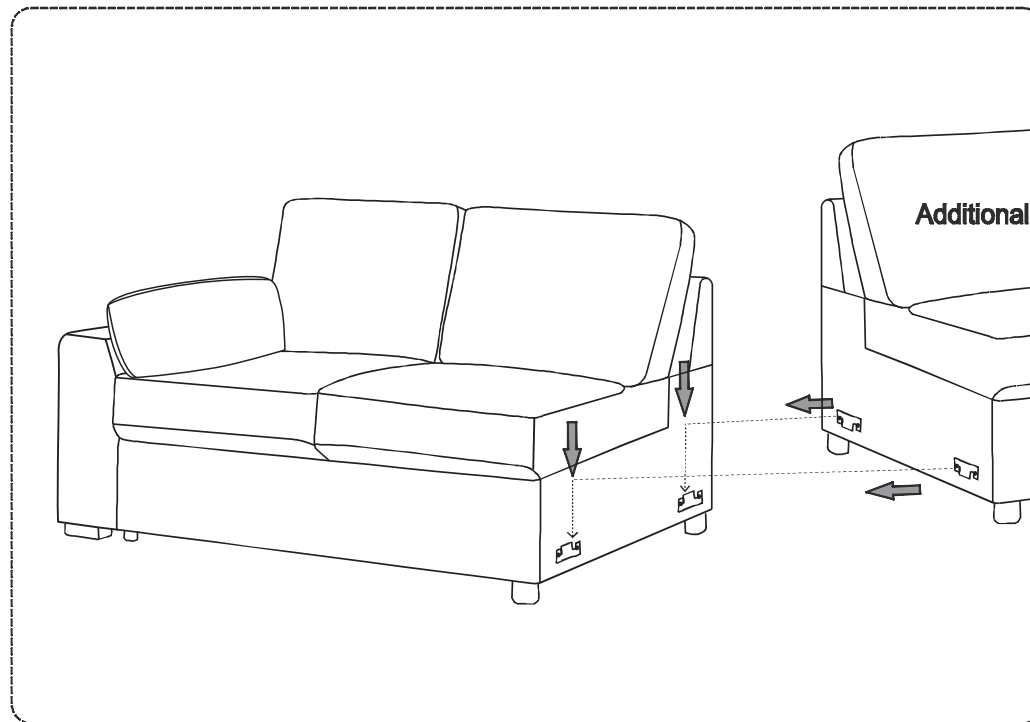
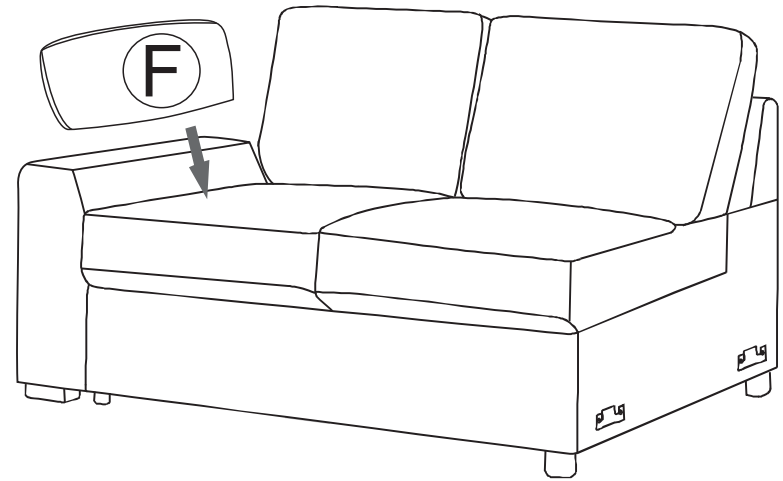
Step 3



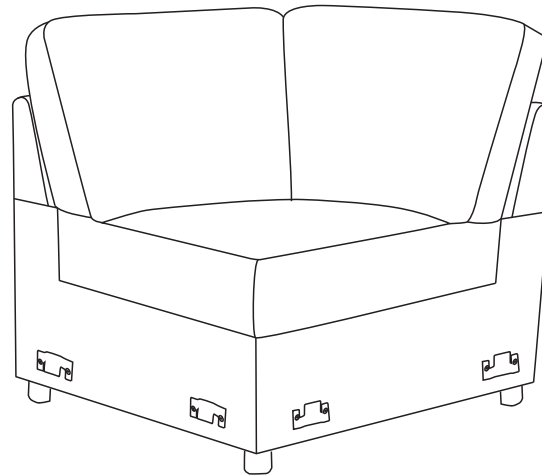
Step4



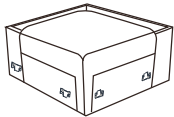
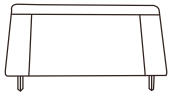
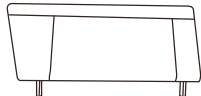
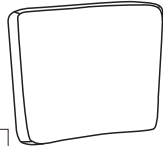
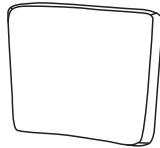
Step5



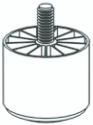
ASSEMBLY INSTRUCTION

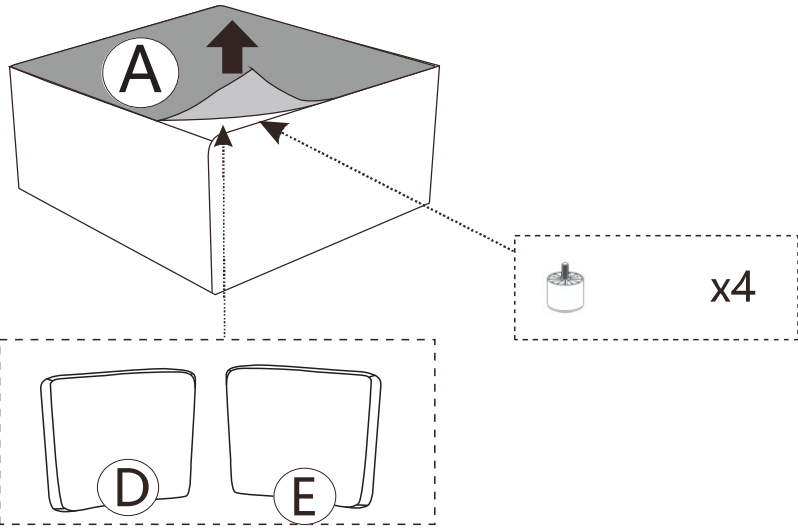


PARTS LIST

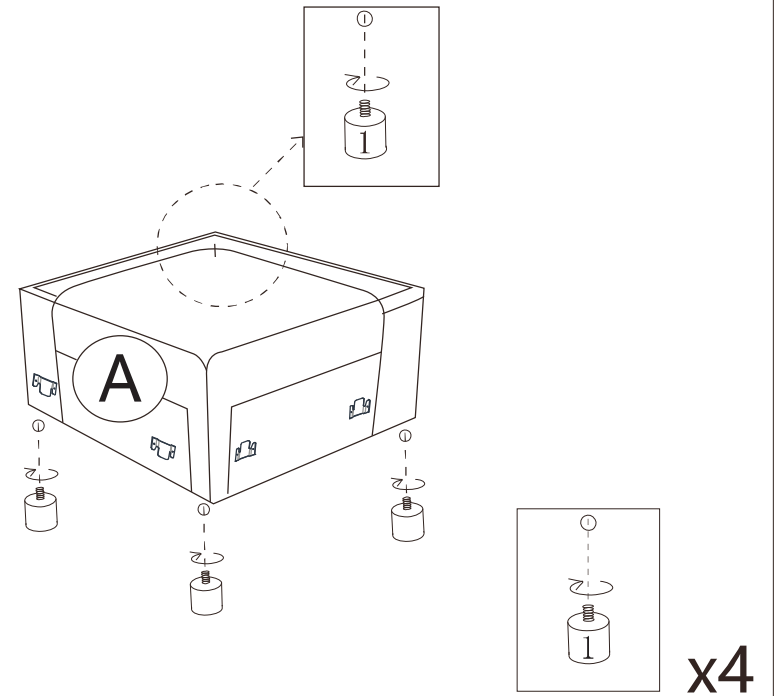
| | | | | | |
|--|--|---|--|--|--|
|  |  |  |  |  | |
| A | B | C | D | E | |
| x1 | x1 | x1 | x1 | x1 | |

HARDWARE LIST

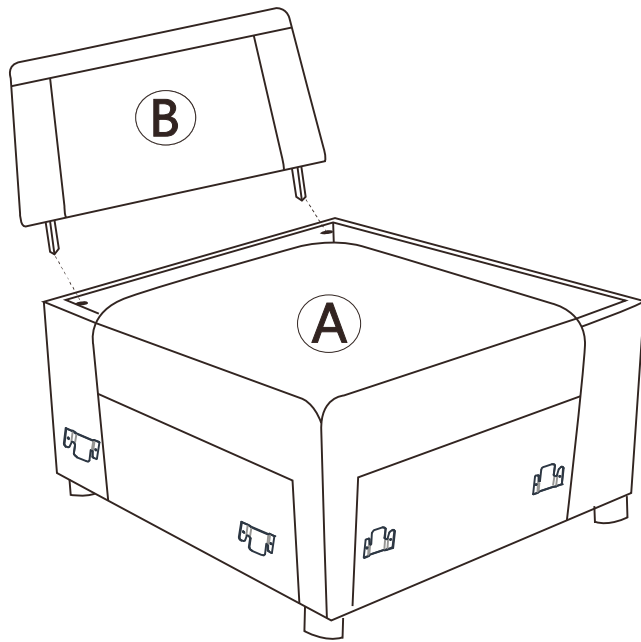
| | |
|---|--|
|  | |
| 1 | |
| x4 | |



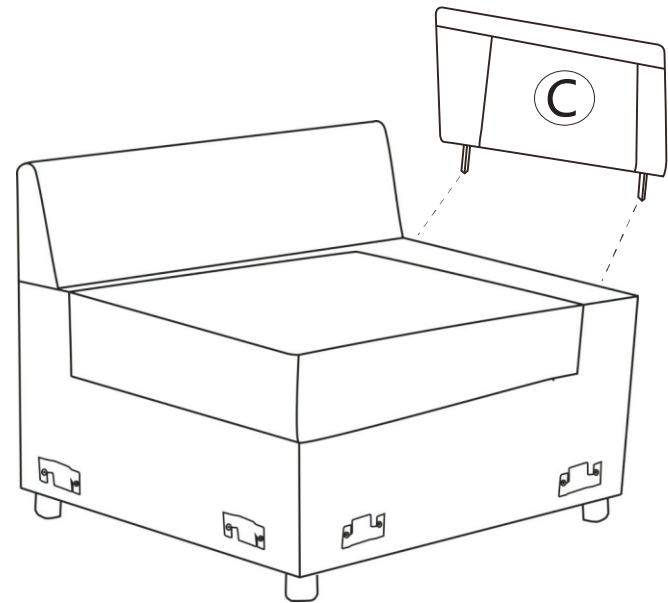
Step1



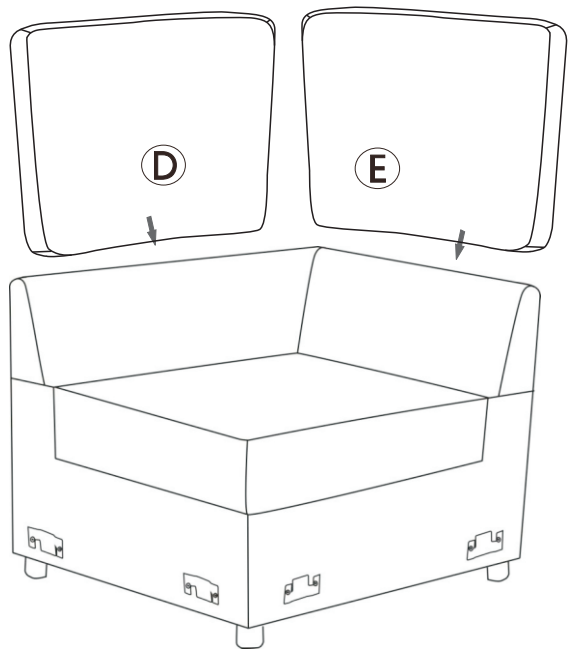
Step2



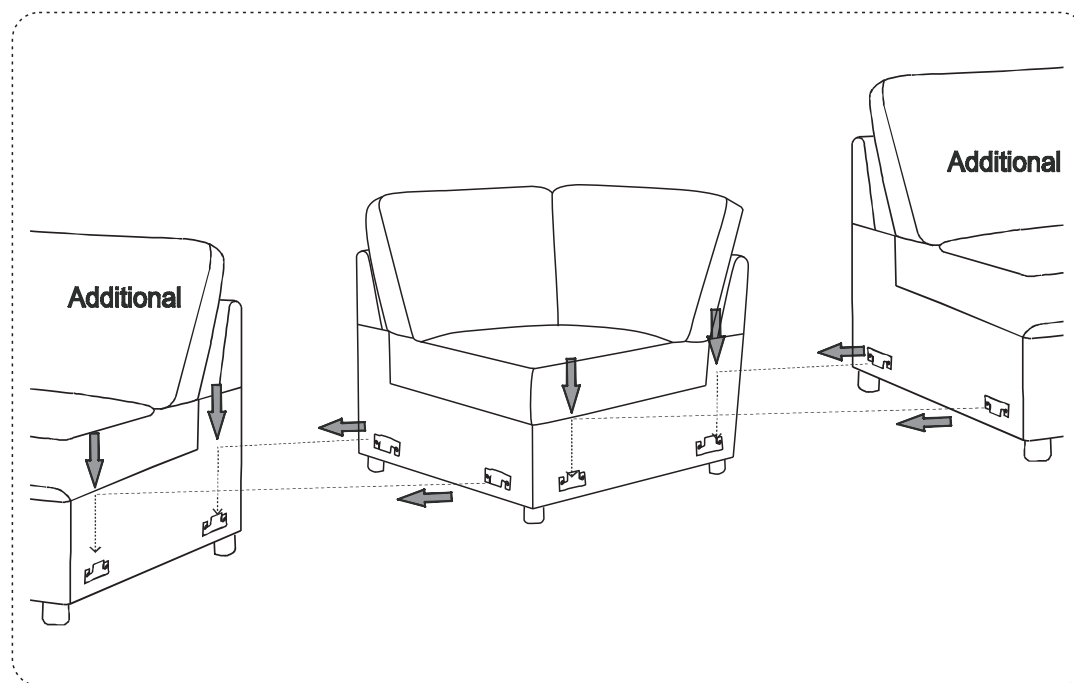
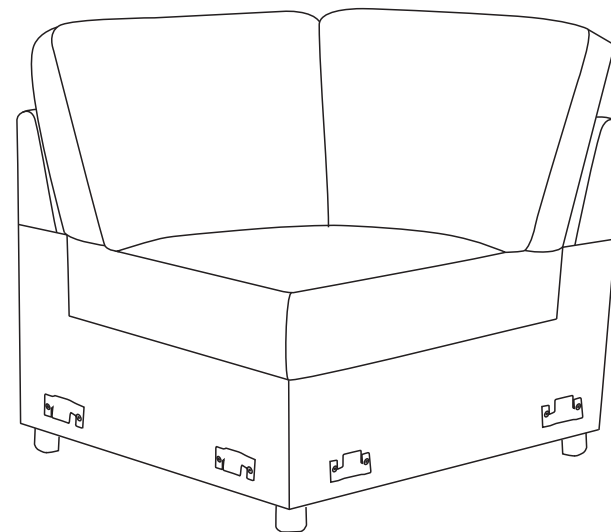
Step3



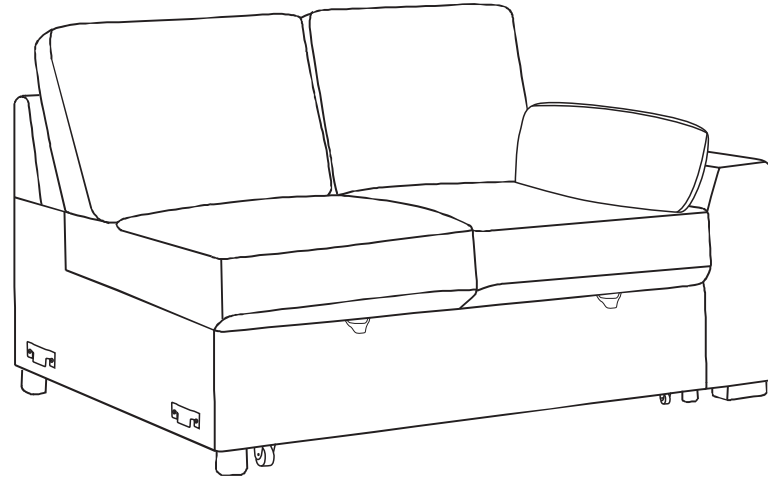
Step4



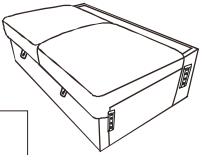
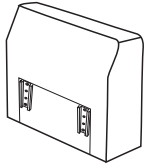
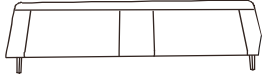



Step5




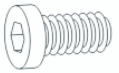

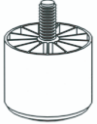
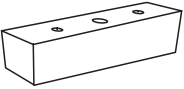



ASSEMBLY INSTRUCTION



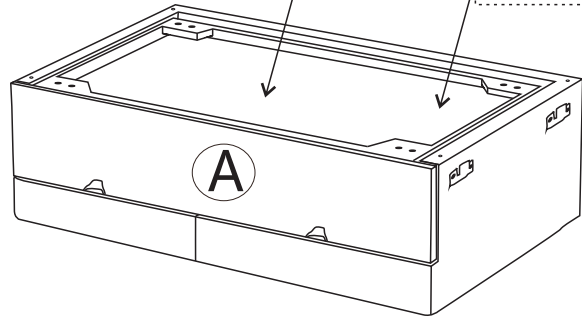
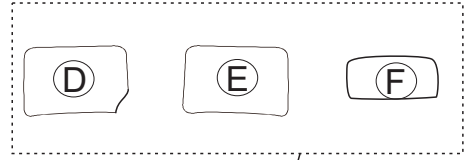
PARTS LIST








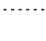
| | | | | | |
|--|--|---|--|--|--|
|  |  |  |  |  |  |
| A | B | C | D | E | F |
| x1 | x1 | x1 | x1 | x1 | x1 |

HARDWARE LIST

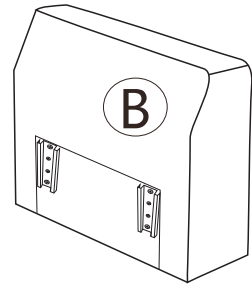
| | | | | | | | |
|---|--|---|--|---|--|---|--|
|  |  M6X25 |  M4 |  |  |  M8X60 |  M5 |  M5X50 |
| 1 | 2 | 3 | 4 | 5 | 6 | 7 | 8 |
| x4 | x8 | x1 | x4 | x2 | x2 | x1 | x4 |

BOX-1

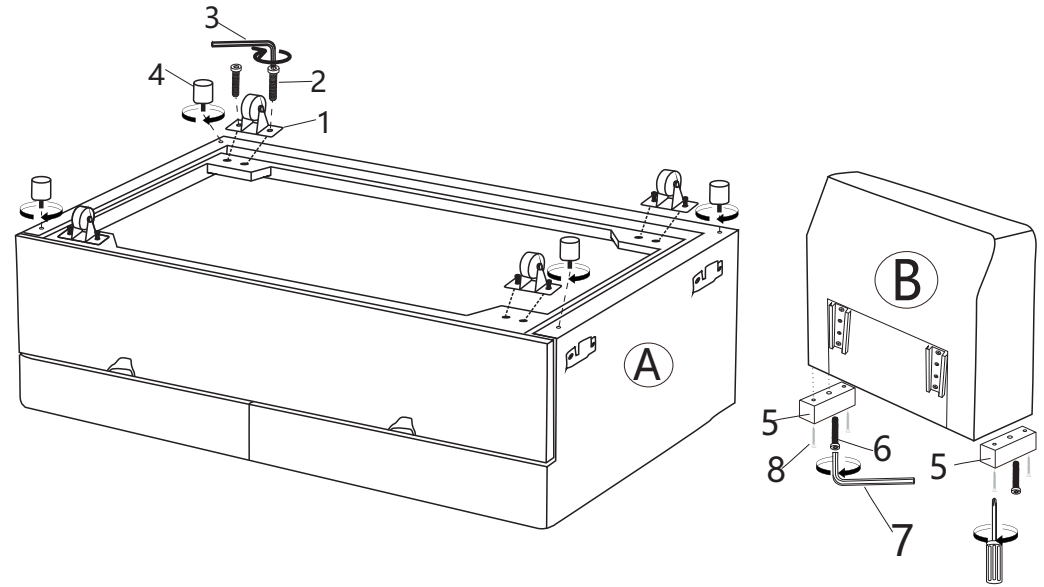


- | | | |
|---|---|----|
|  | 1 | x4 |
|  | 2 | x8 |
|  | 3 | x1 |
|  | 4 | x4 |
|  | 5 | x2 |
|  | 6 | x2 |
|  | 7 | x1 |
|  | 8 | x4 |

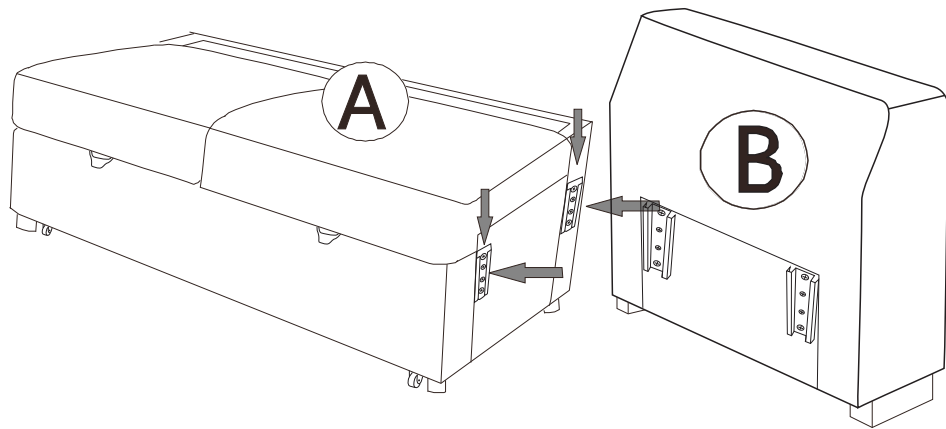
BOX-1



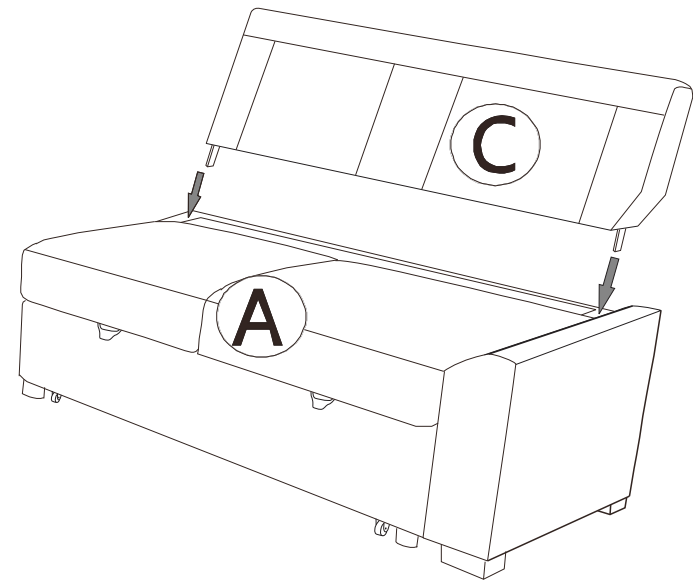
Step1



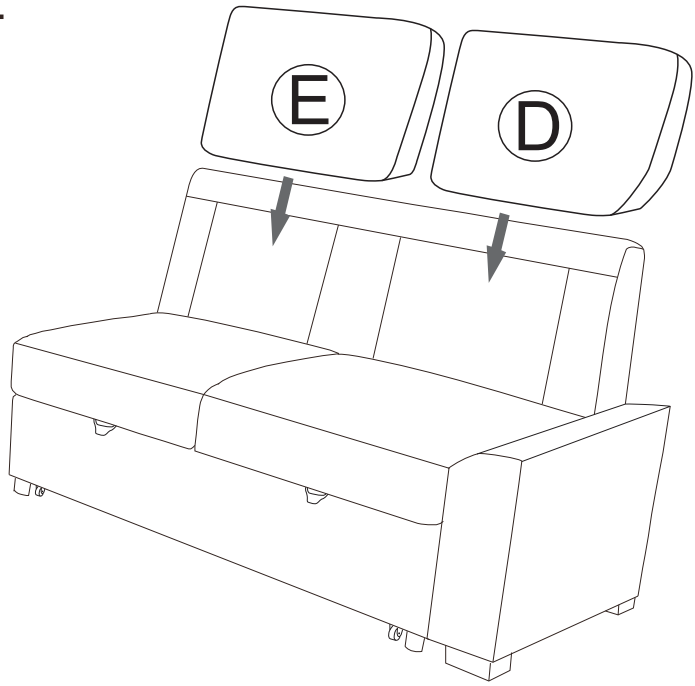
Step2



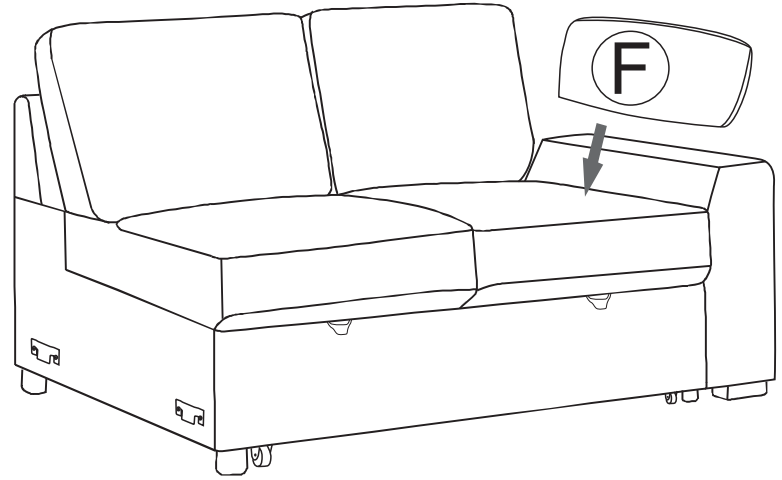
Step3



Step 4



Step 5



Step 6

