

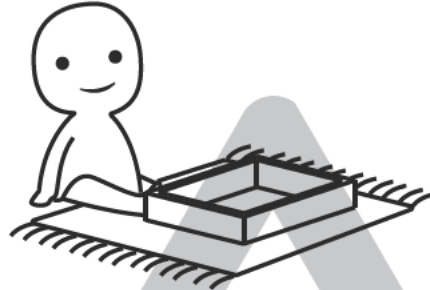
INSTALLATION

Product Manual



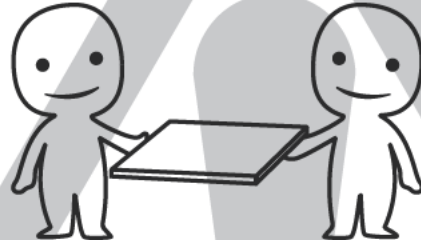
IMPORTANT INFORMATION!

please read the entire manual before starting to assemble and/or using this product. follow the manual thoroughly and keep it for further reference.



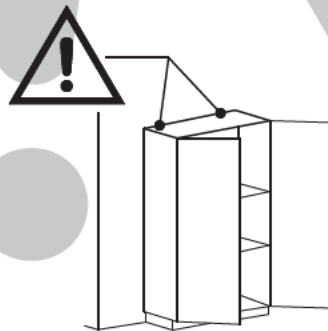
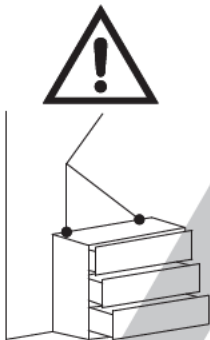
AVOID SCRATCHES!

In order to avoid scratching this furniture should be assembled on a soft layer- could be a rug.



IMPROVE EFFICIENCY !

Try to find a partner to install with you, which can speed up the installation efficiency and shorten the time.



ANTI-TOPPLE WARNING !

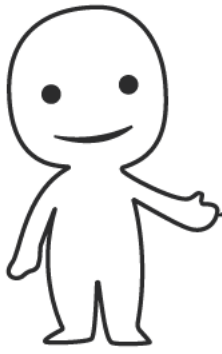
Overturnd furniture can cause serious or fatal crush injuries. To prevent tipping over, be sure to use the wall attachment, if not included with this product. Please purchase the wall attachment that fit your wall. If unsure, seek professional advice. Please read and follow each step of the instructions carefully.

IMPORTANT !

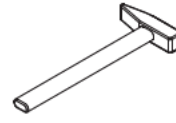
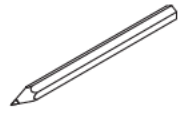
It is important that any product which is assembled using any kind of screw is re-tightened 2 weeks after assembly, and once every 3 months - in order to assure stability through-out the lifespan of the product.

For regular maintenance and cleaning of the product, for the frame, please use a rag dipped in neutral detergent to fully wipe it, and then dry it with a clean rag. For glass materials, wipe with a rag dampened with water glass cleaner, and then dry with a dry rag.

Do not use an electric screwdriver, and do not use too much force when installing, because the board is easy to break.

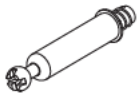


Please prepare the following tools



When installing, please carefully confirm whether each screw corresponds to the manual, accessories with similar shapes can be distinguished by size

A x 104



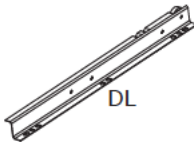
M6 x 40 mm

B x 104



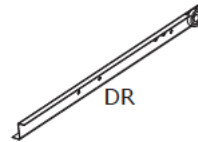
M15 x 10 mm

C x 2



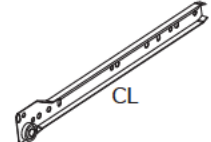
DL

D x 2



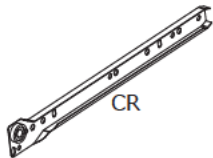
DR

E x 2



CL

F x 2



CR

G x 2



H x 4



M4 x 16 mm

I x 13



M3.5 x 25 mm

J x 16



M3 x 10 mm

K x 12

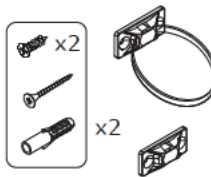


L x 28



M3 x 12 mm

M x 2



N x 3

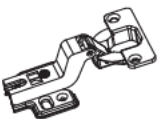


O x 3



M4 x 28 mm

P x 3

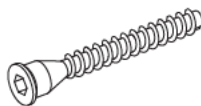


Q x 58



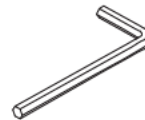
M3 x 14 mm

R x 6



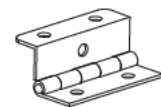
M7 x 50 mm

S x 1

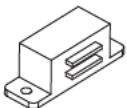


M4

T x 6



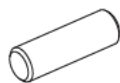
U x 4



V x 4



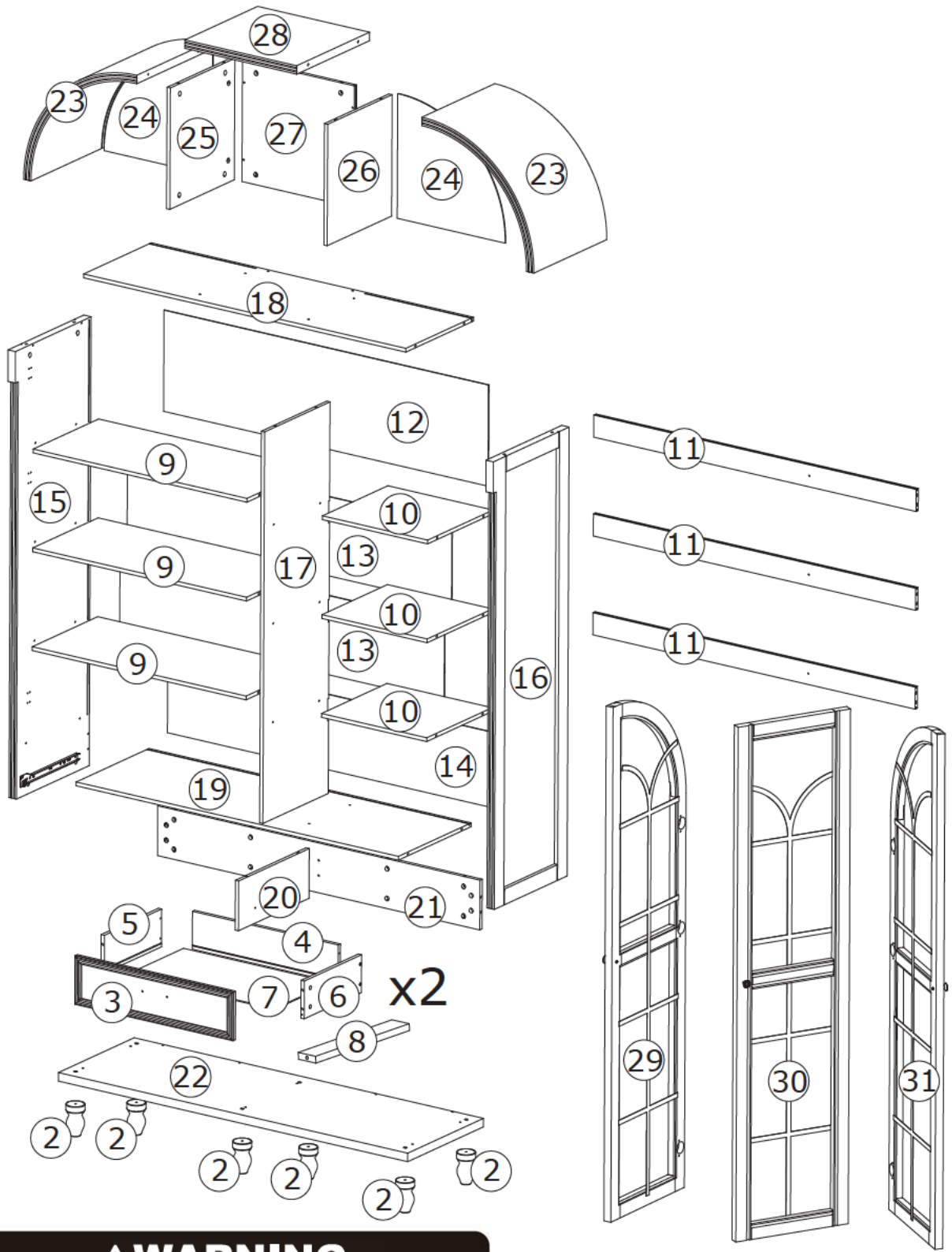
W x 4



M8 x 25 mm

Y x 4





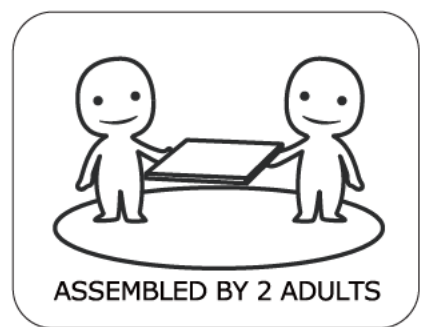
⚠ WARNING


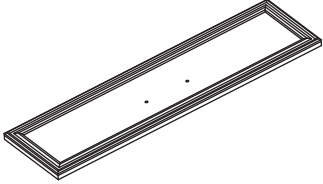
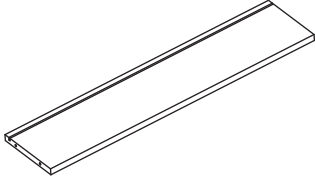
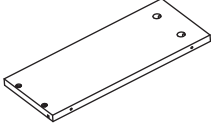
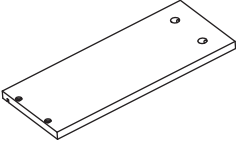
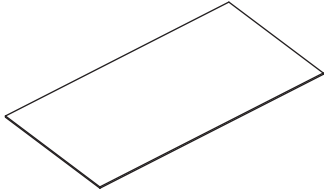
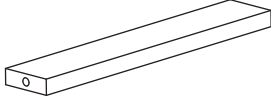
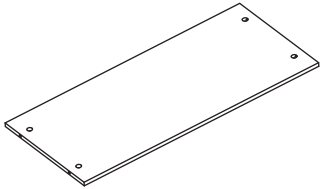
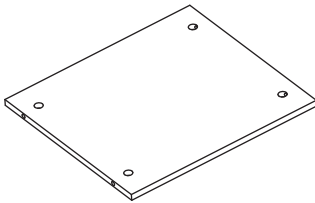
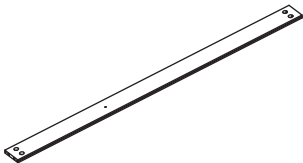
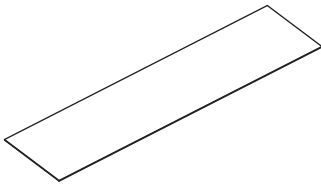
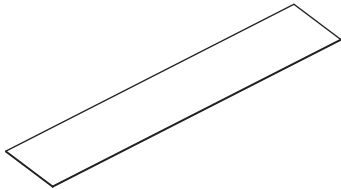
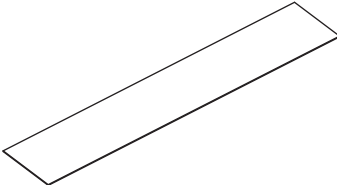
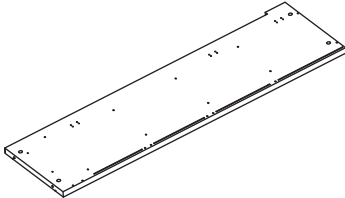
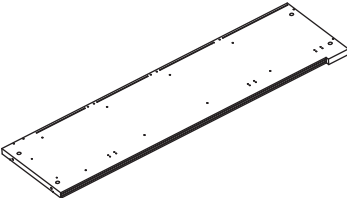
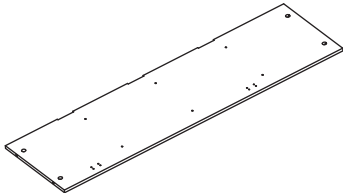
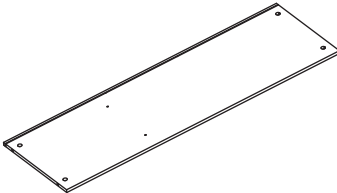
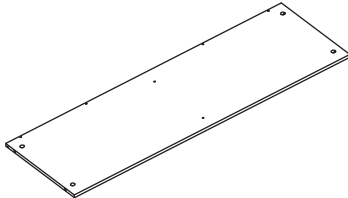
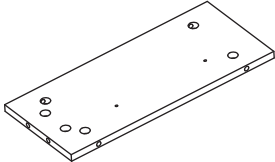
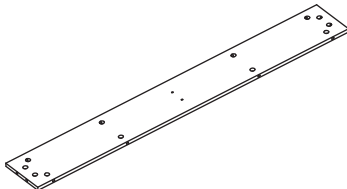


Children have died from furniture tipover. To reduce the risk of furniture tipover:

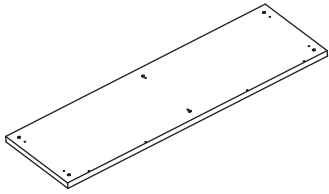
- ALWAYS install Anti-tip device provided.
- NEVER put a TV on this product.
- NEVER allow children to stand, climb or hang on drawers, doors, or shelves.
- NEVER open more than one drawer at a time.
- Place heaviest items in the lowest drawers.

This is a permanent label. Do not remove!

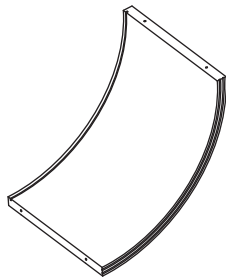


<p>② x6</p> 	<p>③ x2</p> 	<p>④ x2</p> 	<p>⑤ x2</p> 
<p>⑥ x2</p> 	<p>⑦ x2</p> 	<p>⑧ x2</p> 	<p>⑨ x3</p> 
<p>⑩ x3</p> 	<p>⑪ x3</p> 	<p>⑫ x1</p> 	<p>⑬ x2</p> 
<p>⑭ x1</p> 	<p>⑮ x1</p> 	<p>⑯ x1</p> 	<p>⑰ x1</p> 
<p>⑱ x1</p> 	<p>⑲ x1</p> 	<p>⑳ x1</p> 	<p>㉑ x1</p> 

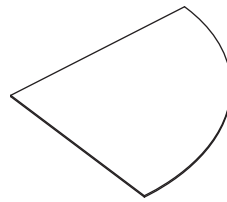
22 x1



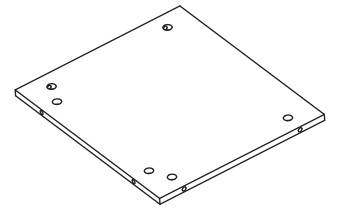
23 x2



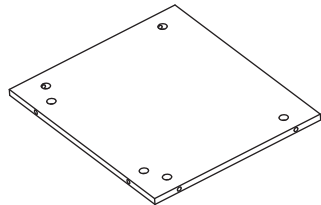
24 x2



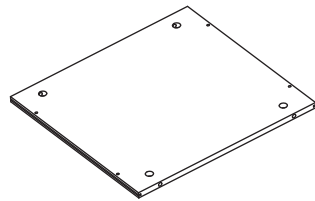
25 x1



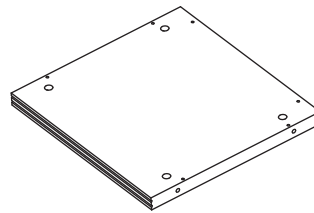
26 x1



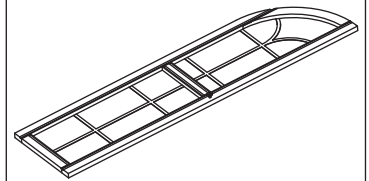
27 x1



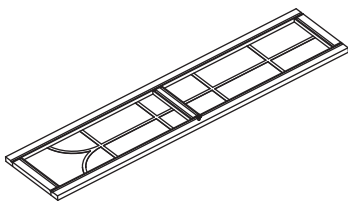
28 x1



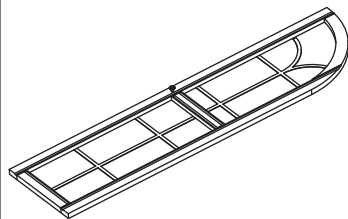
29 x1



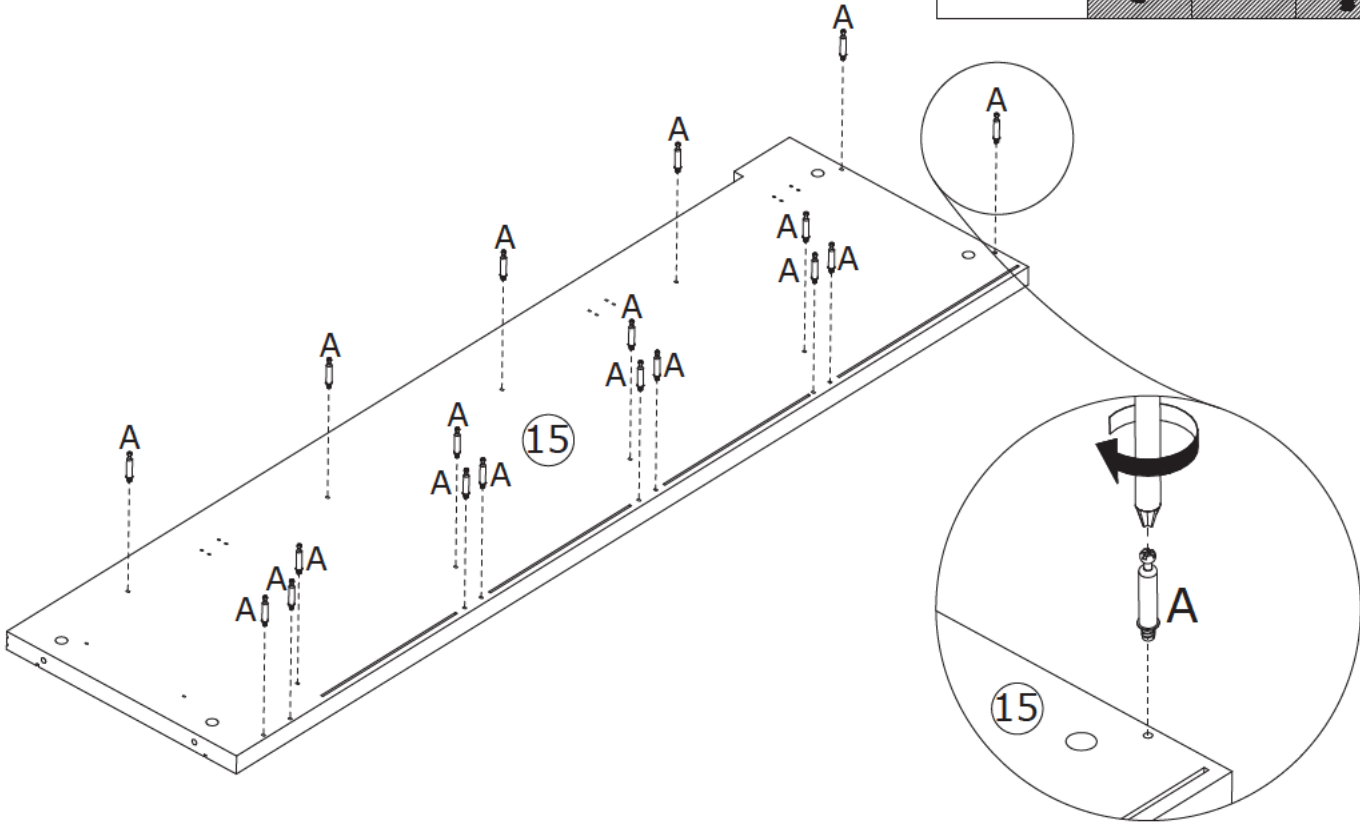
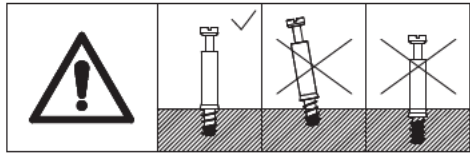
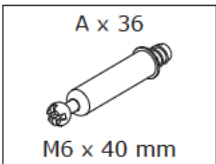
30 x1



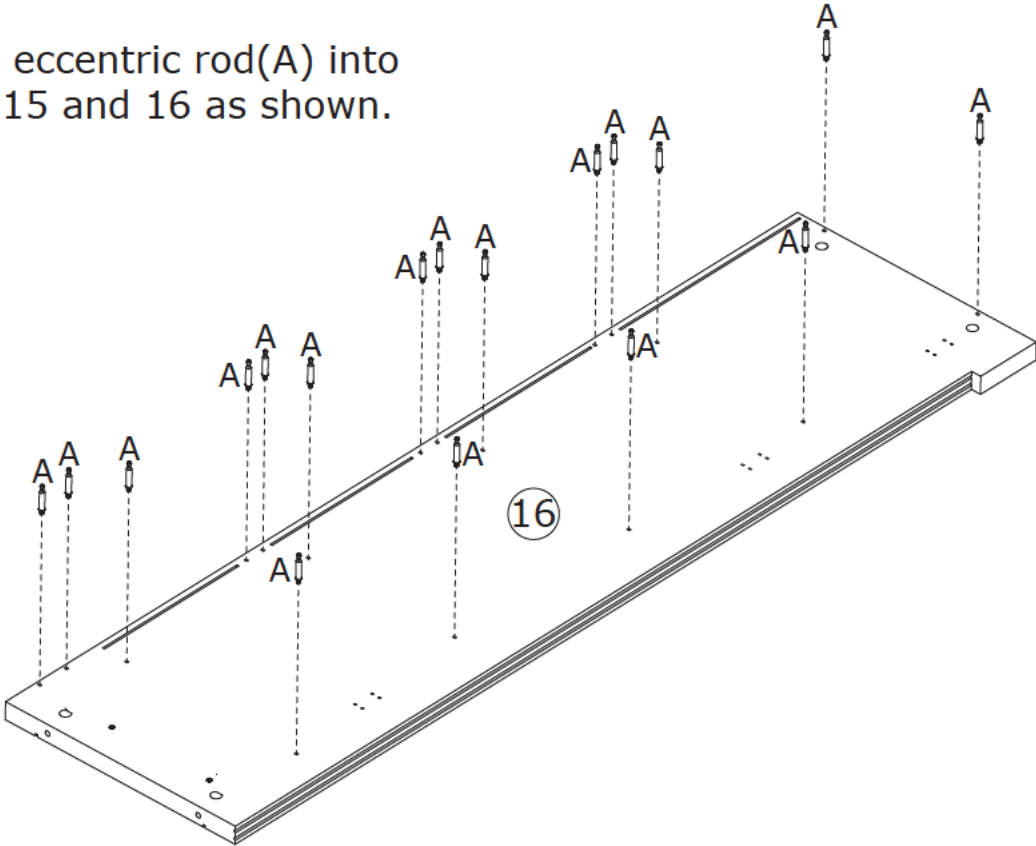
31 x1



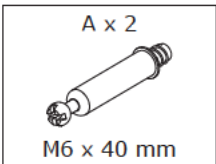
1



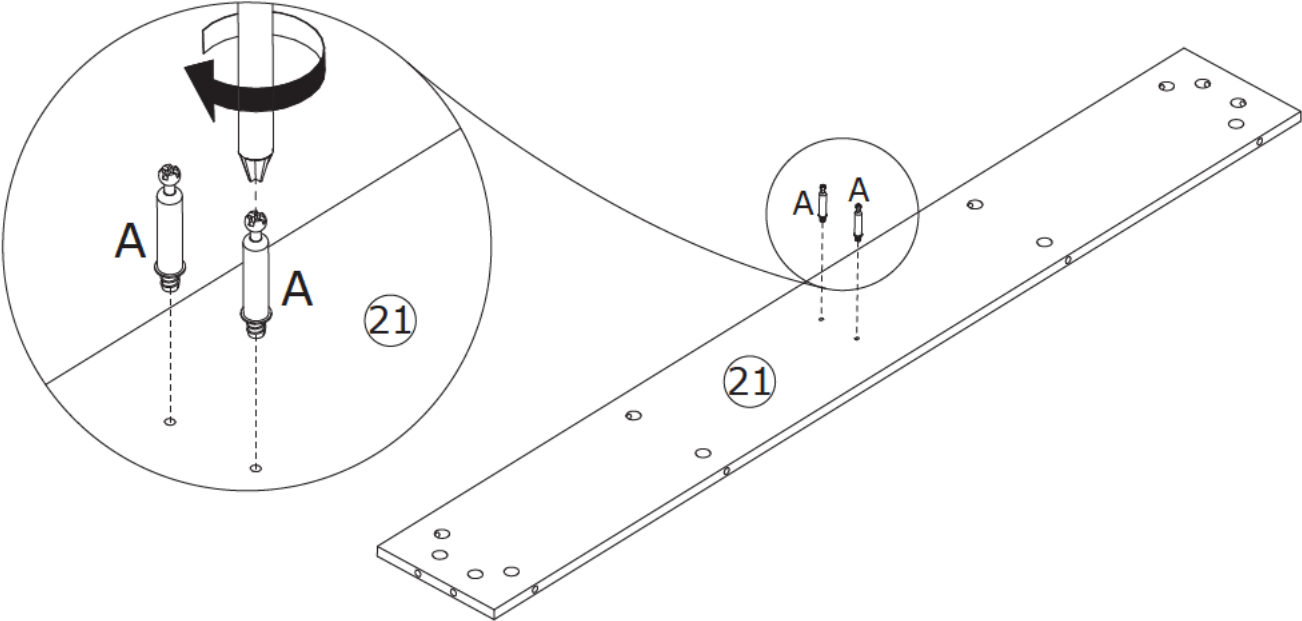
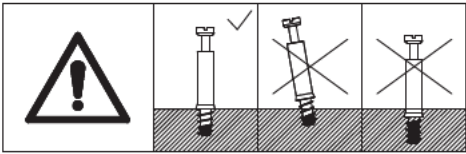
Screw eccentric rod(A) into panel 15 and 16 as shown.



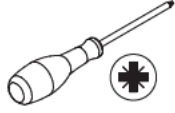
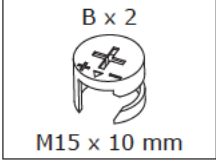
3



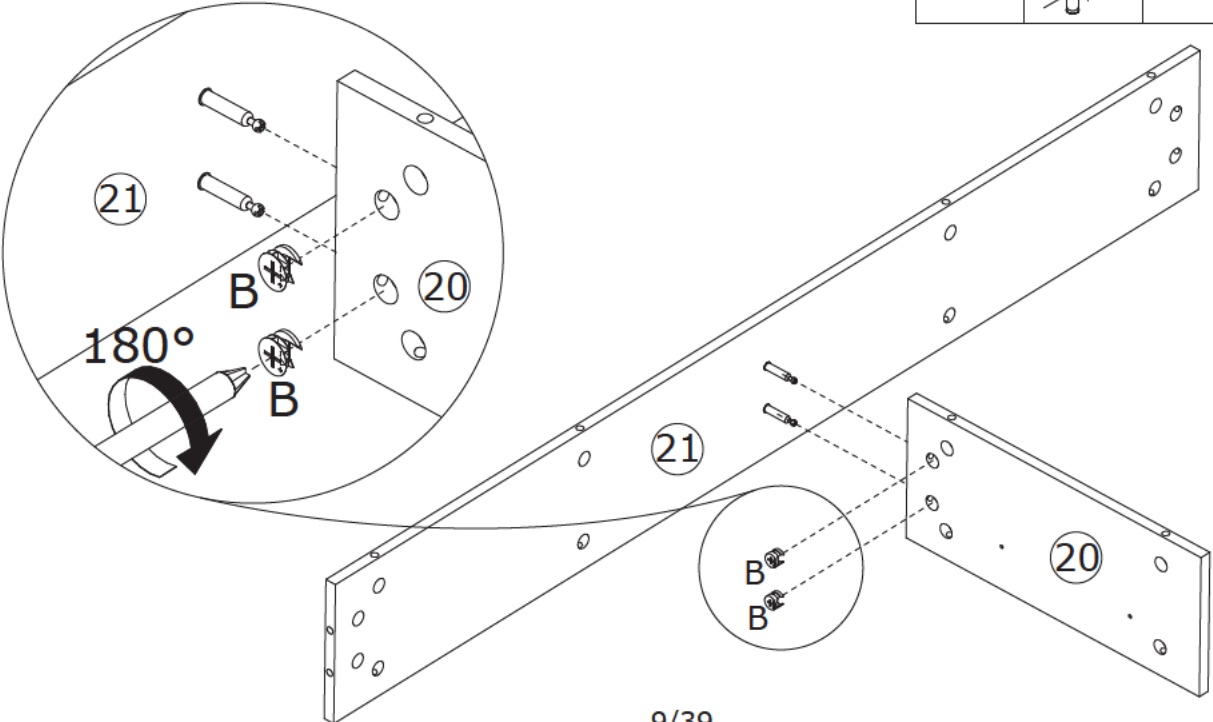
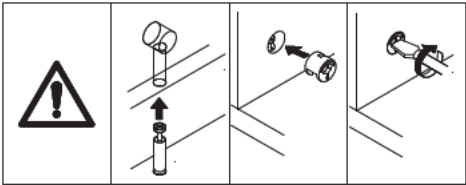
Screw eccentric rod(A) into panel 21 as shown.



4

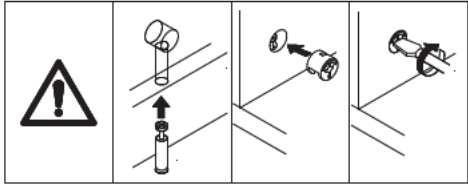
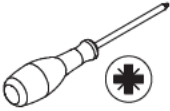


Connect panel 20 to panel 21, add cam lock(B) into panel 20 and turn clockwise to tighten as shown.

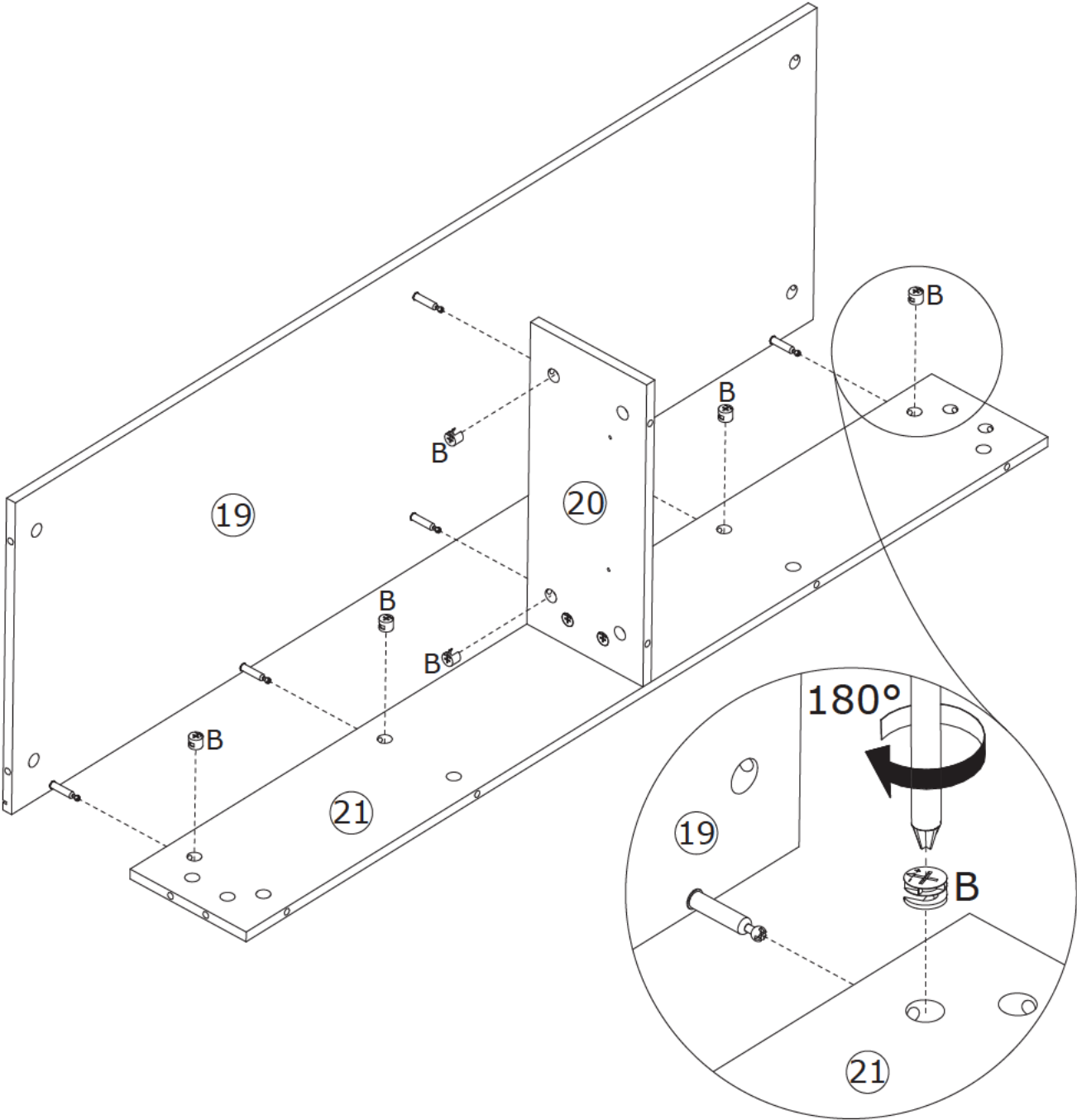


5

B x 6
M15 x 10 mm

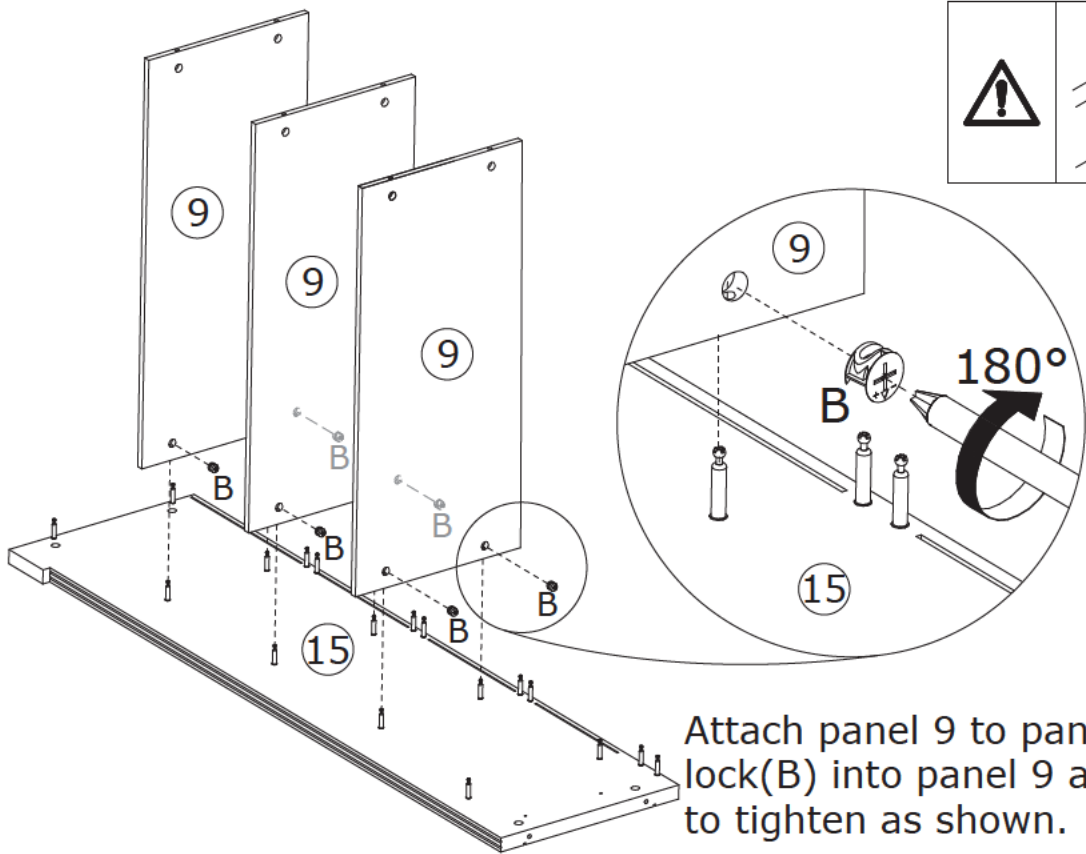
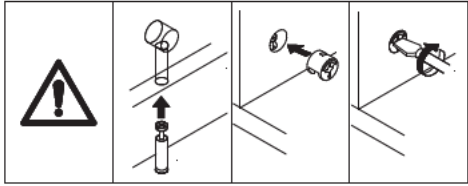
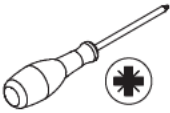


Attach panel 19 to panel 20 and 21, add cam lock(B) into panel 20,21 and turn clockwise to tighten as shown.



6

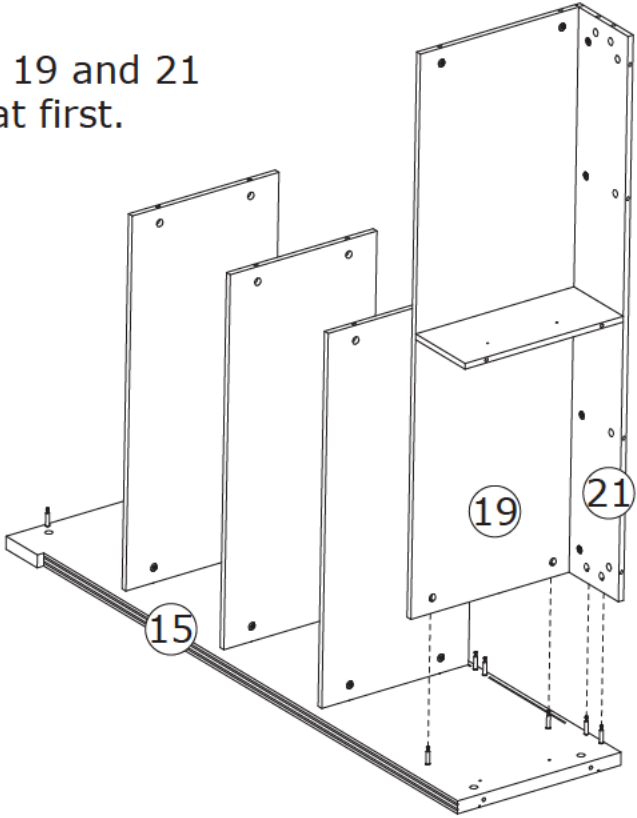
B x 6
M15 x 10 mm



Attach panel 9 to panel 15, add cam lock(B) into panel 9 and turn clockwise to tighten as shown.

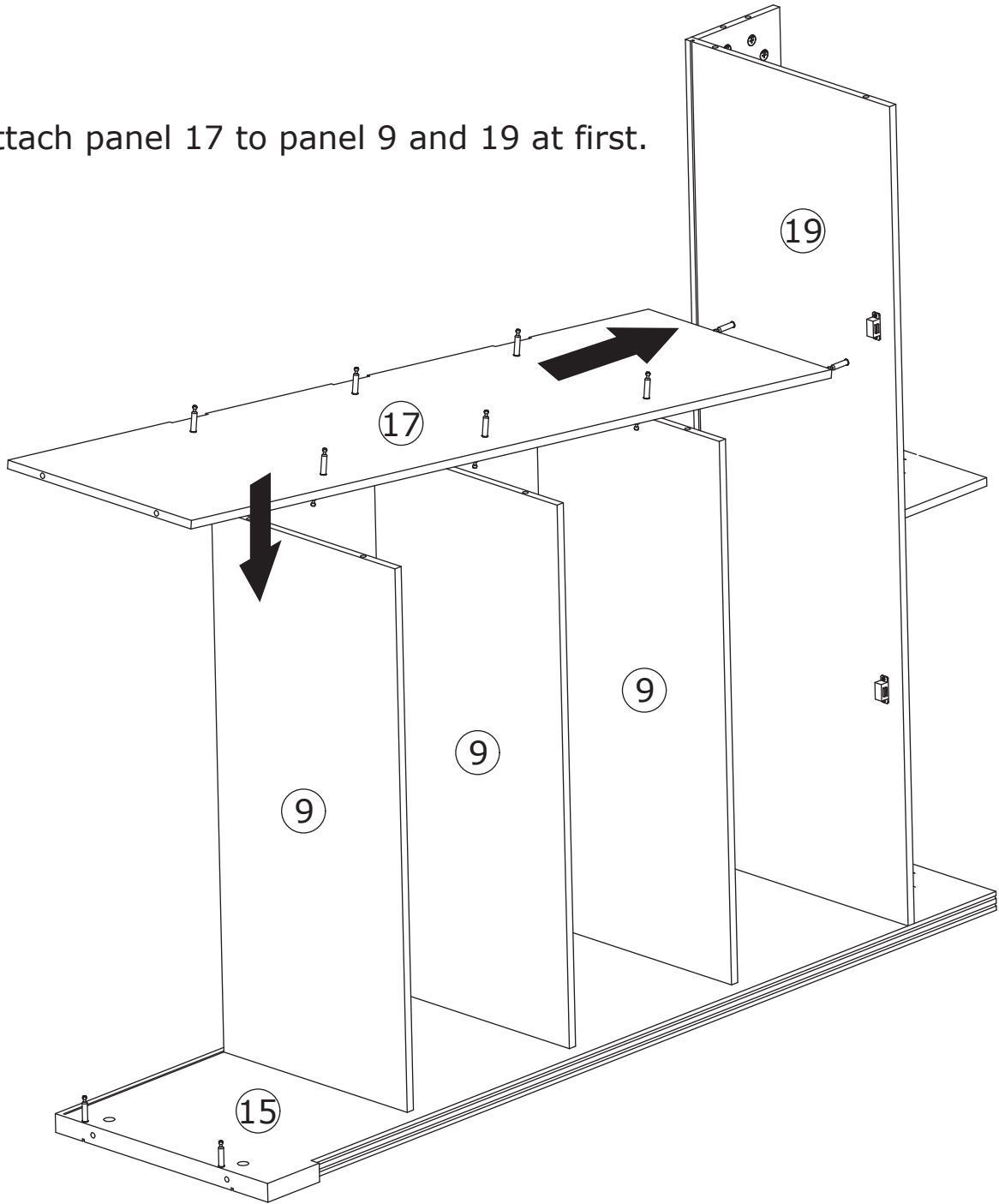
7

Attach panel 19 and 21 to panel 15 at first.



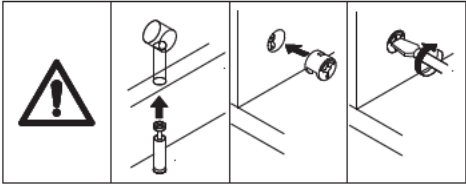
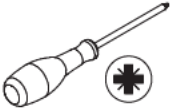
8

Attach panel 17 to panel 9 and 19 at first.

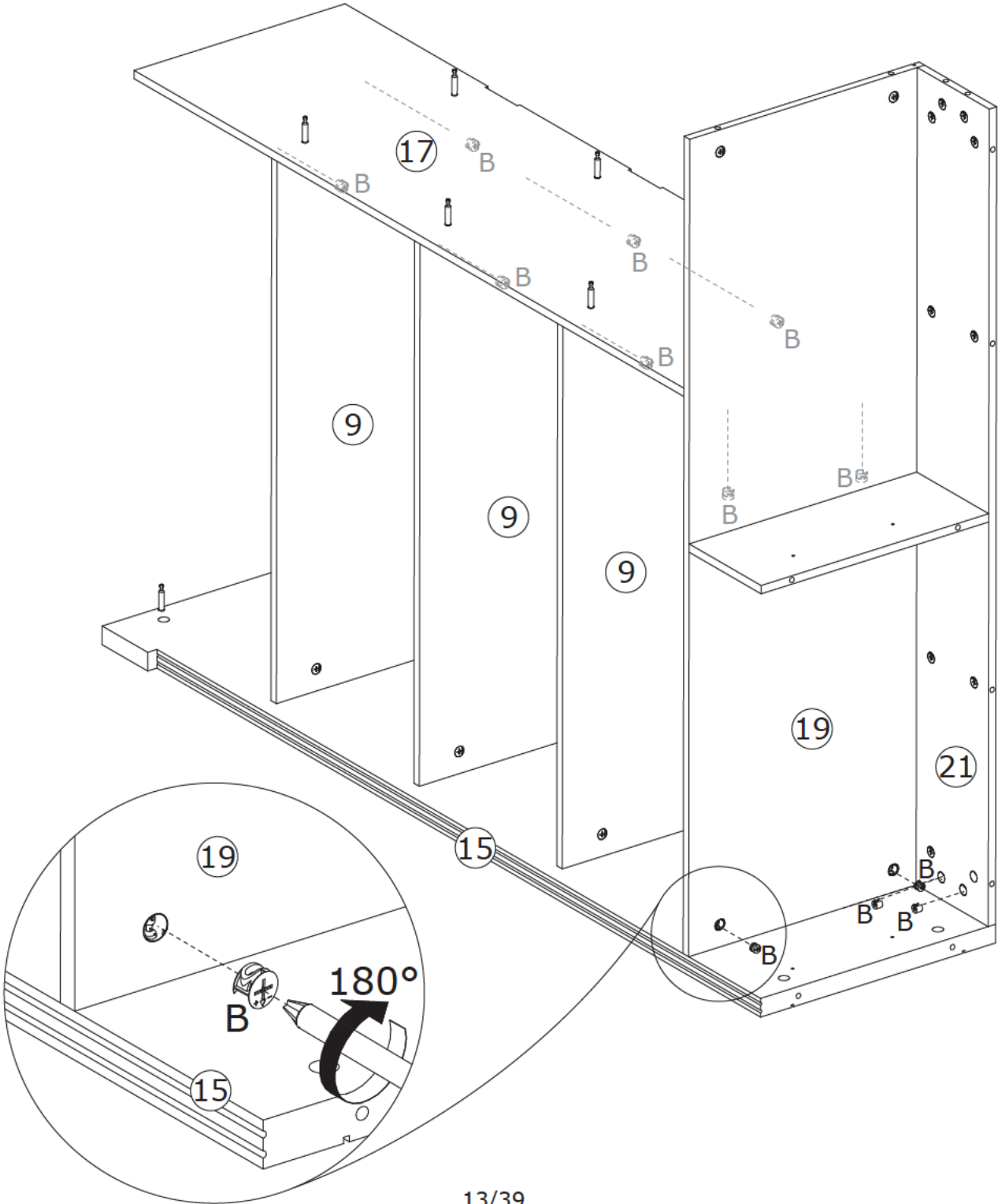


9

B x 12
M15 x 10 mm

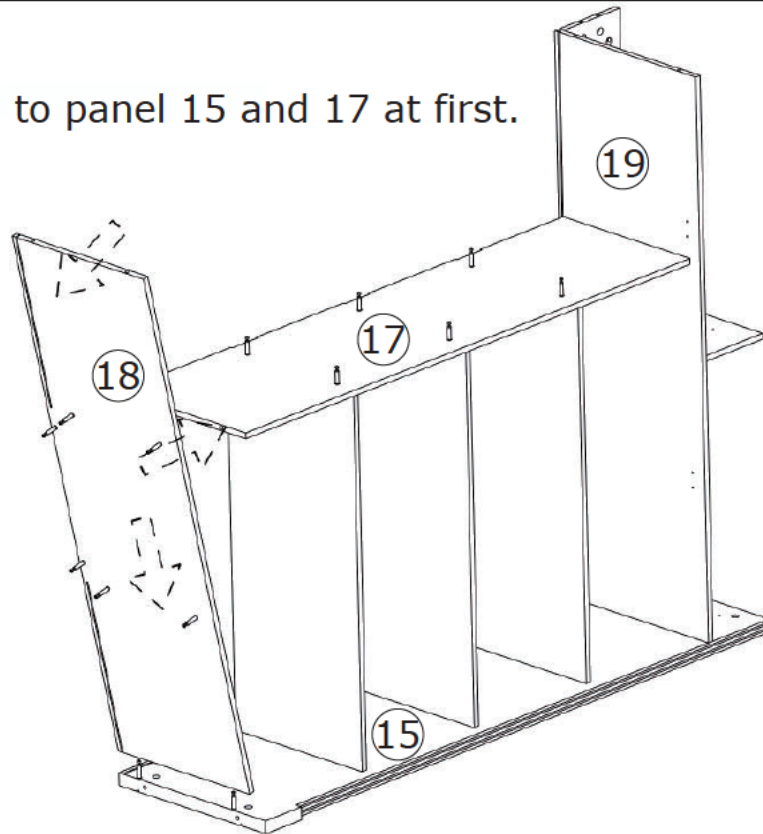


Add cam lock(B) into panel 9, 17, 19 and 21,
and turn clockwise to tighten as shown.



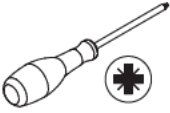
10

Attach panel 18 to panel 15 and 17 at first.

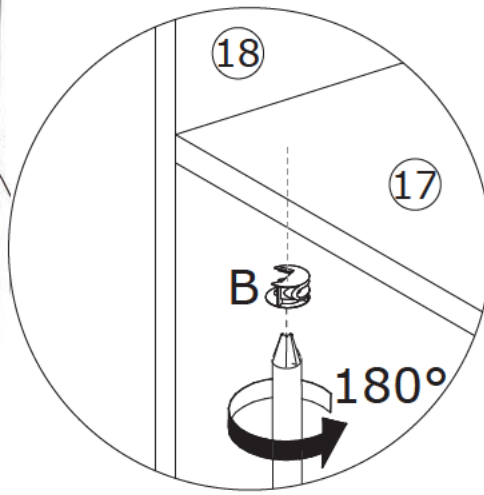
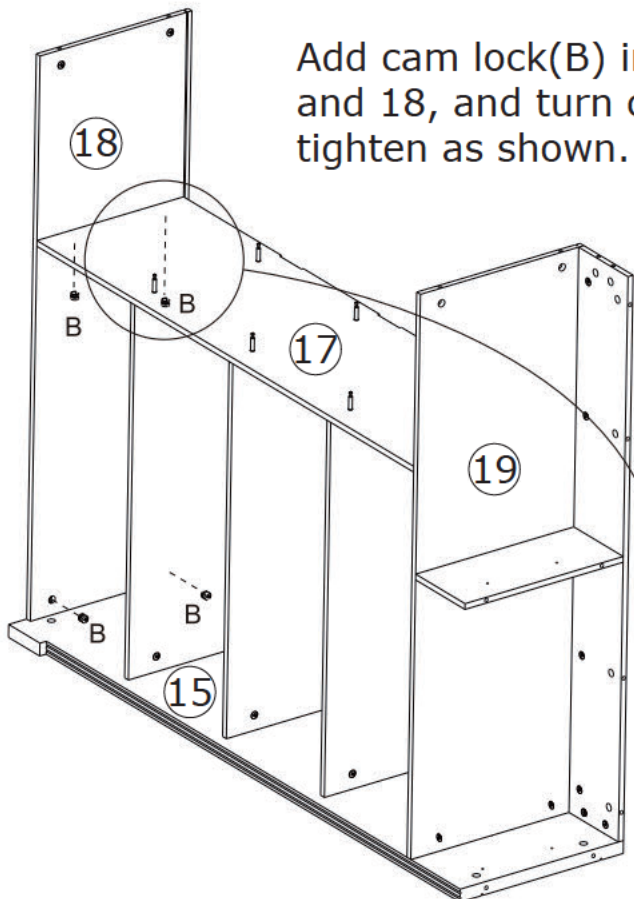
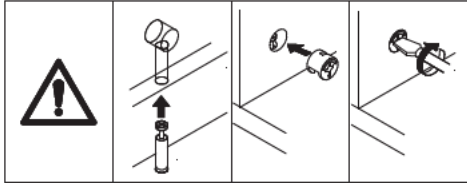


11

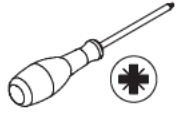
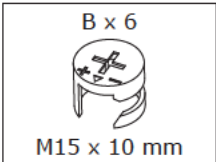
B x 4
M15 x 10 mm



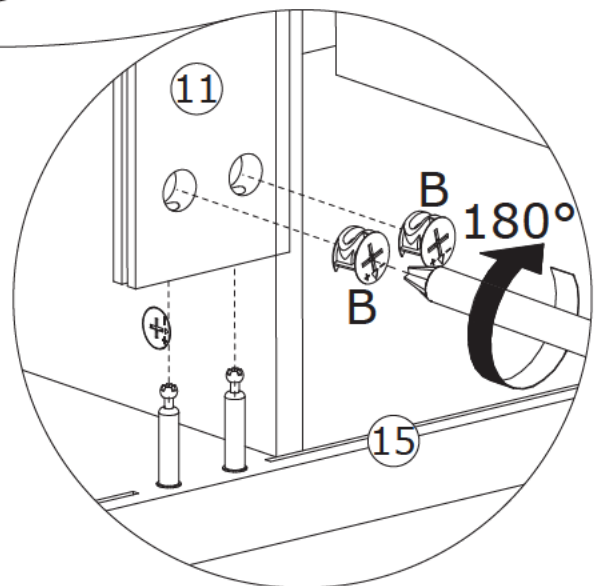
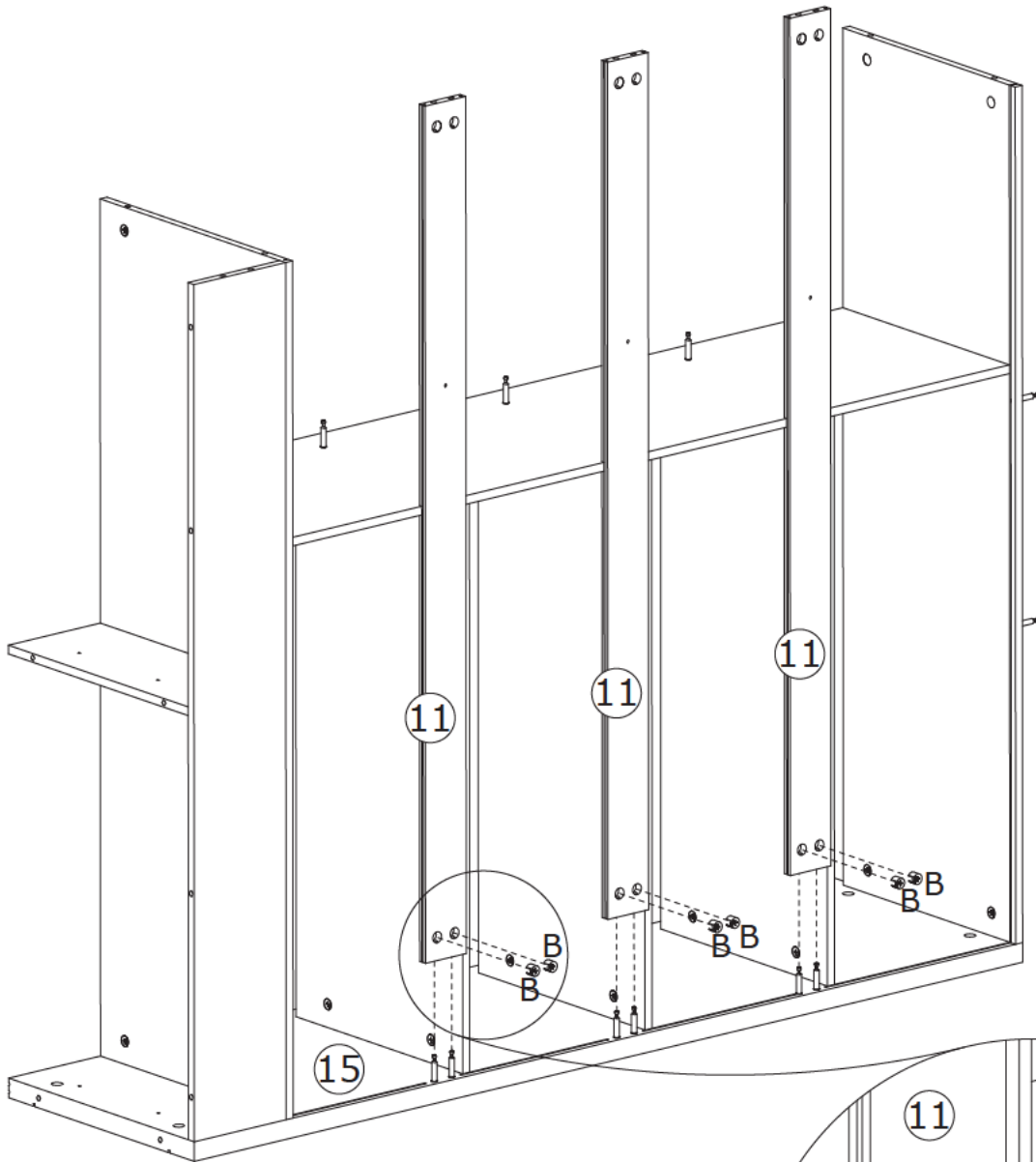
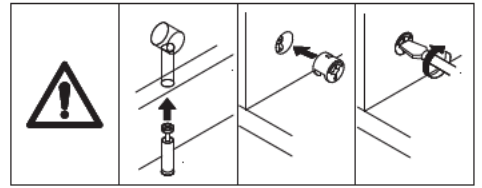
Add cam lock(B) into panel 17 and 18, and turn clockwise to tighten as shown.



12

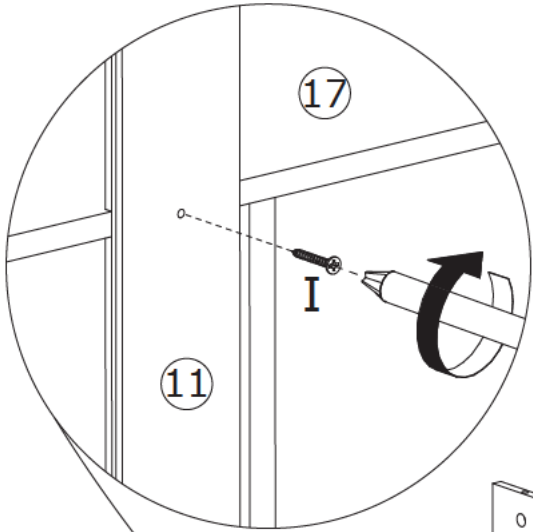
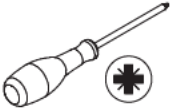


Attach panel 11 to panel 15, add cam lock(B) into panel 11 and turn clockwise to tighten as shown.

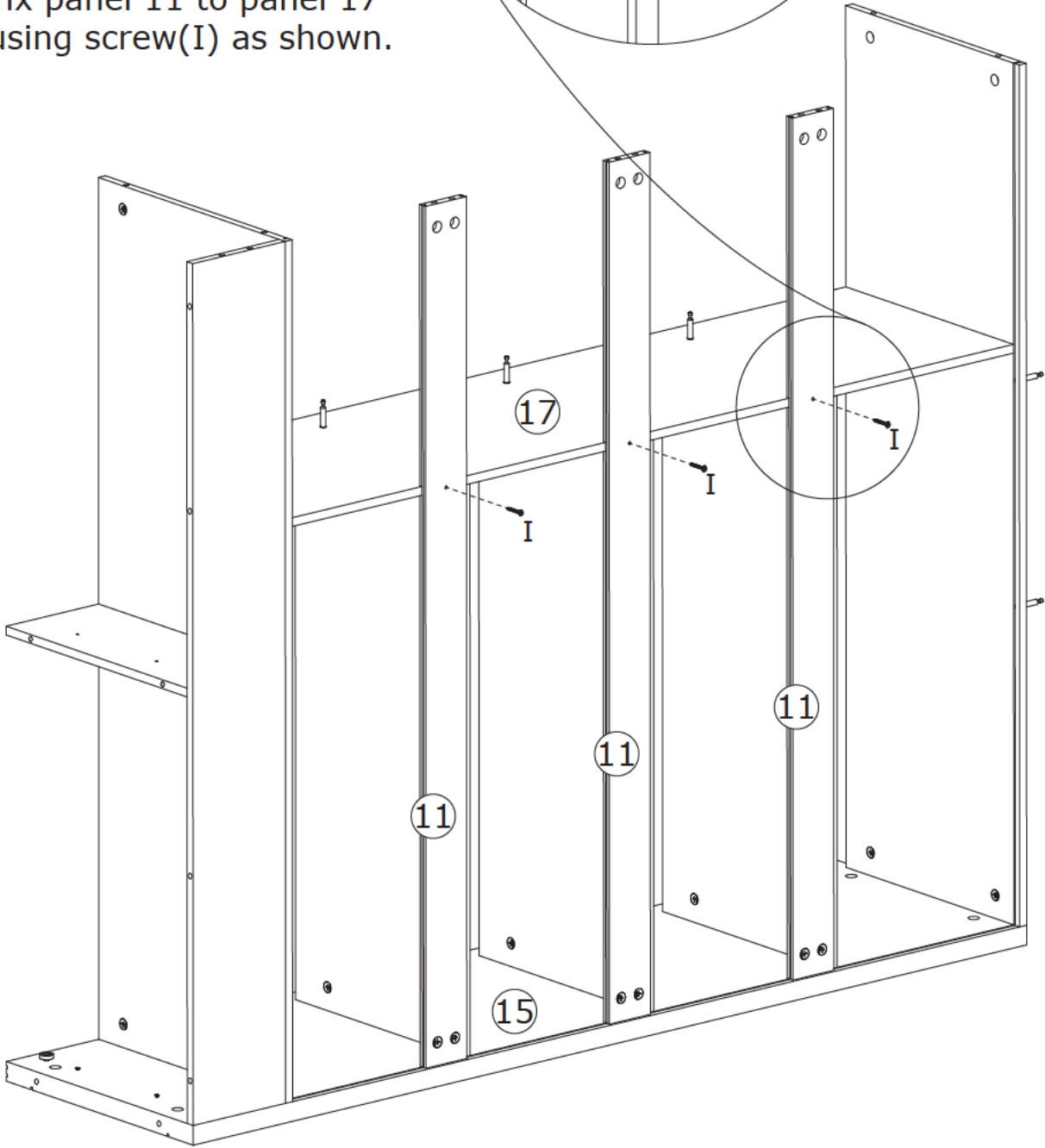


13

I x 3
M3.5 x 25 mm

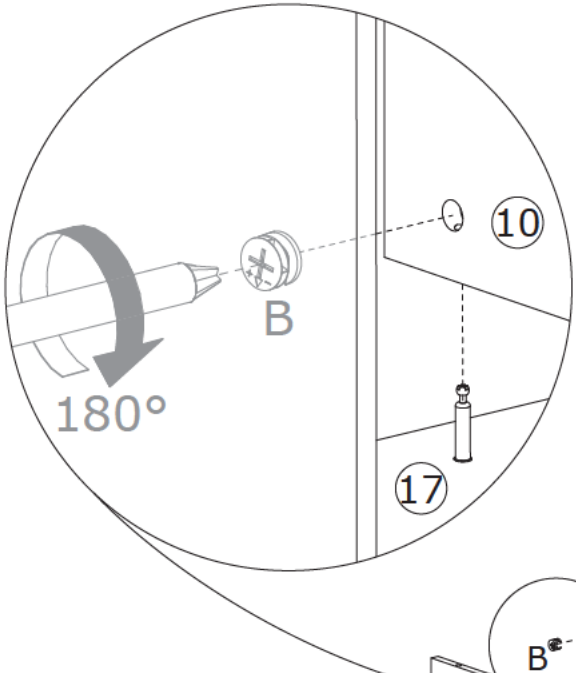
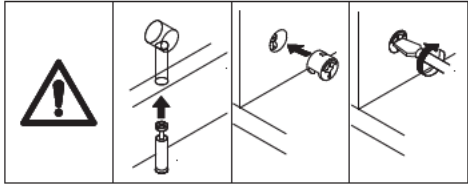
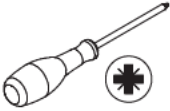


Fix panel 11 to panel 17 using screw(I) as shown.

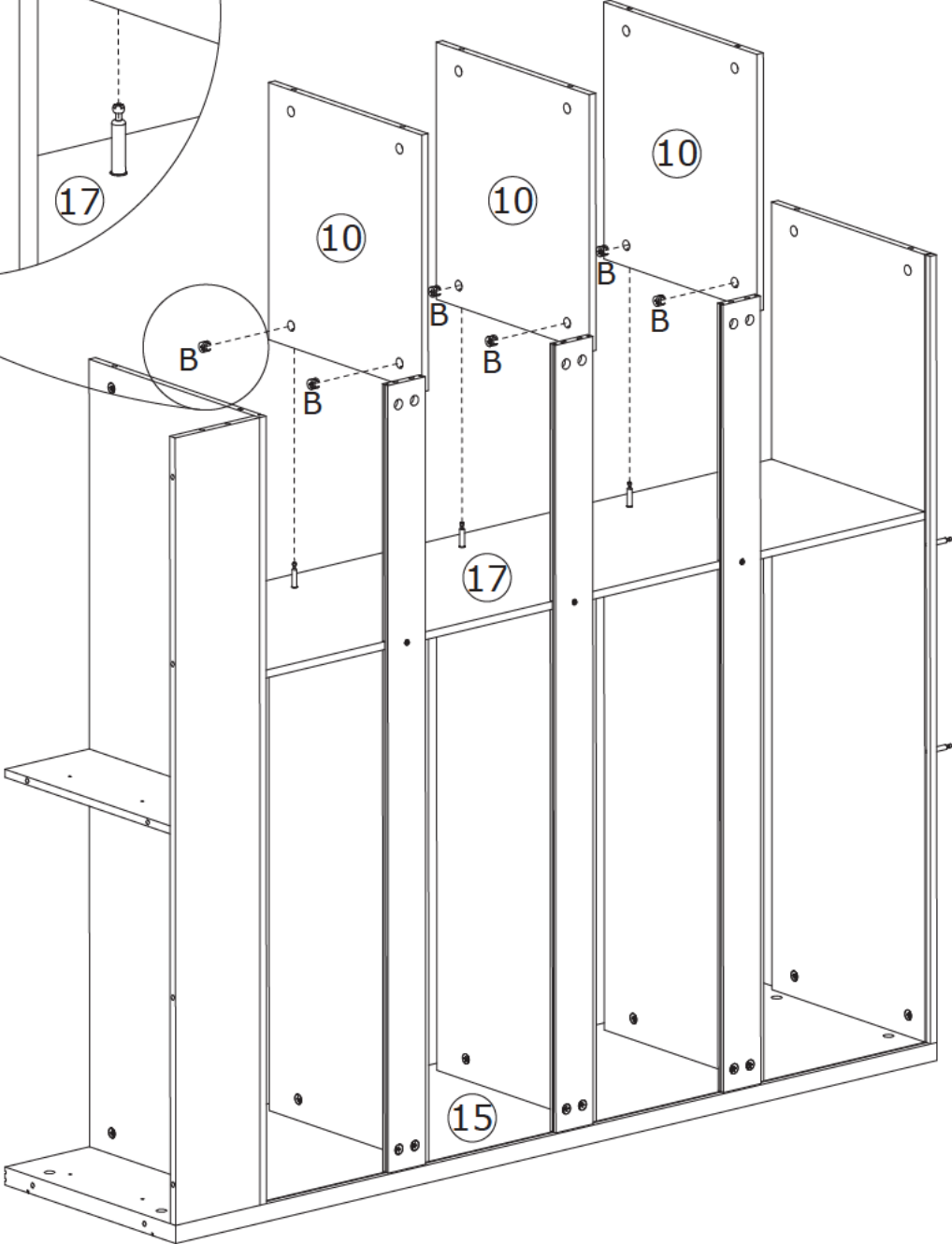


14

B x 6
M15 x 10 mm

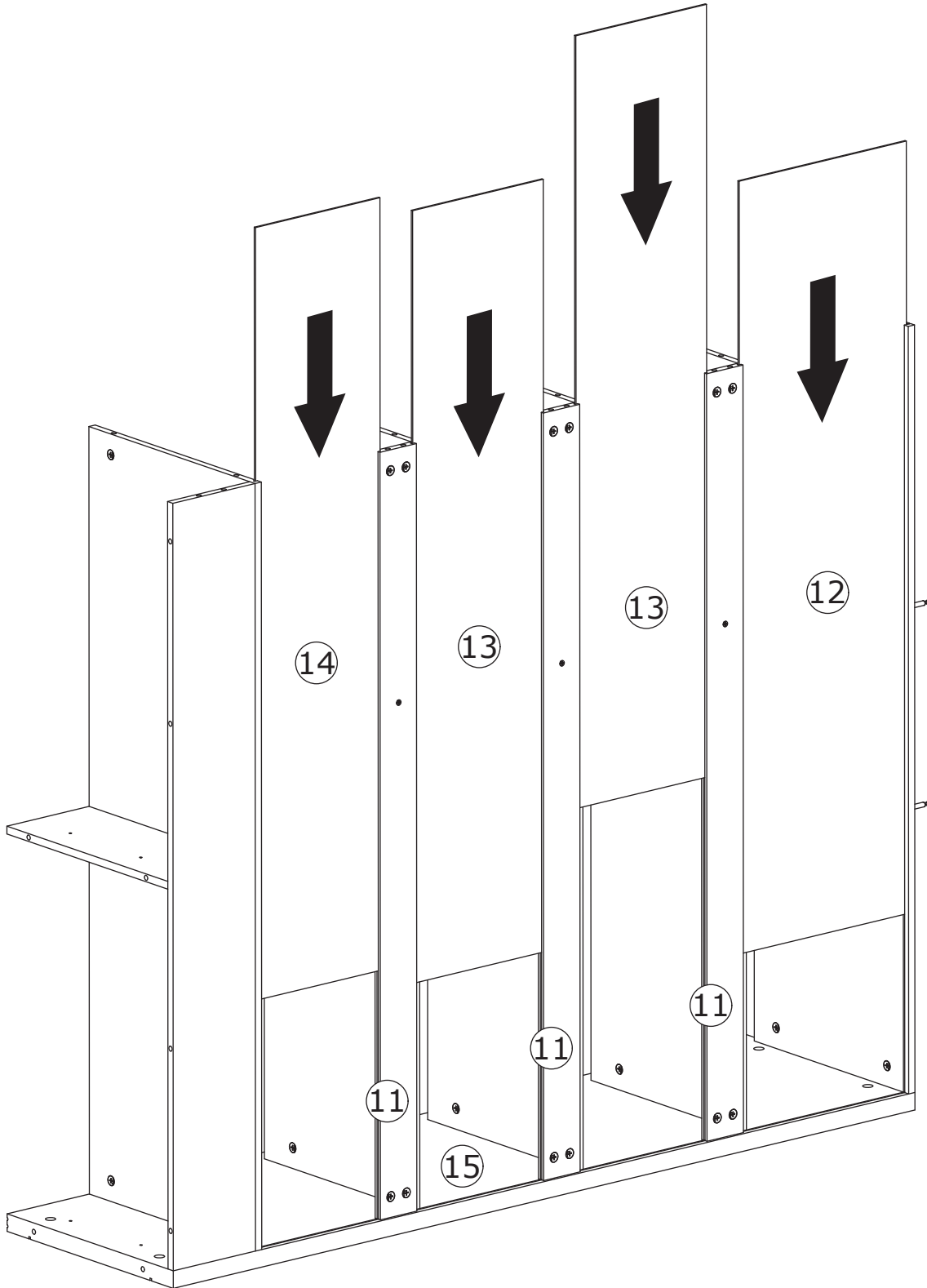


Attach panel 10 to panel 17, add cam lock(B) into panel 10 and turn clockwise to tighten as shown.

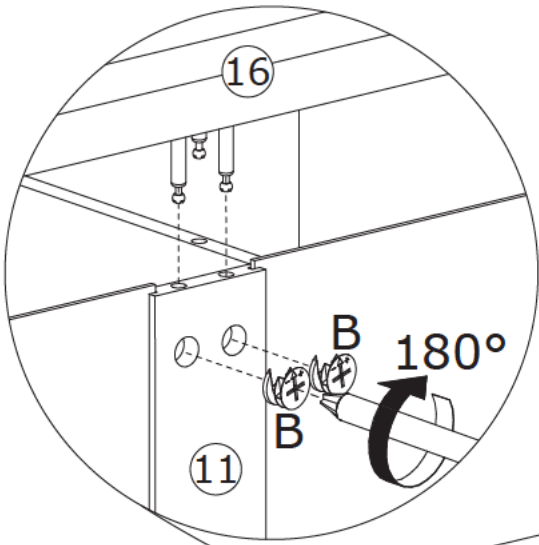
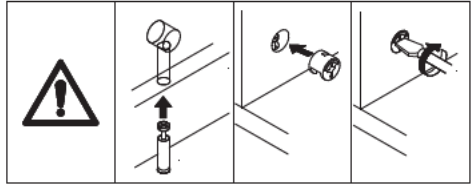
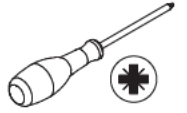
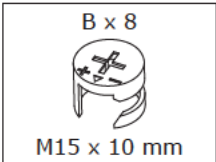


15

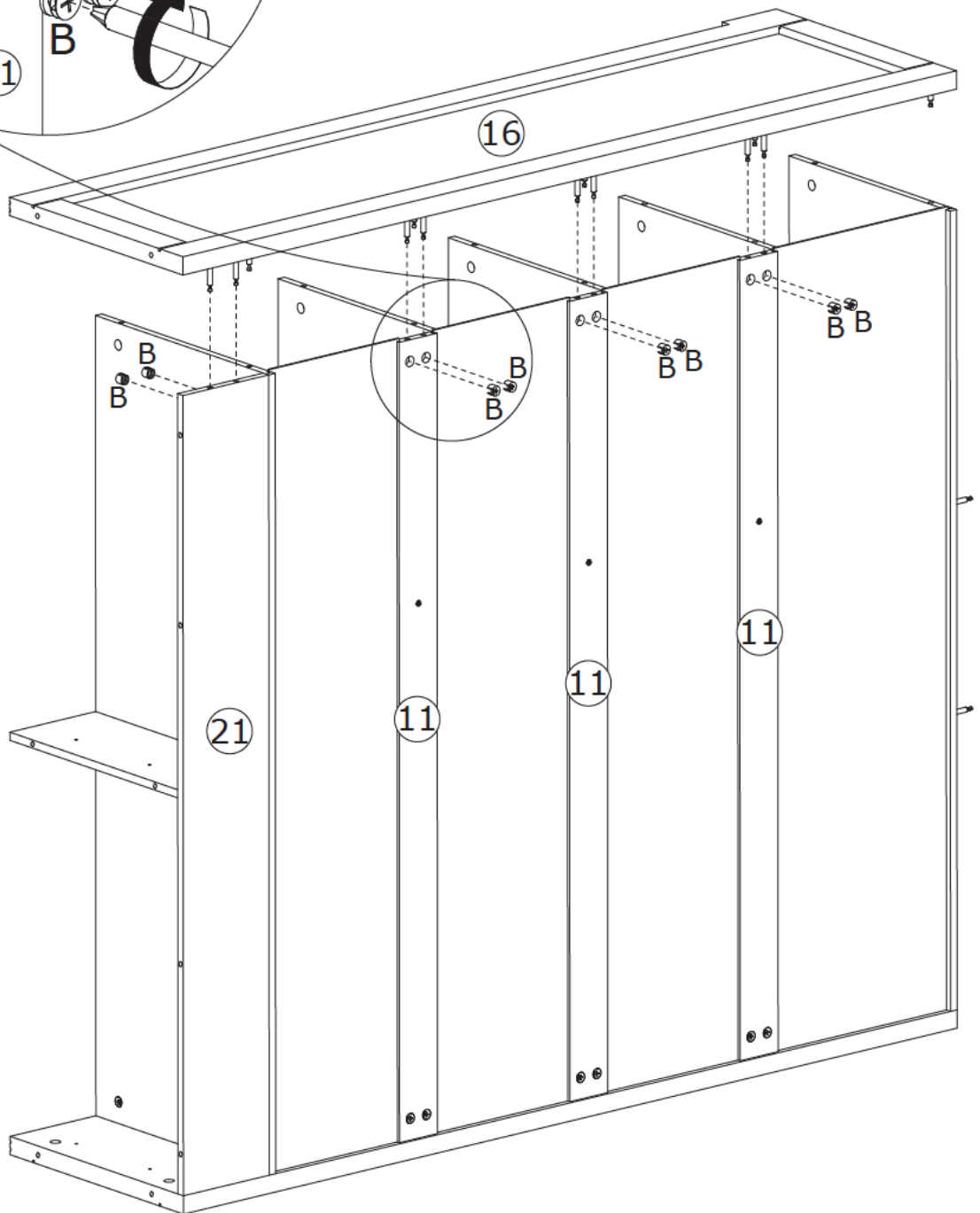
Insert panel 12, 13, and 14 along available grooves as shown.



16

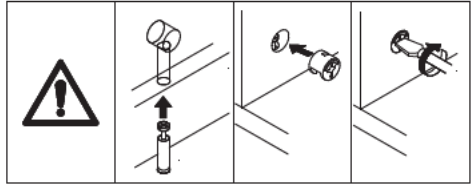
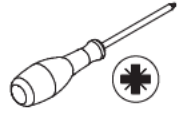


Attach panel 16 to panel 19, 10, 21, 11 and 18, add cam lock(B) into panel 21, 11 and turn clockwise to tighten as shown.

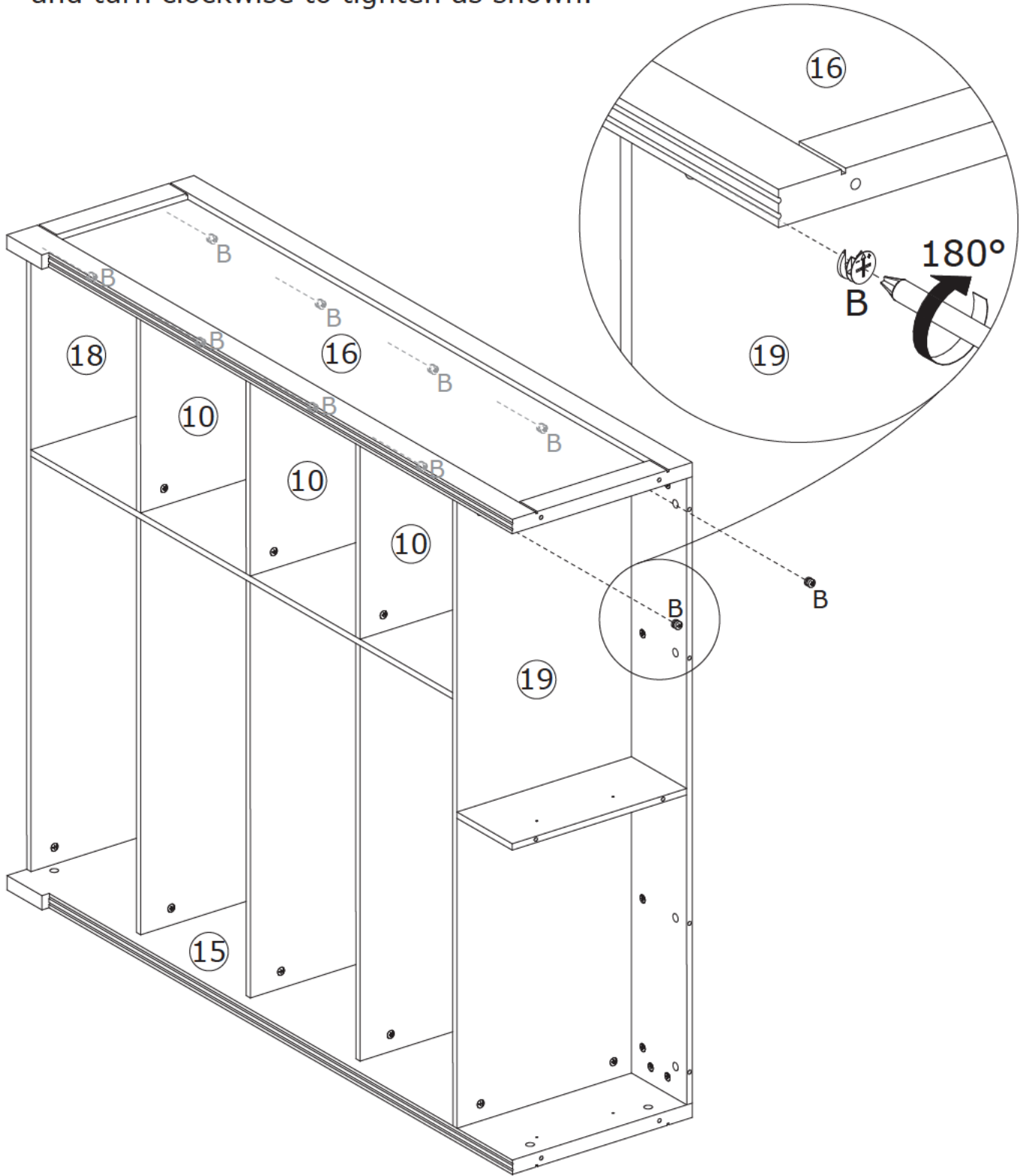


17



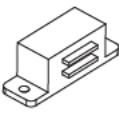
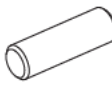

B x 10
M15 x 10 mm

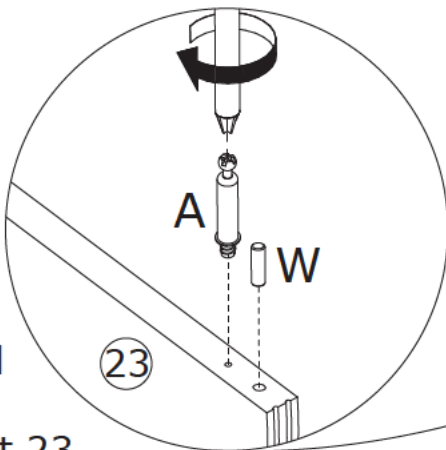
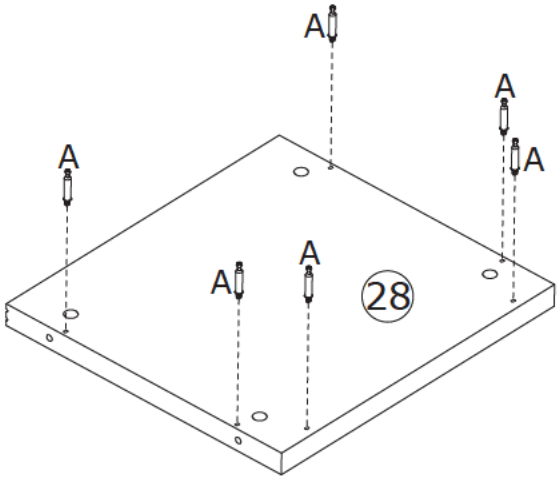
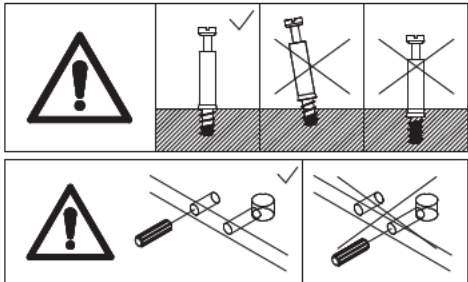


Add cam lock(B) into panel 18, 10 and 19,
and turn clockwise to tighten as shown.

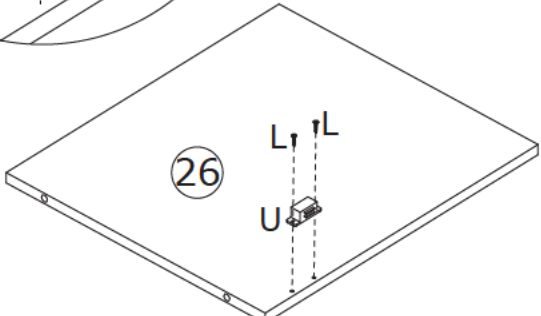
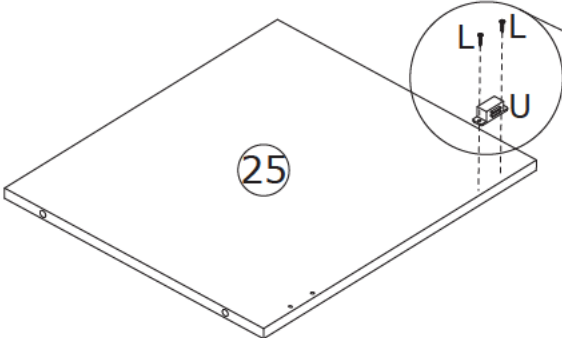
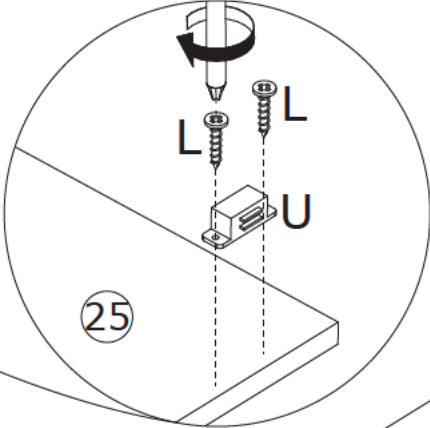
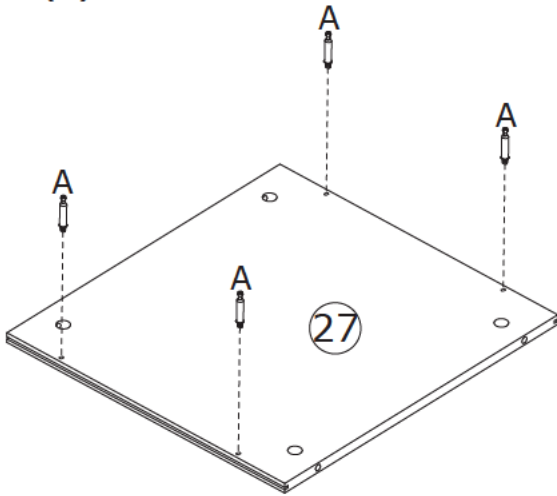
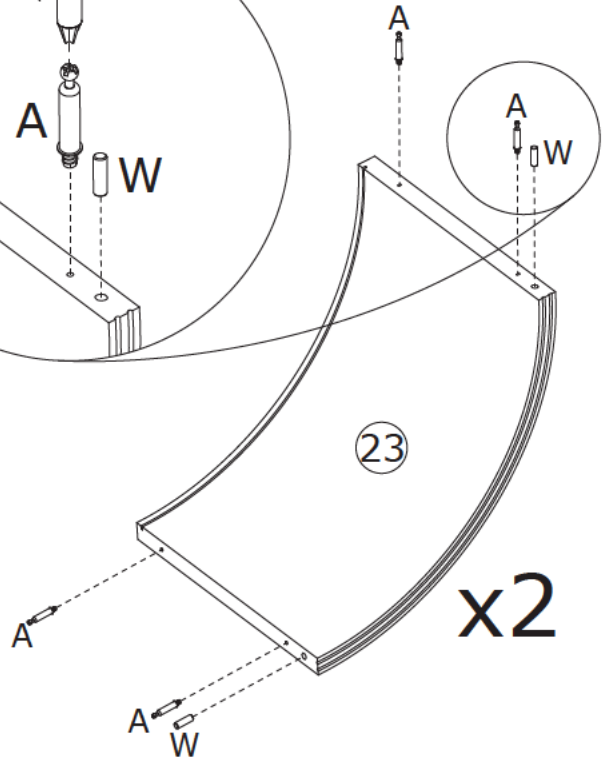


18

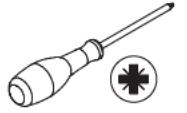
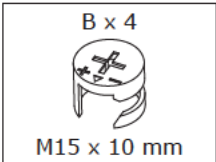
 A x 18 M6 x 40 mm	 L x 4 M3 x 12 mm	 U x 2	 W x 4 M8 x 25 mm	
---	--	--	---	---



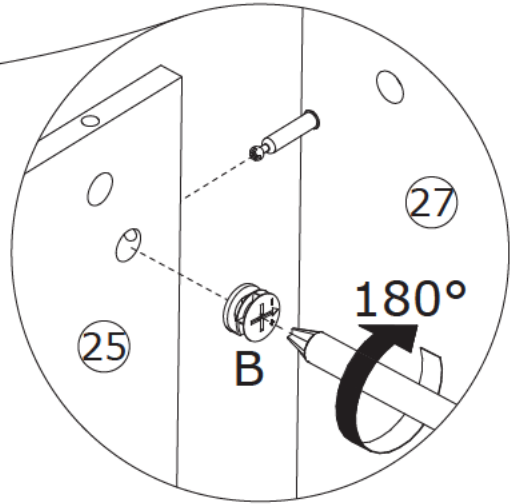
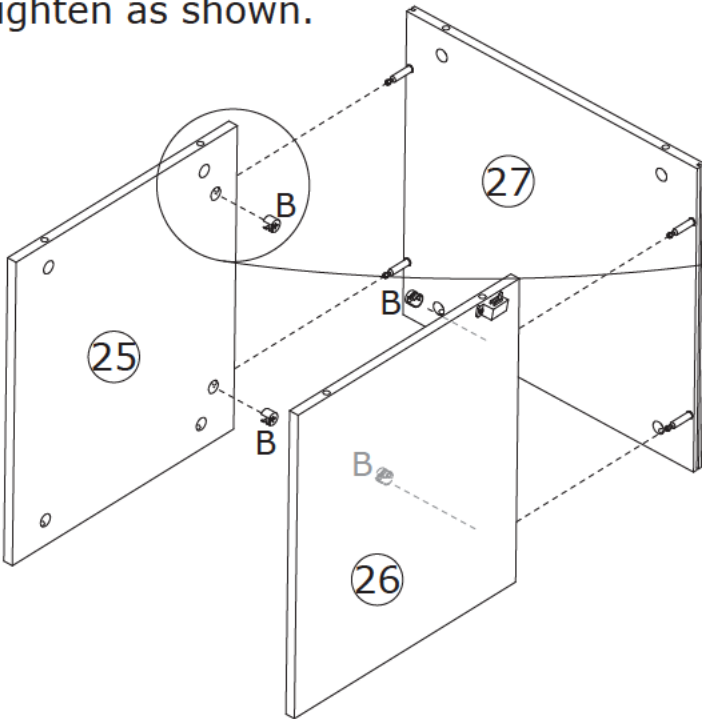
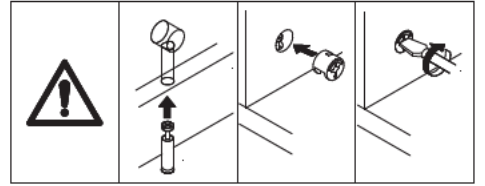
Screw eccentric rod(A) into panel 27, 28 and 23 as shown. Insert wooden dowel(W) into part 23. Fix part(U) to panel 25 and 26 with screw(L) as shown.



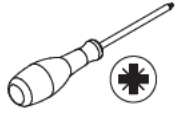
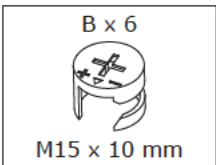
19



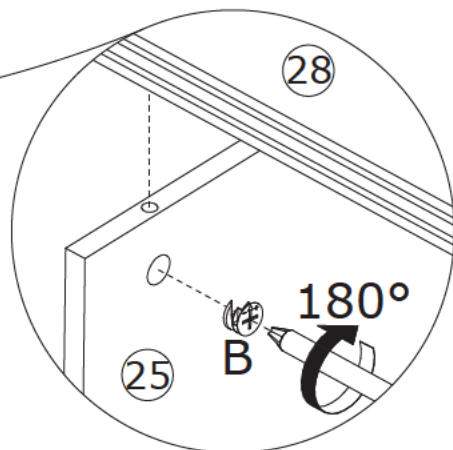
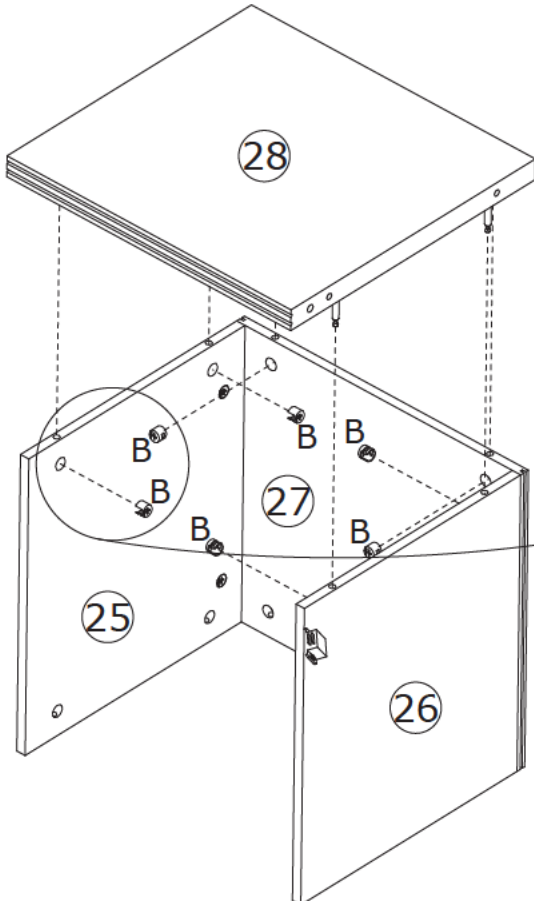
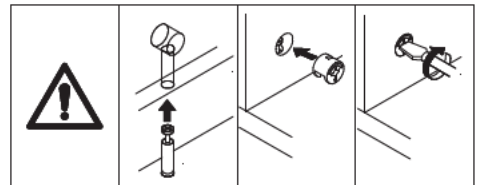
Attach panel 27 to panel 25 and 26, add cam lock(B) into panel 25,26 and turn clockwise to tighten as shown.



20

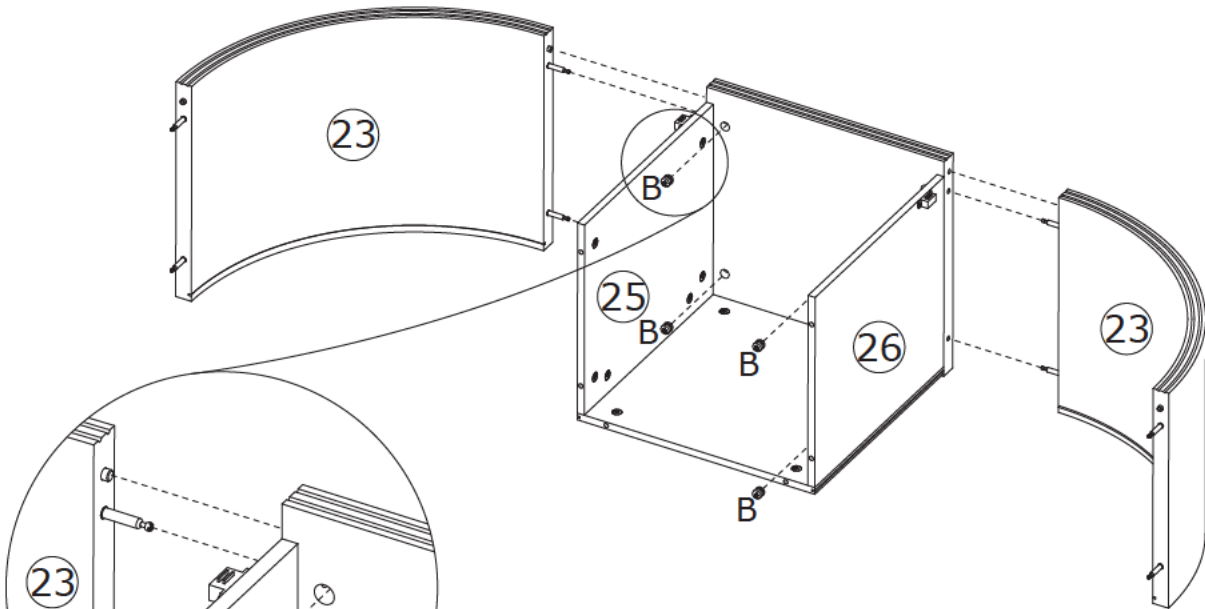
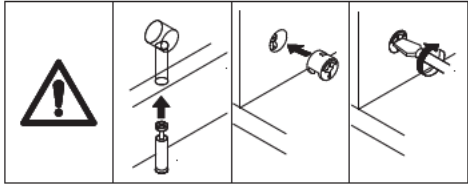
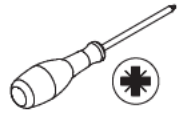


Attach panel 28 to panel 25 and 26, add cam lock(B) into panel 25,26 and turn clockwise to tighten as shown.

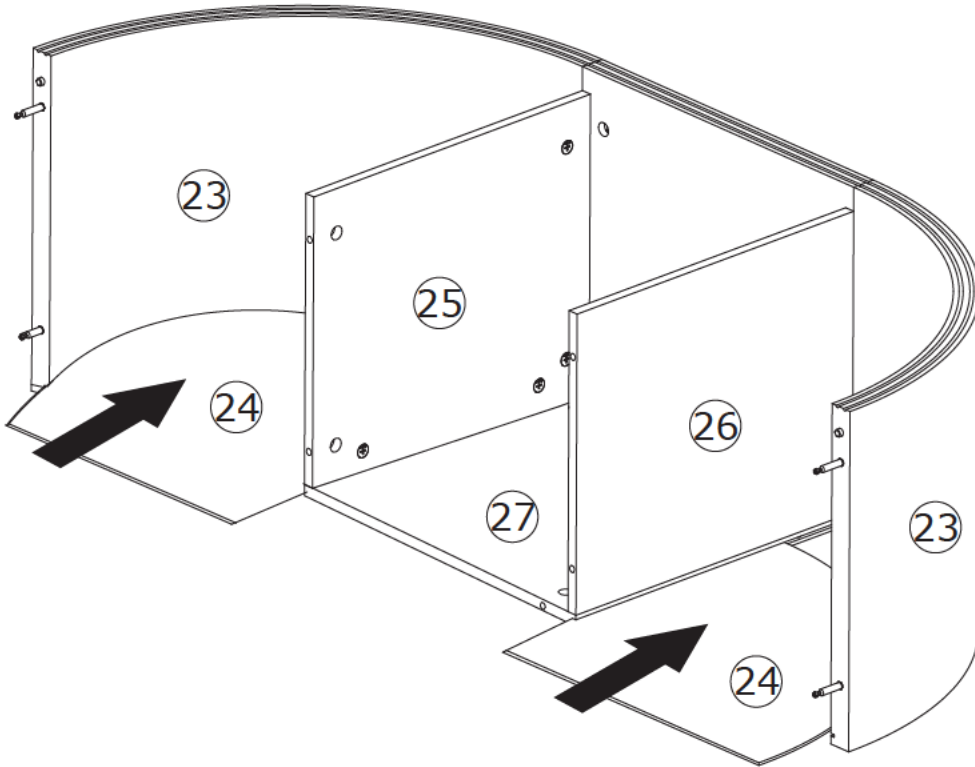


21

B x 4
M15 x 10 mm



Attach part 23 to panel 28, add cam lock(B) into part 23 and turn clockwise to tighten as shown.
Insert panel 24 along available grooves as shown.

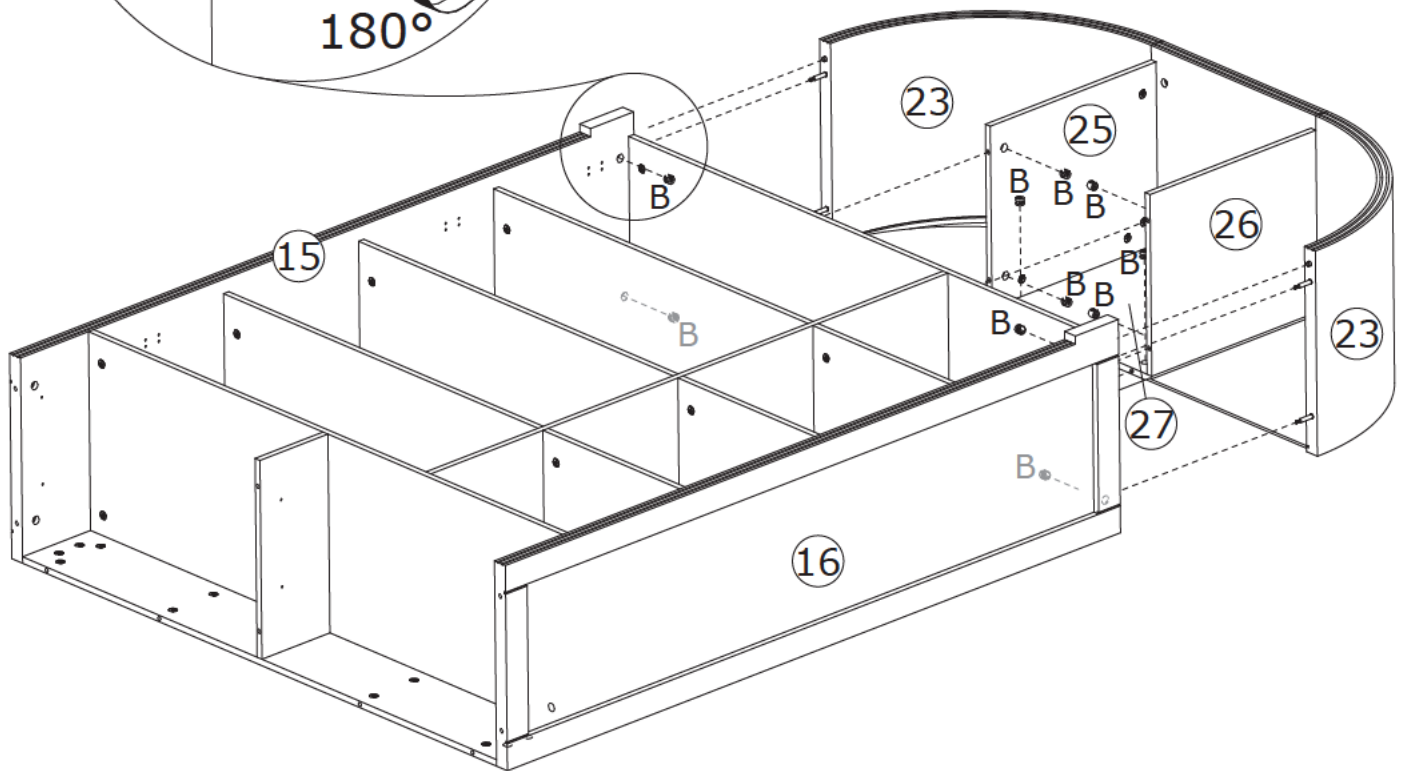
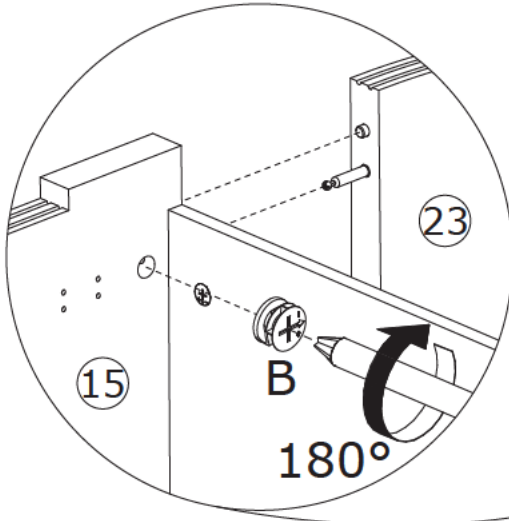
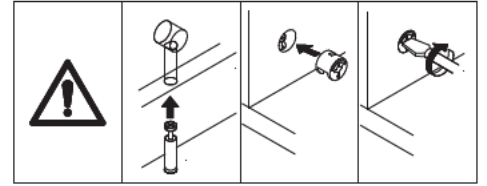
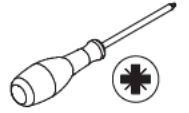


22

B x 10

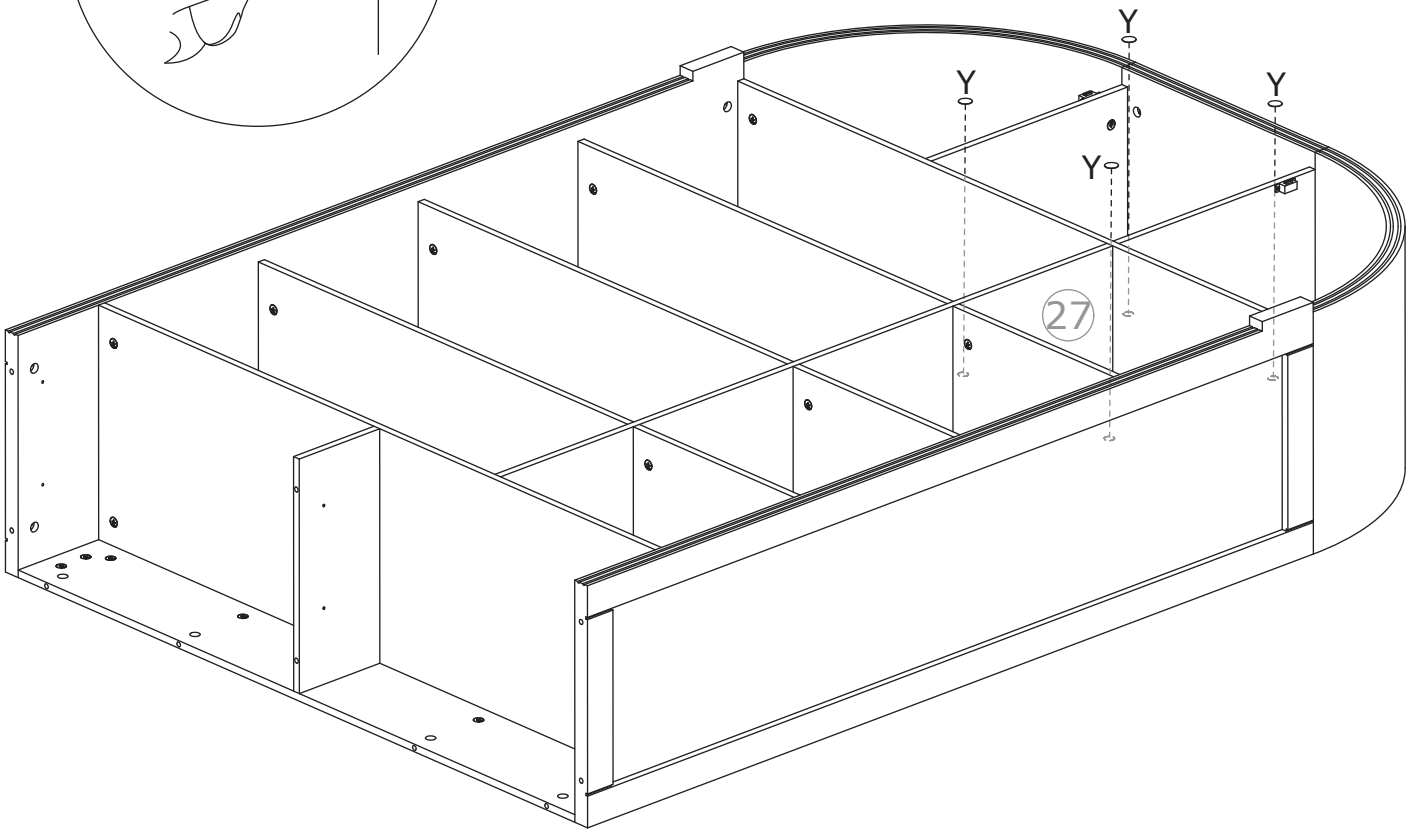
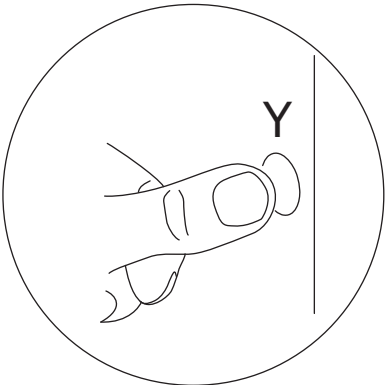
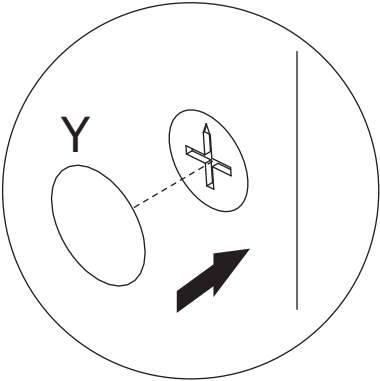
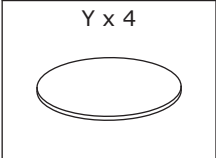


M15 x 10 mm

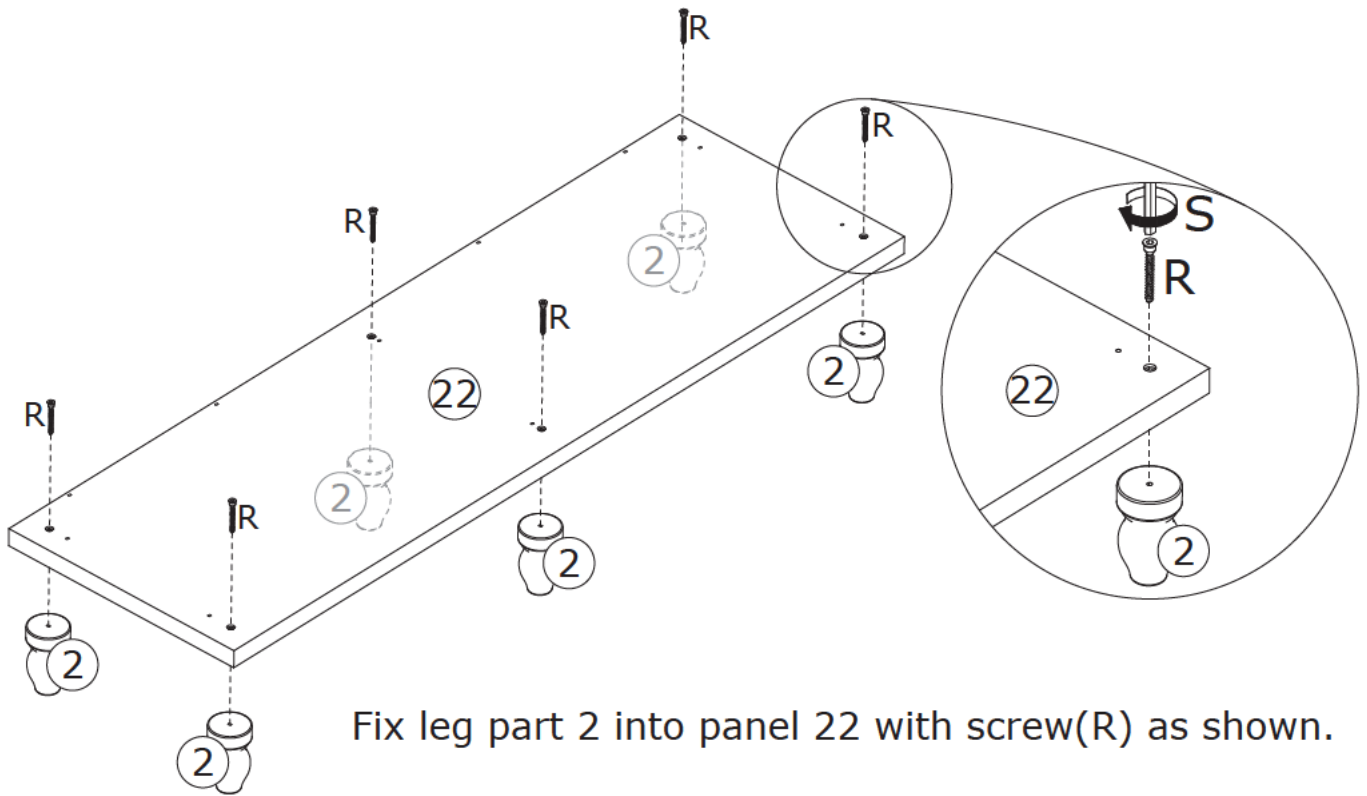
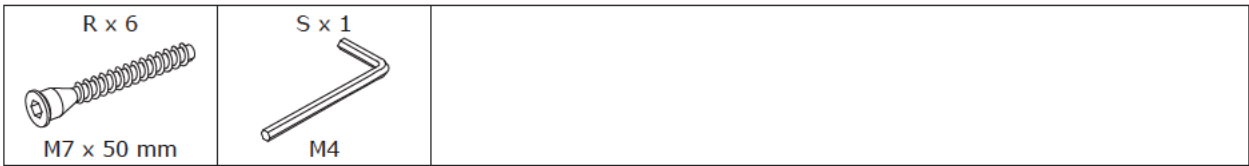


Attach the component to panel 15, 18 and 16, add cam lock(B) into panel 23,25,26,27 and turn clockwise to tighten as shown.

23



24

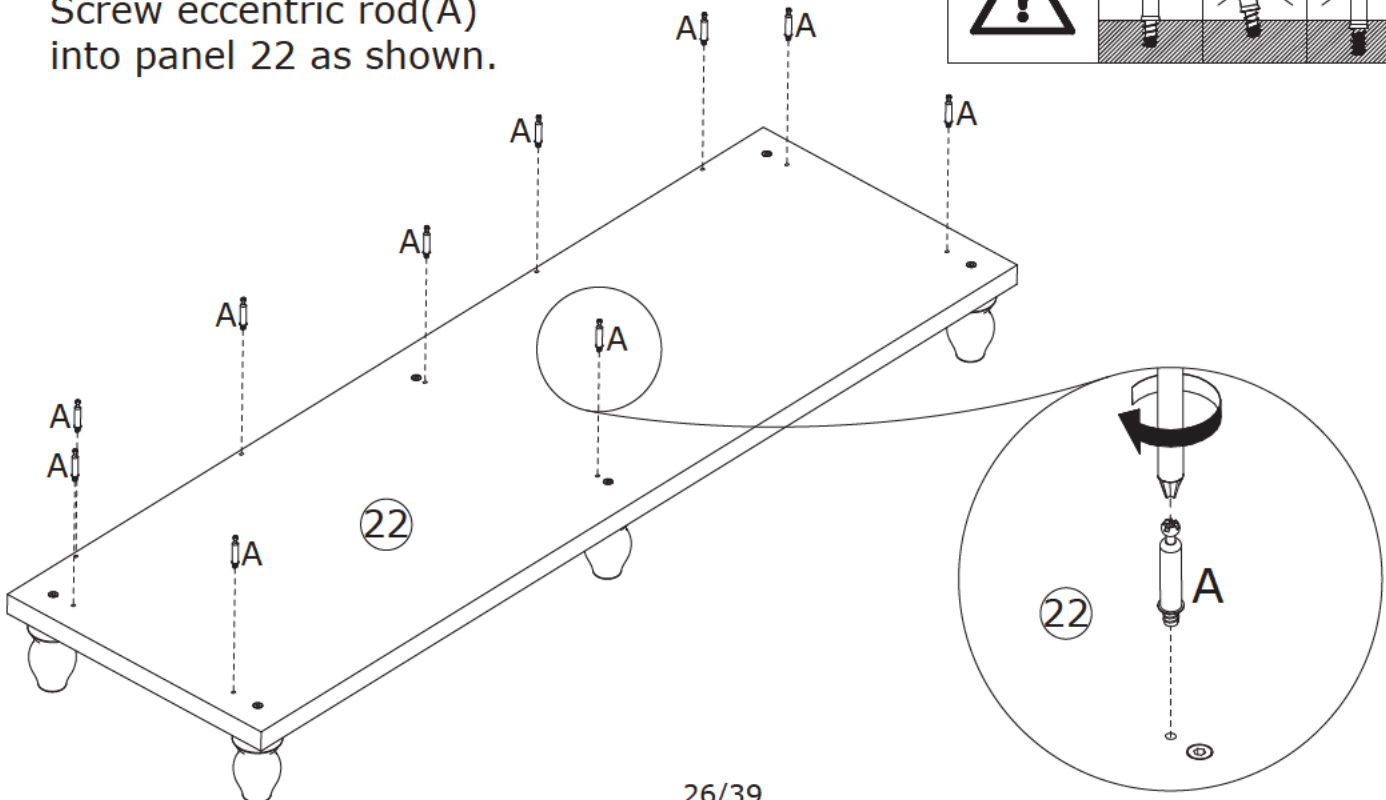
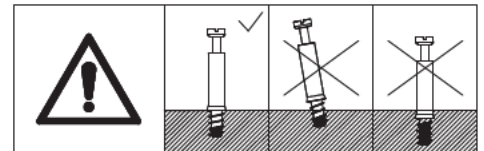


Fix leg part 2 into panel 22 with screw(R) as shown.

25

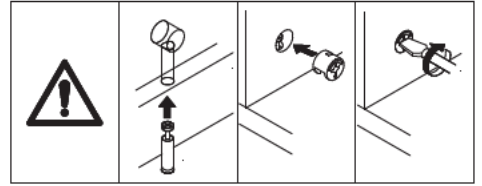
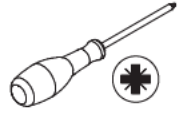


Screw eccentric rod(A) into panel 22 as shown.

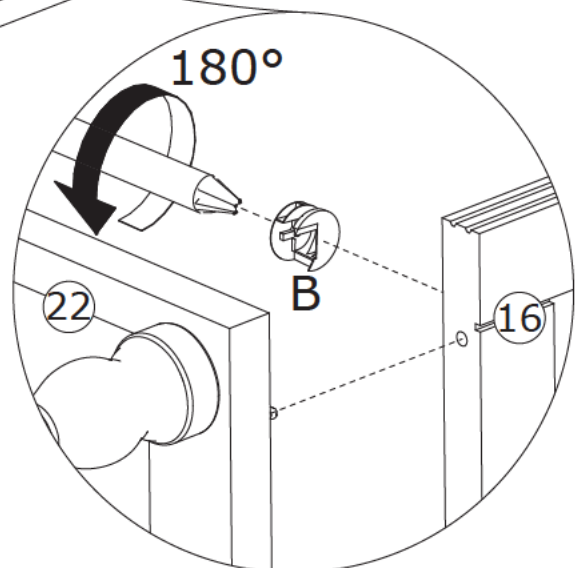
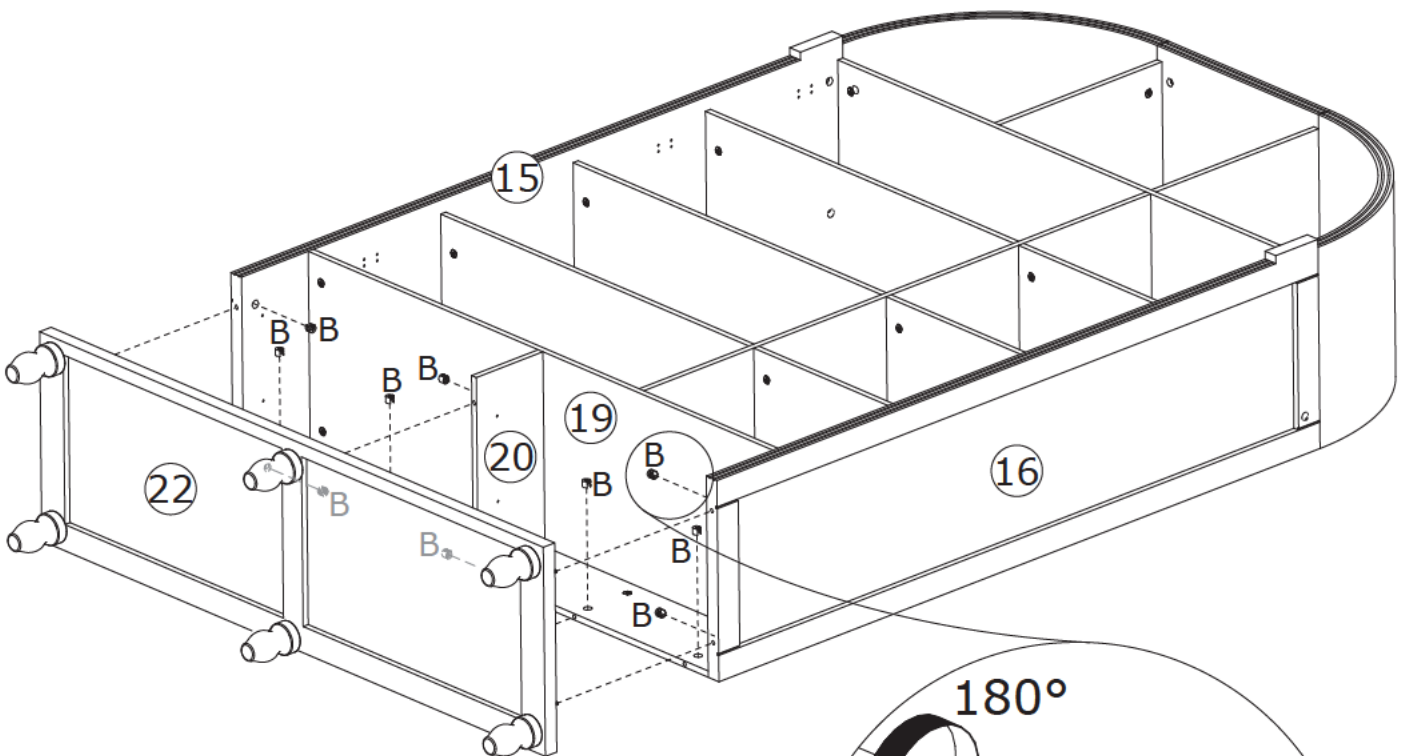


26

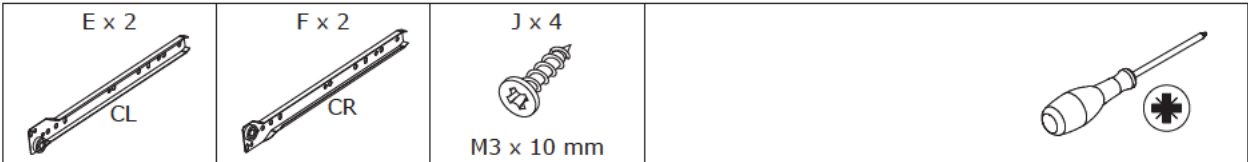
B x 10
M15 x 10 mm



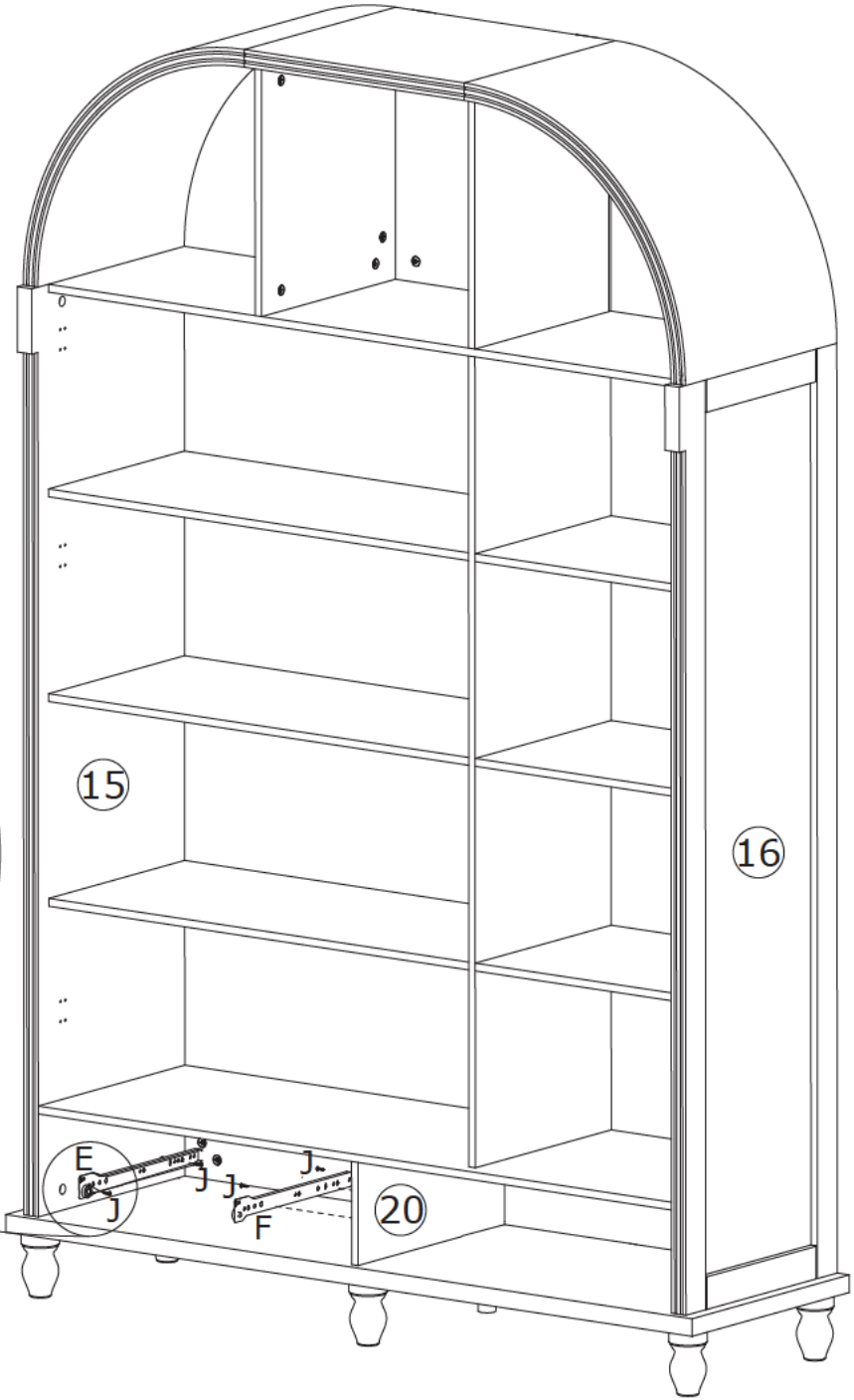
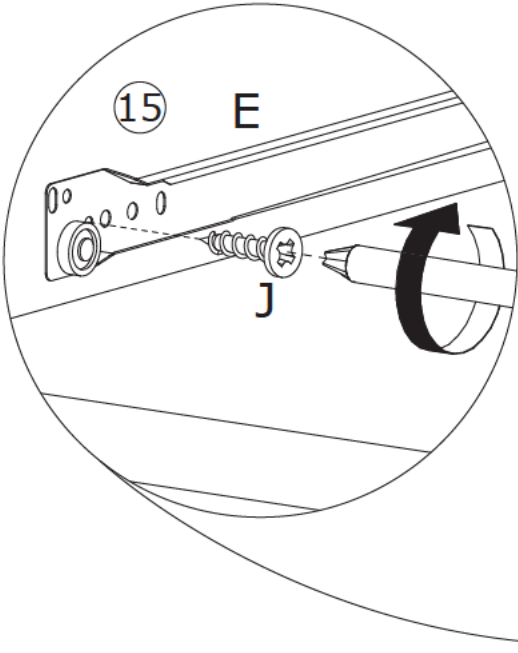
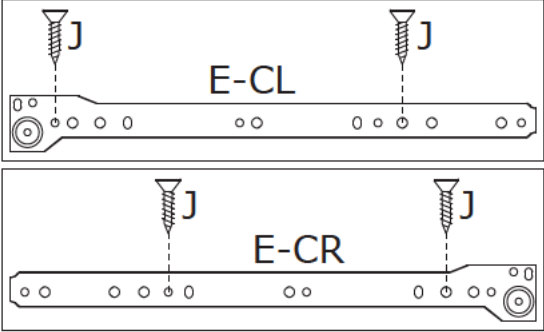
Attach panel 22 to panel 15, 20, 21 and 16,
add cam lock(B) into panel 15,20,21,16 and
turn clockwise to tighten as shown.



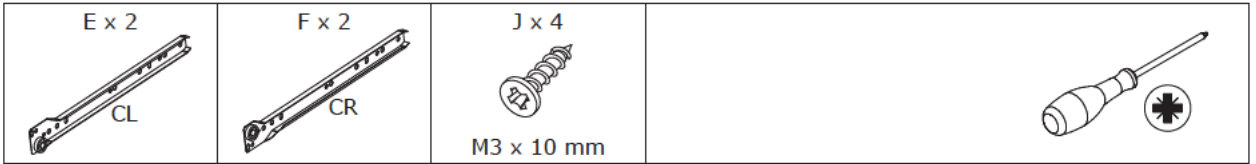
27



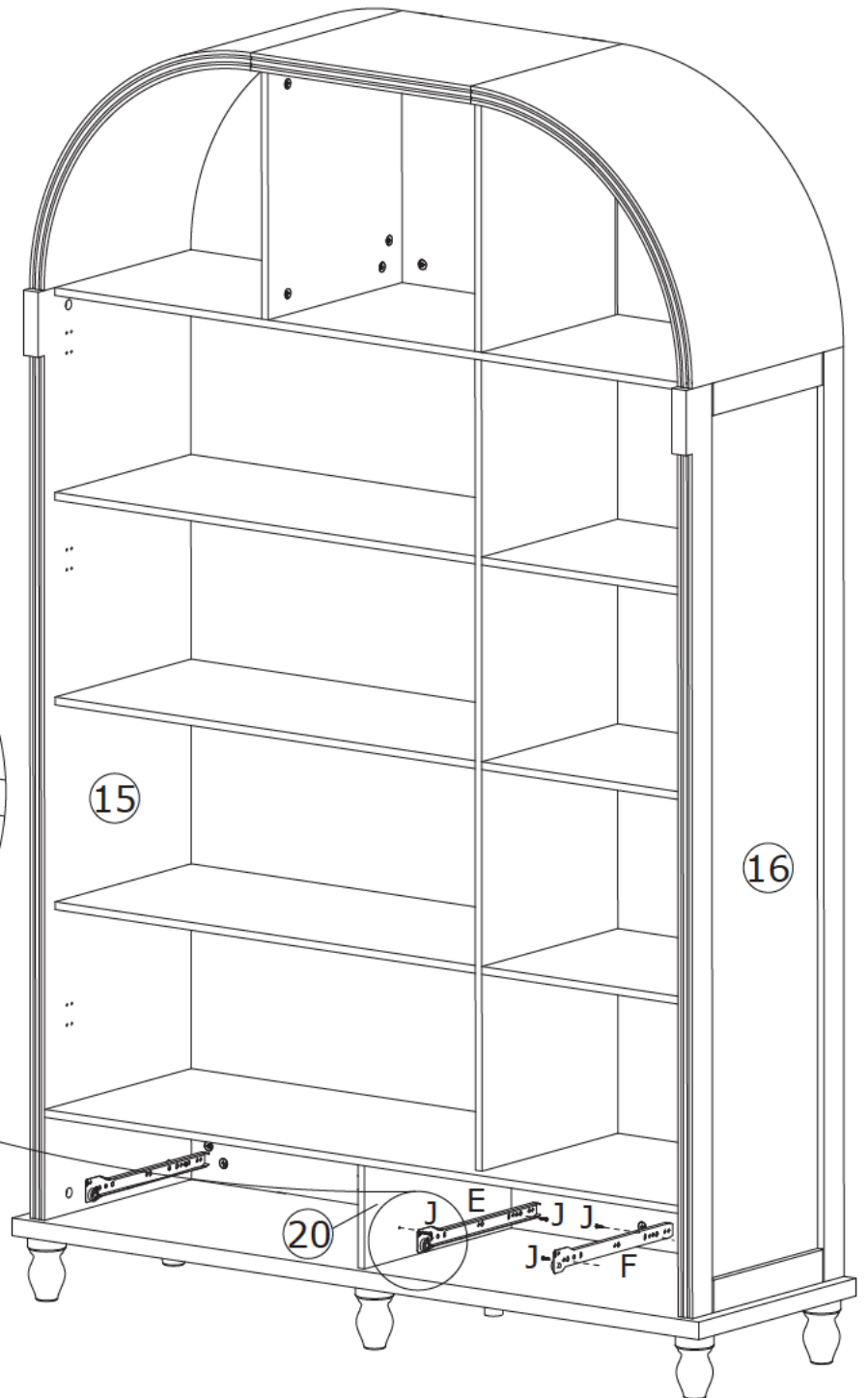
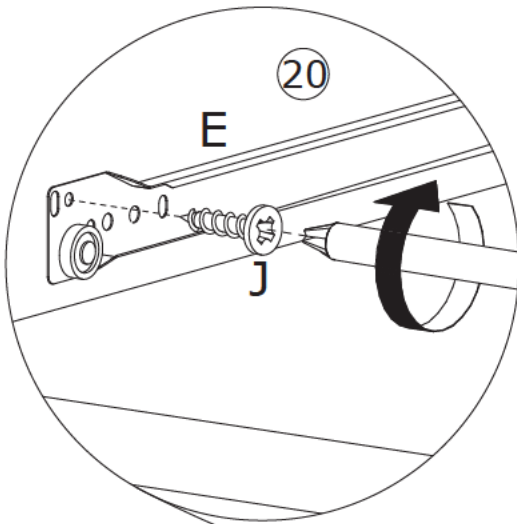
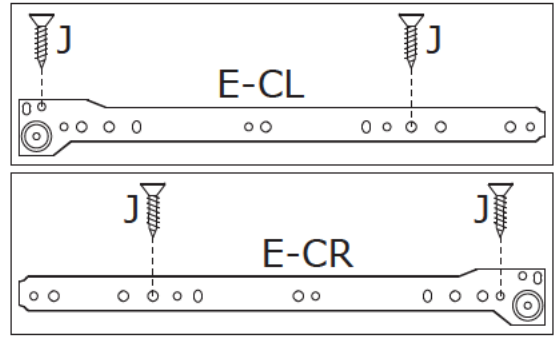
Fix slide rail(CL) and (CR) to panel 15 and 20 with screw(J) at first.



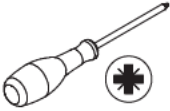
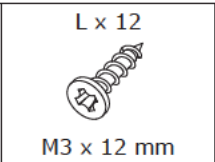
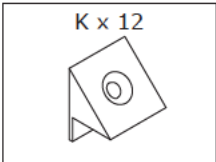
28



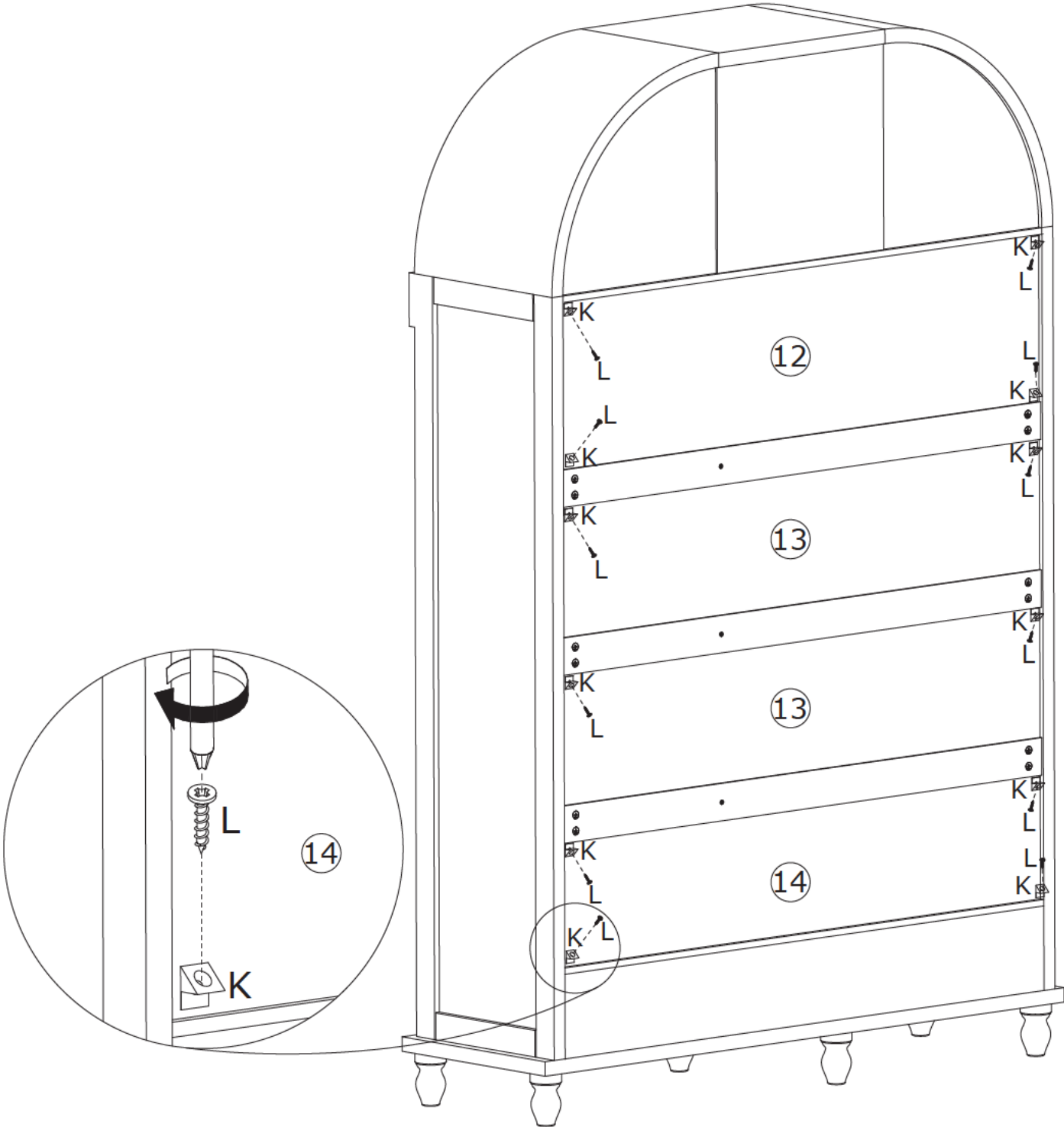
Fix slide rail(CL) and (CR) to panel 20 and 16 with screw(J) at first.



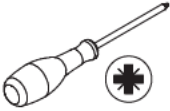
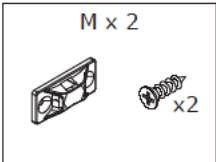
29



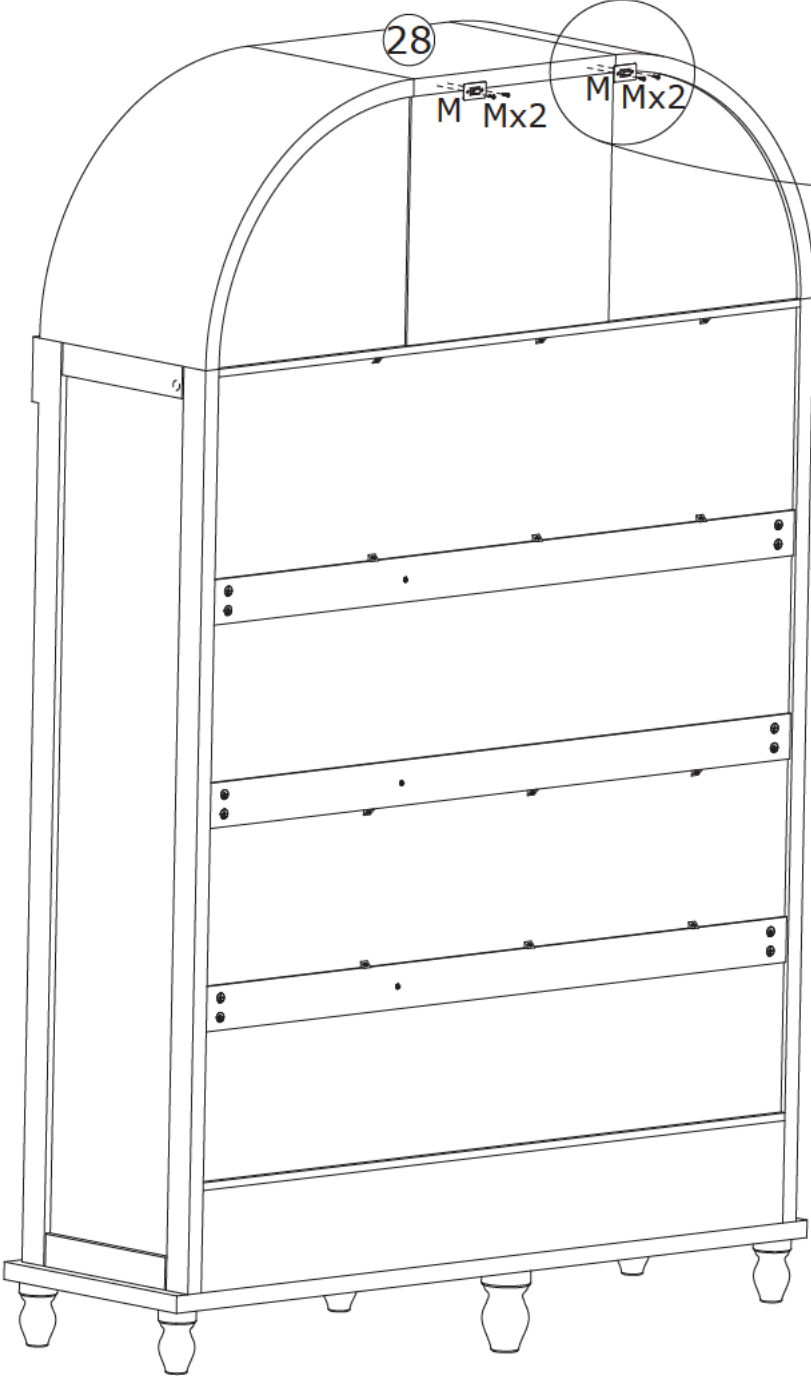
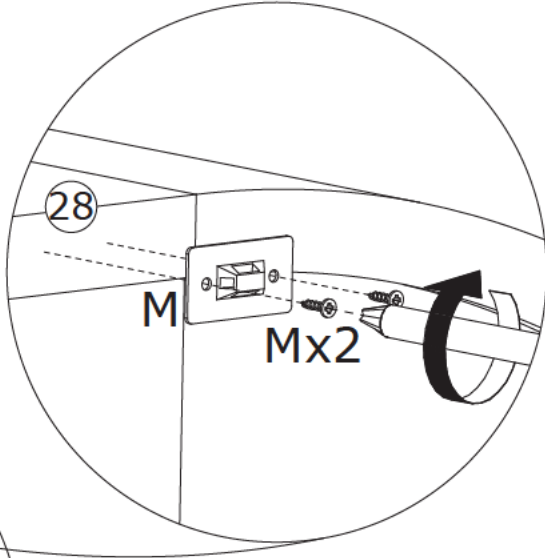
Insert buckle(K) into back slots and fix with screw(L) as shown.



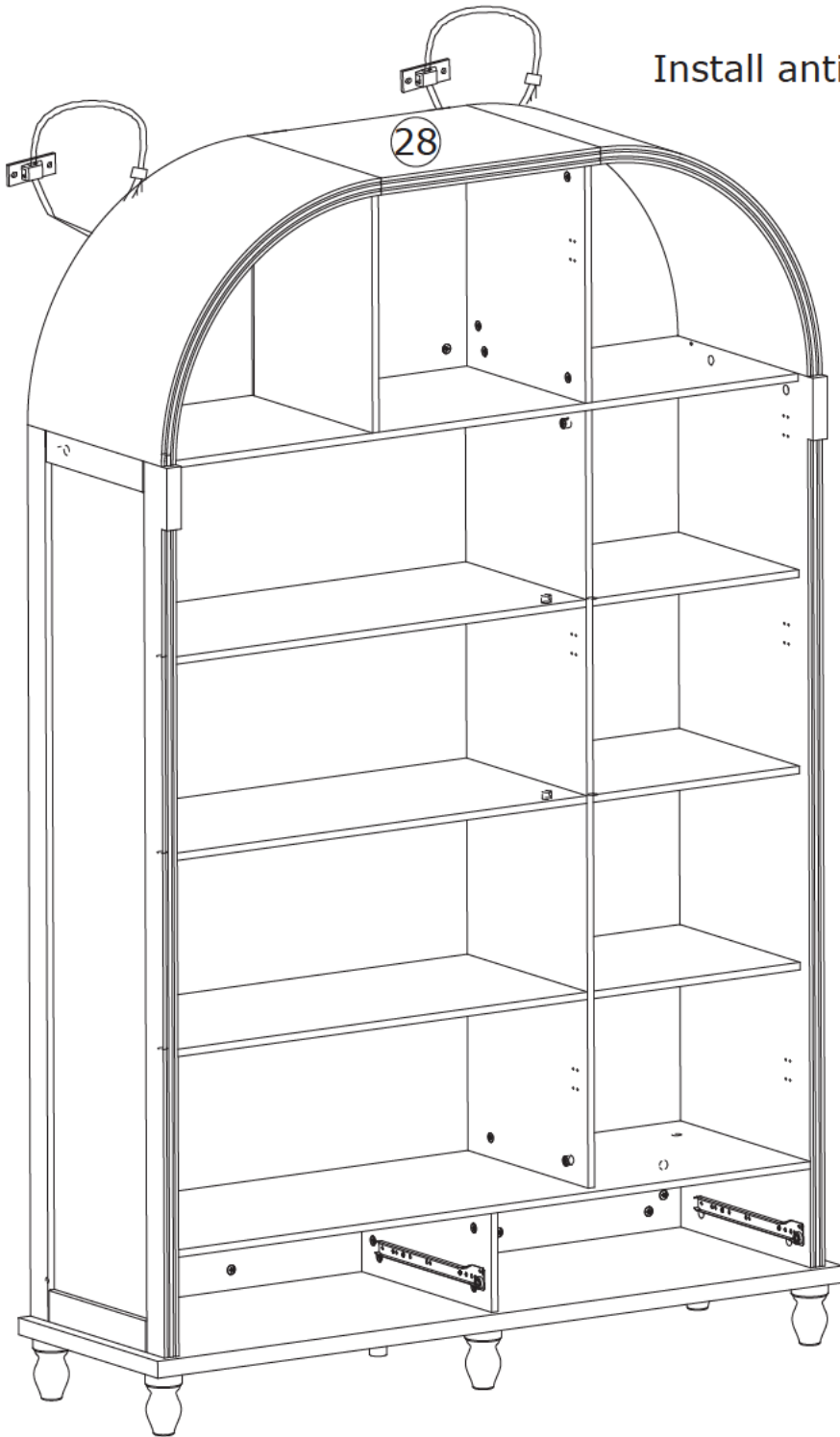
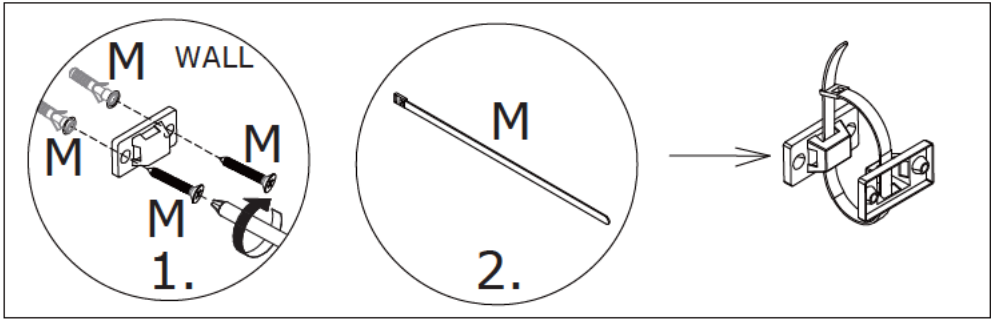
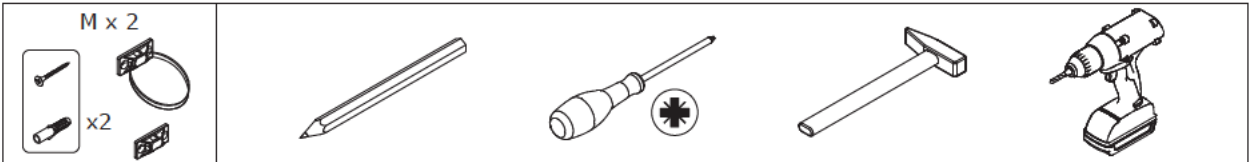
30



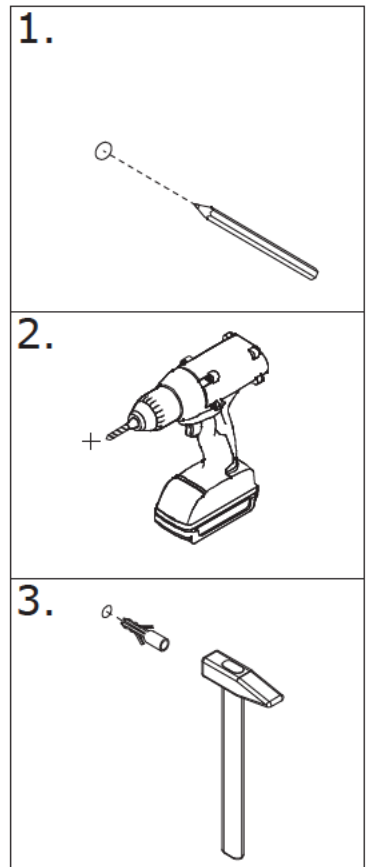
Fix part(M) to back as shown.



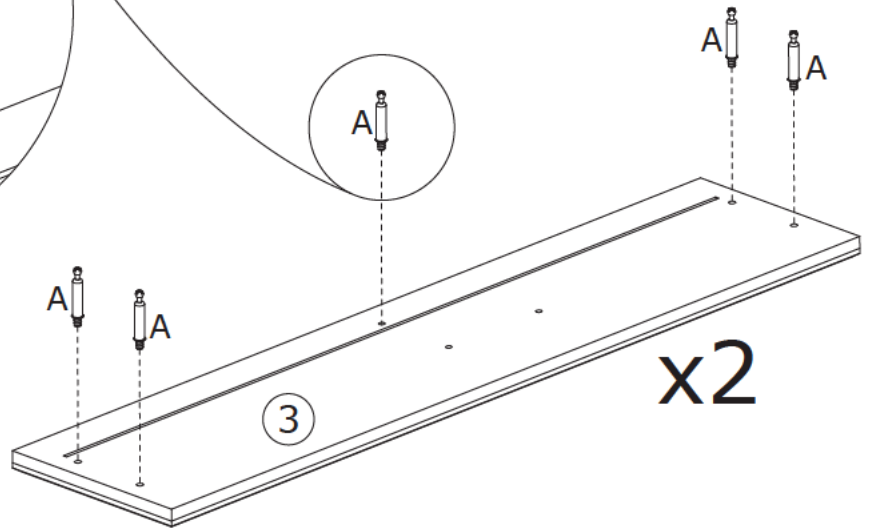
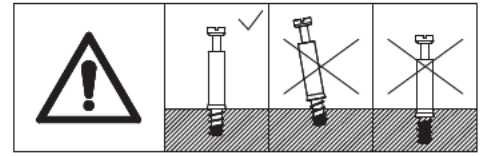
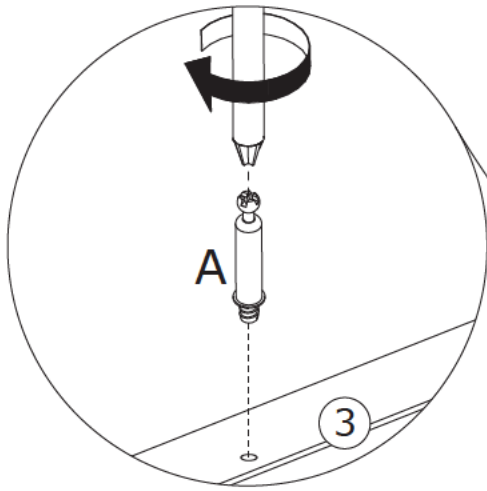
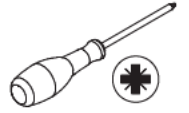
31



Install anti-tipping device as shown.

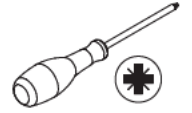
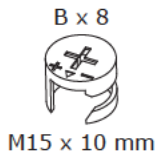


32

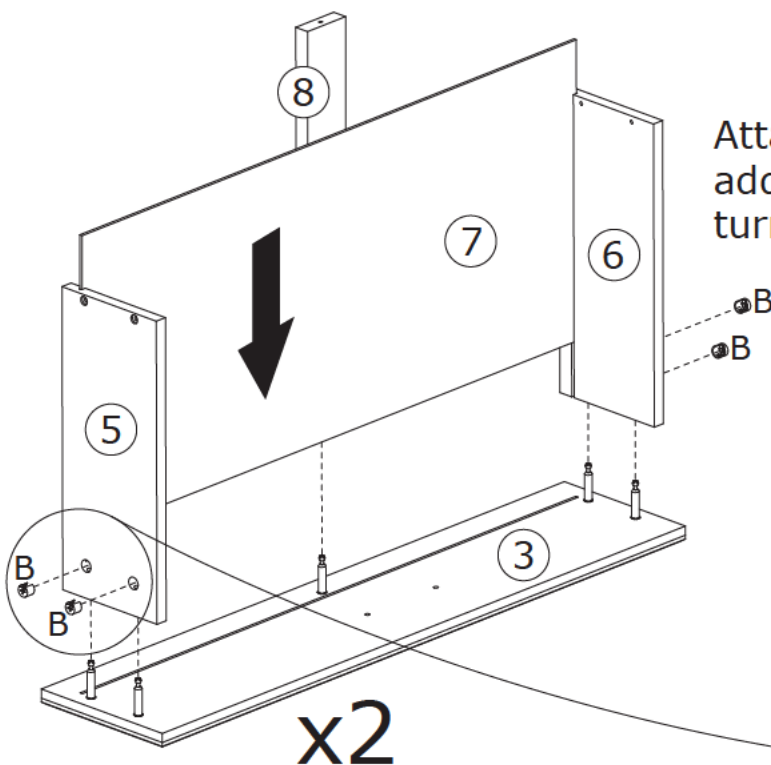
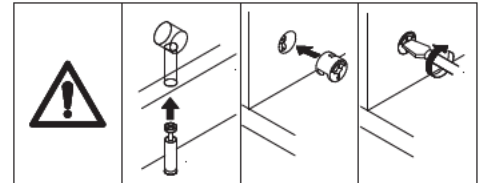


Screw eccentric rod(A) into panel 3 as shown.

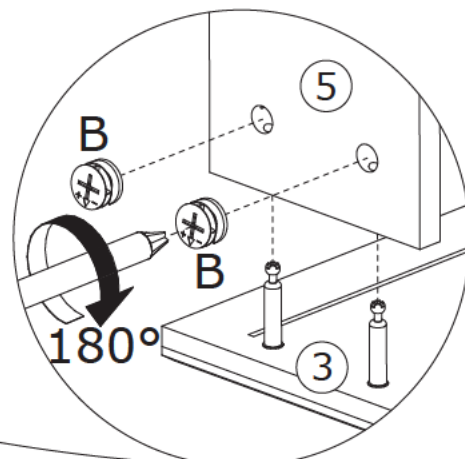
33



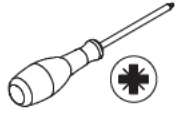
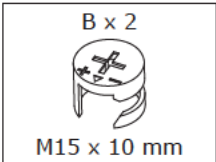
Insert panel 7 along available grooves as shown.



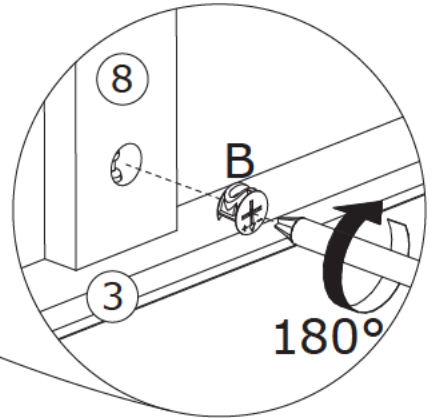
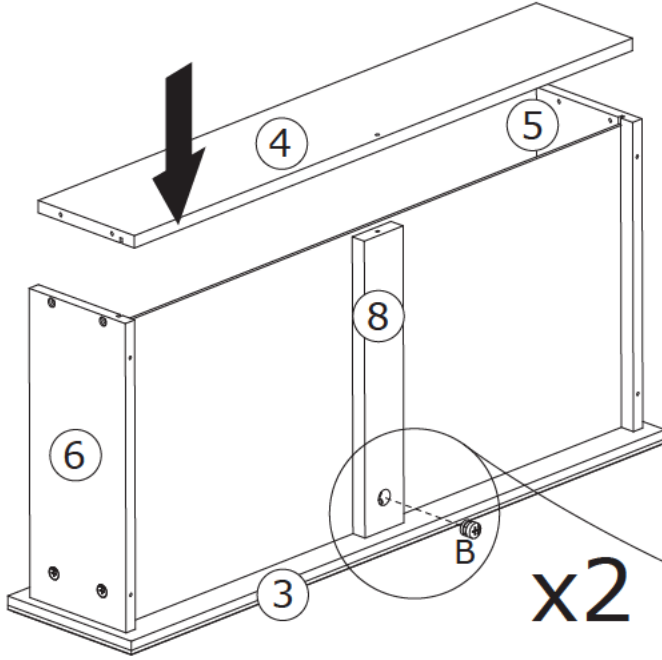
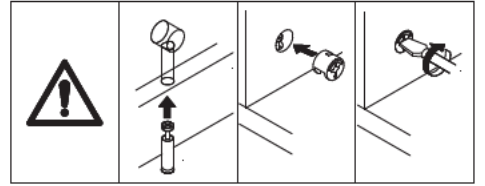
Attach panel 3 to panel 5, 8 and 6, add cam lock(B) into panel 5,6 and turn clockwise to tighten as shown.



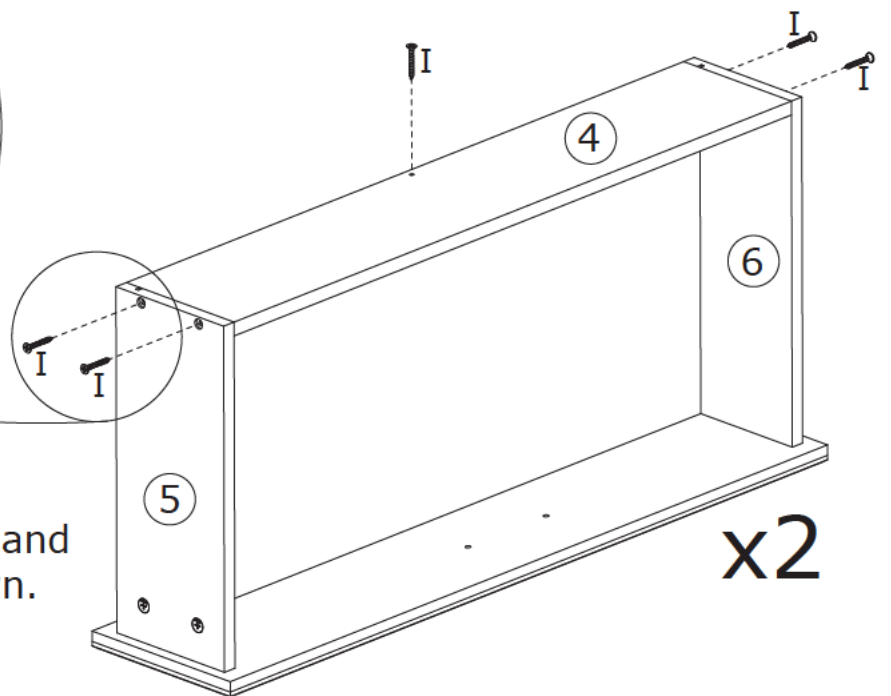
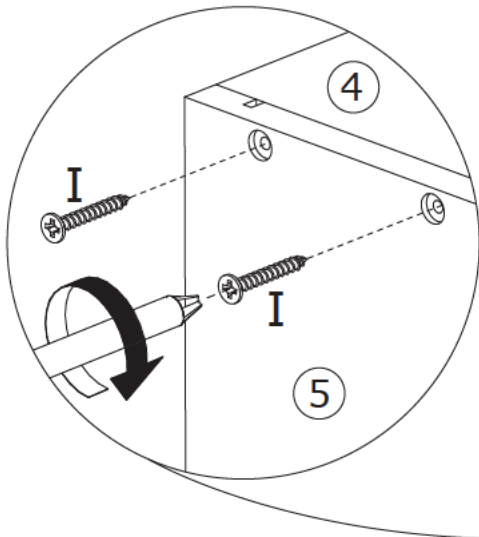
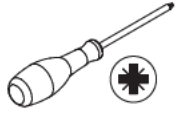
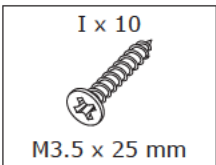
34



Add cam lock(B) into panel 8, and turn clockwise to tighten as shown.

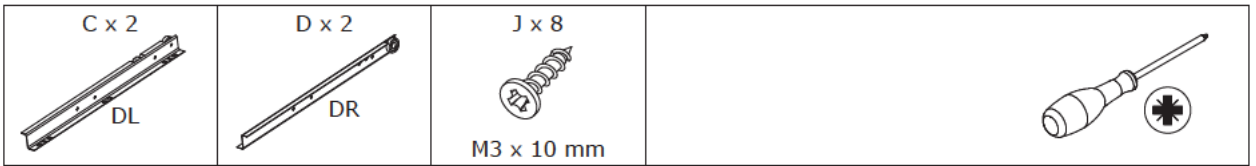


35

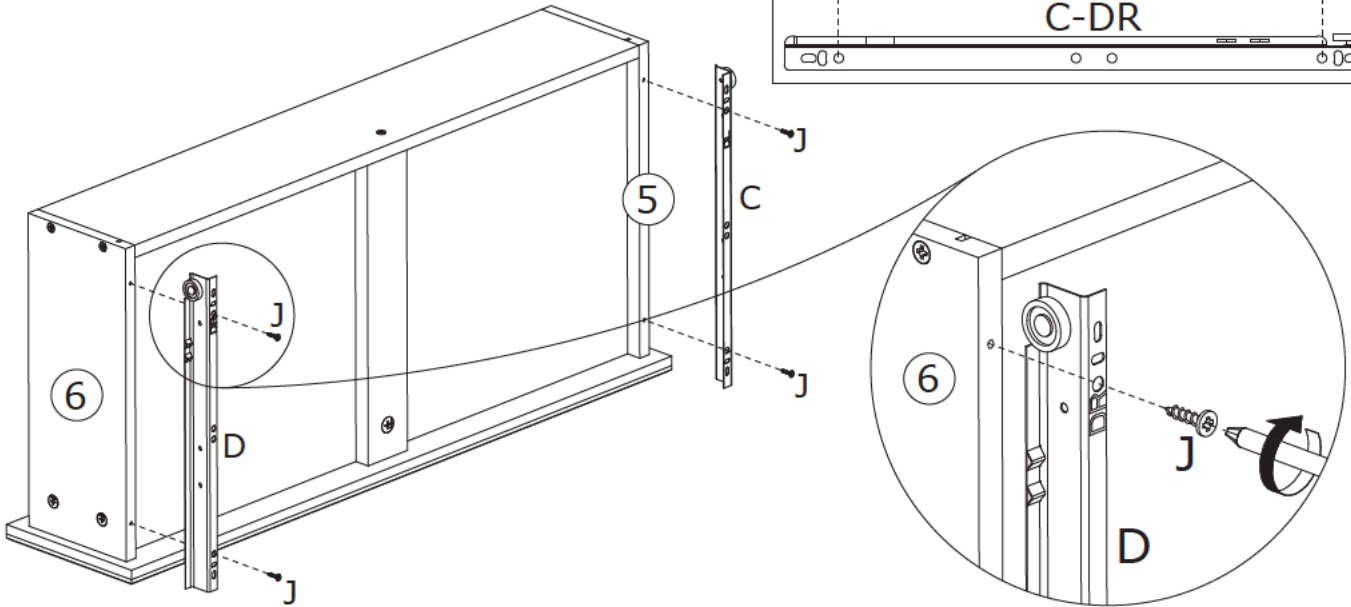
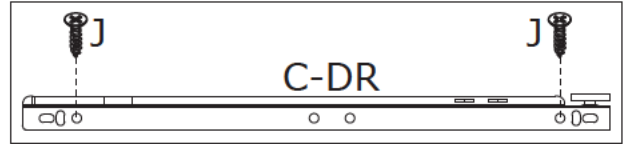


Fix panel 4 to panel 5, 8 and 6 using screw(I) as shown.

36



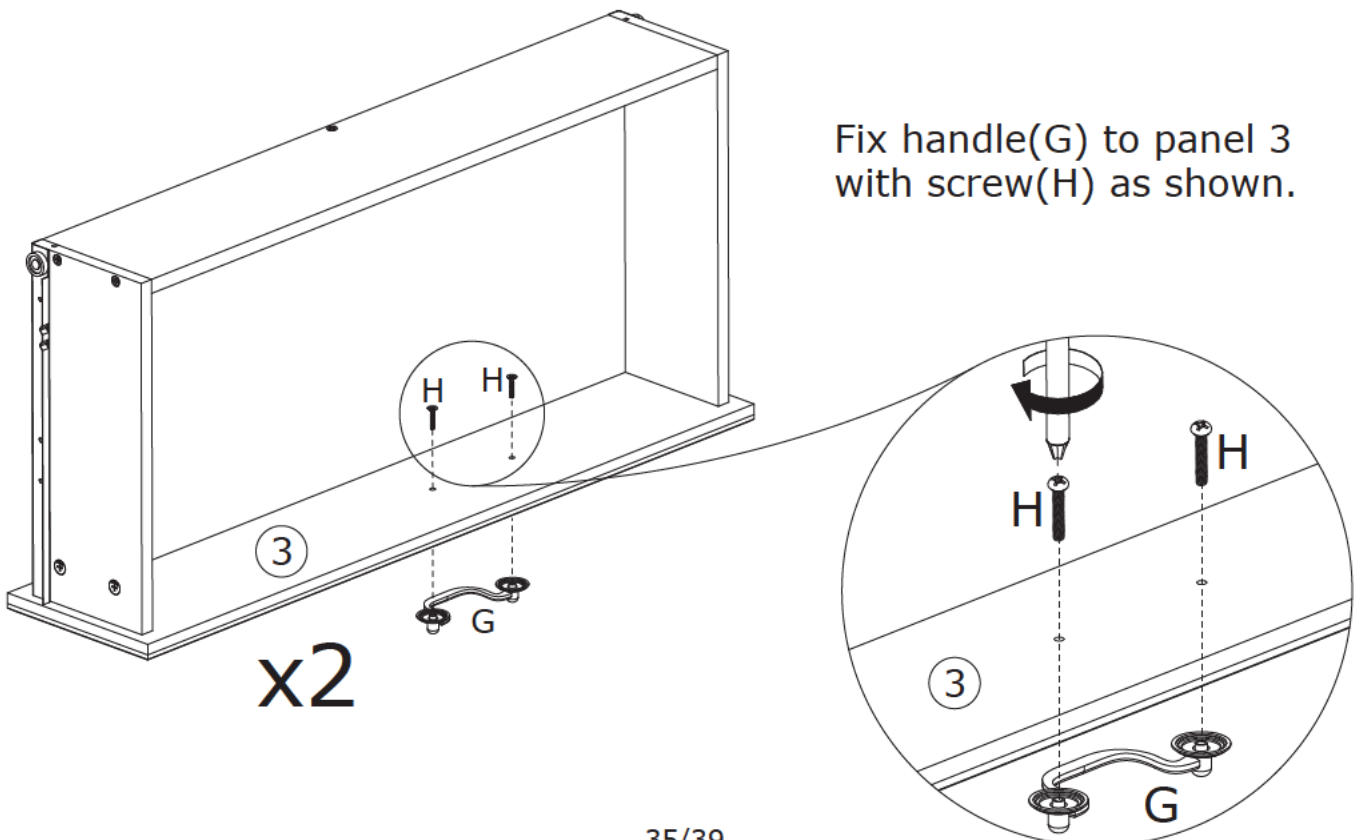
Fix track(DL) and (DR) to panel 5 and 6 with screw(J) at first.



37



Fix handle(G) to panel 3 with screw(H) as shown.



38

N x 1

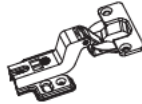


O x 1



M4 x 28 mm

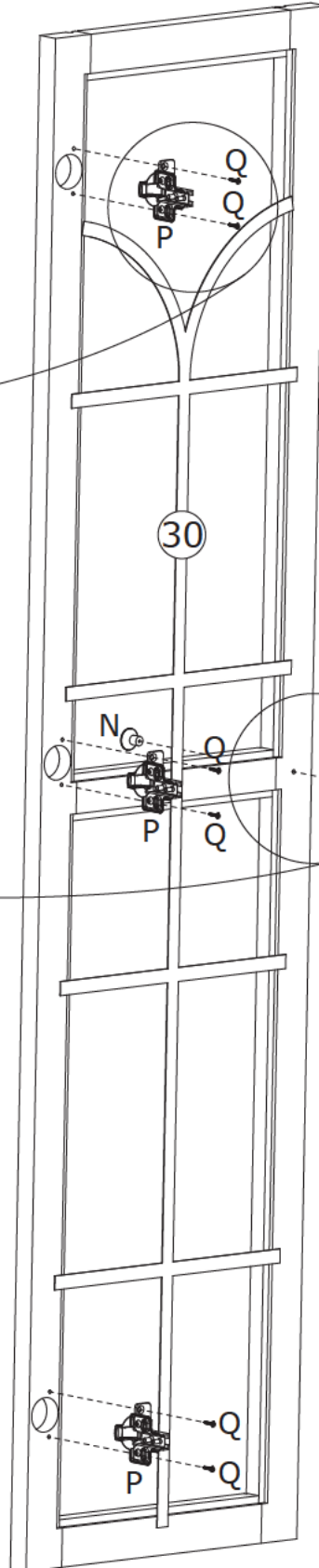
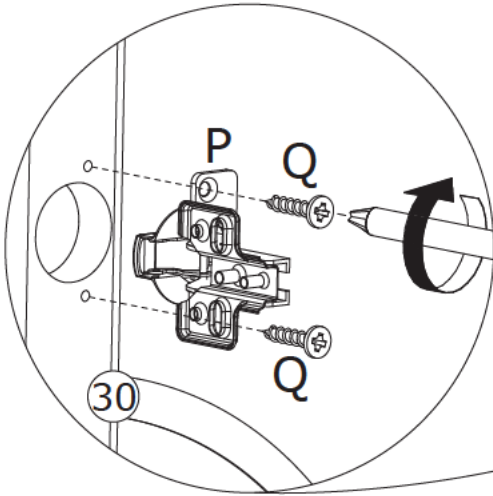
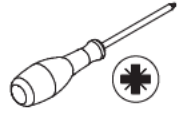
P x 3



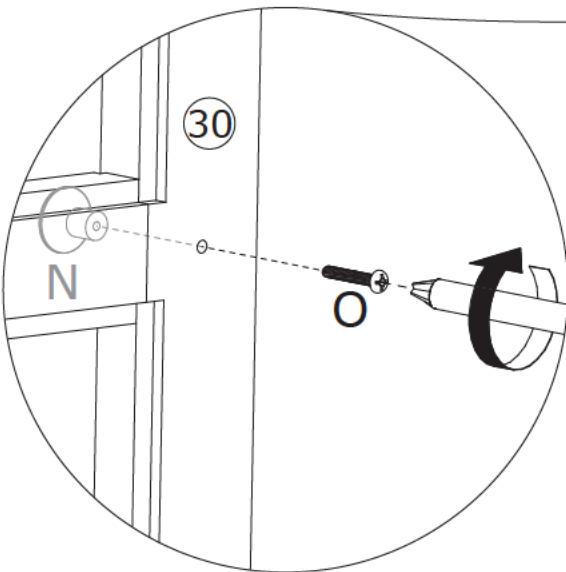
Q x 6



M3 x 14 mm



Fix hinge(P) to glass panel 30 with screw(Q) as shown.
Fix knob(N) to glass panel 30 with screw(O) as shown.



39

L x 8



M3 x 12 mm

N x 2



O x 2



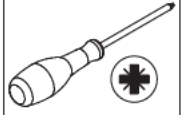
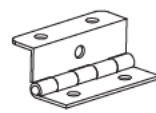
M4 x 28 mm

Q x 18



M3 x 14 mm

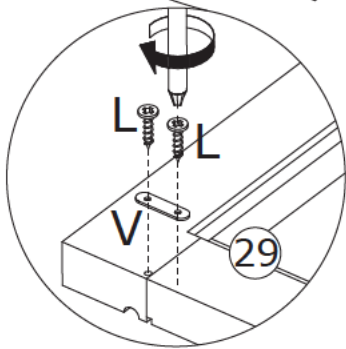
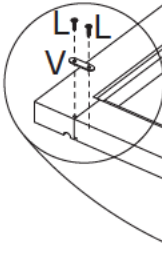
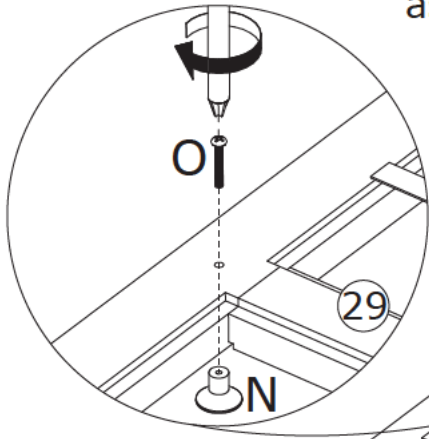
T x 6



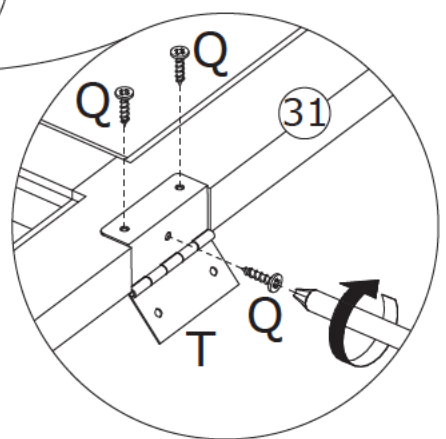
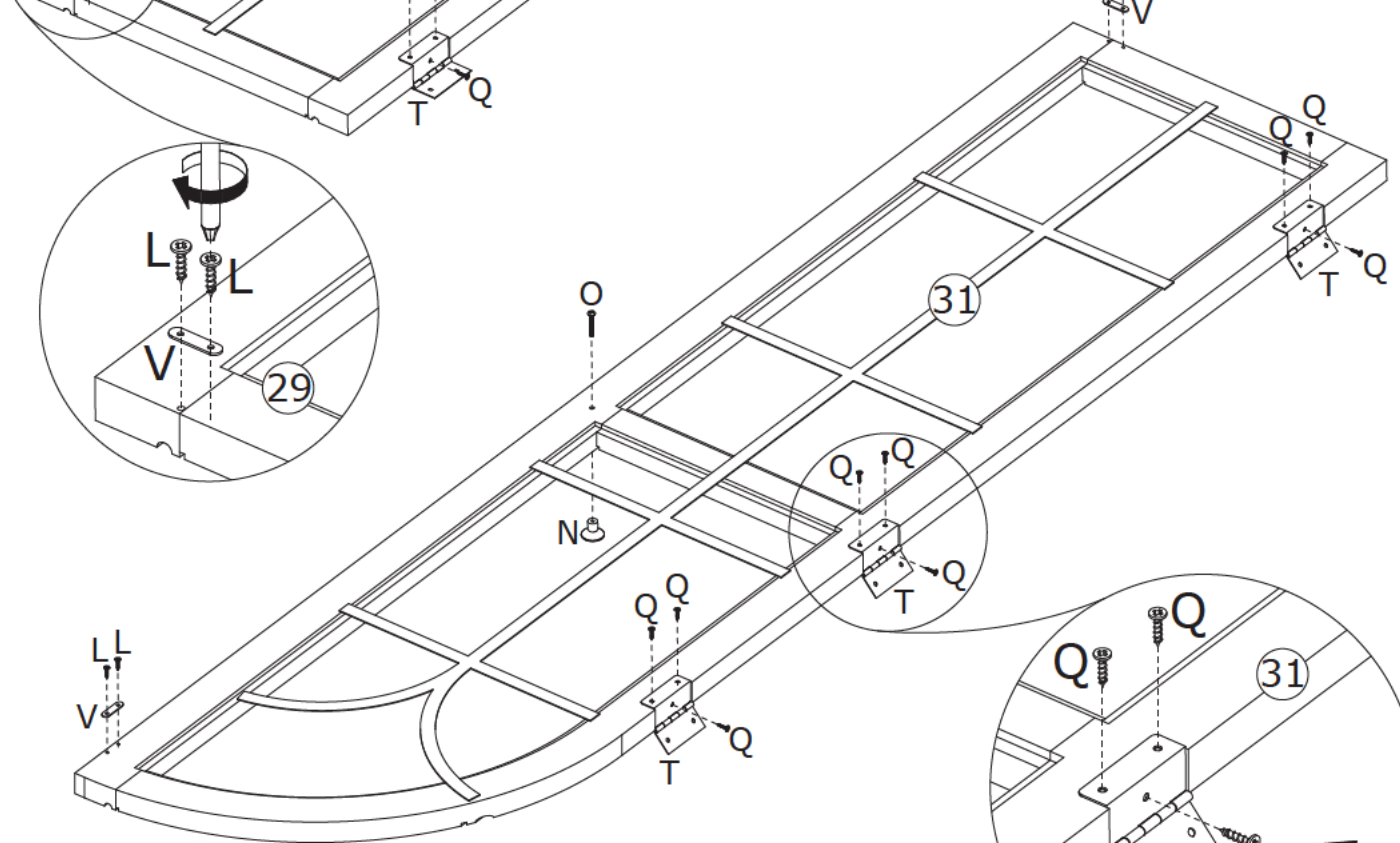
V x 4



Fix hinge(T) to glass panel 29 and 31 with screw(Q) as shown.



Fix knob(N) to glass panel 29 and 31 with screw(O) as shown.



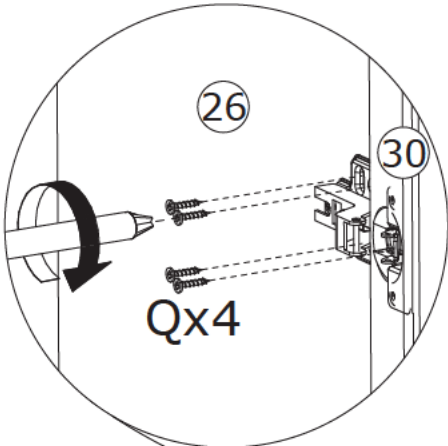
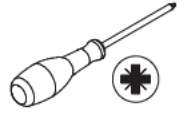
Fix part(V) to glass panel 29 and 31 with screw(L) as shown.

40

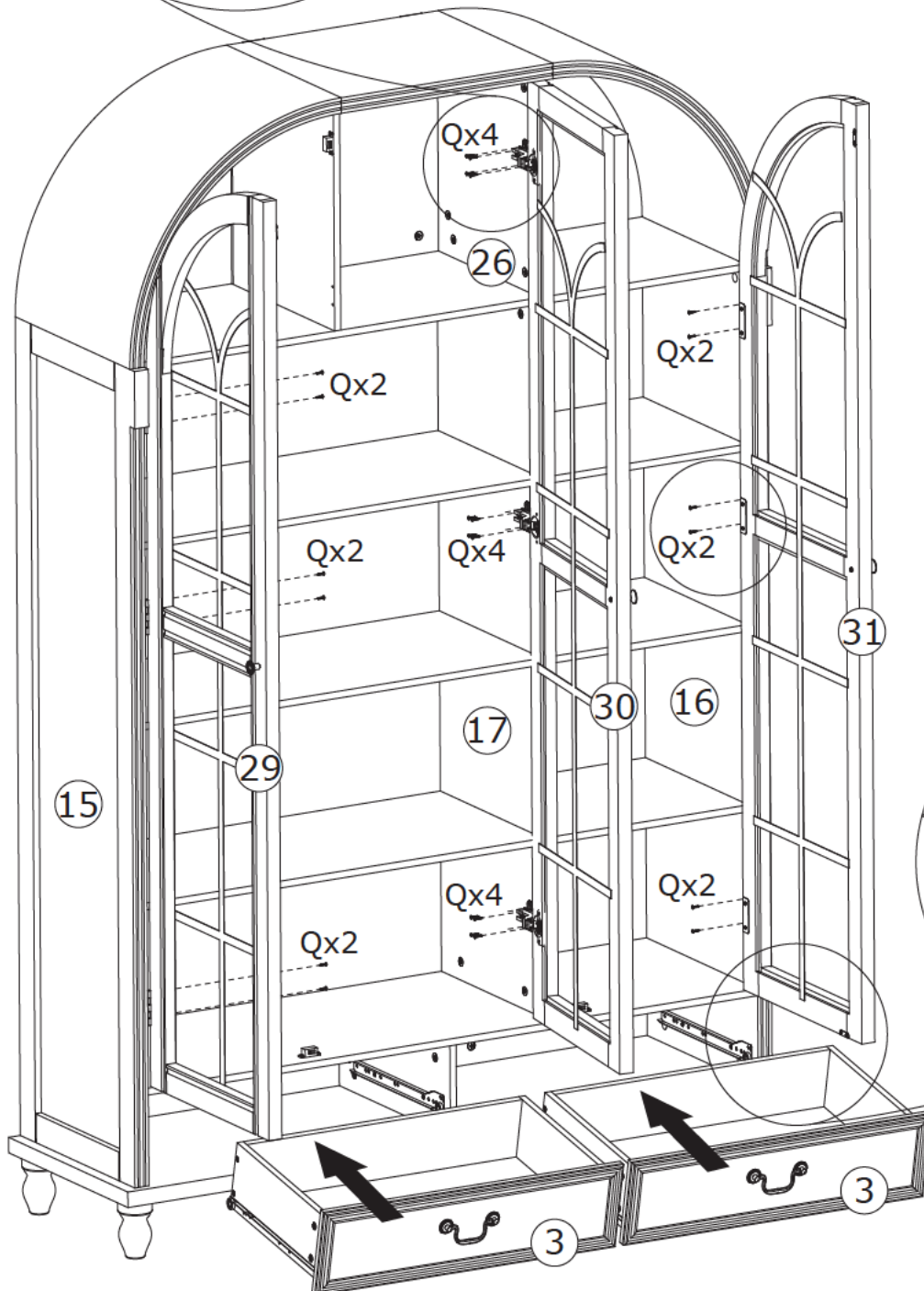
Q x 24



M3 x 14 mm



Attach glass panel 29, 30 and 31 to panel 15, 17 and 16 by fixing hinge with screw(Q) as shown.



41



WARRANTY

WARRANTY CLAIMS

- There is a 30-day warranty for broken furniture or any other problems that do not work properly. The warranty will start from the date of purchase which must be verified by proof of purchase.
- Before making a claim, we may be able to answer your query, simply call us. Please leave your purchase order number, along with some details of the problem, if you want a replacement part. We will arrange within 48 hours. If there is out of stock, we will reply with a shipping date.
- The product must be used in accordance with the instructions provided. For health reasons.
- For other reasons, if the furniture needs to be returned, it must be cleaned and dried and operated within 30 days of receipt.

Type of Warranty Claim

- Failure to follow the furniture instructions will invalidate the warranty. Attention please.
- Does not include damage during installation, but includes damage during transportation.

Scope of responsibility

- Shall not bear any responsibility for misuse or user damage and / or loss of parts during the installation of furniture.
- After using, the damage and scratches of the furniture are not covered by the warranty.

The Warranty Relates to All Bought in The Us and Covers The Following Areas

- Sheet parts: 1 month from the date of purchase.
- Electrical parts: 1 month from the date of purchase.

RETURNS

CHANGED YOUR MIND AND NEED TO RETURN YOU ITEM?

PLEASE FOLLOW THE BELOW INSTRUCTIONS:

- If you have purchased and have simply changed your mind, follow the retailer's instructions for returns.

DEFECTIVE ITEMS

- If your item is defective in any way, i.e. it doesn't work but you can't identify why, in the first instance, please call us.

DAMAGED ITEMS

- If you receive an order with obvious shipping damage from the retailer, then we suggest the delivery is refused. If the delivery has been accepted and then shipping damage is found, please follow the specific instructions advised by the retailer.
In all circumstances please save all packaging material and paperwork for the order. Please be aware that if you dispose of packaging material or attempt to return the merchandise without contacting the fulfiller, you jeopardise your chances of making a claim, and you may not receive a credit for the return.