

ASSEMBLY INSTRUCTION

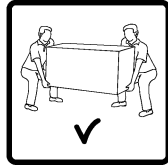
ASSEMBLY TIPS:

- 1.Remove hardware from box and sort by size.
- 2.Please check to see that all hardware and parts are present prior to start of assembly.
- 3.Please follow attached instructions in the same sequence as numbered to assure fast & easy assembly.



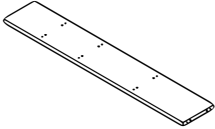
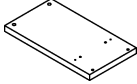
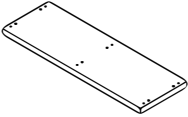
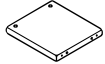
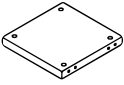
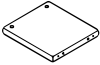
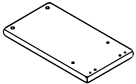
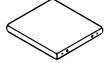
Warning !

- 1.Don't attempt to repair or modify parts that are broken or defective.Please contact the store immediately.
- 2.This product is for home use only and not intended for commercial establishment.



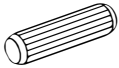
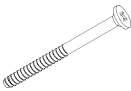

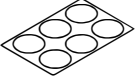


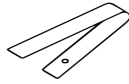



ASSEMBLY TIME PER UNIT: 40 MINUTES

PARTS IDENTIFICATION:

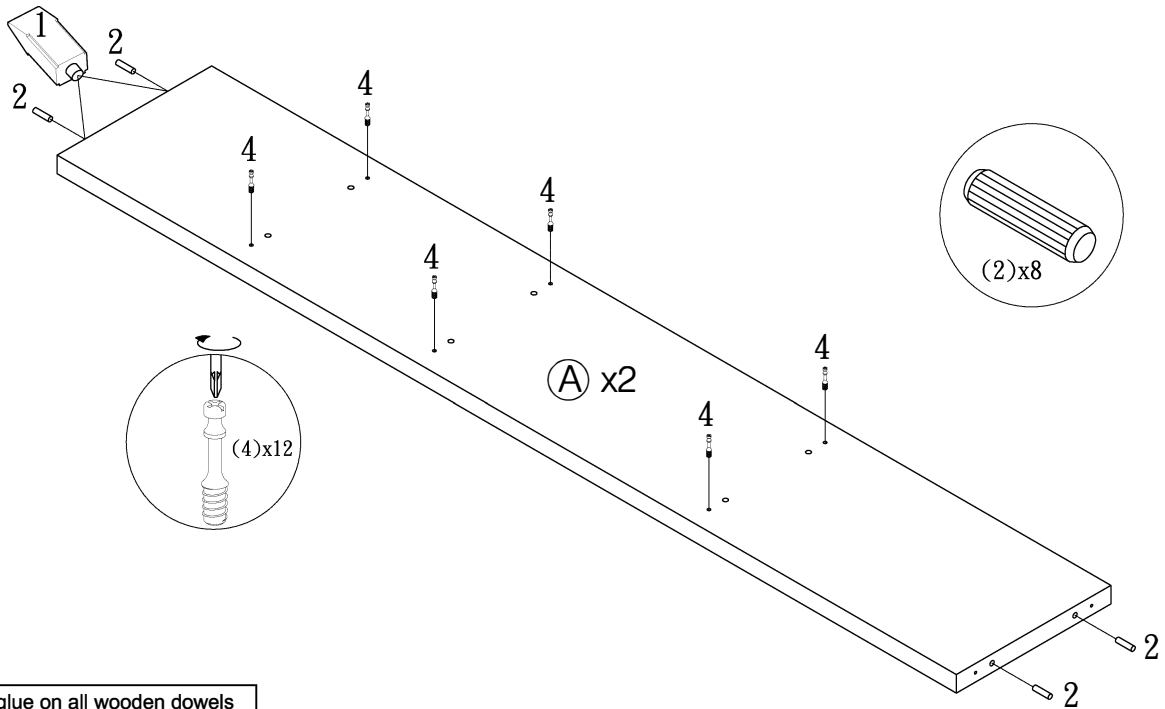
(A) SIDE PANEL		2PCS	(E) LOWER SHELF		2PCS
(B) LARGE CROSS PANEL		2PCS	(F) LOWER DIVIDER PANEL		2PCS
(C) SMALL CROSS PANEL		2PCS	(G) MIDDLE DIVIDER PANEL		2PCS
(D) UPPER SHELF		2PCS	(H) UPPER DIVIDER PANEL		1PC

HARDWARE PACKAGE

HARDWARE PACKAGE							
NO	DESCRIPTION	FIGURE	Q'TY	NO	DESCRIPTION	FIGURE	Q'TY
1	GLUE 40g		1PC	4	CAM BOLT $\phi 7 \times 35.5 \text{mm}$		24PCS
2	WOODEN DOWEL $\phi 8 \times 30 \text{mm}$		44PCS	5	BOLT $\phi 9.5 \times 55 \text{mm}$		20PCS
3	CAM LOCK $\phi 15 \times 12 \text{mm}$		24PCS	6	STICKER $\phi 20 \text{mm}$		8PCS

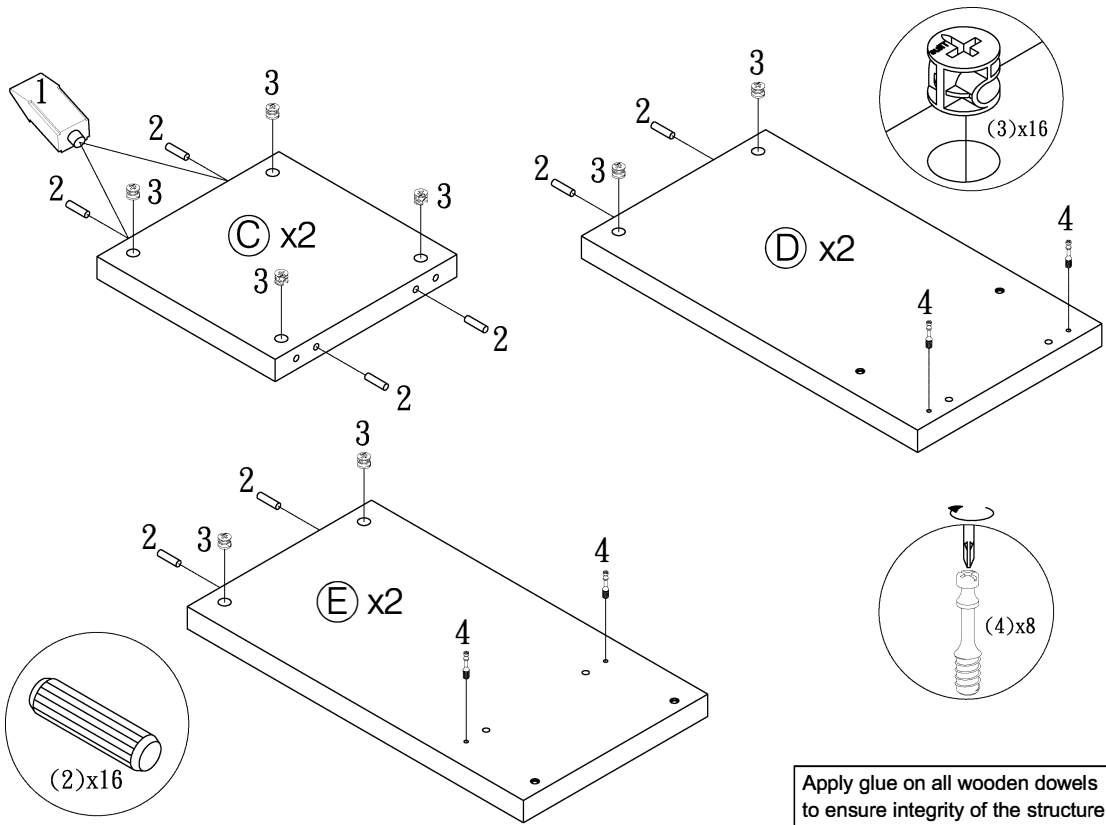
HARDWARE PACKAGE							
NO	DESCRIPTION	FIGURE	Q'TY	NO	DESCRIPTION	FIGURE	Q'TY
7	ANTI-TIP STRAP 170x15mm		2PCS	9	WALL SCREW Ø4x25mm		2PCS
8	WALL PLUG 6x30mm		2PCS	10	SCREW Ø4x16mm		2PCS

STEP 1 :

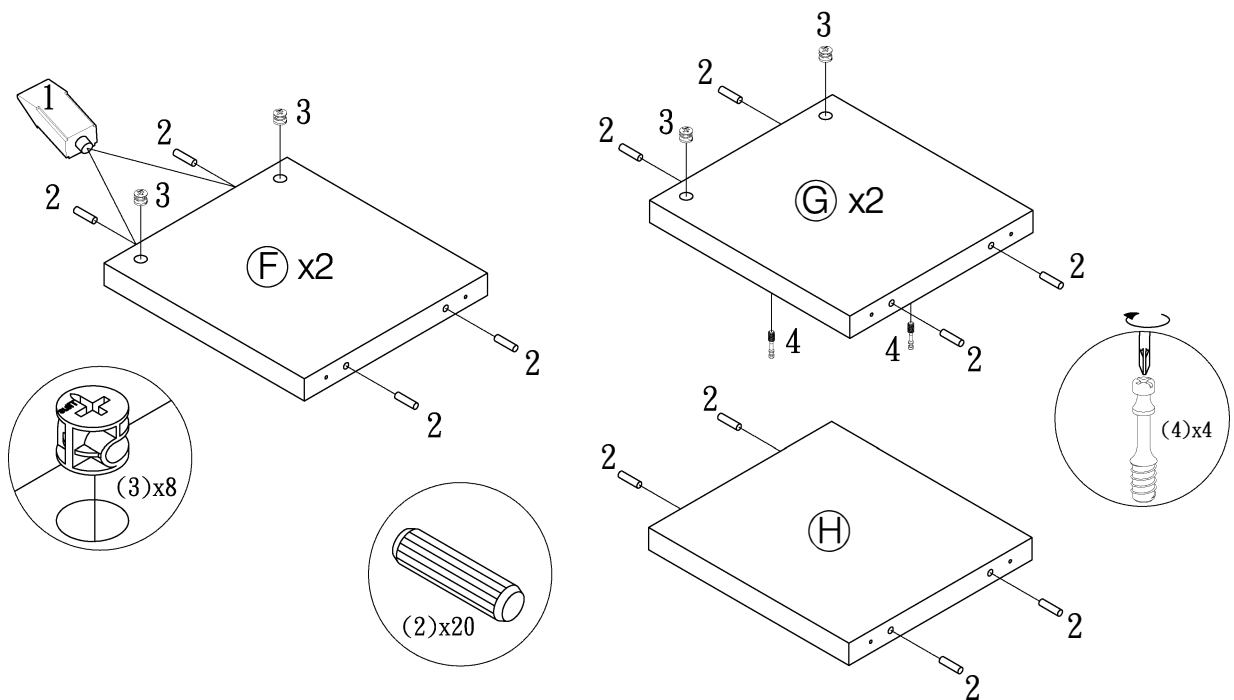


Apply glue on all wooden dowels to ensure integrity of the structure.

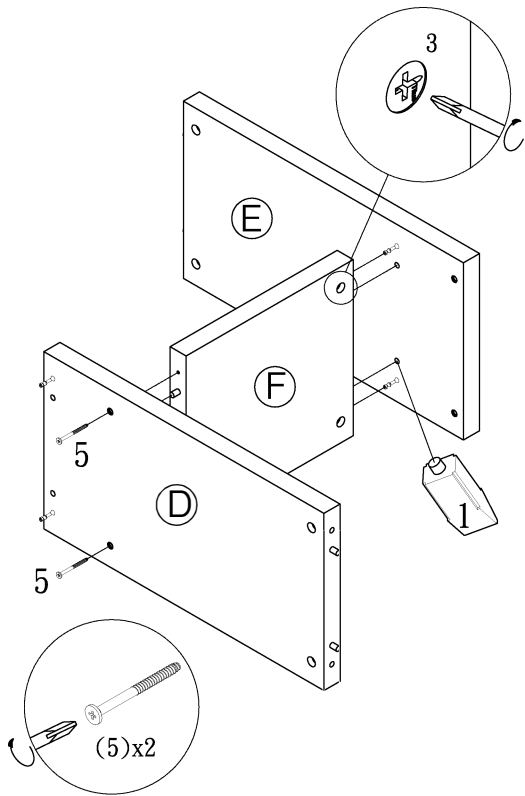
STEP 2 :



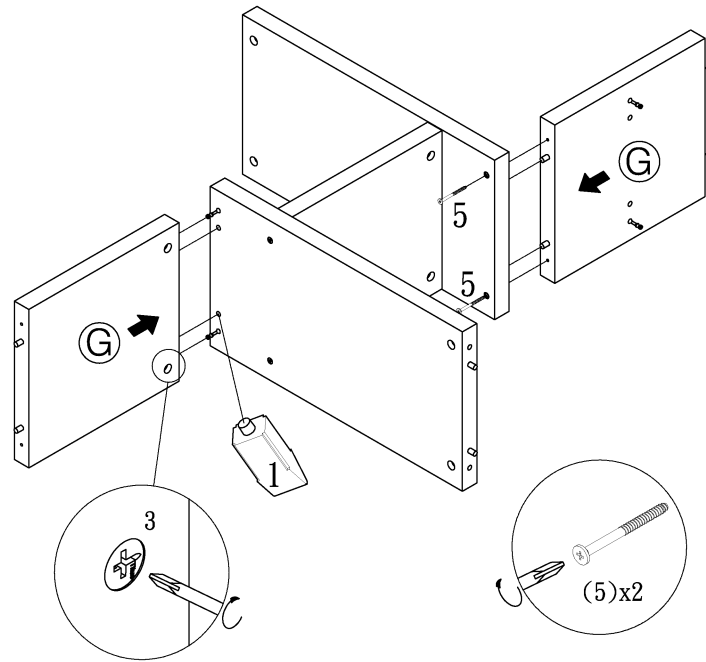
STEP 3 :



STEP 4 :

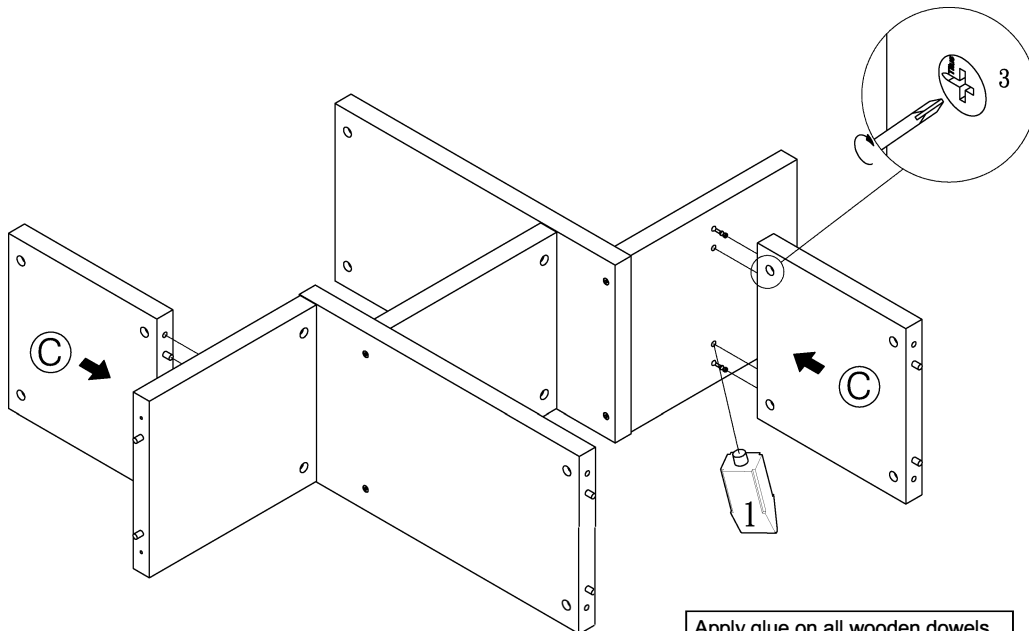


STEP 5 :



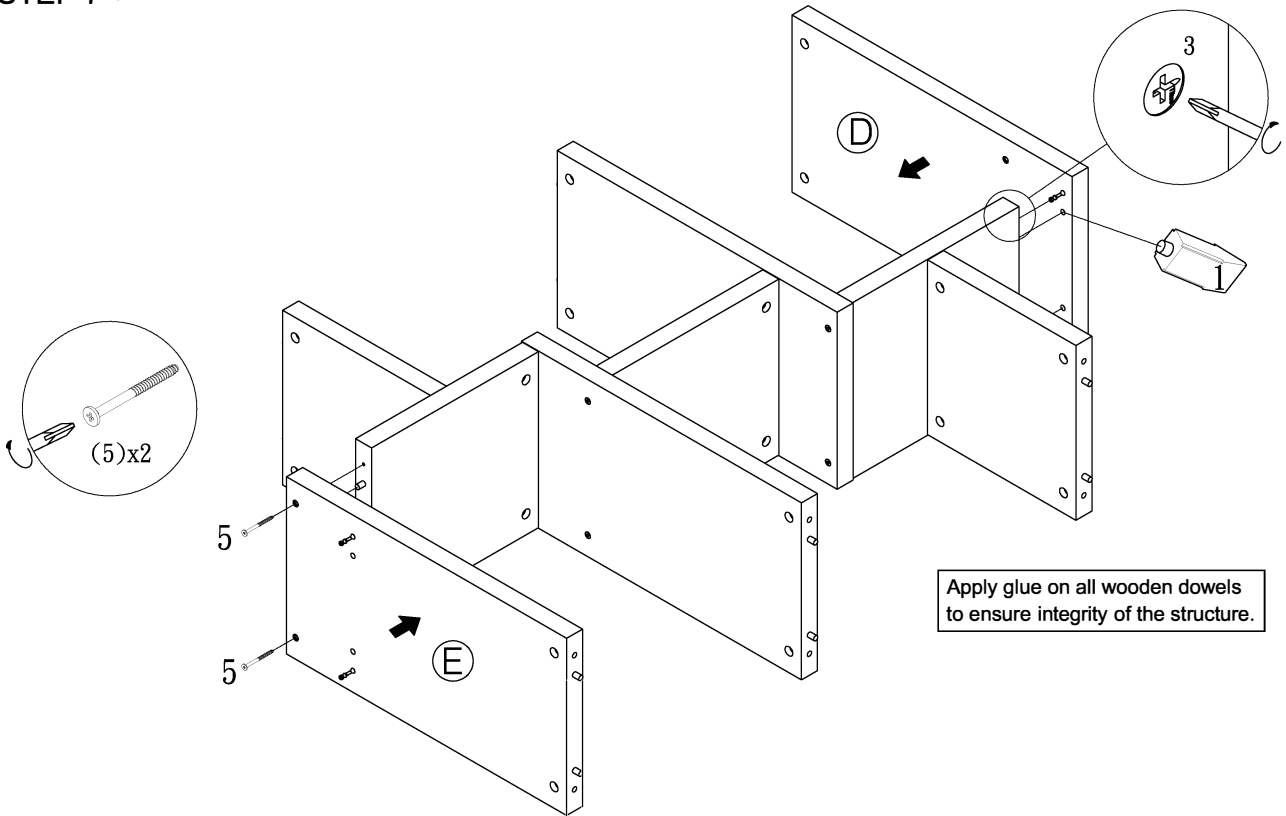
Apply glue on all wooden dowels to ensure integrity of the structure.

STEP 6 :

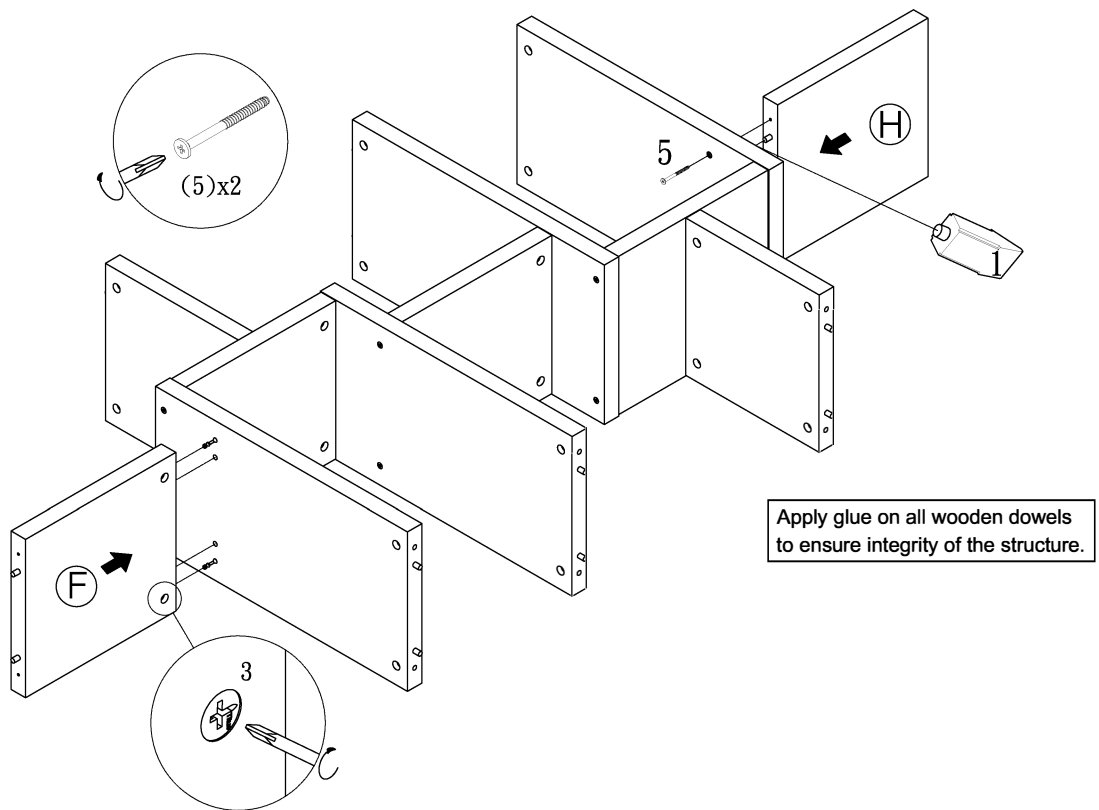


Apply glue on all wooden dowels to ensure integrity of the structure.

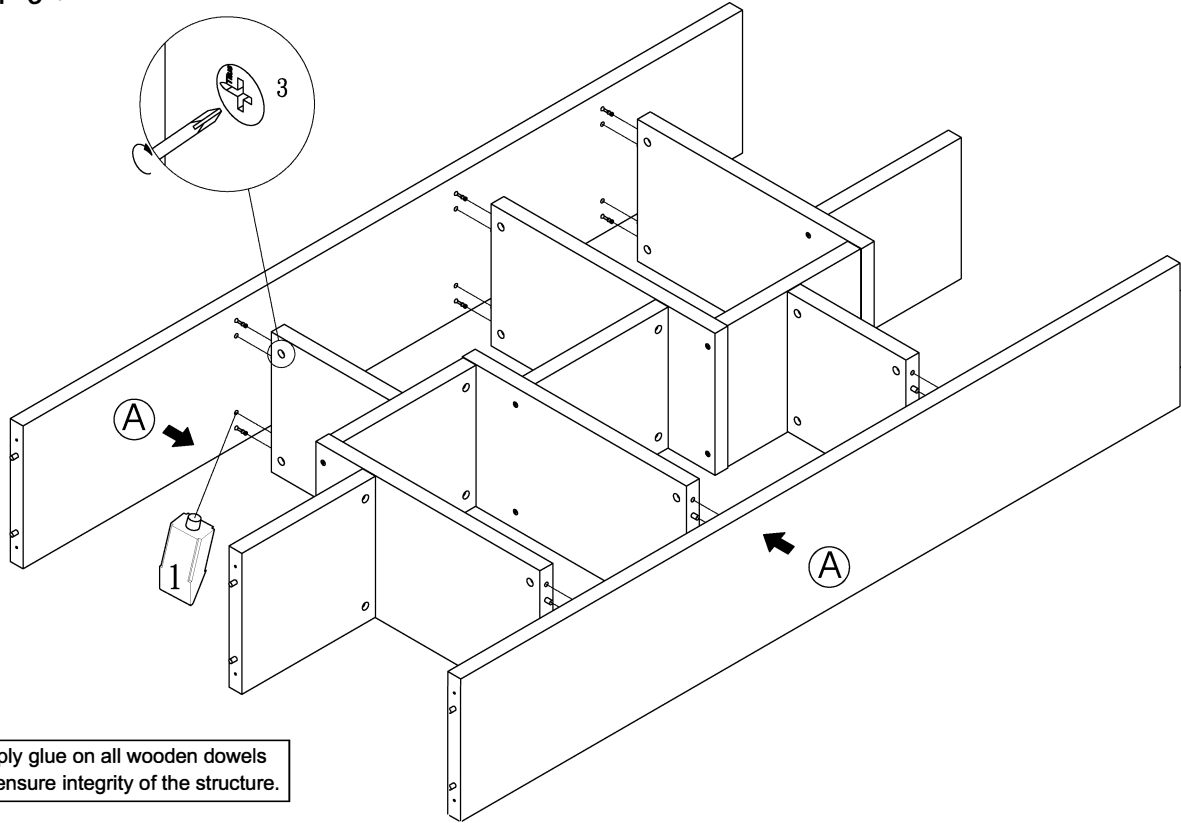
STEP 7 :



STEP 8 :

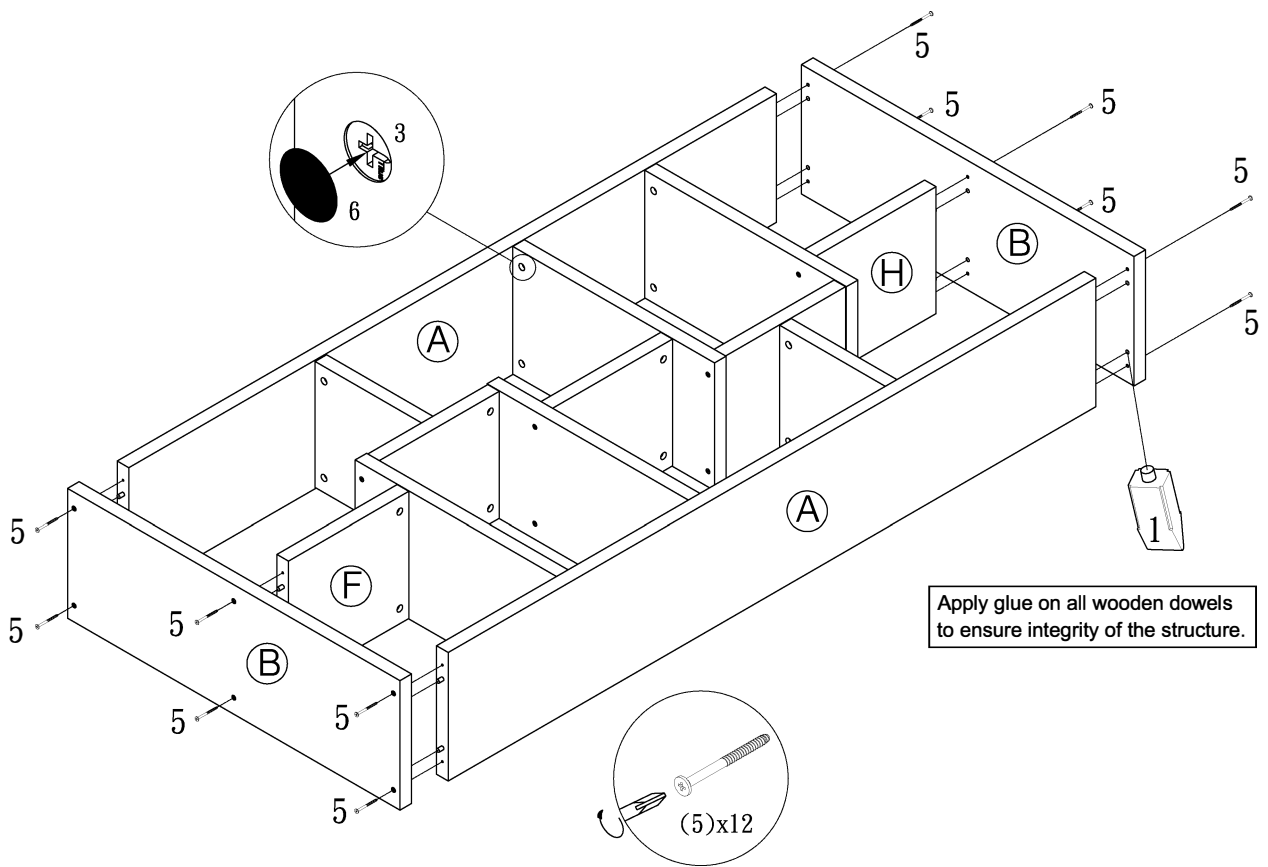


STEP 9 :



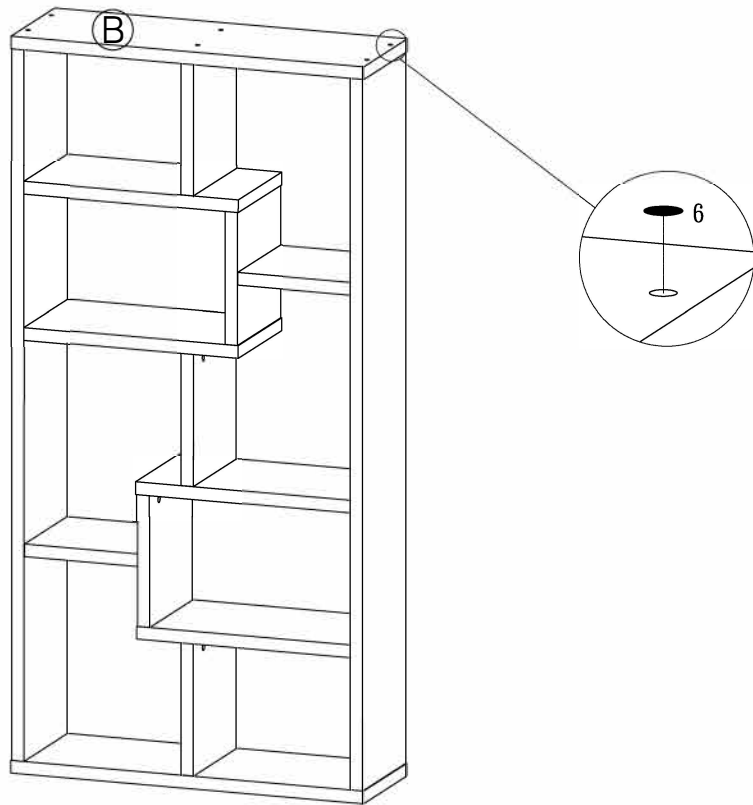
Apply glue on all wooden dowels to ensure integrity of the structure.

STEP 10 :



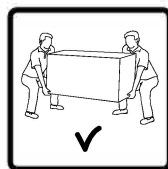
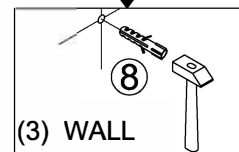
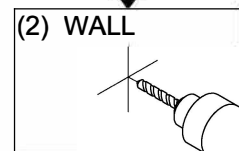
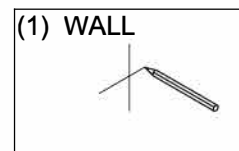
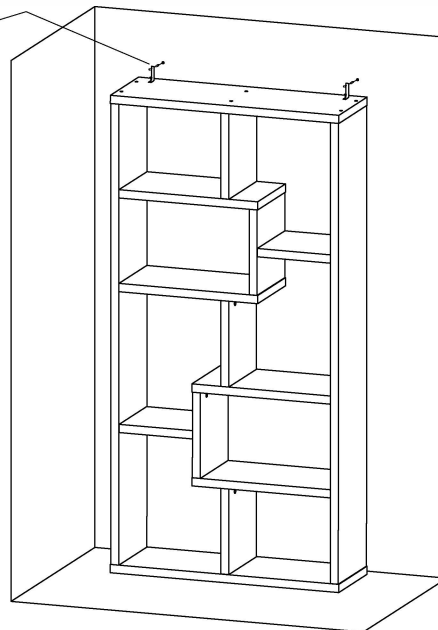
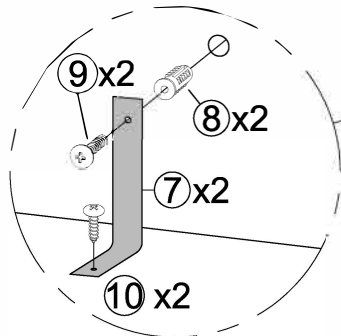
Apply glue on all wooden dowels to ensure integrity of the structure.

STEP 11 :



STEP 12 : ATTENTION: ANTI TIPPING SAFEGUARD

Please install the anti-tipping hardware as shown in the drawing. This can help to prevent any tipping issues.



FURNITURE TIPPING RESTRAINT

WARNING

Injury may result from **tipping furniture**
 This restraint is not a substitute for proper adult supervision.
 This restraint may provide protection against tipping furniture.
 Do not allow children to climb on furniture.
 Failure to detach this restraint before moving furniture may
 result in injury and damage