

## **USER'S MANUAL**

### **Vanity Table Set**

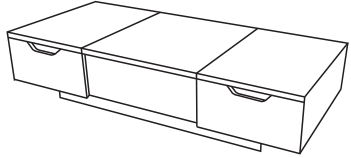


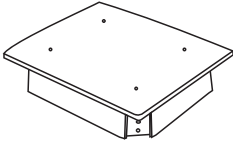
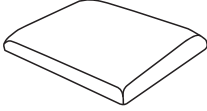
THIS INSTRUCTION BOOKLET CONTAINS **IMPORTANT** SAFETY INFORMATION. PLEASE READ AND KEEP FOR FUTURE REFERENCE.




# Before You Start

- ⚠ Please read all instructions carefully.
- ⚠ Retain instructions for future reference.
- ⚠ Separate and count all parts and hardware.
- ⚠ Read through each step carefully and follow the proper order.
- ⚠ We recommend that, where possible, all items are assembled near to the area in which they will be placed in use, to avoid moving the product unnecessarily once assembled.
- ⚠ Always place the product on a flat, steady and stable surface.
- ⚠ Keep all small parts and packaging materials for this product away from babies and children as they potentially pose a serious choking hazard.

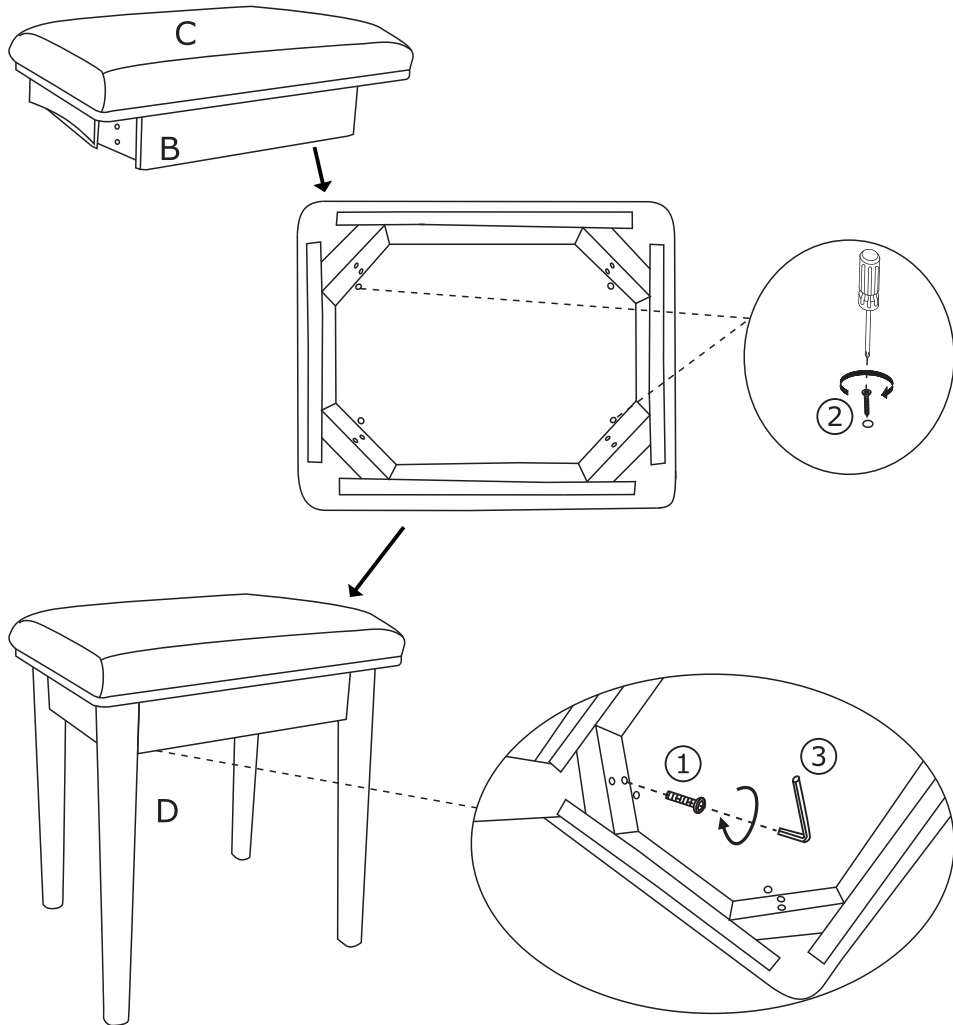
## Parts

A  x1	D  x4	E  x4
B  x1		
C  x1		

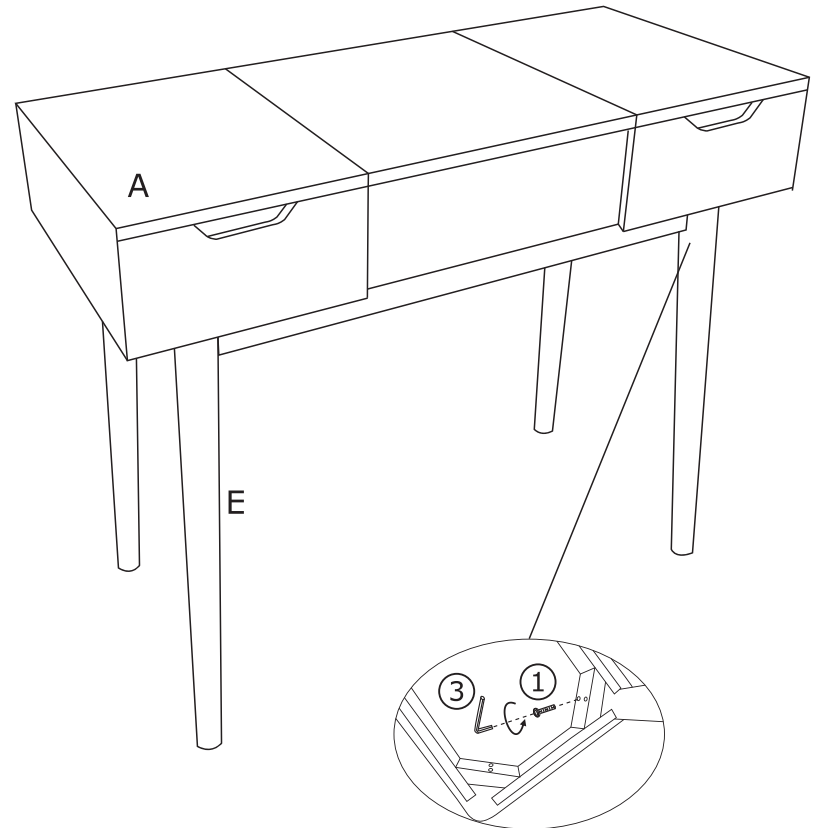
①  x16 SIZE: Ø6x40mm	②  x4 SIZE: Ø3x20mm	③  x1
--	---	--

## Assembly Instruction

1. Connect Pad and Seat with 4pcs screws ②, and connect Stool legs and Seat with 8pcs screws ①.



2. Use 8pcs screws ① to install the Vanity Table.



3. Finish.

