

DAYBED ASSEMBLY INSTRUCTION

Thank you for purchasing this quality product. Be sure to check all packing material carefully for small parts which may have come loose inside the carton during shipment. Separate, identify and count all parts and hardware. Compare with the parts list to be sure all parts are present.

IMPORTANT : PLEASE READ INSTRUCTION BEFORE STARTING THE ASSEMBLY.

"DO NOT TIGHTEN SCREWS UNTIL COMPLETELY ASSEMBLED"

"DO NOT OVERTIGHT ANY HARDWARE"

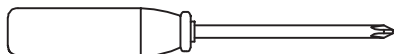
WARNING : SMALL PARTS AND HARDWARE NOT FOR CHILDREN UNDER 3 YEARS. ADULT ASSEMBLY REQUIRED.

TABLE OF CONTENTS

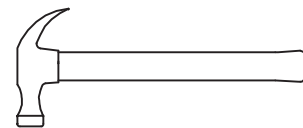
HARDWARES LIST	PAGE 2
PARTS LIST	PAGE 3 - 4
PARTS' LOCATION	PAGE 5
ASSEMBLY STEPS	PAGE 6 - 10
ASSEMBLY COMPLETED	PAGE 10

ASSEMBLY TOOLS REQUIRED

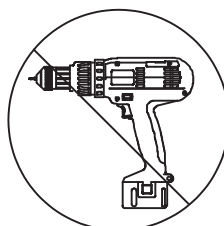
1. Screwdriver (not provide)



2. Hammer (not provide)



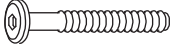
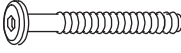









Skip the power drill this time.



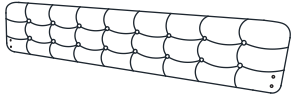
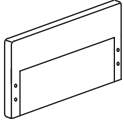
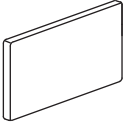
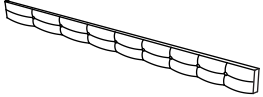
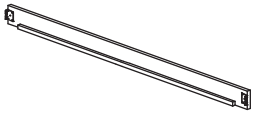

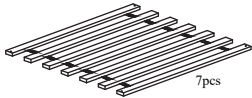
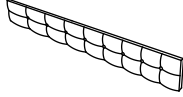
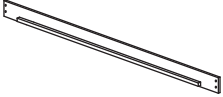
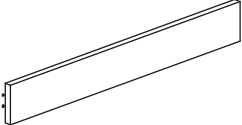
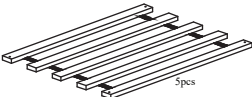
DAYBED ASSEMBLY INSTRUCTION

HARDWARES LIST

ITEM	DESCRIPTION	DRAWING	QTY
A	JCBB SCREW M8 x 20MM		16 PCS
B	JCBC SCREW M6 x 35MM		4 PCS
C	JCBC SCREW M6 x 50MM		12 PCS
D	JCBC SCREW M6 x 60MM		4 PCS
E	SPRING WASHER M6 x 12MM		16 PCS
F	FLAT WASHER M6 x 19MM		4 PCS
G	FLAT WASHER M6 x 13MM		12 PCS
H	CSK SCREW (M4 x 16MM)		24 PCS
I	CSK SCREW (M4 x 32MM)		16 PCS
J	M4 ALLEN KEY (65MM)		1 PC
K	M5 ALLEN KEY (65MM)		1 PC

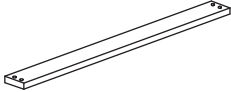
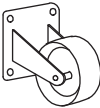
DAYBED ASSEMBLY INSTRUCTION

PARTS LIST

ITEM	DESCRIPTION	DRAWING	QTY
1	BACK REST		1 PC
2	SIDE PANEL (L)		1 PC
3	SIDE PANEL (R)		1 PC
4	FRONT SIDE RAIL		1 PC
5	BACK SIDE RAIL		1 PC
6	LEG		4 PCS
7	DAYBED SLAT		2 SETS
8	TRUNDLE FRONT RAIL		1 PC
9	TRUNDLE BACK RAIL		1 PC
10	TRUNDLE SIDE RAIL		2 PCS
11	TRUNDLE SLAT		2 SETS

DAYBED ASSEMBLY INSTRUCTION

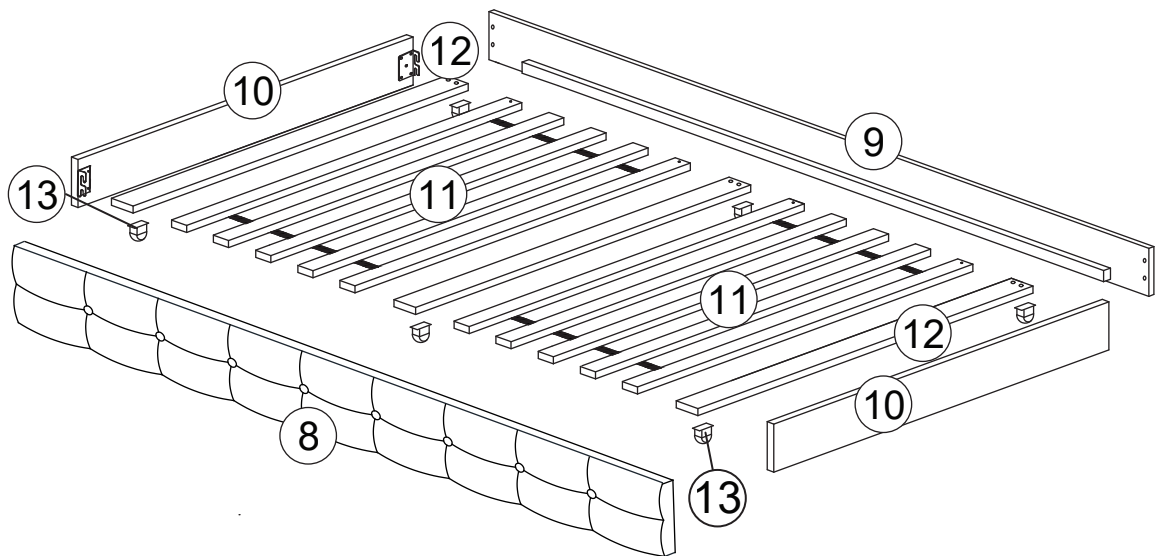
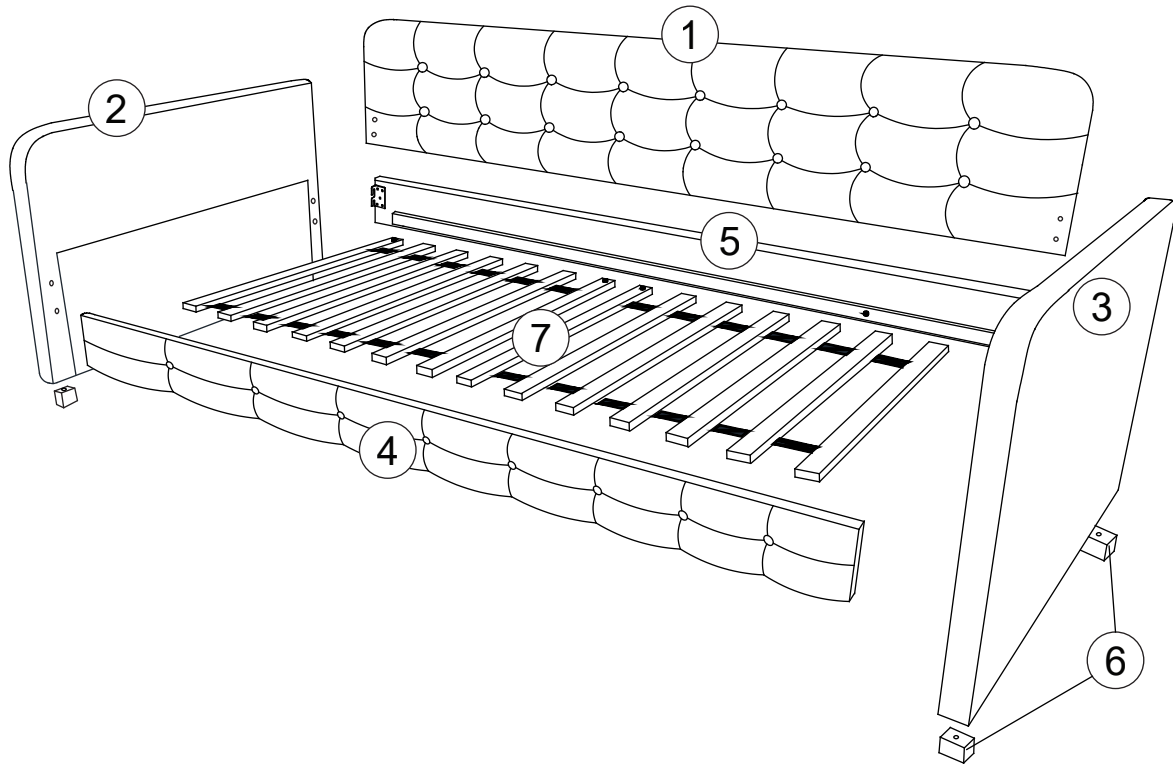
PARTS LIST

ITEM	DESCRIPTION	DRAWING	QTY
12	TRUNDLE SLAT SUPPORT		3 PCS
13	CASTOR		6 PCS

MORE PARTS DETAIL IN NEXT PAGE...

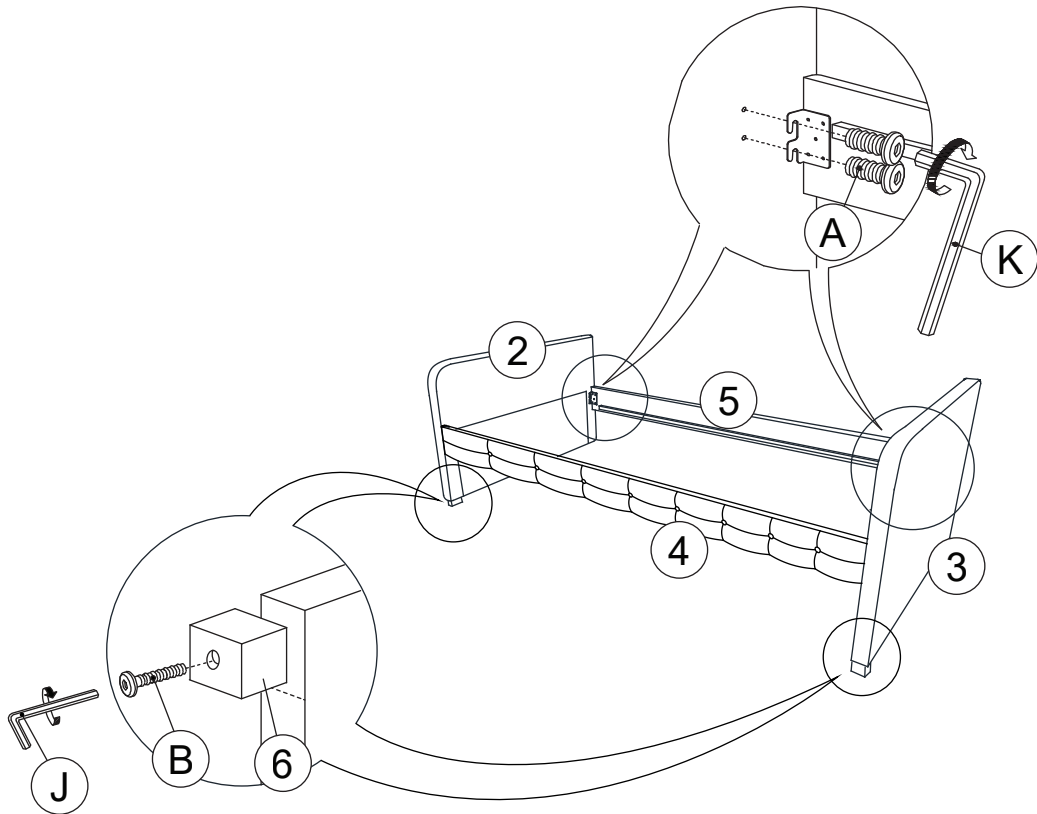
DAYBED ASSEMBLY INSTRUCTION

PARTS ' LOCATION

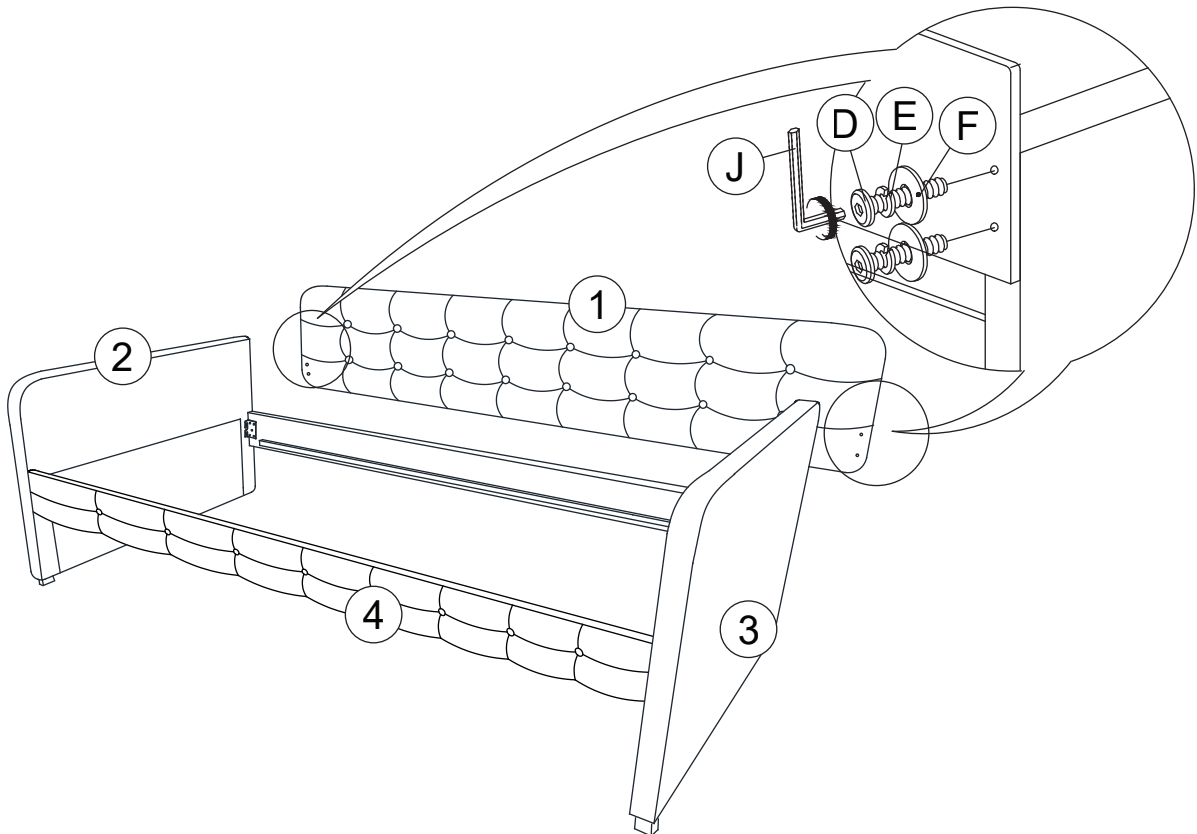


DAYBED ASSEMBLY INSTRUCTION

STEP 1

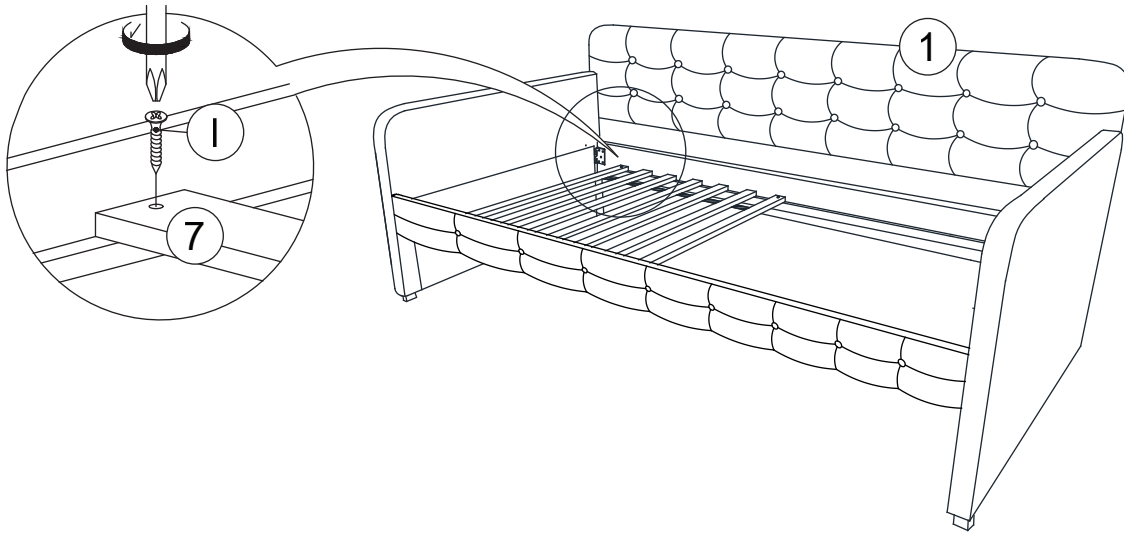


STEP 2

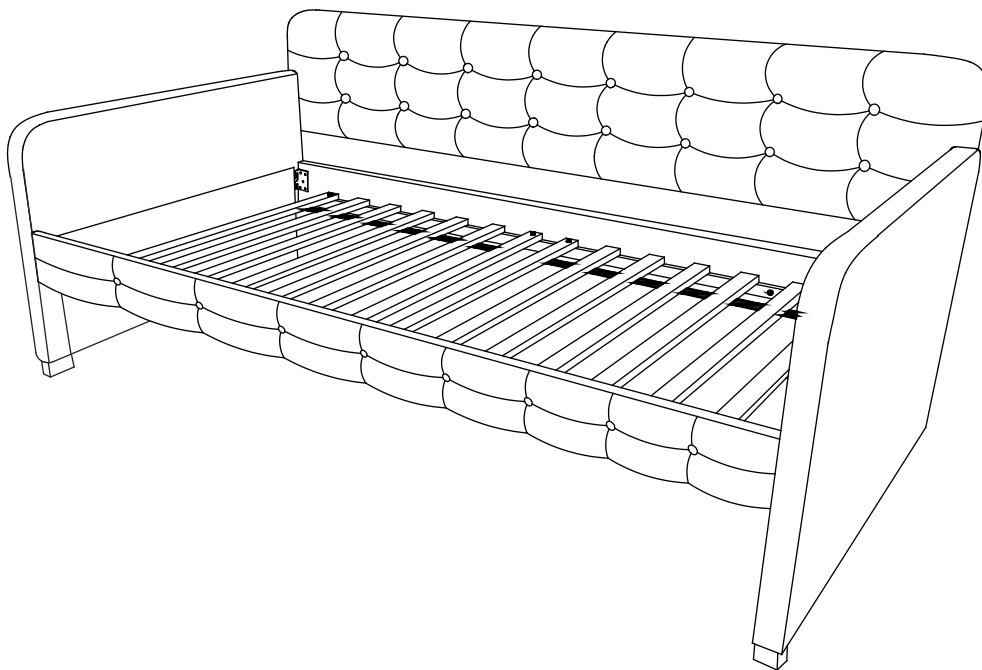


DAYBED ASSEMBLY INSTRUCTION

STEP 3

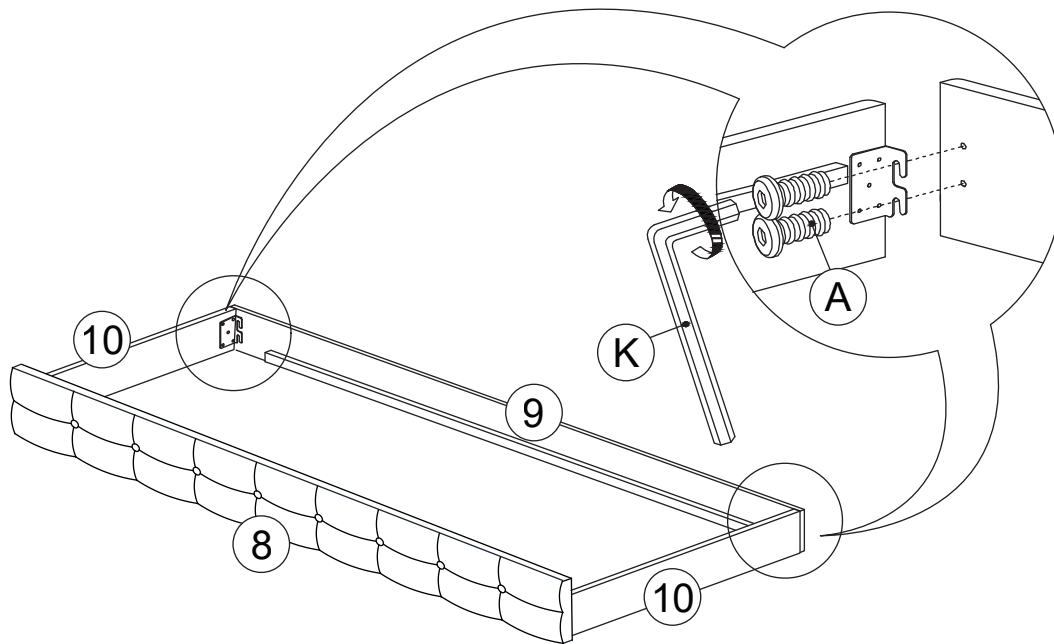


STEP 4

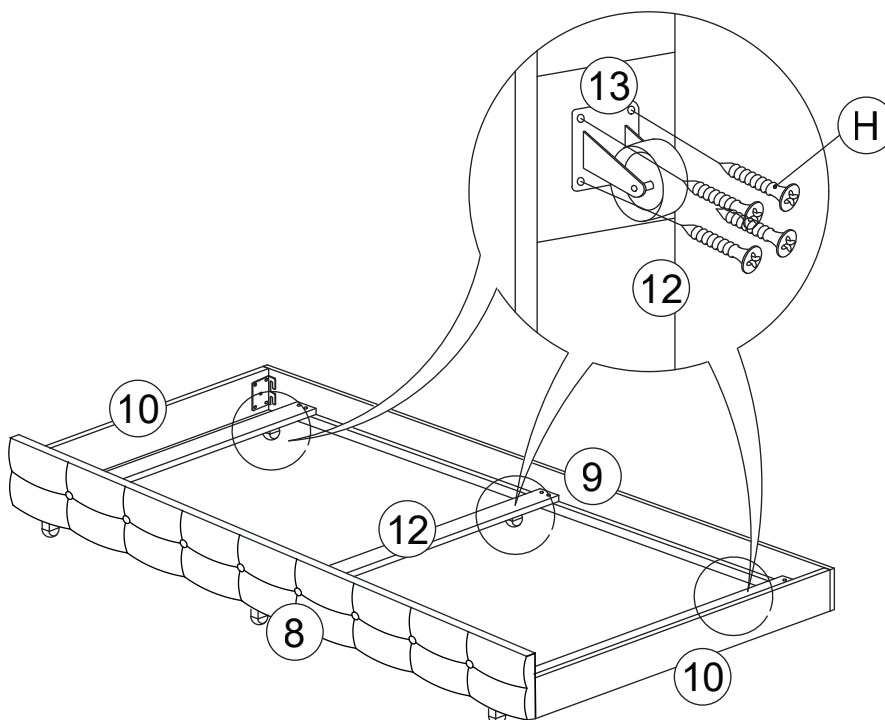


DAYBED ASSEMBLY INSTRUCTION

STEP 5

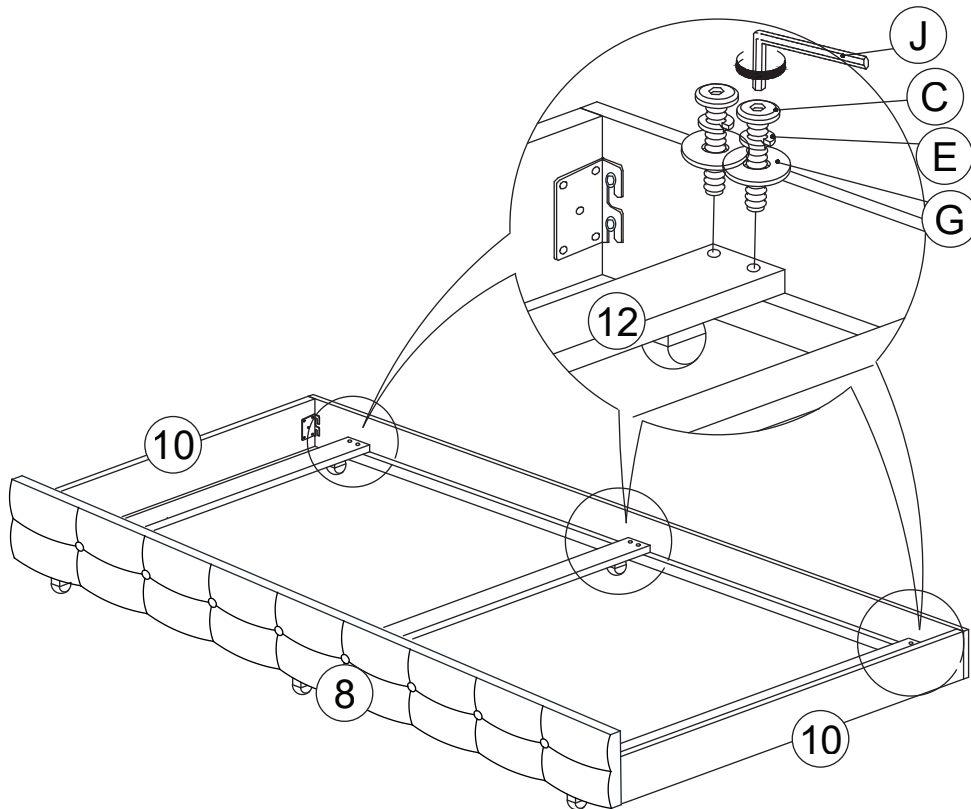


STEP 6

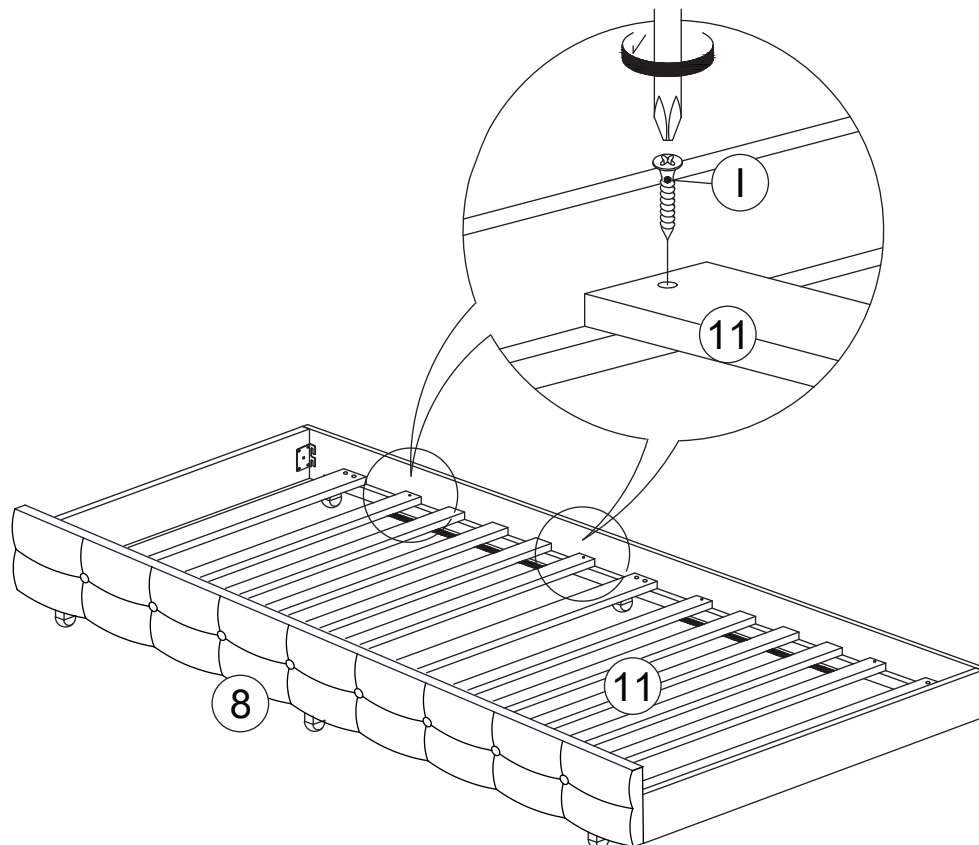


DAYBED ASSEMBLY INSTRUCTION

STEP 7

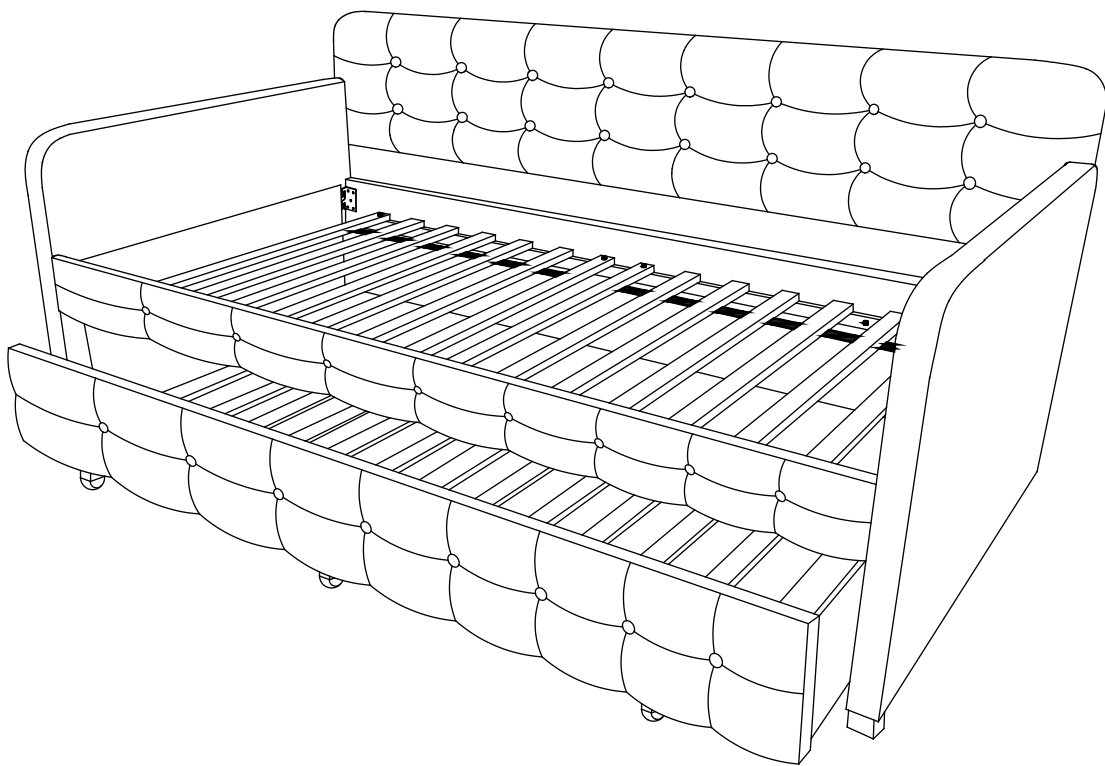


STEP 8



DAYBED ASSEMBLY INSTRUCTION

STEP 9



ASSEMBLY COMPLETED