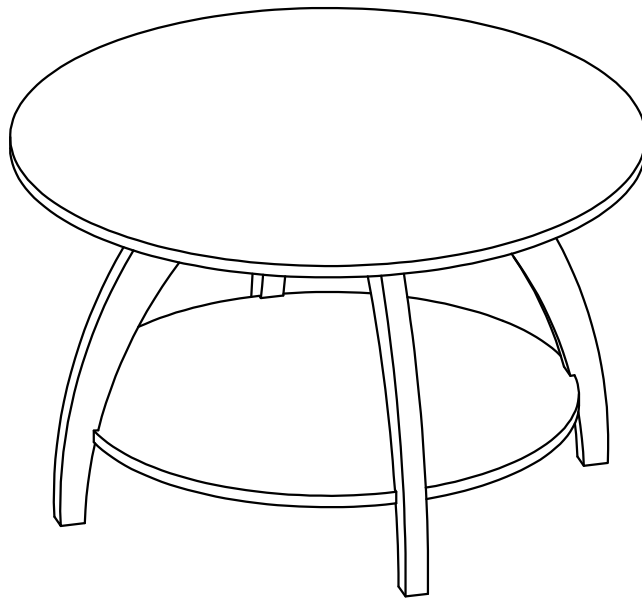


COFFEE TABLE



Assembly Instruction

We have designed our furniture with you, the customer in mind. Our clear, easy to follow step by step instructions will guide you through the project from start to finish. Feel confident that this will be a fun and rewarding project. The final product will be a quality piece of furniture that will go together smoothly and give years of enjoyment.



Please do not return to the store









Broken or missing Hardware?

*Excludes Holidays

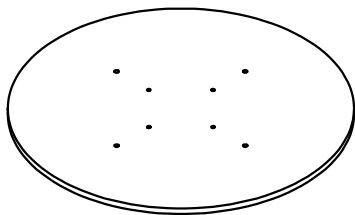
This product's warranty is only valid through authorized dealers

Please verify all parts are present before beginning assembly

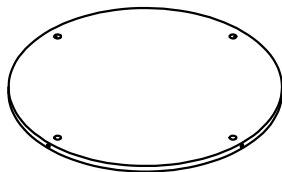
Hardware List

			
Camlock (4 pcs)	Cambolt (4 pcs)	Short Allen Bolt (4 pcs)	Long Allen Bolt (4 pcs)
			
Spring Washer (4 pcs)	Flat Washer (4 pcs)	Allen Wrench (1 pc)	Wooden Dowel (8 pcs)

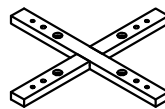
Parts List



(1)- **Top** (1 pc)



(2)- **Bottom Shelf** (1 pc)

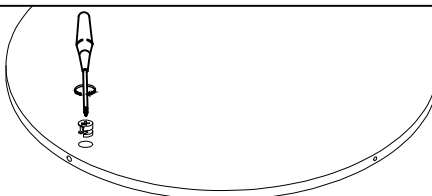


(3)- **Crossbar** (1 set)

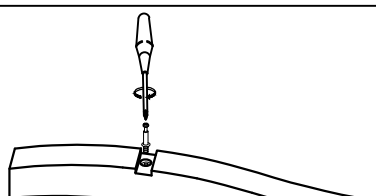


(4)- **Leg** (4pcs)

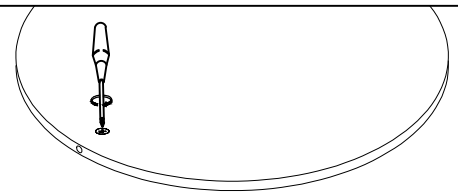
Assembling the unit with cambolts and camlocks



Insert camlock, arrow must face bolt hole



Gently screw cambolt into the threaded anchor



Gently screw the camlock clockwise into locked position. Do not overtighten

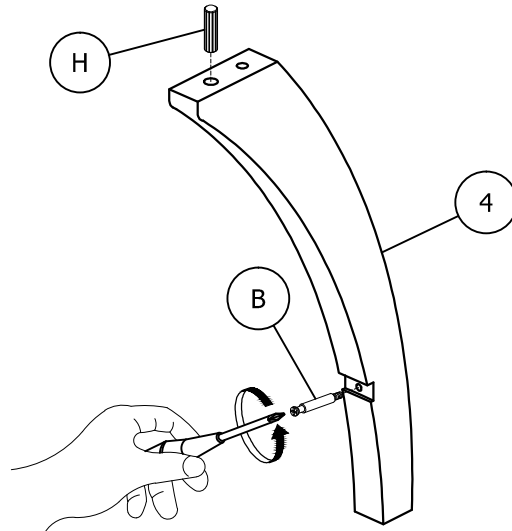


Please do not use any power tools in the assembly of this item. Use of power tools may cause damage and void manufacture warranty.

Assemble unit on carpet or other soft surface

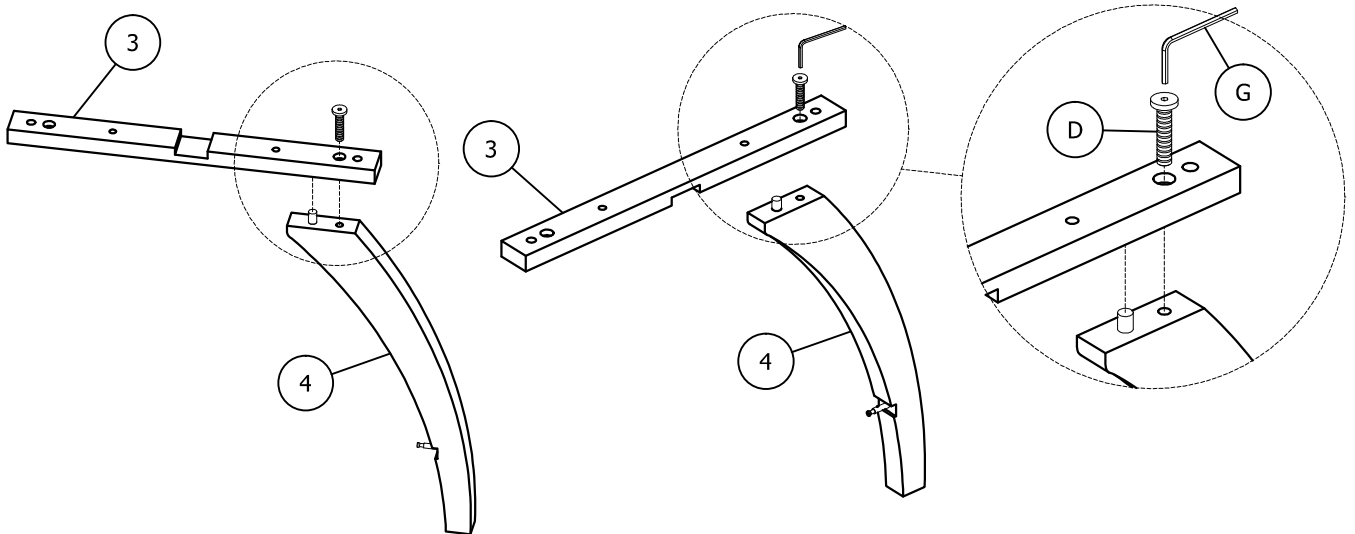
Step 1

1. Insert Wooden Dowel (H) into Legs (4).
2. Screw Cambolts (B) into Legs (4). Make sure to do this with all 4 Legs.



Step 2

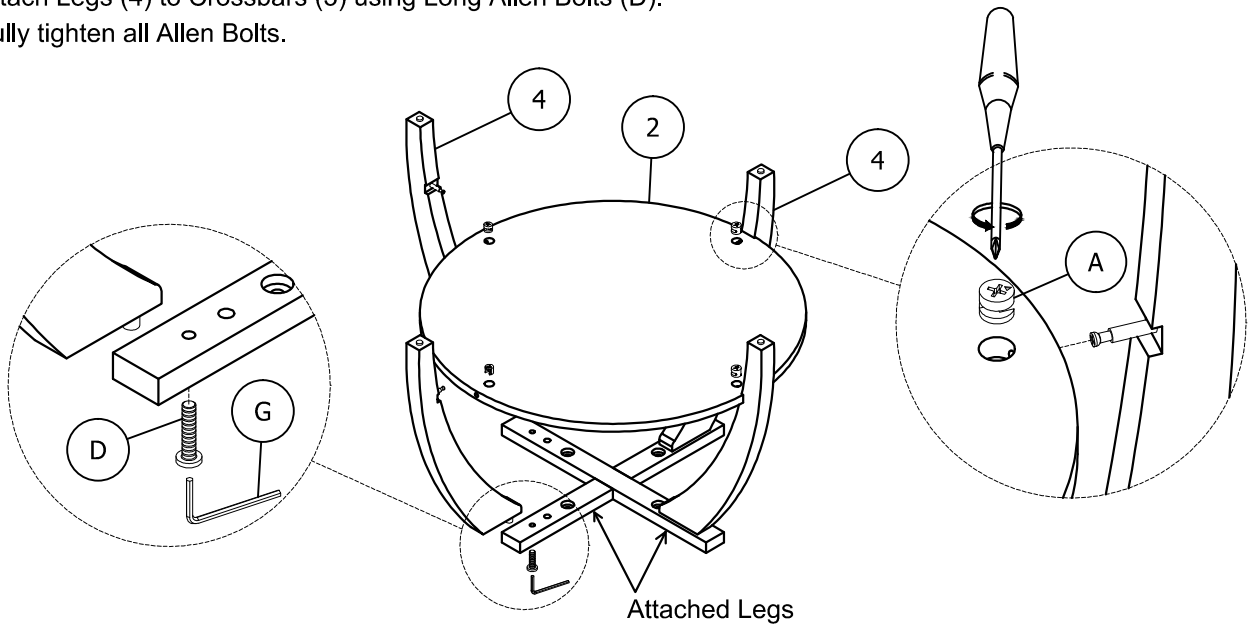
1. Attach one Leg (4) to each Crossbar (3) using Long Allen Bolts (D) and Allen Wrench (G).
2. Do not fully tighten Allen Bolts (D).



Assemble unit on carpet or other soft surface
It is recommended to have a second person to help support shelf with this step.

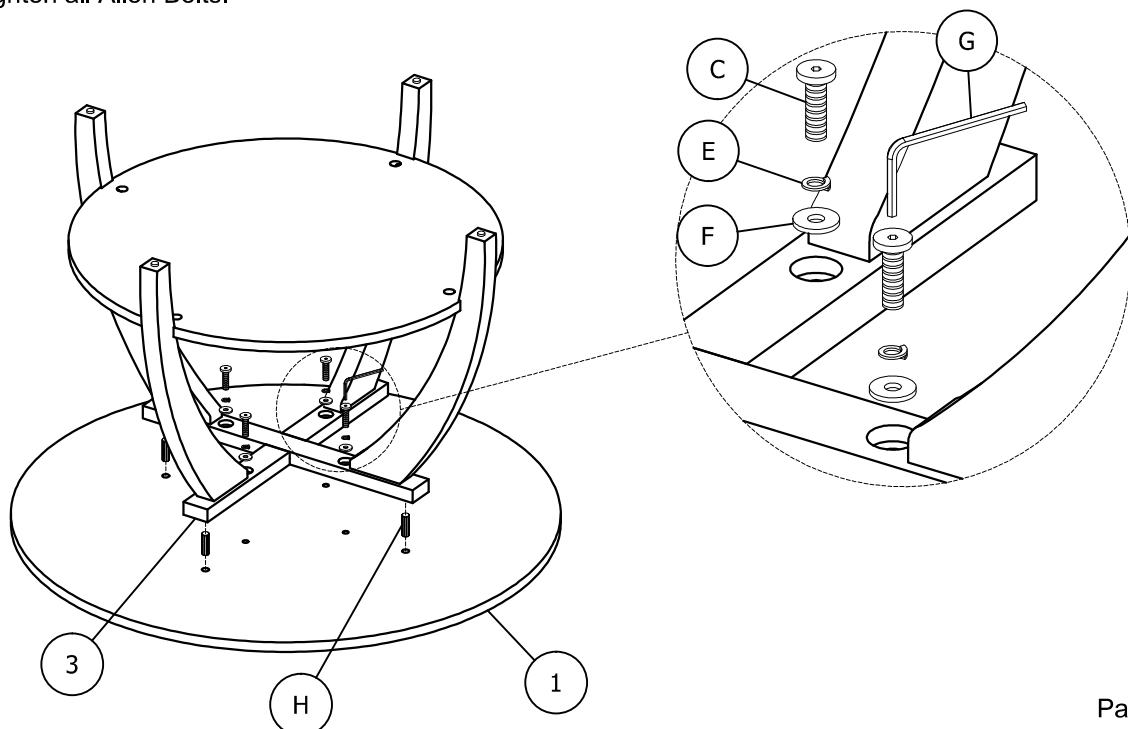
Step 3

1. Place Crossbars (3) so that attached Legs (4) are side by side.
2. Insert Camlocks (A) into Bottom Shelf (2).
3. Insert Bottom Shelf (2) into the grooves of attached Legs (4) as shown.
4. Gently tighten Camlocks.
5. Fasten the two remaining Legs (4) to Bottom Shelf (2) by gently tightening Camlocks.
6. Attach Legs (4) to Crossbars (3) using Long Allen Bolts (D).
7. Fully tighten all Allen Bolts.



Step 4

1. Insert Wooden Dowel (H) into Top (1).
2. Attach Crossbar (3) to Top (1) using Short Allen Bolts (C), Spring Washers (E), Flat washers (F) and Allen Wrench (G). Do not fully tighten Allen Bolts until all have been started.
3. Fully tighten all Allen Bolts.



Assemble unit on carpet or other soft surface

Step 5

1. Turn unit over and enjoy.

