


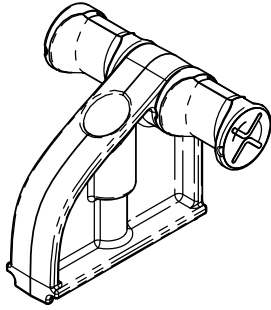
nexus[®]
by Ghent

EASEL PLUS ASSEMBLY INSTRUCTIONS

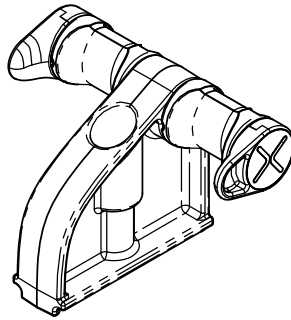
Models
NEX204EP-CM, NEX204EP-EM,
NEX204EP-PM, NEX204EP-SM,

 Before discarding the packaging, inventory the components and fasteners. (Some may be taped to the foam packaging.)

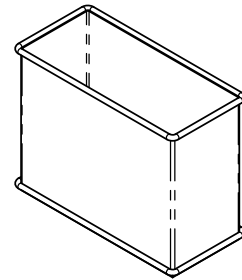
FASTENERS AND HARDWARE



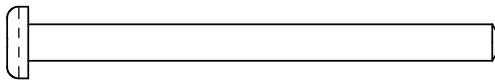
TABLET HANGER
4 EA.



TABLET HANGER
(WITH HOOKS)
4 EA.

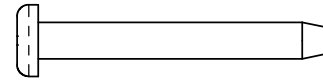


MARKER/ERASER BIN
2 EA.



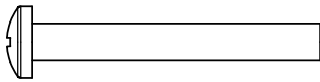
#10 X 2 1/2" PAN HEAD
MACHINE SCREW

4 EA.



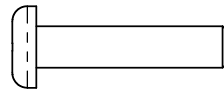
#10 X 1 1/2" PAN HEAD
TAPPING SCREW

4 EA.



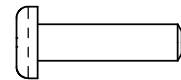
#10 X 1 1/2" PAN HEAD
MACHINE SCREW

4 EA.



#12 X 1" PAN HEAD
MACHINE SCREW

8 EA.



#10 X 3/4" PAN HEAD
MACHINE SCREW

4 EA.

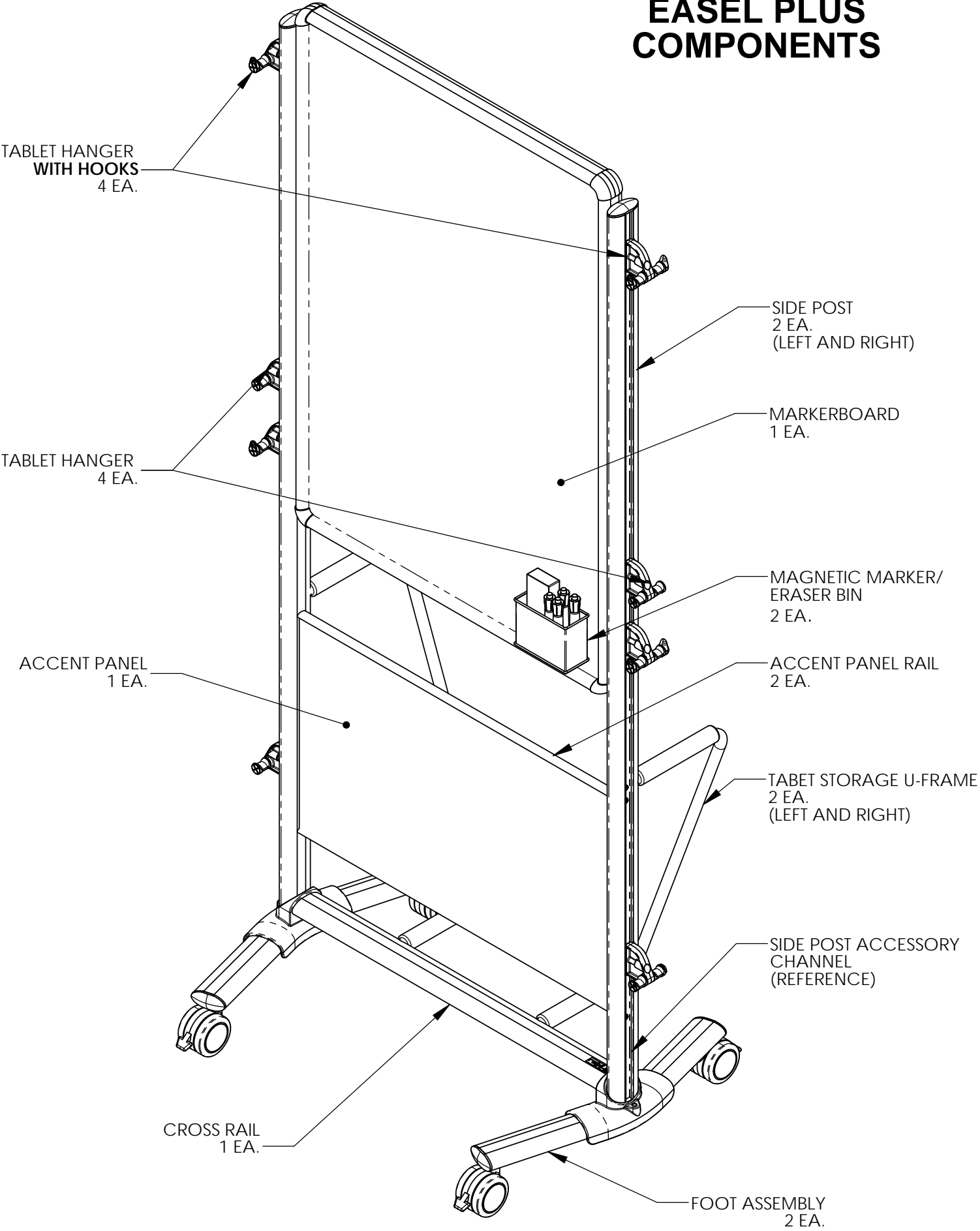
RECOMMENDED TOOLS:

CORDLESS DRILL - 12 VOLT OR BETTER

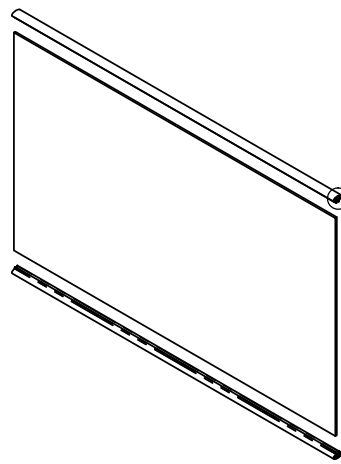
#2 AND #3 PHILLIPS SCREWDRIVER BITS

SCREWDRIVER BIT EXTENDER

EASEL PLUS COMPONENTS

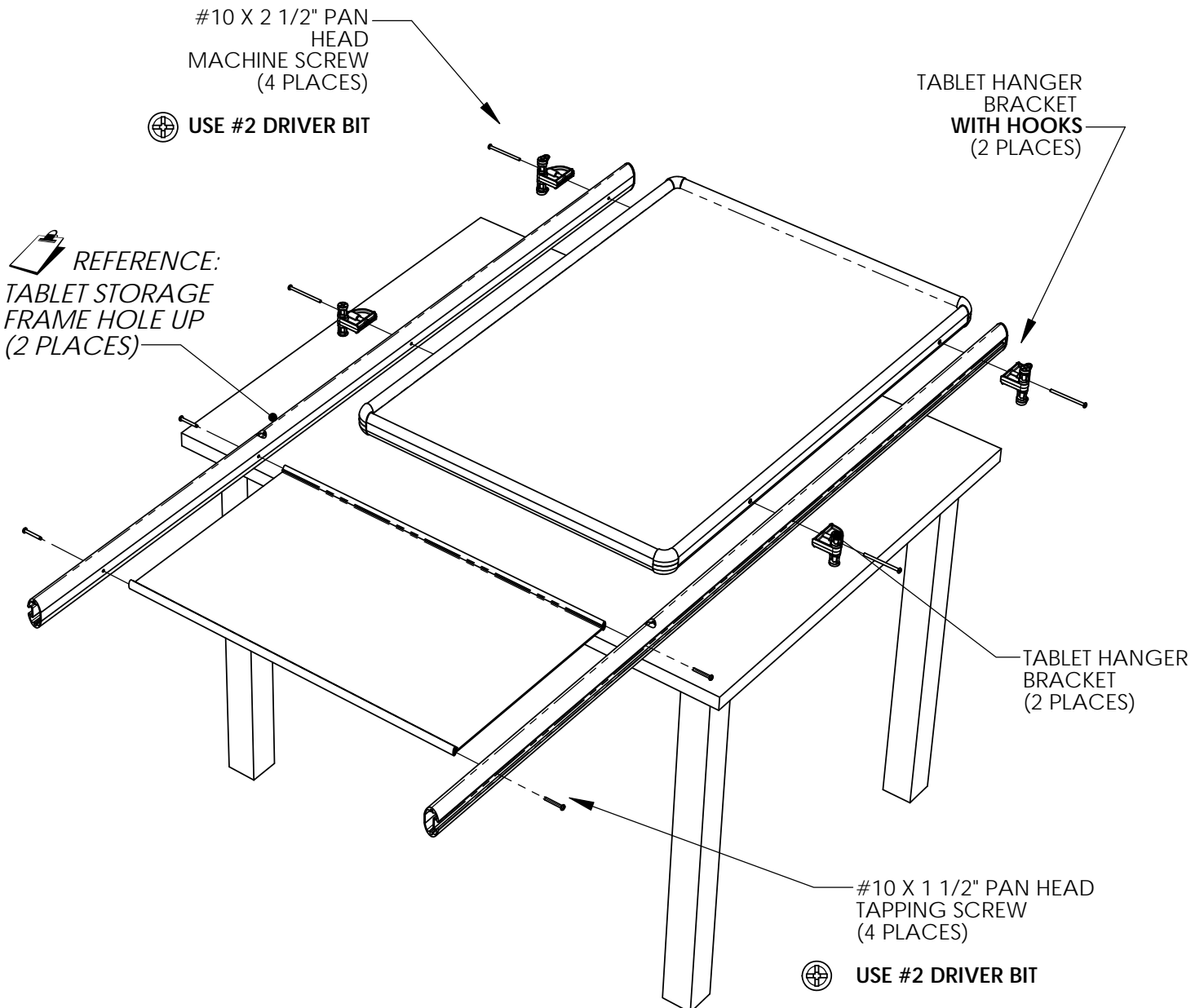


1. Insert the accent panel into the accent panel rails.

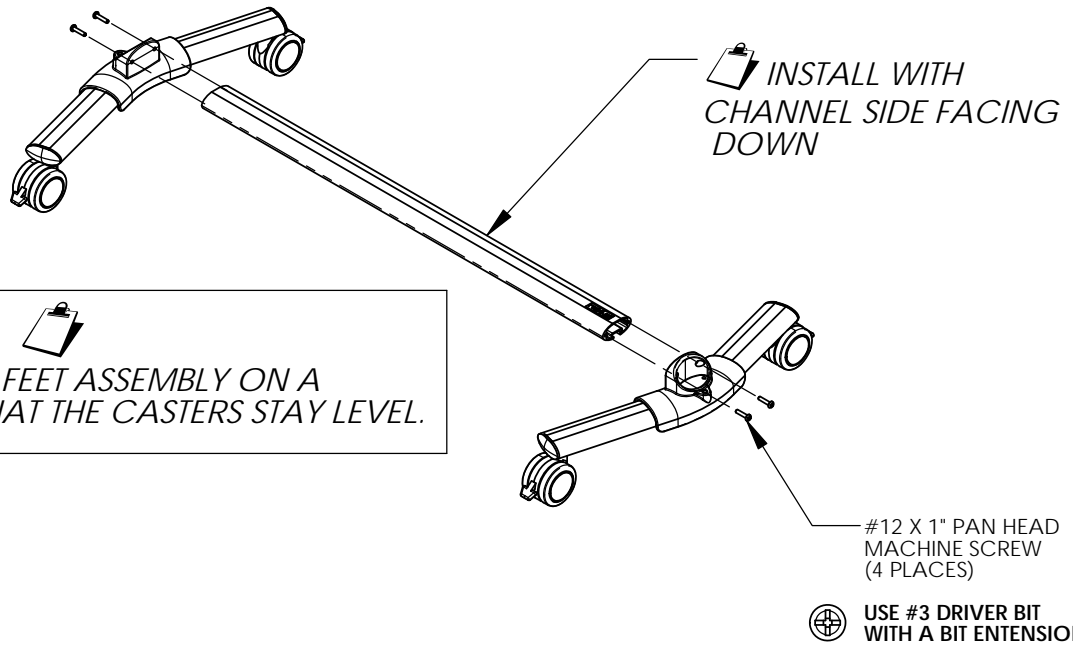


 **REFERENCE:**
SCREW HOLE

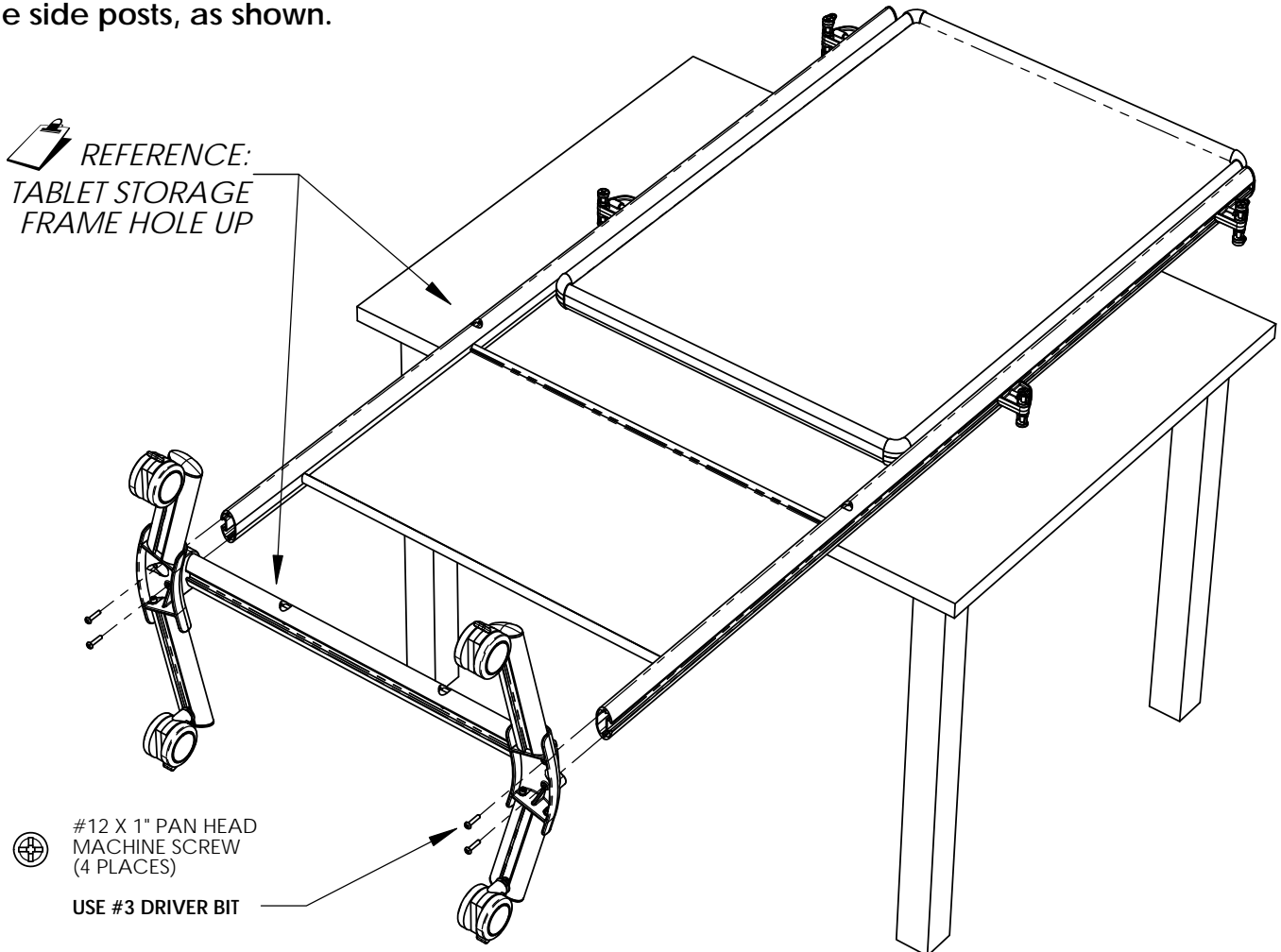
2. Loosely attach the markerboard and the accent panel, with rails, to the side posts as shown.



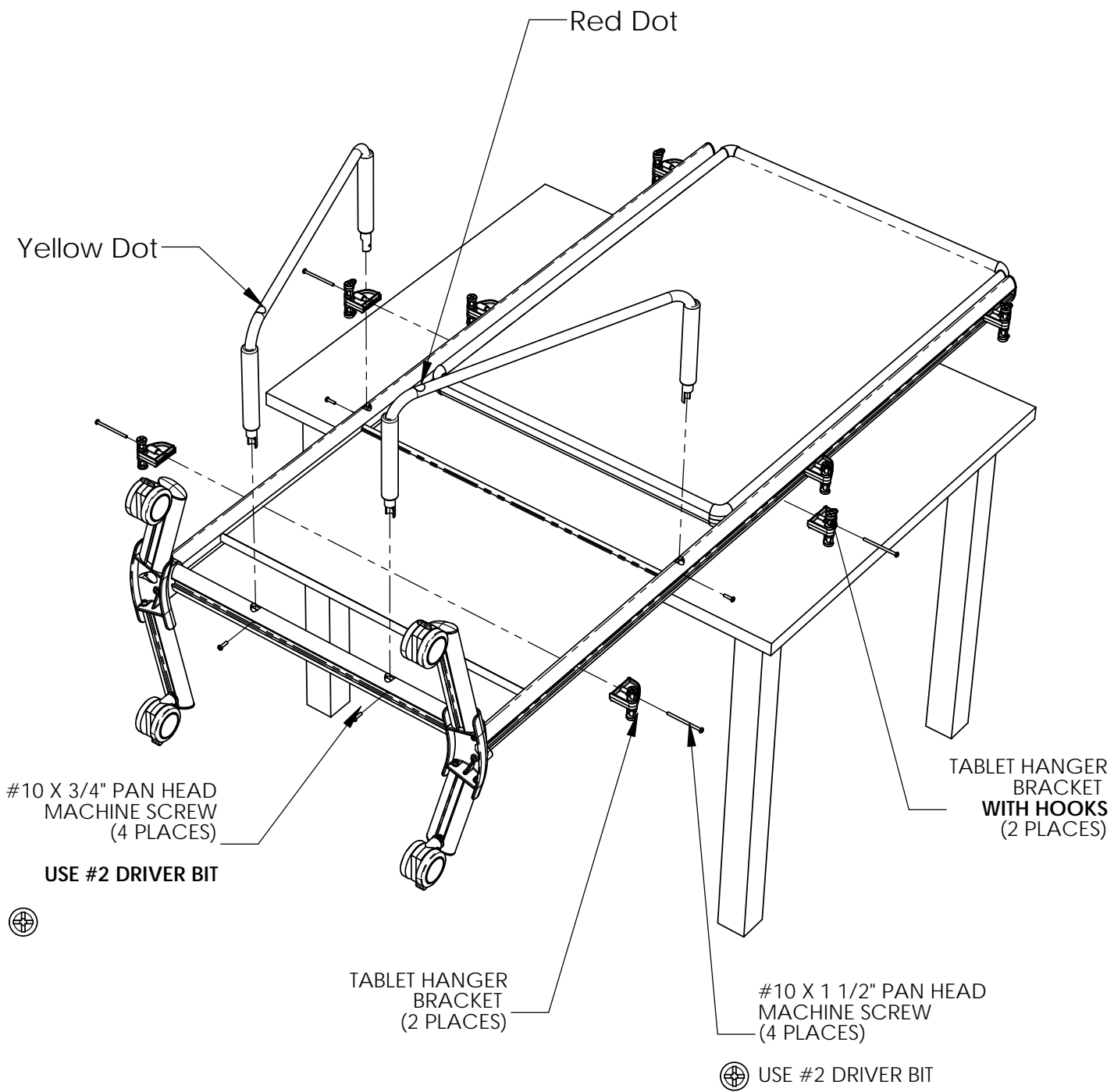
3. Attach the foot assemblies to the cross rail, as shown.



4. Attach the feet assembly to the side posts, as shown.



5. Using the color dot stickers as a guide, attach the tablet storage u-frames to the side posts and the cross rail and secure with the screws shown.



6. Remove the color dot stickers and tighten all screws to complete the assembly.