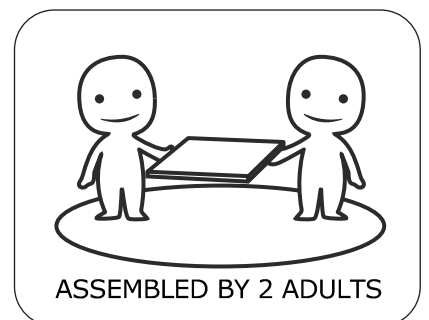
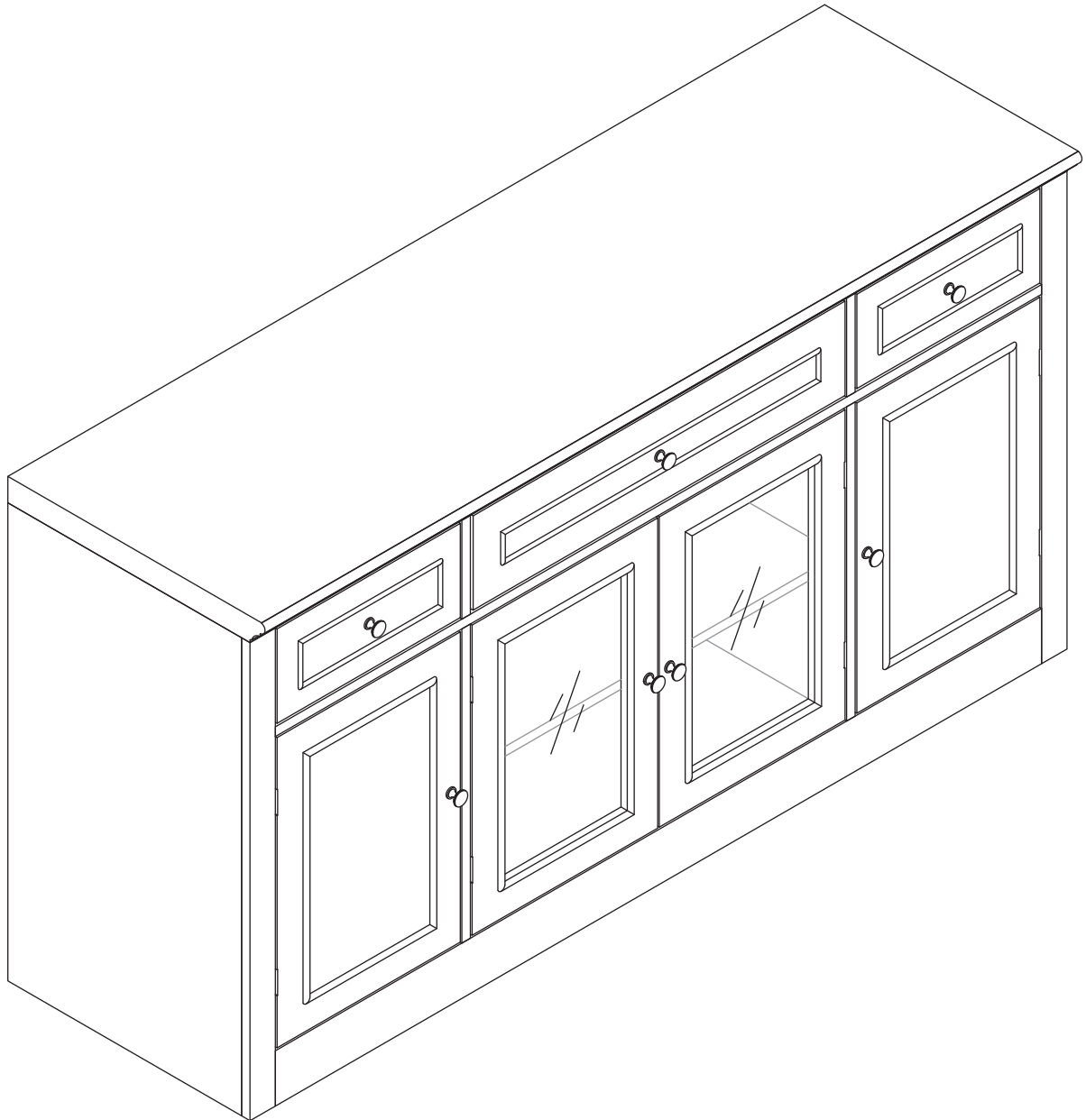


Cabinet





IMPORTANT INFORMATION!

please read the entire manual before starting to assemble and/or using this product. follow the manual thoroughly and keep it for further reference.



AVOID SCRATCHES!

In order to avoid scratching this furniture should be assembled on a soft layer- could be a rug.



IMPROVE EFFICIENCY !

Try to find a partner to install with you, which can speed up the installation efficiency and shorten the time.



ANTI-TOPPLE WARNING !

Overturnd furniture can cause serious or fatal crush injuries. To prevent tipping over, be sure to use the wall attachment, if not included with this product. Please purchase the wall attachment that fit your wall. If unsure, seek professional advice. Please read and follow each step of the instructions carefully.

IMPORTANT !

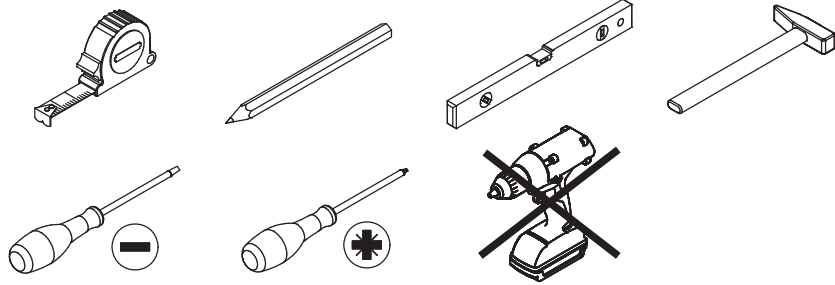
It is important that any product which is assembled using any kind of screw is re-tightened 2 weeks after assembly, and once every 3 months - in order to assure stability through-out the lifespan of the product.

For regular maintenance and cleaning of the product, for the frame, please use a rag dipped in neutral detergent to fully wipe it, and then dry it with a clean rag. For glass materials, wipe with a rag dampened with water glass cleaner, and then dry with a dry rag.

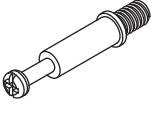


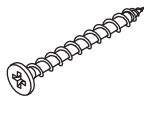





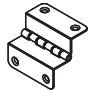


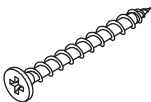




Do not use an electric screwdriver, and do not use too much force when installing, because the board is easy to break.

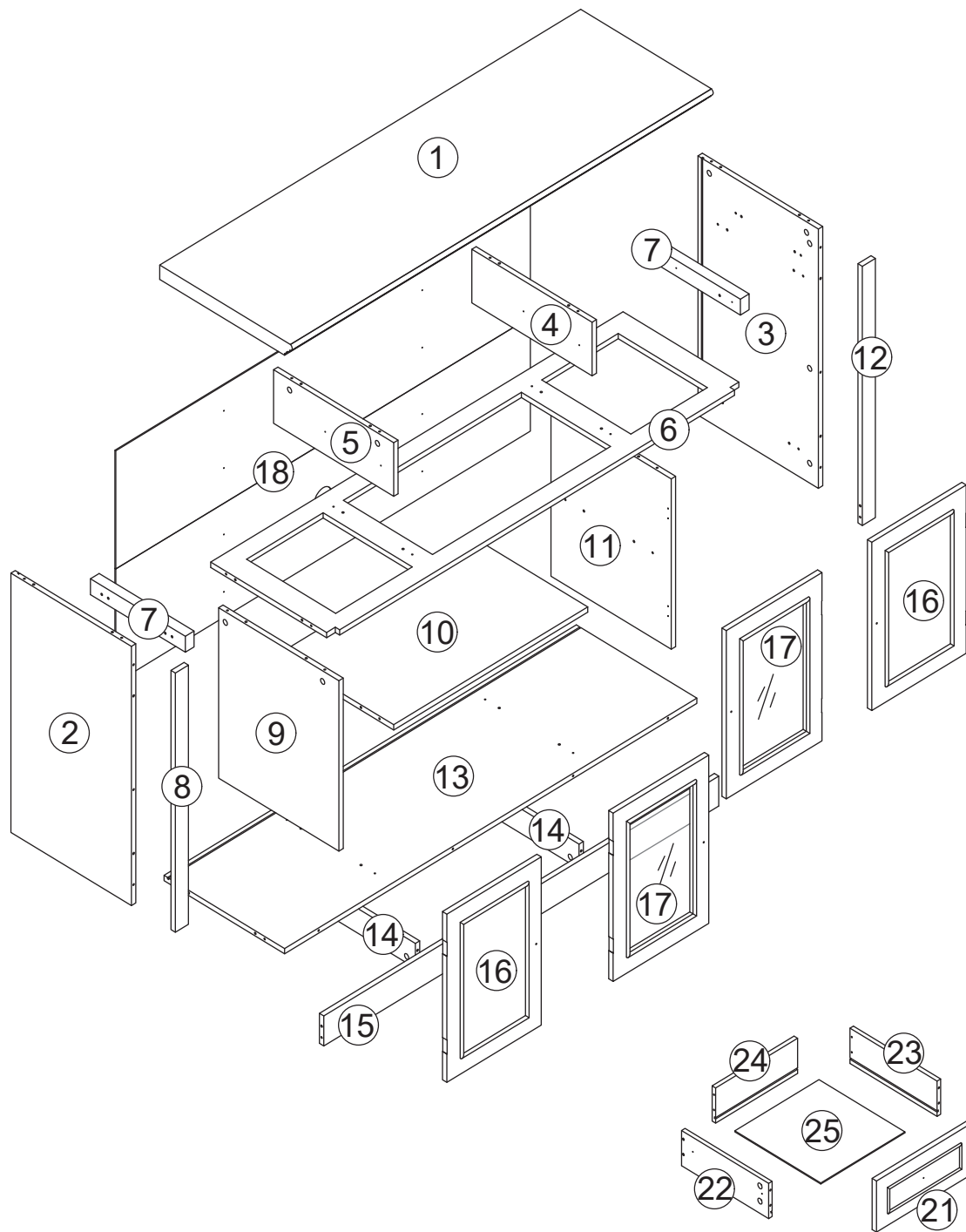


Please prepare the following tools



When installing, please carefully confirm whether each screw corresponds to the manual, accessories with similar shapes can be distinguished by size

| | | | | |
|--|---|---|---|---|
| A x 55  Ø6 x 35 mm | B x 55  | C x 40  | D x 4  Ø4 x 40 mm | E x 8  Ø3 x 12 mm |
| F x 3  | G x 58  Ø3 x 14 mm | H x 4  | I x 4  | J x 4  |
| K x 6  Ø4 x 16 mm | L x 6  | M x 13  Ø4 x 30 mm | N x 6  | O x 24  Ø3.5 x 12 mm |
| P x 4  Ø6 x 40 mm | Q x 16  | | | |



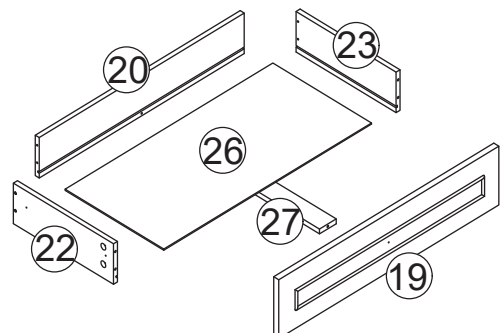
⚠ WARNING



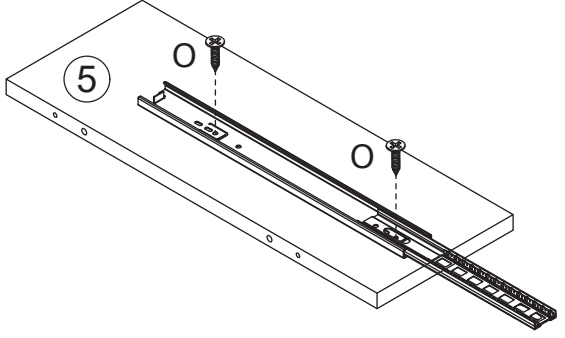
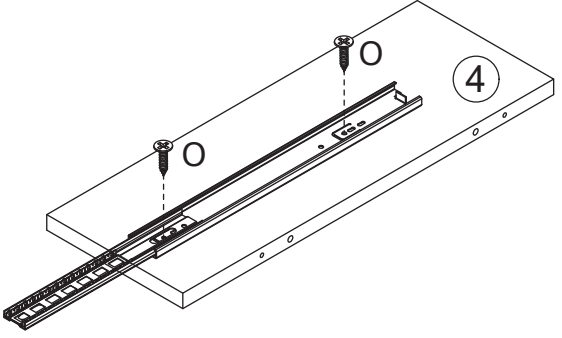
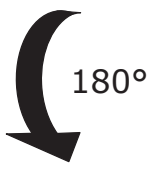
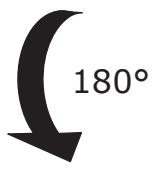
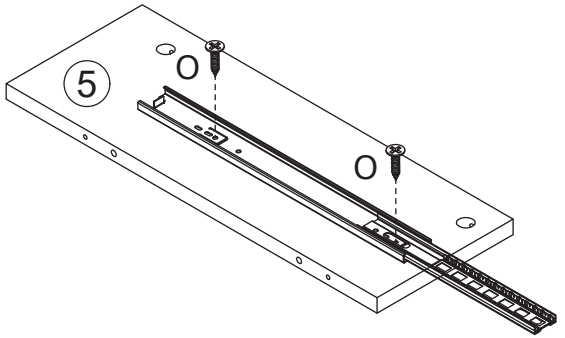
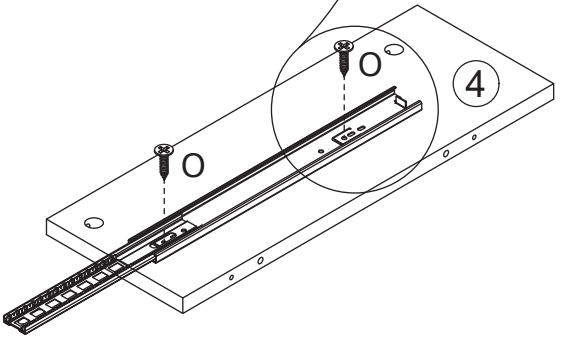
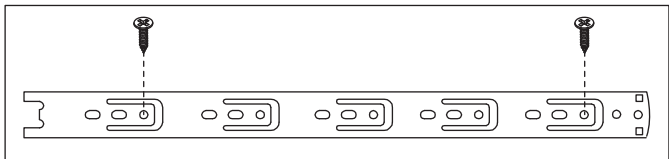
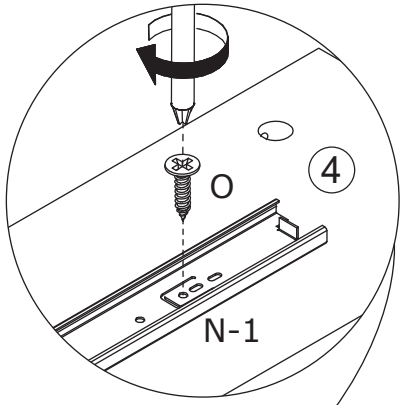
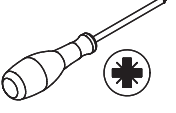
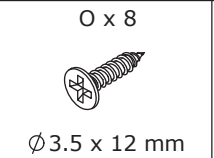
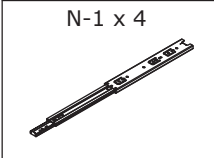
Children have died from furniture tipover. To reduce the risk of furniture tipover:

- ALWAYS install tipover restraint provided.
- NEVER put a TV on this product.
- NEVER allow children to stand, climb or hang on drawers, doors, or shelves.
- NEVER open more than one drawer at a time.
- Place heaviest items in the lowest drawers.

*This is a permanent label.
Do not remove!*

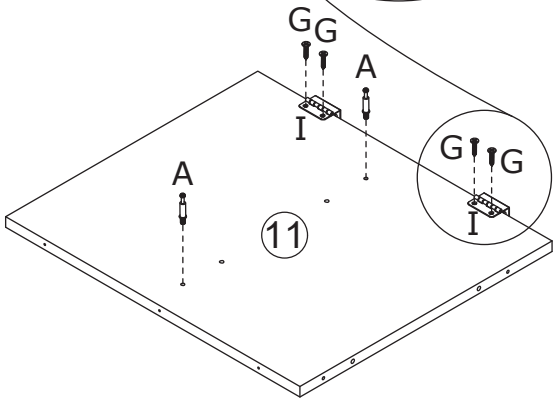
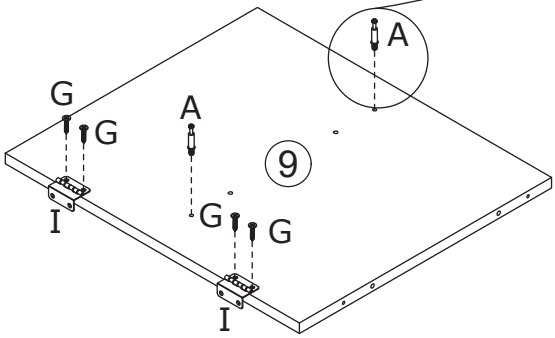
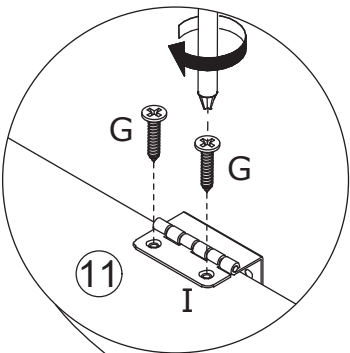
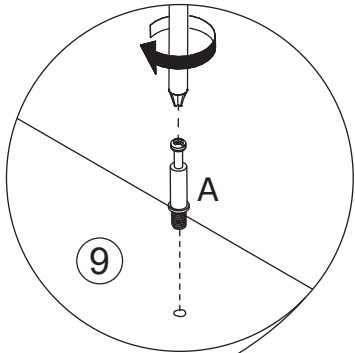
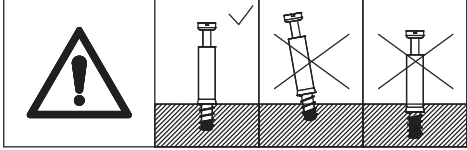
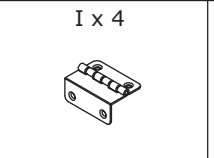
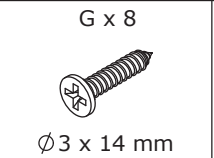
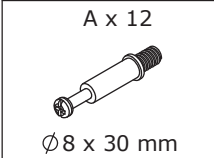


1

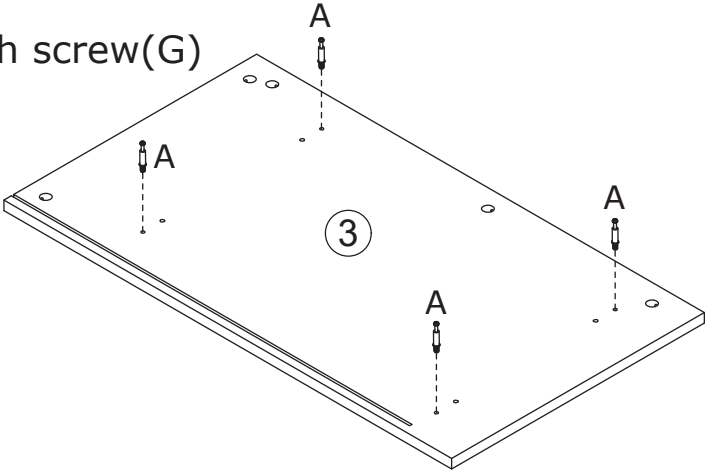
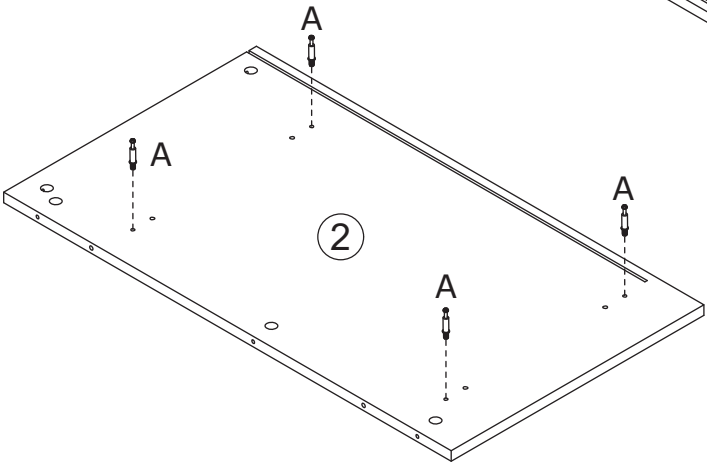


Fix slide rail(N-1) to board 4 and 5 respectively with screw(O) as shown.
Flip the two boards 180°, fix slide rail(N-1) as well.

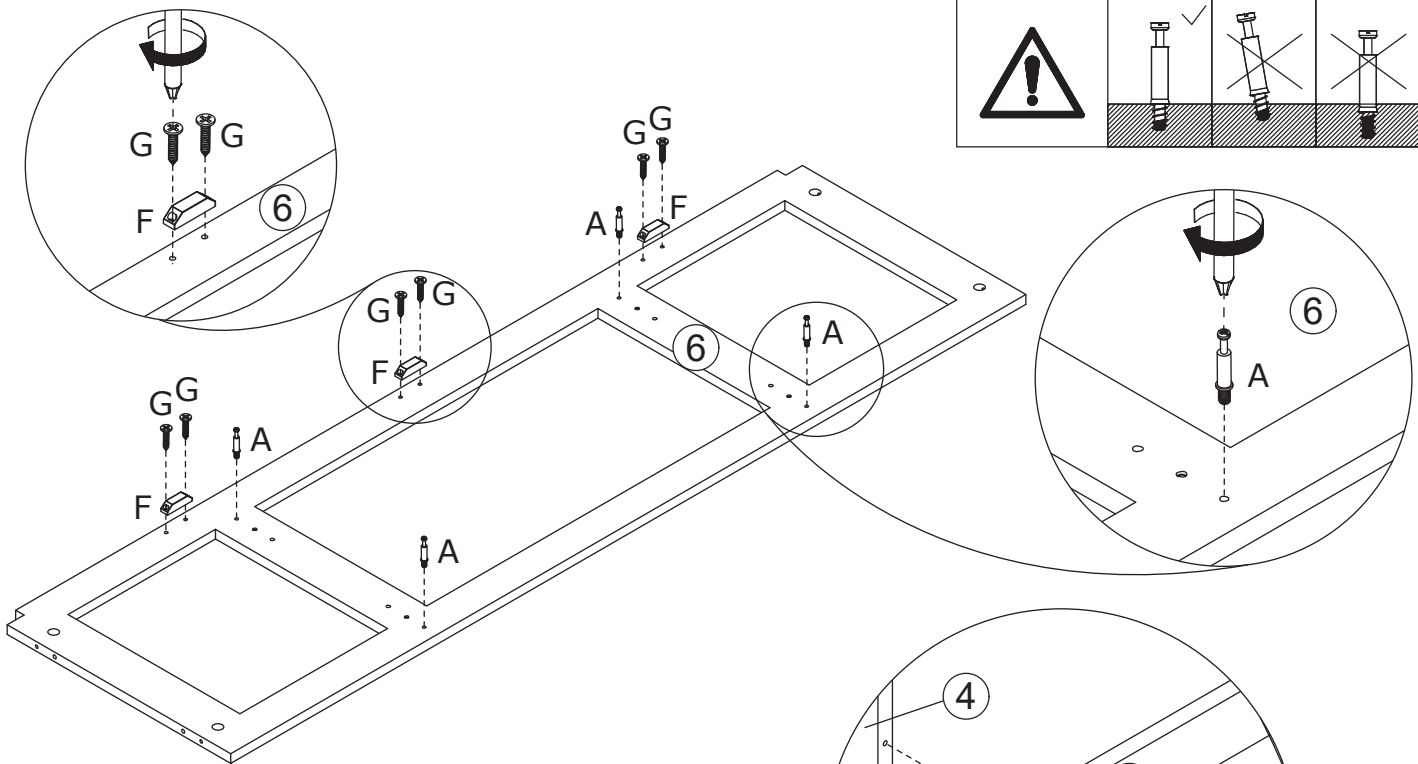
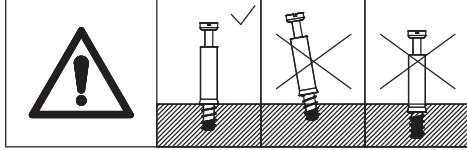
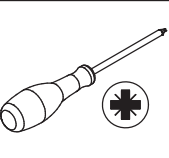
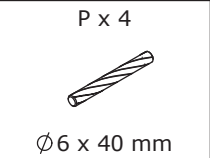
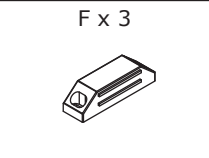
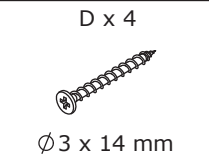
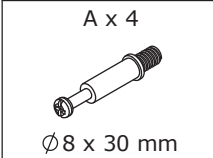
2



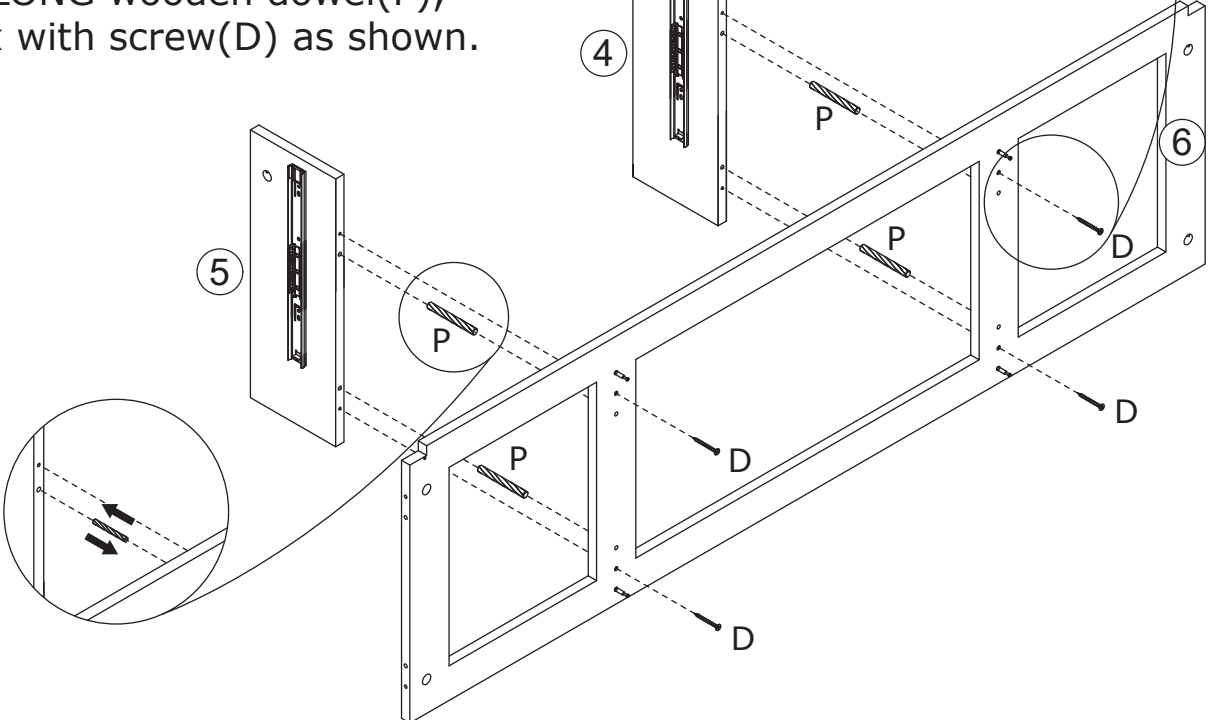
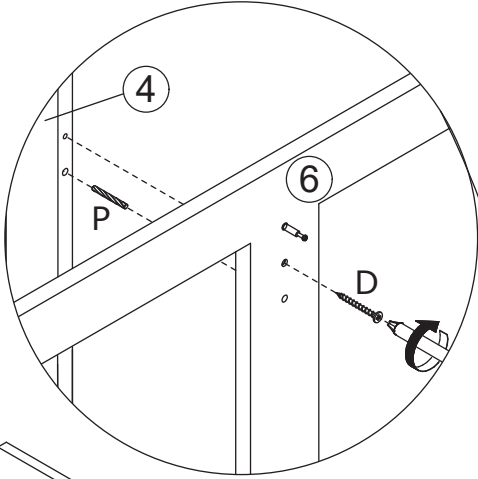
Screw eccentric rod(A) into board 2, 3, 9 and 11 with a screwdriver as shown.
Fix hinge(I) to board 9 and 11 with screw(G) as shown.



3



Screw eccentric rod(A) into board 6 with a screwdriver as shown.
Fix part(F) to board 6 with screw(G) as shown.
Attach board 4 and 5 to board 6 using LONG wooden dowel(P), and fix with screw(D) as shown.

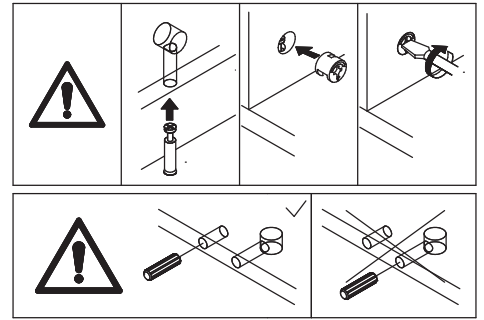
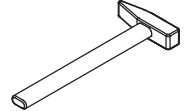
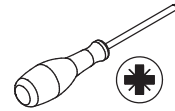
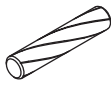


4

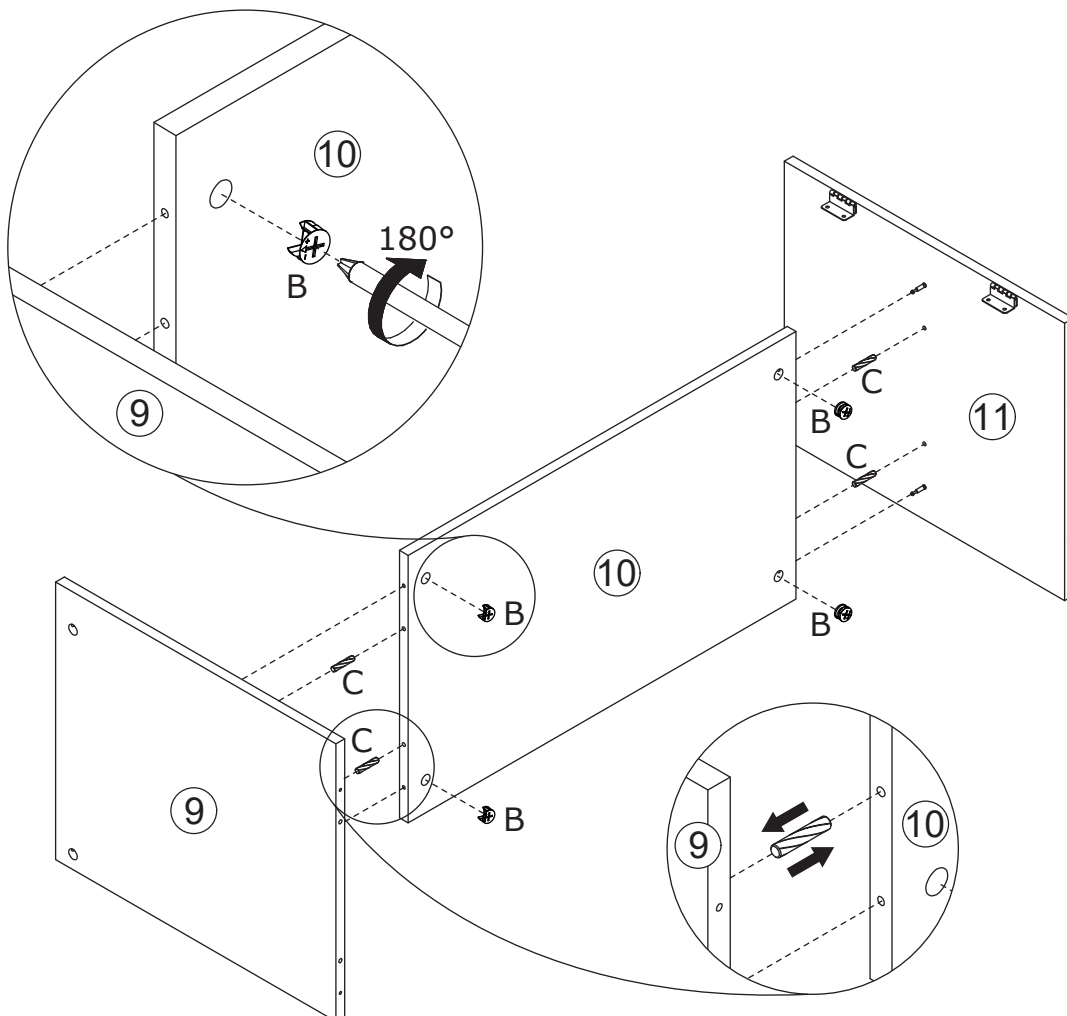
B x 4



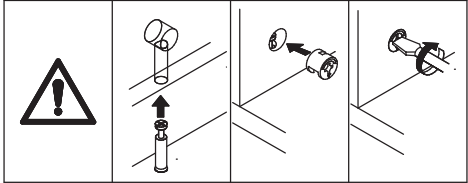
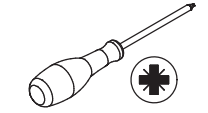
C x 4



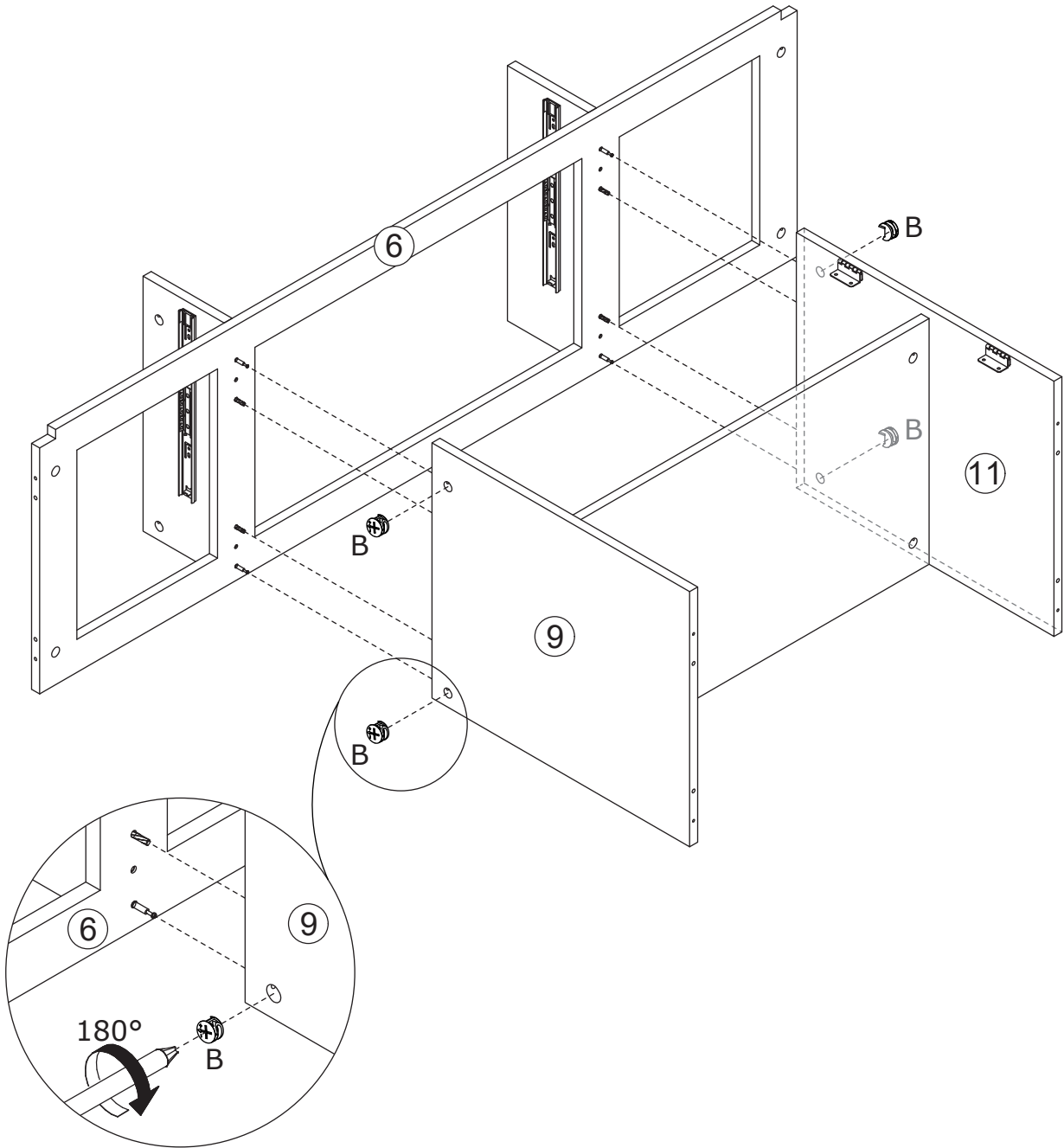
Connect board 10 to board 9 and 11 using wooden dowel(C), add cam lock(B) into board 10 and turn clockwise to tighten as shown.



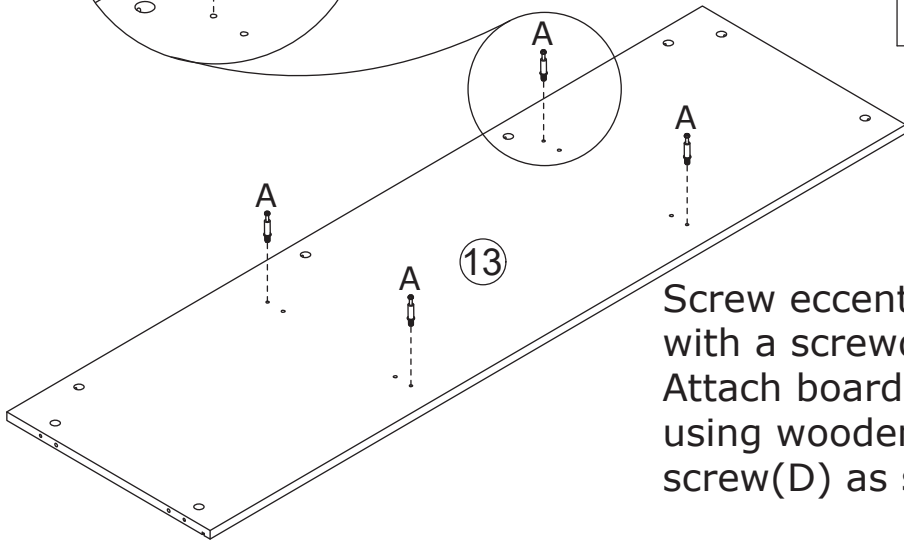
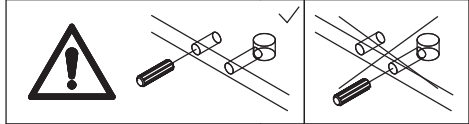
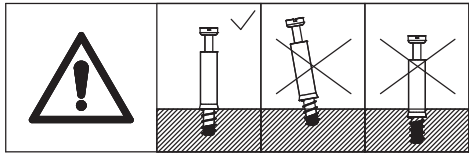
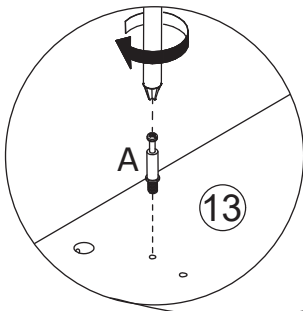
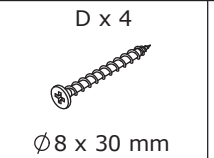
5



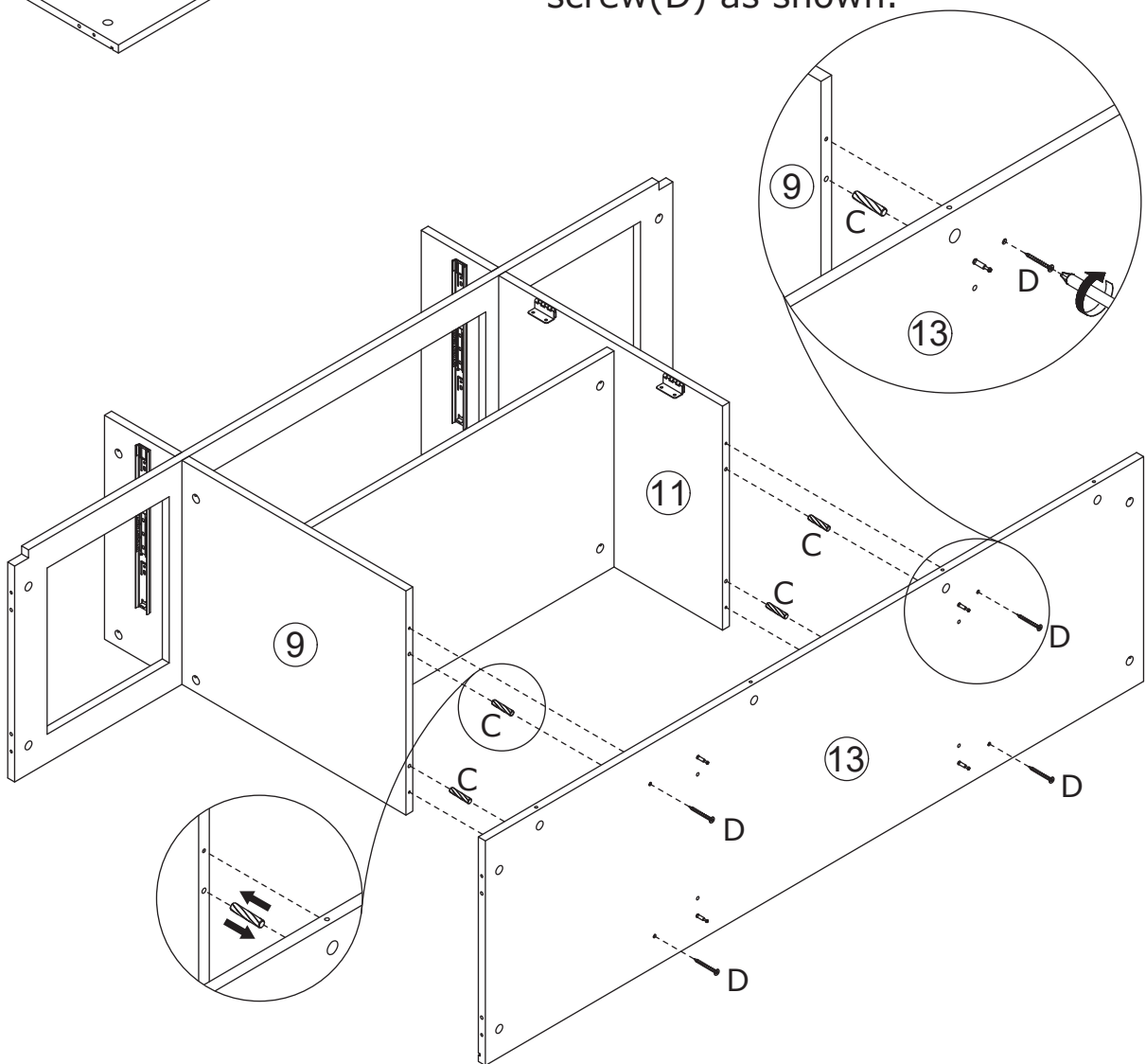
Connect board 6 to board 9 and 11, add cam lock(B) into board 9,11 and turn clockwise to tighten as shown.



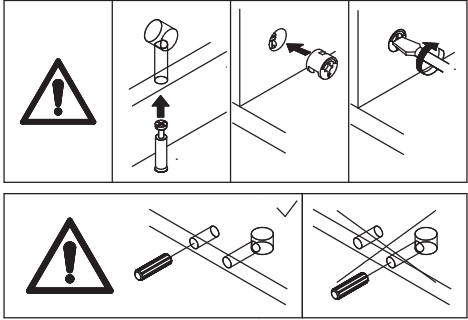
6



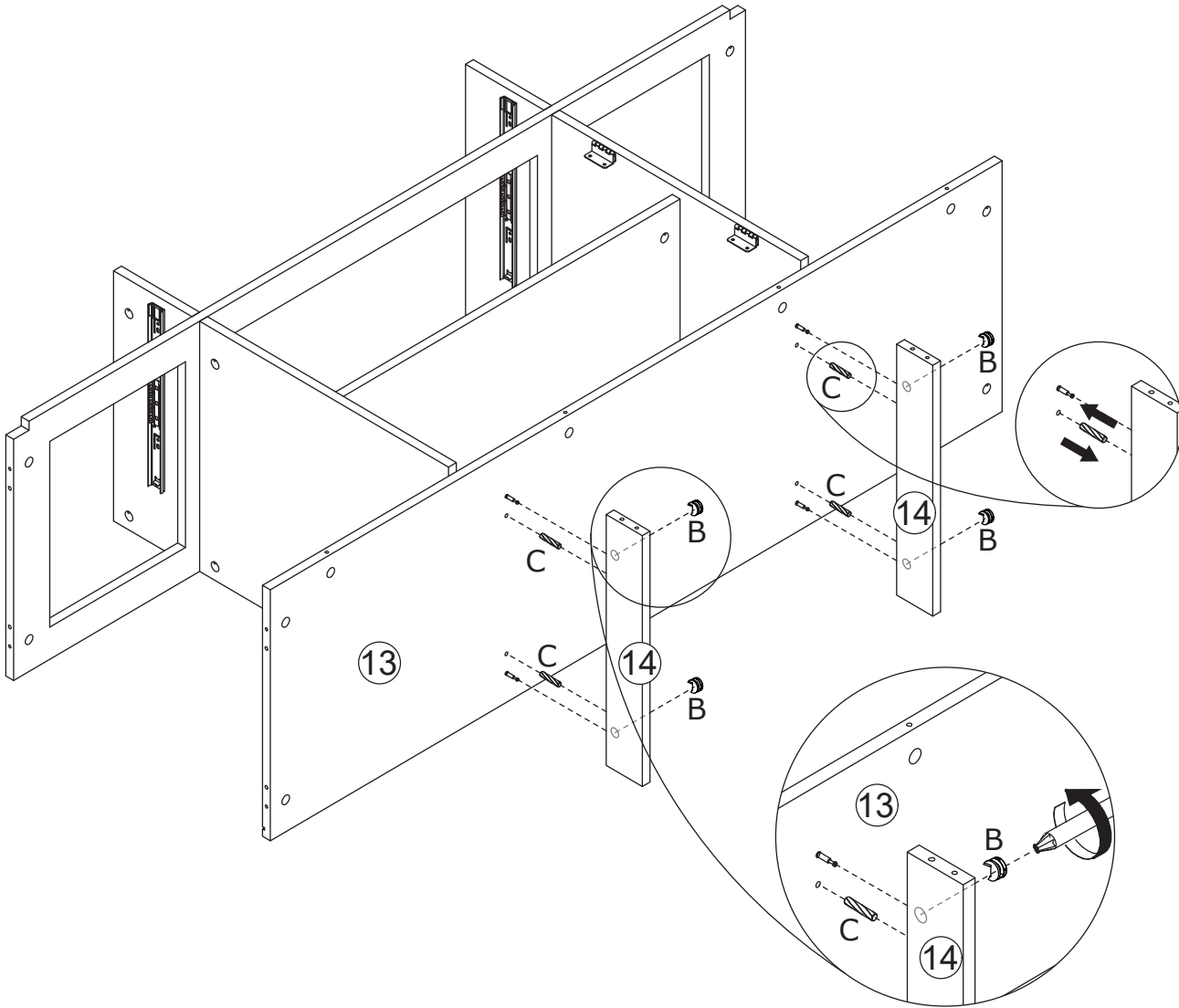
Screw eccentric rod(A) into board 13 with a screwdriver as shown. Attach board 13 to board 9 and 11 using wooden dowel(C), and fix with screw(D) as shown.



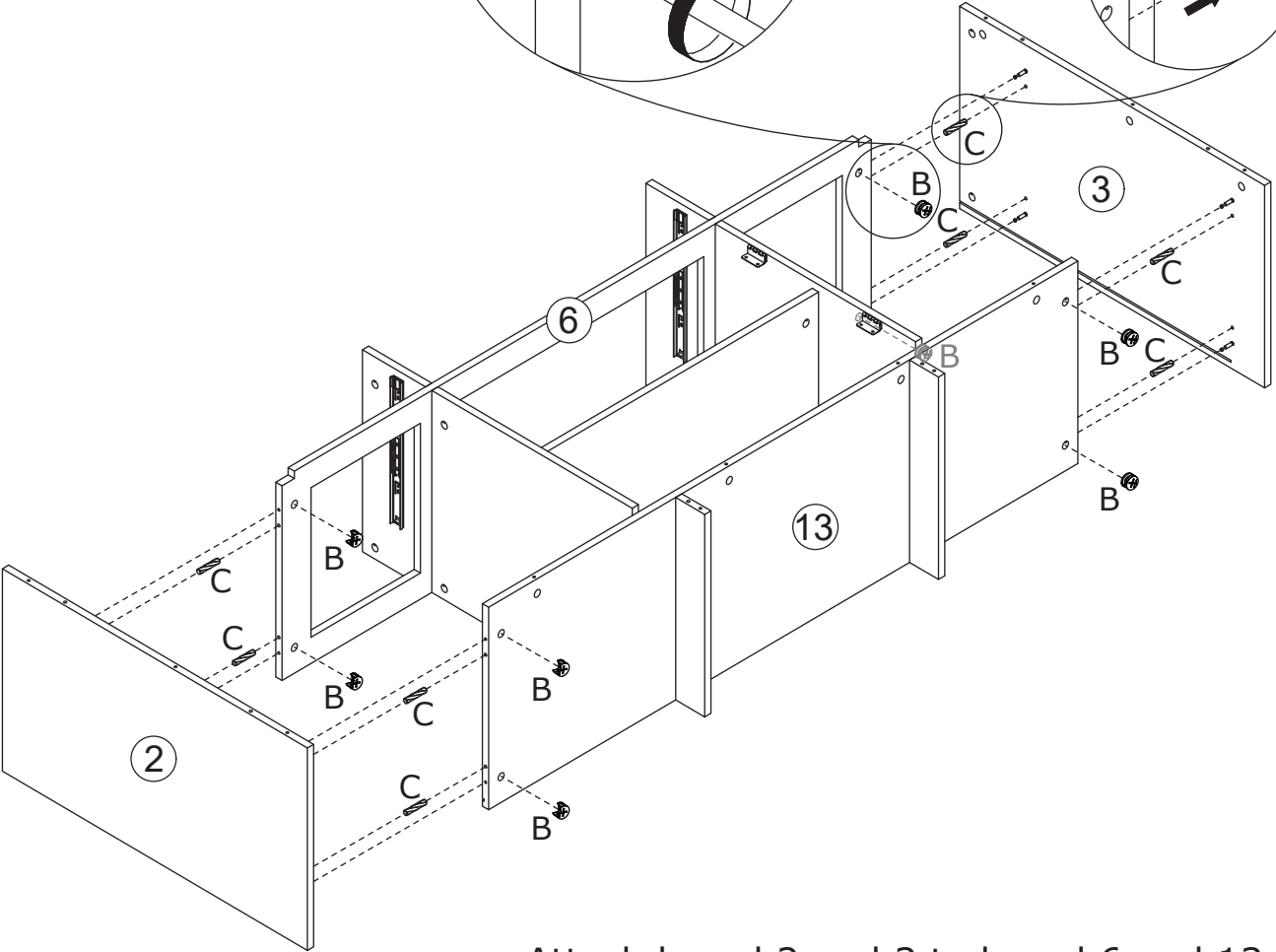
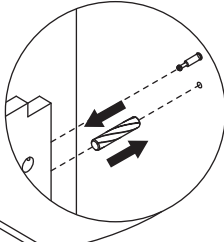
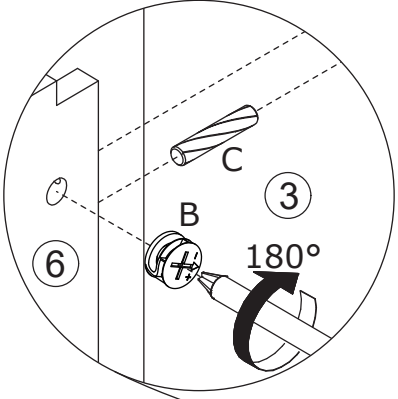
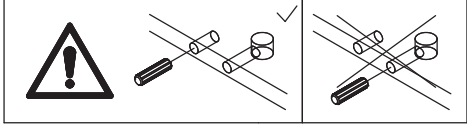
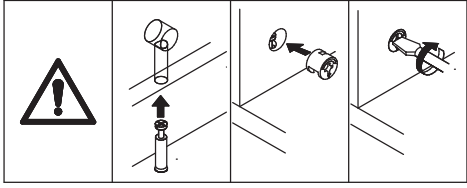
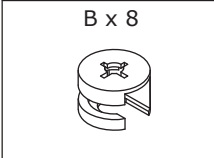
7



Attach board 14 to board 13 using wooden dowel(C) at first, add cam lock(B) into board 14 and turn clockwise to tighten as shown.

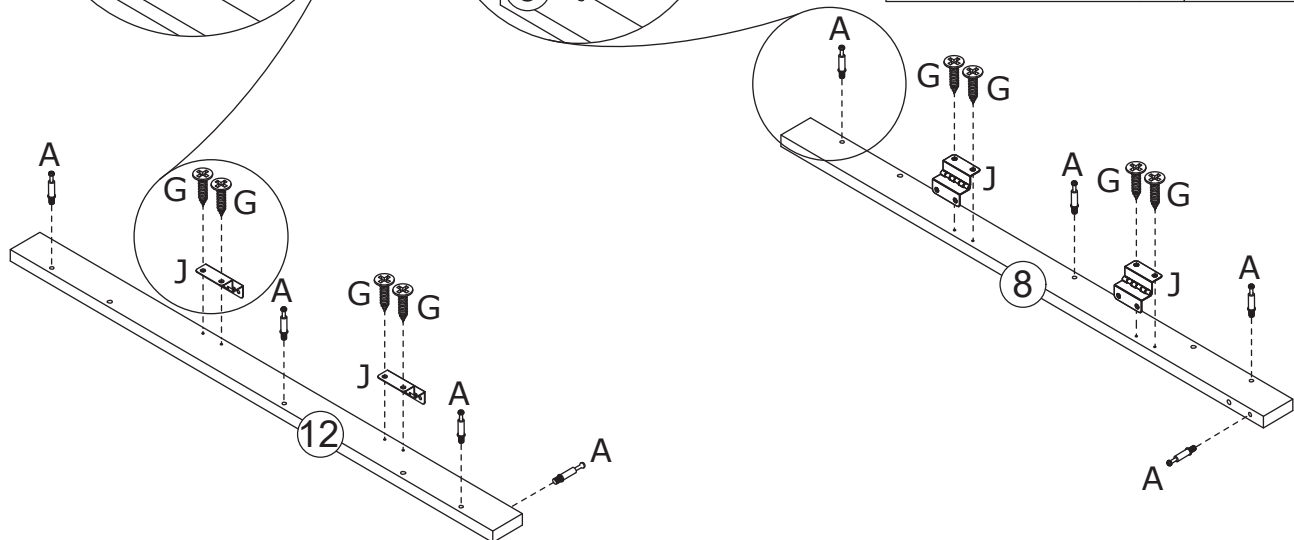
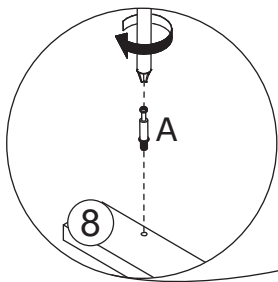
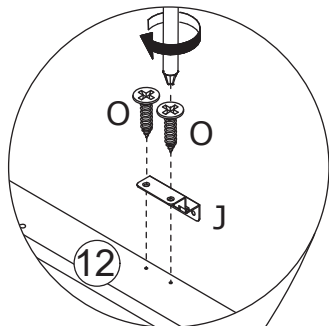
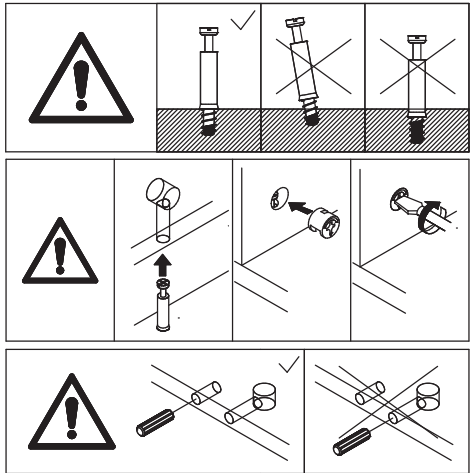
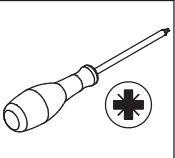
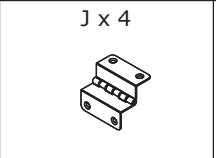
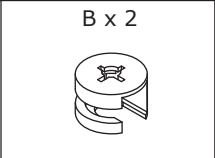


8

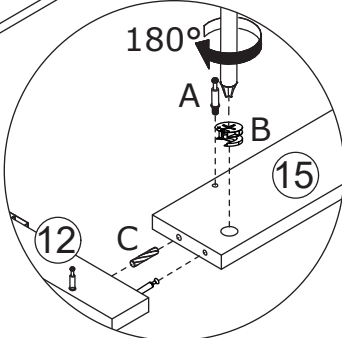
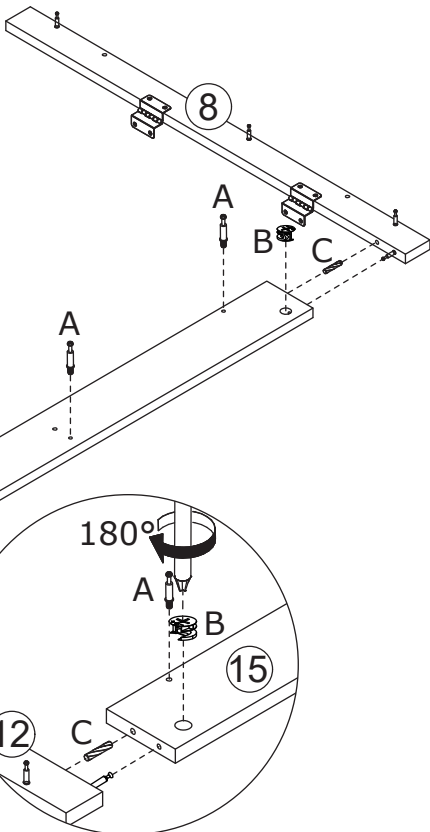


Attach board 2 and 3 to board 6 and 13 using wooden dowel(C) at first, add cam lock(B) into board 6,13 and turn clockwise to tighten as shown.

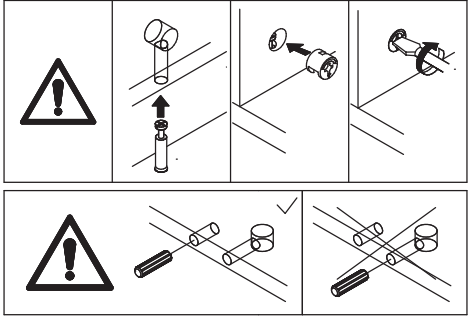
9



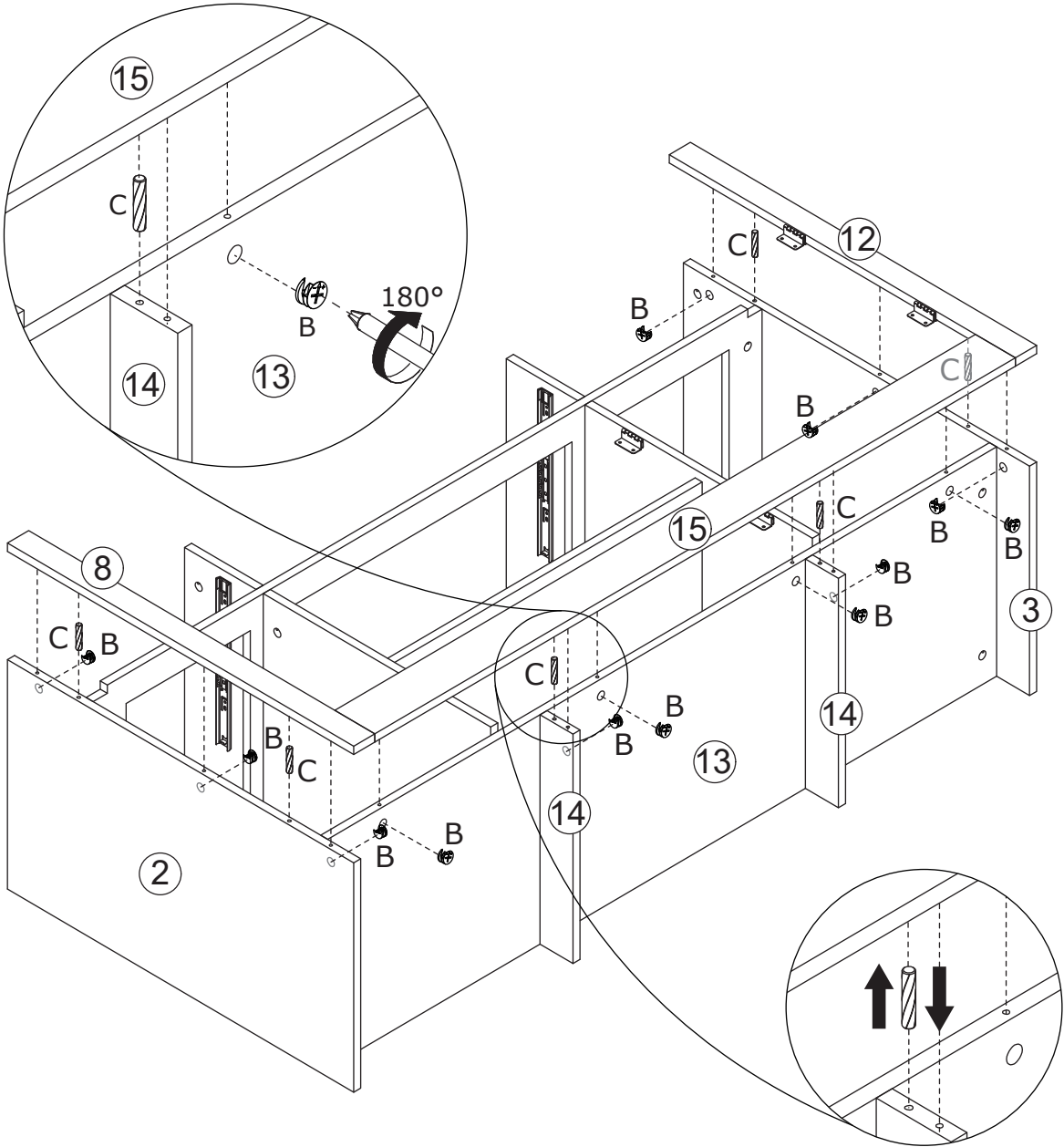
Screw eccentric rod(A) into board 8, 12 and 15 with a screwdriver as shown. Connect board 12 and 8 to board 15 using wooden dowel(C), add cam lock(B) into board 15 and turn clockwise to tighten as shown. Fix hinge(J) to board 12 and 8 with screw(G) as shown.



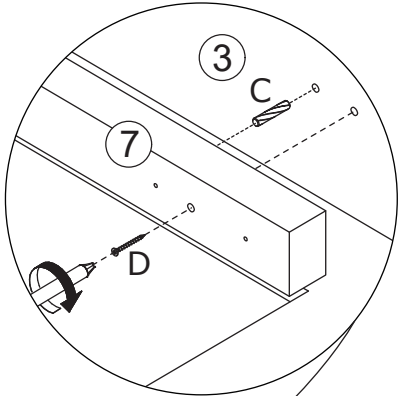
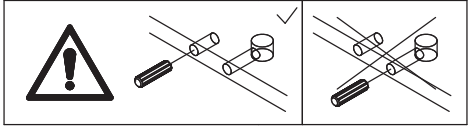
10



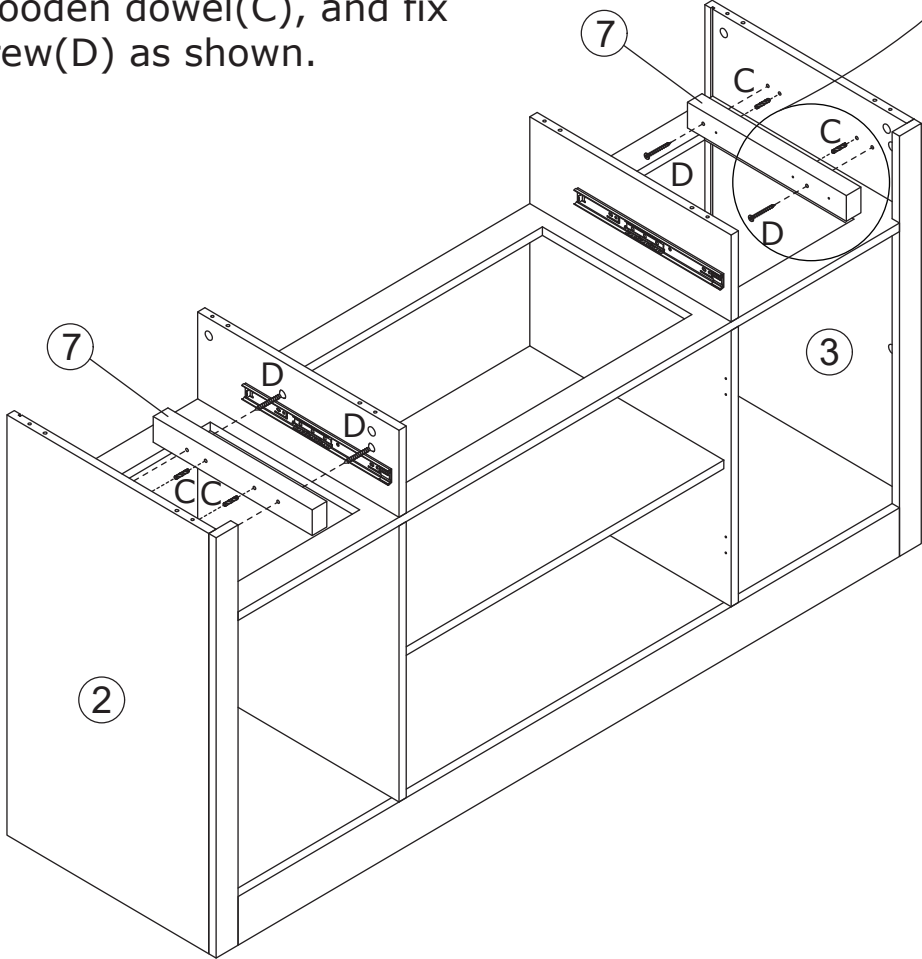
Attach the assembled part to board 2, 3, 13 and 14 using wooden dowel(C), add cam lock(B) and turn clockwise to tighten as shown.



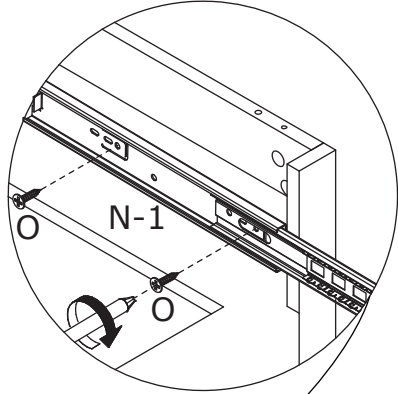
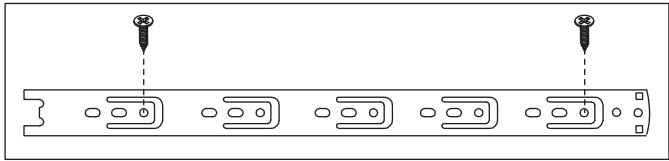
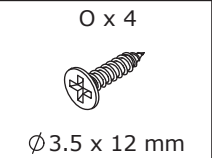
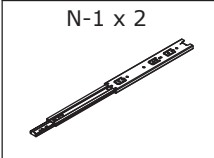
11



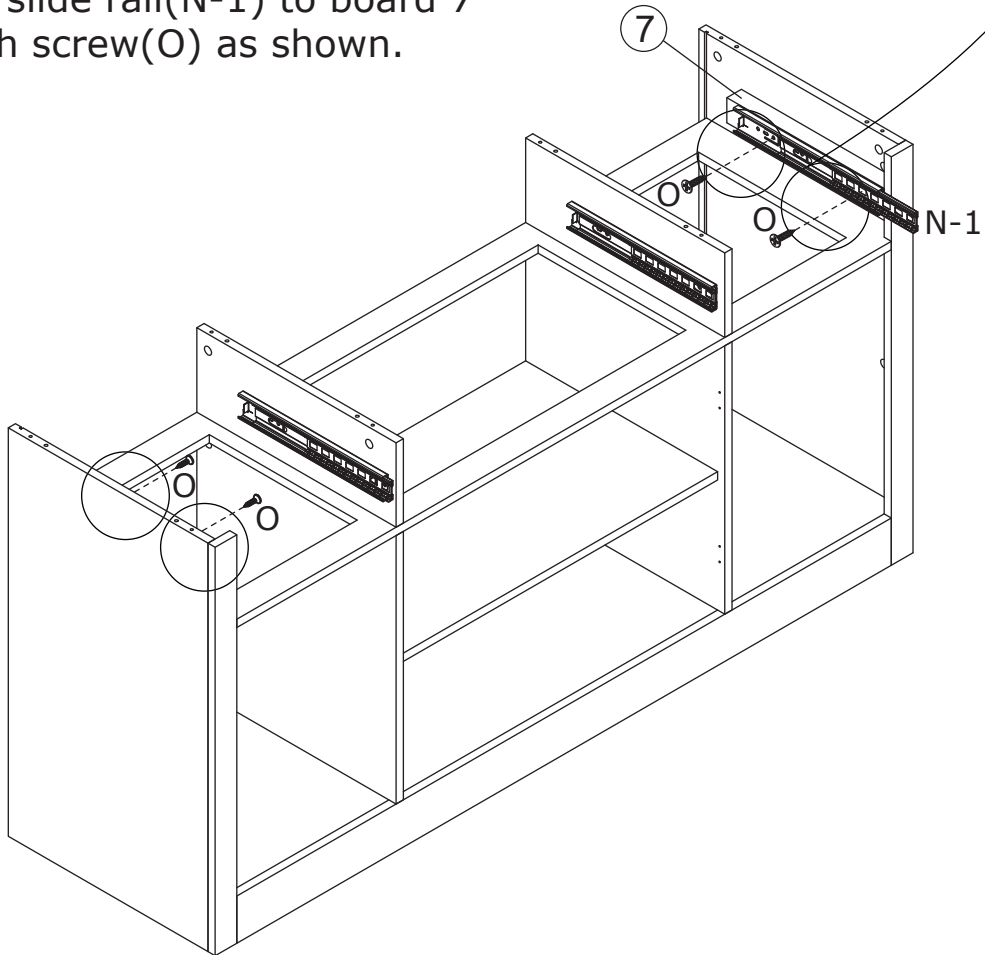
Attach board 7 to board 2 and 3 using wooden dowel(C), and fix with screw(D) as shown.



12



Fix slide rail(N-1) to board 7 with screw(O) as shown.

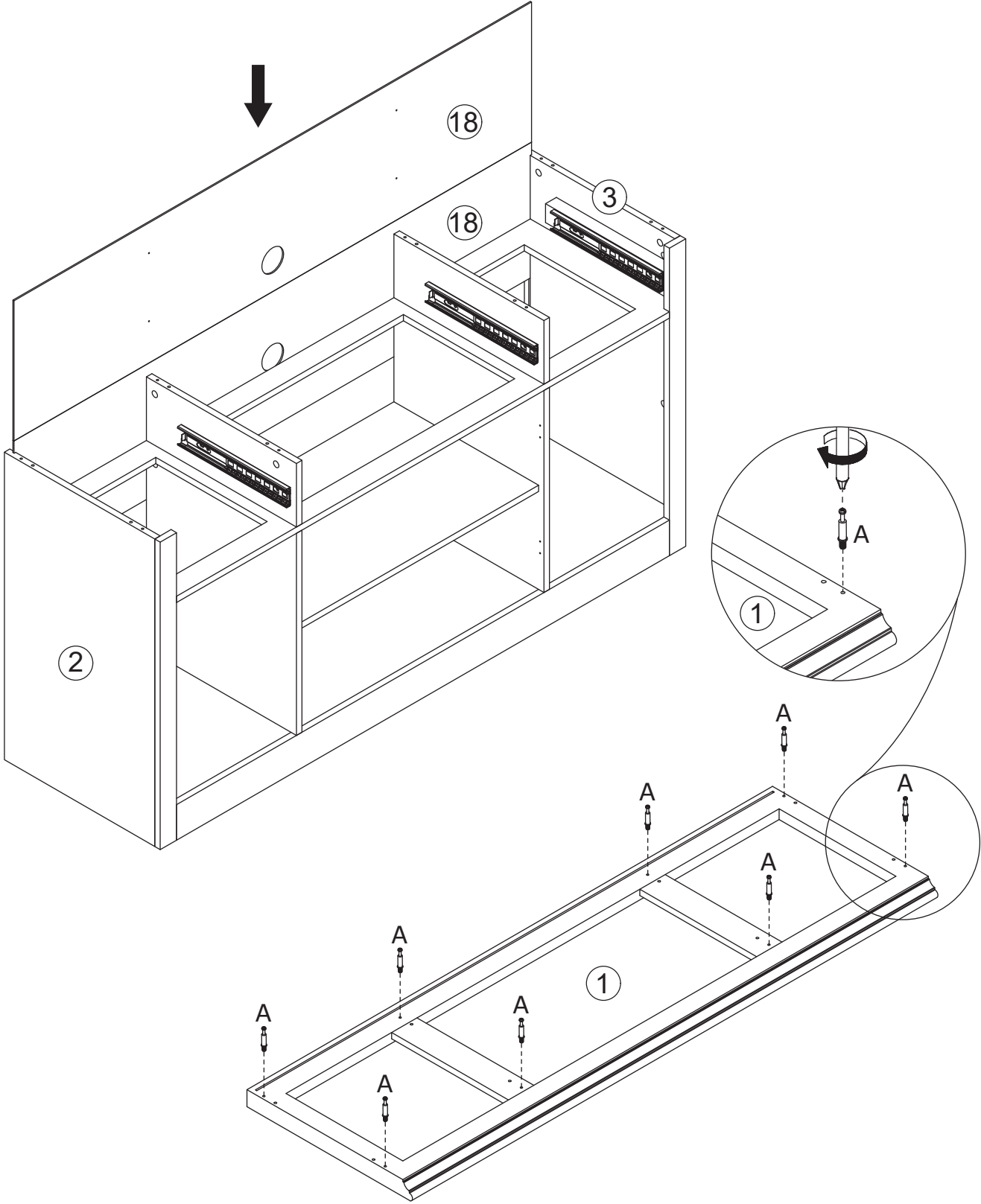


13

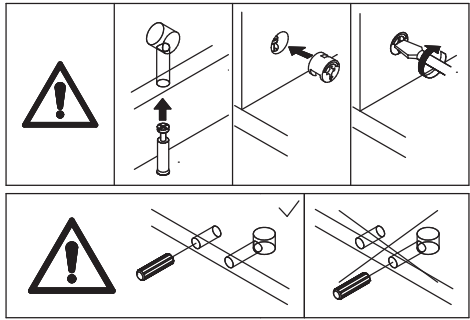


Insert back board 18 along available grooves as shown.

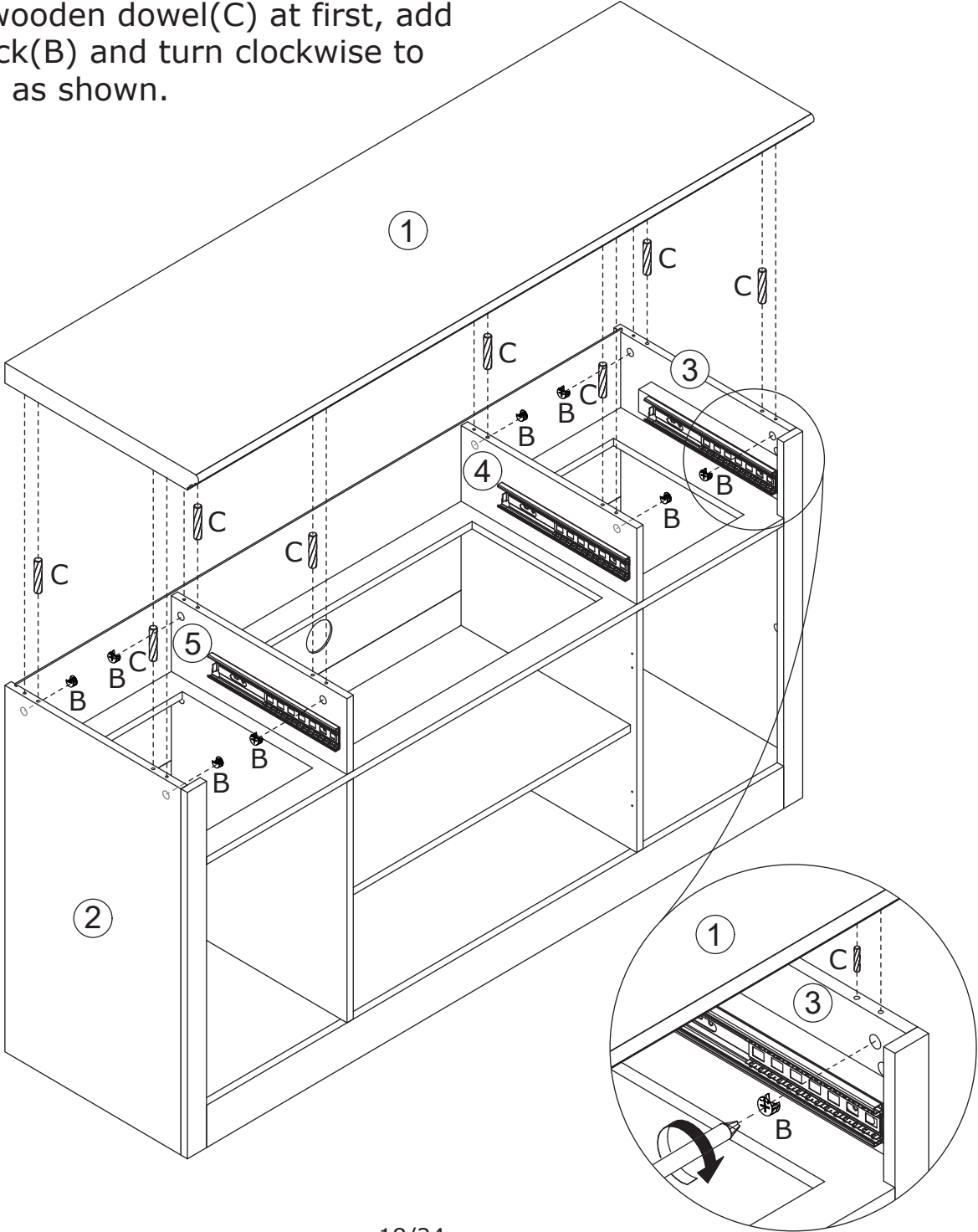
Screw eccentric rod(A) into board 1 with a screwdriver as shown.






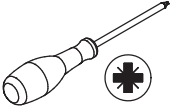
14



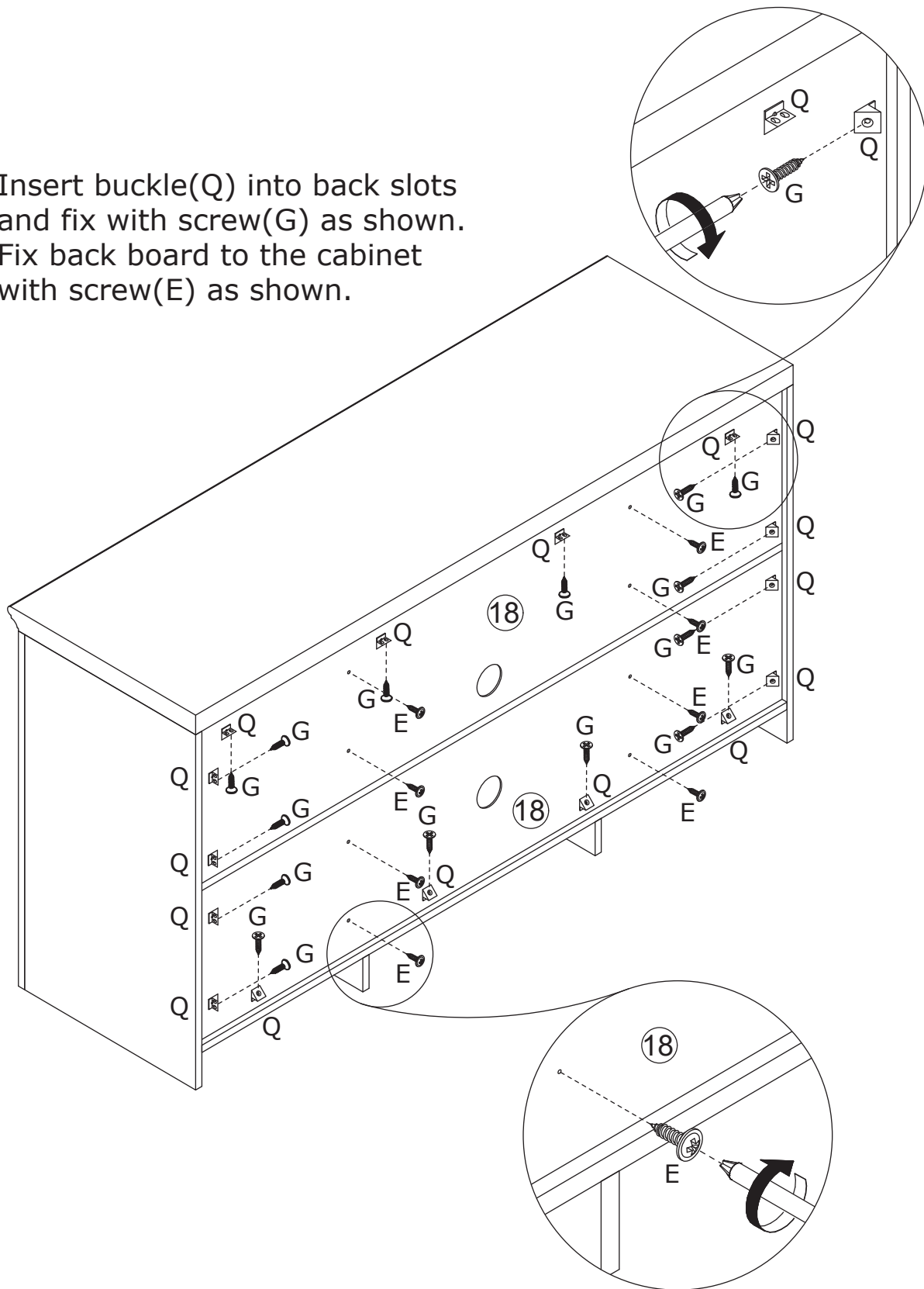
Cover board 1 to board 2, 5, 4 and 3 using wooden dowel(C) at first, add cam lock(B) and turn clockwise to tighten as shown.







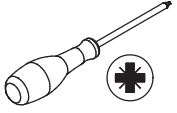
15

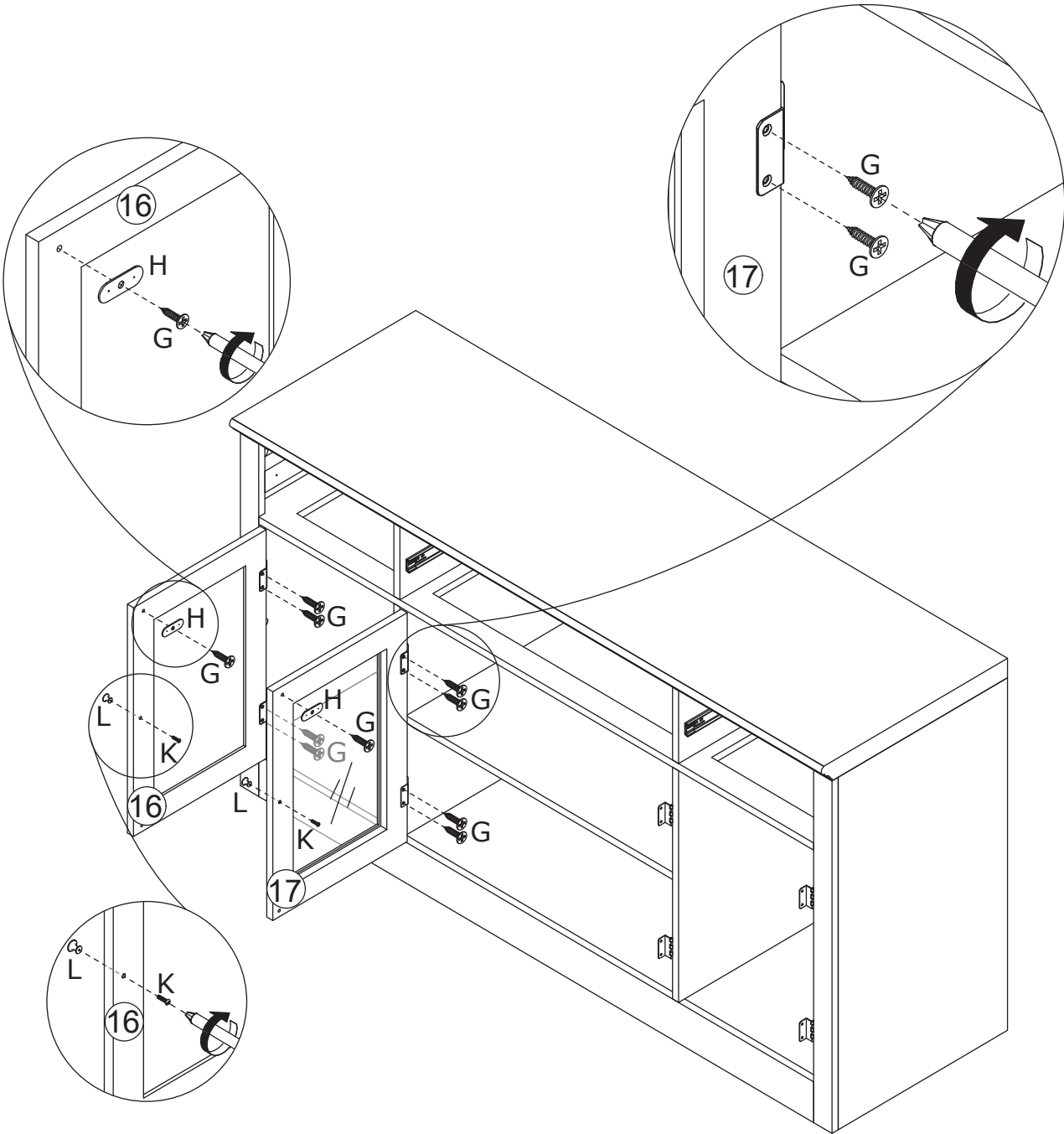
| | | | |
|--|---|---|---|
| <p>E x 8</p>  <p>Ø3 x 12 mm</p> | <p>G x 16</p>  <p>Ø3 x 14 mm</p> | <p>Q x 16</p>  |  |
|--|---|---|---|

Insert buckle(Q) into back slots and fix with screw(G) as shown. Fix back board to the cabinet with screw(E) as shown.





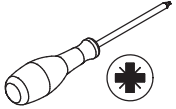
16

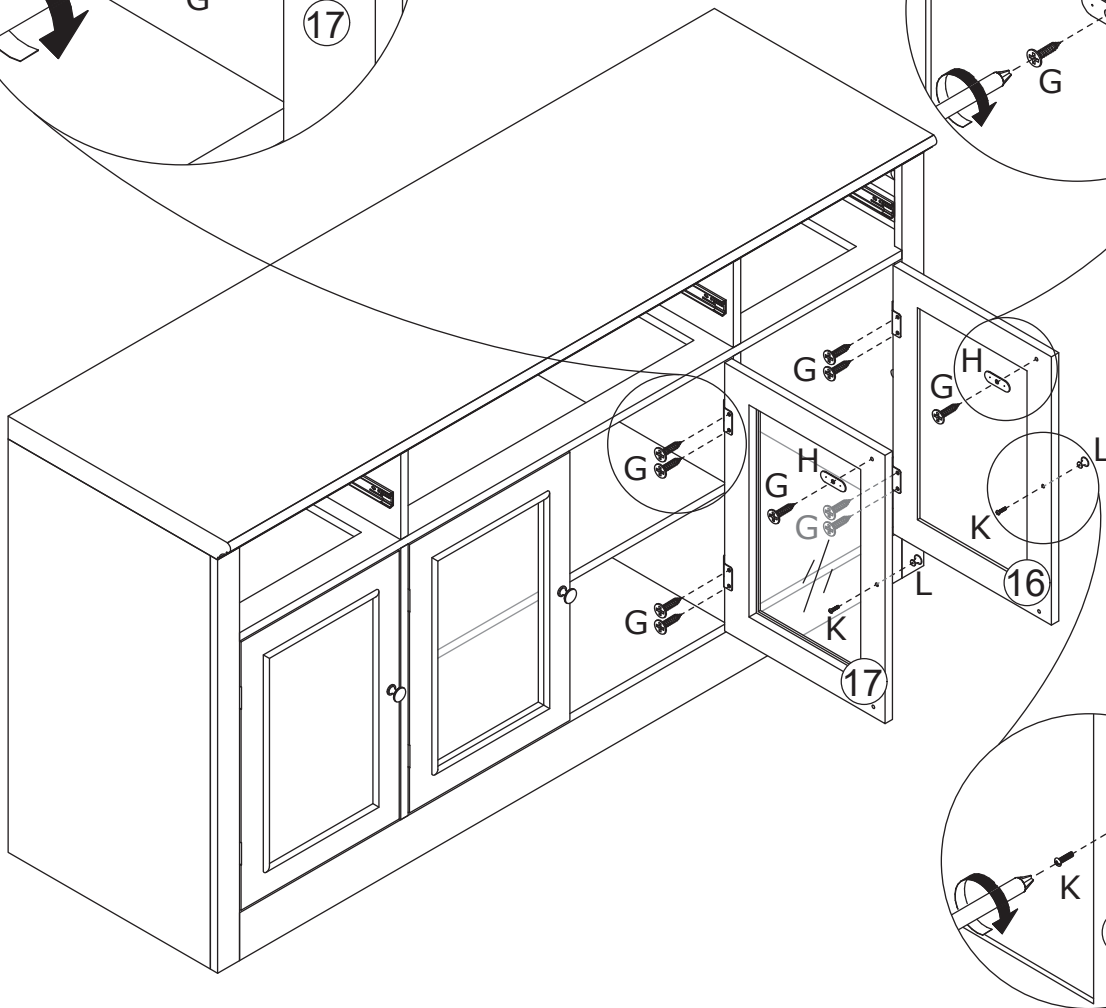
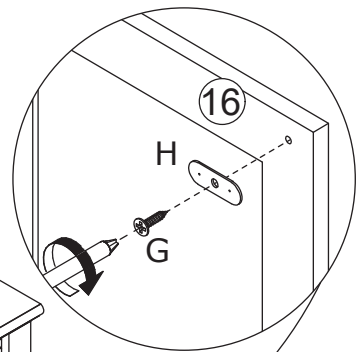
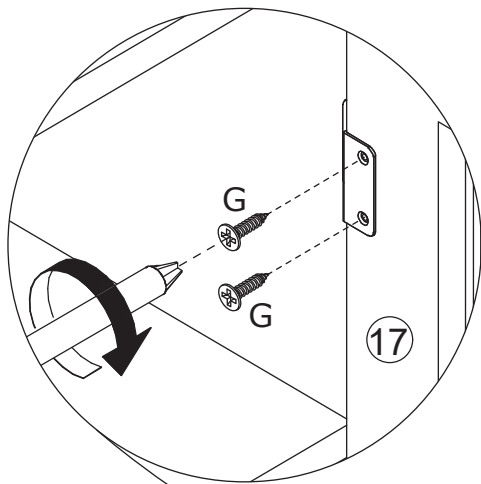
| | | | | |
|--|--|---|---|---|
| <p>G x 10  Ø3 x 14 mm</p> | <p>H x 2 </p> | <p>K x 2  Ø4 x 16 mm</p> | <p>L x 2 </p> |  |
|--|--|---|---|---|



Fix knob(L) to board 16 and 17 with screw(K).
Fix part(H) to board 16 and 17 with screw(G).
Fix board 16 and 17 to hinges using screw(G)
as shown.

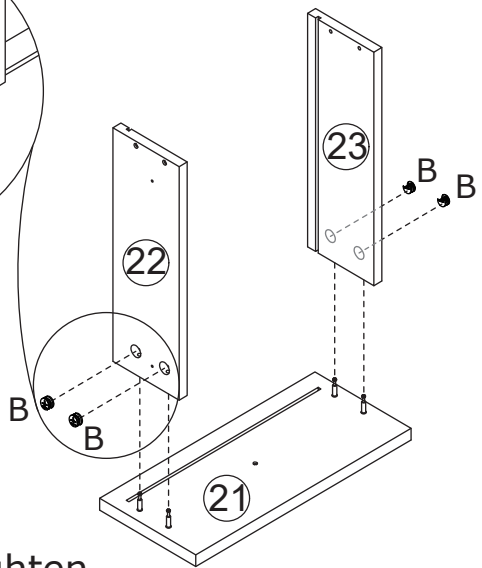
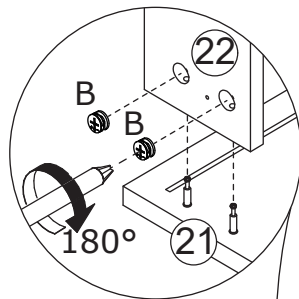
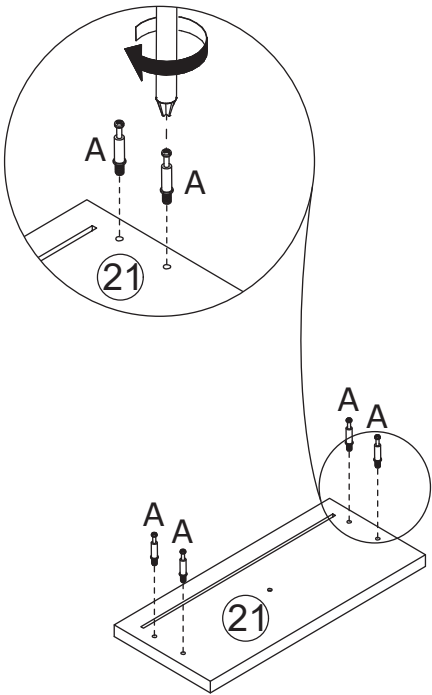
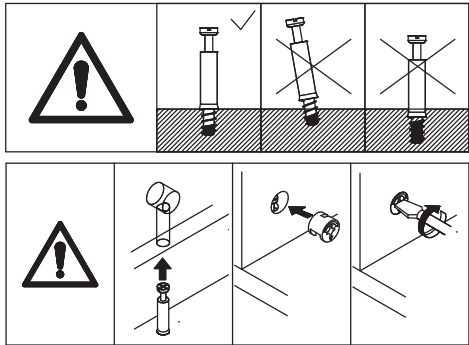
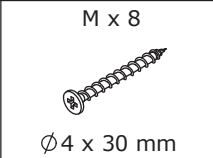
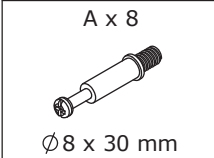
17

| | | | | |
|---|--|--|---|---|
| <p>G x 10</p>  <p>Ø3 x 14 mm</p> | <p>H x 2</p>  | <p>K x 2</p>  <p>Ø4 x 16 mm</p> | <p>L x 2</p>  |  |
|---|--|--|---|---|

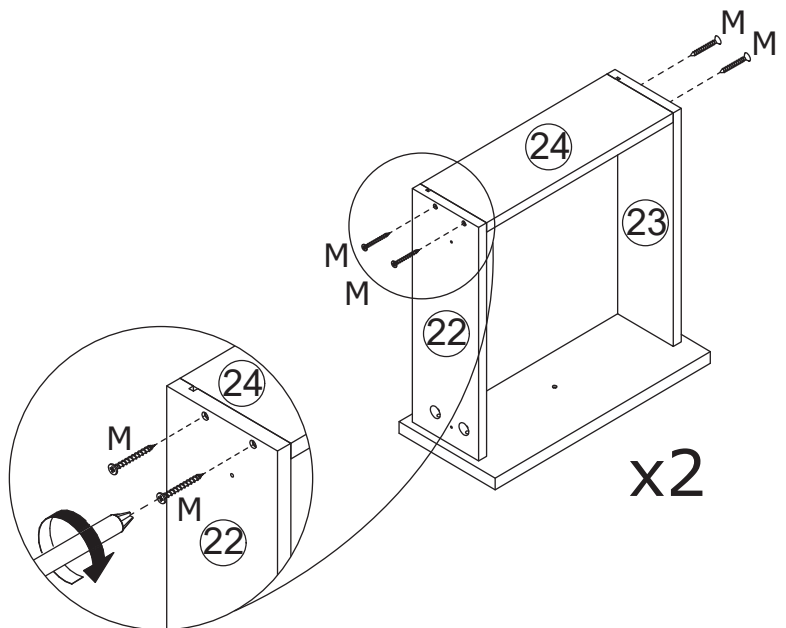
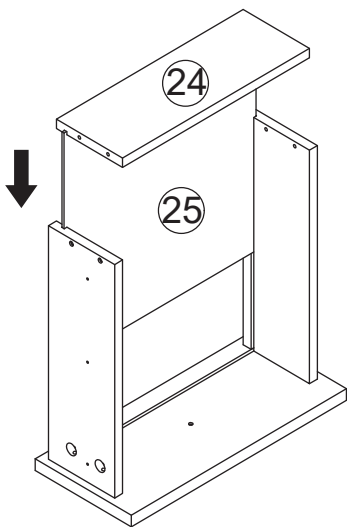


Fix knob(L) to board 16 and 17 with screw(K).
Fix part(H) to board 16 and 17 with screw(G).
Fix board 16 and 17 to hinges using screw(G)
as shown.

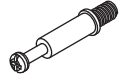


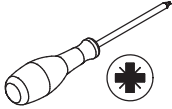
18

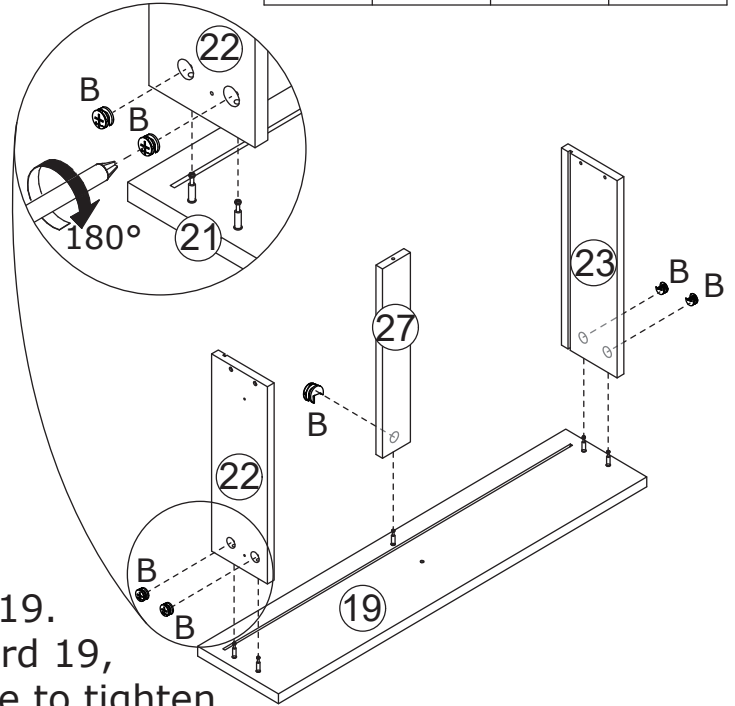
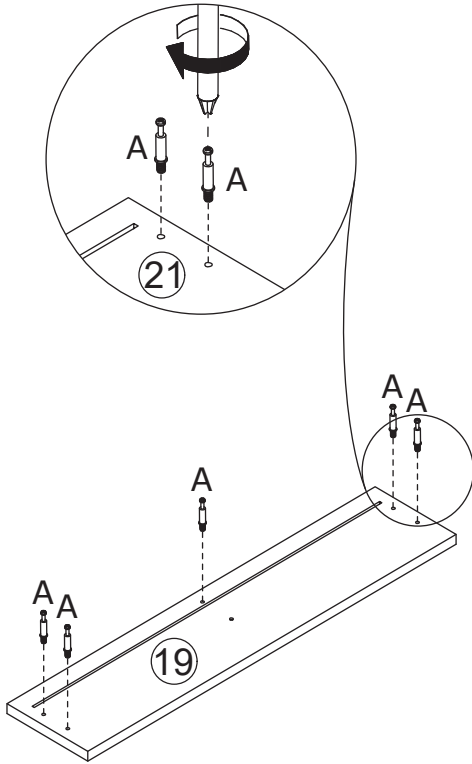
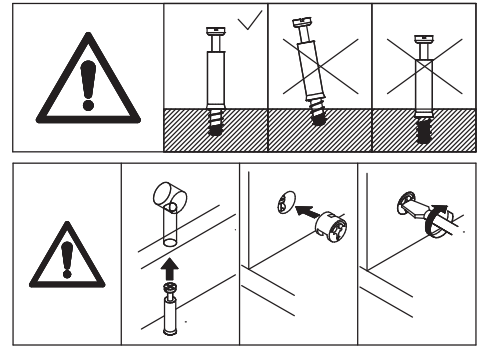


Screw eccentric rod(A) into board 21.
 Attach board 22 and 23 to board 21,
 add cam lock(B) and turn clockwise to tighten.
 Insert bottom board 25 along grooves.
 Fix board 24 to board 22 and 23 with screw(M) as shown.

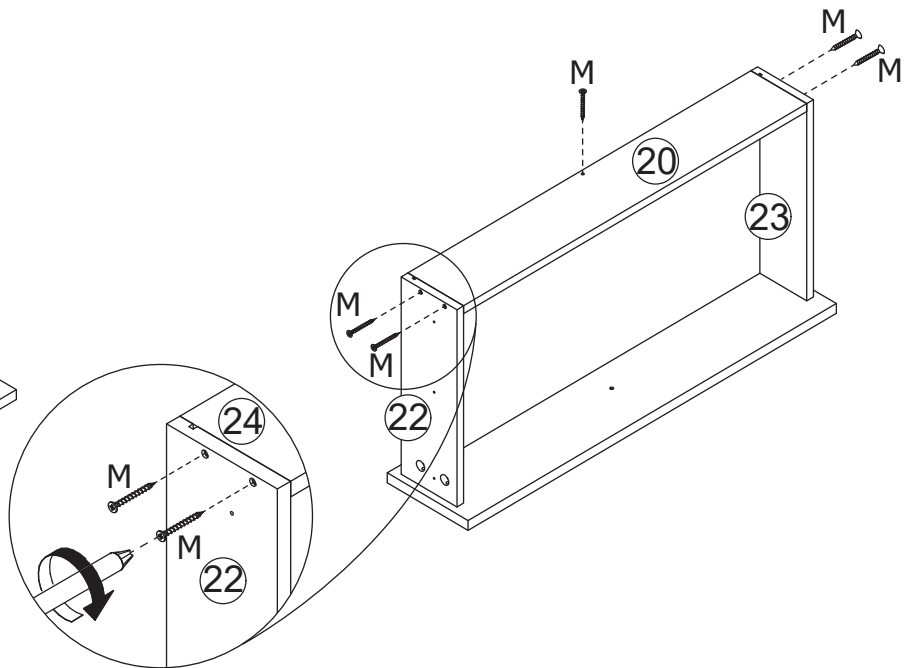
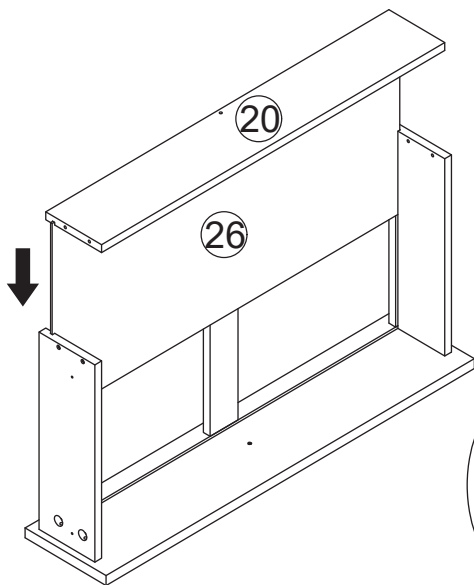


19





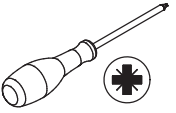
| | | | |
|--|--|--|---|
| <p>A x 5</p>  <p>Ø8 x 30 mm</p> | <p>B x 5</p>  | <p>M x 5</p>  <p>Ø4 x 30 mm</p> |  |
|--|--|--|---|

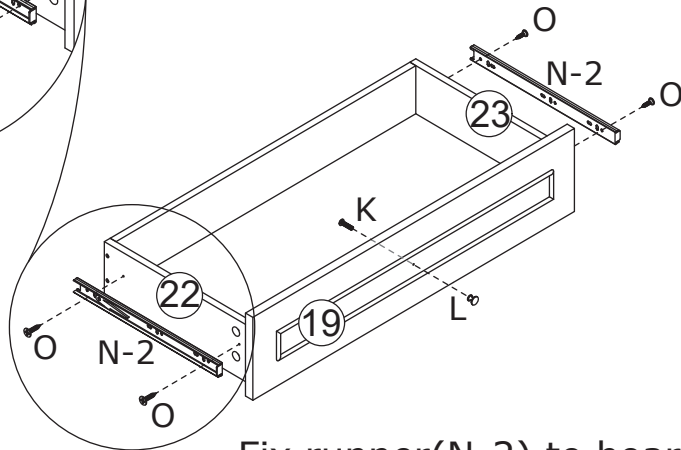
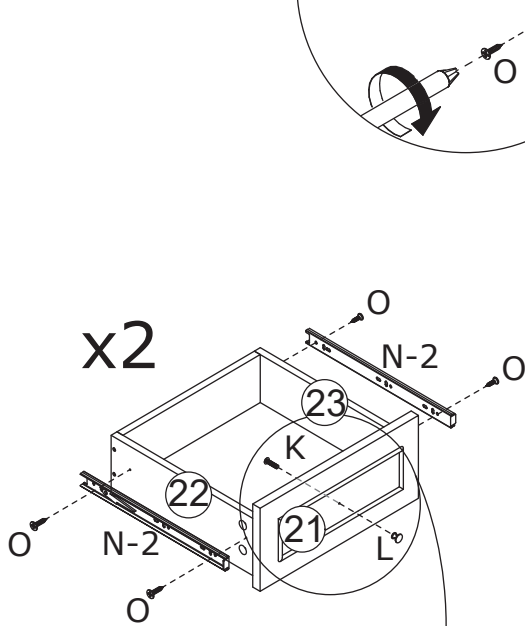
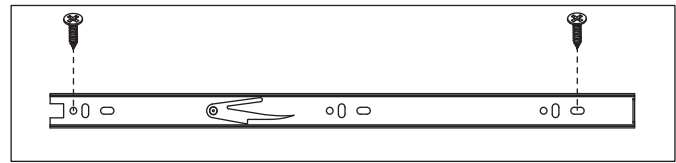
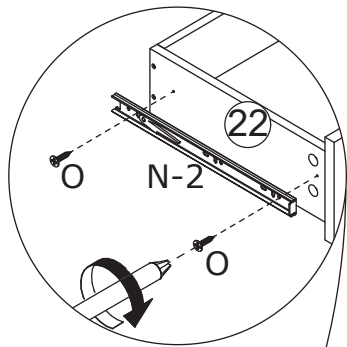


Screw eccentric rod(A) into board 19.
 Attach board 22, 27 and 23 to board 19,
 add cam lock(B) and turn clockwise to tighten.
 Insert bottom board 26 along grooves.
 Fix board 20 to board 22, 27 and 23
 with screw(M) as shown.



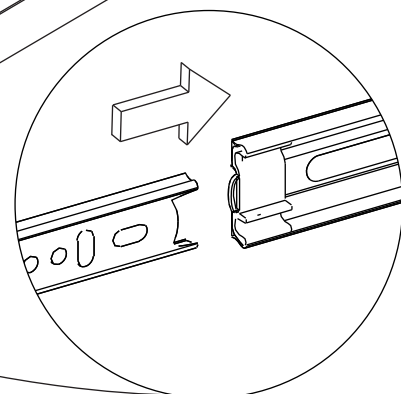
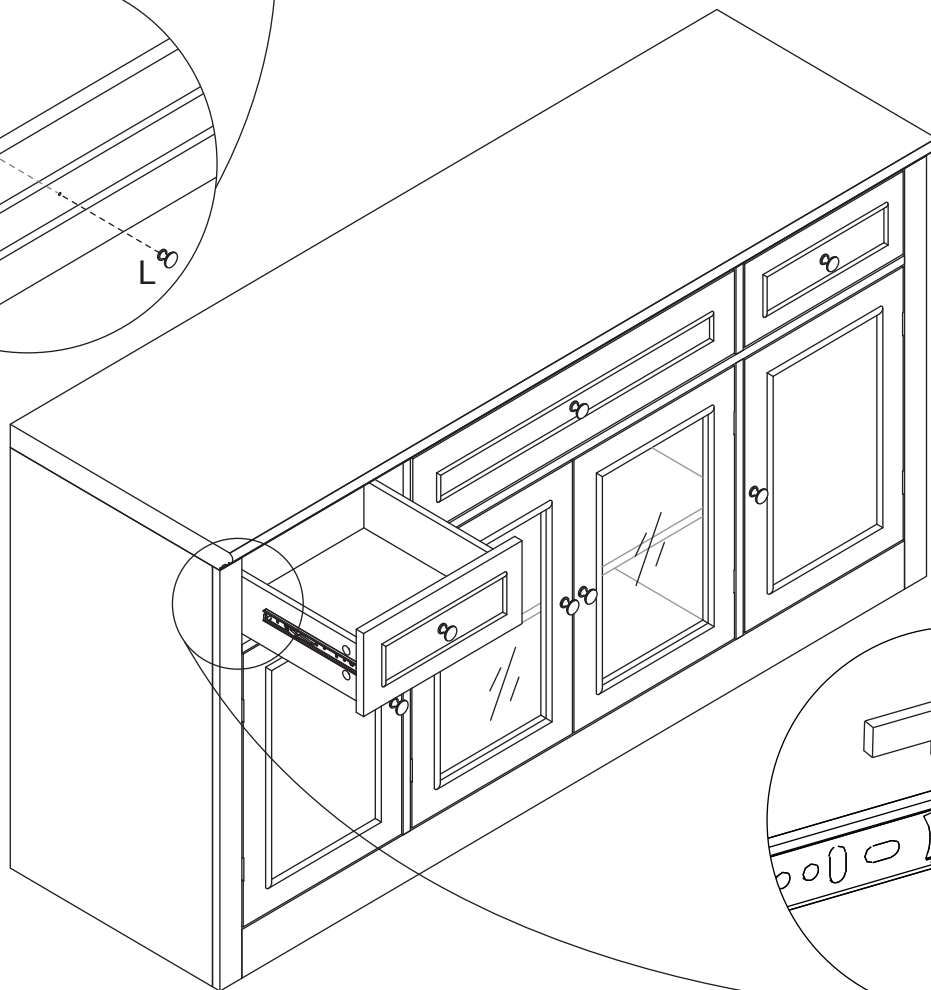
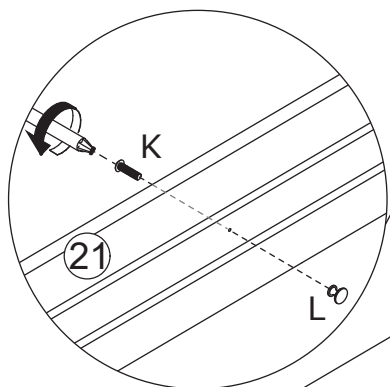
20

| | | | | |
|--|--|--|--|---|
| <p>K x 3</p>  <p>Ø4 x 16 mm</p> | <p>L x 3</p>  | <p>N-2 x 6</p>  | <p>O x 12</p>  <p>Ø3.5 x 12 mm</p> |  |
|--|--|--|--|---|



Fix runner(N-2) to board 22 and 23 with screw(O). Fix knob(L) to board 21 and 19 with screw(K).

Insert the drawers in.



WARRANTY

WARRANTY CLAIMS

- There is a 30-day warranty for broken furniture or any other problems that do not work properly. The warranty will start from the date of purchase which must be verified by proof of purchase.
- Before making a claim, we may be able to answer your query, simply call us. Please leave your purchase order number, along with some details of the problem, if you want a replacement part. We will arrange within 48 hours. If there is out of stock, we will reply with a shipping date.
- The product must be used in accordance with the instructions provided. For health reasons.
- For other reasons, if the furniture needs to be returned, it must be cleaned and dried and operated within 30 days of receipt.

Type of Warranty Claim

- Failure to follow the furniture instructions will invalidate the warranty. Attention please.
- Does not include damage during installation, but includes damage during transportation.

Scope of responsibility

- Shall not bear any responsibility for misuse or user damage and / or loss of parts during the installation of furniture.
- After using, the damage and scratches of the furniture are not covered by the warranty.

The Warranty Relates to All Bought in The Us and Covers The Following Areas

- Sheet parts: 1 month from the date of purchase.
- Electrical parts: 1 month from the date of purchase.