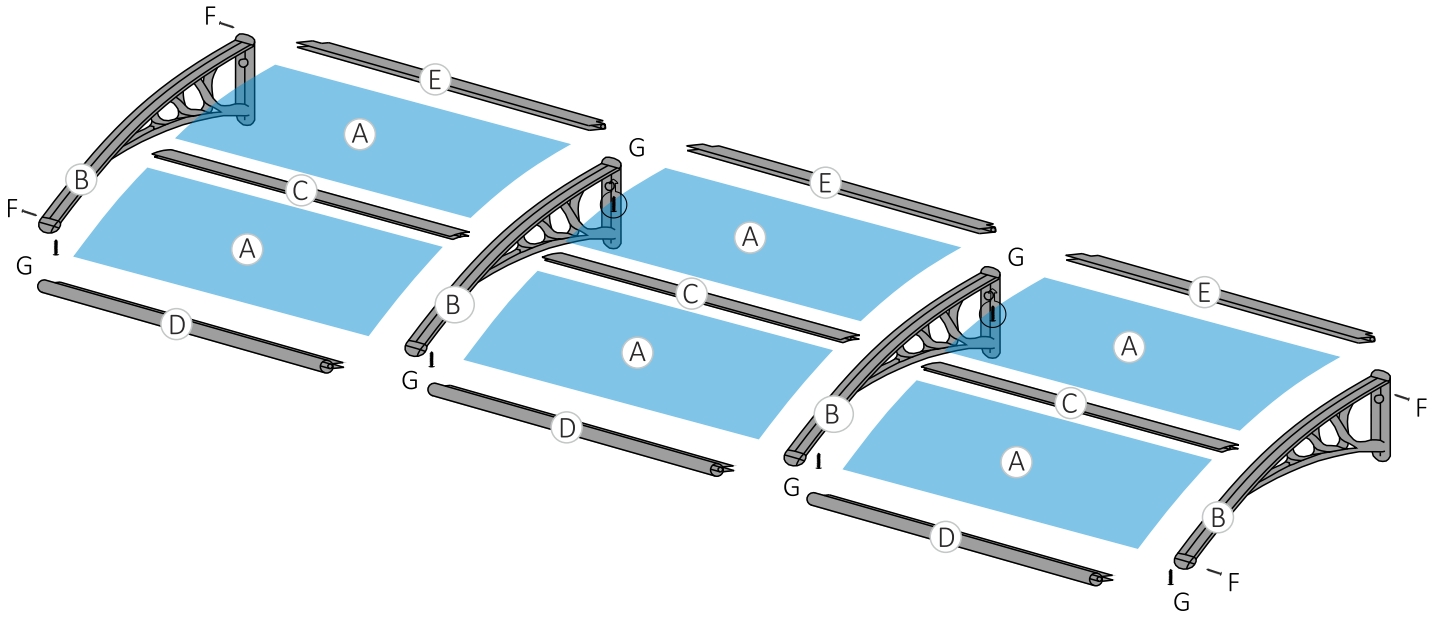


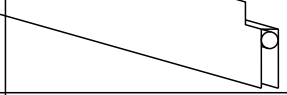
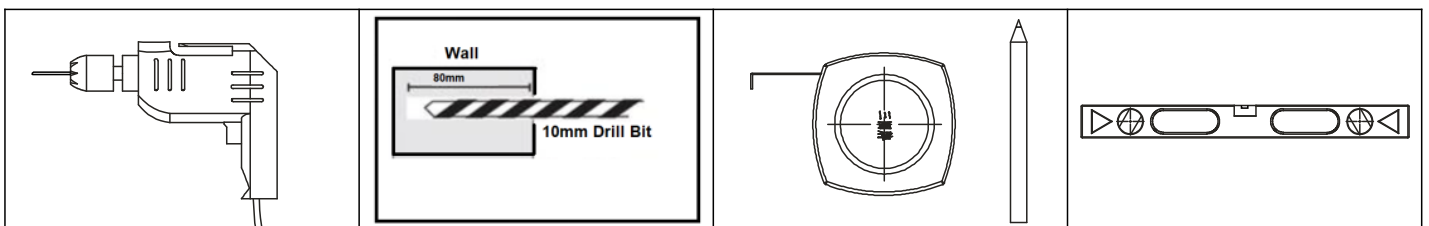


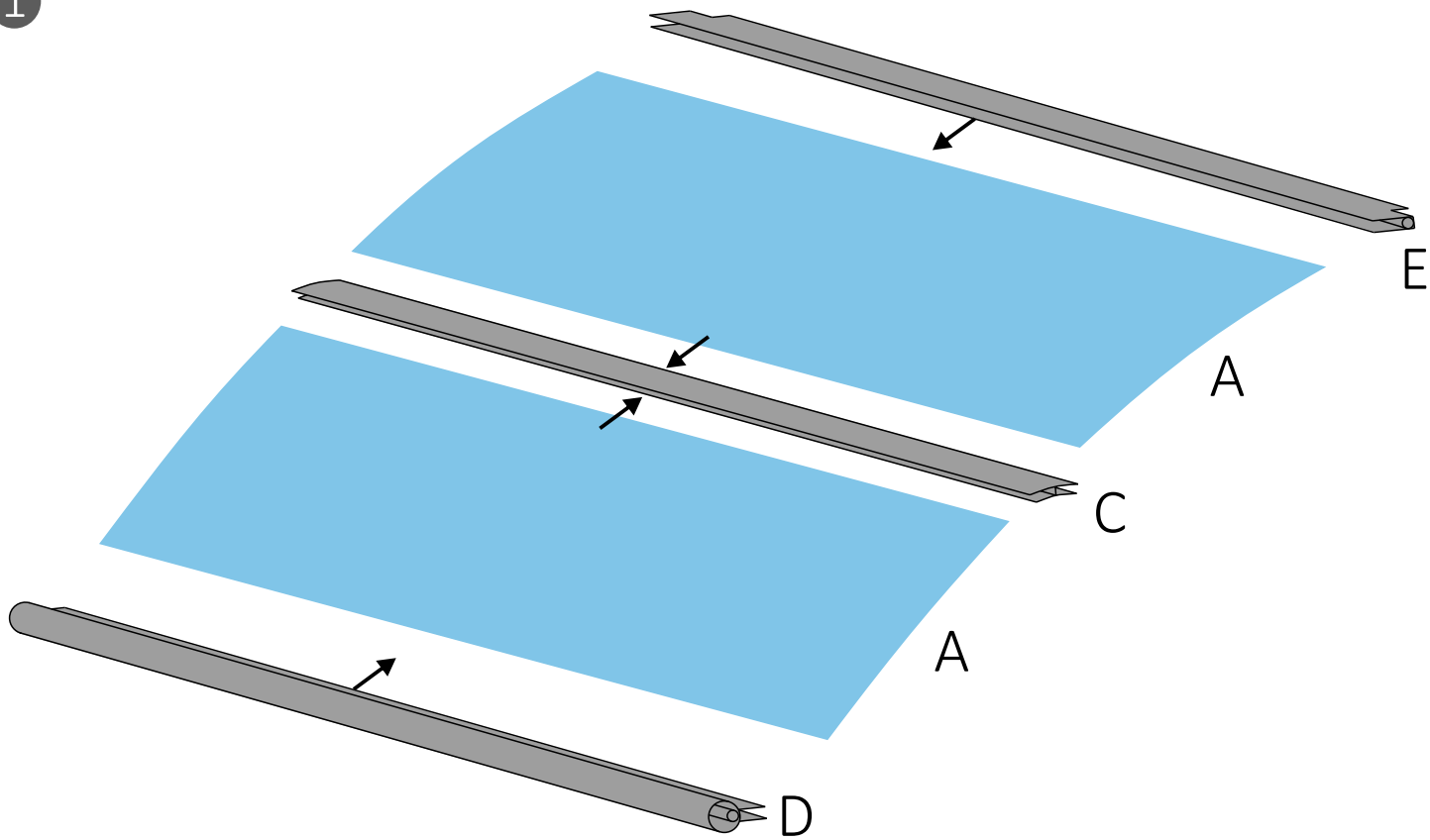
# Assembly Instruction



A	6x	PC Board	
B	4x	Bracket	
C	3x	H Bar	
D	3x	Front Bar	
E	3x	Back Bar	
F	8x	Screws	
G	12x	Sharp Screws	
H	8x	Screwset	

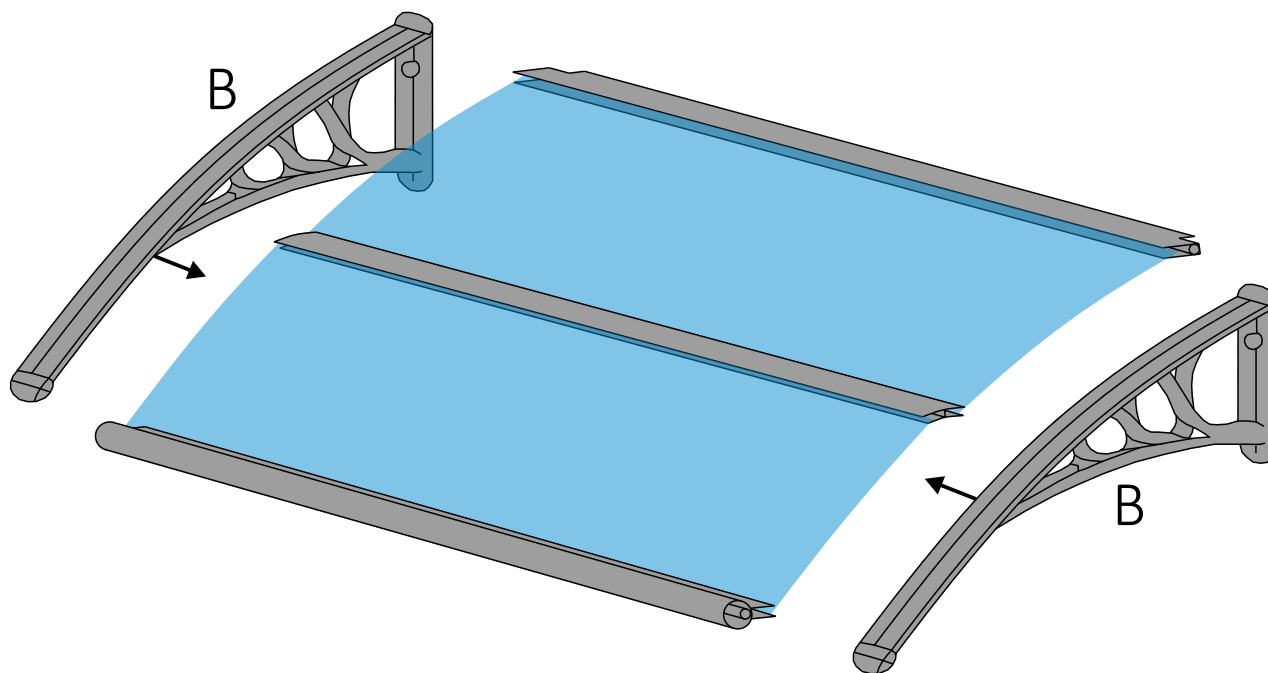


1



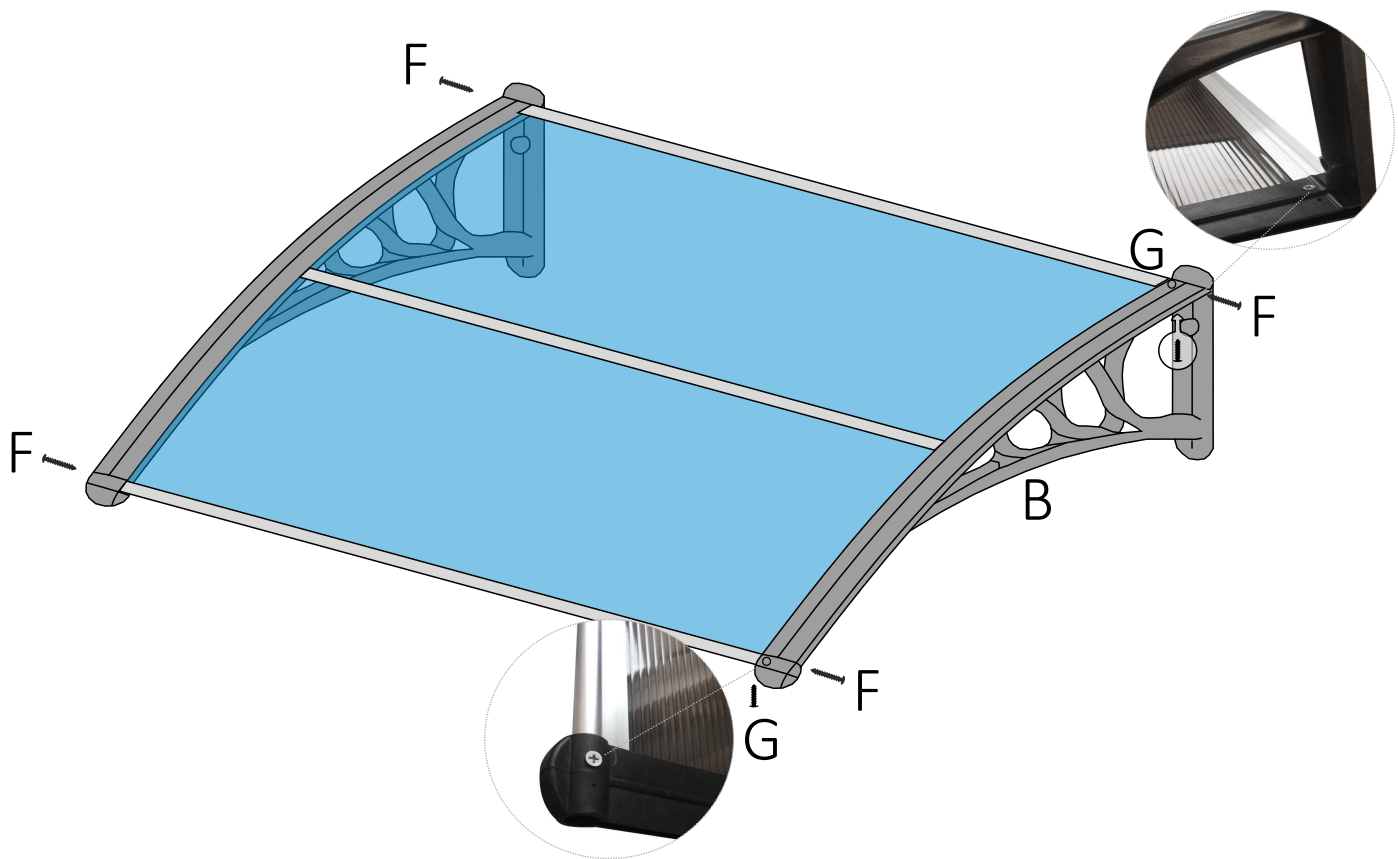
Place the roof plates (2XA) on the connection profile (C) and a front profile (D) a wall profile (E)

2



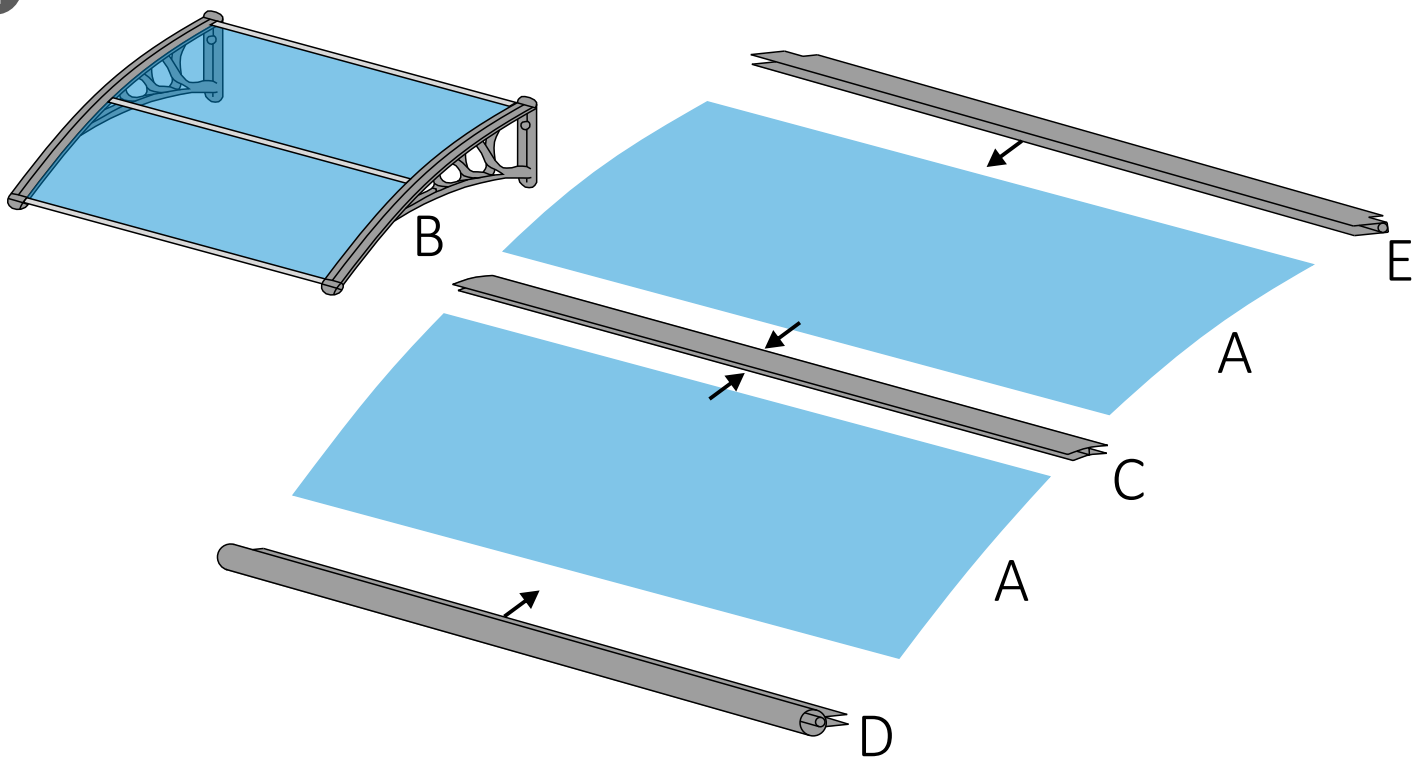
Place the holder (B) and (B) on the roof plates (A)

3



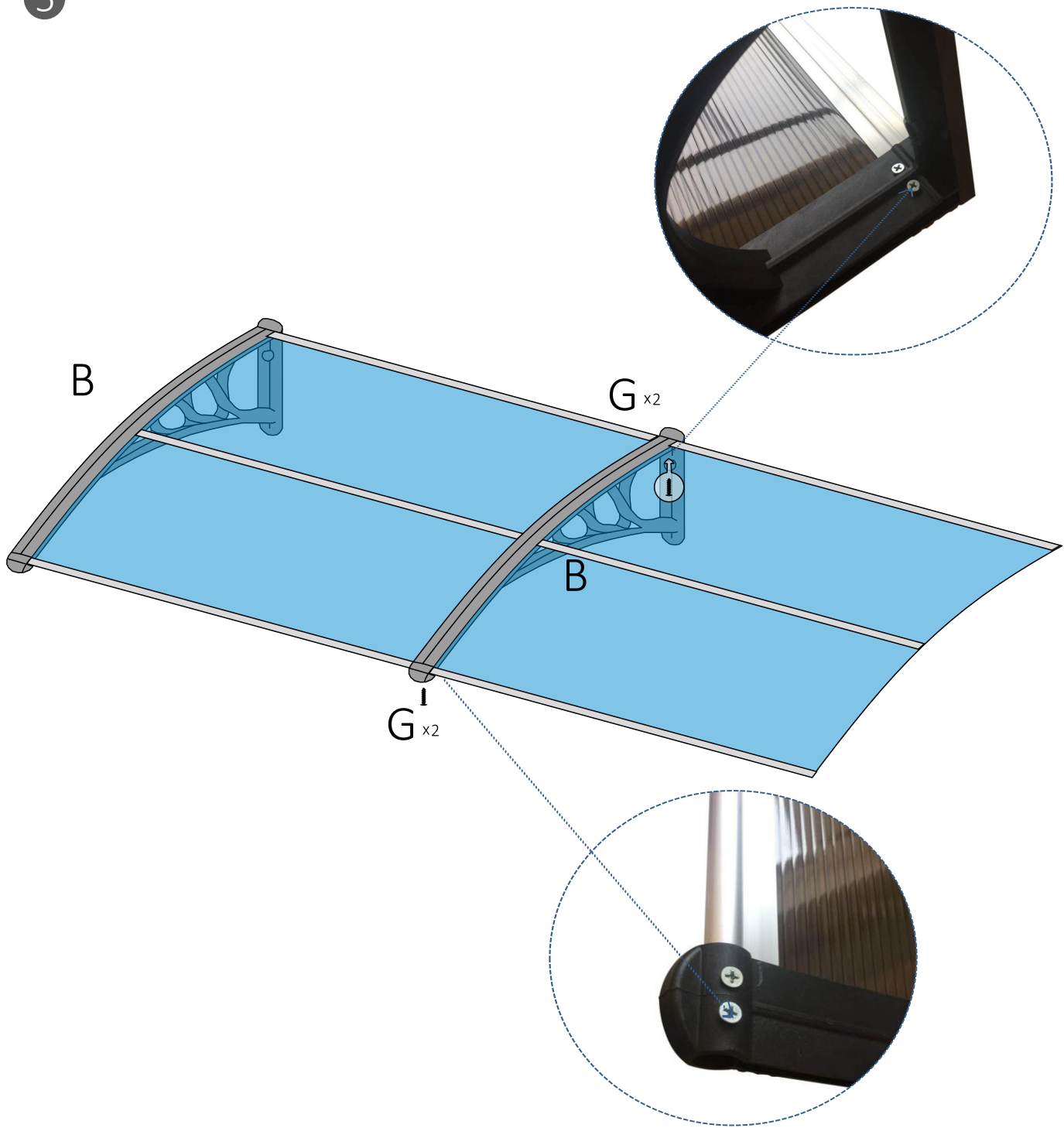
Attach the holder (B) to the front profile (D) and the Wall profile (E) by screws (F) and fix the inner holder (B) by screws (G) from the bottom to the front profile (D) and the Wall profile (E)

4



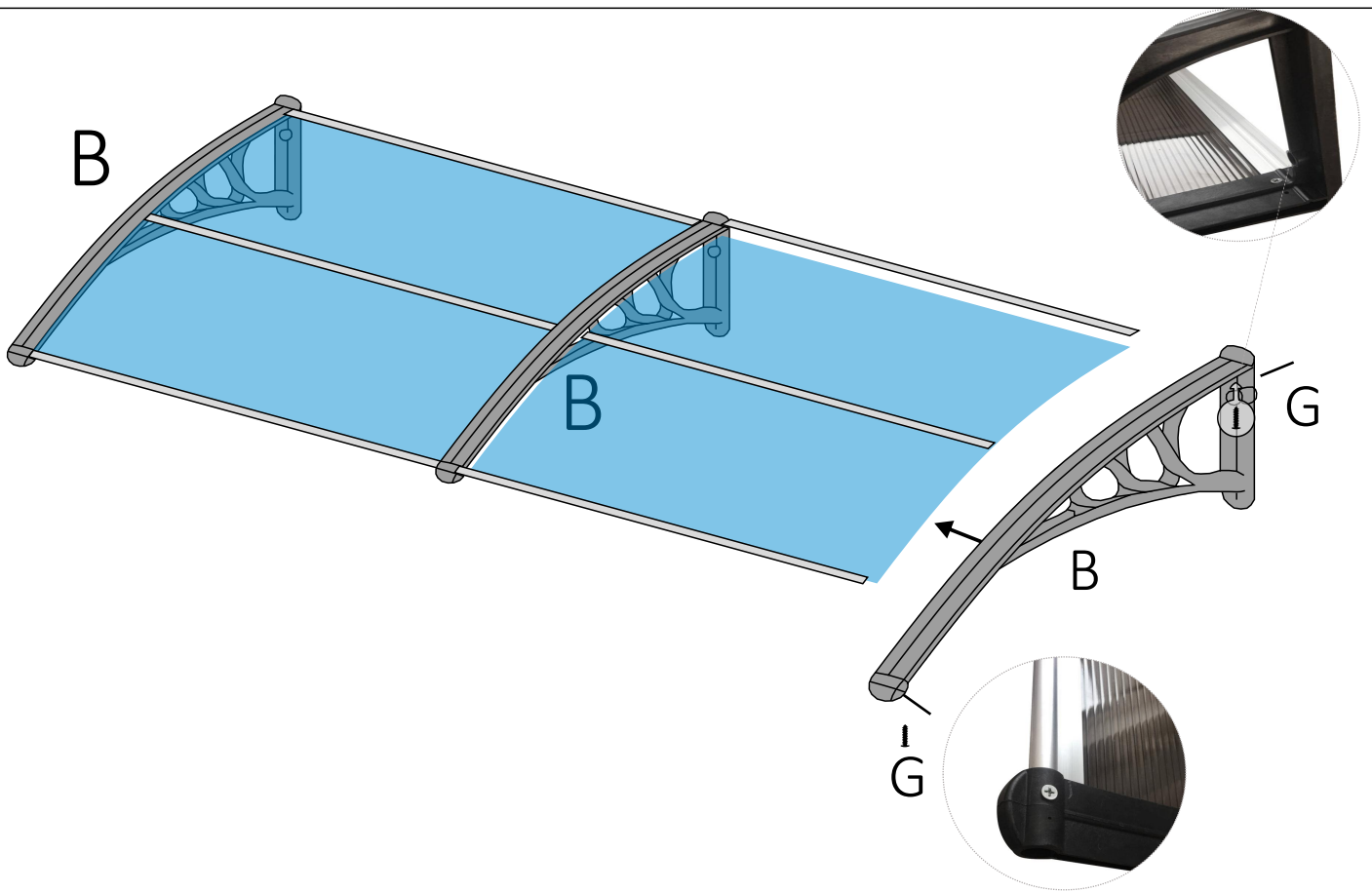
Place the roof plates (2XA) on the connection profile (C) and a front profile (D) a wall profile (E)

5



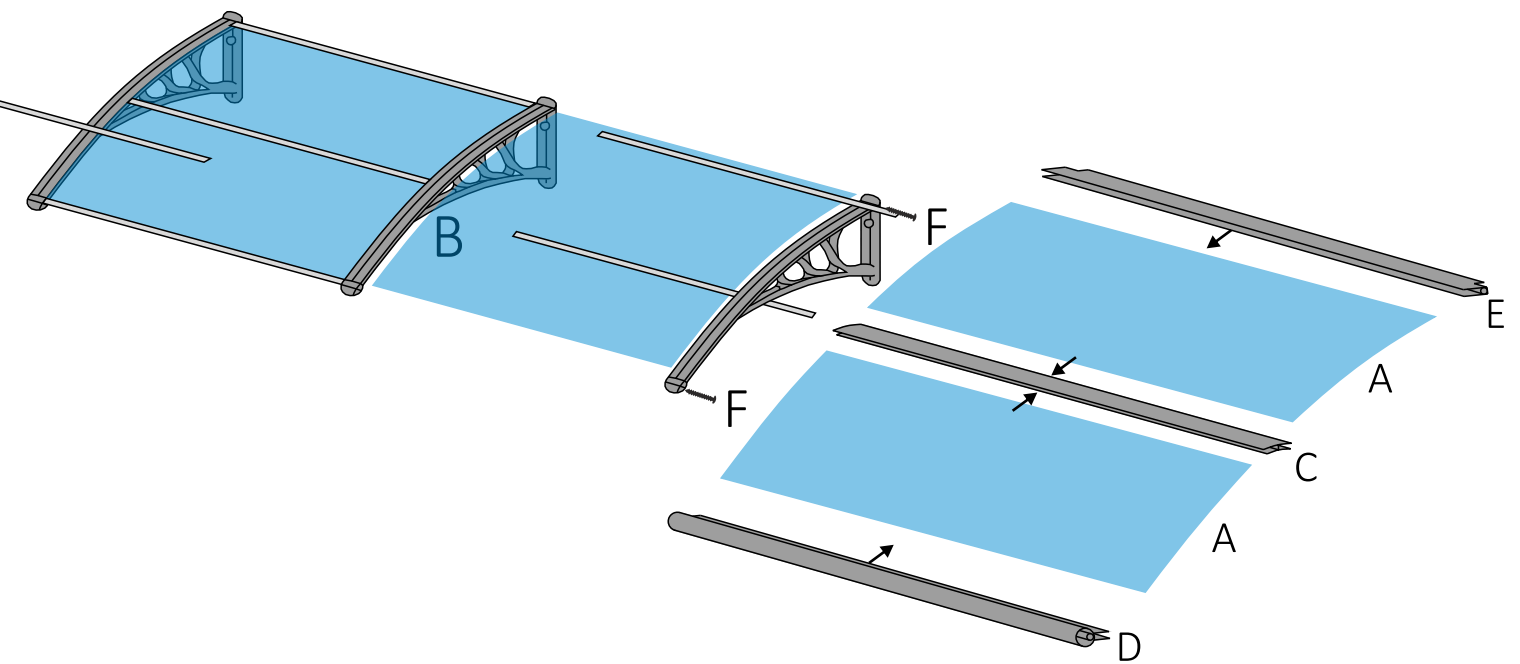
Tighten inner holder (B) by screws (G) from the bottom to the front profile (D) and the Wall profile (E)

6



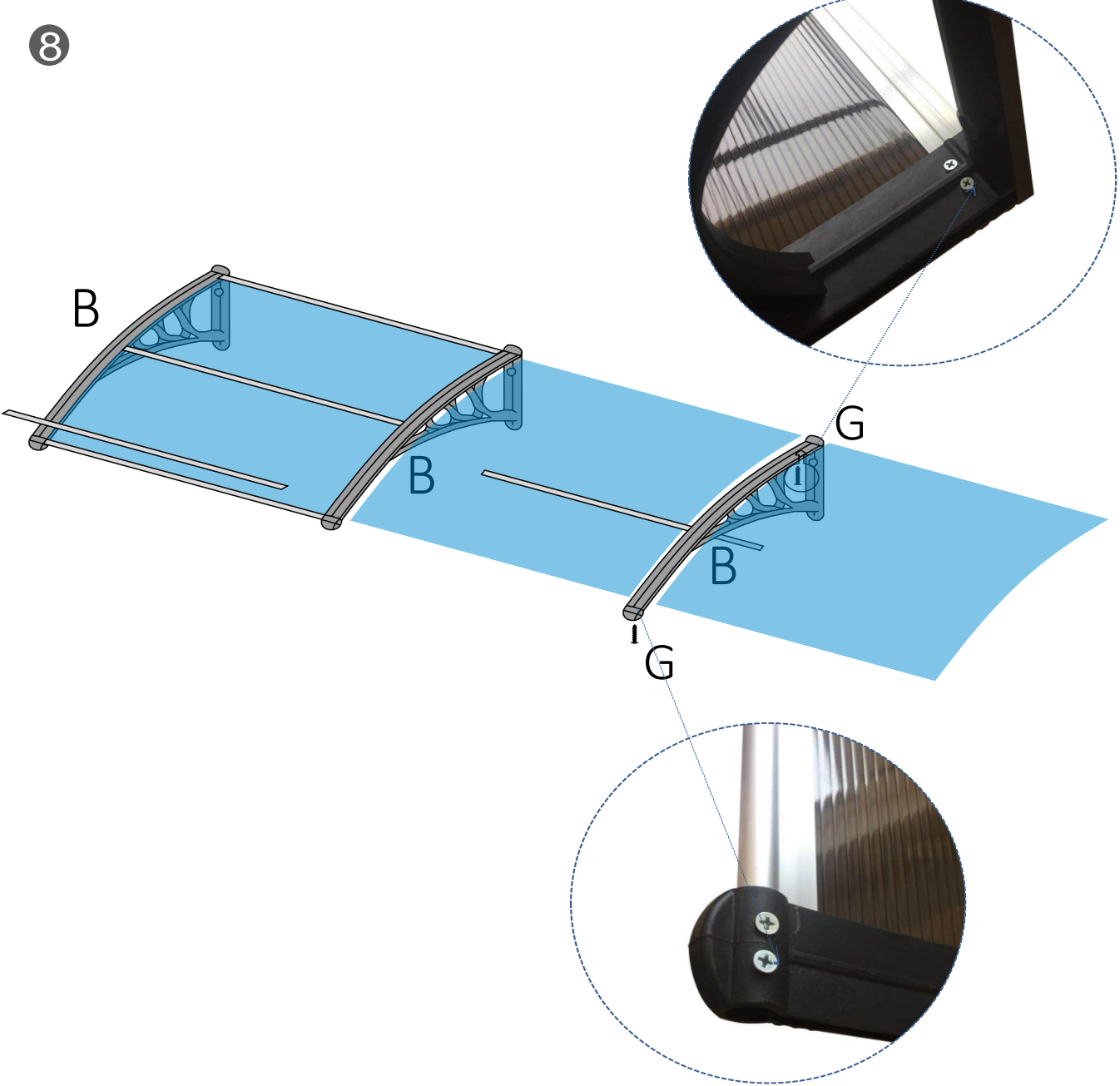
Place the holder (B) on the roof plates (A)  
and fix the inner holder (B) by screws (G) from the bottom to the front profile (D) and the Wall profile (E)

7



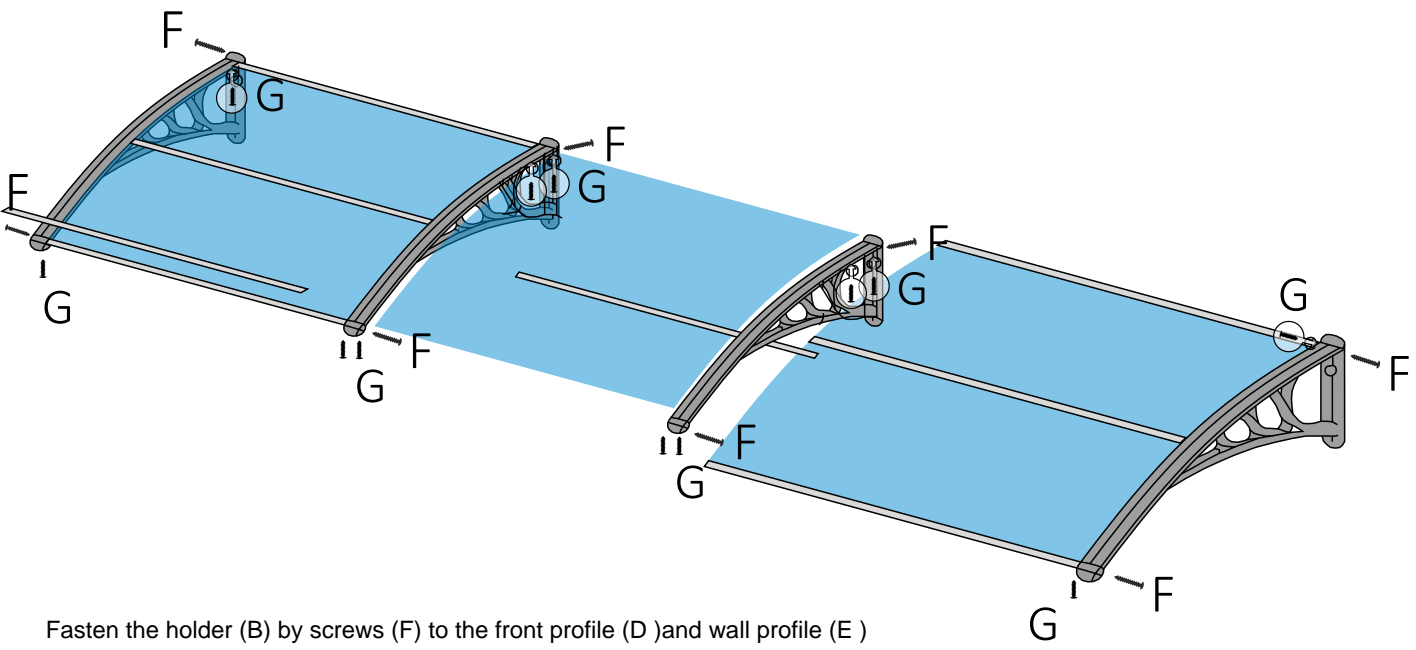
Fasten the holder (B) by screws (F) to the front profile (D) and wall profile (E)  
Place the roof plates (2XA) on the connection profile (C) and a front profile (D) a wall profile (E)

8



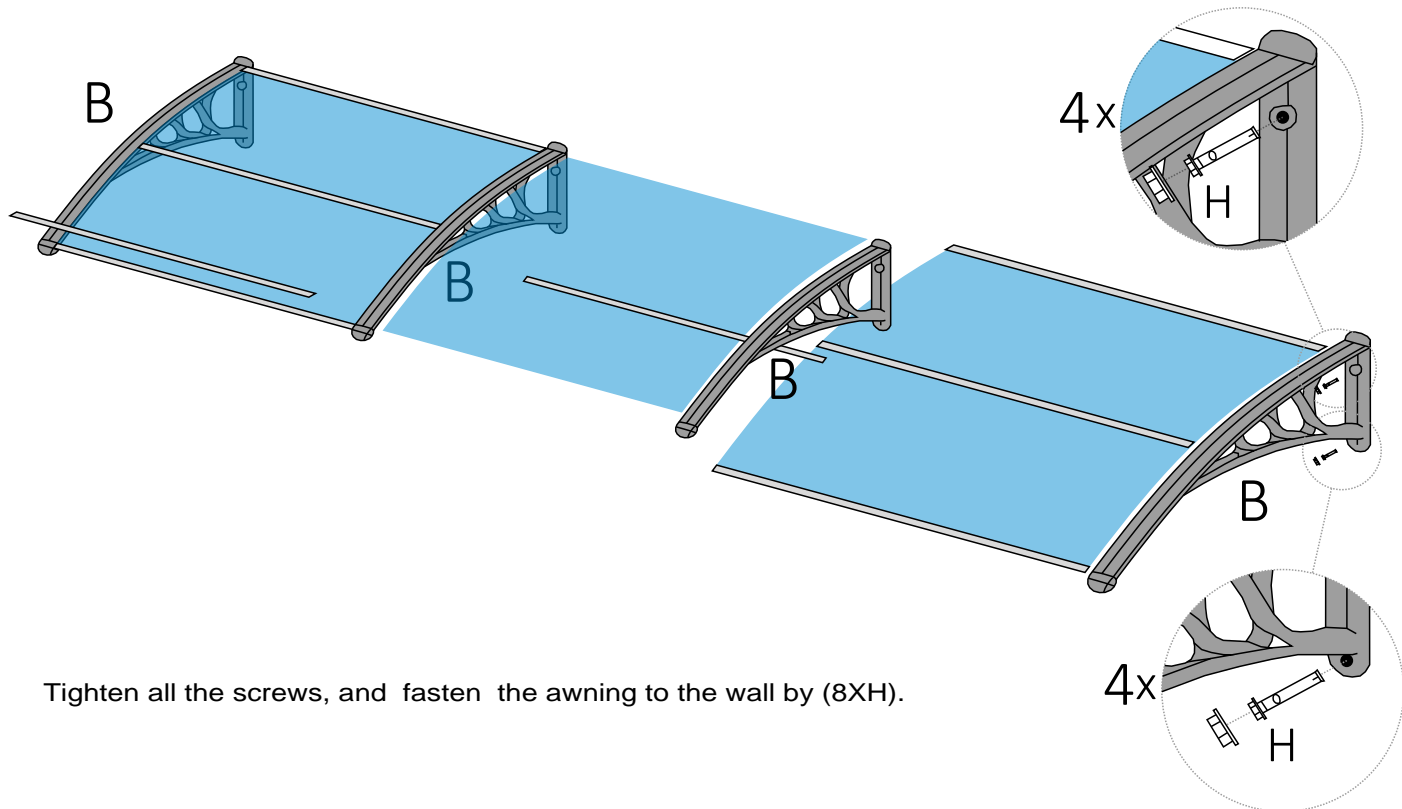
Tighten inner holder (B) by screws (G) from the bottom to the front profile (D) and the Wall profile (E)

9



Fasten the holder (B) by screws (F) to the front profile (D) and wall profile (E) and place the second part of the canopy on the first part

10



Tighten all the screws, and fasten the awning to the wall by (8XH).