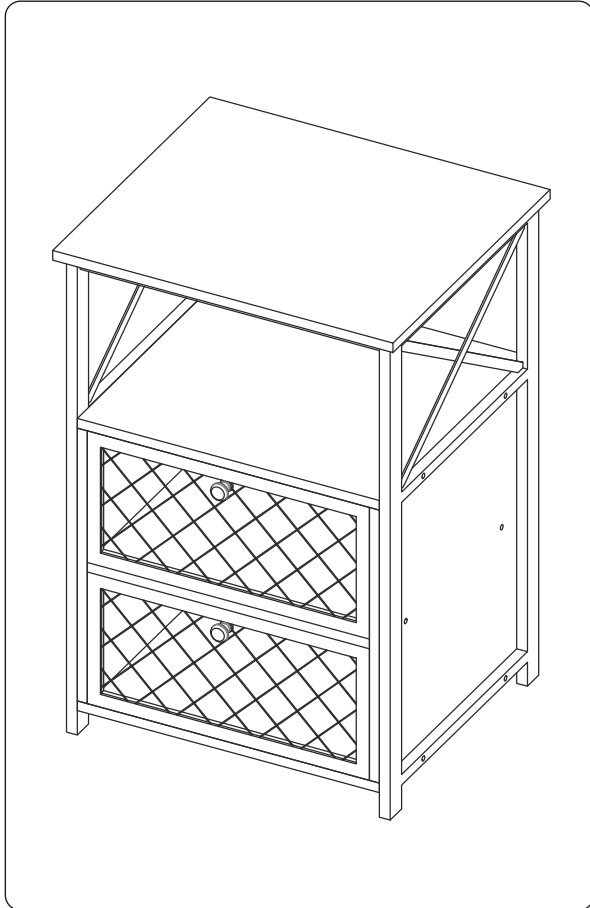


Assembly Instructions

Tips!

Check all the components & screws before assembly. **Do not install in case part is missing, contact us to get.** Send email with your question We will resend within 24 hours.



Componets			
① x2 	② x2 	③ x2 	
④ x1 	⑤ x1 	⑥ x1 	
⑦ x1 	⑧ x1 	⑨ x1 	⑩ x1

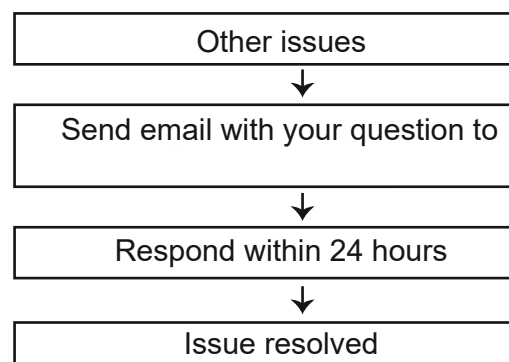
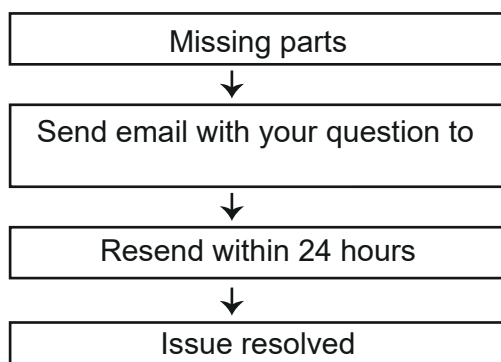
Screws & tools				
Ⓐ x8 1/4*7/8MM	Ⓑ x8 Φ5*50MM	Ⓒ x12 	Ⓓ x12 3.0*12MM	Ⓔ x4 3.0*14MM
Ⓕ x2 	Ⓖ x2 	Ⓗ x6 M4*6MM	Ⓘ x1 	Ⓙ x2

Return Policy

believes you will absolutely love your new item. But if for some reason you want to return, please contact us directly before you decide to return your product. Our customer service organization can answer most concerns and assist you with a ns you may have about your new item, please email us first at: support@vecelo.com.

The item must be return within 30 days of delivery for a full refund. The item must be returned in good condition ,in original box,with all original proof of purchase,parts and accessories.

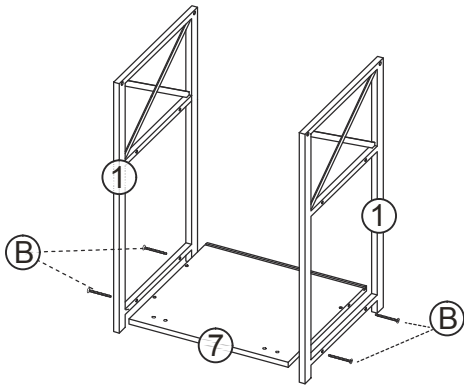
Trouble shooting:



We control manufacturing and distribution ourselves, ensure the quality.

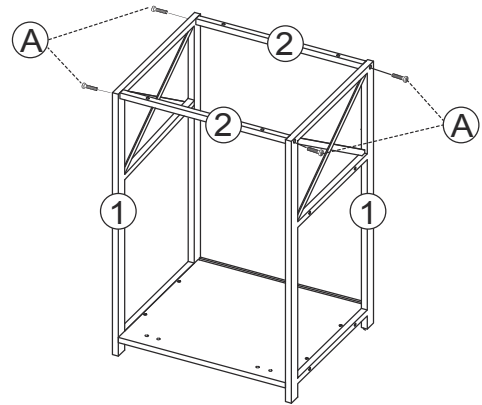
1 Connect ⑦ to ①

 Bx4




2 Connect ② to ①

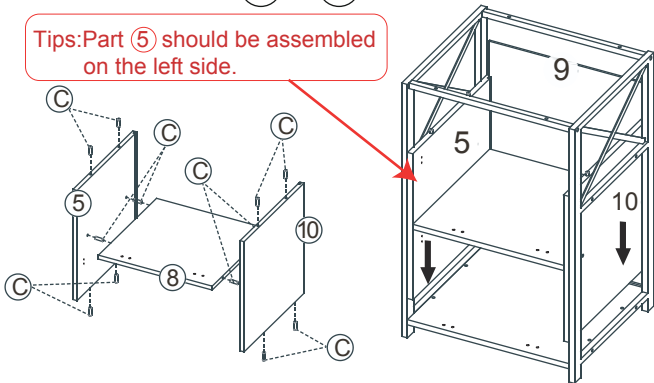
 Ax4




3 Assembly ⑤ & ⑧
Connect ⑨ to ⑤

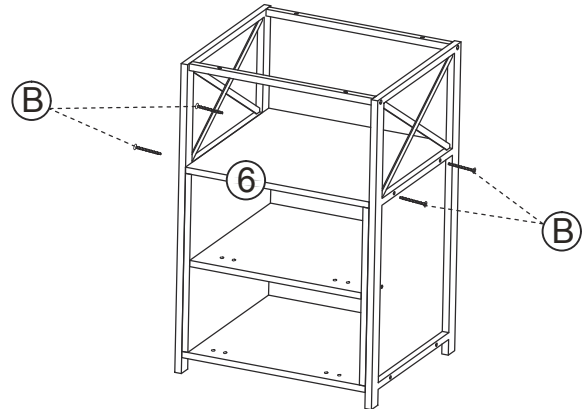
 Cx12

Tips: Part ⑤ should be assembled on the left side.

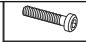




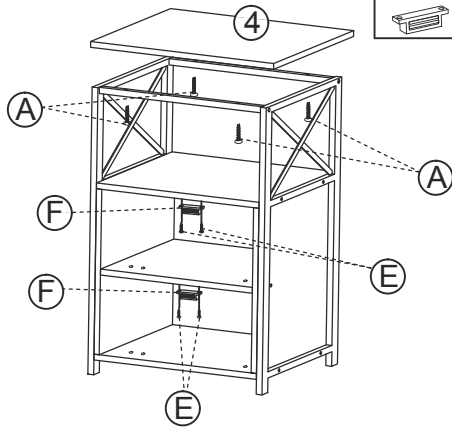
4 Connect ⑥ to ①

 Bx4






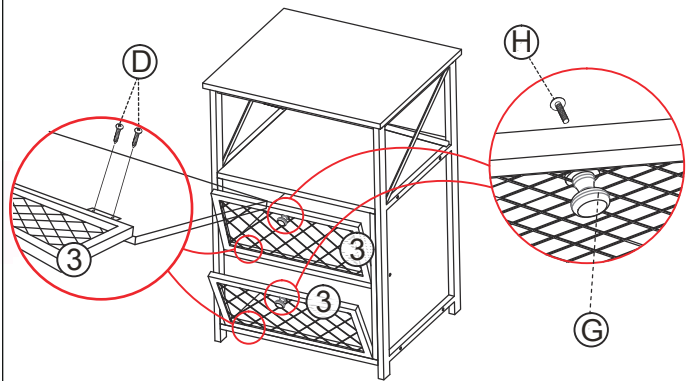
5 Assembly ④ & ⑥

 Ax4
 Ex4
 Fx2






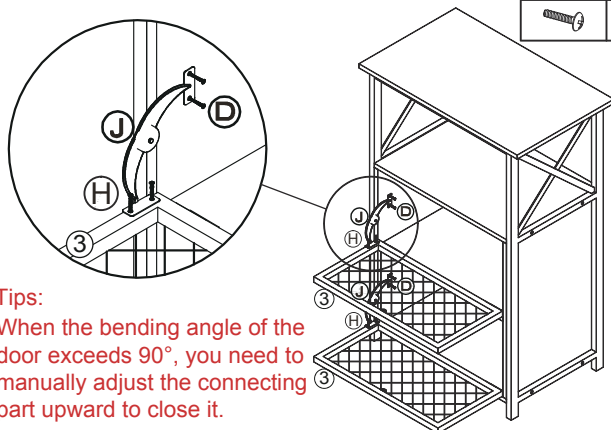
6 Assembly ③ & ⑦

 Dx8
 Hx2
 Gx2



7 Assembly ③ & ⑩

 Dx4
 Jx2
 Hx4



Tips:
When the bending angle of the door exceeds 90°, you need to manually adjust the connecting part upward to close it.