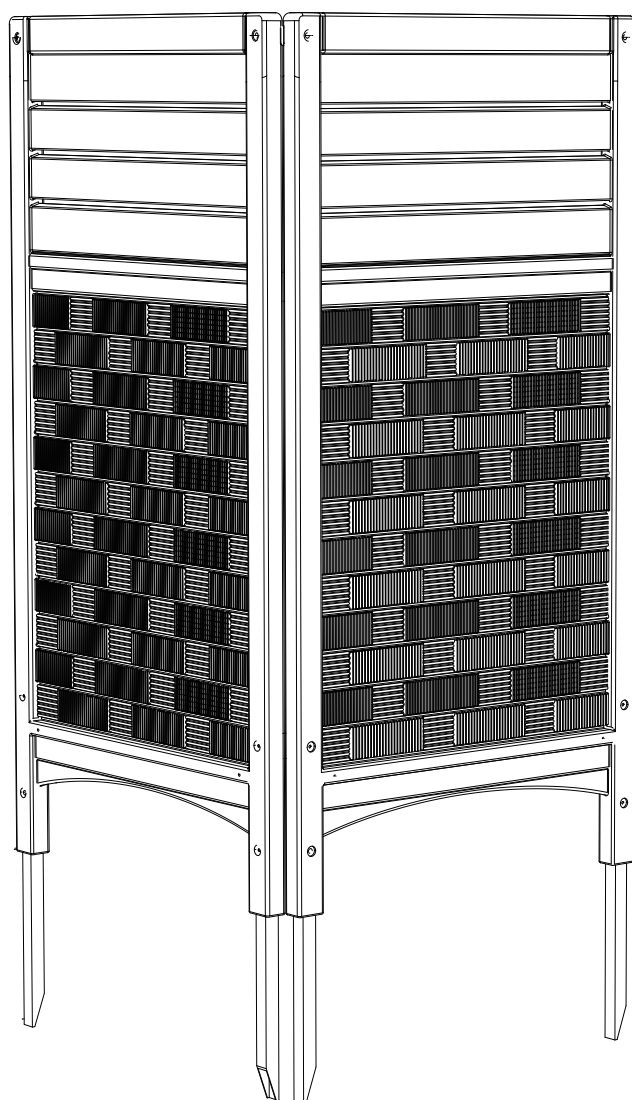


OUTDOOR FENCE

installation instructions



Installation tools



Electric drill
(Not included in the accessory pack)



Rubber hammer
Wooden hammer
(Not included in the accessory pack)



Tape measure
(Not included in the accessory pack)

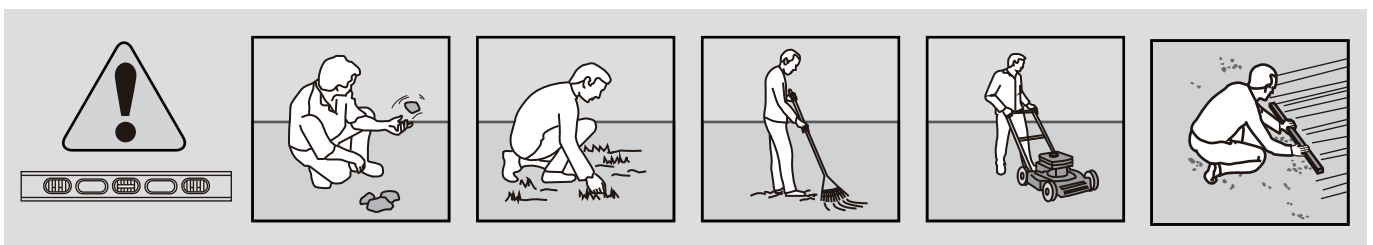


Screwdriver

Matters needing attention

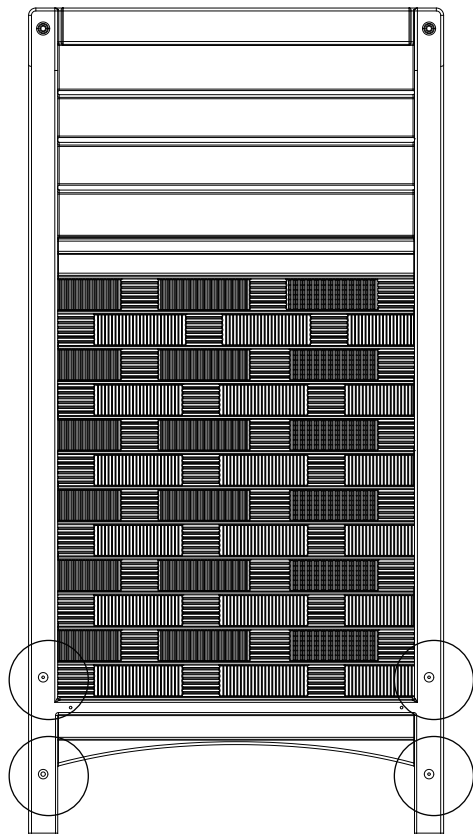
1. Before installation, check the parts according to the parts list to ensure that the parts are not damaged, if you find anything wrong please contact us.
2. Install all accessories according to the installation instructions.
3. Take out the accessories and install them on a horizontal floor.
4. The company does not bear the loss due to the damage of the parts caused by the incorrect installation method, and the customer shall bear the loss.

Horizontal floor

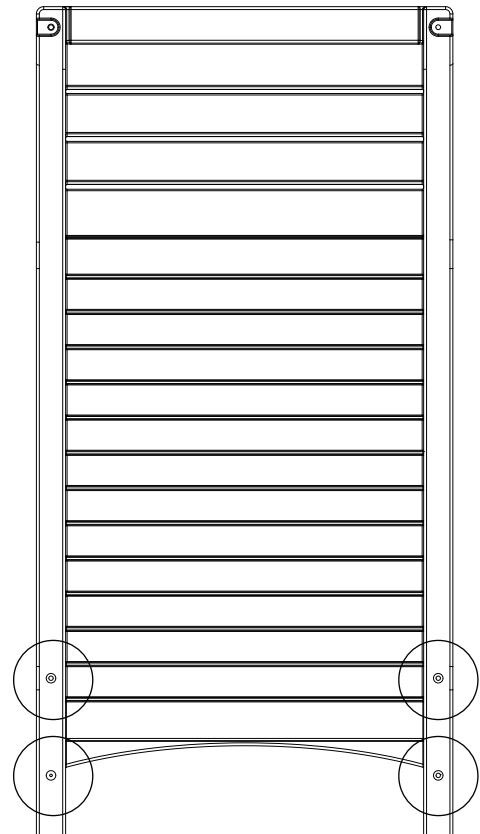


For better installation, please tidy the ground before installation and keep the ground level.

Installation Tips



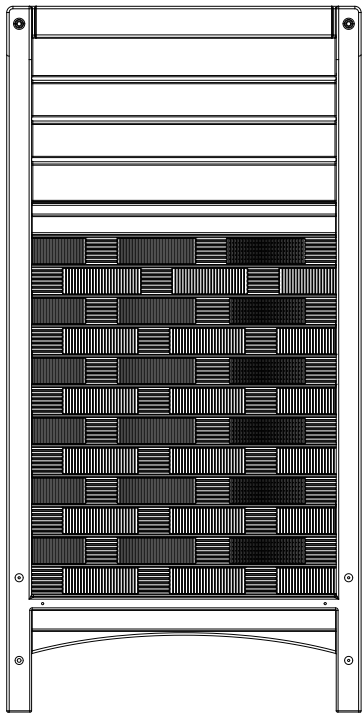
Front



Back

Notes: there are screw fixing holes on both sides of the fences, you can choose to install the screws on the front or back of the fences.

Parts List



Fence

A

2pcs



Metal Stake

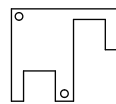
B

4pcs



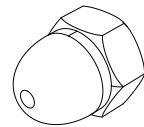
Installation Tool 1

1pc



Installation Tool 2

1pc

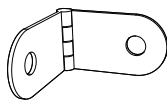


Nut

N1

5pcs

(Spare × 1pc)

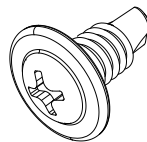


Hinge

C

2pcs

(Spare × 1pc)

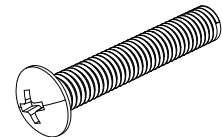


Large flat head
drill screw

S1

M5 × 13 × 10pcs

(Spare × 2pcs)



Large flat head
cross bolt

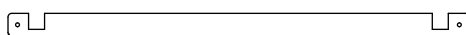
S2

M5 × 30 × 5pcs

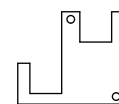
(Spare × 1pc)

Arrangement method: Multiple arrangement methods for the use of insert mounting parts

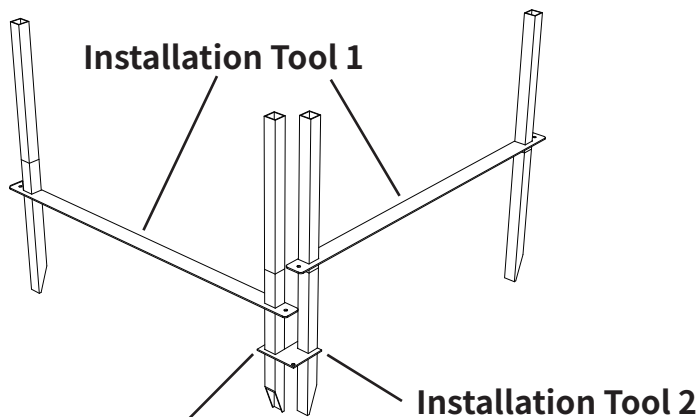
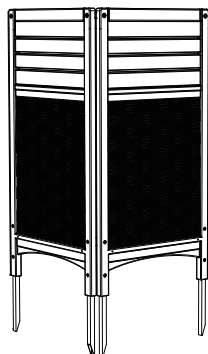
Method One:
Right-angle installation



Installation Tool 1

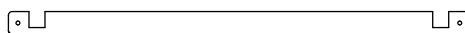


Installation Tool 2

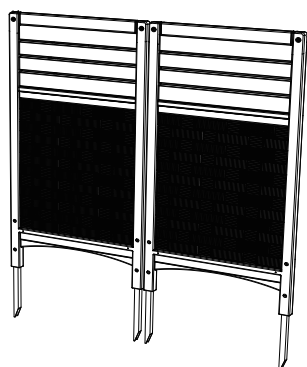


The tool should be closed to the left stake

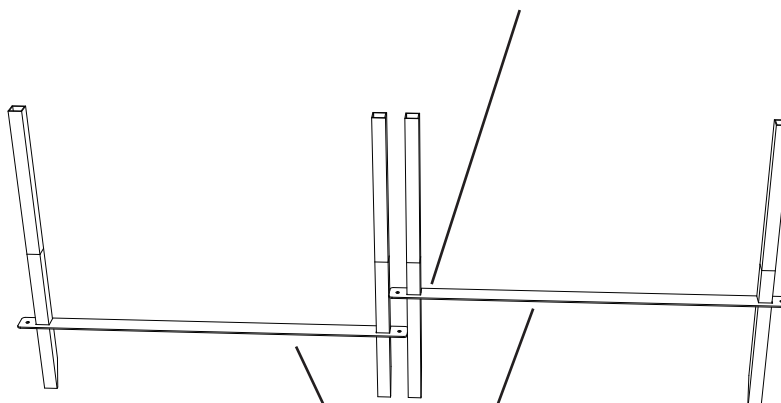
Method Two:
Installation at a large Angle



Installation Tool 1

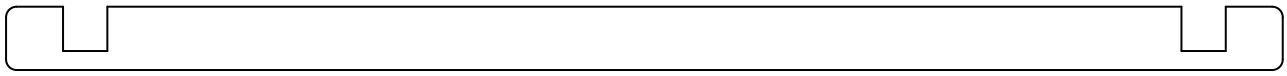


Put the left space of the tool stuck on the left stake, then insert the next stake into the right space of the tool, please keep the stakes vertically to the ground.

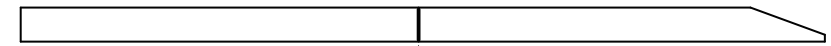
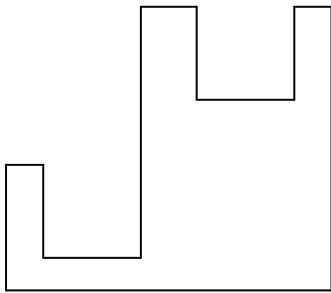


Installation Tool 1

Instruction of Stakes Position Measurement Tools



Stakes Position Measurement Tool 1



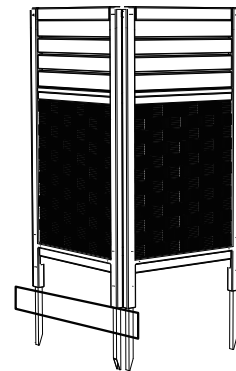
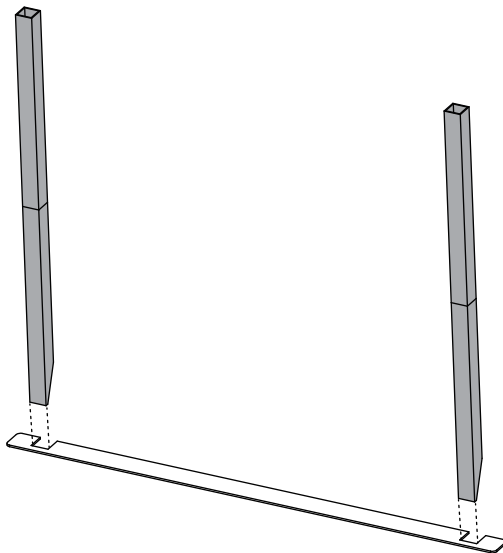
Stakes

Note: The part below the red line of the stakes should be inserted into ground.

Stakes Position Measurement Tool 2

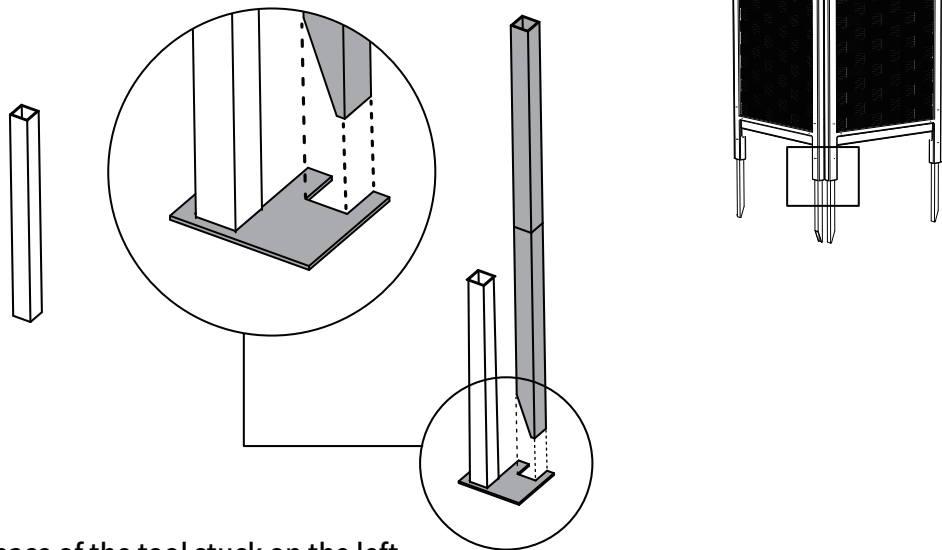
Note : (Installation tools need to be used repeatedly)

1 Instruction of Stakes Position Measurement Tool 1



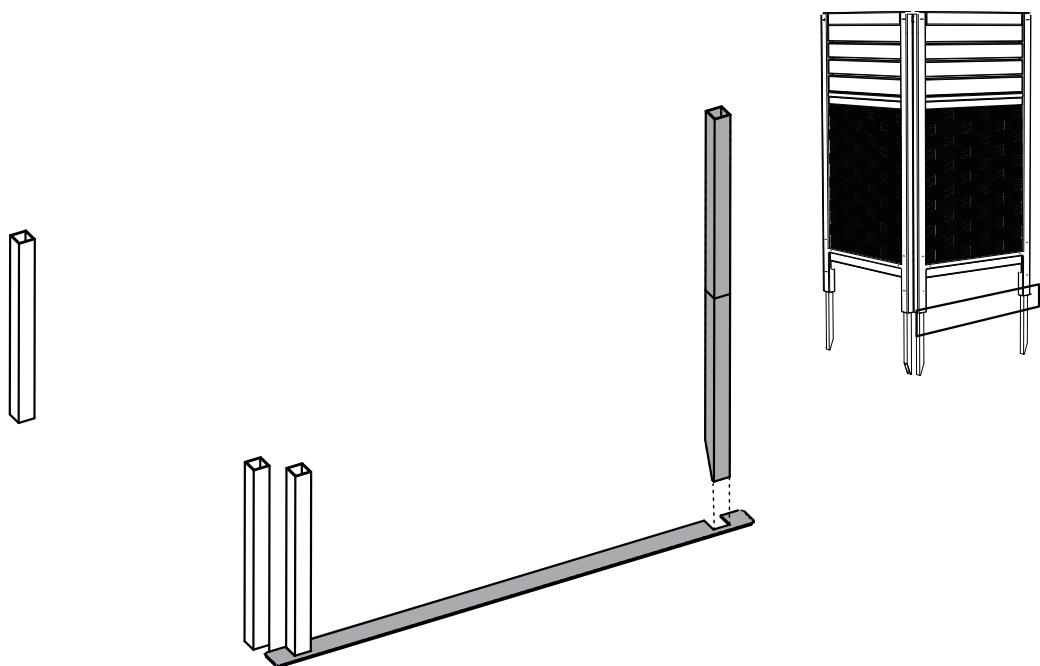
Put the stakes position measurement tool 1 on the ground, and insert the stakes into the space of the tool, please keep the stakes vertically to the ground.

2 Instruction of Stakes Position Measurement Tool 2



Put the left space of the tool stuck on the left stake, then insert the next stake into the right space of the tool, please keep the stakes vertically to the ground.

3 Instruction of Stakes Position Measurement Tool 1



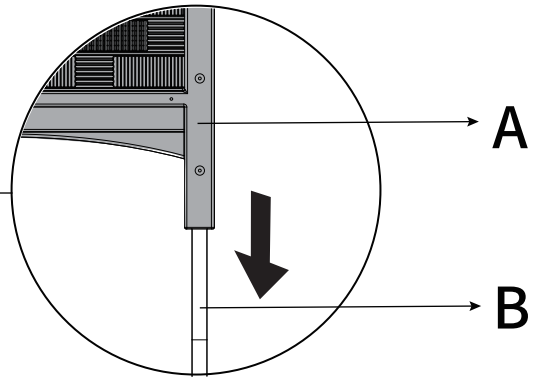
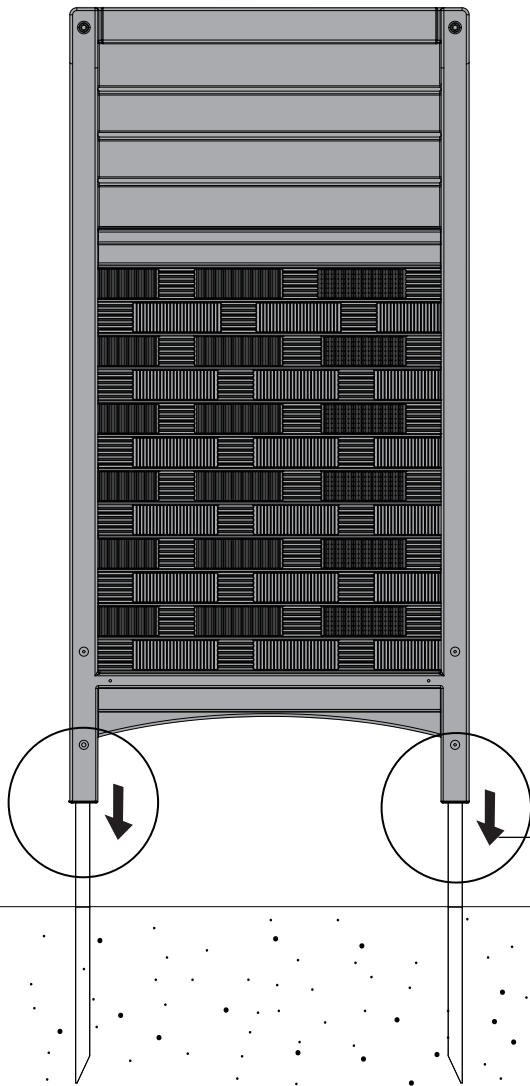
According to different arrangement of the fences, you can reuse the 2 tools to install the stakes.

Please refer to installation instruction of outdoor fence to install the fence panels

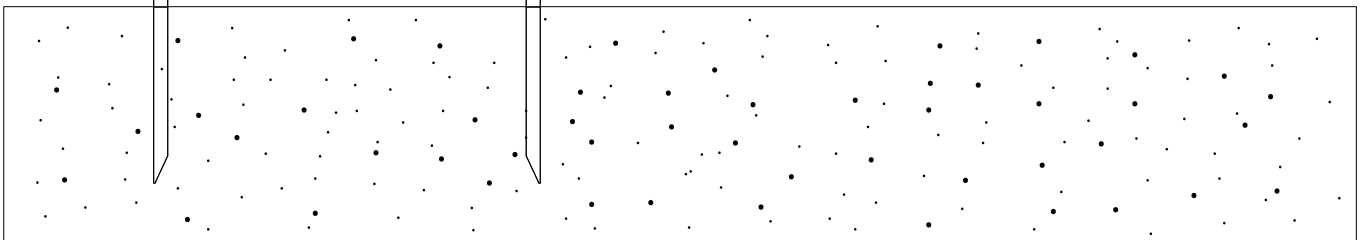
4 Put the fence on the ground from top to bottom.

 **B × 2pc**

 **A × 1pc**



Put the fence on the ground from top to bottom, and the bottom is level with red mark line of the stakes.



5

L shape connector
installation



S2 × 4 pcs



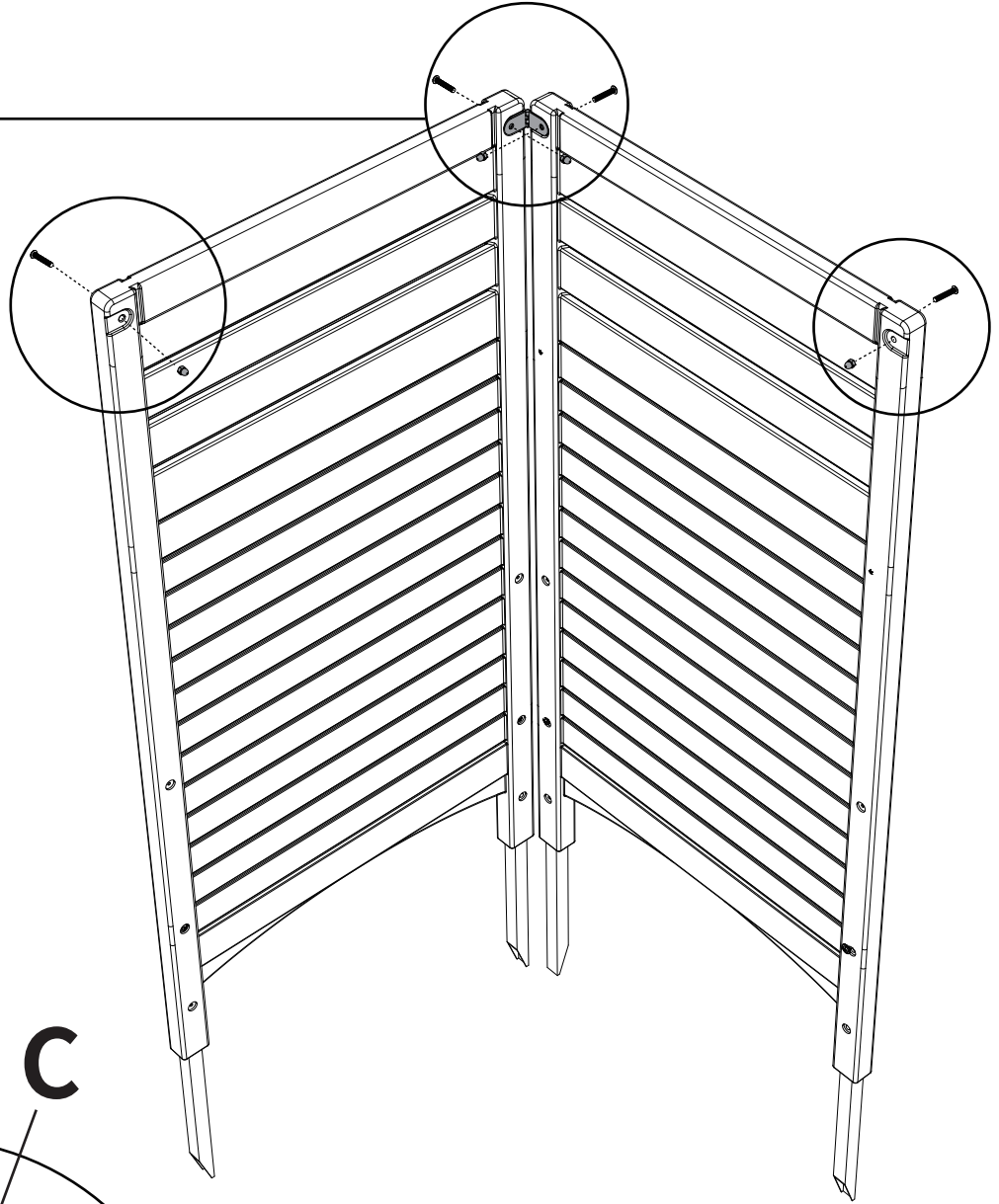
C × 1 pc



N1 × 4 pcs

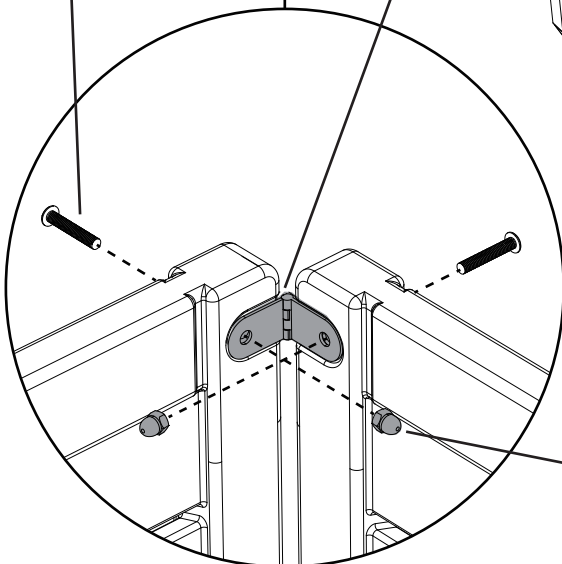


Please use a manual screwdriver to assemble the hinges to avoid the internal stationary grommet in panels turning.



S2

C



N1

6

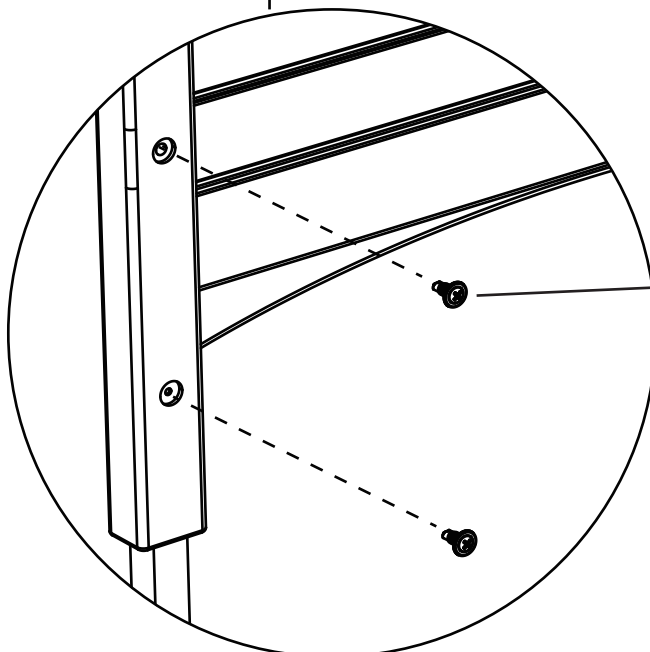
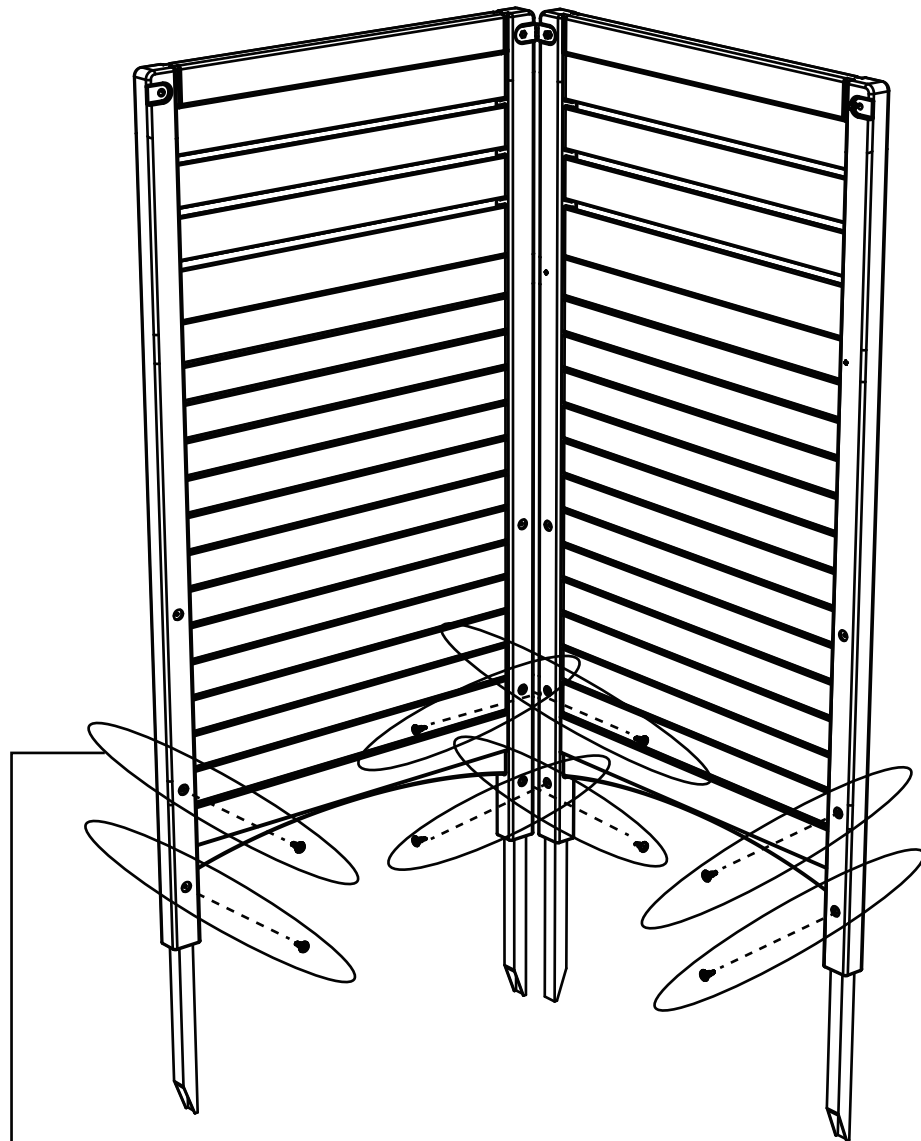
Fix the fence on the stakes with screws.



S1 × 8 pcs



Electric drill



S2

The screws can go through the metal stakes without holes.