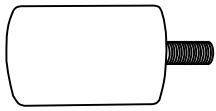


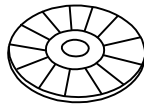
# BOX C PART LIST

(C)



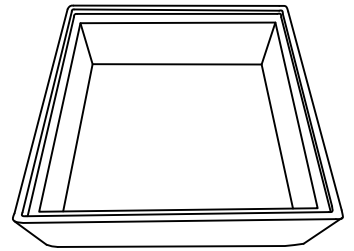
4PCS

(D)



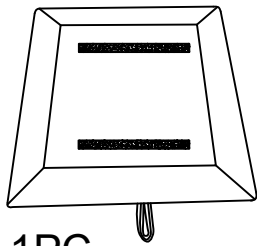
4PCS

(A)



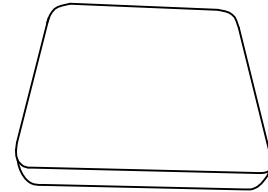
1PC

(N)



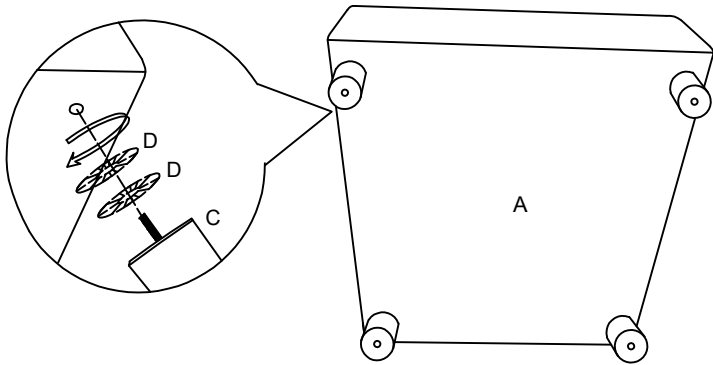
1PC

(B)

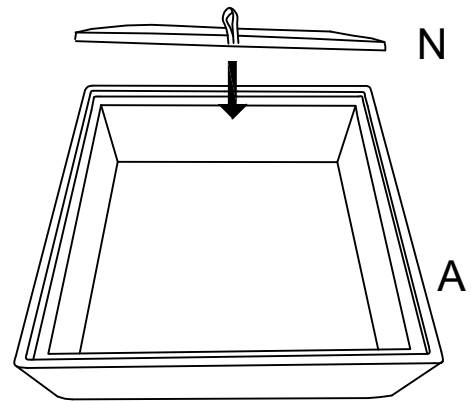


1PC

**STEP1** Screw the sofa legs C with plastic washers D into the seat frame A.

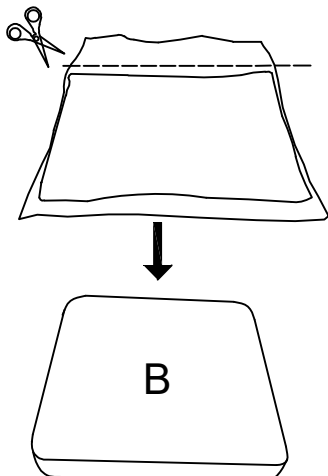


**STEP2** Place the seat plate N on the seat frame A.



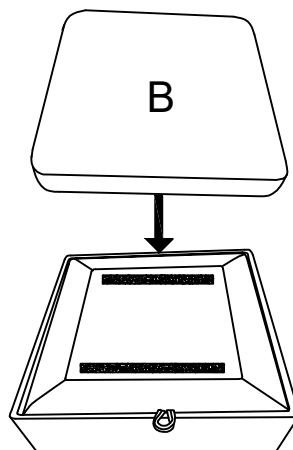
**STEP3**

If you confirmed the sofa frame fits your space and have a good feeling on seating Part A, then just go ahead to open the vacuum packages for Part B.



**STEP4**

Place the seat cushion on the sofa as shown and use the velcro on the base to securely fasten it to the body of the sofa. If the fabric is wrinkled, wait 72 hours for the cushion to fully spring back.



**STEP5**

