



Kitchen Island Cart with Wood Top

NOTE:

The instruction booklet contains **IMPORTANT** safety information Please read and keep for future reference.

OUR BRAND

We have been dedicated to providing customers with quality products and exceptional service and has prospered into one of the nation's largest retailers of indoor and outdoor home décor. Every our product is carefully selected to ensure they meet our standards as well as your standards. We believe quality should never be determined by price which is why we are committed to providing high end merchandise at the absolute lowest cost.



Estimated Time for Assembly

120 mins



Weight Limitation

118 Shelf

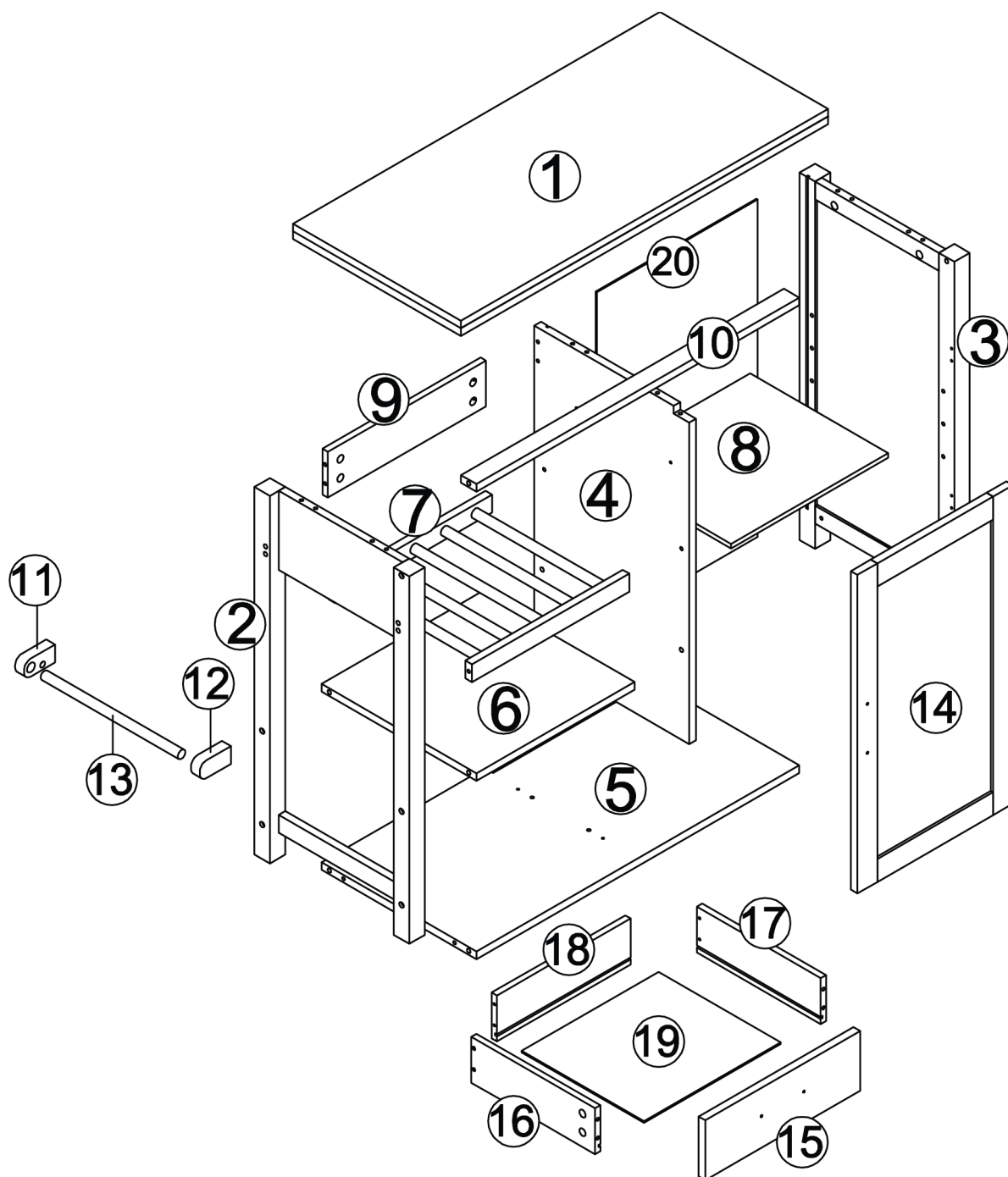
13 Drawer

132 Top

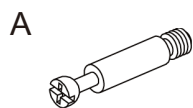
Tools Needed (Not included)



PACKAGE CONTENT



PACKAGE CONTENT



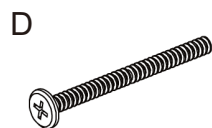
15x



15x



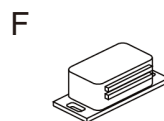
18x
6x30mm



12x
5x60mm



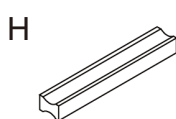
12x



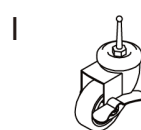
1x



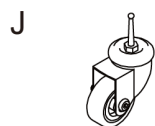
4x
4x20mm



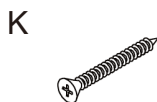
2x



2x



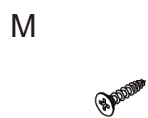
2x



2x
4x35mm



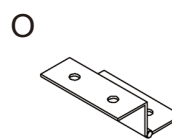
4x
4x30mm



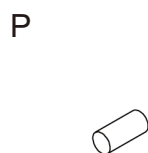
17x
3x12mm



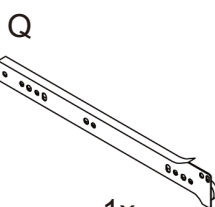
1x



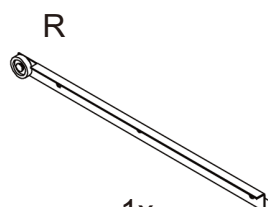
2x



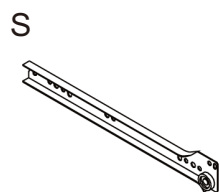
4x



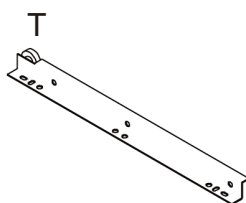
1x



1x



1x

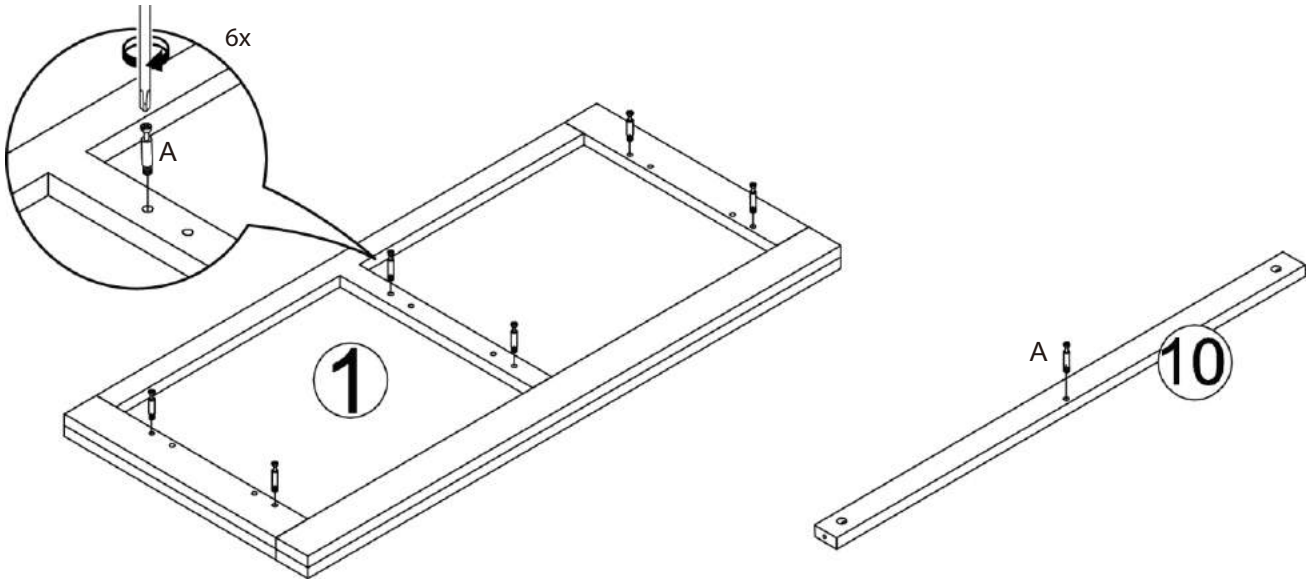


1x

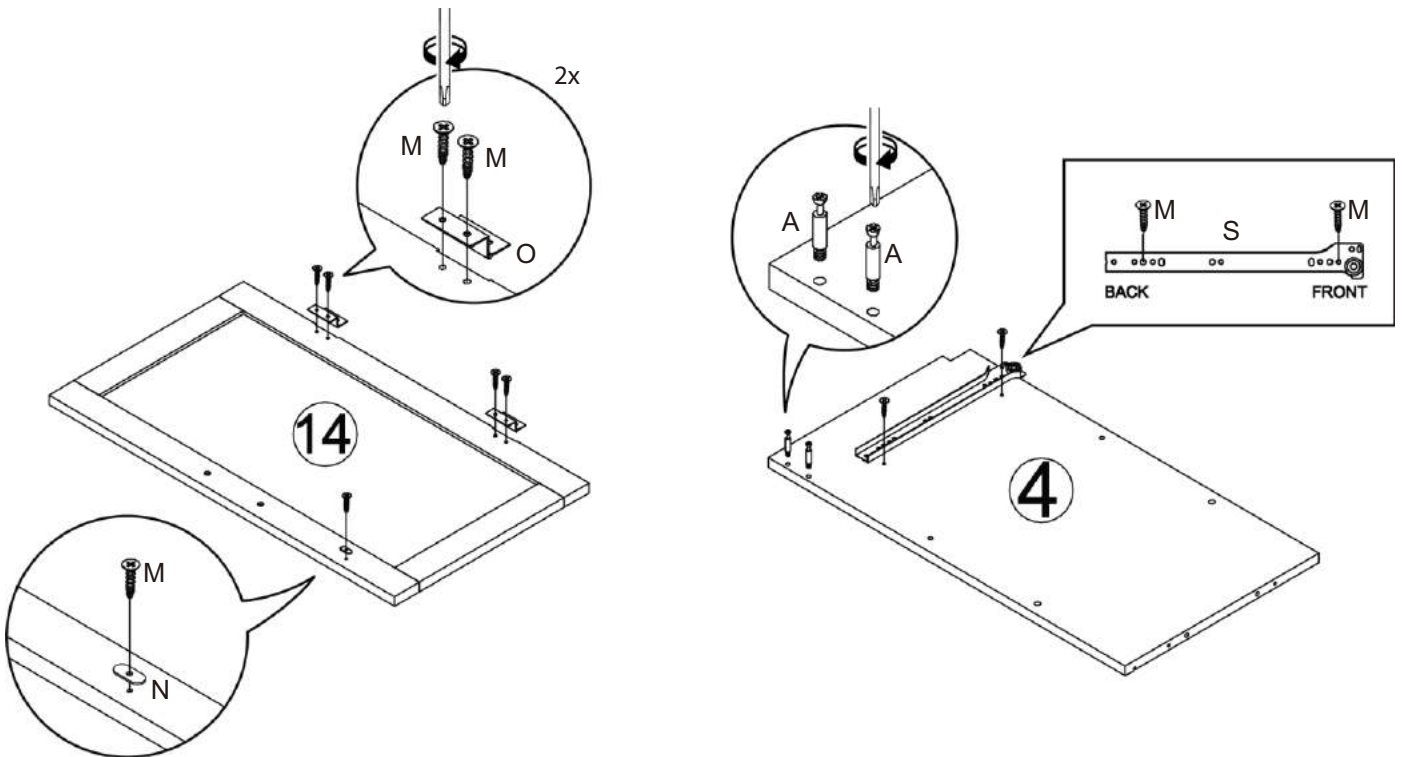


2x
3x14mm

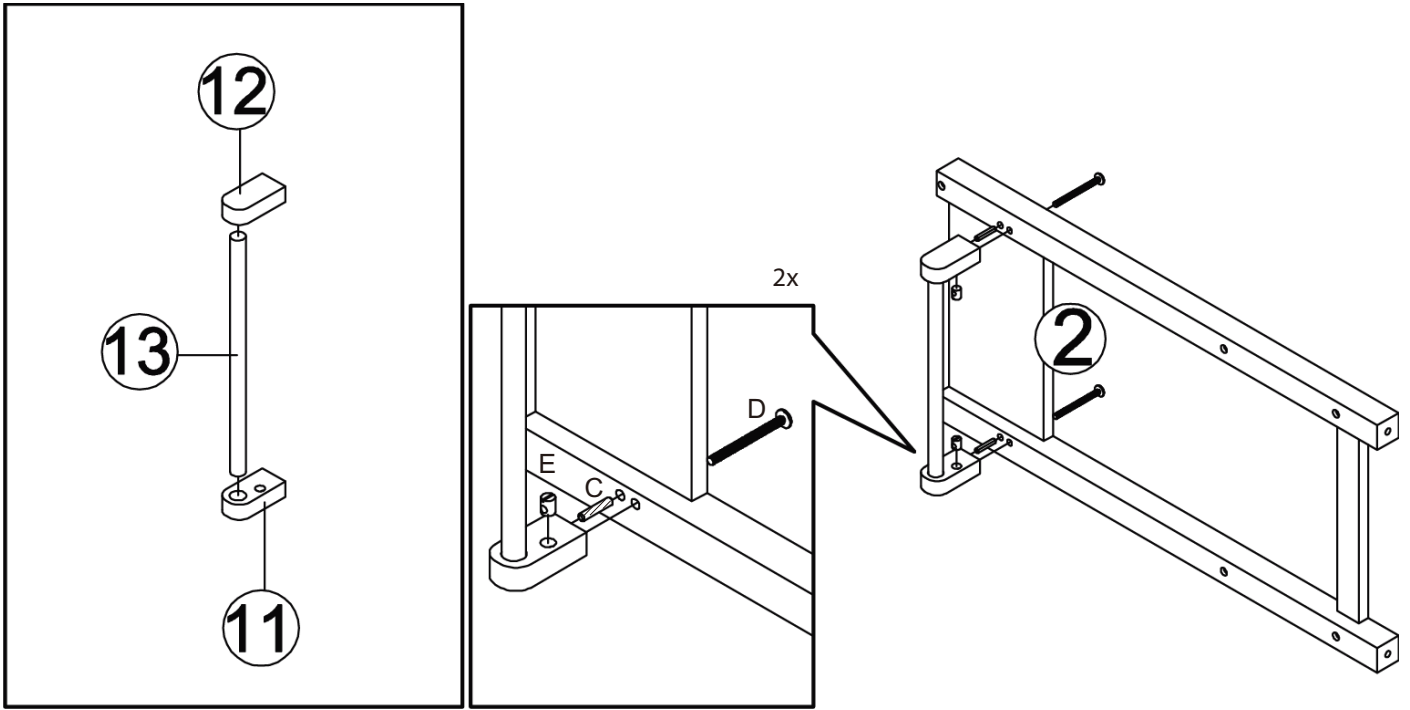
1



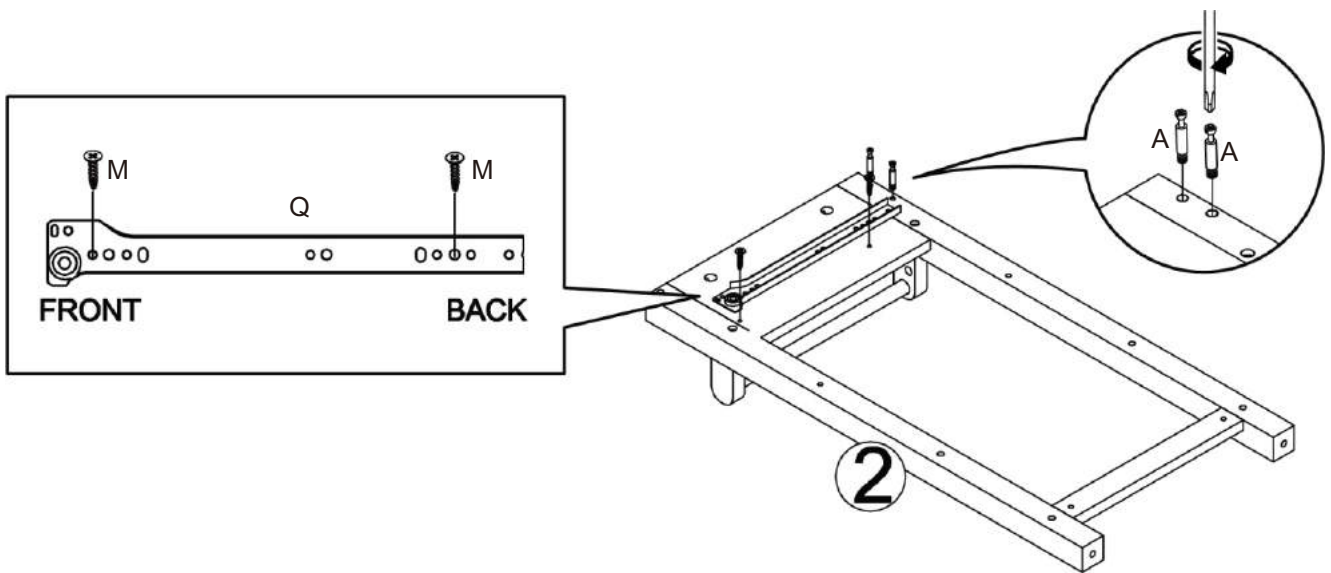
2



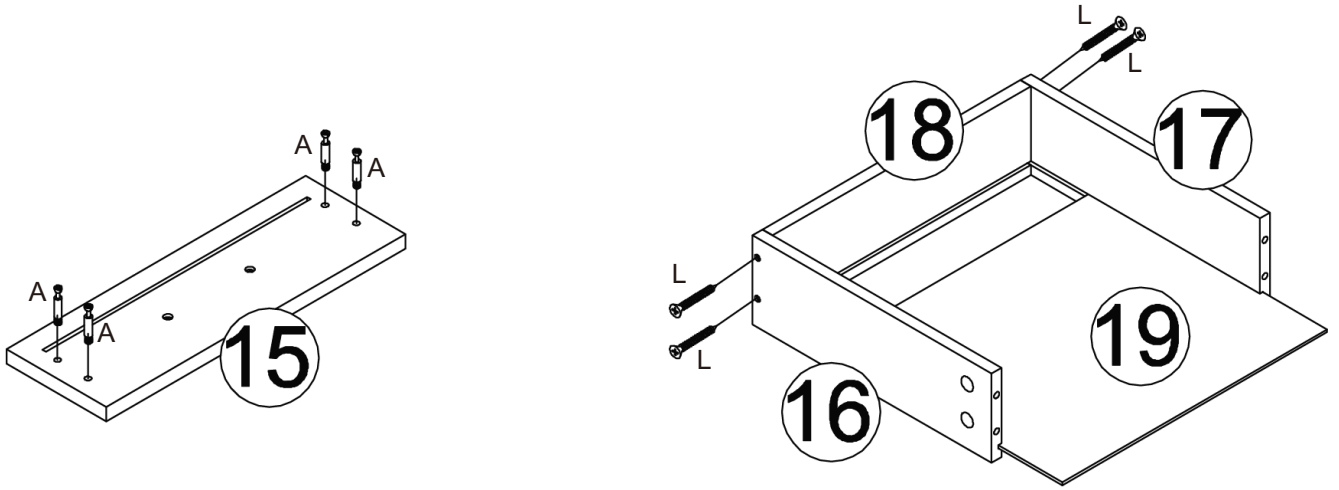
3



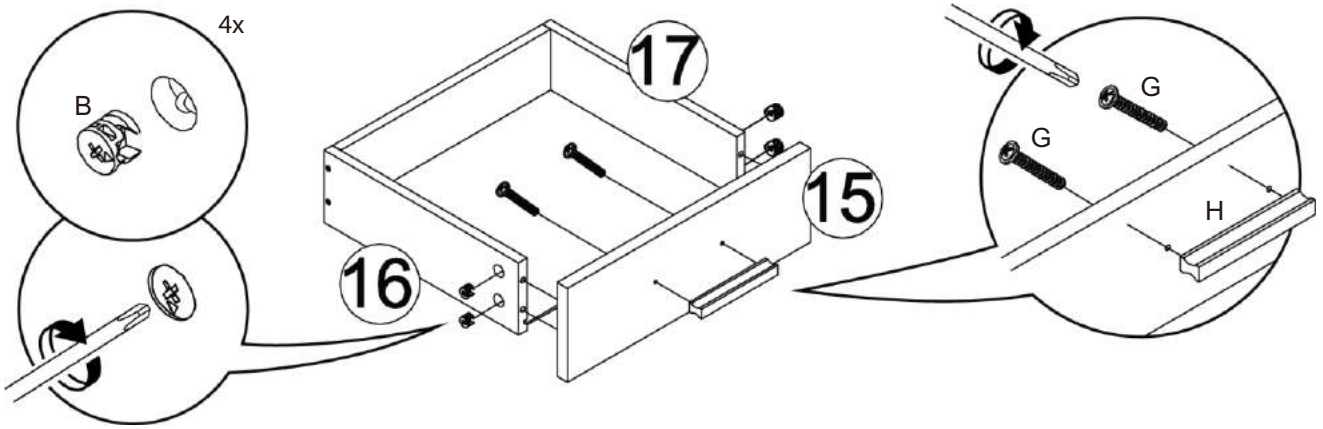
4



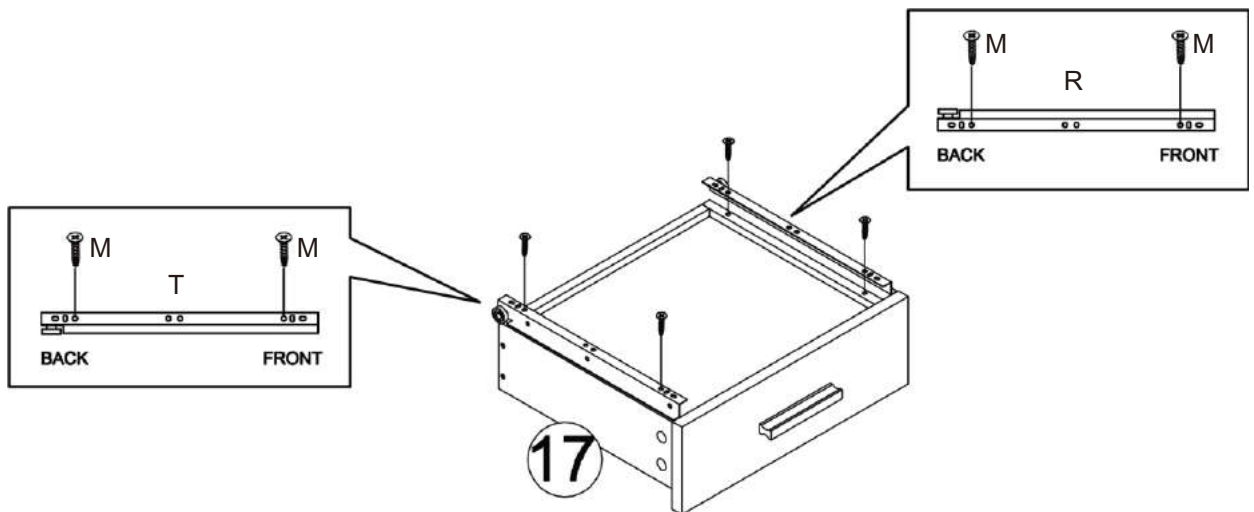
5



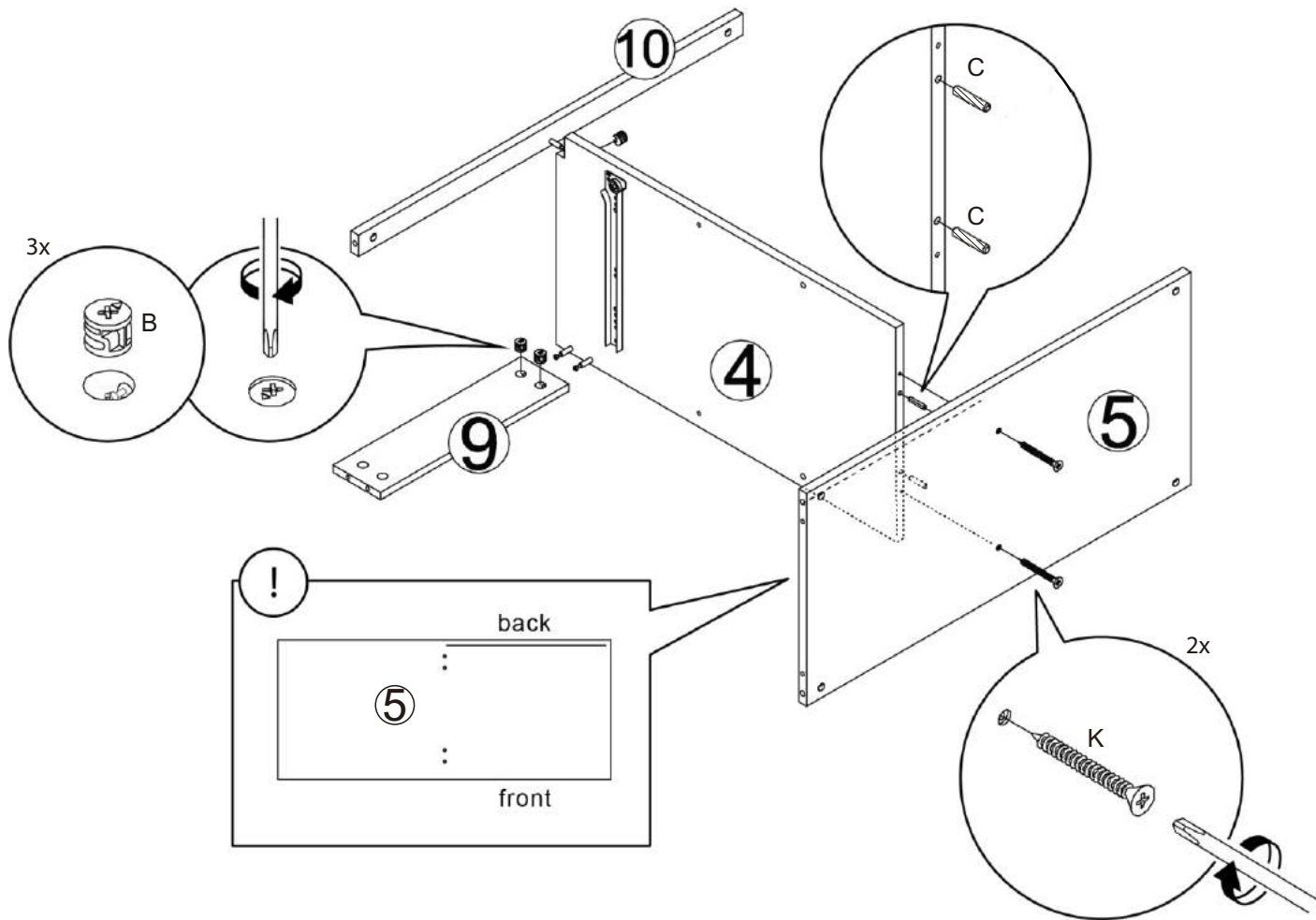
6



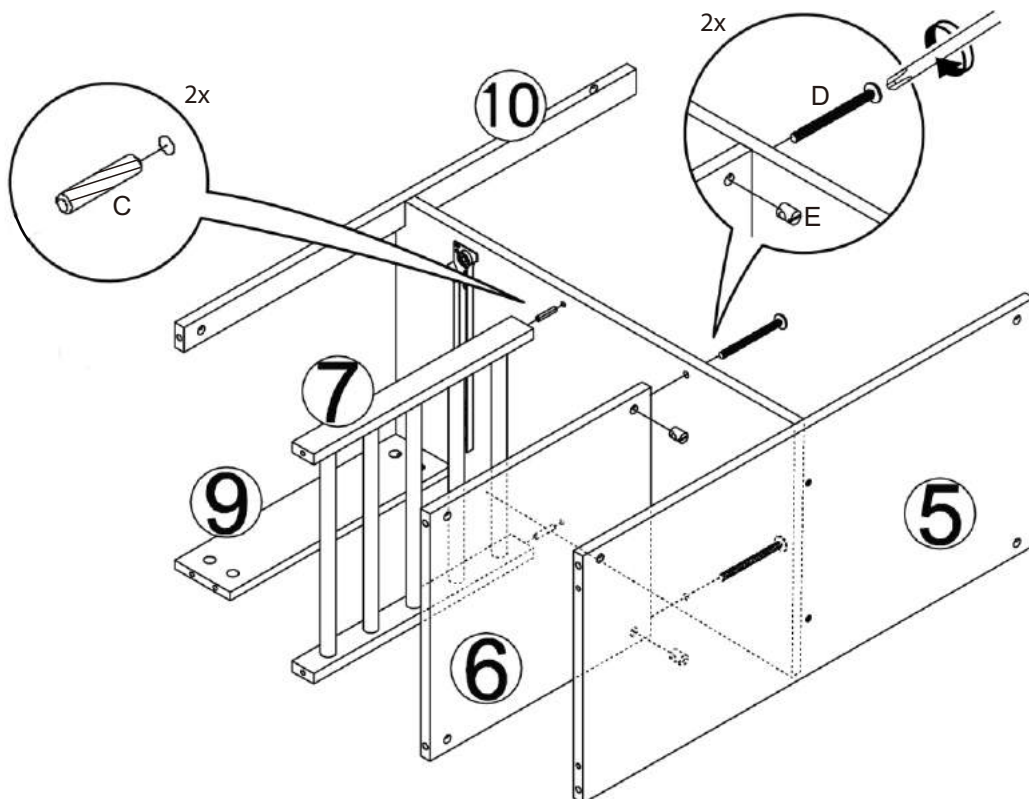
7



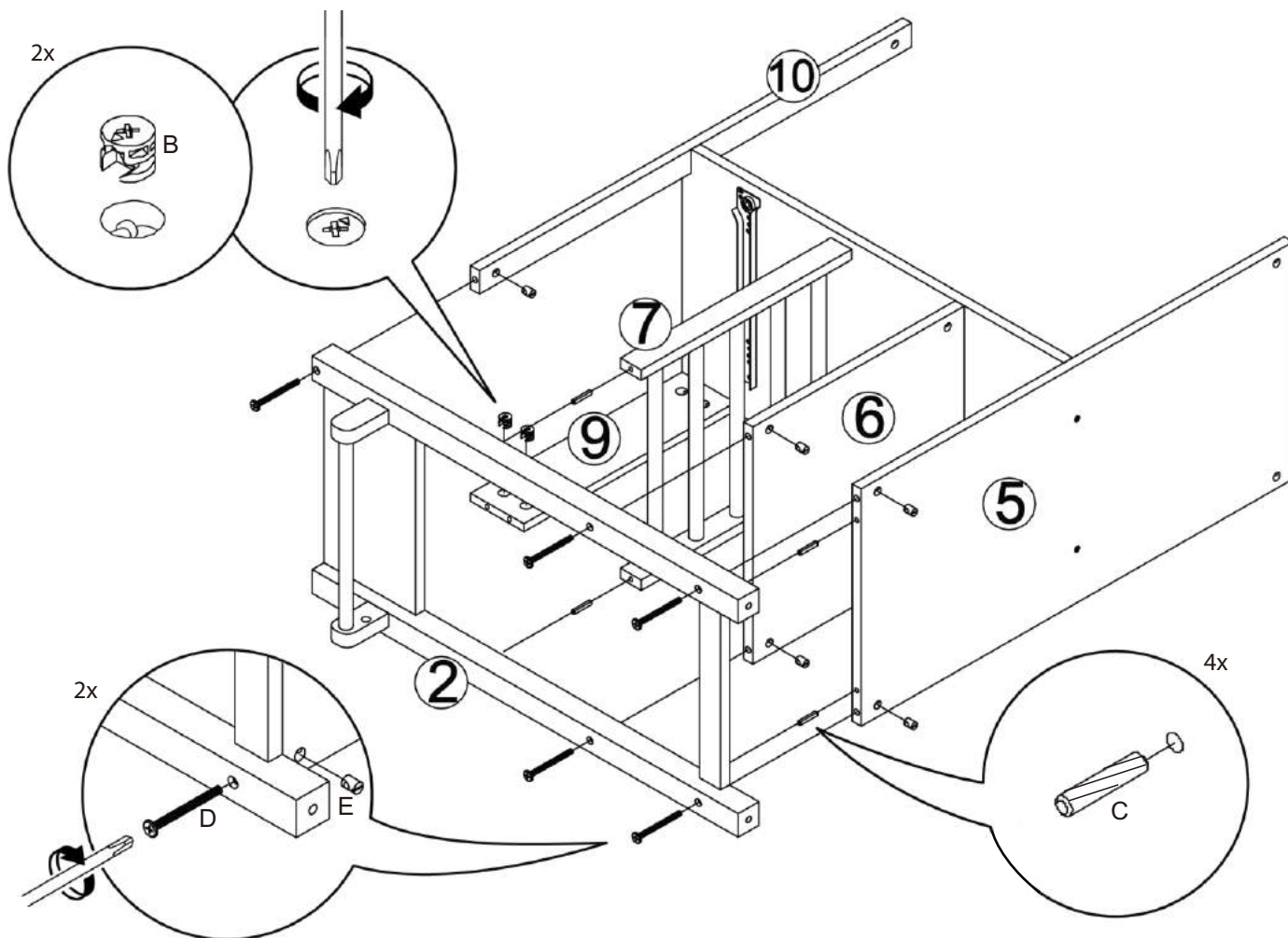
8



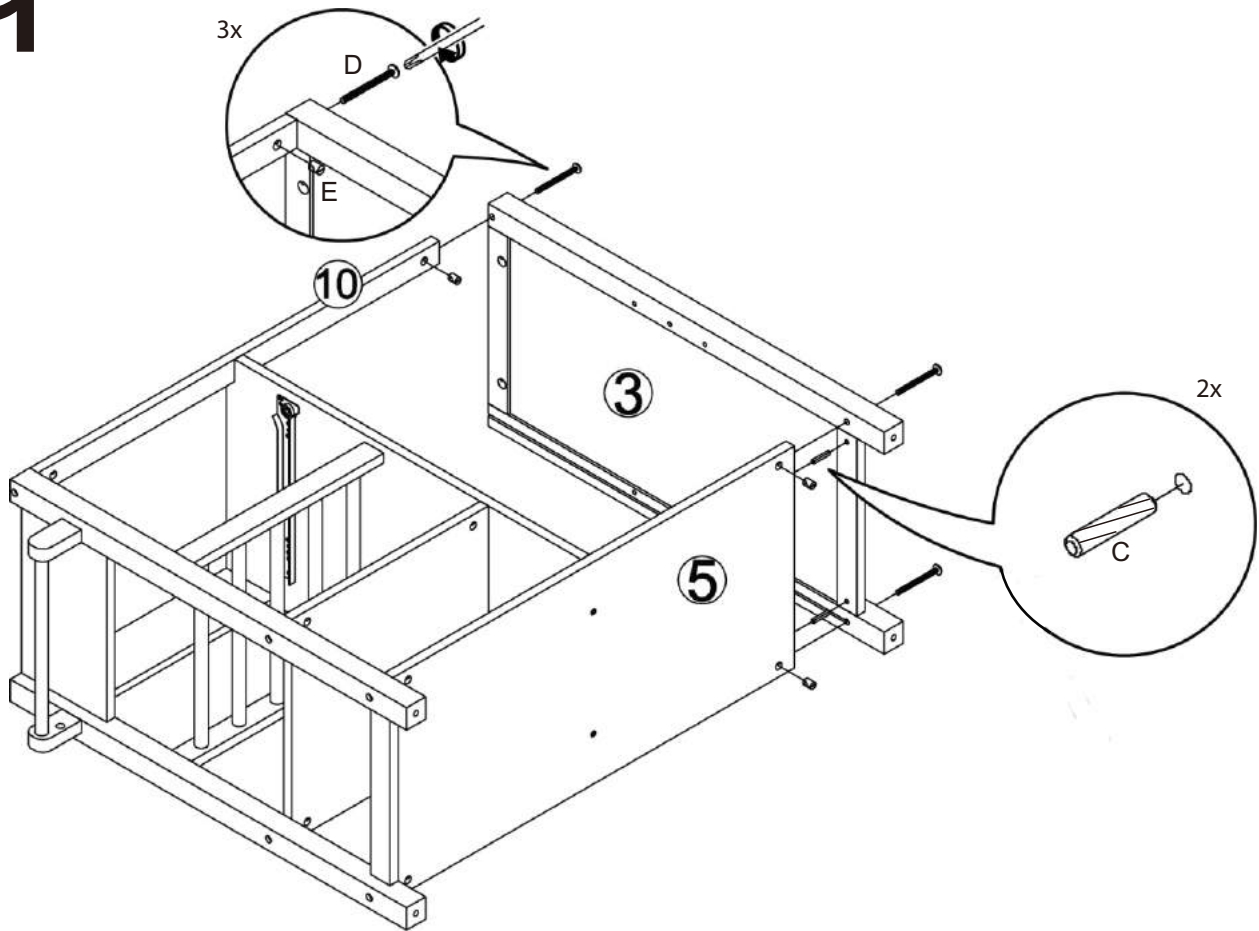
9



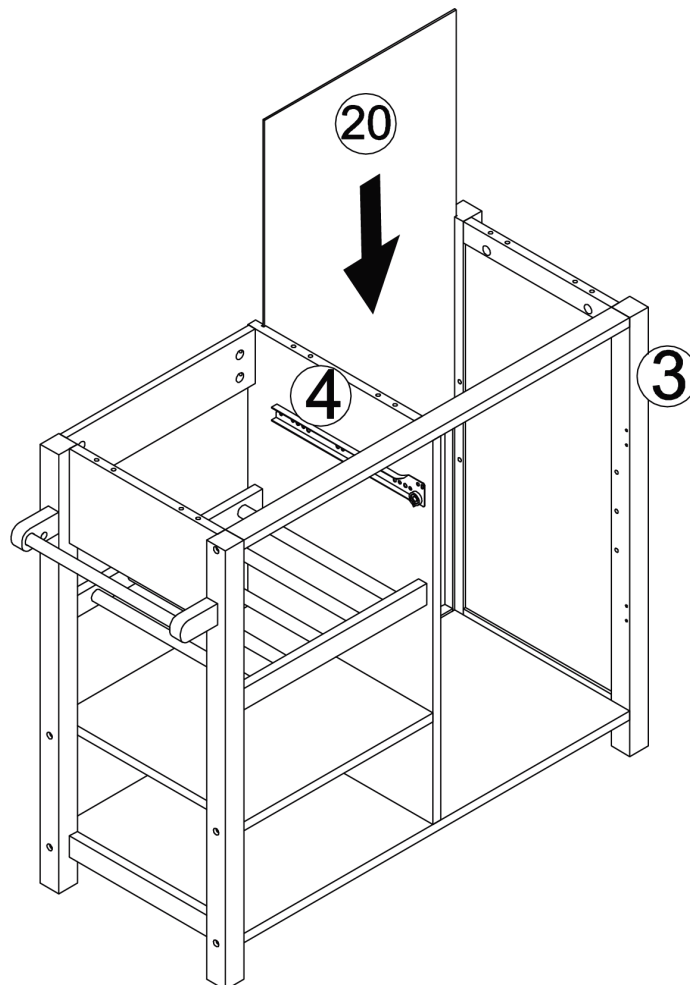
10



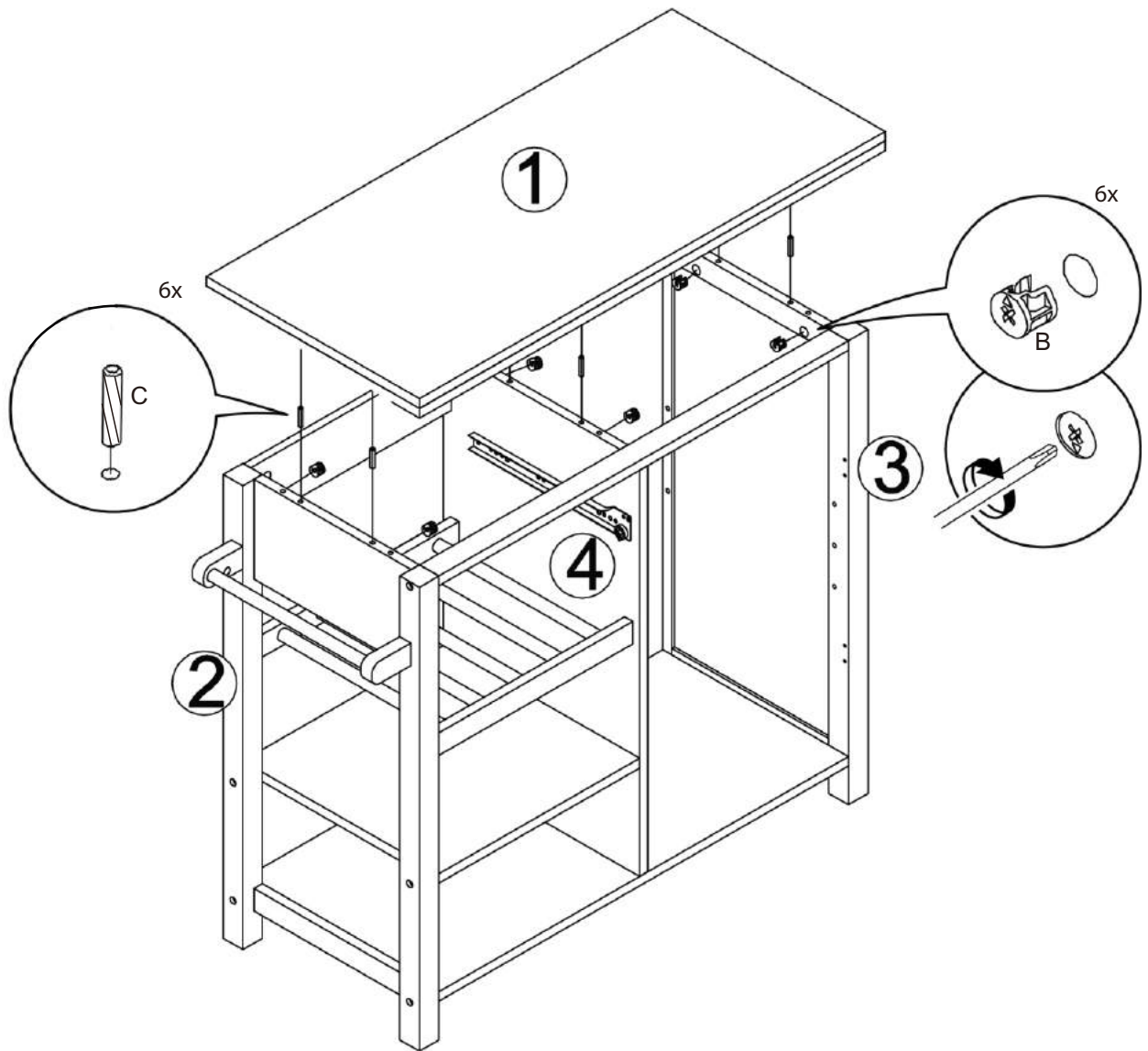
11



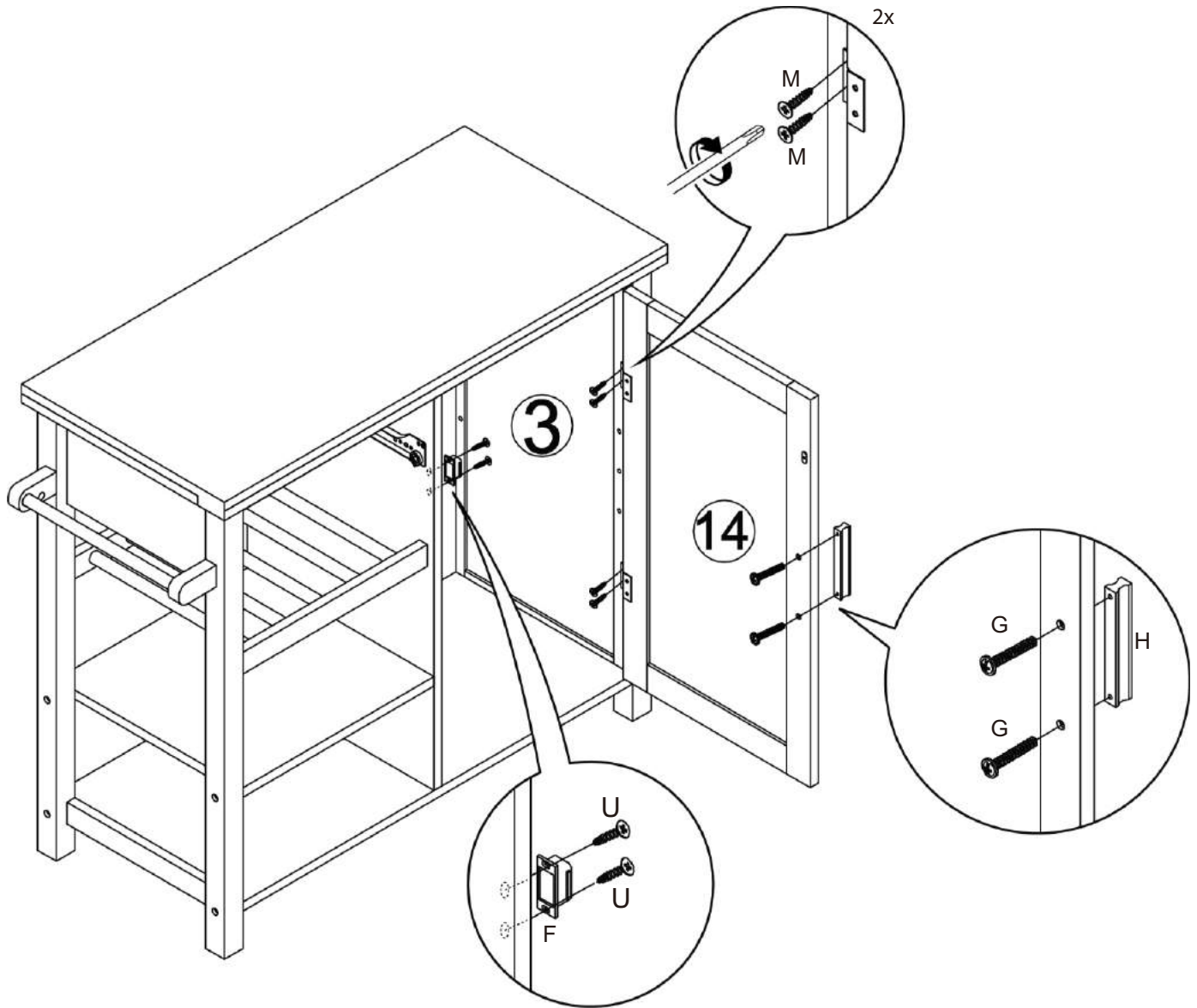
12



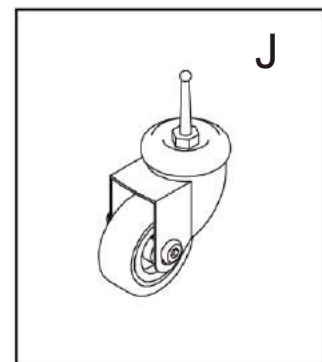
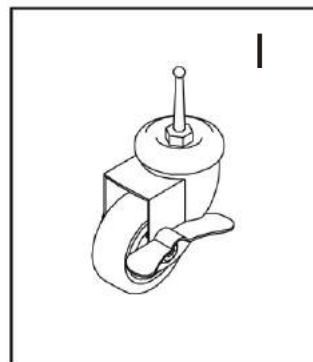
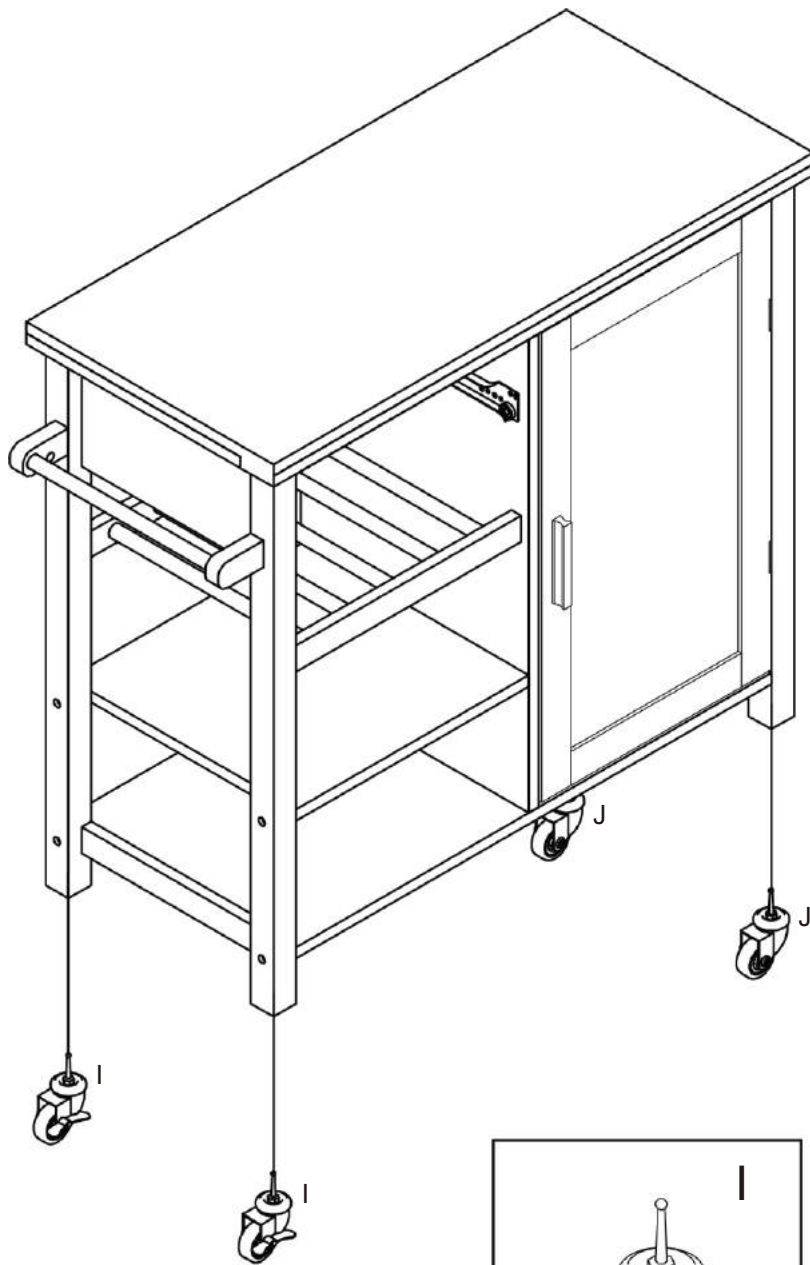
13



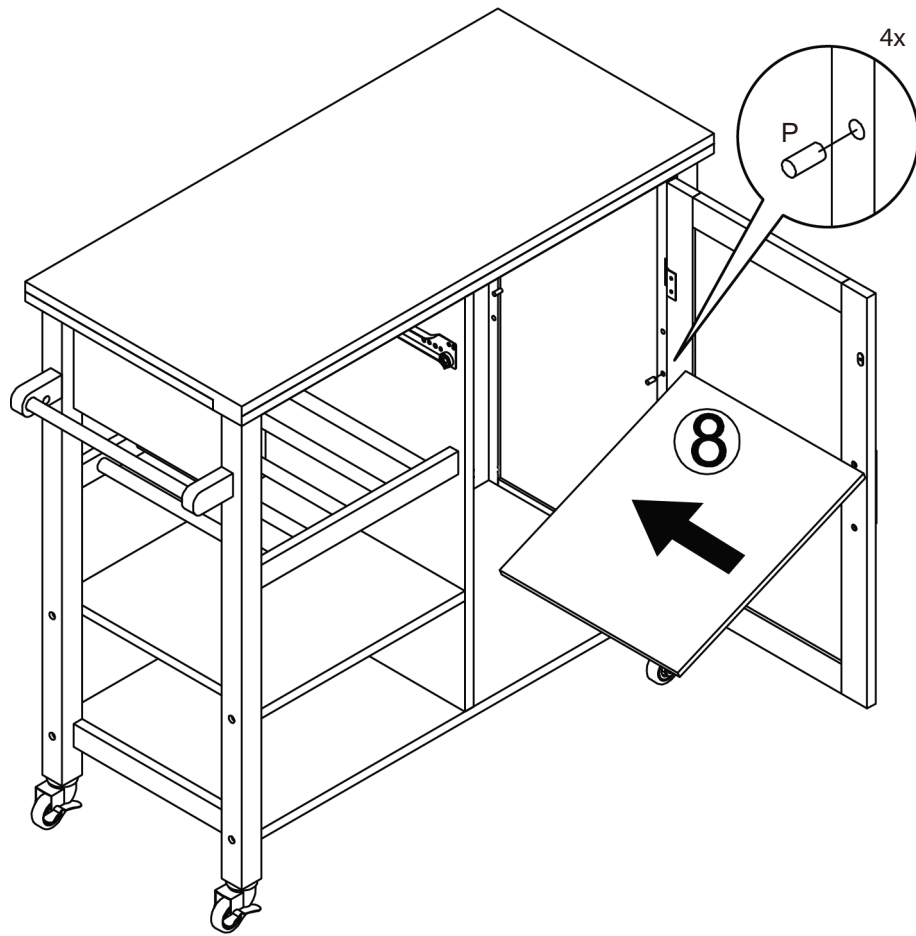
14



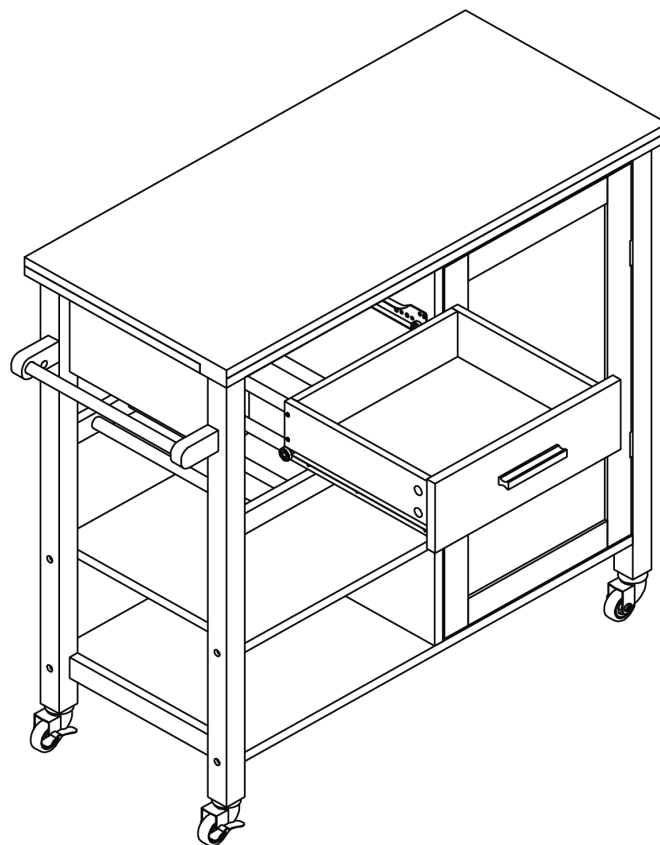
15



16



17



FINISH!

Warranty

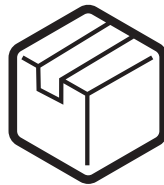
We product come with a 1 year warranty from the date of purchase. In any event that the product arrives damaged or missing parts, we are more than happy to provide you with replacement part(s).
Register your product on our website to enjoy extended warranty!!

Easy Return

We work hard to make sure order arrives safe and secure, but rest assured we will take care of it if it is not up to standard. If you need replacement parts, Contact us or email us, we will send you replacements with no hassle.



Contact Us



Replacement



You

You don't have to worry about re-packaging / schedule pick-up.

We hope you enjoy your new our furniture!