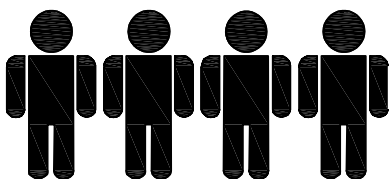
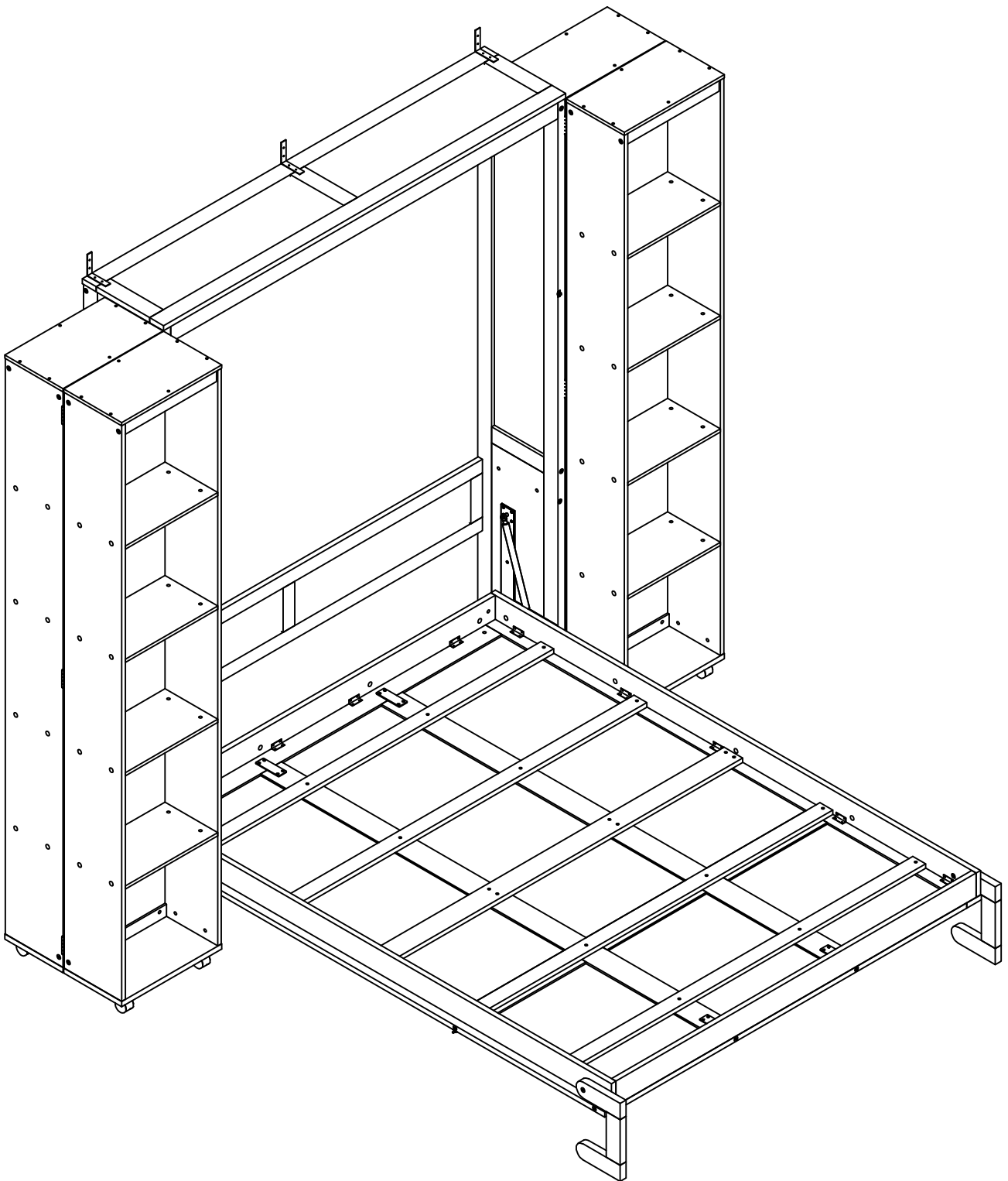
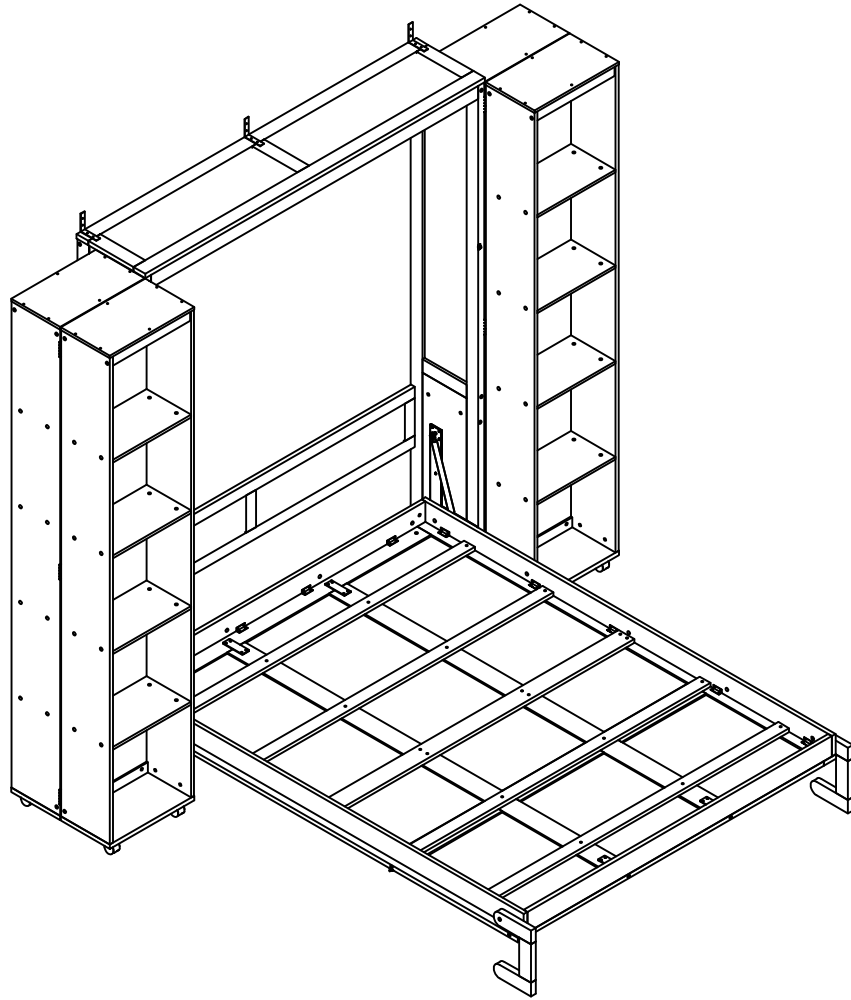


ASSEMBLY INSTRUCTION

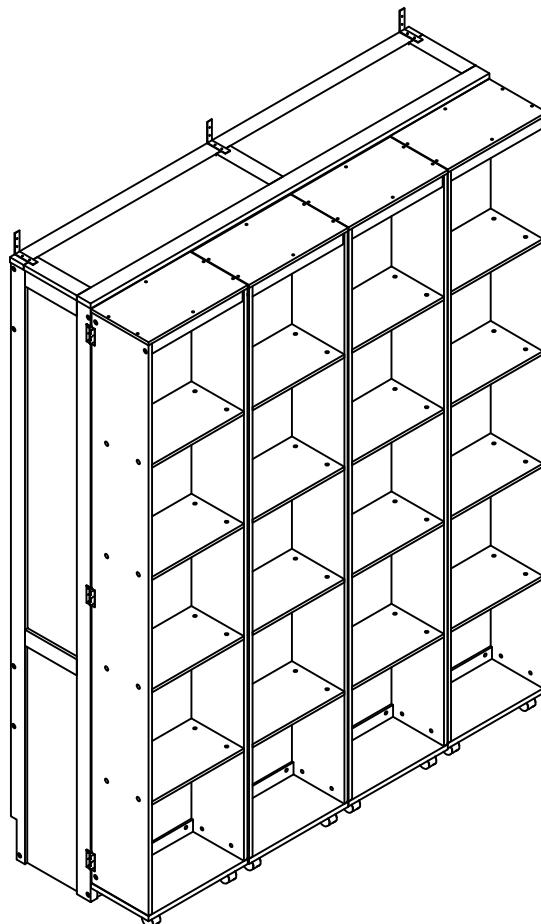


Four people are required to assemble and move this model.

OPTION 1:



OPTION 2:



WARNING.

IMPORTANT SAFETY REQUIREMENTS - Bed Attachment to Wall. For Your Safety, the Murphy Bed MUST BE ATTACHED to the Wall.

Seek Certified Professional Consultant / Contractors for their Services to:

- 1.) DETERMINE the WALL Type in Your Home;
- 2.) PRECISE HARDWARE that suits to the Wall Type in Your Home;
- 3.) INSTALL/ATTACH of the Murphy Bed to the Wall in Your Home;
- 4.) VALIDATE the Murphy Bed is appropriately and securely installed/attached.

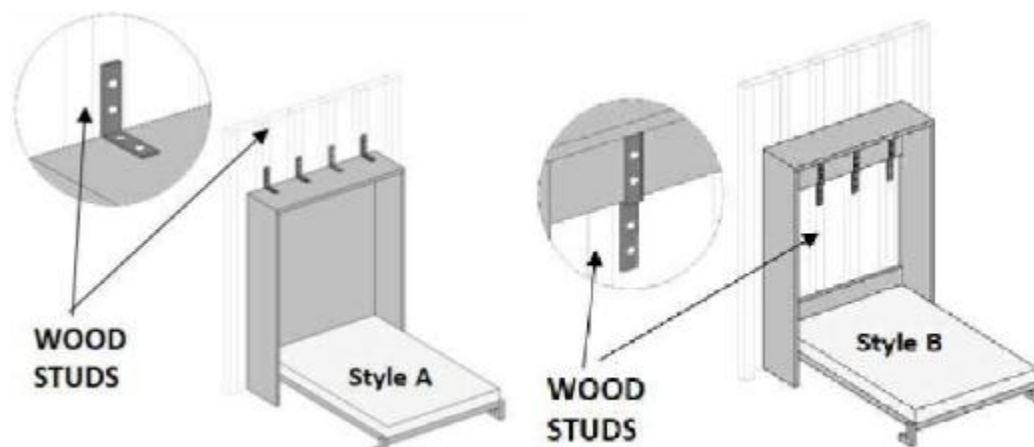
The choice of wall anchoring hardware depends on the type of wall. This Murphy Bed is delivered with HARDWARE SCREWS suited for attachment to WOOD STUDS in walls. Any STUDS type detected with your Consultant-Contractors to be NOT WOOD STUDS - DISCARD and DO NOT USE these SCREWS. Use the hardware suitable for your wall material.

Seek the professional advice of your Consultant-Contractor and procure the appropriate hardware and brackets for the attachment of the Murphy Bed to the Wall.

FAILURE TO ADHERE TO THE ABOVE INSTRUCTIONS MAY RESULT IN SERIOUS and/or SEVERE INJURIES or Death caused by the detachment of the Murphy Bed from the Wall.

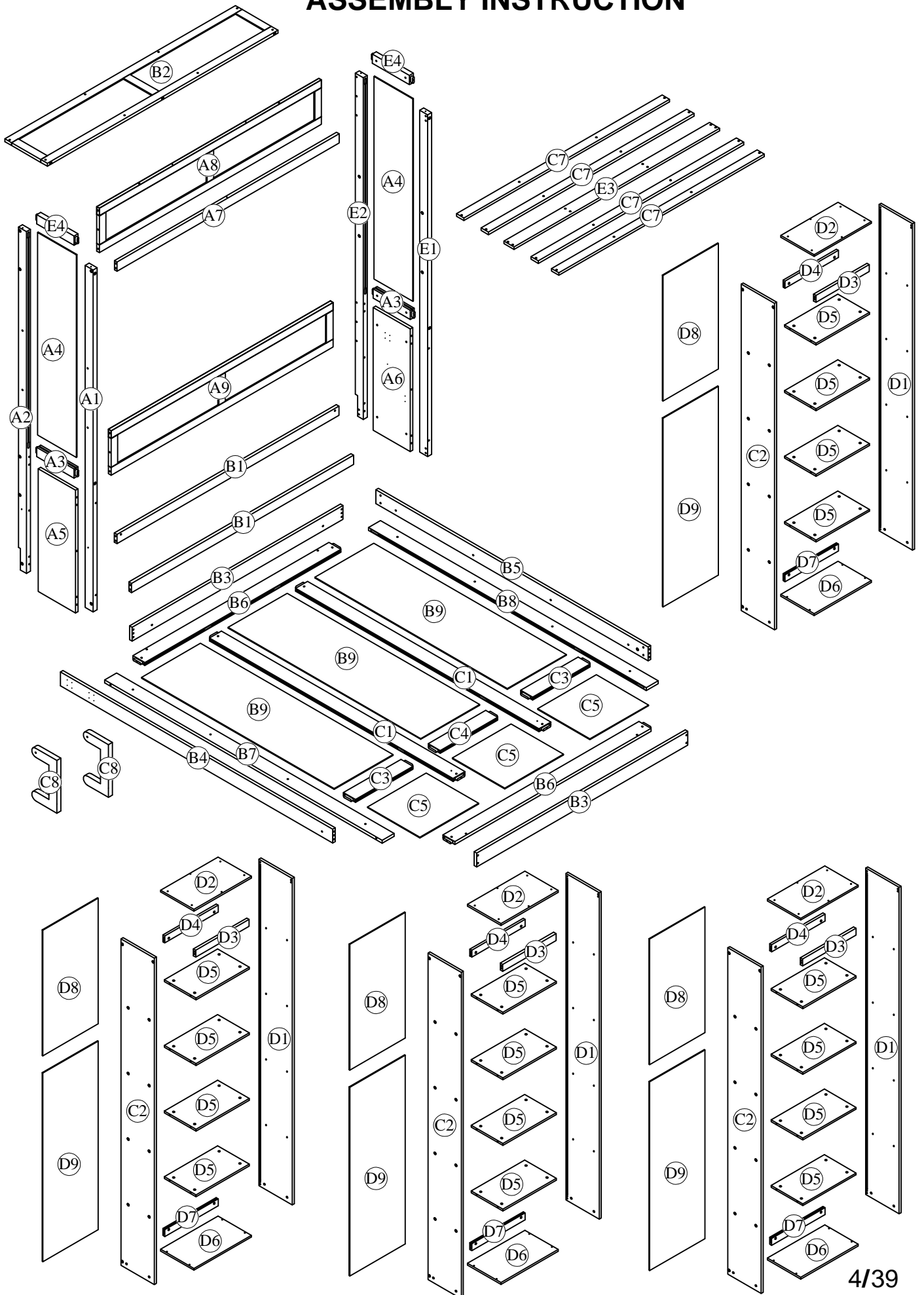
SAFETY PRECAUTION:

- 1.) MAXIMUM Mattress Weight suited to your murphy bed : 77 lbs (35 kg);
MAXIMUM mattress thickness: 8 inches (20 cm);
- 2.) ENSURE ADULTS ONLY throughout the entire assembly and attachment.
- 3.) KEEP ALL Children, Non-Ambulatory persons and Pets at bay during the entire assembly and attachment.



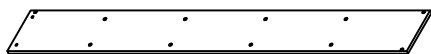
LINE ART for Reference only and
NOT DRAWN TO SCALE.

ASSEMBLY INSTRUCTION



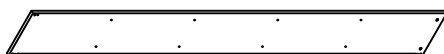
Part List (Box 1)

C2





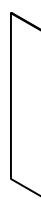
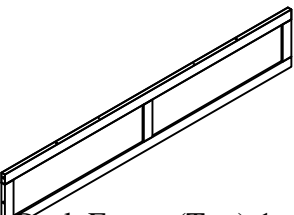
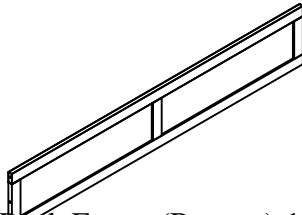
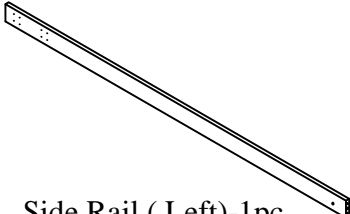
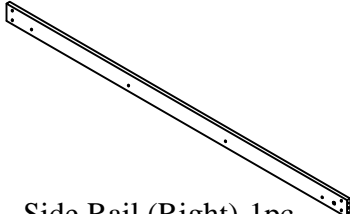
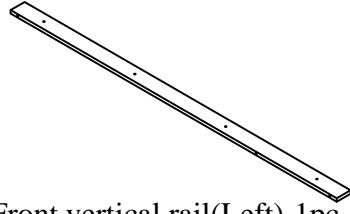
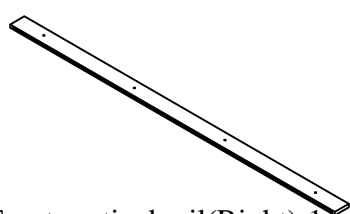

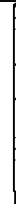
Left side Panel-4pcs

D1



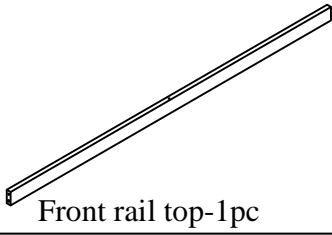
Right side Panel-4pcs

Part List (Box 2)

<p>A1</p>  <p>Front leg Left -1pc</p>	<p>A2</p>  <p>Back leg Left-1pc</p>	<p>A4</p>  <p>Side Panel-2pcs</p>
<p>A8</p>  <p>Back Frame (Top)-1pc</p>	<p>A9</p>  <p>Back Frame (Bottom)-1pc</p>	<p>B4</p>  <p>Side Rail (Left)-1pc</p>
<p>B5</p>  <p>Side Rail (Right)-1pc</p>	<p>B7</p>  <p>Front vertical rail(Left)-1pc</p>	<p>B8</p>  <p>Front vertical rail(Right)-1pc</p>
<p>E1</p>  <p>Front leg Right-1pc</p>	<p>E2</p>  <p>Back leg Right-1pc</p>	

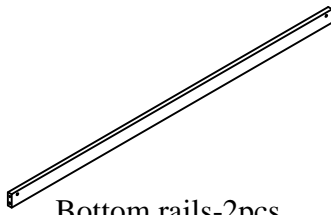
Part List & Hardware List (Box 3)

A7



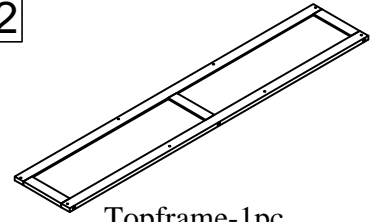
Front rail top-1pc

B1



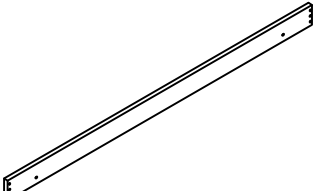
Bottom rails-2pcs

B2



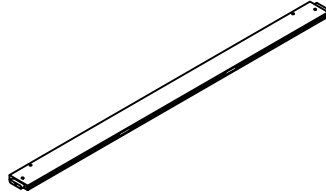
Topframe-1pc

B3



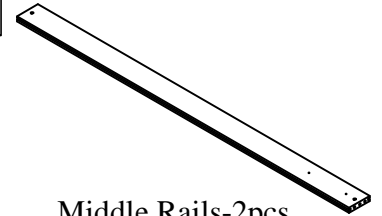
Horizontal rail(Front)-2pcs

B6



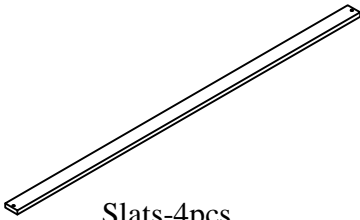
Horizontal rail(Front)-2pcs

C1



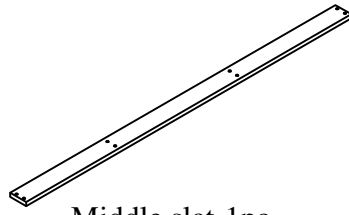
Middle Rails-2pcs

C7



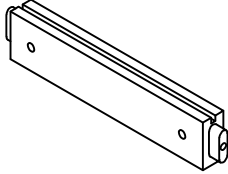
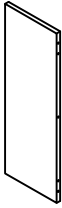

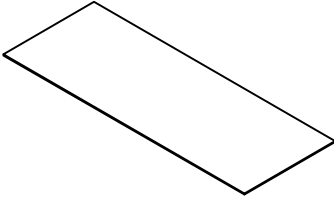
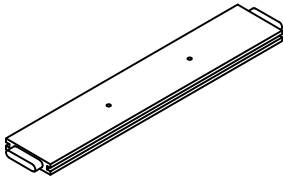
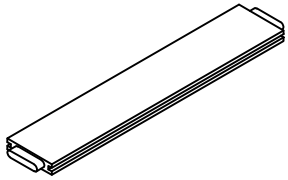
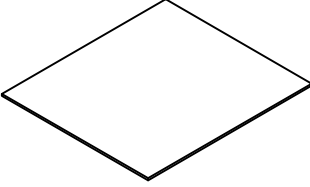
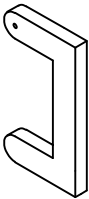
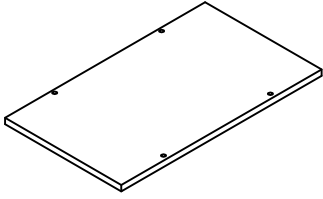
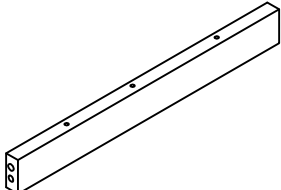
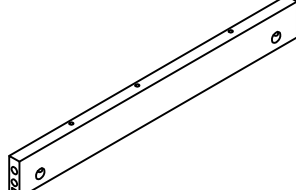
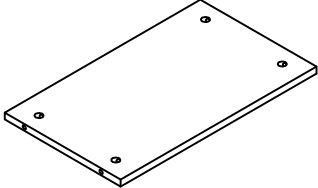
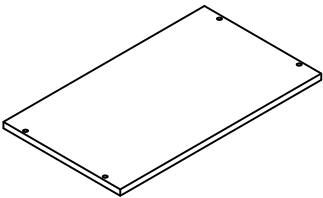
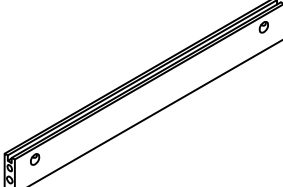


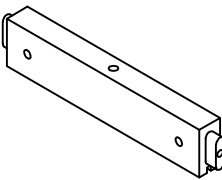
Slats-4pcs

E3

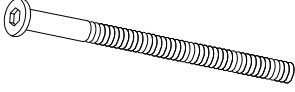

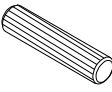
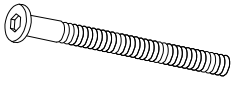
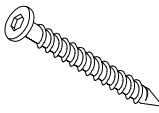
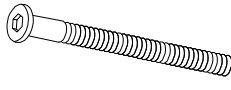
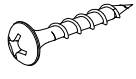
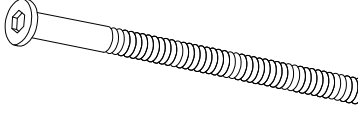
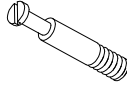

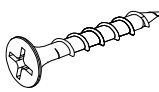
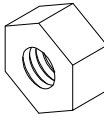
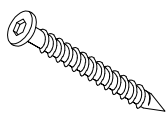
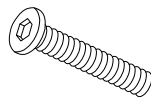

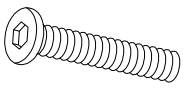

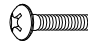


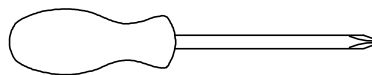
Middle slat-1pc

Part List & Hardware List (Box 4)

<p>A3</p>  <p>Horizontal rail (Middle)-2pcs</p>	<p>A5</p>  <p>Left Panel (Bottom)-1pc</p>	<p>A6</p>  <p>Right Panel (Bottom)-1pc</p>
<p>B9</p>  <p>Front Panel(Bottom)-3pcs</p>	<p>C3</p>  <p>Crossbar-2pcs</p>	<p>C4</p>  <p>Middle Crossbar-1pc</p>
<p>C5</p>  <p>Front Panel(Top)-3pcs</p>	<p>C8</p>  <p>Woodleg-2pcs</p>	<p>D2</p>  <p>Top panel-4pcs</p>
<p>D3</p>  <p>Front Rail (top)-4pcs</p>	<p>D4</p>  <p>Back Rail (Top)-4pcs</p>	<p>D5</p>  <p>Shelf Panel-16pcs</p>
<p>D6</p>  <p>Bottom panel-4pcs</p>	<p>D7</p>  <p>Back Rail(Bottom)-4pcs</p>	<p>D8</p>  <p>Back panel (Top)-4pcs</p>
<p>D9</p>  <p>Back panel (bottom)-4pcs</p>	<p>E4</p>  <p>Horizontal rail (Top)-2pcs</p>	

Hardware List (Box 2)

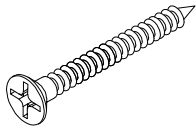
<p>1</p>  <p>Ø1/4" x 100 mm Hex-Head bolts 18pcs</p>	<p>2</p>  <p>Ø1/4" x 12 mm Horizontal-Hole bolts 162pcs</p>	<p>3</p>  <p>Ø8 x 30 mm Wood dowel 154pcs</p>
<p>4</p>  <p>Ø1/4" x 80 mm Hex-Head bolts 2pcs</p>	<p>5</p>  <p>Screws Ø6.5 x40 8pcs</p>	<p>7</p>  <p>Ø1/4" x 70 mm Hex-Head bolts 18pcs</p>
<p>8</p>  <p>M4 x 15 mm Wood Screws 88pcs</p>	<p>9</p>  <p>Ø1/4" x 120 mm Hex-Head bolts 4pcs</p>	<p>10</p>  <p>Cam Bolt 22pcs</p>
<p>11</p>  <p>Cam Lock 22pcs</p>	<p>13</p>  <p>M4 x 20 mm Wood Screws 62pc</p>	<p>14</p>  <p>Nut - 4pcs</p>
<p>15</p>  <p>Screws Ø6.5 x35 8pcs</p>	<p>16</p>  <p>Ø1/3" x 40 mm Hex-Head bolts 2pcs</p>	<p>17</p>  <p>Ø1/4" x 15 mm T-nut 2pcs</p>
<p>18</p>  <p>Ø1/4" x 40 mm Hex-Head bolts 2pcs</p>	<p>19</p>  <p>Ø20 / Ø6 x 2 mm Washer 2pcs</p>	<p>21</p>  <p>Bolt 5/32" x 25 mm 4pcs</p>



Assembly Tools Required (Not Included)

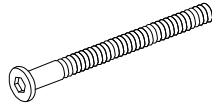
Hardware List (Box 2)

23



M5 x 50 mm
Wood Screws 10pcs

24



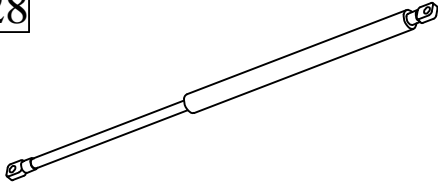
Ø1/4" x 60 mm
Hex-Head bolts 120pcs

27



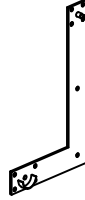
M3.5 x 12 mm
Wood Screws 144pcs

28



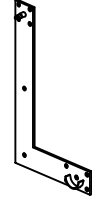
Piston Steam - 2pcs

29



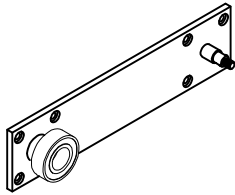
Metal Corner Left - 1pc

30



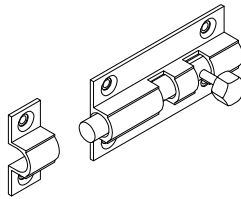
Metal Corner Right - 1pc

31



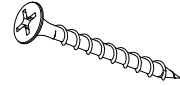
Metal Panel Link - 2pcs

33



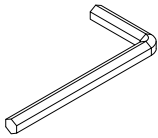
Barrel Bolt Latch - 2pcs

34

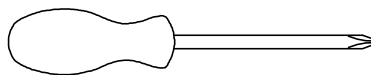


M4 x 30 mm
Wood Screws 24pc

35



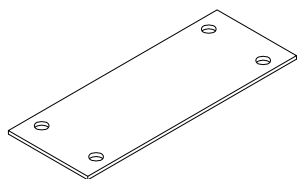
Allen Key 4pcs



Assembly Tools Required (Not Included)

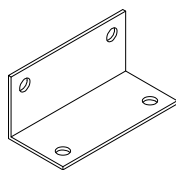
Hardware List (Box 3)

6



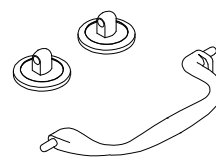
Straight Steel Panel 4pcs

12



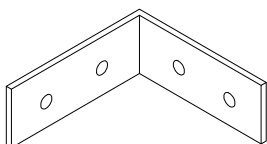
Metal Angle - 18pcs

20



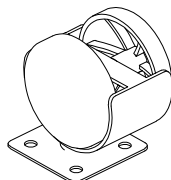
Handle - 2pcs

22



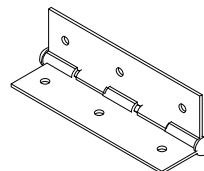
Metal Angle - 3pcs

25



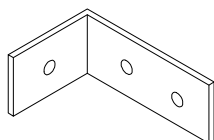
Rotationable Wheel - 8pcs

26



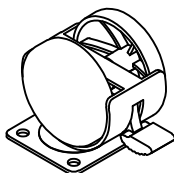
Leaf Hinge - 16pcs

32

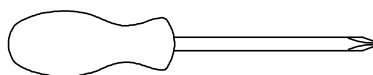


Metal Angle - 4pcs

36



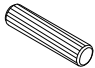



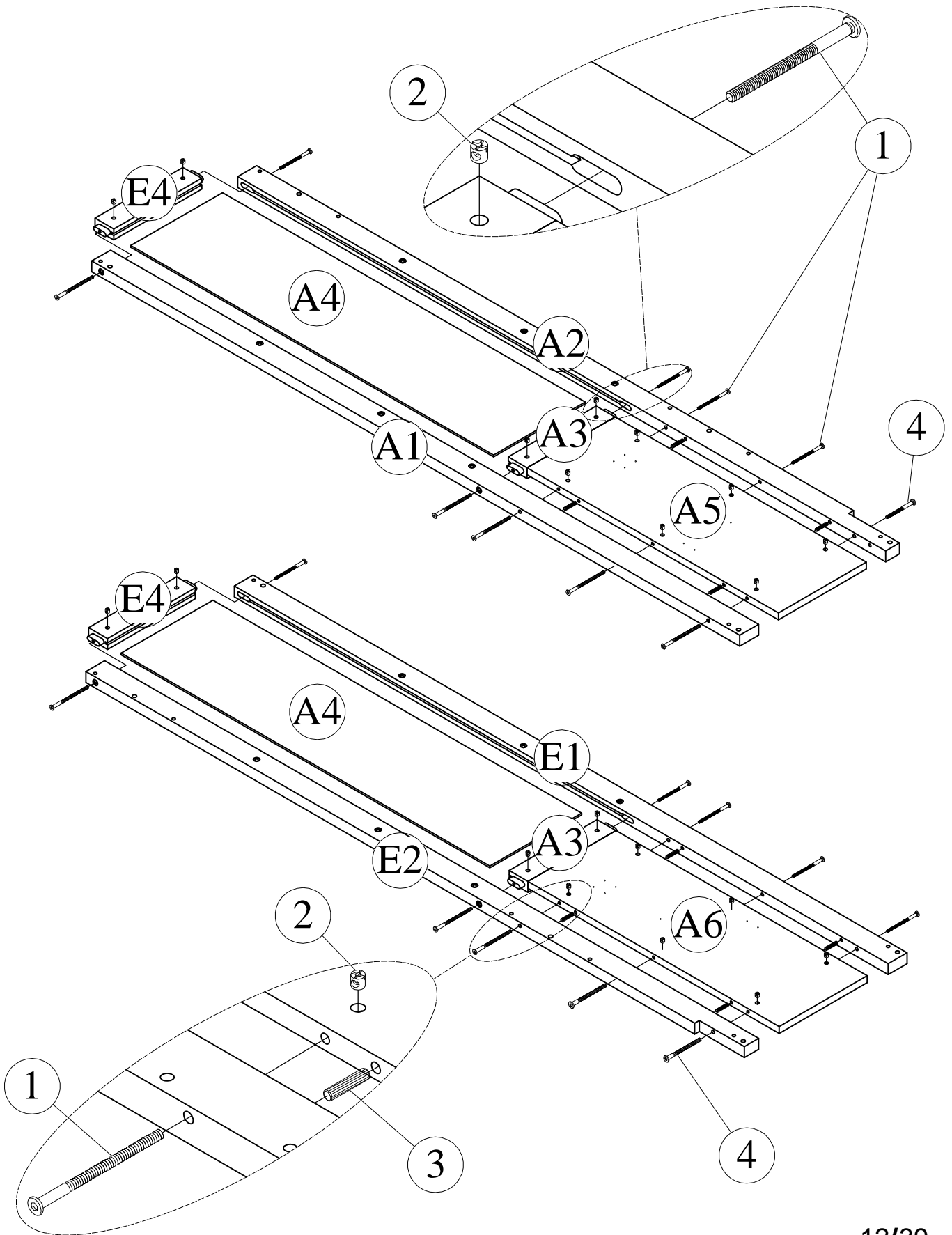
Rotationable Wheel - 4pcs




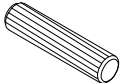

Assembly Tools Required (Not Included)

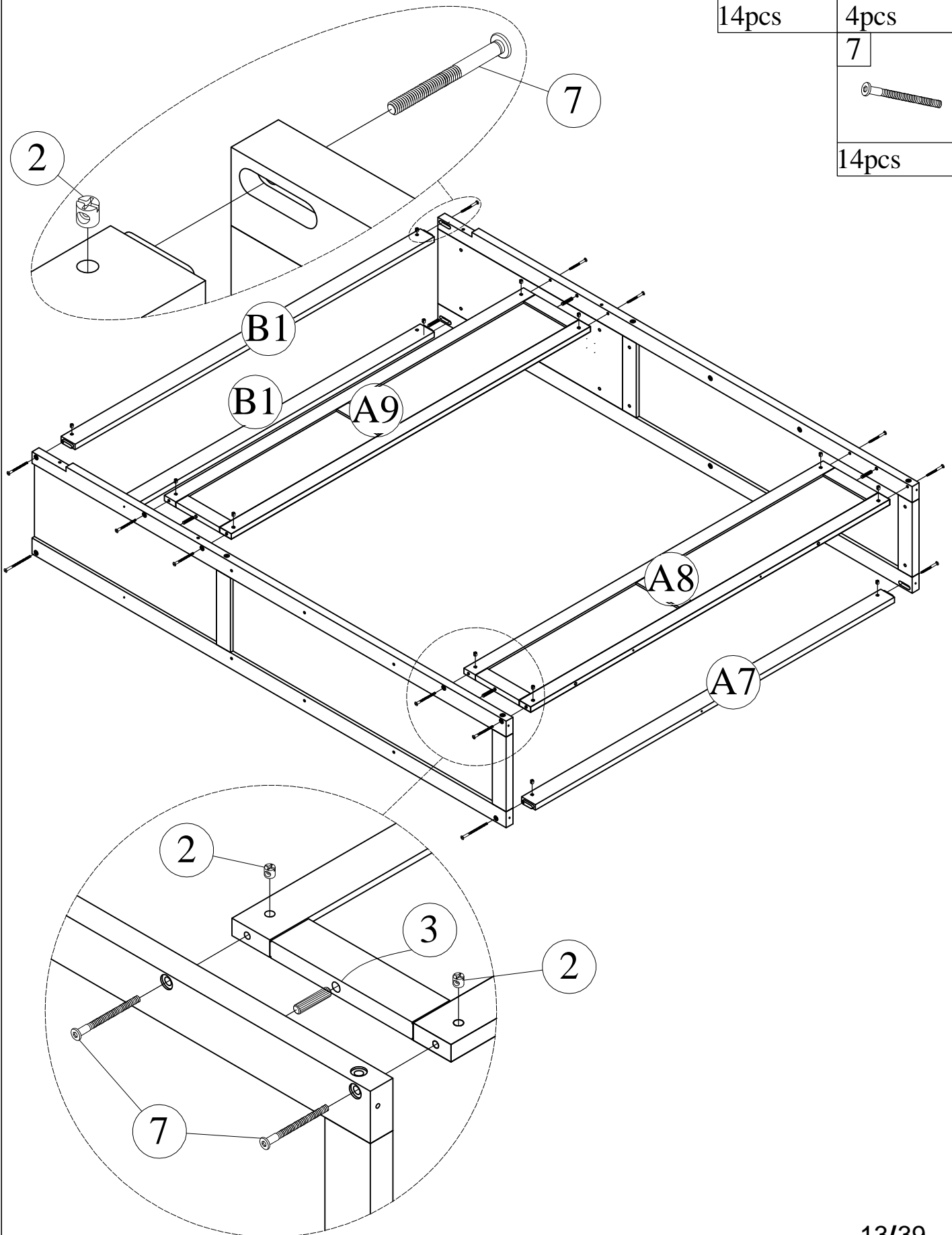
STEP1: Following below illustration.

1	2	3	4
			
18pcs	20pcs	8pcs	2pcs

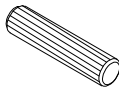



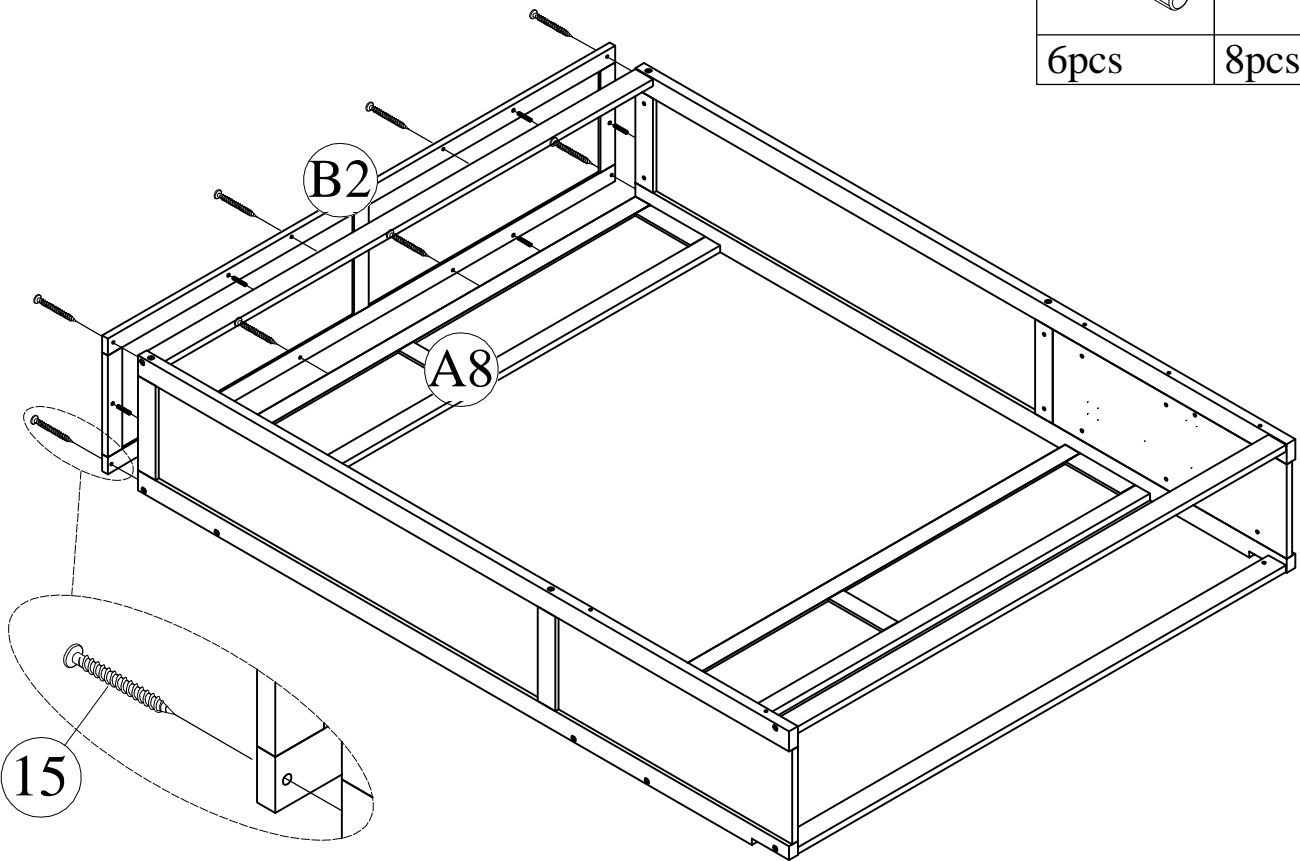
STEP2: Following below illustration.

2	3
	
14pcs	4pcs
	7
	
	14pcs

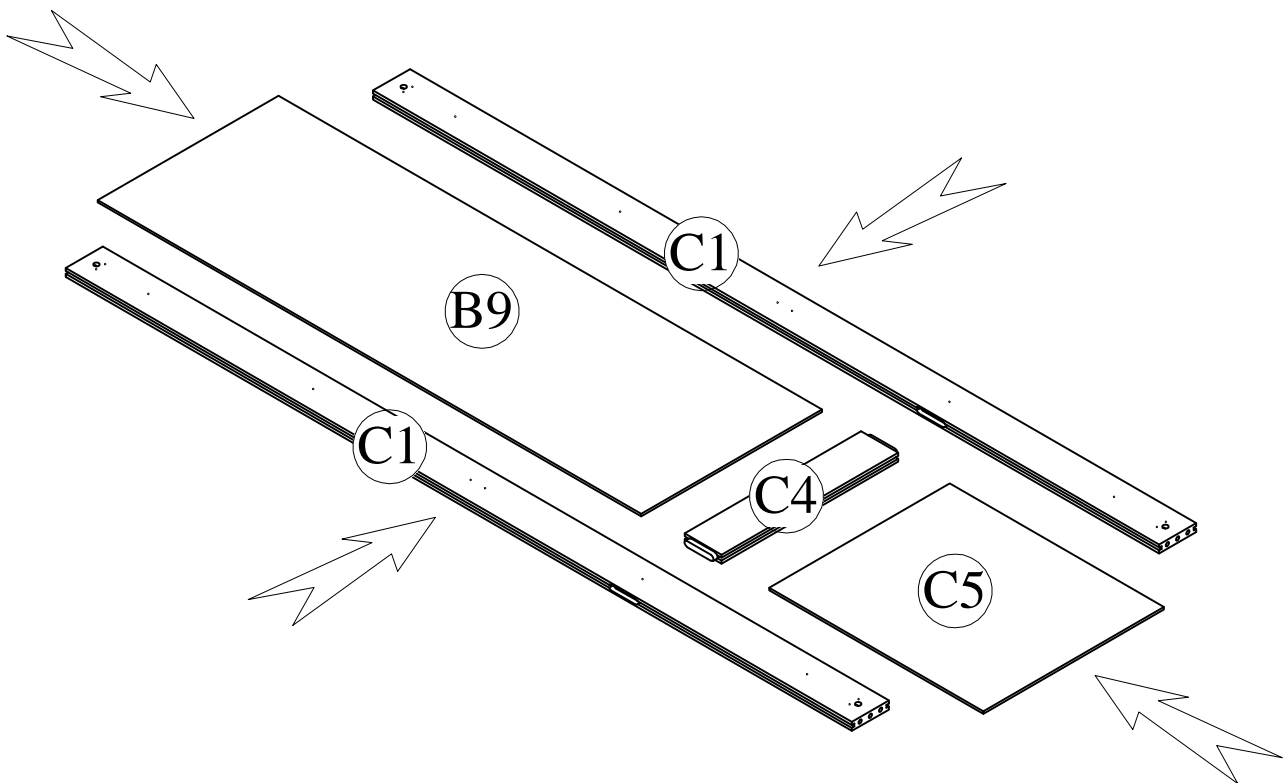


STEP3: Following below illustration.

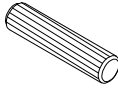
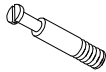

3	15
	
6pcs	8pcs

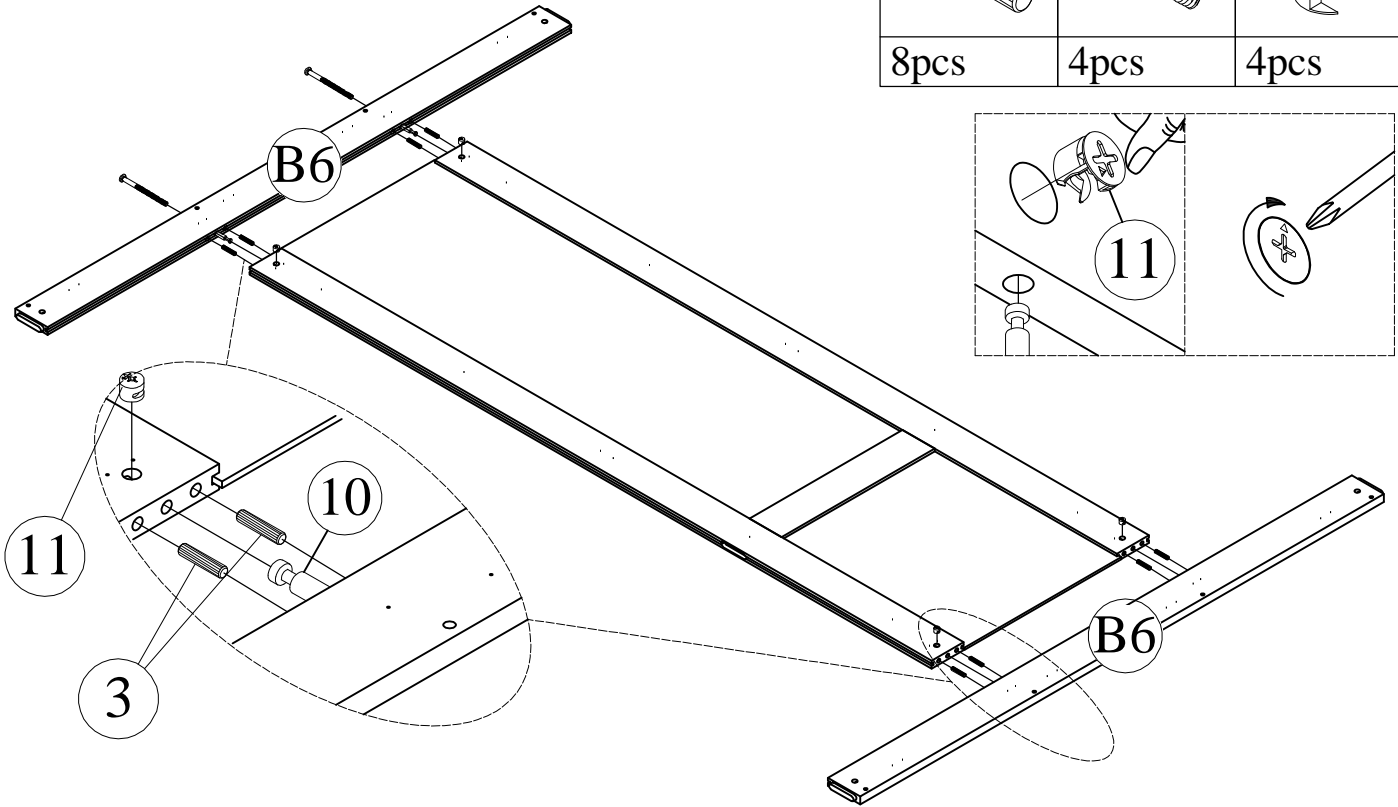


STEP4: Following below illustration.

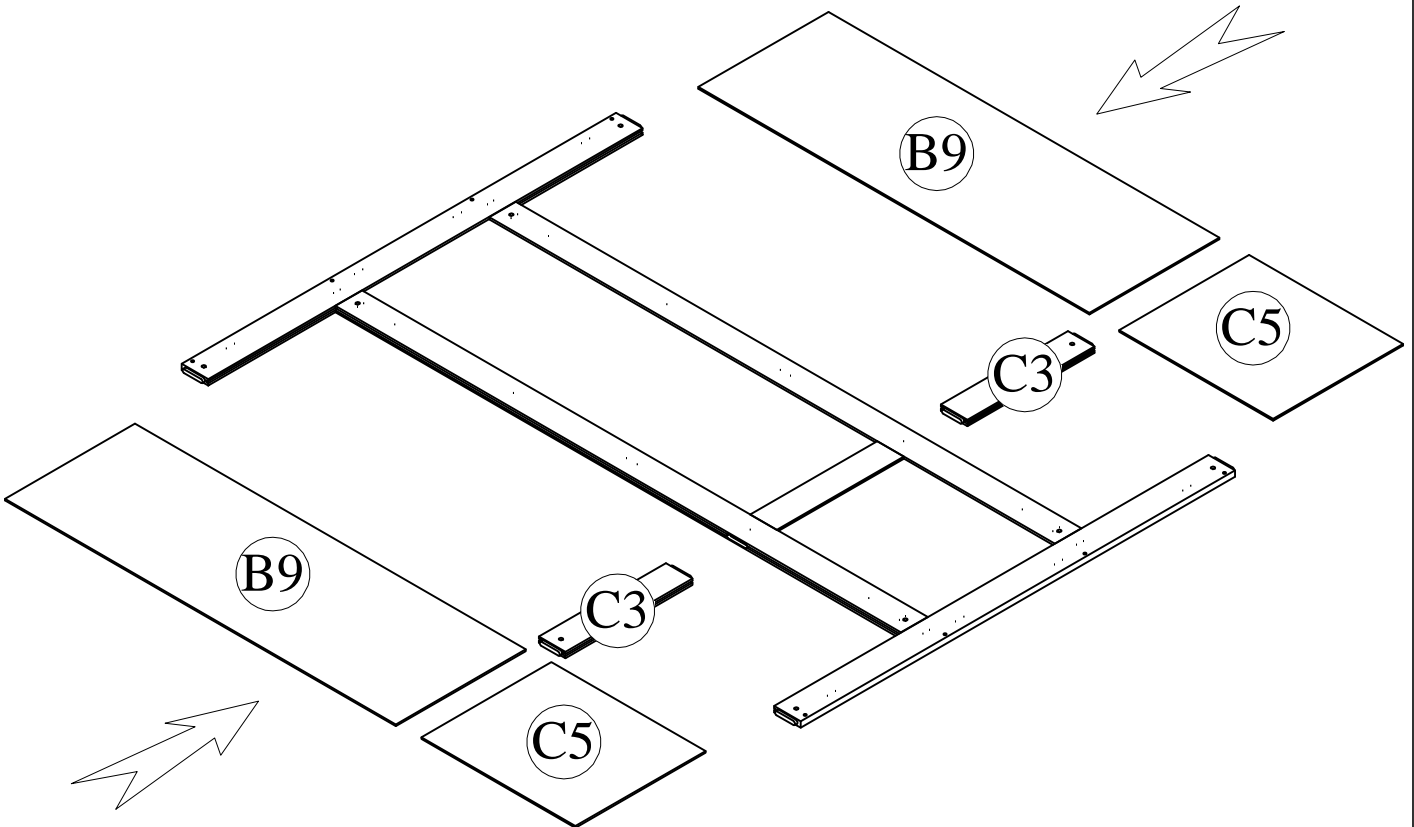


STEP5: Following below illustration.

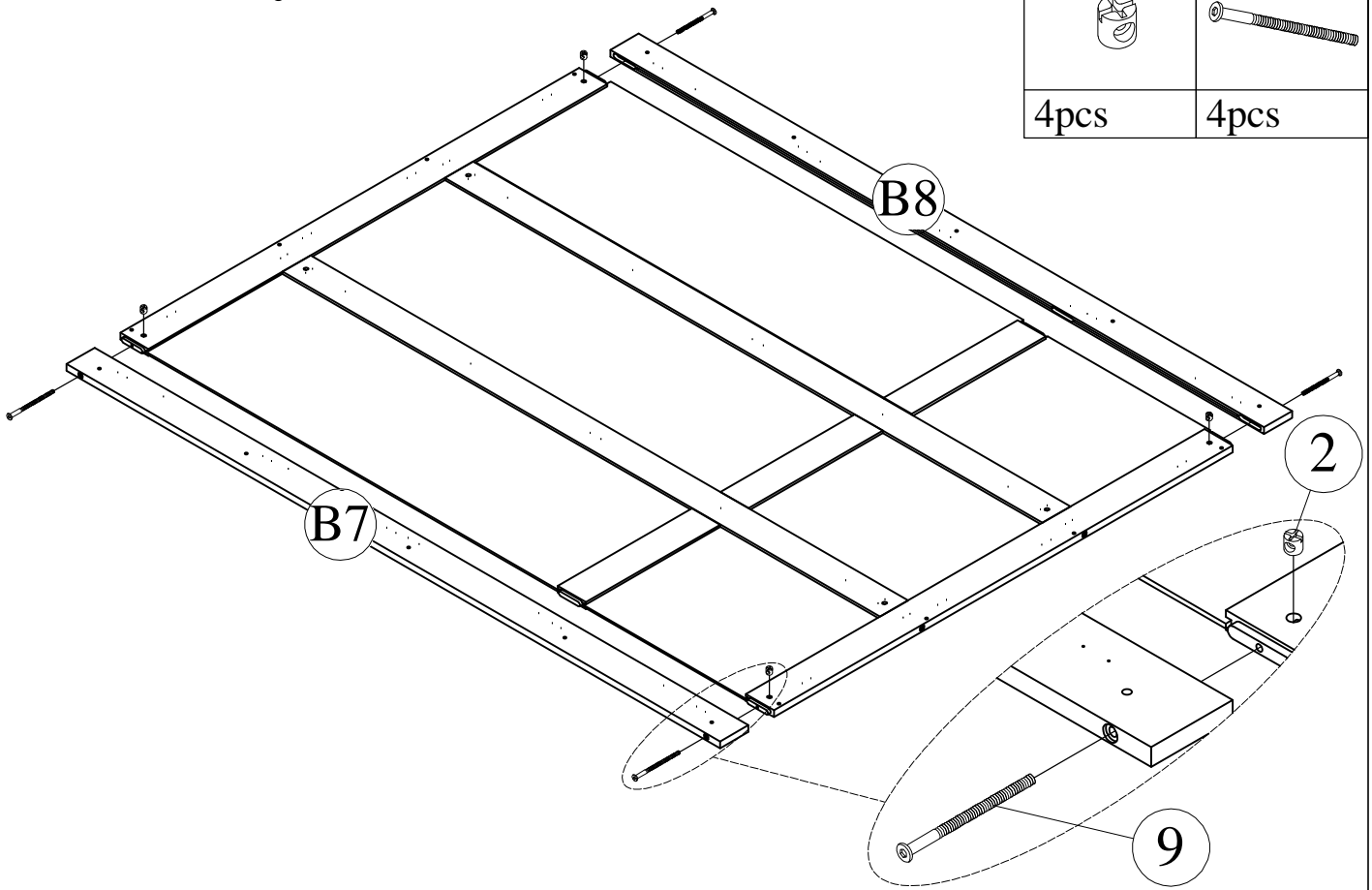
3	10	11
		
8pcs	4pcs	4pcs



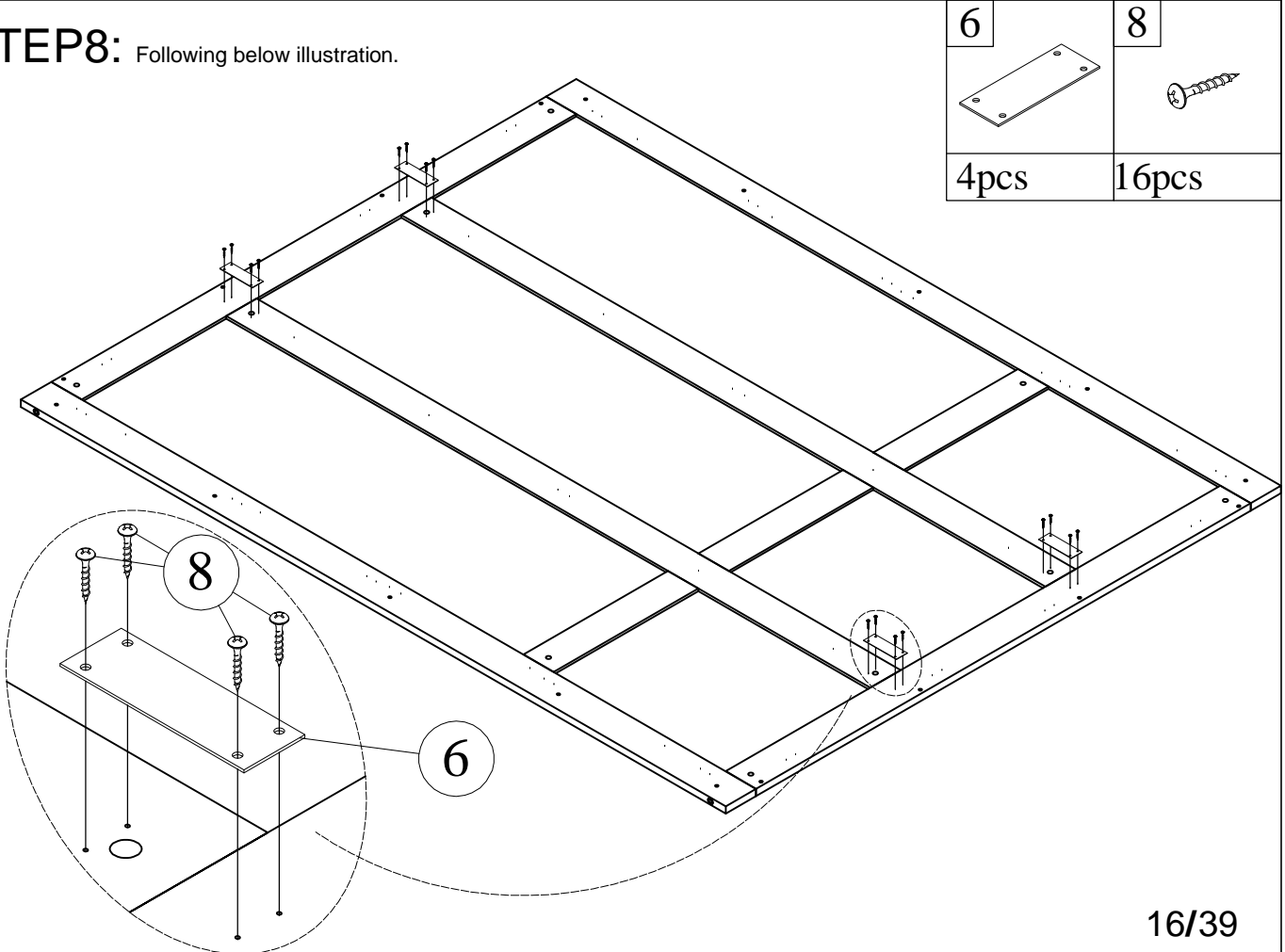
STEP6: Following below illustration.



STEP7: Following below illustration.

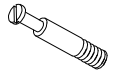


STEP8: Following below illustration.

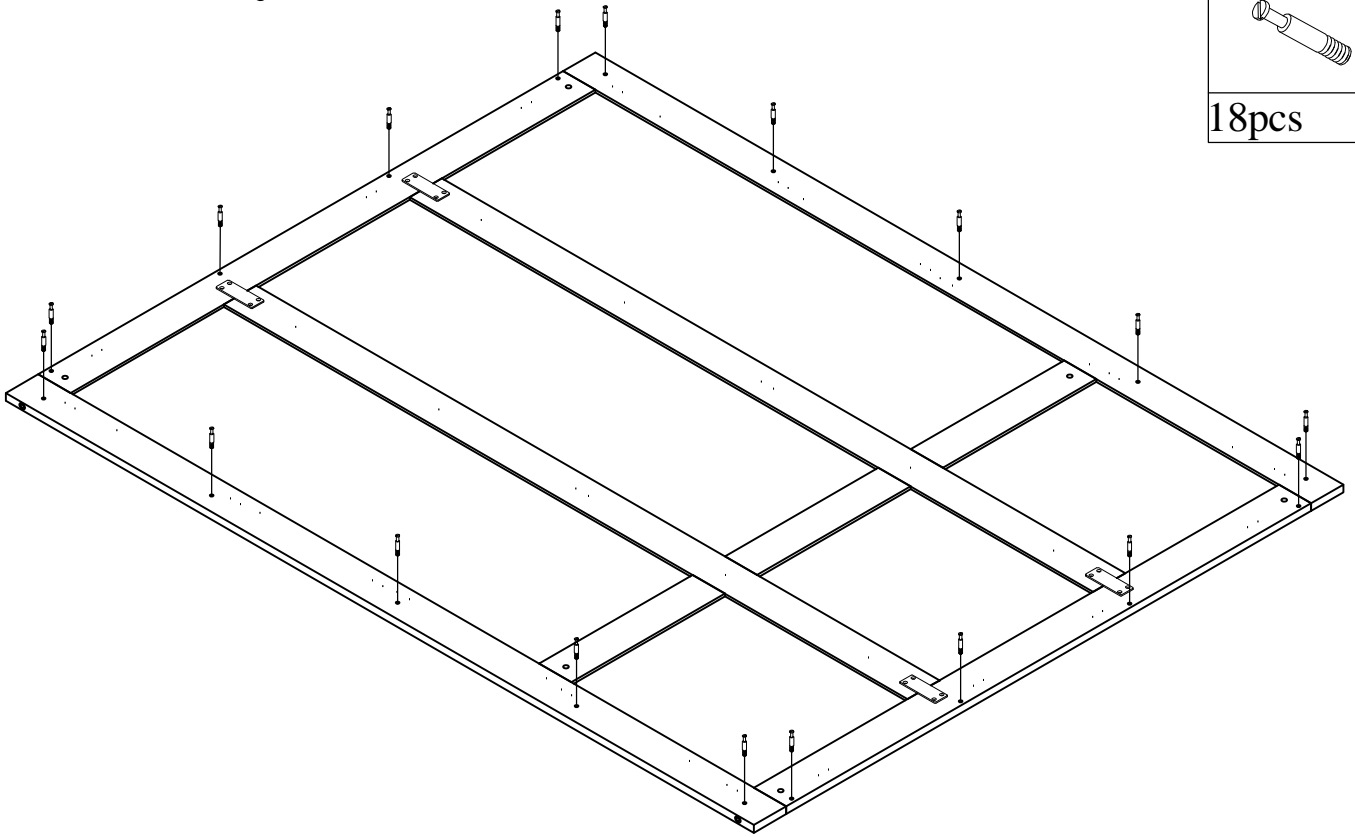


STEP9: Following below illustration.

10



18pcs



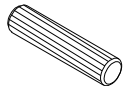
STEP10: Following below illustration.

2



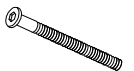
4pcs

3

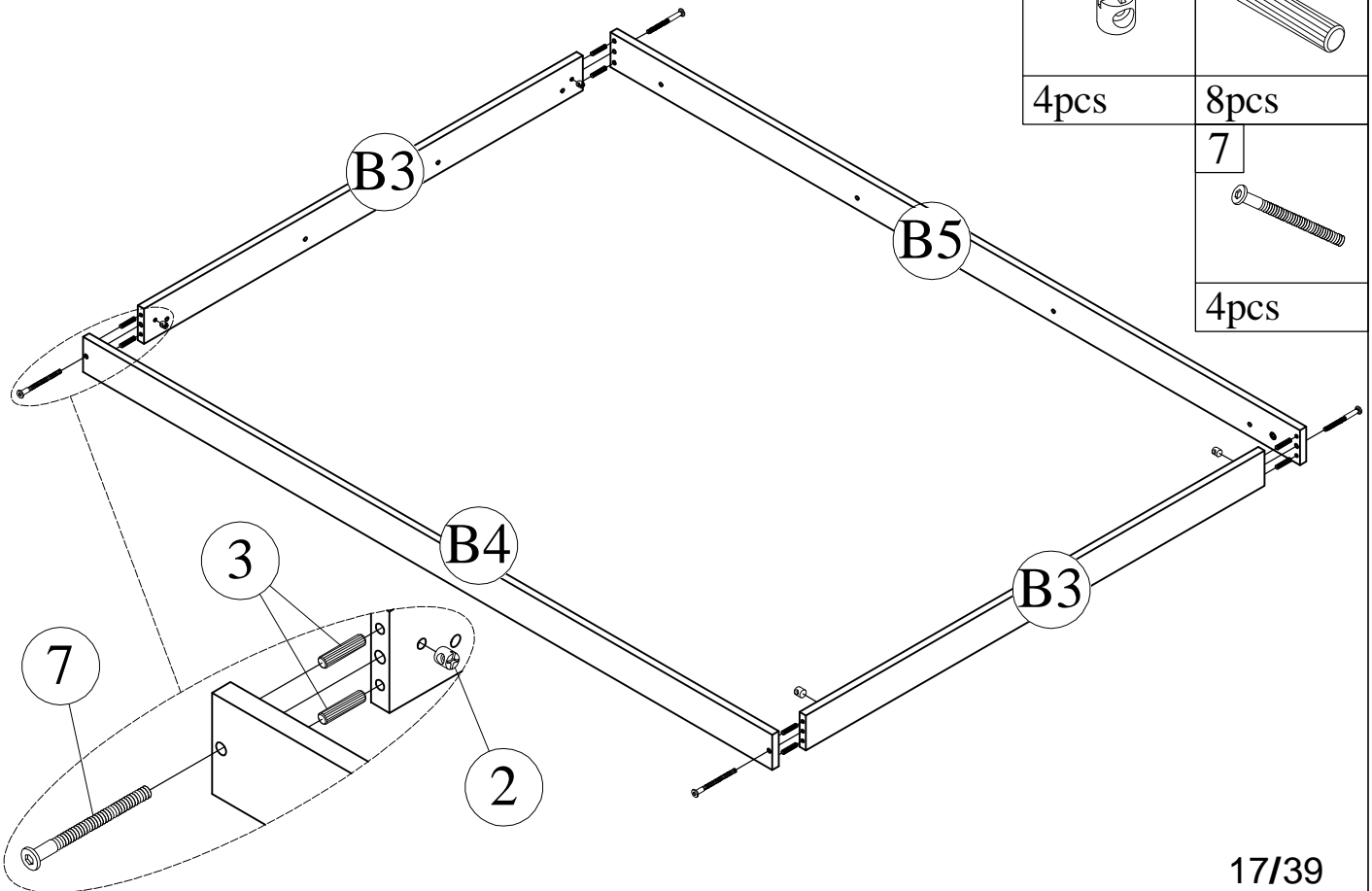


8pcs

7



4pcs

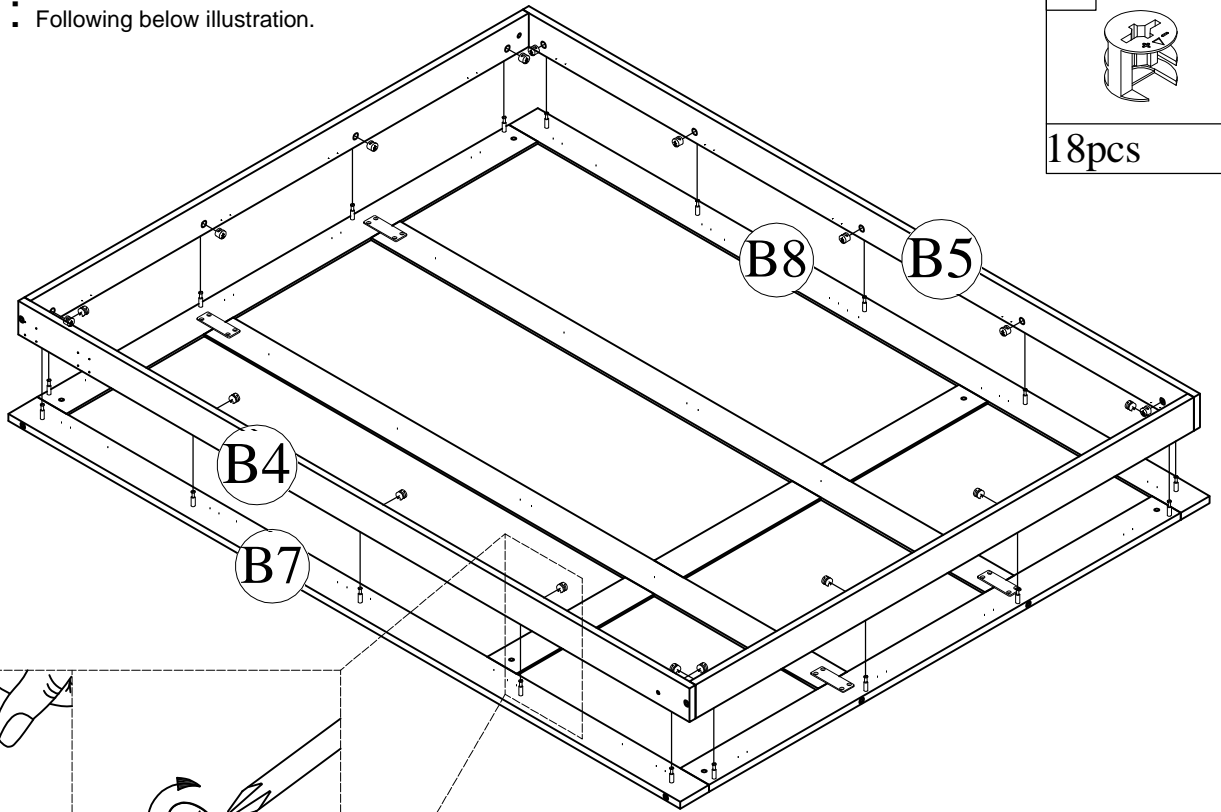


STEP11: Following below illustration.

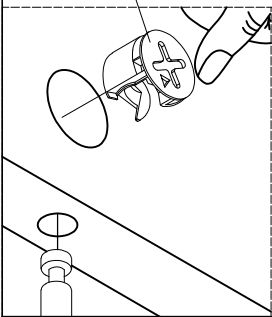
11



18pcs



11



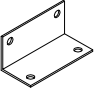
STEP12: Following below illustration.

8

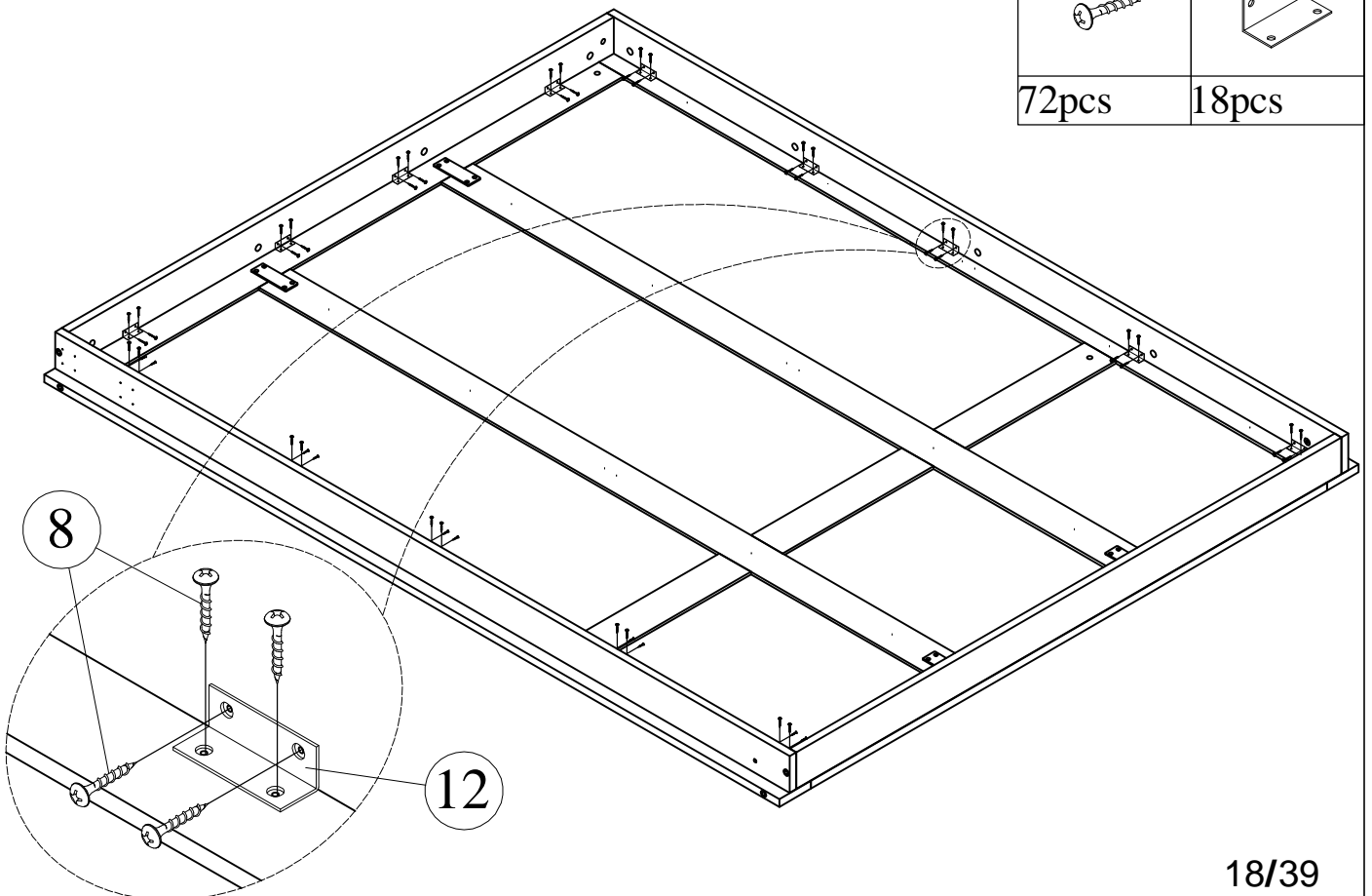


72pcs

12




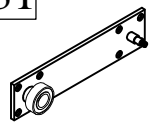
18pcs

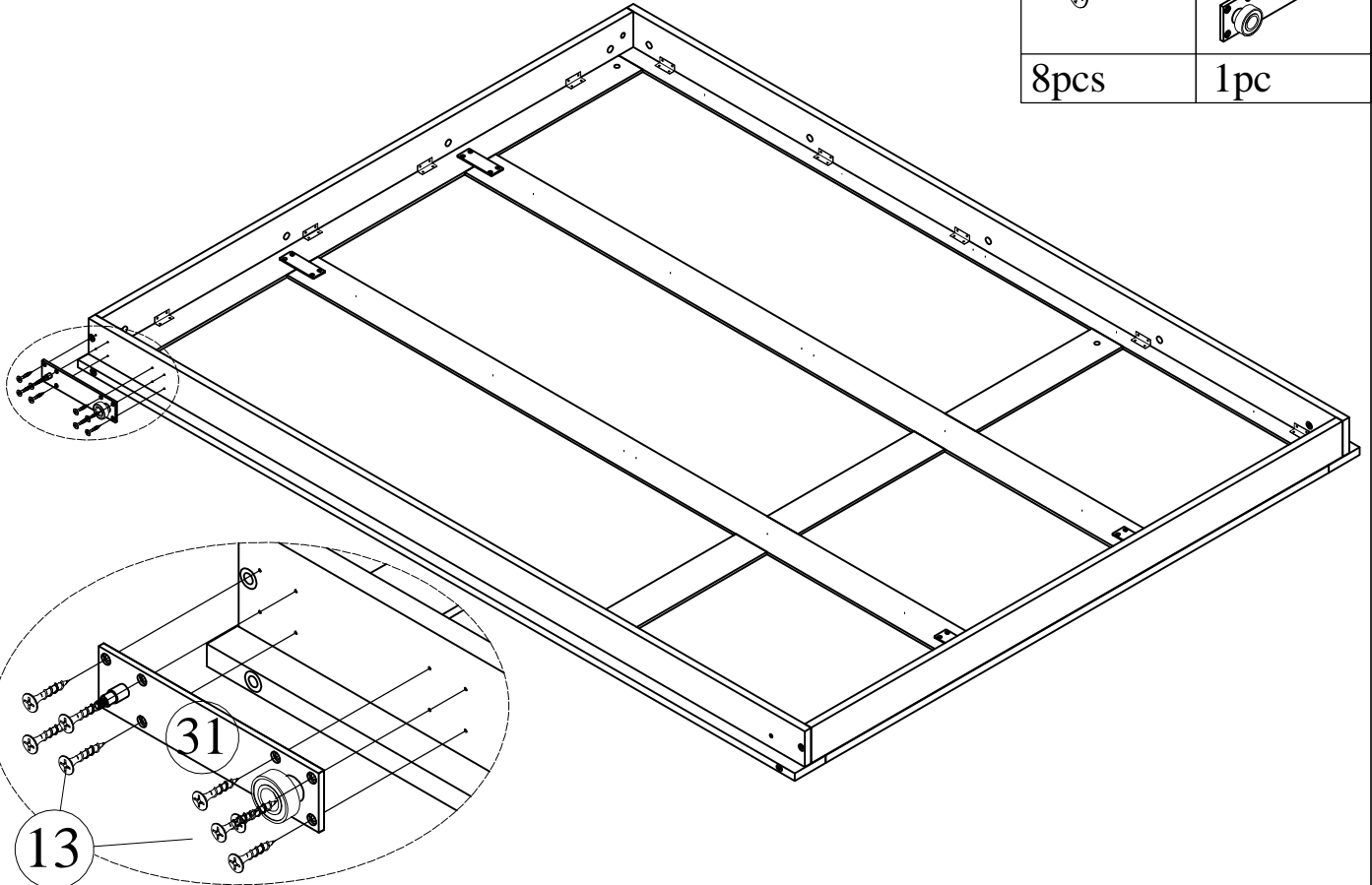


8

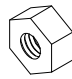

12

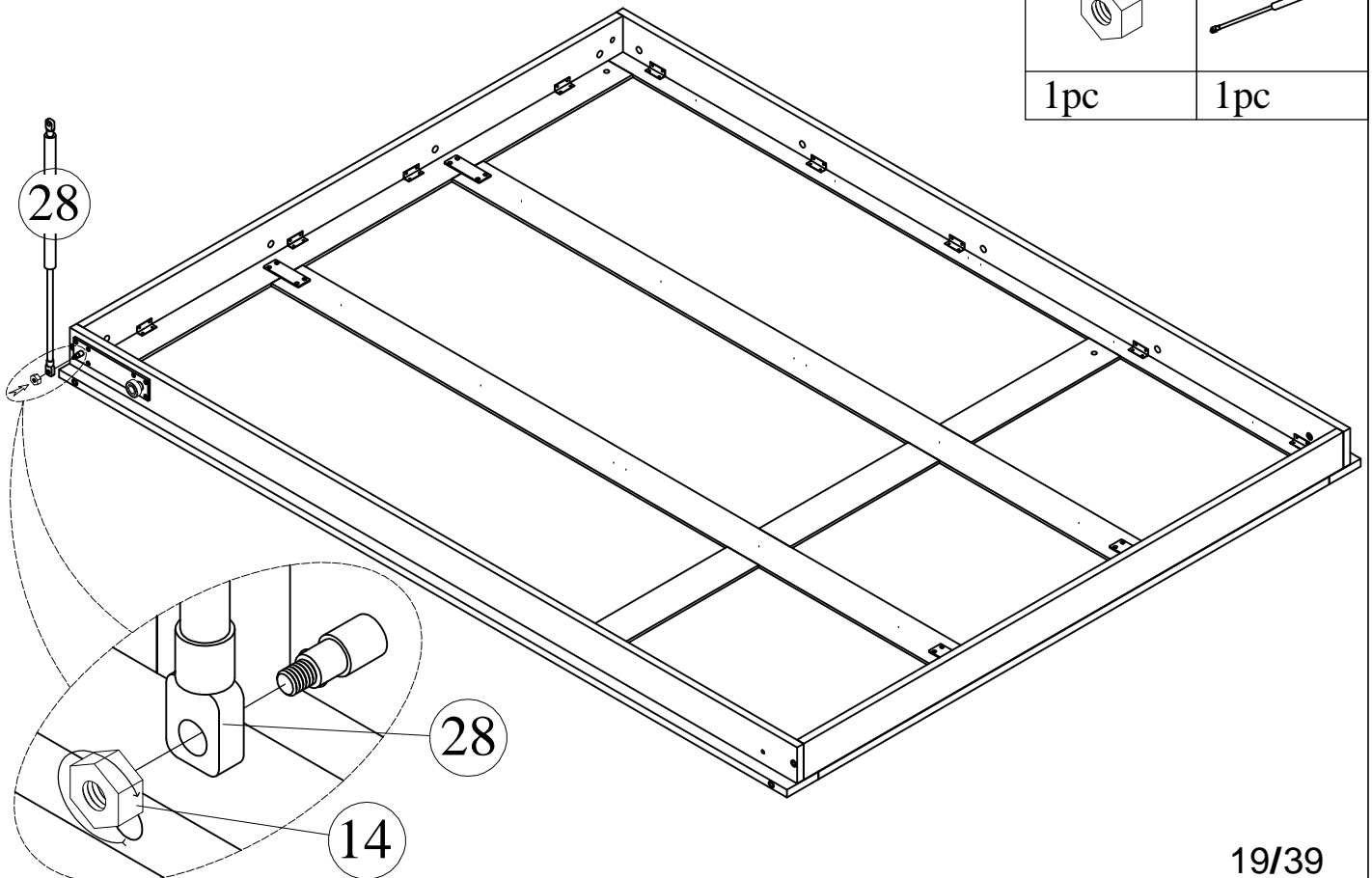
STEP13: Following below illustration.

13	31
	
8pcs	1pc


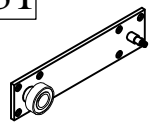


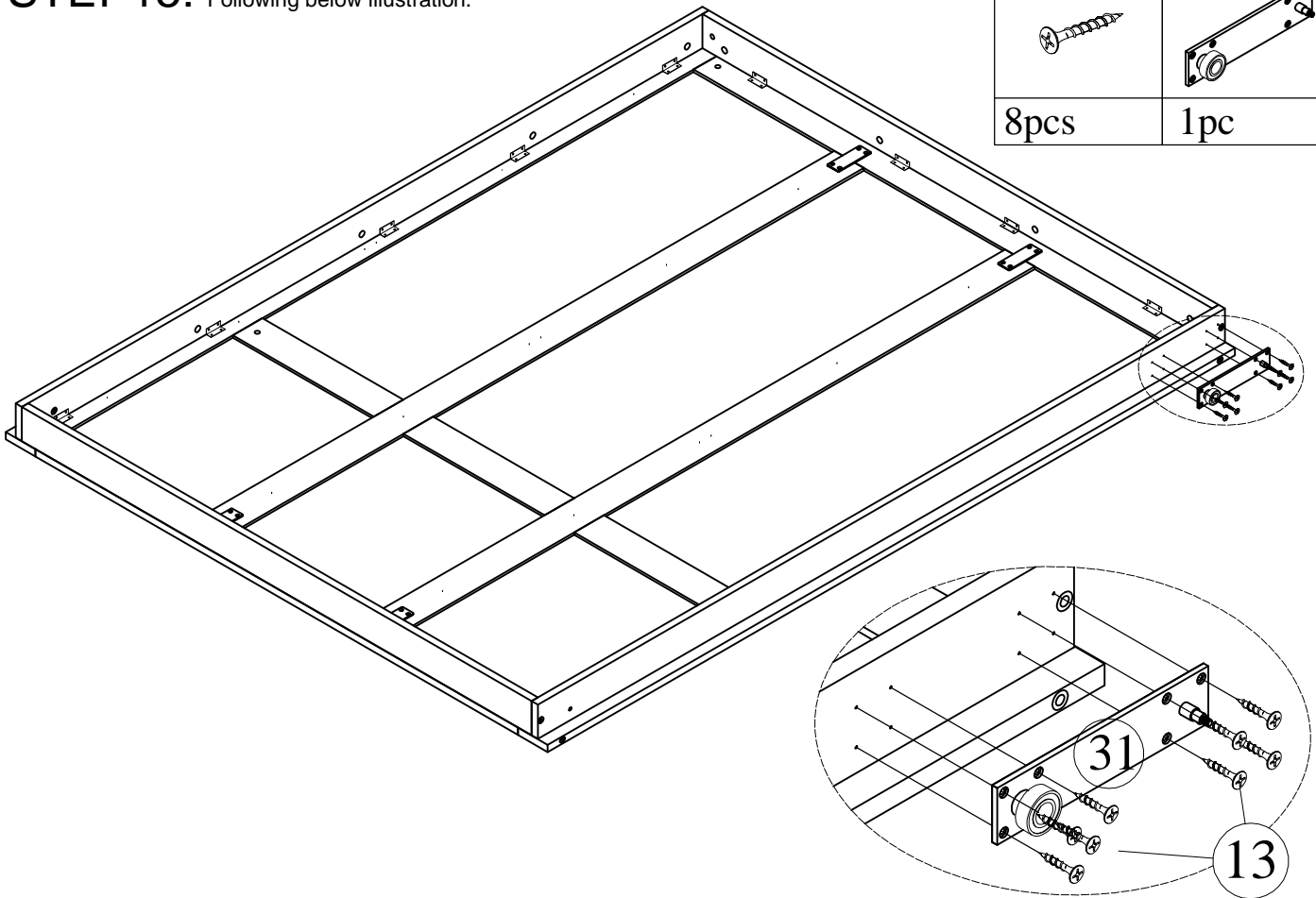
STEP14: Following below illustration.

14	28
	
1pc	1pc

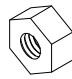



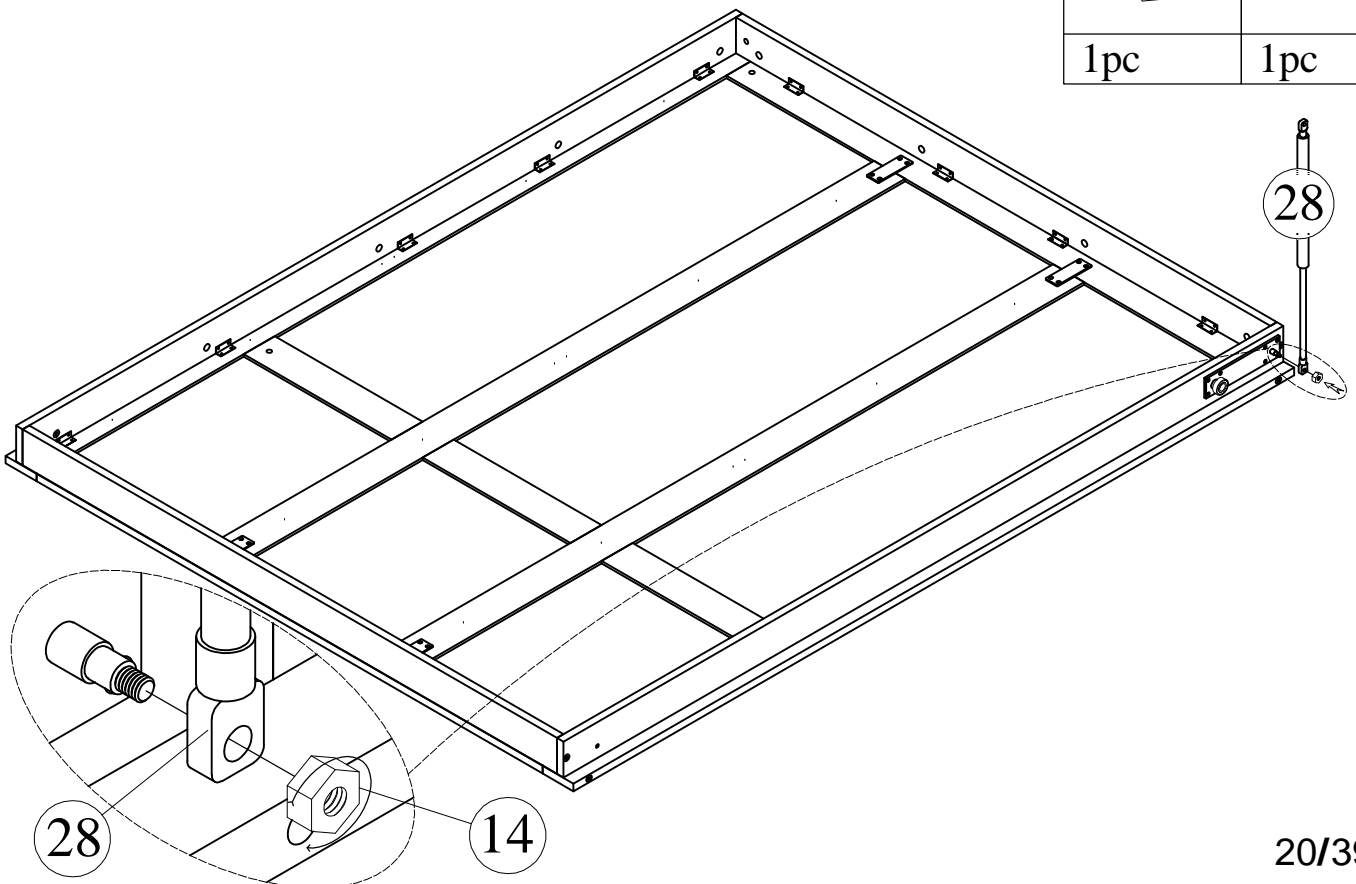
STEP15: Following below illustration.

13	31
	
8pcs	1pc





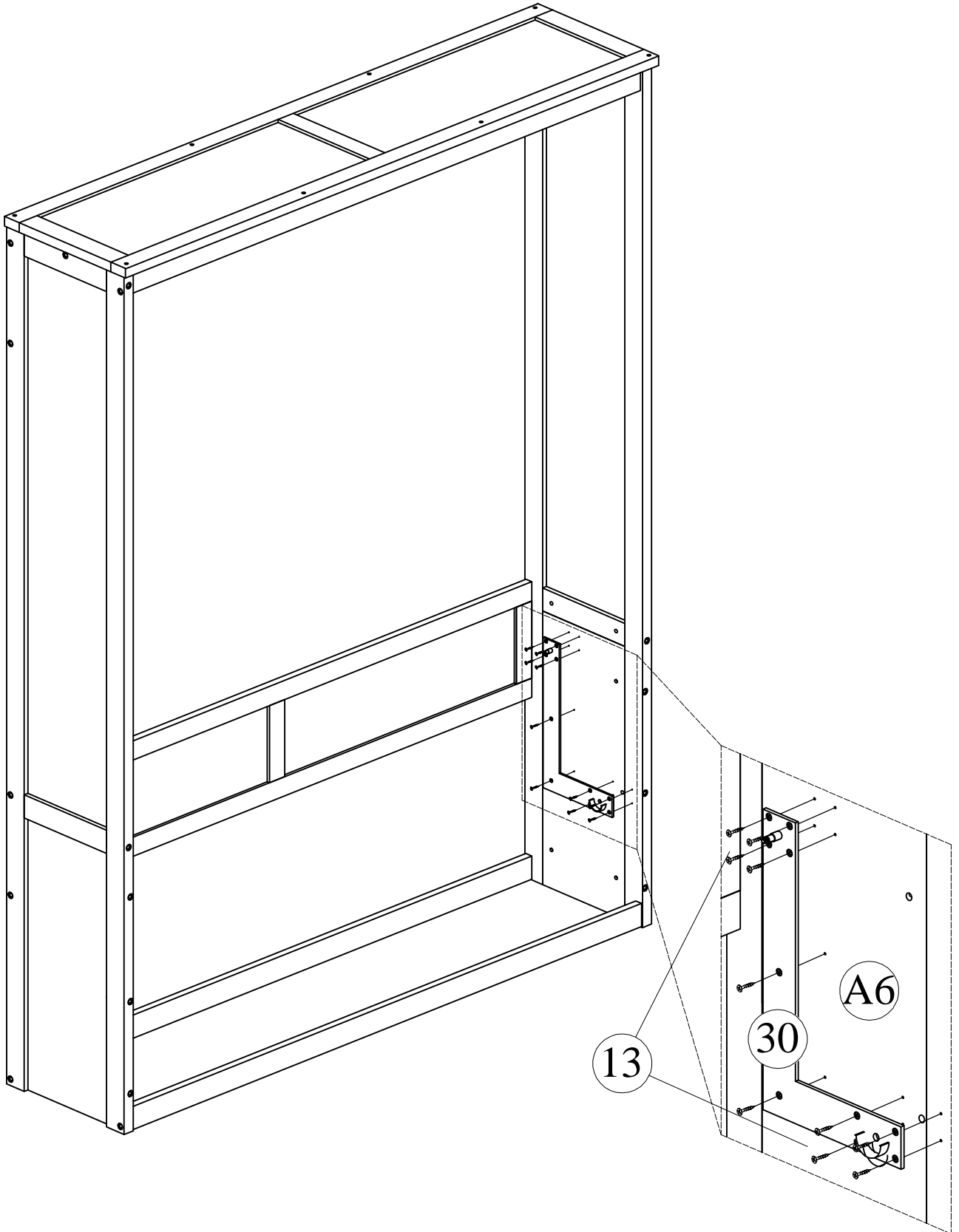
STEP16: Following below illustration.

14	28
	
1pc	1pc


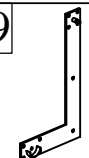


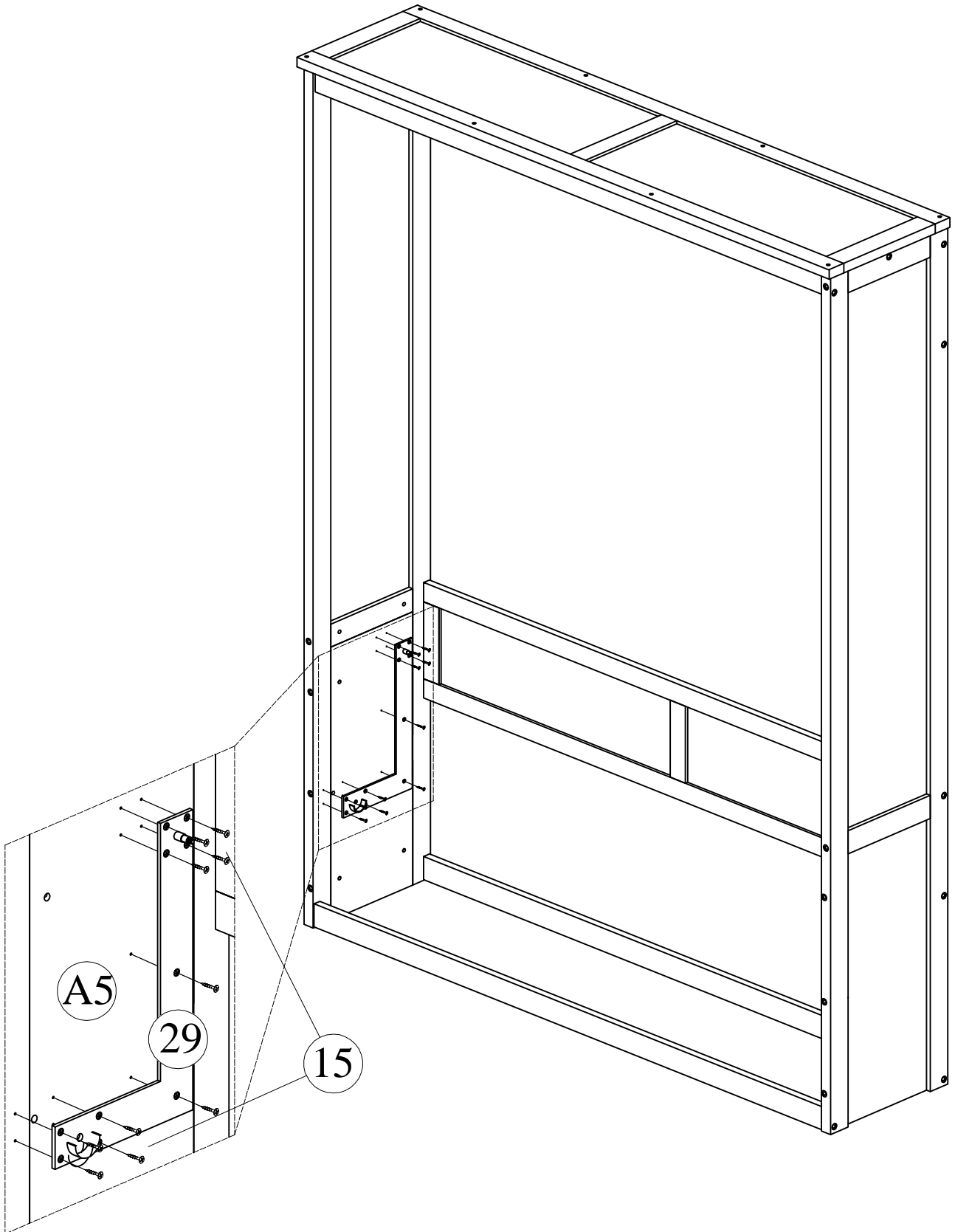
STEP17: Following below illustration.

13	30
	
10pcs	1pc



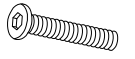
STEP18: Following below illustration.

13	29
	
10pcs	1pc

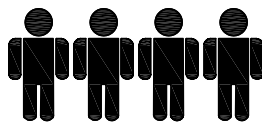
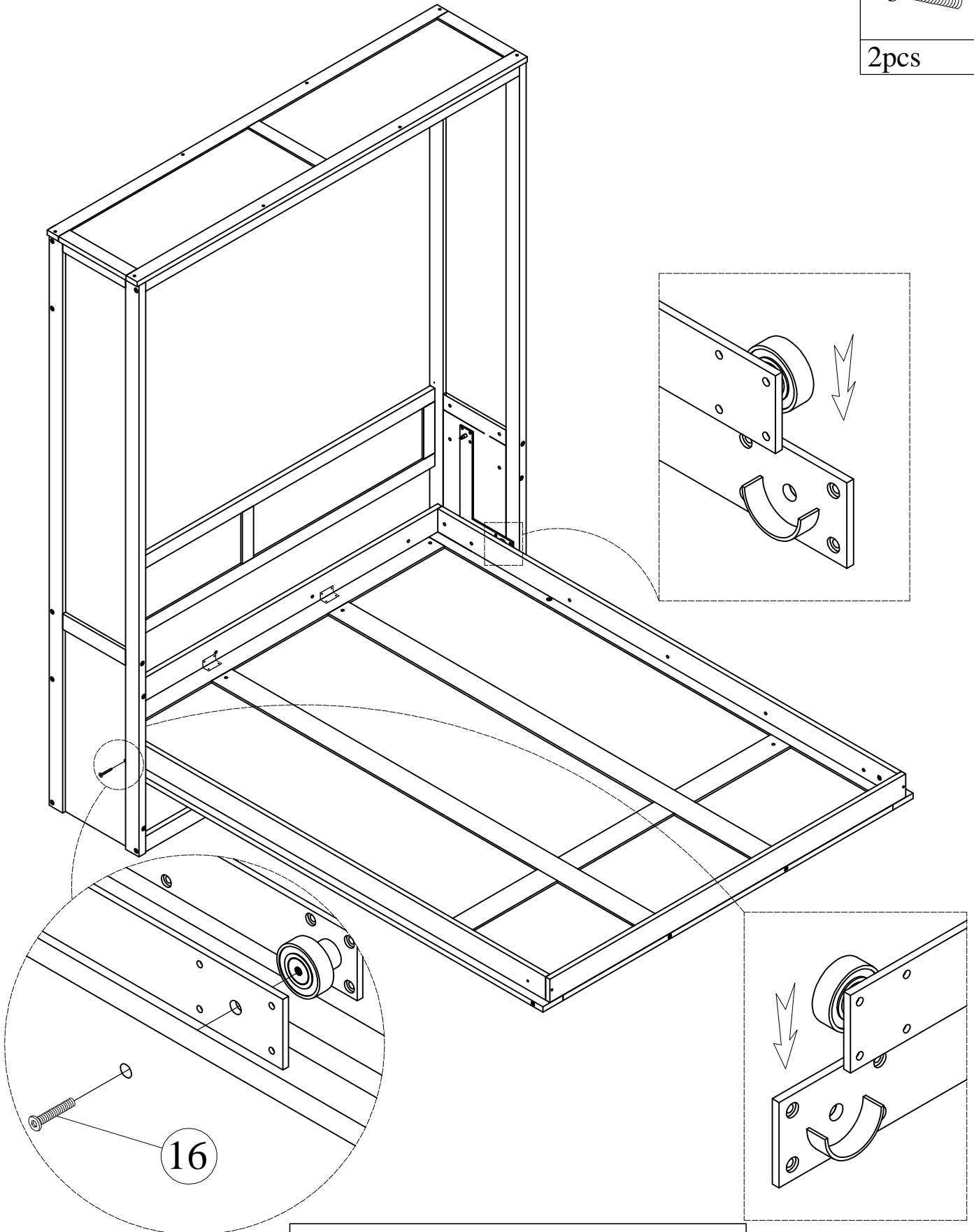


STEP19: Following below illustration.

16



2pcs



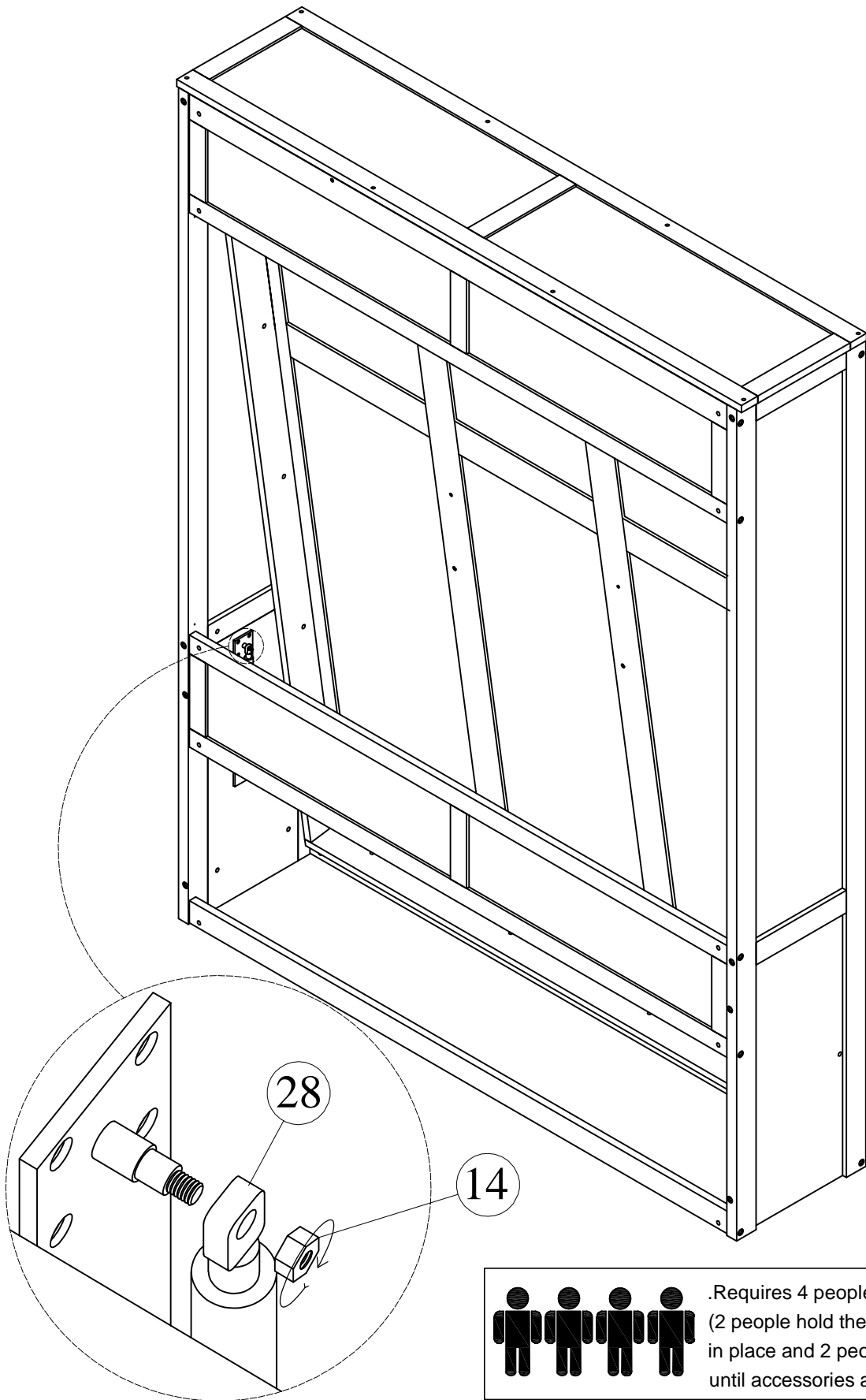
.Requires 4 people to assemble
(2 people hold the large cabinet
in place and 2 people tilt the bed
until accessories are in place)

STEP20: Following below illustration.

14



1pc



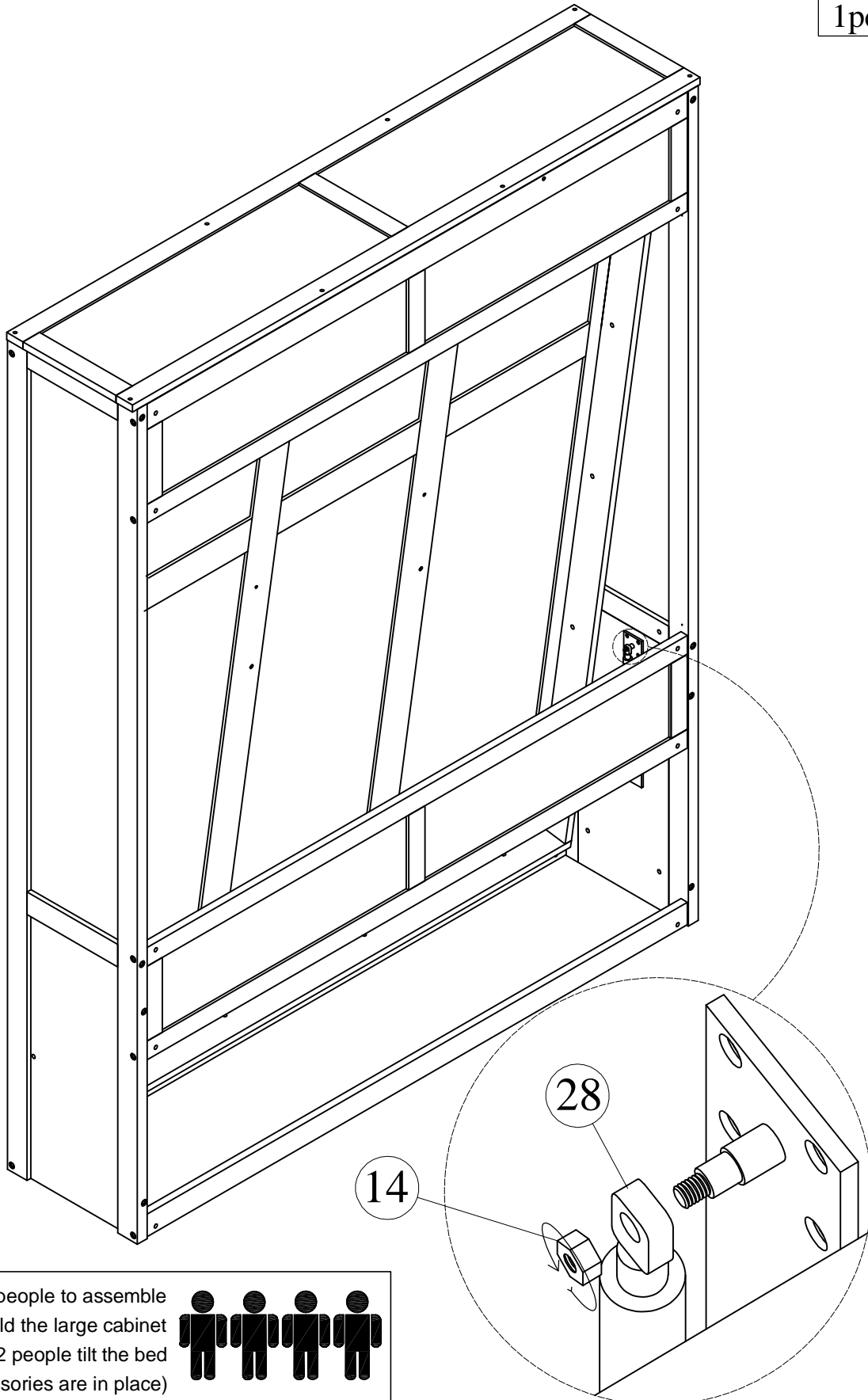
 .Requires 4 people to assemble
(2 people hold the large cabinet
in place and 2 people tilt the bed
until accessories are in place)

STEP21: Following below illustration.

14



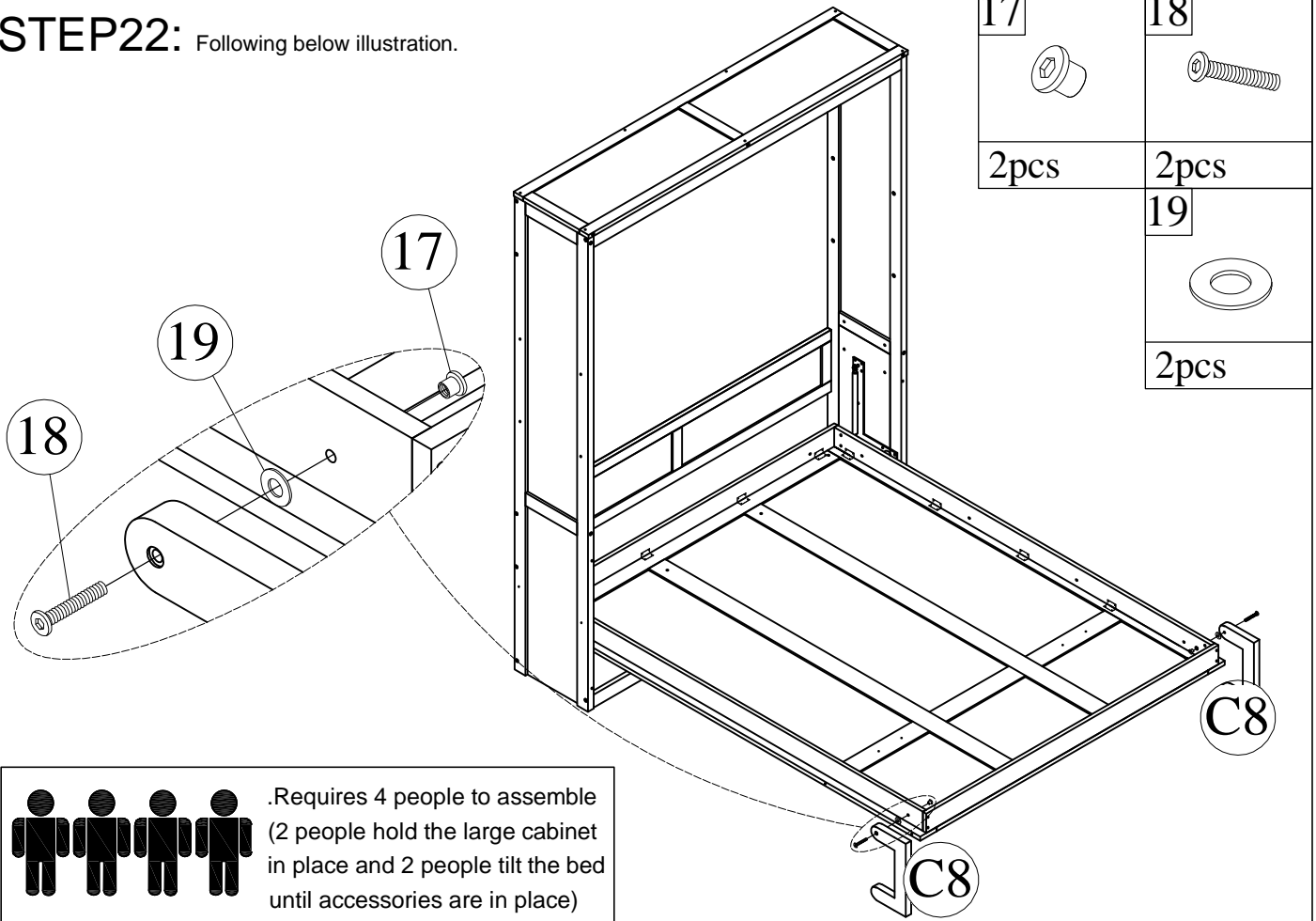
1pc




.Requires 4 people to assemble
(2 people hold the large cabinet
in place and 2 people tilt the bed
until accessories are in place)

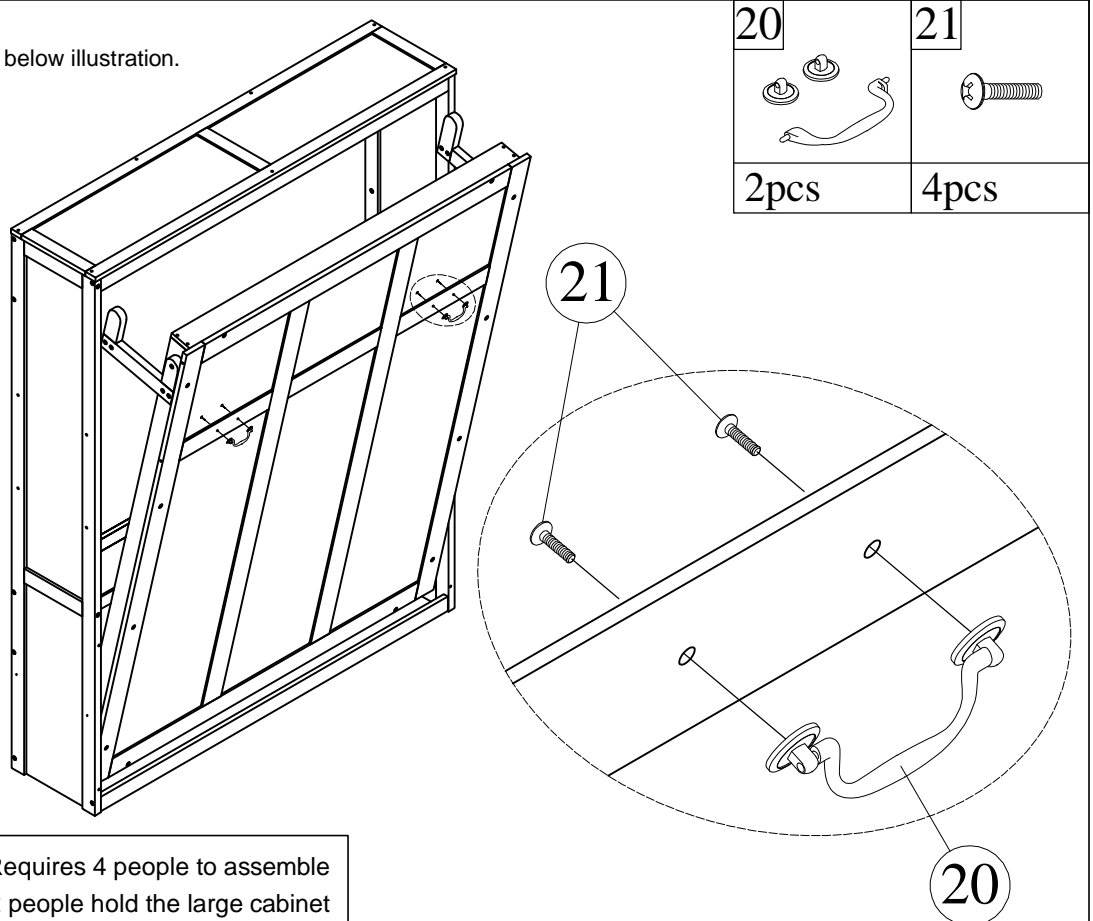



STEP22: Following below illustration.



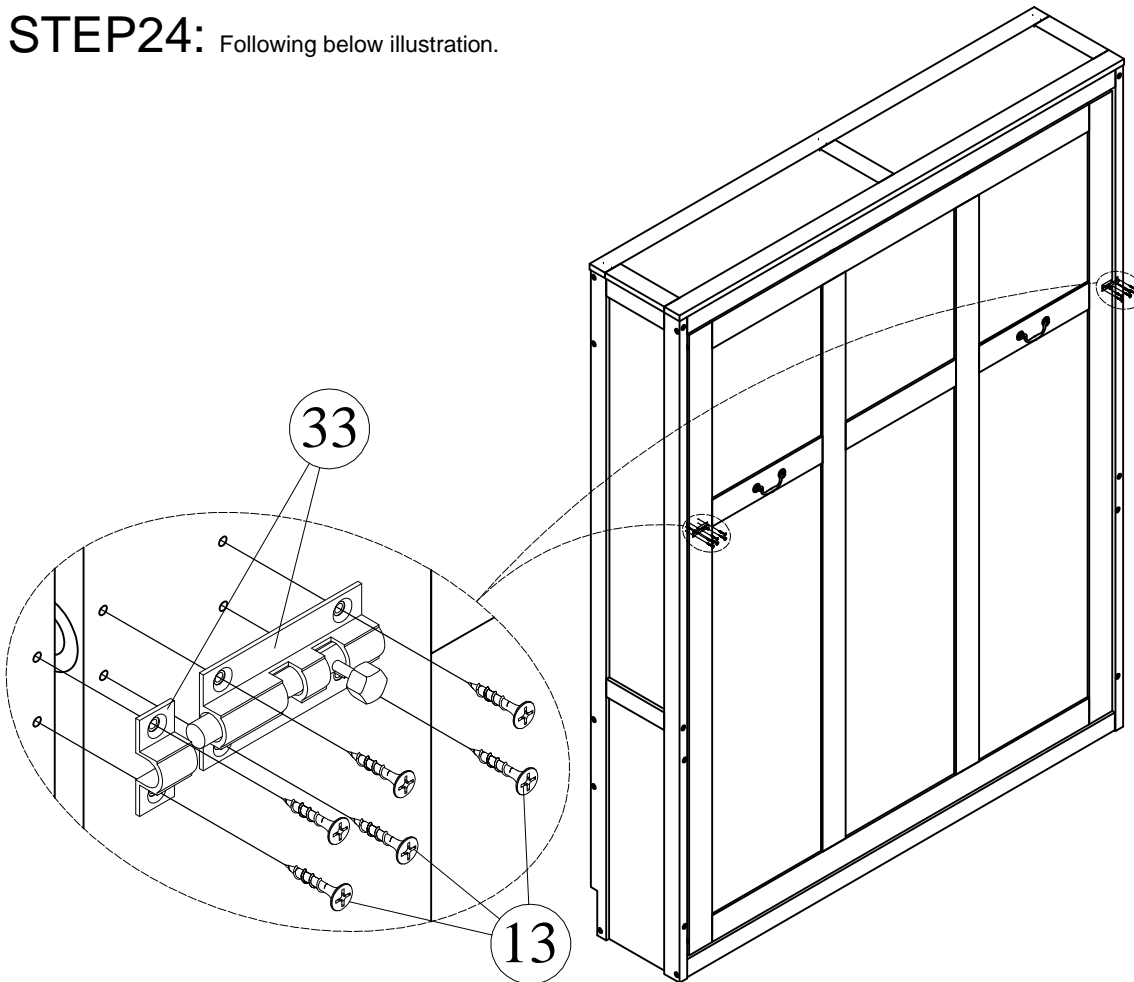
 .Requires 4 people to assemble
(2 people hold the large cabinet
in place and 2 people tilt the bed
until accessories are in place)

STEP23: Following below illustration.



 .Requires 4 people to assemble
(2 people hold the large cabinet
in place and 2 people tilt the bed
until accessories are in place)

STEP24: Following below illustration.

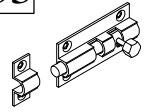


13



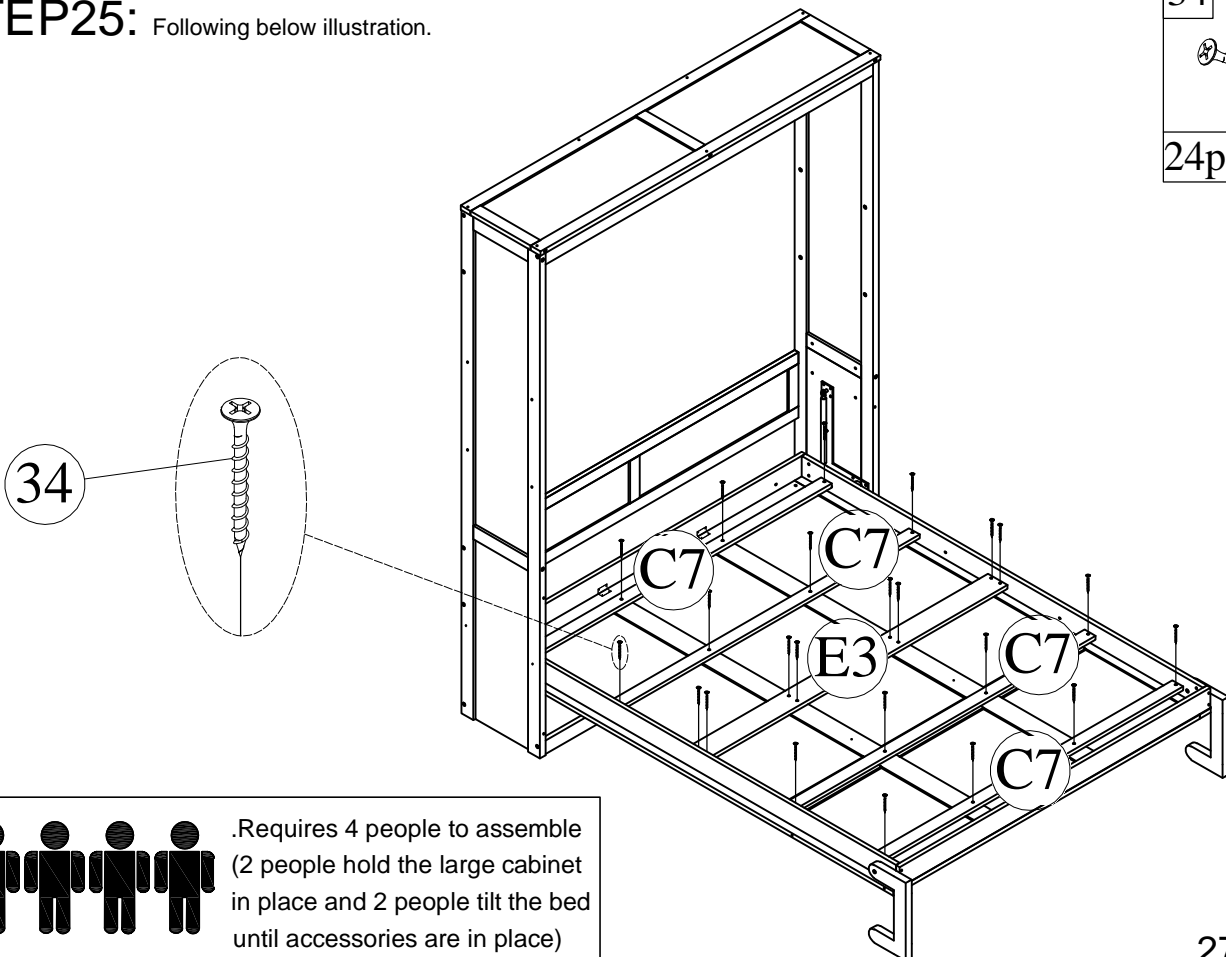
12pcs

33



2pcs

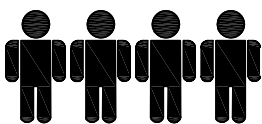
STEP25: Following below illustration.



34

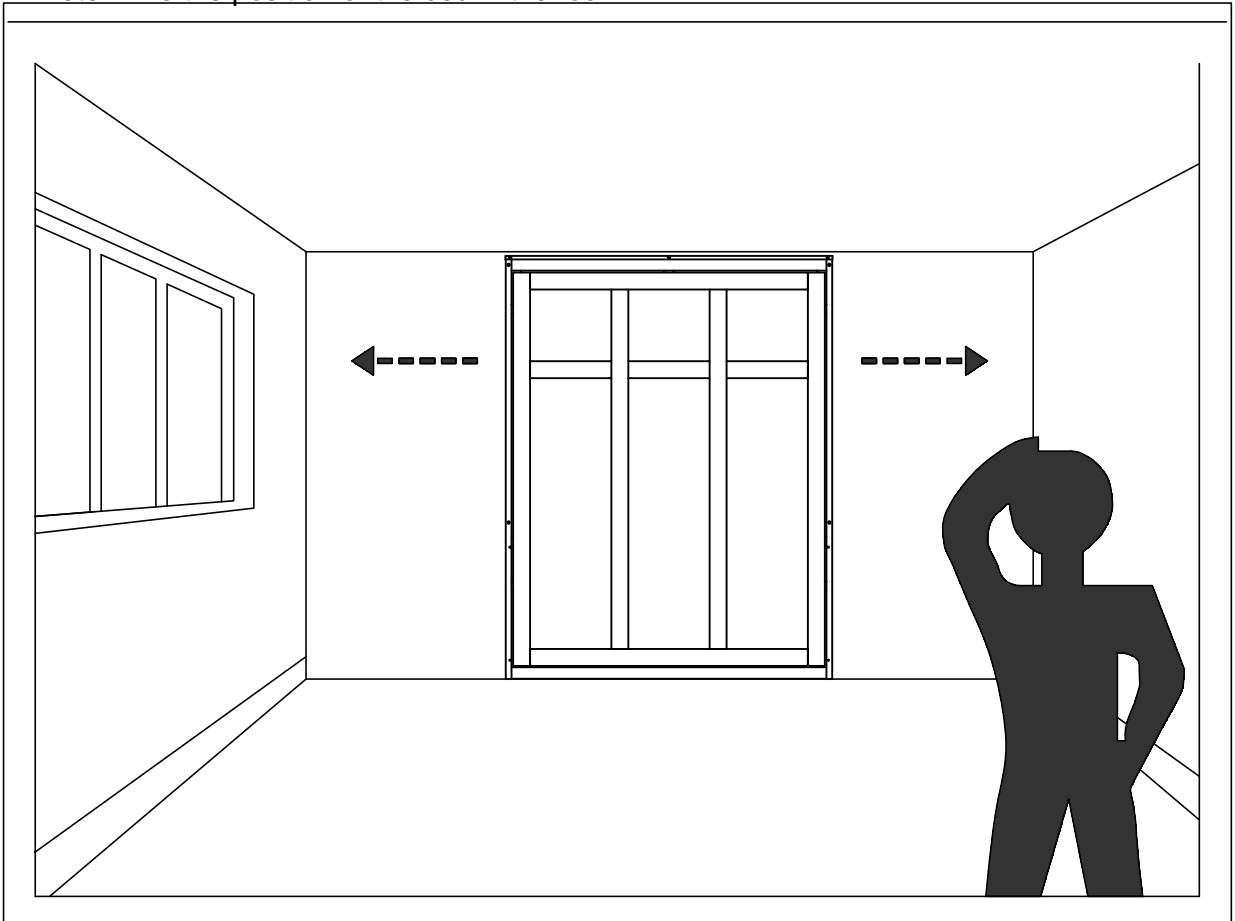


24pcs

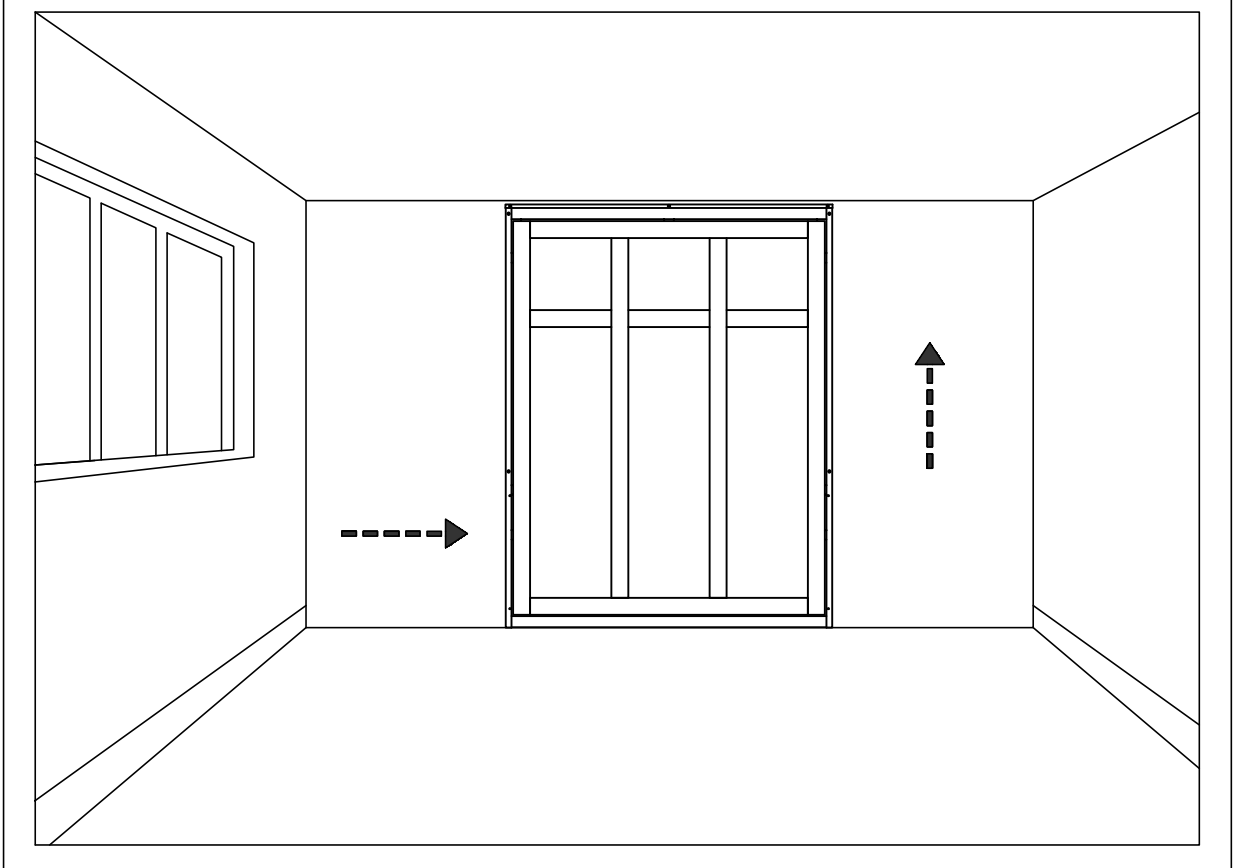


.Requires 4 people to assemble
(2 people hold the large cabinet
in place and 2 people tilt the bed
until accessories are in place)

1- Determine the position of the bed in the room.



2- Put the bed back in its place. Please keep it vertical and horizontal.



Wall attached item only:

A guide to wall mounting and fixings



Warning

Wall fixing screws are not included, since different wall materials require different types of screws / fixings.

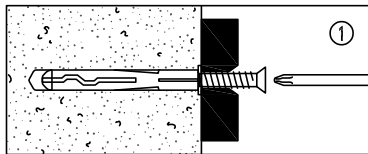
Please ensure you use the correct screws / fixings for your type of walls and seek professional advice if you are not sure.

Failure of the product due to incorrect fixings is the responsibility of the installer.

Important: When drilling into the walls always check that there are no hidden wires or pipes etc.

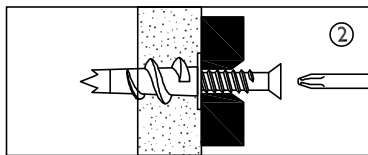
Types of walls

You can use one of the following types of wall plug if your walls are made of brick, breezeblock, concrete, stone or wood.



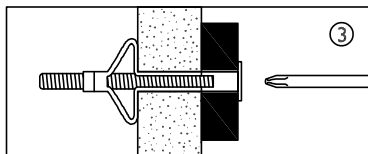
1. Genral Purpose wall plug

Generally aerated blocks should not be used to support heavy loads, use a specialist fitting in this case. For light loads, general - purpose wall plugs can be used.



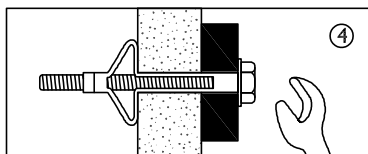
2. Plasterboard wall plug.

For use when attaching light loads on to plasterboard partitions.



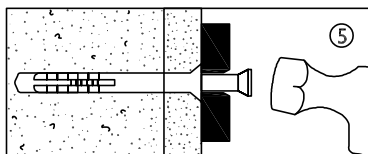
3. Cavity Fixing wall plug

For use with plasterboard partitions or hollow wooden doors.



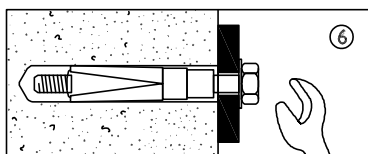
4. Cavity Fixing - Heavy Duty wall plug

For use when fitting or supporting heavy loads such as shelving, wall cabinets and coat racks.



5. Hammer Fixing wall plug

For use with walls stuck with plasterboard. The hammer fixing allows it to be fixed to the wall rather than the plasterboard. Always check the fixing is secure to the retaining wall.



6. Shield Anchor wall plug - Heavy loads


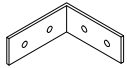
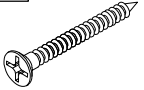
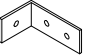
For use with heavier load such as TV and HI-Fi speakers and satellite dishes etc.



Care and maintenance

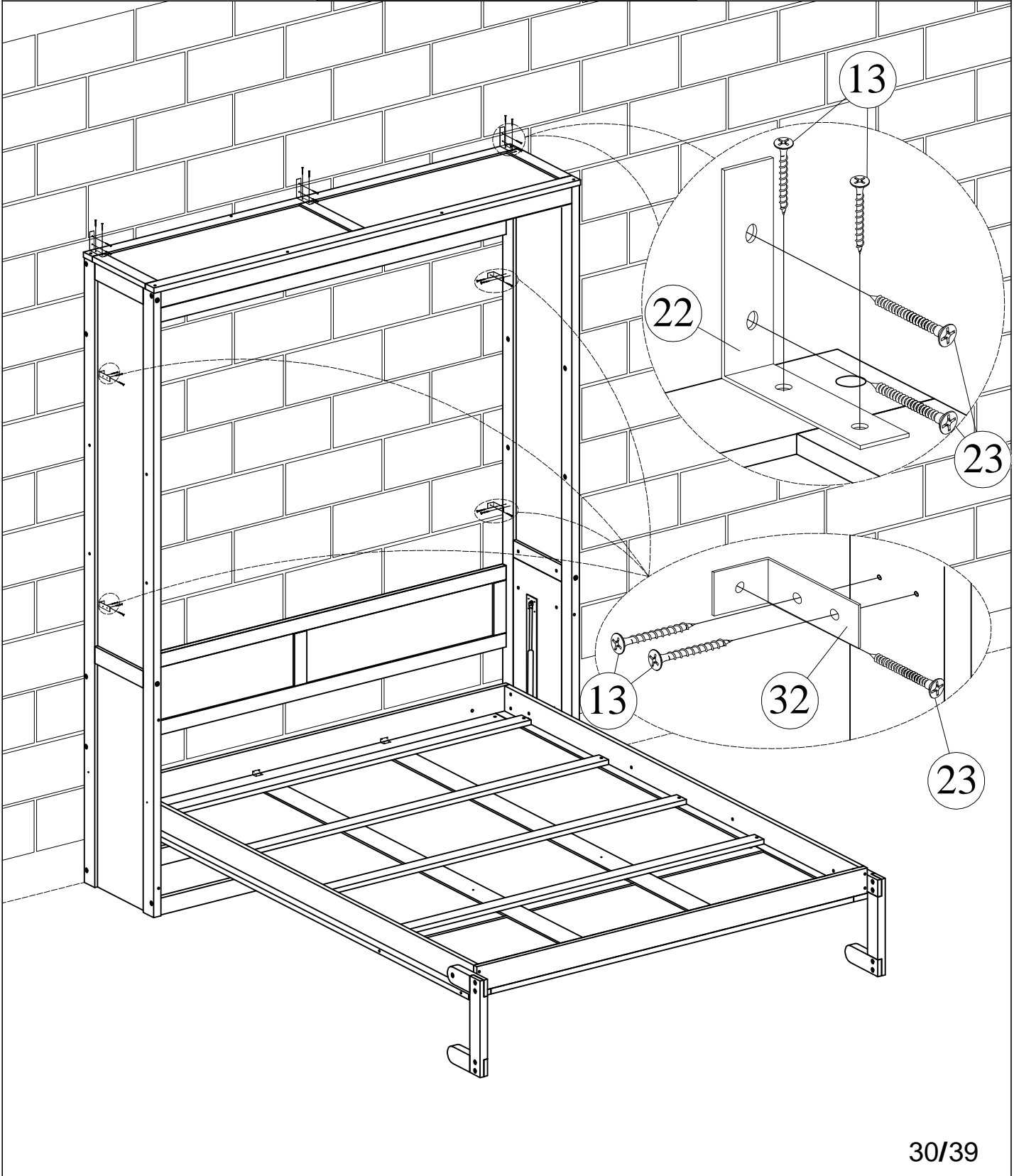
Safety: Periodically check all fittings and wall fixings to ensure they have not come loose and retighten as necessary.

STEP26: Following below illustration.

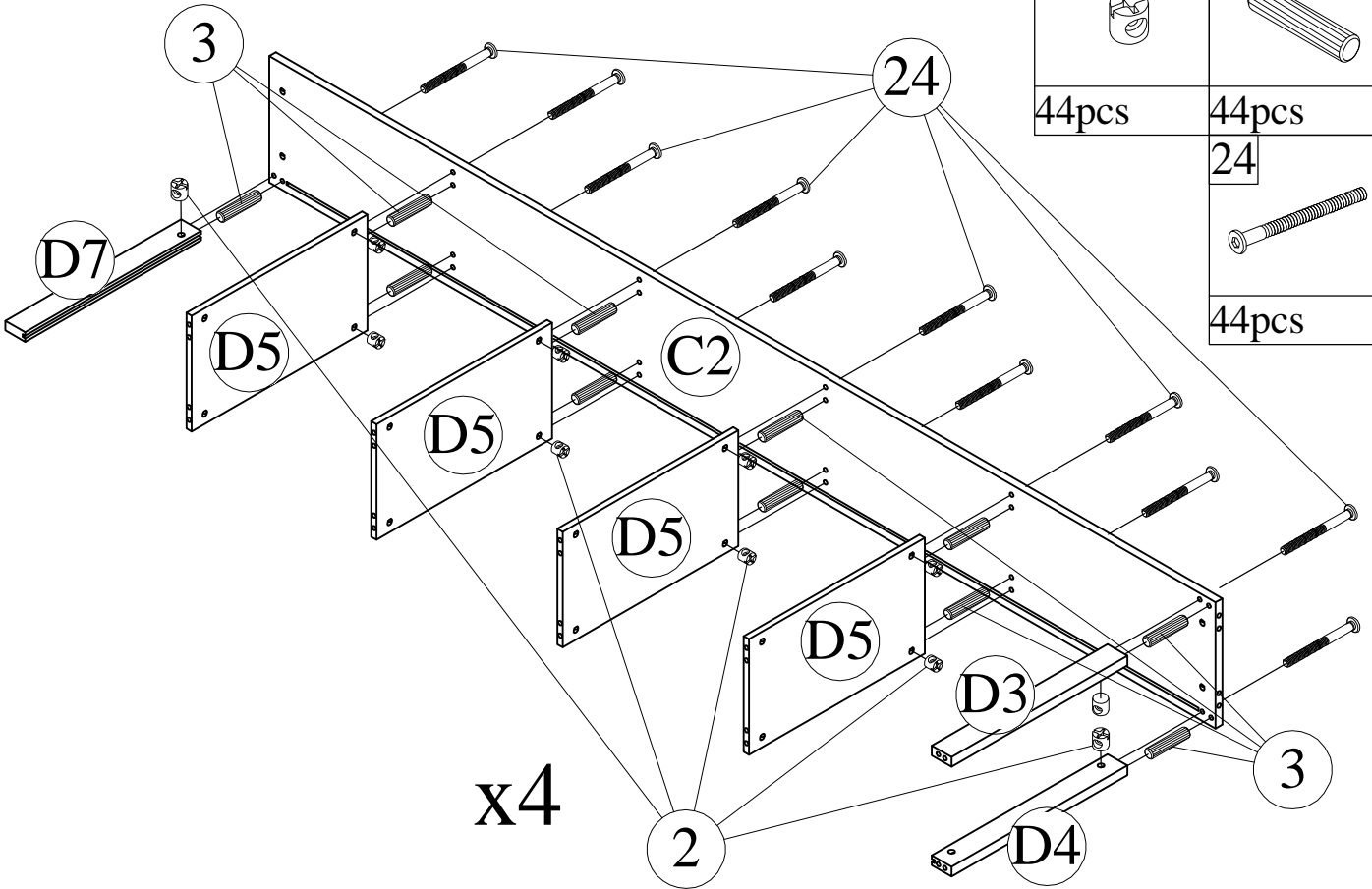
13	22	23	32
			
14pcs	3pcs	10pcs	4pcs



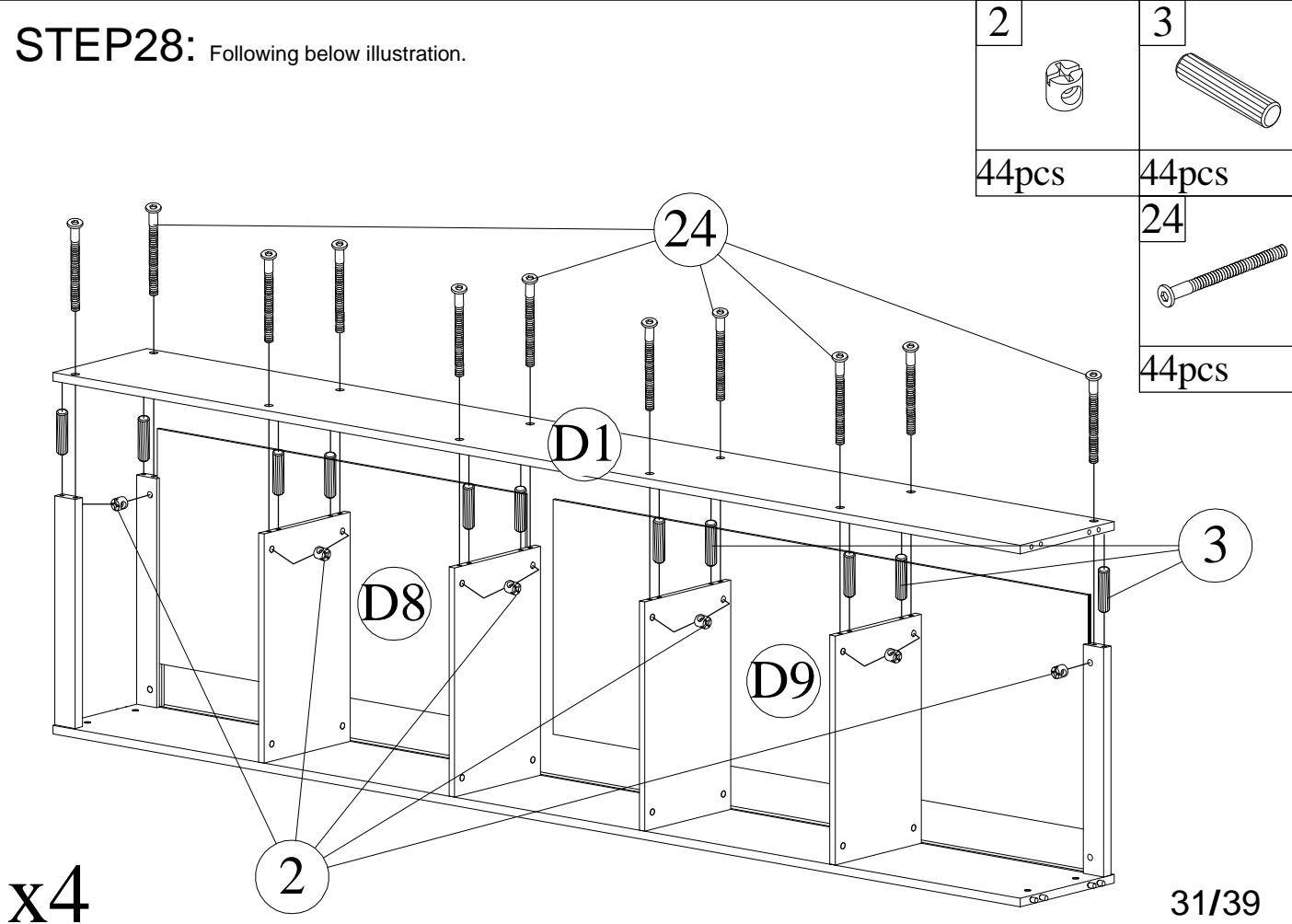
Four people are required to assemble and move this model.




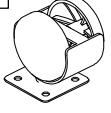
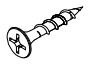
STEP27: Following below illustration.

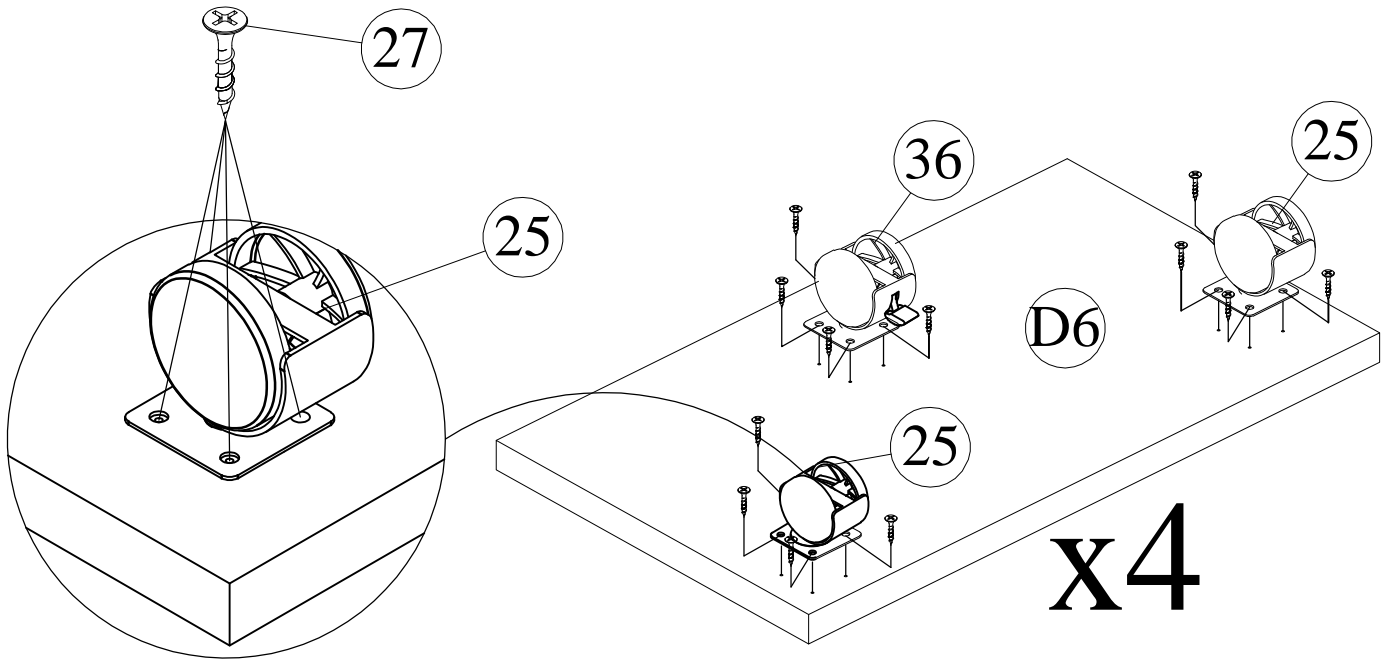


STEP28: Following below illustration.


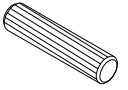
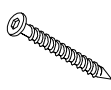



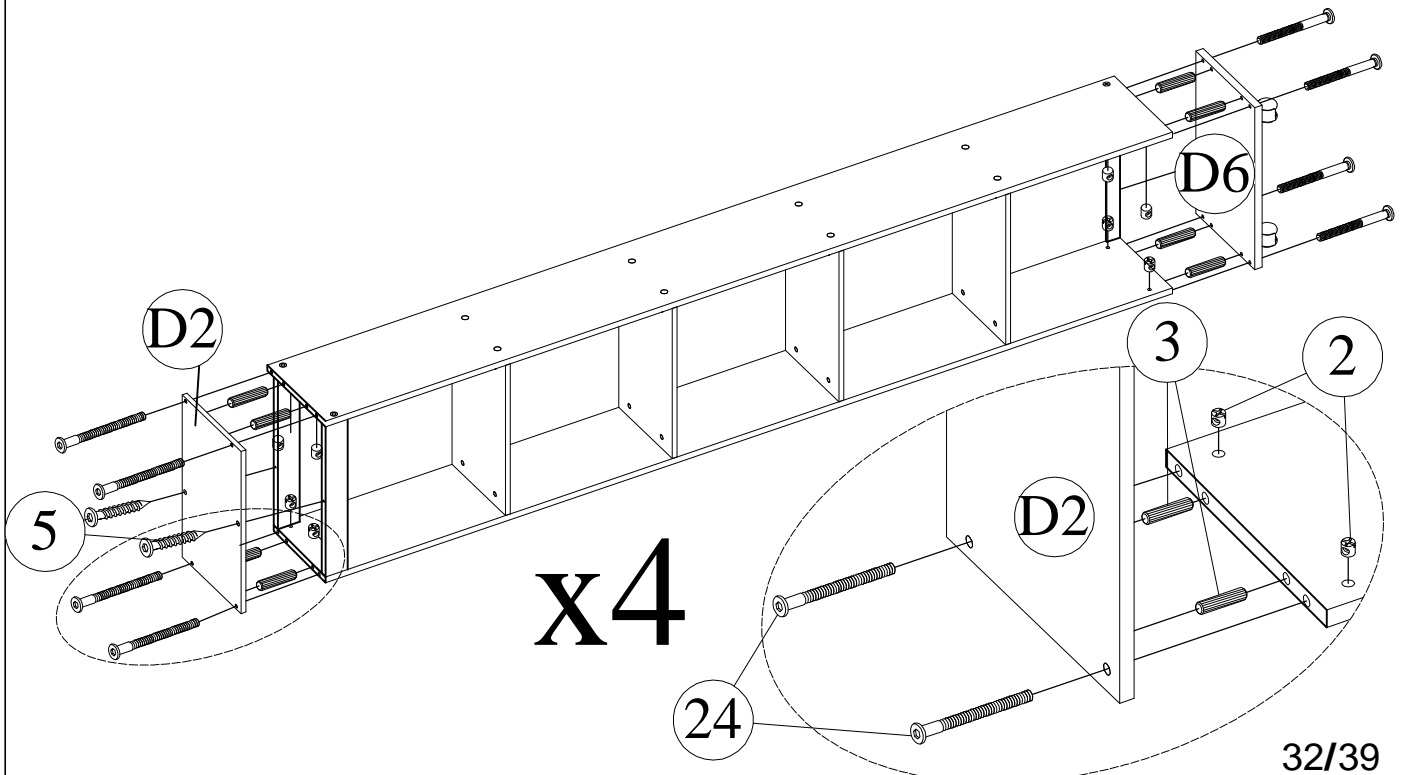
STEP29: Following below illustration.

36		25		27	
4pcs		8pcs		48pcs	

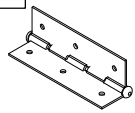
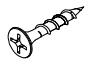


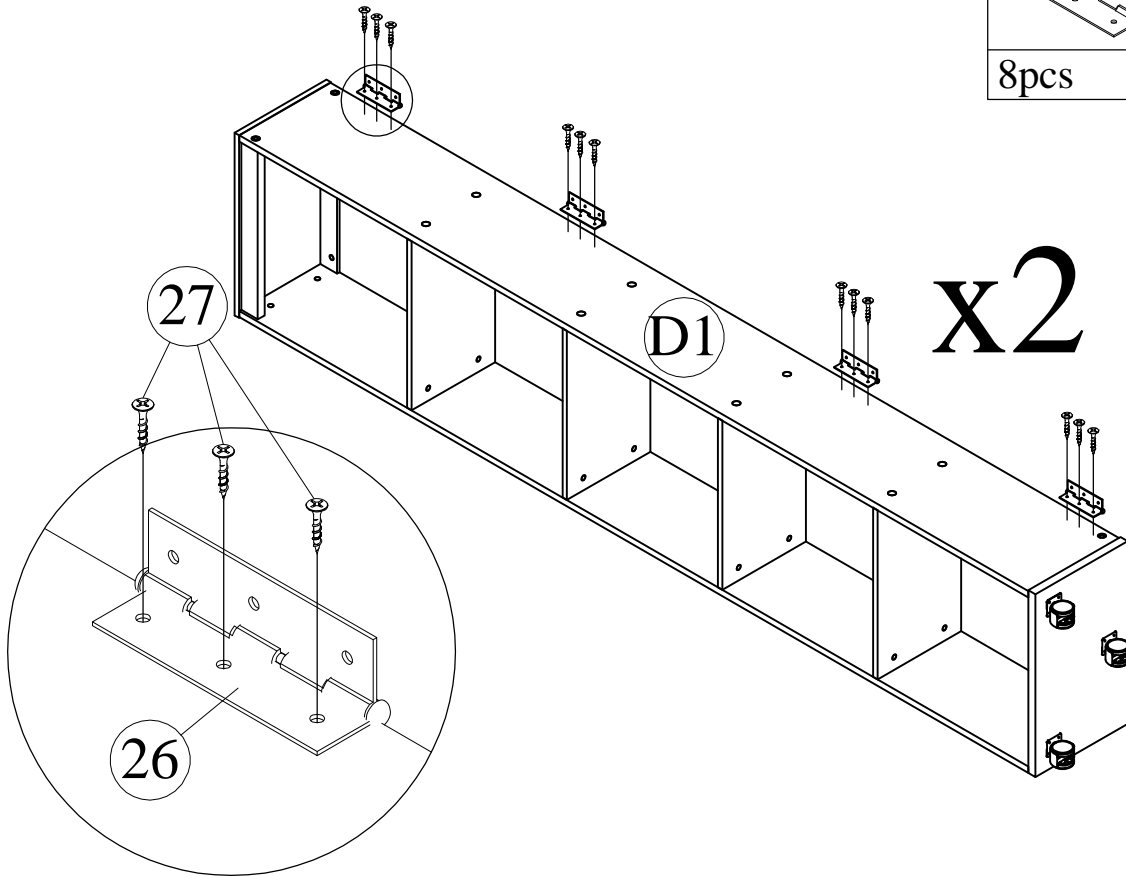
STEP30: Following below illustration.

2		3		5		24	
32pcs		32pcs		8pcs		32pcs	

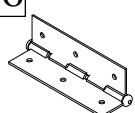
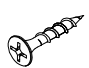


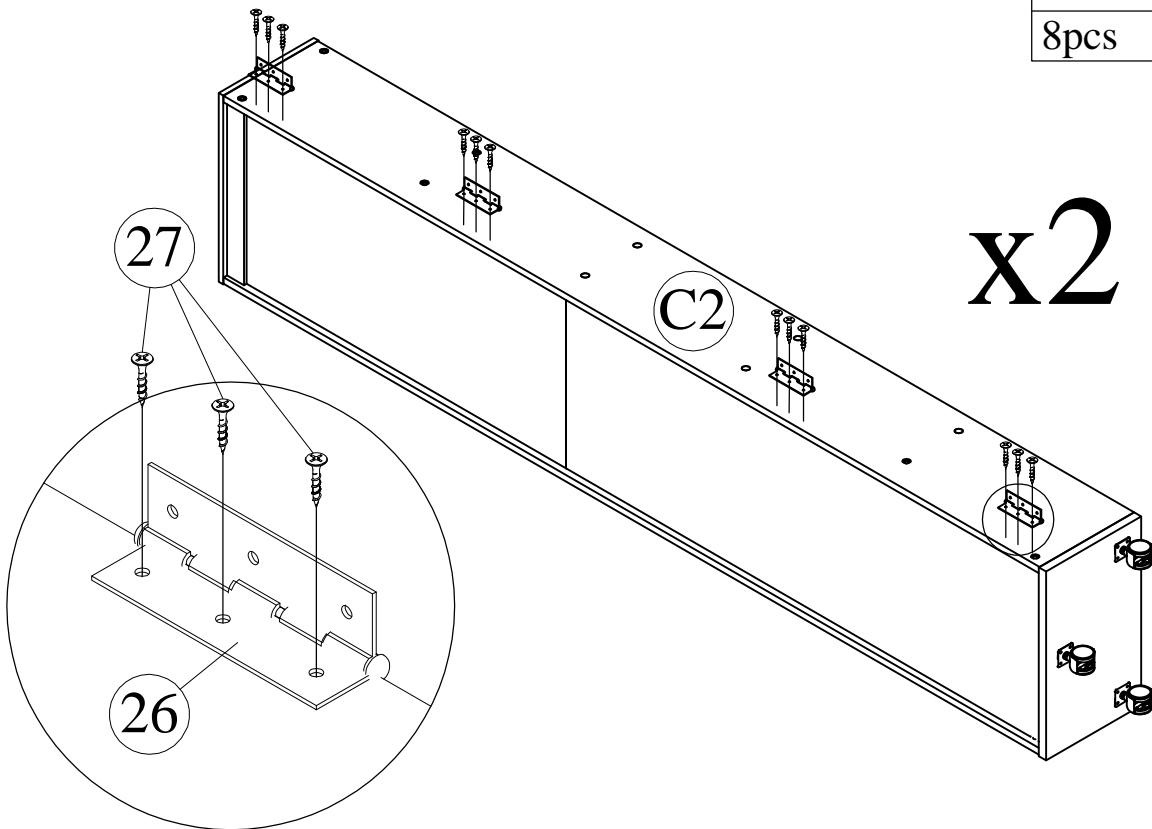
STEP31: Following below illustration.

26	27
	
8pcs	24pcs



STEP32: Following below illustration.

26	27
	
8pcs	24pcs

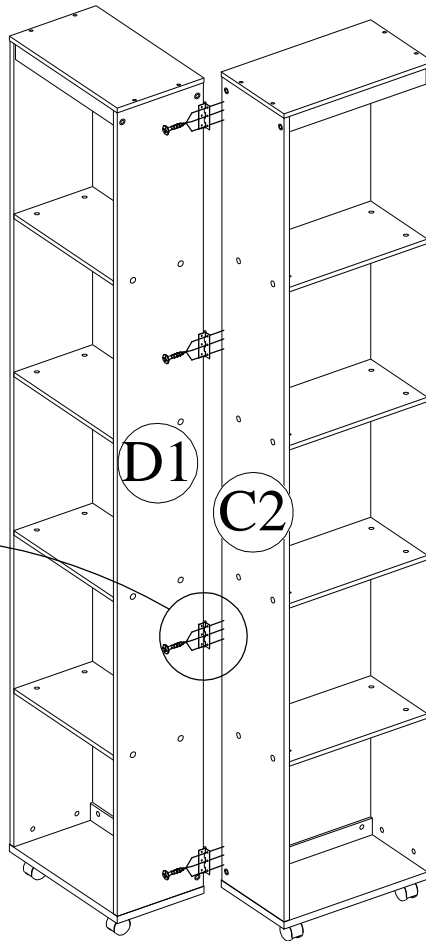
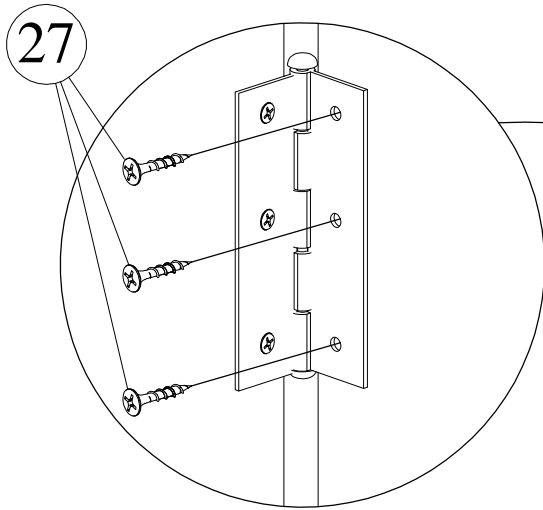


STEP33: Following below illustration.

27



12pcs

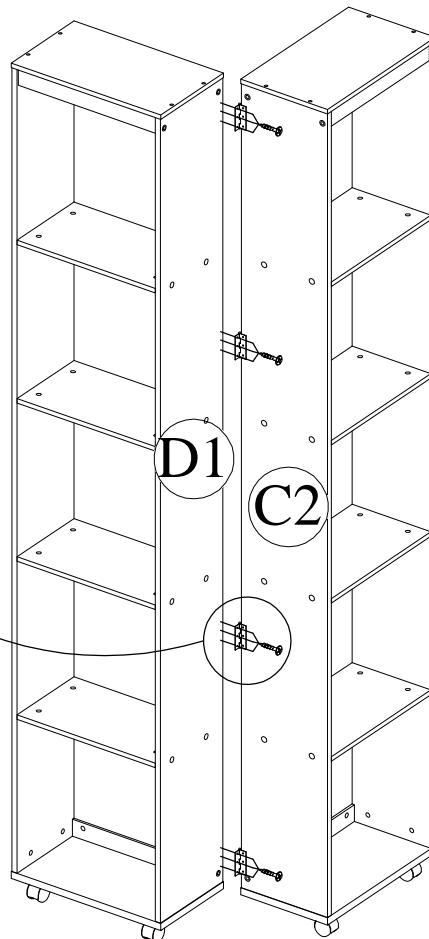
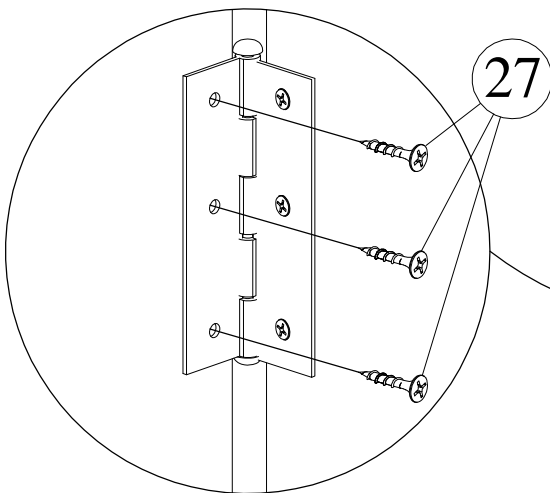


STEP34: Following below illustration.

27



12pcs

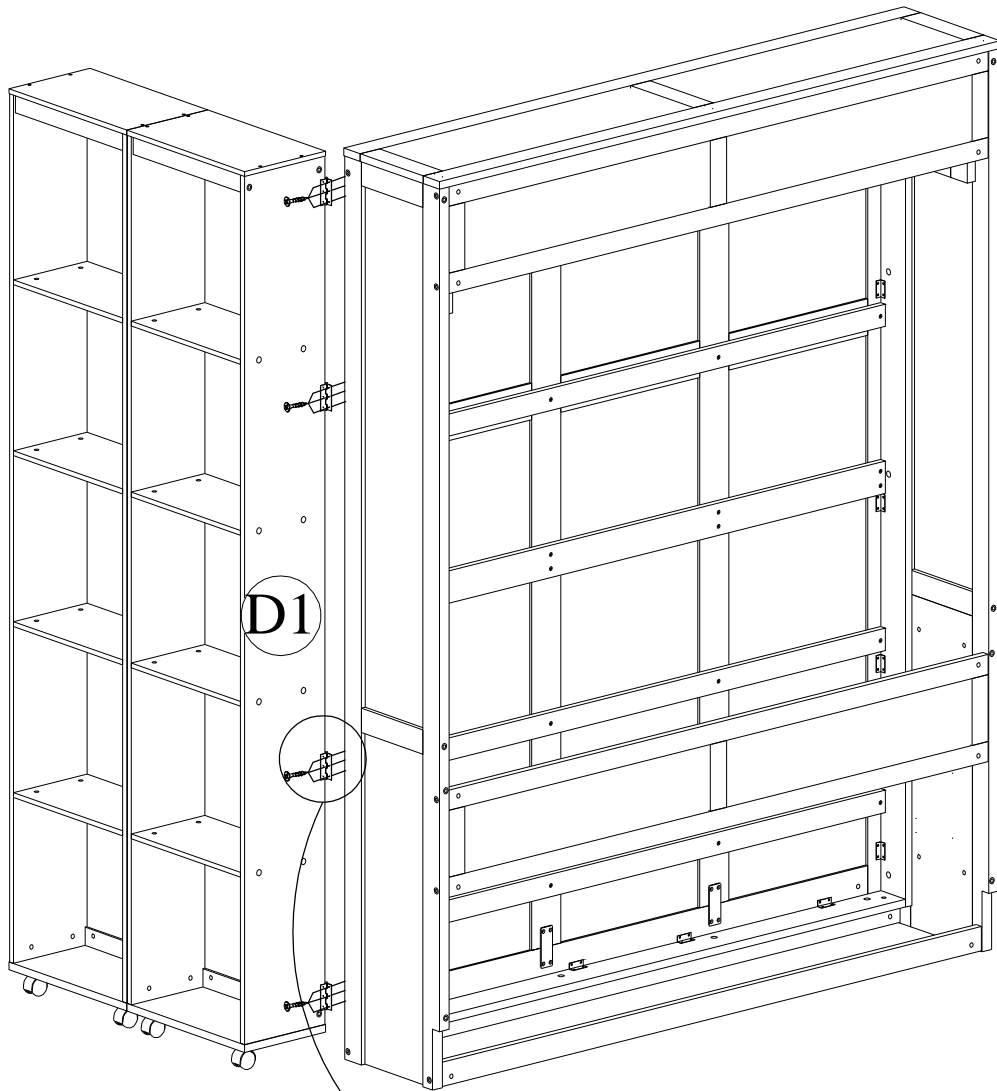


STEP35: Following below illustration.

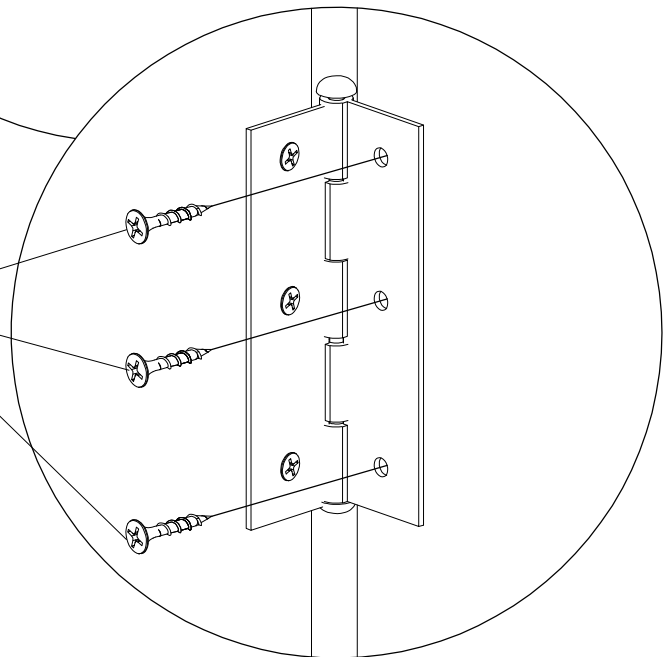
27



12pcs



27

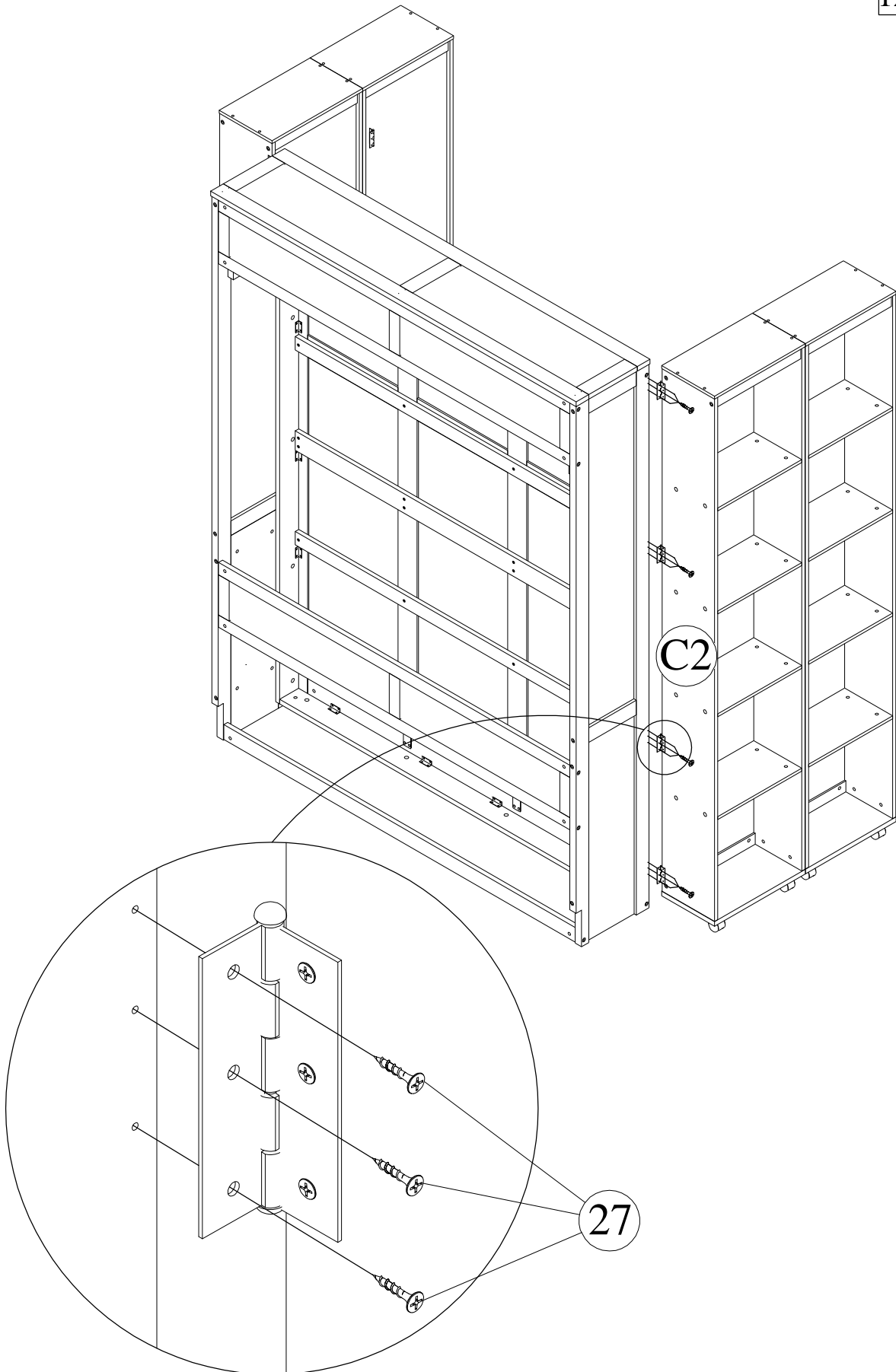


STEP36: Following below illustration.

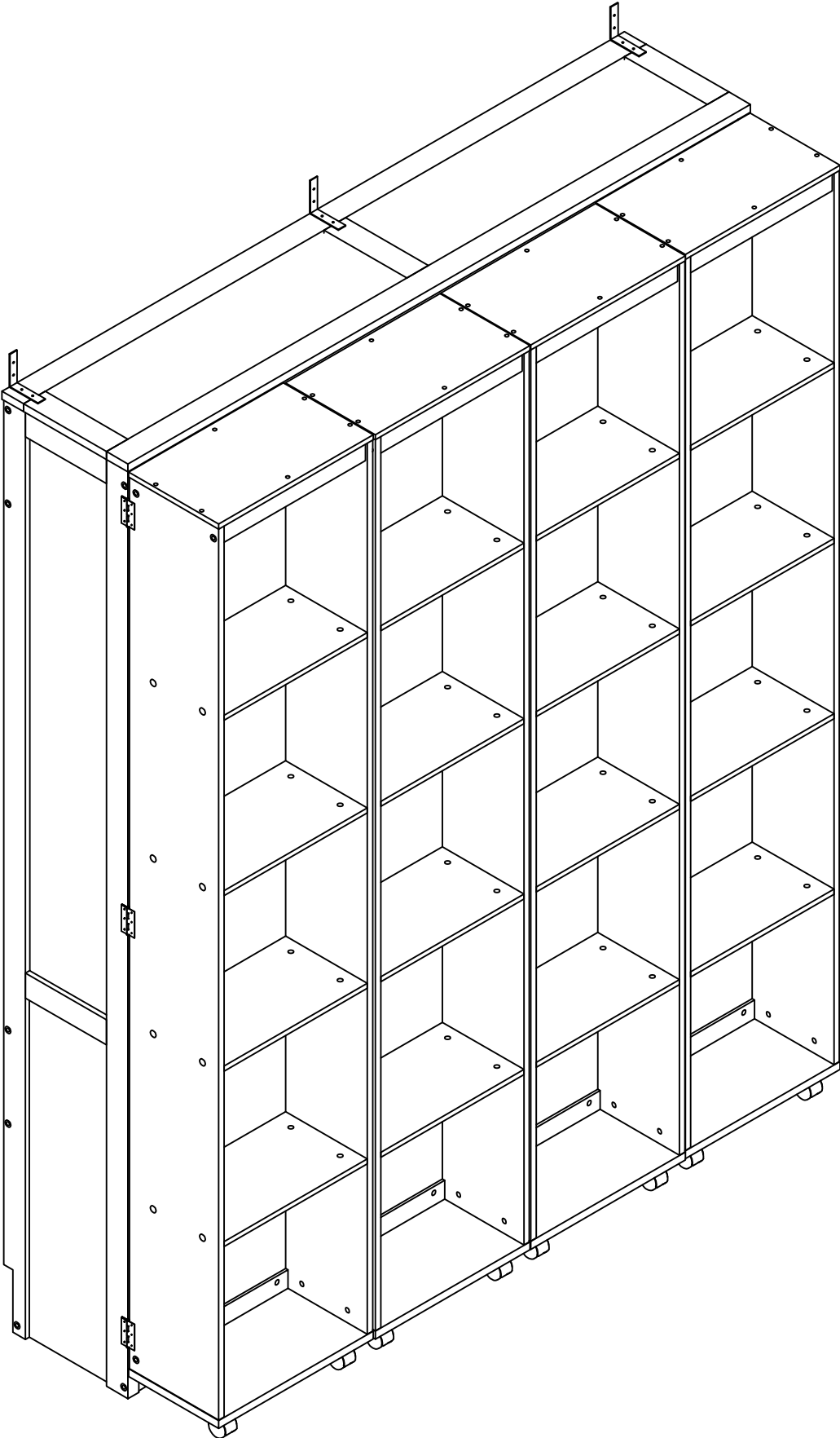
27



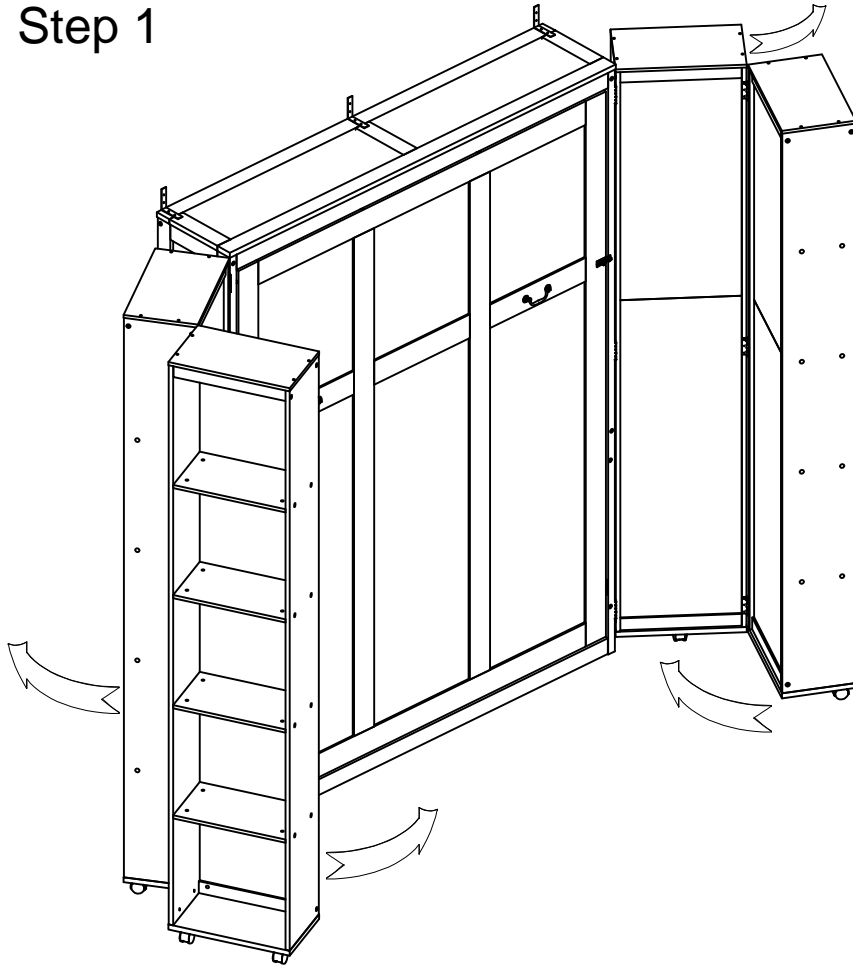
12pcs



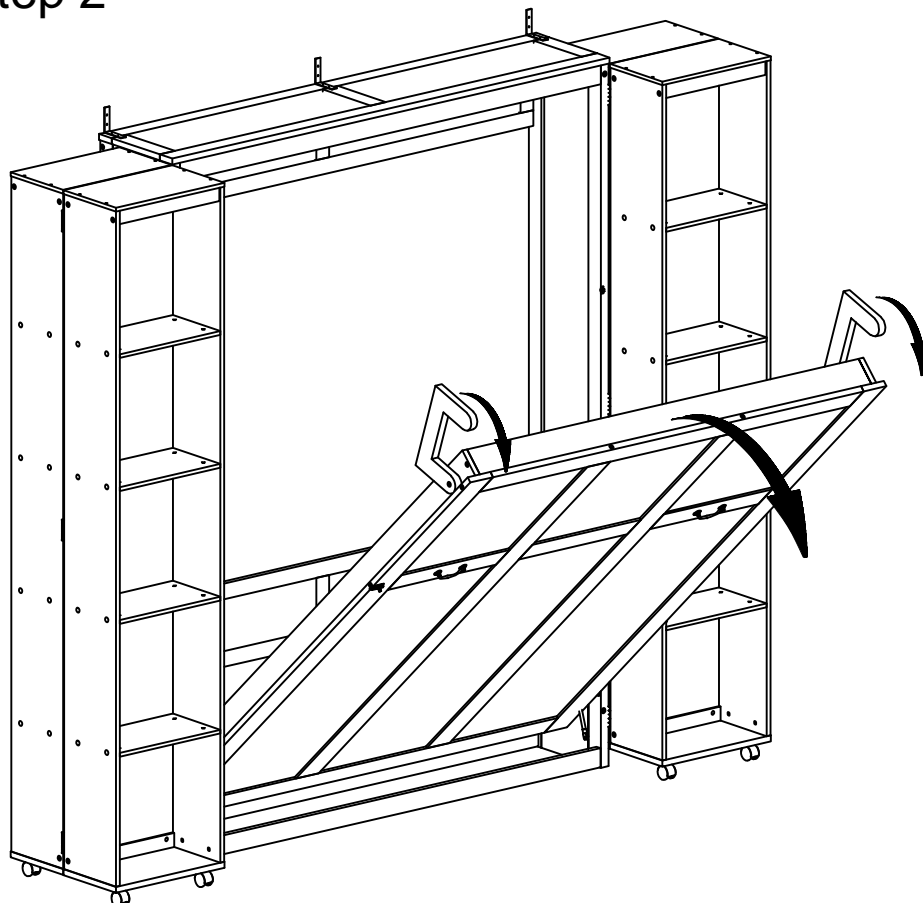
OPTION 1: FINISH



OPTION 2: Step 1



OPTION 2: Step 2



OPTION 2: FINISH

