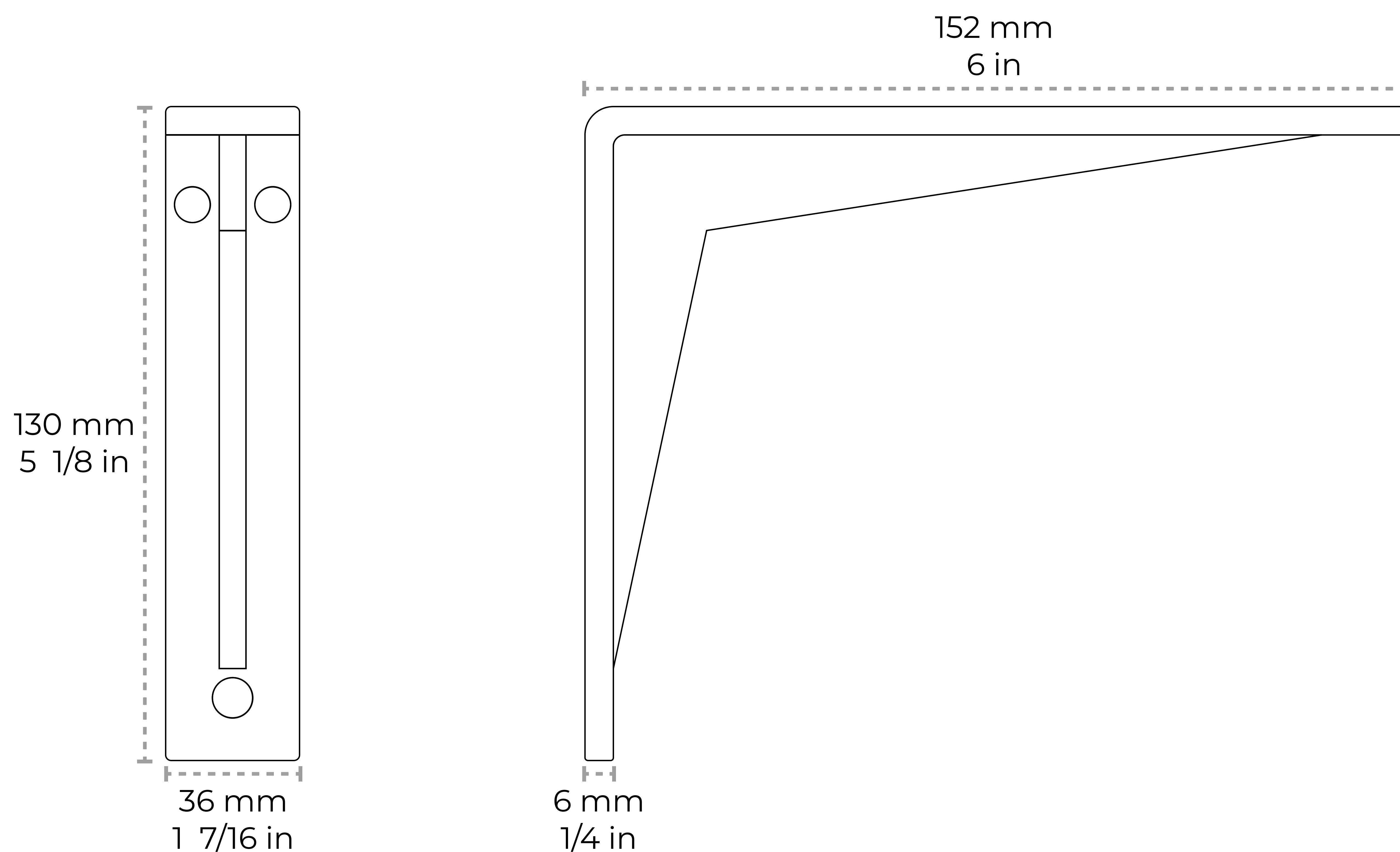


# BK-IR8208-152

[Herring Bracket IR8208] Iron Modern Heavy Duty Shelf Bracket



Material	Iron
Weight	1.06 lbs
Measurements	Length: 130 mm 5 1/8 in Width: 36 mm 1 7/16 in Projection: 152 mm 6 in Thickness: 6 mm 1/4 in

## Contact:

1-360-392-8121

<https://www.rchhardware.com>

