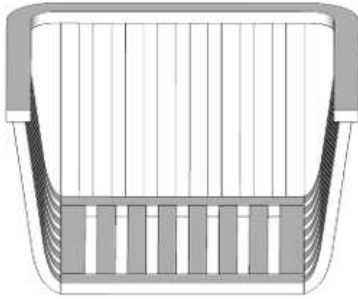


ASSEMBLY INSTRUCTIONS



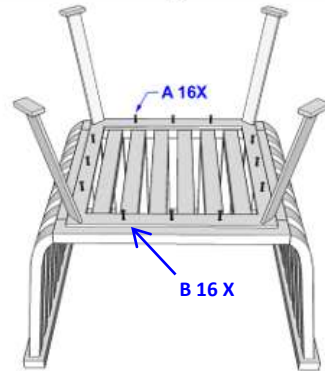
STEP 1



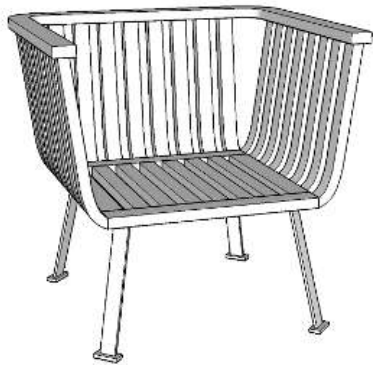
STEP 2



STEP 3





STEP 4



STEP 5

ACCESSORIES/ACCESSORI

	A	16
	B	0