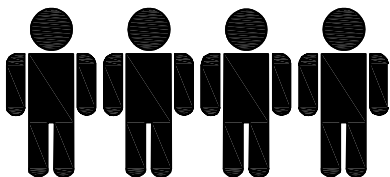
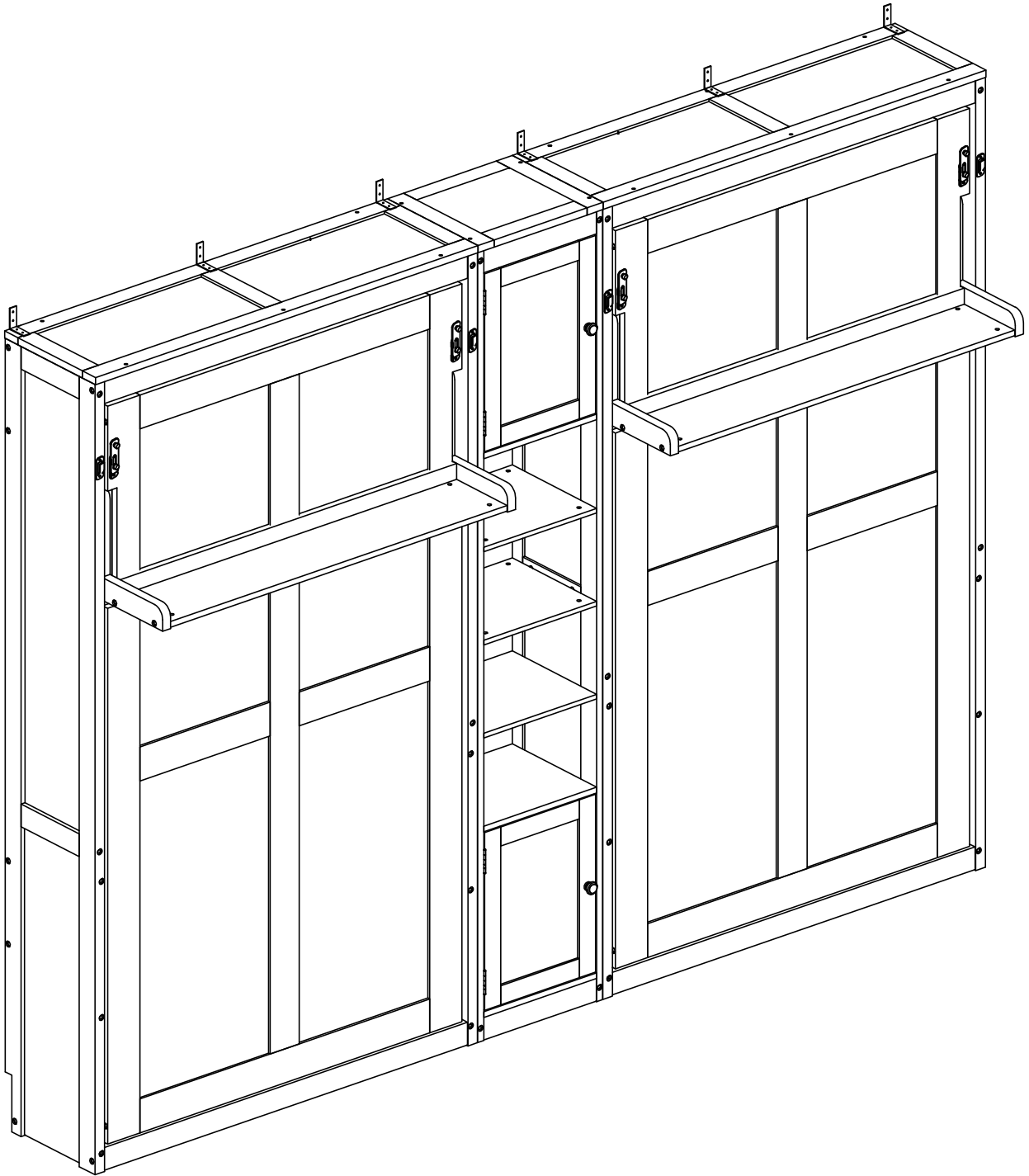


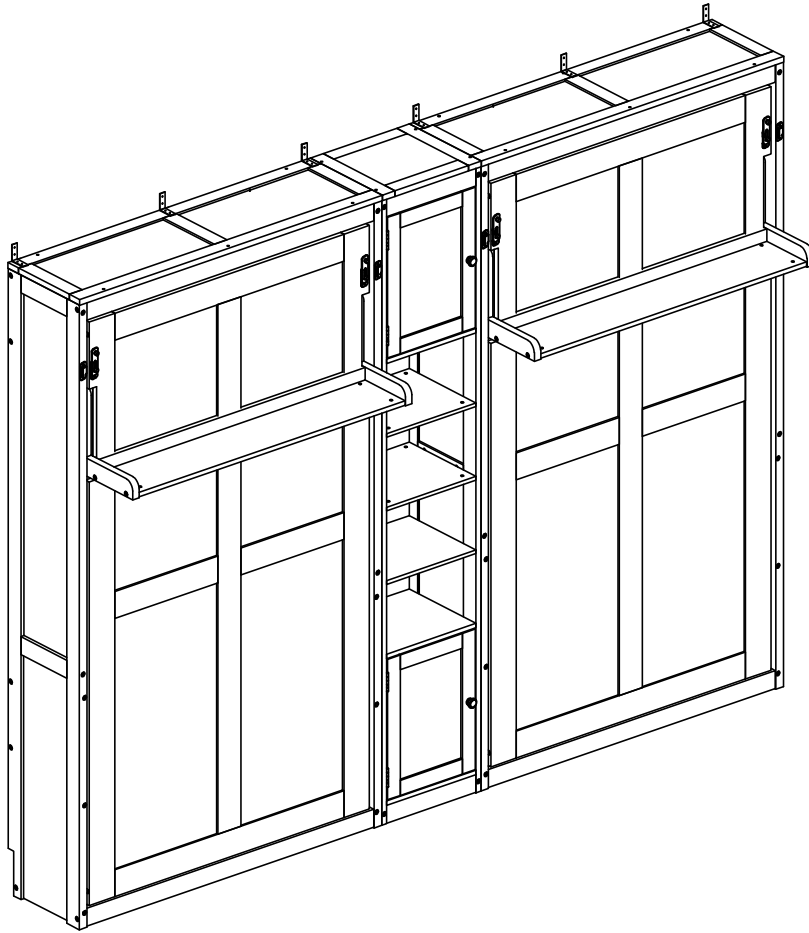
ASSEMBLY INSTRUCTION

SKU CODE: (N820P385026-027-028-029)

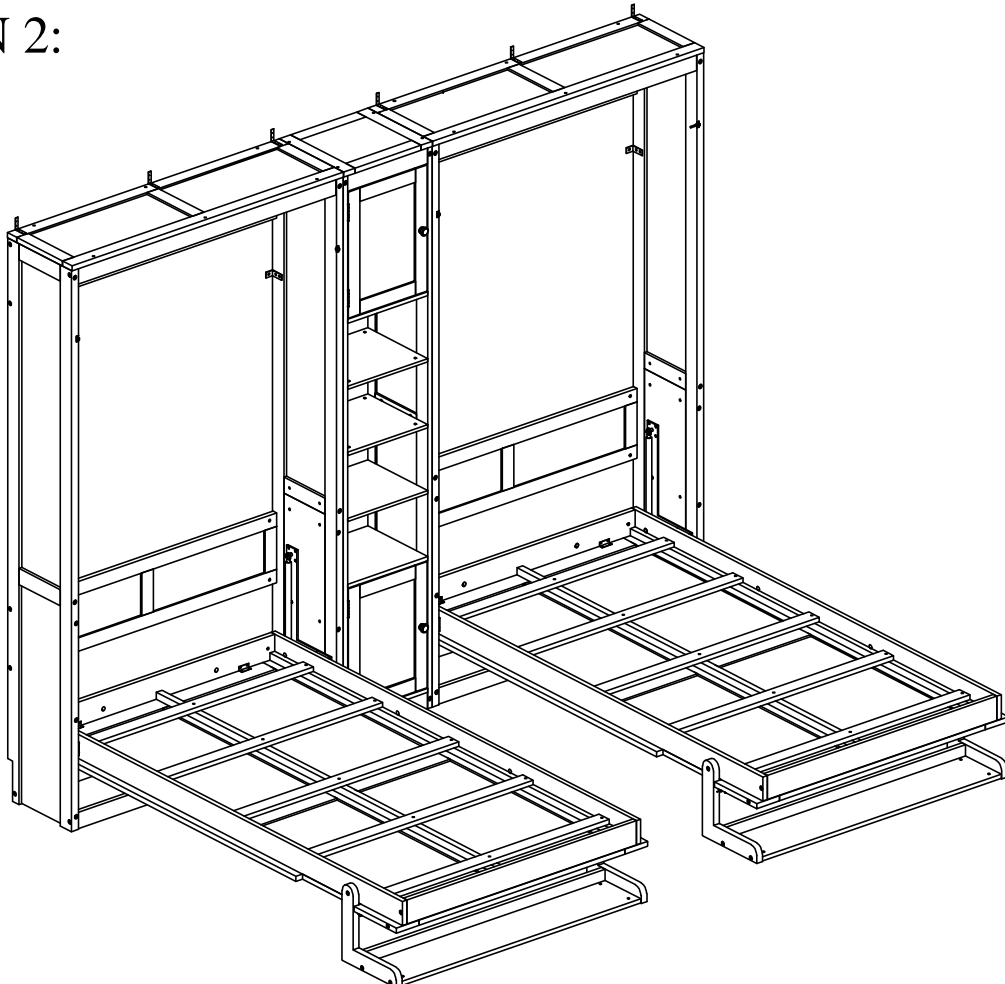


Four people are required to assemble and move this model.

OPTION 1:



OPTION 2:



IMPORTANT INFORMATION PACKAGE.

THIS INFORMATION PACKAGE CONTAINS WARNING AND PRODUCT SAFETY INFORMATION. DO NOT PROCEED WITHOUT REVIEWING THOROUGHLY.

A. WARNING LABELS.

Your purchased Murphy Bed is delivered to you with WARNING LABELS to constantly remind you to take and adopt Safety Measure throughout the entire assembly and mounting points of the Bed to the walls.

DO NOT REMOVE these labels.

These Warning Labels serve as a Reminder Tool for visiting friends and relatives when using the Murphy Bed to ensure Safety Precautions are taken.



WARNING.

IMPORTANT SAFETY REQUIREMENTS - Bed Attachment to Wall.

For Your Safety, the Murphy Bed MUST BE ATTACHED to the Wall.

Seek Certified Professional Consultant / Contractors for their Services to:

- 1.) DETERMINE the WALL Type in Your Home;
- 2.) PRECISE HARDWARE that suits to the Wall Type in Your Home;
- 3.) INSTALL / ATTACH of the Murphy Bed to the Wall in Your Home;
- 4.) VALIDATE the Murphy Bed is appropriately and securely installed/attached.

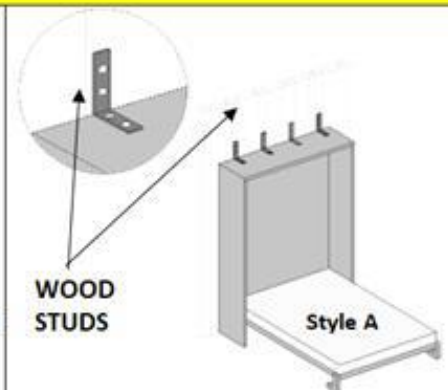
The choice of wall anchoring hardware depends on the type of wall. This Murphy Bed is delivered with HARDWARE SCREWS suited for attachment to WOOD STUDS in walls. Any STUDS type detected with your Consultant-Contractors to be NOT WOOD STUDS - DISCARD and DO NOT USE these SCREWS. Use the hardware suitable for your wall material.

Seek the professional advice of your Consultant-Contractor and procure the appropriate hardware and brackets for the attachment of the Murphy Bed to the Wall.

FAILURE TO ADHERE TO THE ABOVE INSTRUCTIONS MAY RESULT IN SERIOUS and/or SEVERE INJURIES or Death caused by the detachment of the Murphy Bed from the Wall.

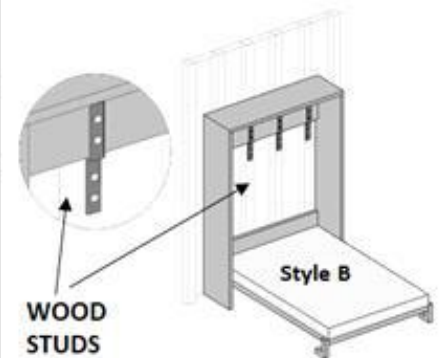
SAFETY PRECAUTION :

1.) MAXIMUM Mattress Weight suited to your Murphy Bed : 77 lbs (35 kg);
MAXIMUM mattress thickness: 8 inches (20 cm);
2.) ENSURE ADULTS ONLY throughout the entire assembly and attachment.
3.) KEEP ALL Children, Non-Ambulatory persons and Pets at bay during the entire assembly and attachment.



WOOD STUDS

Style A



WOOD STUDS

Style B

LINE ART for Reference only and NOT DRAWN TO SCALE.

MATTRESS PLACEMENT .

Only after the Murphy Bed is FULLY SECURED to the wall, the 2 adult persons who are holding down the entire Murphy Bed, can now be released for this action.

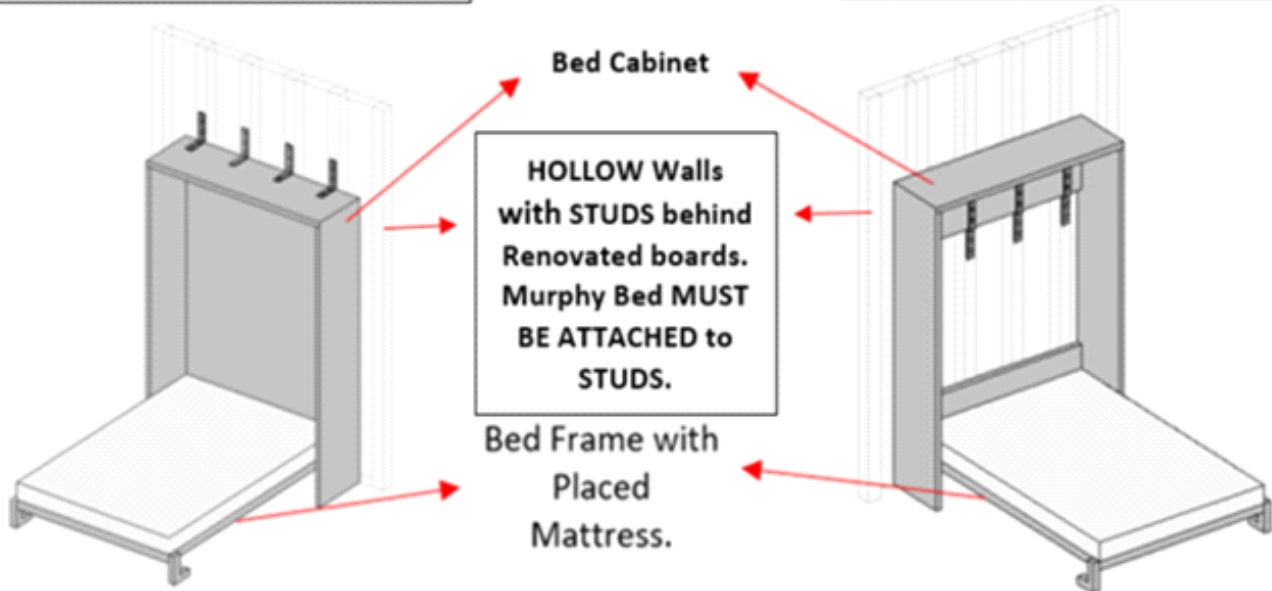
Have 1 to 2 persons – place equal strengths to the handles and gently and securely, PULL DOWN the Bed Frame until the Bed Frame is horizontally and level to the ground.

Have the other 2 persons – carry and place the Mattress (**within the recommended weight and thickness**) and gently place the Mattress on to the Bed Frame.

CAUTION : Homes are renovated differently. There are CONCRETE walls and "hollow walls". Hollow walls are reinforced with STUDS of Wooden or Steel Materials. Seek advice from professionals.

Style A - VERTICAL Murphy Bed with SEALED/CLOSED Back board.

Style B - VERTICAL Murphy Bed with OPEN STYLE Back board.



B. SAFETY REMINDERS.

MARKINGS in WALL - WHERE TO ATTACH the MURPHY BED.

Irrespective of the wall type, whether Solid Concrete Walls OR Decorative Walls with WOODEN Studs OR Decorative Walls with Metal Studs, ensure that

- you choose a professional installer who has a good understanding of the wall structure where the Murphy Bed is anchored, including the position of the wall studs and structural components in the case of a wood or metal structure.
- precise markings of the positions of the anchor points are to be made on the wall for easy identification during the Murphy Bed attachment to the wall.
- the relevant and appropriate Hardware with Metal Brackets are READY for this attachment and are within easy access for prompt and efficient attachment.

This product requires Professional Consultation and Installation*.

* When you choose the professional installer, make sure to comply with all applicable laws, regulations and rules in the city, state or country where the Murphy Bed is installed.

To have your Murphy Bed fully assembled and to achieve its intended functionality - you MUST READ through this entire Assembly Instructions Manual before you start the assembly of the bed

1.) There are numerous Safety Issues and Safety Precautionary Actions that you MUST KNOW before you start the Assembly.

2.) CAUTION - Failure to FOLLOW / ADHERE to the GUIDE, WARNING AND REMINDERS here, may result in serious / severe injuries or death.

3.) PRECAUTION : For the assembly, Adult Partners only, to assist in the entire assembly. Ensure 4 (four) to 6 (six) ABLE BODIED PERSONS ONLY in the entire assembly and attachment of this Murphy Bed to the walls of your home.

4.) CAUTION : During the entire assembly process and attachment of the Murphy Bed to the walls of your home, Keep ALL Children, Non-Ambulatory Persons and Pets completely at bay.

5.) SAFETY REMINDER on / to : Personal, Family Members and Pets. The Murphy Bed may be shipped to you in 3 to 5 packages and are HEAVY. Each carton holds many parts and components. Some of these components eg., bolts and screws are relatively small* in size.

*. During the assembly process, ensure that any misplaced bolts and nuts are picked up so that Children and or Pets do not play or ingest these.

6.) This Murphy Bed is intended for ADULT USE ONLY.

7.) This Murphy Bed is delivered to you pre-packed with Hardware - suitable for wood-framed walls renovated with WOOD STUDS ONLY.

8.) Your Home's Wall Type - Every home is renovated differently with different wall(s) type / finishes. Before you proceed to assemble your Murphy Bed :

- a.) SEEK and CONSULT Professional Services to ascertain the wall type in the designated location where you intend to attach the Murphy Bed;
- b.) ENSURE the Consultant-Contractor specifically INFORMS you of the WALL TYPE in the designated spot where you intend to attach the Murphy Bed.
- c.) ENSURE the Consultant INFORMS you specifically on the matching and relevant Hardware / Brackets to secure and attach the Murphy Bed to the wall.

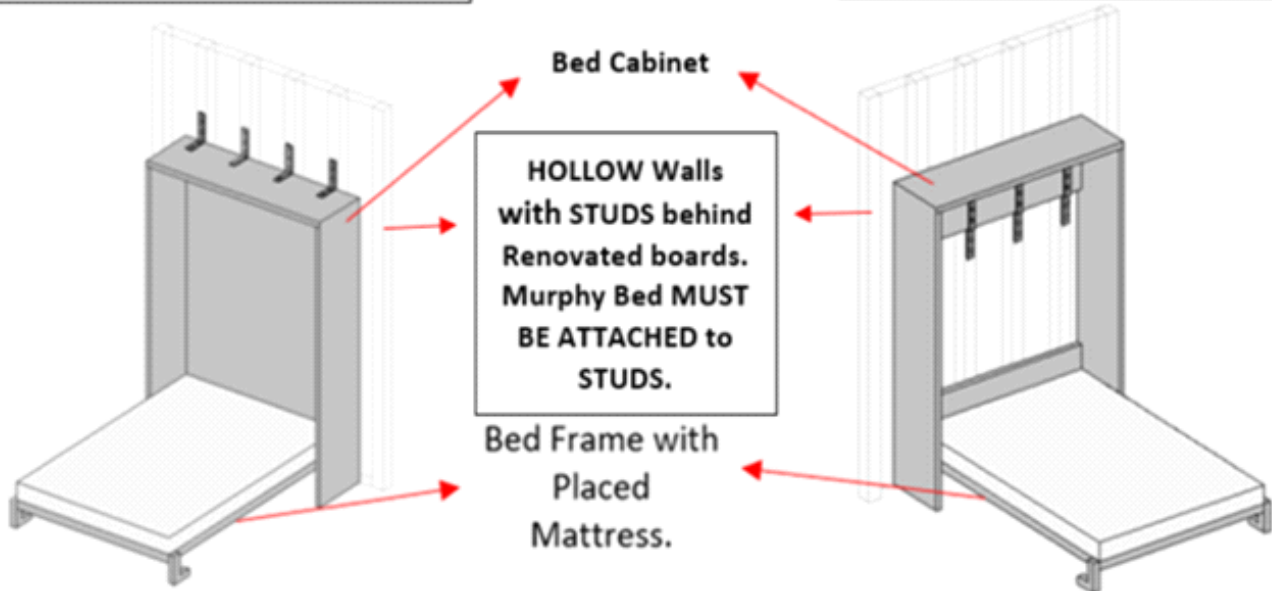
9.) WARNING - YOU MUST HEED THE INSTRUCTIONS given by your appointed Consultant-Contractor on the :

- a.) Mounting Hardware Type that suits the wall(s) type - where / when it is NOT WOOD STUDS, the pre-packed Screws for Wood Stud Walls would not match/ not fit.
- b.) Number of Mounting Points for the Murphy Bed to the Wall.

CAUTION : Homes are renovated differently. There are CONCRETE walls and "hollow walls". Hollow walls are reinforced with STUDS of Wooden or Steel Materials. Seek advice from professionals.

Style A - VERTICAL Murphy Bed with SEALED/CLOSED Back board.

Style B - VERTICAL Murphy Bed with OPEN STYLE Back board.



11.) This Murphy Bed is designed for home use and not intended for commercial use.

12.) This Murphy Bed is not intended to be moved, modified, uninstalled or disassembled once professionally installed.

A.) MOUNTING INFO & HARDWARE.

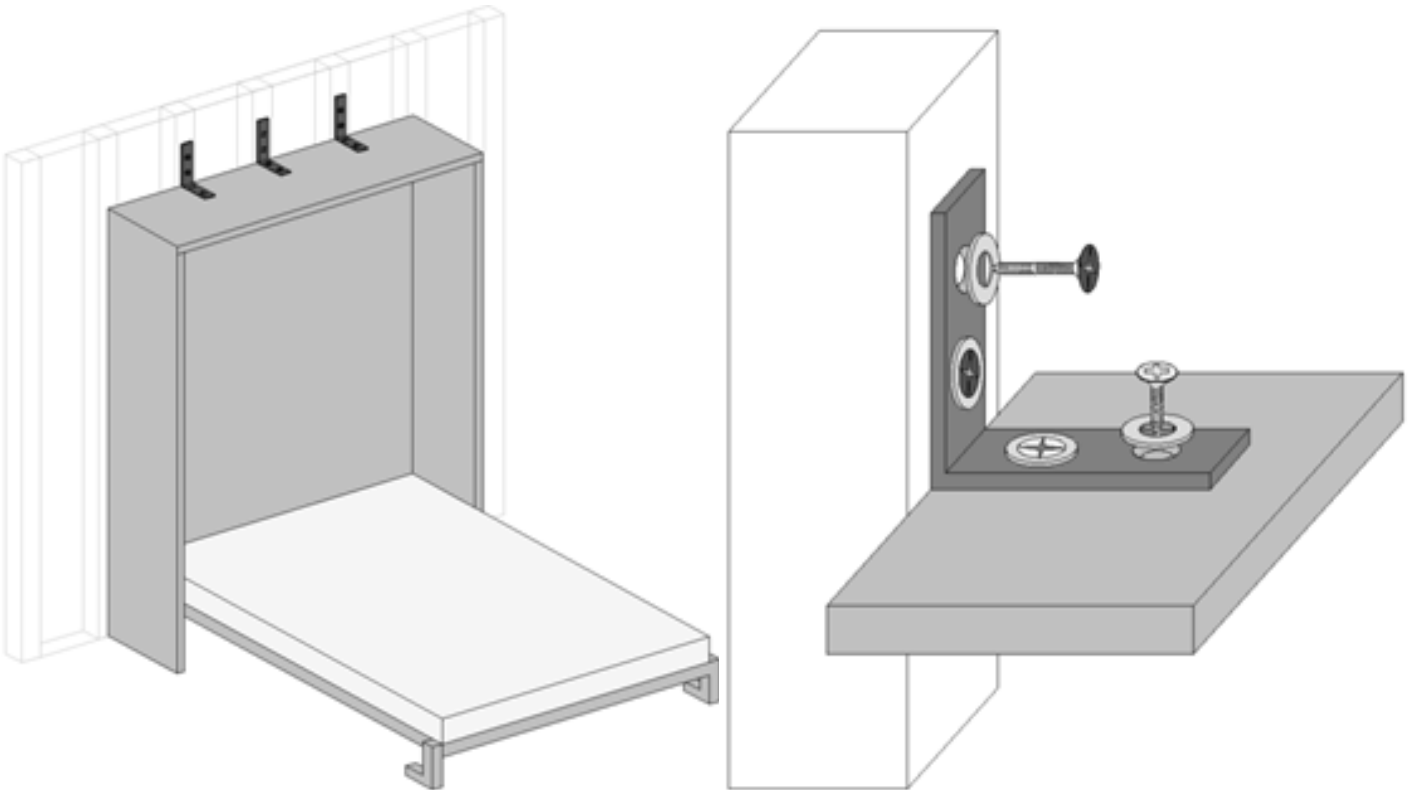
1.) REMINDERS :

- a.) In the event, that this pre-packed Screws Set does not match to the walls in your home - DO NOT USE / DISCARD these hardware.
- b.) ADHERE to the Professional Consultant-Contractor instructions and information on the RELEVANT mounting hardware that suits your wall.
- c.) Procurement of these RELEVANT hardware is an arrangement made between your Consultant-Contractor and you.

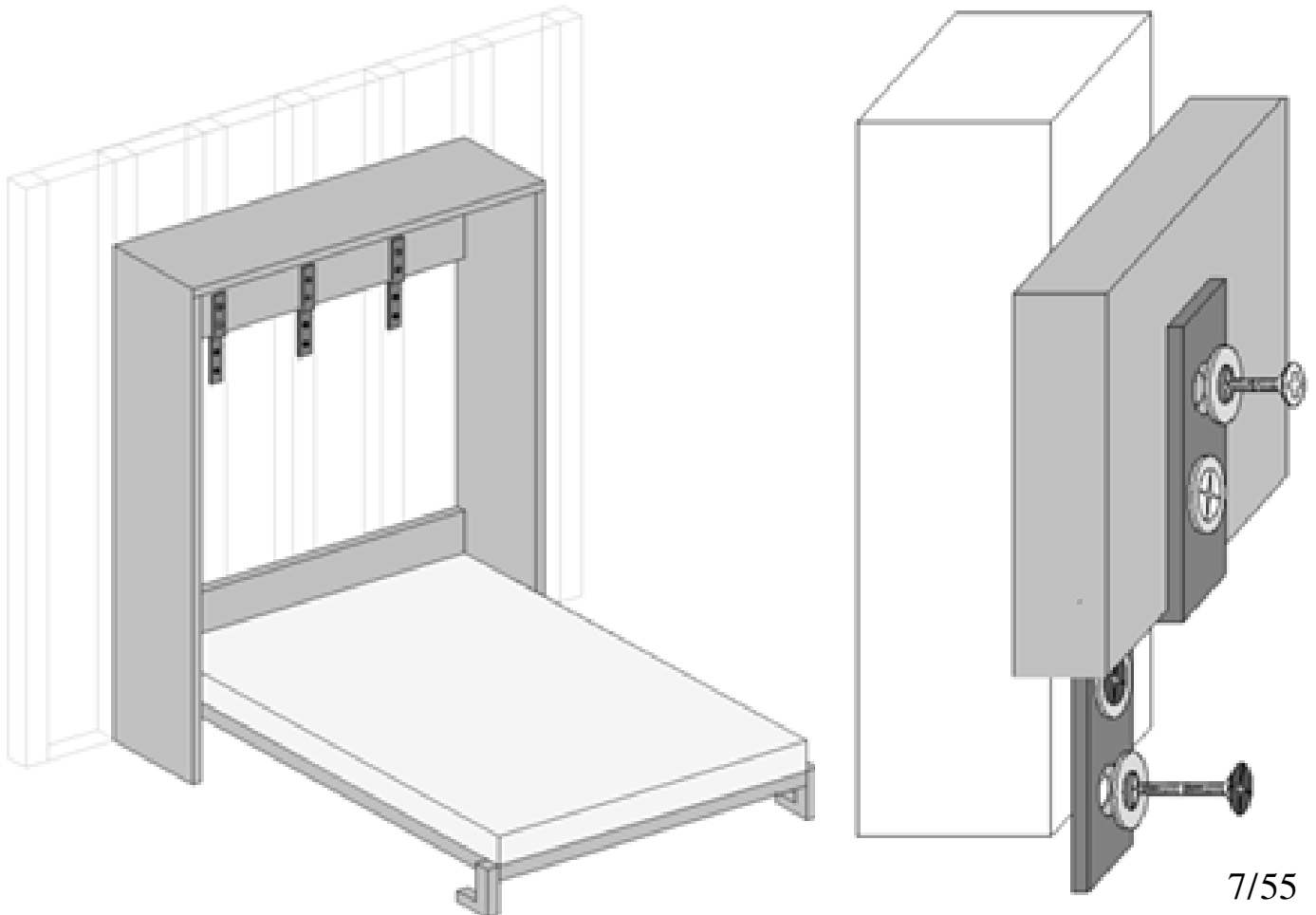
* 2.) A step ladder (not provided) is needed to attach the L-Brackets to the wall, at the Top of the Murphy Bed. DO NOT lean against the Top of the Murphy Bed, it may cause sagging.

Murphy Bed Style A

L-Bracket Fixture to Wood Studs



Z-Bracket Fixture to Wood Studs



D.) IDENTIFICATION of TOOLS and ATTACHMENT SKILL.

The parts and components to assemble the Bed Frame are stated in the Assembly Instructions. Follow the instructions with attention.

For an efficient assembly, after opening the cartons shipped to you :

- a.) open and layout all parts and components in sequence;
- b.) account for every part, hardware and component;
- c.) then lay out the parts close to each other;

Assemble and tighten each bolt / nut / screw up to 80% to allow for the Bed Frame and Bed Cabinet to be HELD together.

Upon FINAL assembly where all the parts and components are FITTED precisely, in a sequential manner - proceed to tighten each bolt & nut & screw gradually.

CAUTION :

- 1.) The METAL PLATES to the sides of the Side Rails - MUST BE FULLY and SECURELY TIED to the SIDE RAILS.
- 2.) The Piston L-Brackets that are attached to the INNER WALL of the Bed Cabinet - MUST BE FULLY and SECURELY TIED to these Inner Walls.
- 3.) These Metal Plates and the L-Brackets - are the components that are holding the Pistons that allow your Bed to “travel” to an OPEN or CLOSED position.
- 4.) Frequent Inspections of these Metal Plates / Brackets and Pistons Bolts, up to Once a Month - to ascertain these DO NOT BECOME LOOSE. For if these bolts to the Bed Frame and or Bed Cabinet or Pistons are loose, may cause the BED FRAME to become DISLODGED and cause injuries.

REMINDER : NEVER FULLY TIGHTEN any screw / nut or bolt in one session. If you DO TIGHTEN the hardware all the way into the core of the wood, this cause the parts to become skewed that would impact other parts of the item not being able to be aligned to its mounting points for assembly.

E. ALL ASSEMBLY WORKS REQUIRES A TEAM OF NO LESS THAN 4 ADULTS.

Reminder : Per above info, the cartons and products are heavy - therefore exercise CAUTION at all times and ENSURE YOUR TEAM OF 4 for the entire ASSEMBLY.

F.) ASSEMBLY of BED FRAME.

Identify all parts and components for the Bed Frame.
Assemble the Bed Frame according to the Assembly Instructions.

Upon completion of assembly of the Bed Frame, make a final inspection that all joints and parts are fully and securely attached.

Then place this assembled Bed Frame horizontally flat on the ground, some 10feet away, so as to allow room for the assembly of the Bed Cabinet.

G.) ASSEMBLY OF BED CABINET.

Identify all parts and components for the Bed Cabinet.
Assemble the Bed Cabinet according to the Assembly Instructions.

Upon the completion assembly of the Bed Cabinet, make a final inspection that all joints and parts are fully and securely attached.

CLEAR all debris in the area where your Murphy Bed is going to be attached to the wall.

Move this FULLY ASSEMBLED BED CABINET and position this BED CABINET some 2feet to 3 feet away from the designated Wall, where you have previously made markings.

SAFETY REMINDER - The Cabinet is NOT ATTACHED TO THE WALL, YET. From here on - YOU MUST HAVE 2 ADULT to HOLD and STABILISE this BED CABINET, to prevent the Bed Cabinet from TIPPING OVER.

H. ATTACHMENT OF BED FRAME TO BED CABINET.

Safety Reminder : DO ENSURE the 2 adult persons holding the Bed Cabinet is IN POSITION ALL THE TIME.

The other 2 adults shall lift and carry the Bed Frame and attach to the L-Bracket - at the inner walls of the Bed Cabinet.

Thereafter, gently LIFT THE Bed Frame to a CLOSED POSITION.

I.) ATTACHMENT OF PISTONS TO HOLD & SUPPORT BED CABINET TO BED FRAME.

The Murphy Bed, is now still placed at 2feet to 3feet, from the wall.

The 2 adults, upon attachment the Bed Frame to the Bed Cabinet, shall get the Pistons, and move to the back of the Murphy Bed. Both persons shall - then attach the Pistons to the Bed Frame and Bed Cabinet.

You may need to - LIGHTLY slide forward-backward to adjust and create gap space so as to enable the Pistons to be hooked to both ends of the hanging bolts in the Inner Wall of the L-BRACKET

Fully Secure and Tighten these Bolts at each end of the Pistons.

J.) Attachment of Safety Latches.

Upon completion of Step I above, ensure the entire structure of Bed Frame to Cabinet is fully and securely attached as ONE UNIT - affix the Safety Latches.

These Latches are to be reachable by Adults Only. Thus, the minimum height shall be no less than 5feet (1.5m) from ground.

K.) POSITIONING THE MURPHY BED INTO ITS FINAL POSITION.

At this juncture, the Murphy Bed is ASSEMBLED BUT NOT AS A FULL & COMPLETE piece of furniture AND NOT FUNCTIONAL AS A BED YET, as it is NOT SECURED TO THE WALL.

DO NOT ATTEMPT TO OPEN THE MURPHY BED AND OR TEST SLEEP AND OR LIE-INTO the Murphy Bed.

ALL 4 (four) adults shall now move the entire Murphy Bed to the FINAL DESIGNATED Position, matching to the previously marked "SCREW-IN" positions in the walls.

L) ATTACHMENT OF MURPHY BED TO WALL.

With the Murphy Bed now in its final designated spot, 2 adult persons shall continue to hold down the entire Murphy Bed.

REMINDER : FOLLOW the INSTRUCTIONS from your Professional Consultant / Contractor.

Position the Ladder (where necessary) and FULLY & SECURELY turn in the BOLTS or SCREWS into the CONCRETE WALL or WOODEN STUDS or STEEL STUDS.

SEQ	Bed Description	Bed Size	Details.
1	Single/Twin(XL)	~38*75/80~ inches	Attach at least 2 pieces of L or Z Hardware onto the Wall or Studs;
2	Full	54*75inches	Install at least 3 pieces of L or Z Hardware onto the Wall or Studs;
3	Queen	60*80inches	Install at least 3 pieces of L or Z Hardware onto the Wall or Studs;
4	King	76*80inches	Install at least 4 pieces of L or Z Hardware onto the Wall or Studs;
5	Other Bed Size		Other Bed Sizes - seek advice from your Contractor

Recommended Mattress weight (55)lb or (25)kg / Recommended Mattress thickness (6)in or (15)cm - Your Murphy Bed is made having taken into consideration the Bed Frame Weight and Mattress weight to pair with the Pistons Newton Force.

Therefore, load your bed with the RECOMMENDED MATTRESS Weights, Size and Thickness as stated here in the assembly instructions.

DO NOT LOAD any heavier and or LARGER and or LIGHTER Mattress than what is recommended here.

M.) MATTRESS PLACEMENT .

Only after the Murphy Bed is FULLY SECURED to the wall, the 2 adult persons who are holding down the entire Murphy Bed, can now be released for this action.

Have 1 to 2 persons - place equal strengths to the handles and gently and securely, PULL DOWN the Bed Frame until the Bed Frame is horizontally and level to the ground.

Have the other 2 persons - carry and place the Mattress (within the recommended weight and thickness) and gently place the Mattress on to the Bed Frame.

N) PISTON NEWTON-LOAD STRENGTH.

You are hereby reminded that when the BED FRAME is EMPTY OF MATTRESS, the Bed Frame may NEED a STRONGER force to be pulled down before you can place the Mattress.

This RESISTANCE to be PULLED DOWN is a normal characteristics of the Pistons Newton-Load force is “in action”.

O) BED STRAP - GUIDE STRAP

Your Murphy Bed may or may not come equipped with a Bed Strap.

This Bed Strap serves as a GUIDE STRAP to help you lift the Bed Frame some 6 inches or so off its resting position. Then use both hands to FULLY LIFT HOIST the Bed Frame to its closing position.

SAFETY REMINDER :

1.) DO NOT USE THE BED STRAP to PULL DOWN TO OPEN the BED FRAME from its CLOSED POSITION.
2.) DO NOT USE THE BED STRAP to PULL-LIFT-HOIST the BED FRAME from the OPENED-HORIZONTAL position, to the CLOSED POSITION.

Both the above may cause injury and or unnecessary strain to your arm(s).

P.) USING YOUR MURPHY BED.

For EVERY USE - exercising Safety Precautionary Measures to ensure the safety of your family members and pets are IMPORTANT.

Therefore, PRIOR TO OPENING / PRIOR TO CLOSING OF YOUR MURPHY BED - Make sure all Children / Non Ambulatory Persons and Pets are at bay.

KEEP CHILDREN and NON-AMBULATORY persons from Unlatching the Safety Latches.

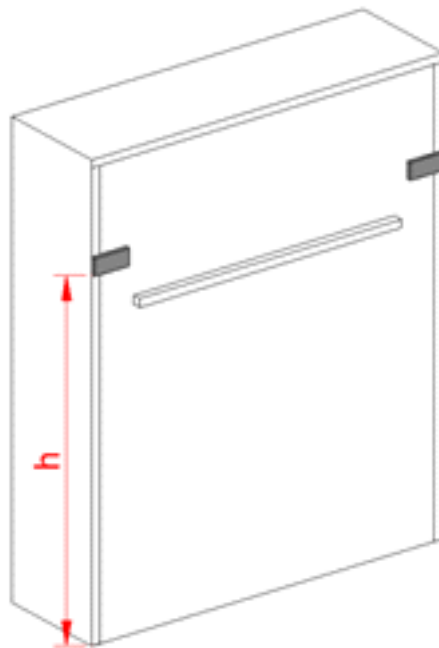
Q.) CAUTION : DO NOT BE DISTRACTED During EVERY OPENING and CLOSING of your Murphy Bed.

Every time you Pull to OPEN the Murphy Bed from its closed position OR Lift-Pull to CLOSE the Murphy Bed to stow it into the Bed Cabinet -

- give these actions your focused and dedicated attention.
- DURING EVERY OPENING and CLOSING of your Murphy Bed - always ensure you have an Adult Partner close by for added assistance, where necessary.
- DO NOT OVER EXERT ADDED FORCE to OPEN the Bed or to CLOSE the Bedframe. For if you do, the resistance of the Piston will only make it harder for you to complete the task.
- TO CLOSE the Murphy Bed : depending on your height - stand some 6 inches to 10 inches away from the FootBoard edge. Use both your hands and place both hands at about equal distance from the middle of the Bed Frame, spaced at 2 to 3 feet between your hands - GENTLY LIFT-PULL to Close your Murphy Bed.
- TO OPEN the Murphy Bed : using equal force - place your hands to the installed grab handle and GENTLY PULL towards you to Open. As you pull Open the Murphy Bed - proceed to move backwards, slowly and steadily, so as to give way to the Murphy Bed's OPEN Position.

- During EVERY OPENING or CLOSING of the Murphy Bed - at about your hip level - you may find that you need to rotate your hand / wrist - take caution here to prevent injury.
- During EVERY OPENING and CLOSING, keep Children and Pets and Non Ambulatory Persons at bay.
- NEVER allow your children to treat this Murphy Bed as a Hide and Seek place of fun or jump on the bed.
- Care & Maintenance - Depending on the frequency of use of your Murphy Bed, it is recommended that you take precautionary Care and Maintenance. It is advisable to conduct NO LESS THAN 2 to 3 checks annually on these mounting points & pistons to ensure that these are securely bolted. Where necessary, use a vacuum cleaner to clear all dust and then wipe down with a damp cloth, then proceed with your maintenance work.

Safety Latches - Your Murphy Bed comes with two (2) Safety Latches. These are to be attached at both the TOP LEFT and TOP RIGHT hand upper portion, minimum of 5 feet (1.5m) from ground, of the Bed Frame / Bed Cabinet. Monitor and Inspect these frequently.



- Whenever NOT in use and after the Murphy Bed has been LIFTED and stowed in its CLOSED POSITION - ALWAYS LATCH UP.

Frequently Asked Questions. Malfunctioned Pistons.

How do you know when the Murphy Bed's Piston has malfunctioned?

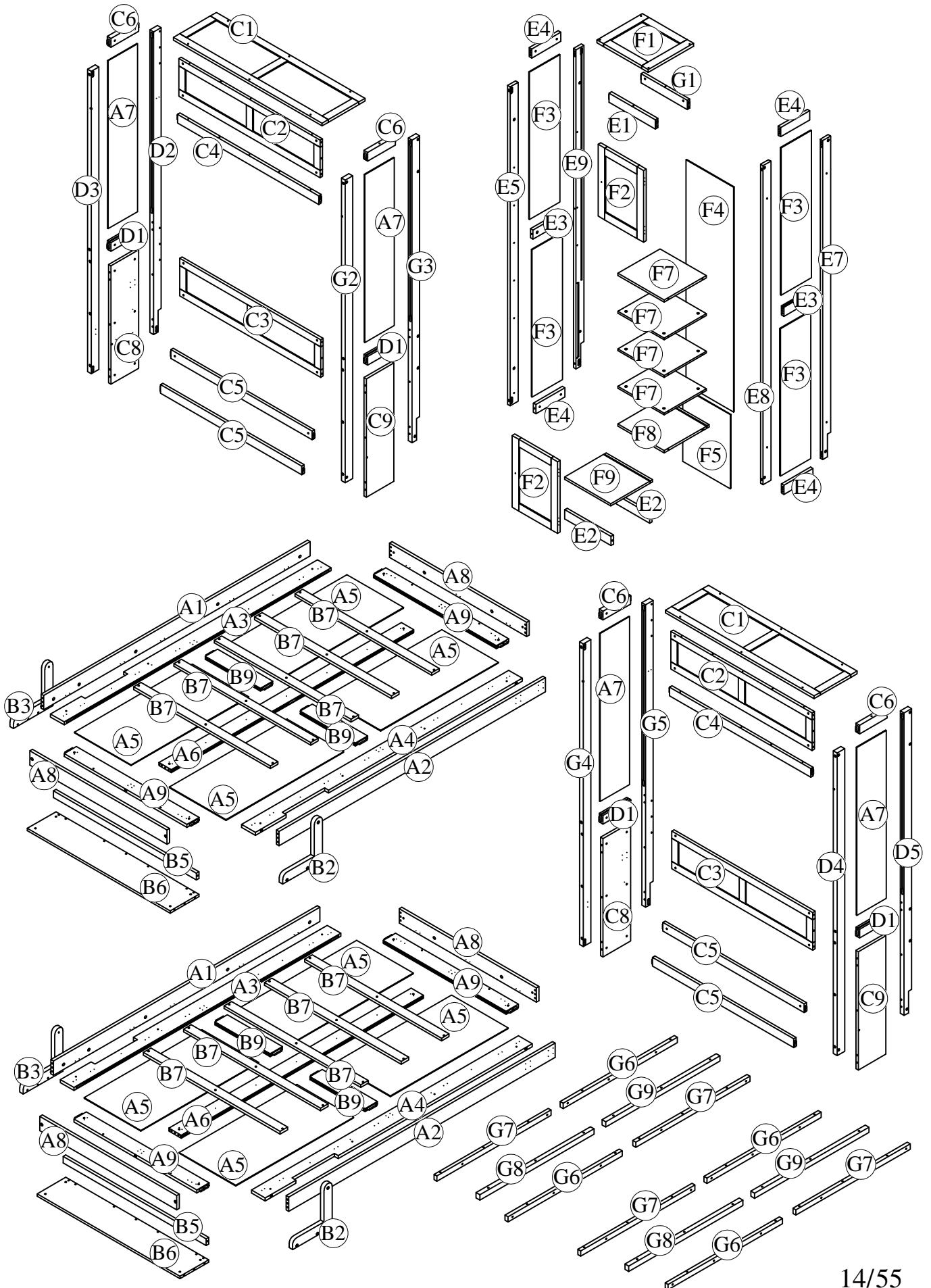
It would be quite evident in that :

- a.) the Bed Frame may become LOPSIDED and
- b.) the Lift-PULL force to CLOSE may be "heavier" than before.

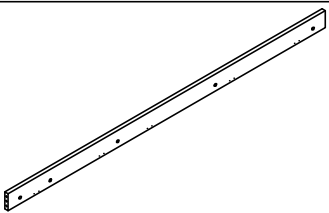
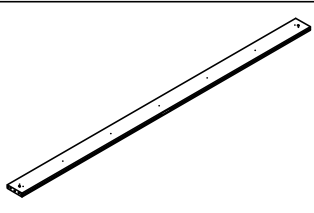
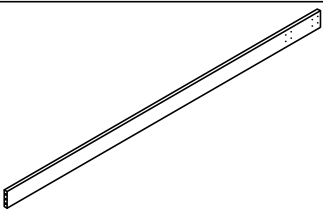

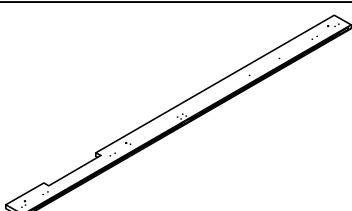
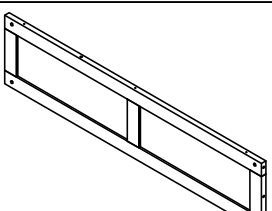
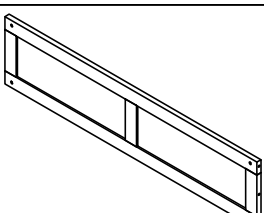
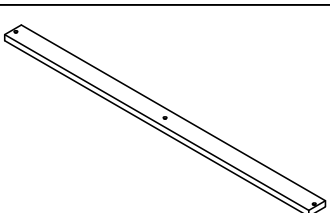
IMMEDIATELY - STOP USING YOUR MURPHY BED.

SEEK and CONSULT professional maintenance service to ascertain the problem and repair and or have the pistons changed.


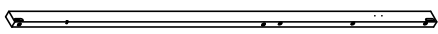


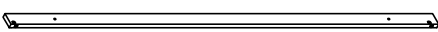
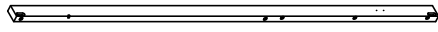

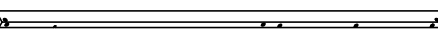


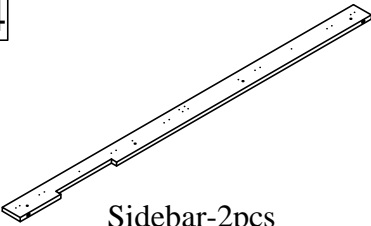

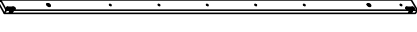
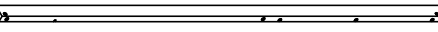
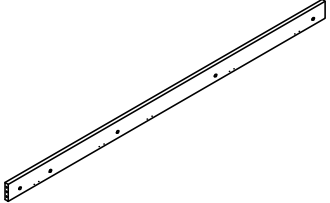
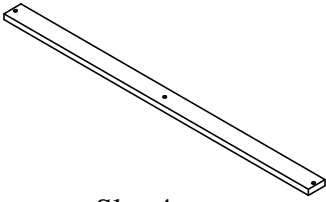
ASSEMBLY INSTRUCTION



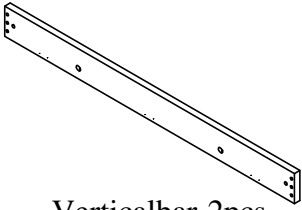
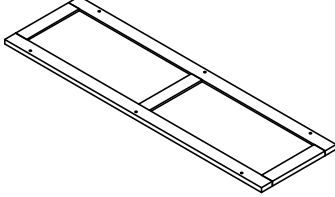

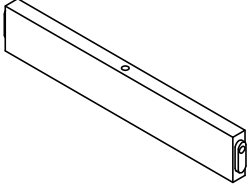
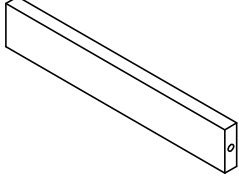
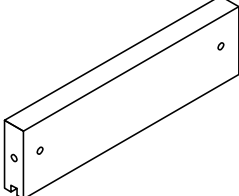
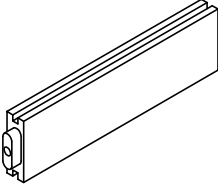
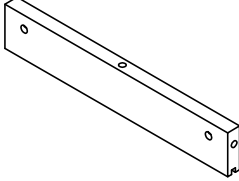
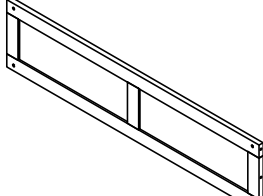
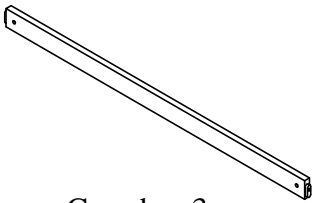
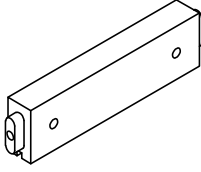
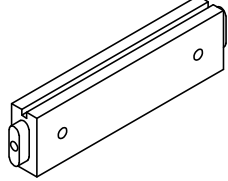
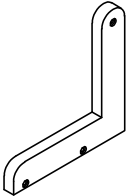
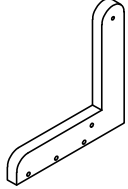
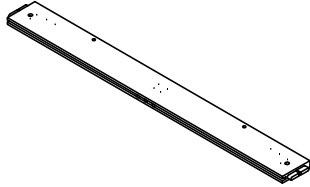
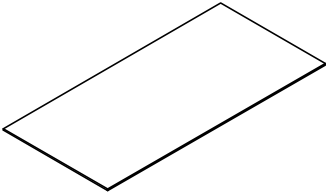
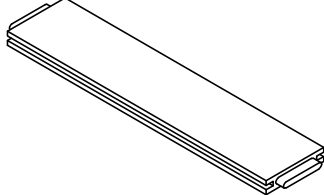
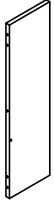
Part List (Box 1-N820P385026) & Hardware box

<p>A1</p>  <p>Sidebar-1pc</p>	<p>A6</p>  <p>Centerbar-2pcs</p>	<p>A2</p>  <p>Sidebar-2pcs</p>
<p>F4</p>  <p>Back Panel-1pc</p>	<p>A3</p>  <p>Sidebar-2pcs</p>	<p>C2</p>  <p>Rear Frame-2pcs</p>
<p>C3</p>  <p>Rear Frame-1pc</p>	<p>B7</p>  <p>Slat-6pcs</p>	

Part List (Box 2-N820P385027)

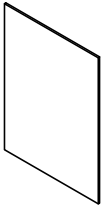
<p>G5</p>  <p>Woodleg-1pc</p>	<p>G2</p>  <p>Woodleg-1pc</p>	<p>D5</p>  <p>Woodleg-1pc</p>
<p>E7</p>  <p>Woodleg-1pc</p>	<p>E8</p>  <p>Woodleg-1pc</p>	<p>D3</p>  <p>Woodleg-1pc</p>
<p>D2</p>  <p>Woodleg-1pc</p>	<p>G4</p>  <p>Woodleg-1pc</p>	<p>A7</p>  <p>Side Panel-2pcs</p>
<p>G3</p>  <p>Woodleg-1pc</p>	<p>A4</p>  <p>Sidebar-2pcs</p>	<p>E9</p>  <p>Woodleg-1pc</p>
<p>E5</p>  <p>Woodleg-1pc</p>	<p>D4</p>  <p>Woodleg-1pc</p>	<p>A1</p>  <p>Sidebar-1pc</p>
<p>B7</p>  <p>Slat-4pcs</p>		

Part List (Box 3-N820P385028)

<p>A8</p>  <p>Verticalbar-2pcs</p>	<p>C1</p>  <p>Top Frame-2pcs</p>	<p>C8</p>  <p>Left Panel-2pcs</p>
<p>E1</p>  <p>Crossbar-1pc</p>	<p>E2</p>  <p>Crossbar-2pcs</p>	<p>E4</p>  <p>Short bar-4pcs</p>
<p>E3</p>  <p>Short bar-2pcs</p>	<p>G1</p>  <p>Crossbar-1pc</p>	<p>C3</p>  <p>Rear Frame-1pc</p>
<p>C5</p>  <p>Crossbar-3pcs</p>	<p>C6</p>  <p>Short bar-4pcs</p>	<p>D1</p>  <p>Shortbar-3pcs</p>
<p>B2</p>  <p>Woodleg-2pcs</p>	<p>B3</p>  <p>Woodleg-2pcs</p>	<p>A9</p>  <p>Verticalbar-3pcs</p>
<p>A5</p>  <p>Front Panel-1pc</p>	<p>B9</p>  <p>Centerbar-3pcs</p>	<p>C9</p>  <p>Right Panel-2pcs</p>

Part List (Box 3-N820P385028)

F5



Back Panel-1pc

B5



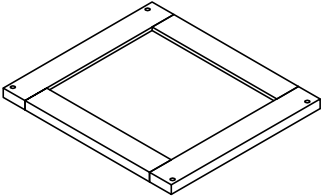
Shelf crossbar-2pcs

A7



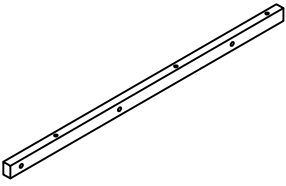
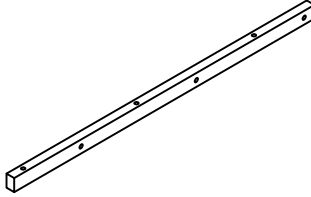
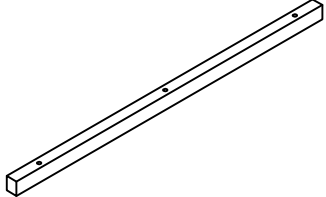
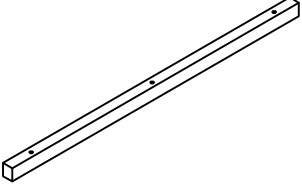
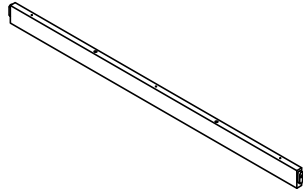
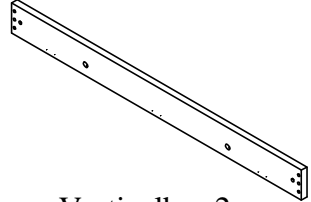
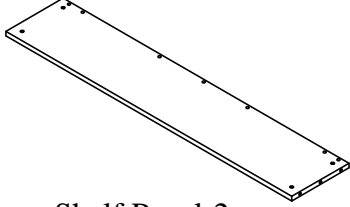

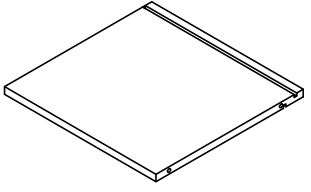
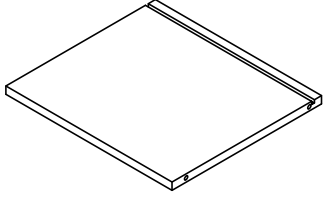
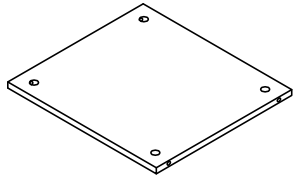
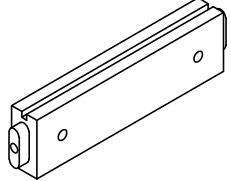
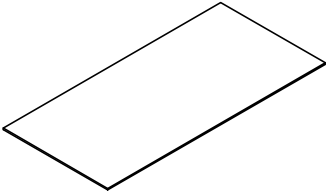
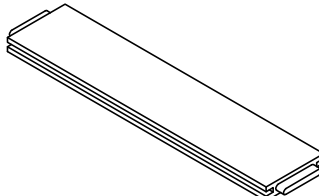

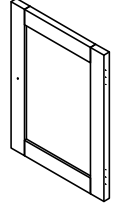
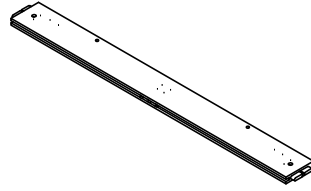
Side Panel-2pcs

F1

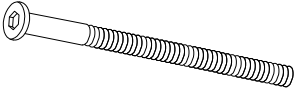

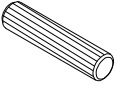
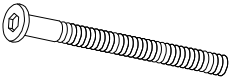

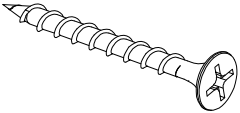
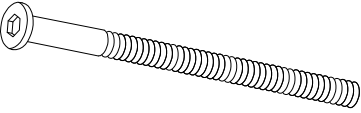

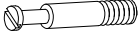

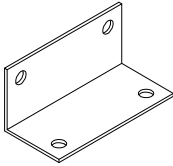
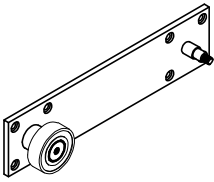
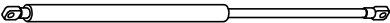
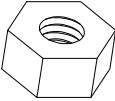
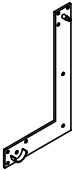
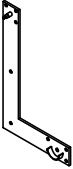
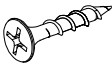
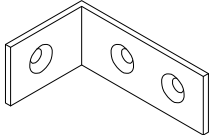
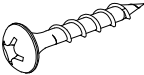
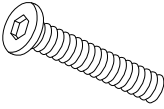



Door Frame-1pc

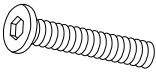

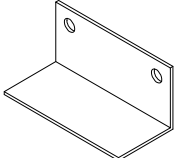
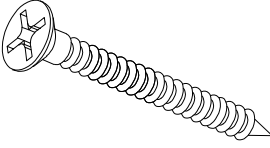
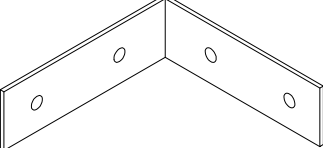
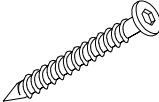
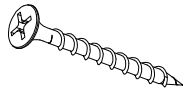
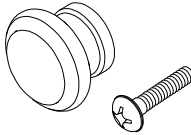
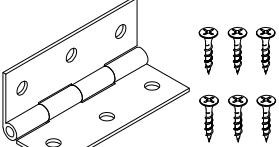
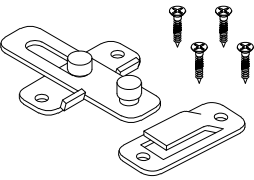
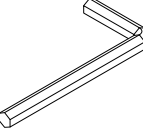
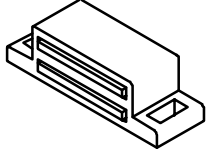
Part List (Box 4-N820P385029)

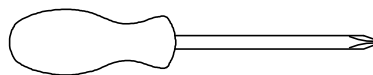
<p>G6</p>  <p>Slat support-4pcs</p>	<p>G7</p>  <p>Slat support-4pcs</p>	<p>G8</p>  <p>Slat support-2pcs</p>
<p>G9</p>  <p>Slat support-2pcs</p>	<p>C4</p>  <p>Crossbar-2pcs</p>	<p>A8</p>  <p>Verticalbar-2pcs</p>
<p>B6</p>  <p>Shelf Panel-2pcs</p>	<p>C5</p>  <p>Crossbar-1pc</p>	<p>F8</p>  <p>Shelf Panel-1pc</p>
<p>F9</p>  <p>Bottom Panel-1pc</p>	<p>F7</p>  <p>Shelf Panel-4pcs</p>	<p>D1</p>  <p>Shortbar-1pc</p>
<p>A5</p>  <p>Front Panel-7pcs</p>	<p>B9</p>  <p>Centerbar-1pc</p>	<p>F3</p>  <p>Side Panel-4pcs</p>
<p>F2</p>  <p>Door Frame-2pcs</p>	<p>A9</p>  <p>Verticalbar-1pc</p>	

Hardware List (Box 1 N820P385026)

<p>A</p>  <p>Ø1/4" x 100 mm Hex-Head bolts 42pcs</p>	<p>B</p>  <p>Ø1/4" x 12 mm Horizontal-Hole bolts 128pcs</p>	<p>C</p>  <p>Ø8 x 30 mm Wood dowel 92pcs</p>
<p>D</p>  <p>Ø1/4" x 70 mm Hex-Head bolts 34pcs</p>	<p>E</p>  <p>M4 x 30 mm Wood Screws 30pcs</p>	<p>F</p>  <p>M4 x 40 mm Wood Screws 60pcs</p>
<p>G</p>  <p>Ø1/4" x 125 mm Hex-Head bolts 8pcs</p>	<p>H</p>  <p>Ø1/4" x 60 mm Hex-Head bolts 44pcs</p>	<p>I</p>  <p>Cam Bolt-28pcs</p>
<p>J</p>  <p>Cam Lock-28pcs</p>	<p>K</p>  <p>Angle Metal - 8pcs</p>	<p>M</p>  <p>Metal straight link-4pcs</p>
<p>N</p>  <p>Piston -4pcs</p>	<p>O</p>  <p>Nut-8pcs</p>	<p>P</p>  <p>Metal corner link-2pcs</p>
<p>Q</p>  <p>Metal corner link-2pcs</p>	<p>R</p>  <p>M4 x 15 mm Wood Screws 96pcs</p>	<p>S</p>  <p>Angle Metal - 4pcs</p>
<p>T</p>  <p>M4 x 15 mm Wood Screws 40pcs</p>	<p>U</p>  <p>Ø1/3" x 40 mm Hex-Head bolts 4pcs</p>	<p>V</p>  <p>Ø1/4" x 15 mm T-nut 4pcs</p>

Hardware List (Box 1 N820P385026)

<p>W</p>  <p>Ø1/4" x 40 mm Hex-Head bolts 4pcs</p>	<p>X</p>  <p>Ø20 / Ø6 x 2 mm Washer 4pcs</p>	<p>Y</p>  <p>Angle Metal - 4pcs</p>
<p>CA</p>  <p>M5 x 50 mm Wood Screws 16pcs</p>	<p>DA</p>  <p>Angle Metal - 6pcs</p>	<p>EA</p>  <p>Screws 1/4" x35 34pcs</p>
<p>NA</p>  <p>M4 x 25 mm Wood Screws 4pcs</p>	<p>HA</p>  <p>Wood Handle - 2pcs</p>	<p>IA</p>  <p>Hinge 4pcs (1 hinge included 6 screws)</p>
<p>JA</p>  <p>Metal link-4pcs</p>	<p>KA</p>  <p>Allen Key 4pcs</p>	<p>MA</p>  <p>Magnet Door Catcher 2pcs</p>



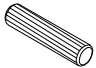



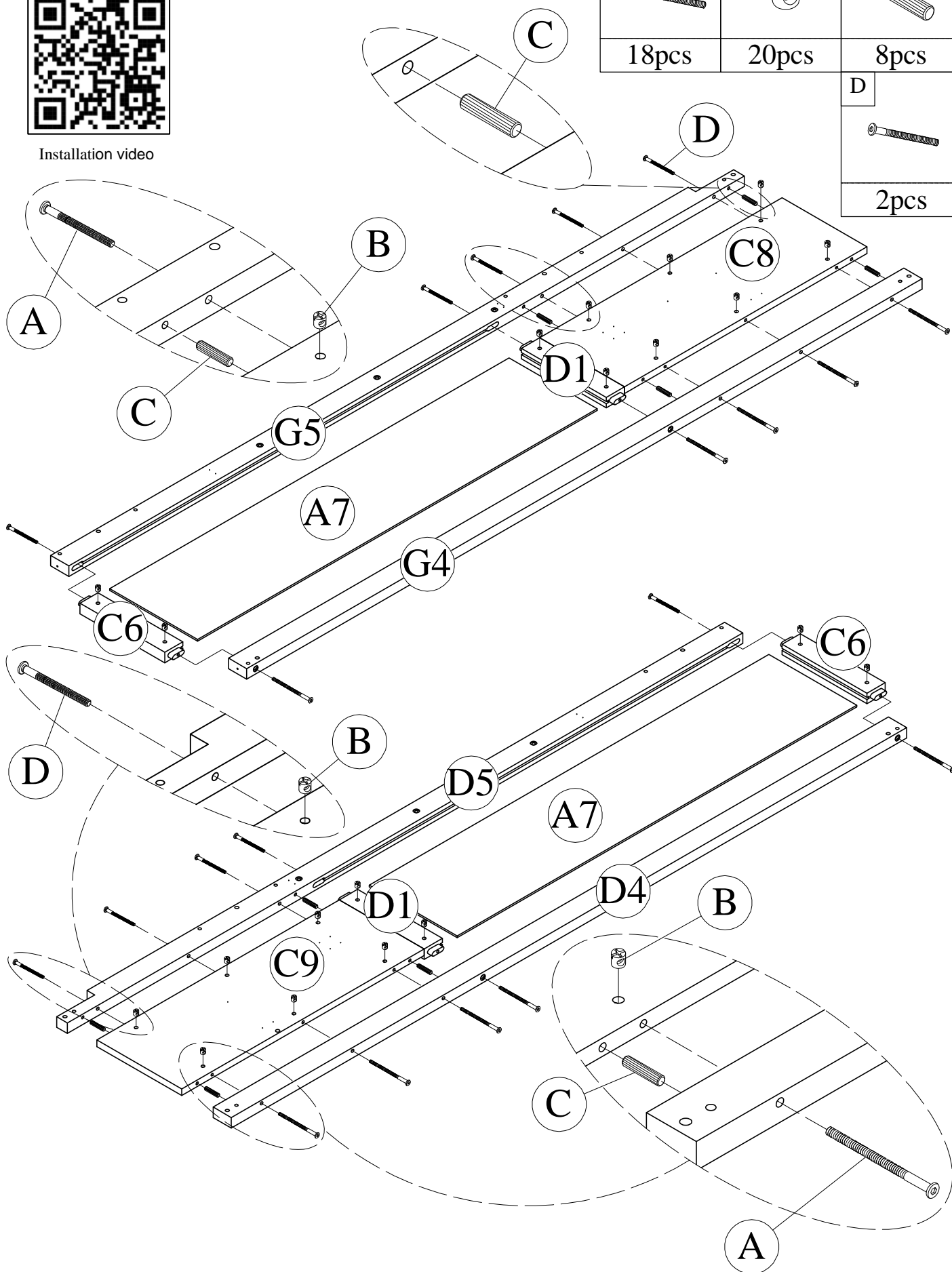
Assembly Tools Required (Not Included)

STEP 1: Following below illustration.



Installation video



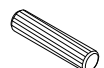

A	B	C
		
18pcs	20pcs	8pcs
		D
		
		2pcs

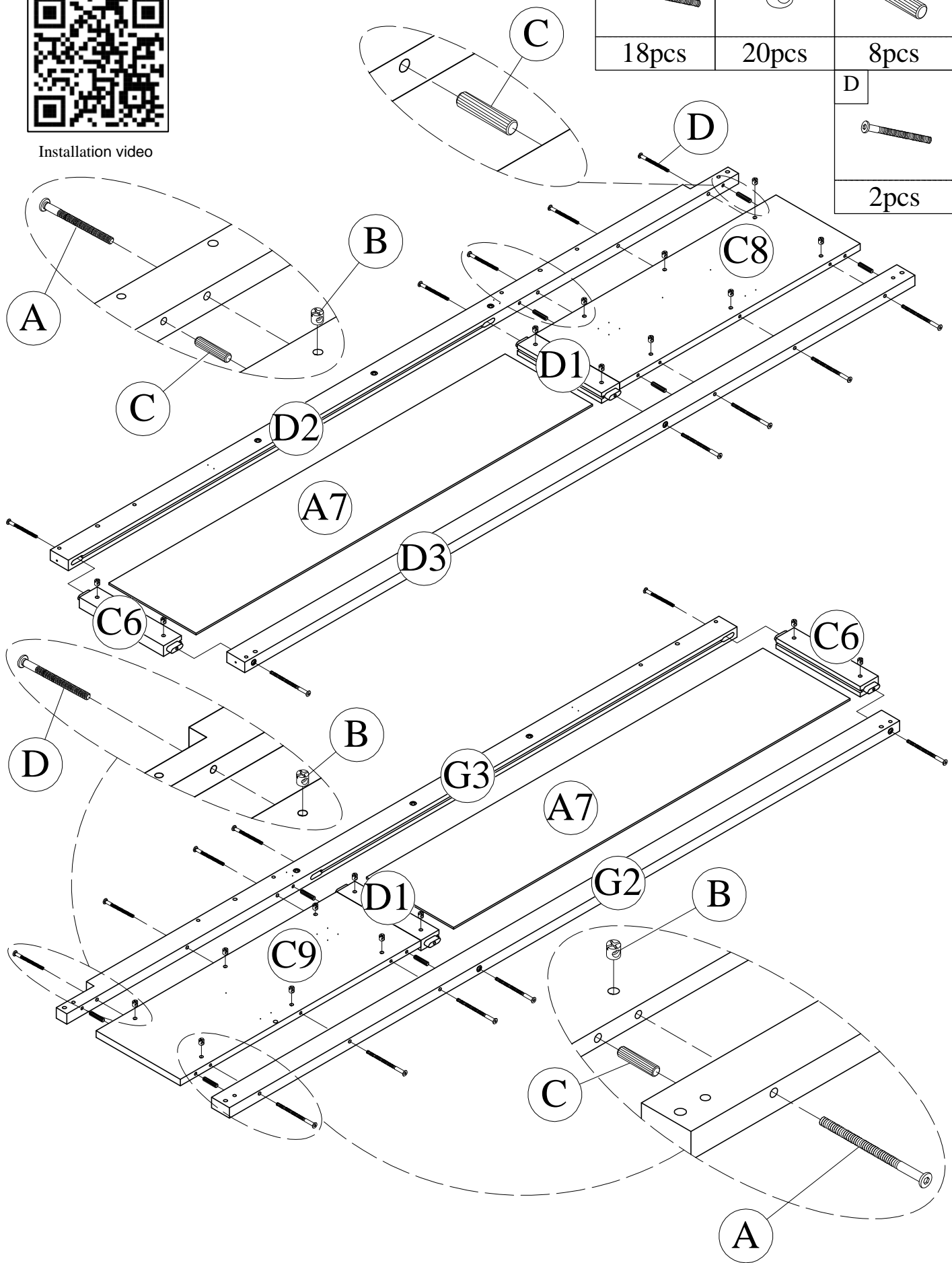


STEP2: Following below illustration.



Installation video

<p>A</p> 	<p>B</p> 	<p>C</p> 
<p>18pcs</p>	<p>20pcs</p>	<p>8pcs</p>
<p>D</p> 		
<p>2pcs</p>		



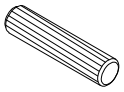


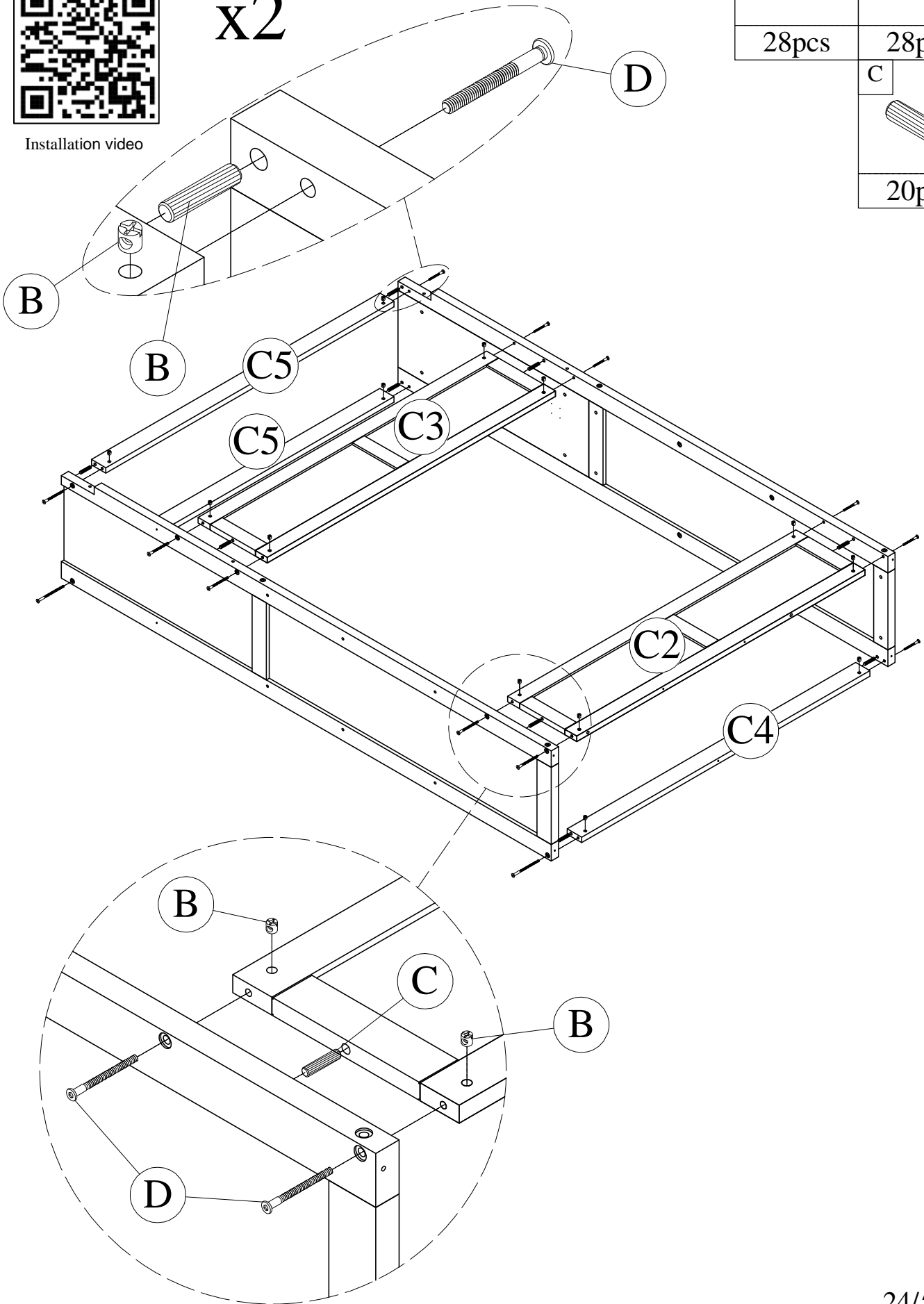
STEP3: Following below illustration.



Installation video

x2

B		D	
28pcs		28pcs	
		C	
		20pcs	

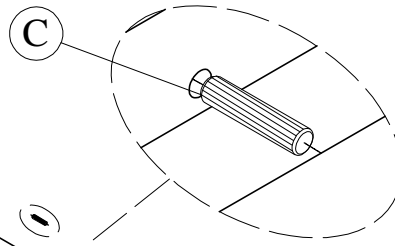


STEP4: Following below illustration.

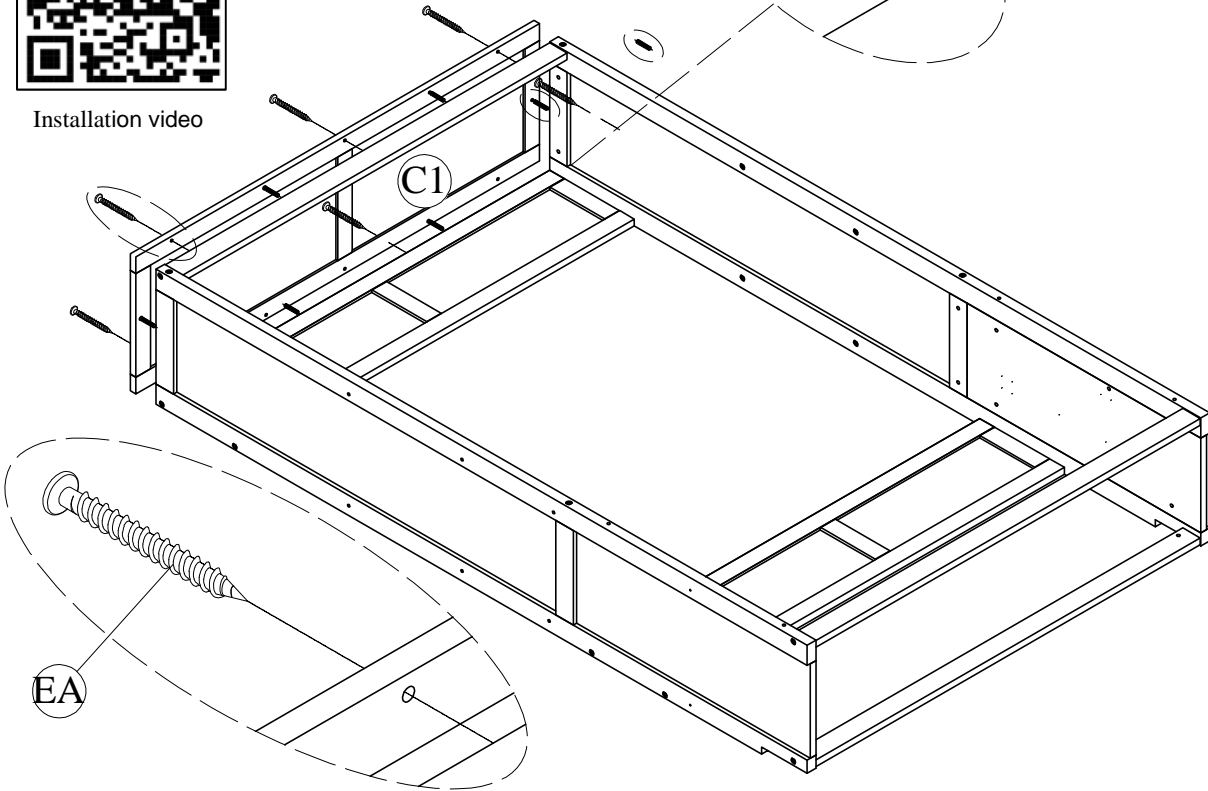


x2

Installation video



C	EA
12pcs	12pcs



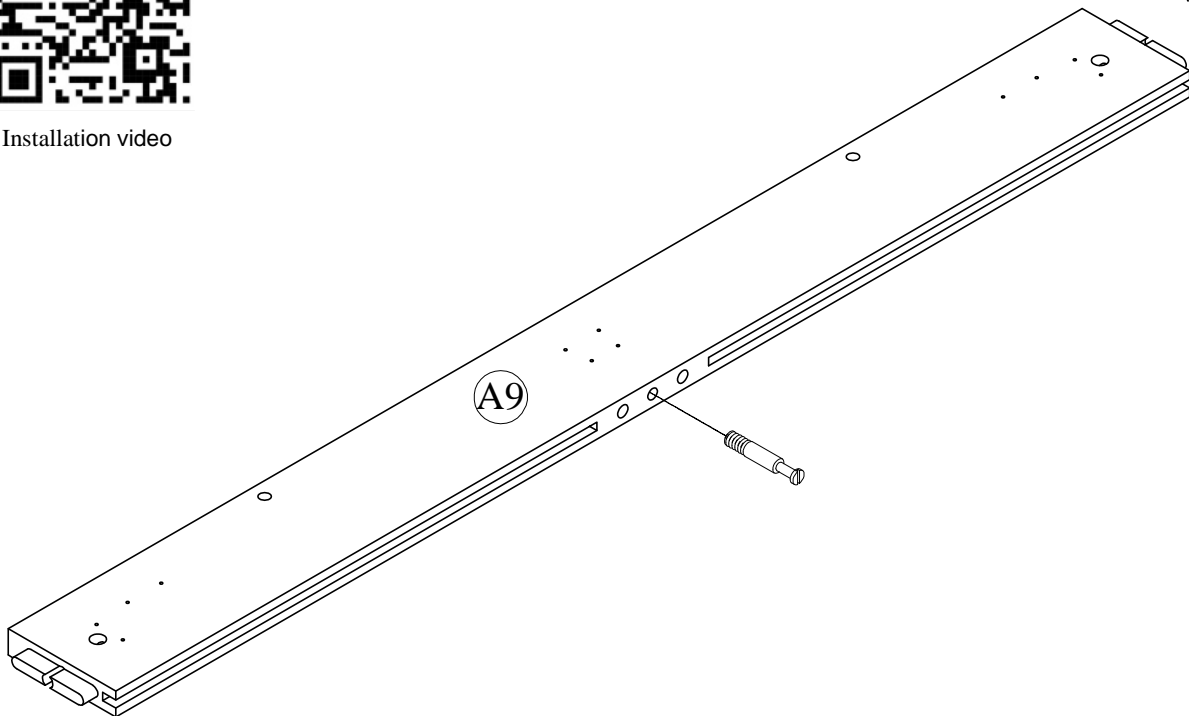
STEP5: Following below illustration.



x4

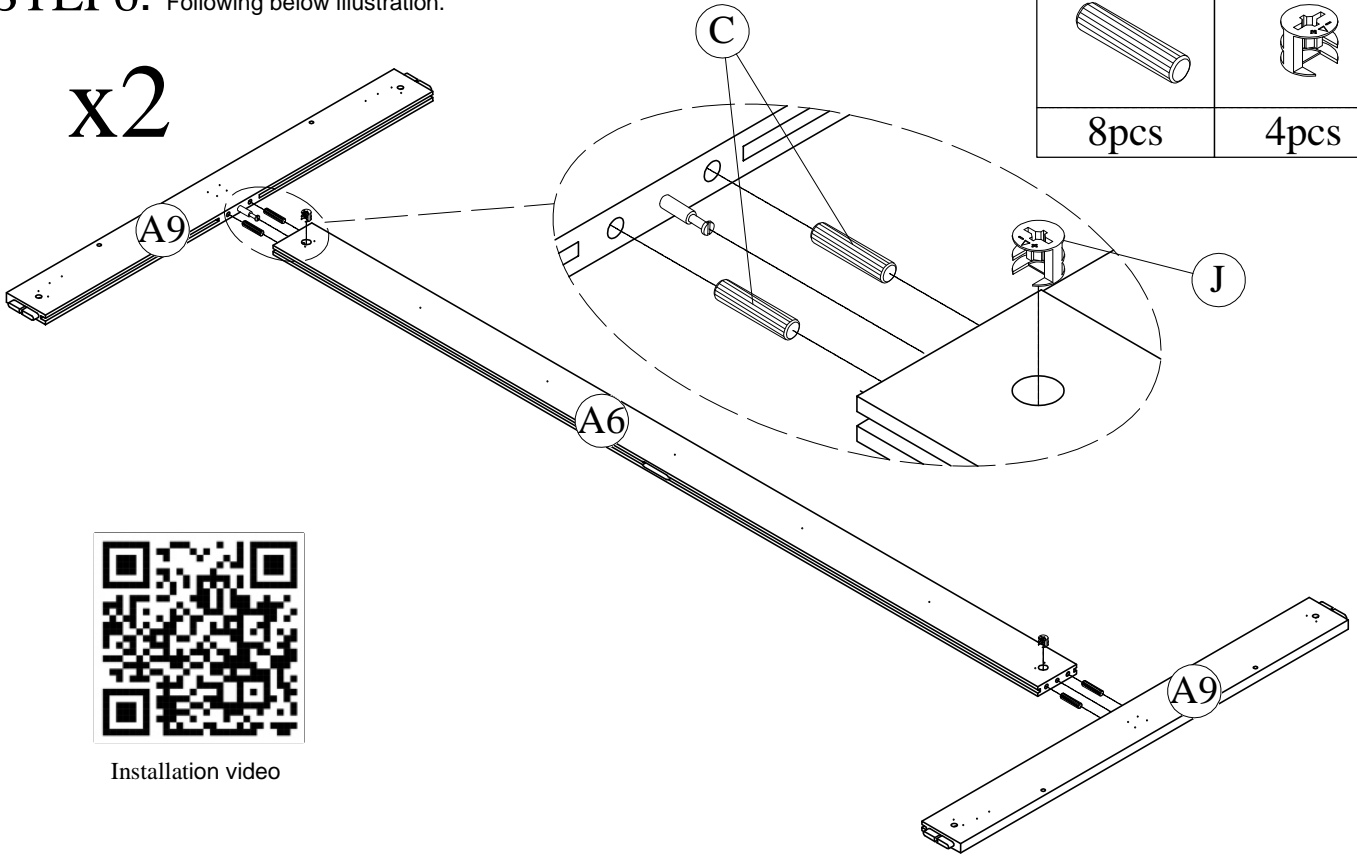
Installation video

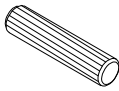

I
4pcs



STEP6: Following below illustration.

x2



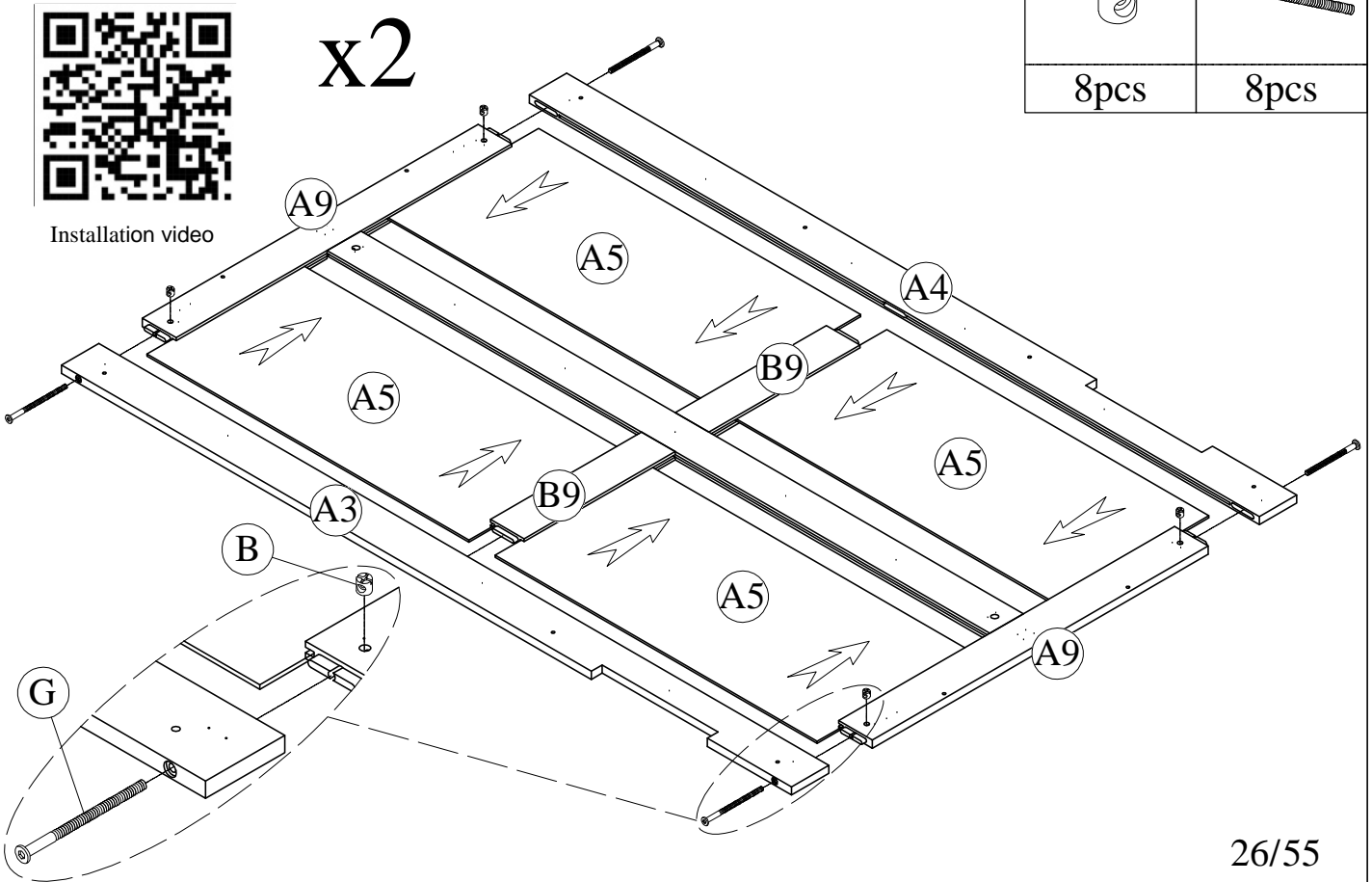
C	J
	
8pcs	4pcs





Installation video

STEP7: Following below illustration.

x2



B	G
	
8pcs	8pcs



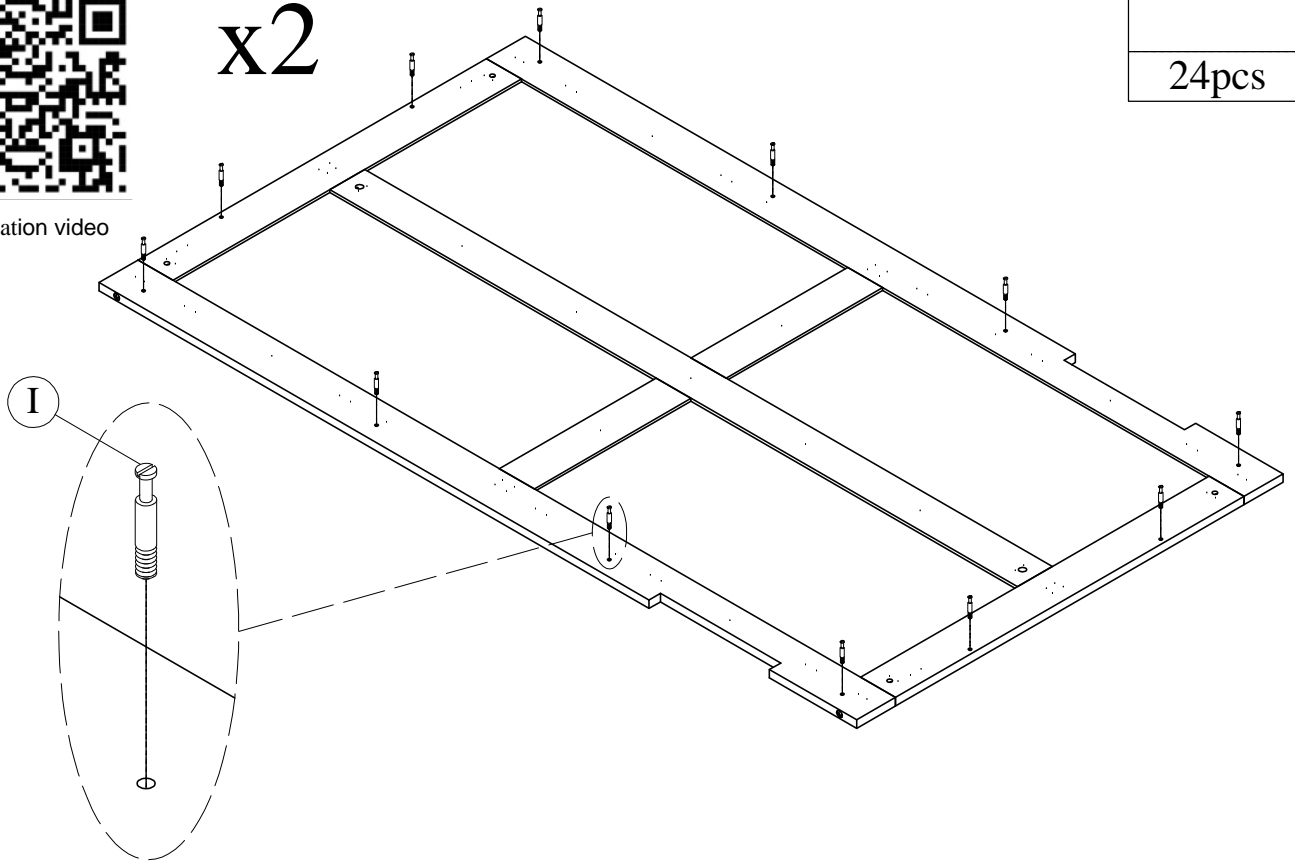
Installation video

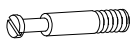
STEP8: Following below illustration.

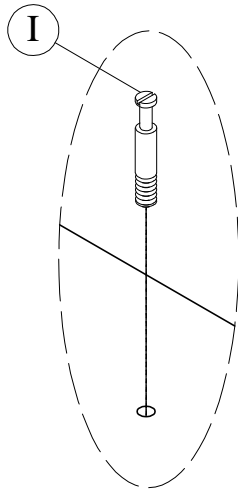


Installation video

x2



I

24pcs

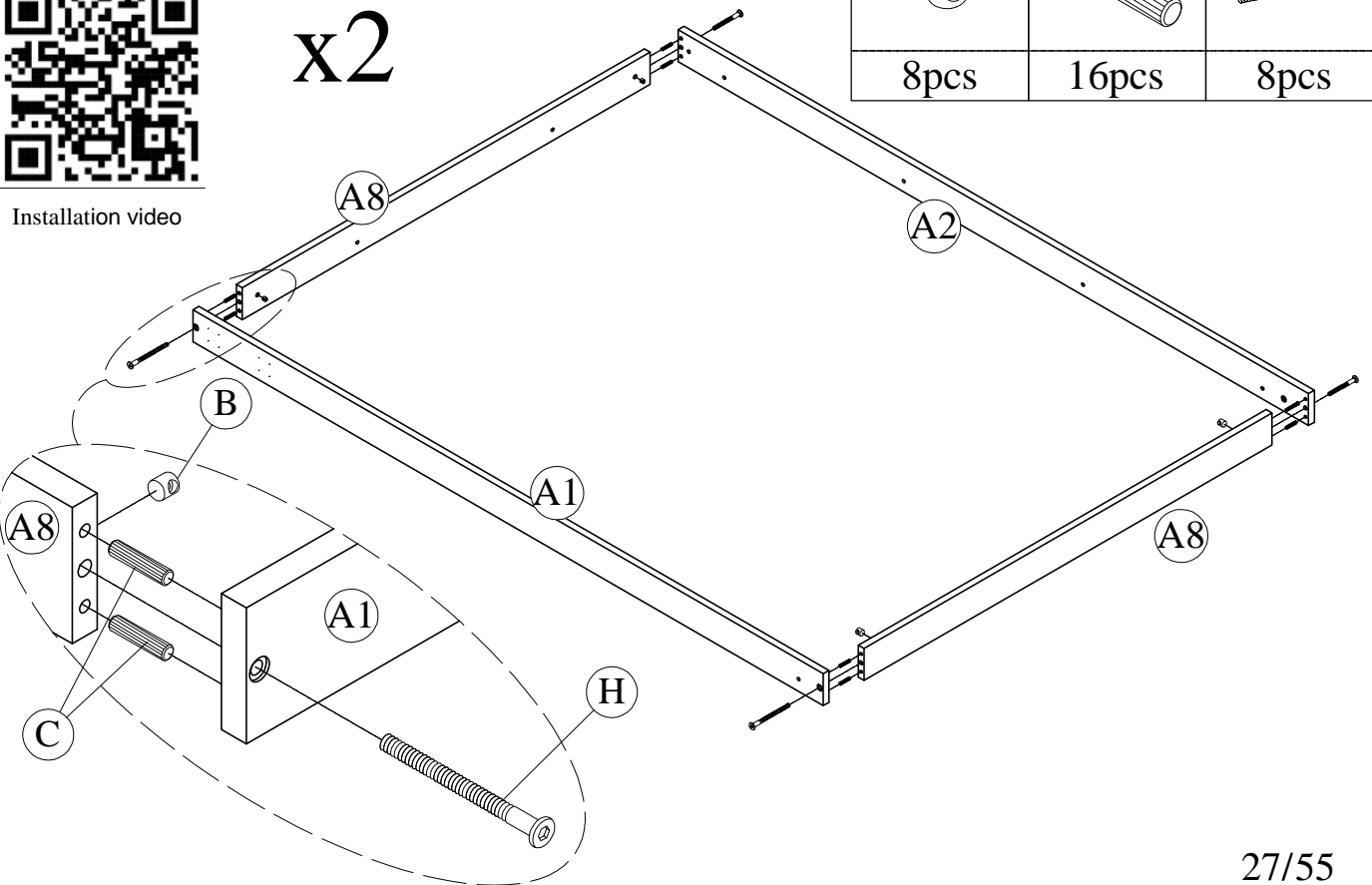



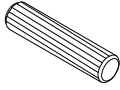

STEP9: Following below illustration.



Installation video

x2



B	C	H
		
8pcs	16pcs	8pcs

STEP10: Following below illustration.

J

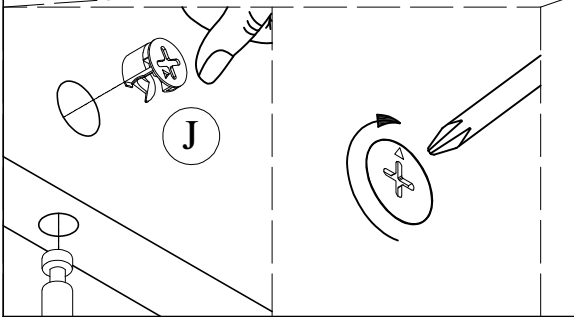
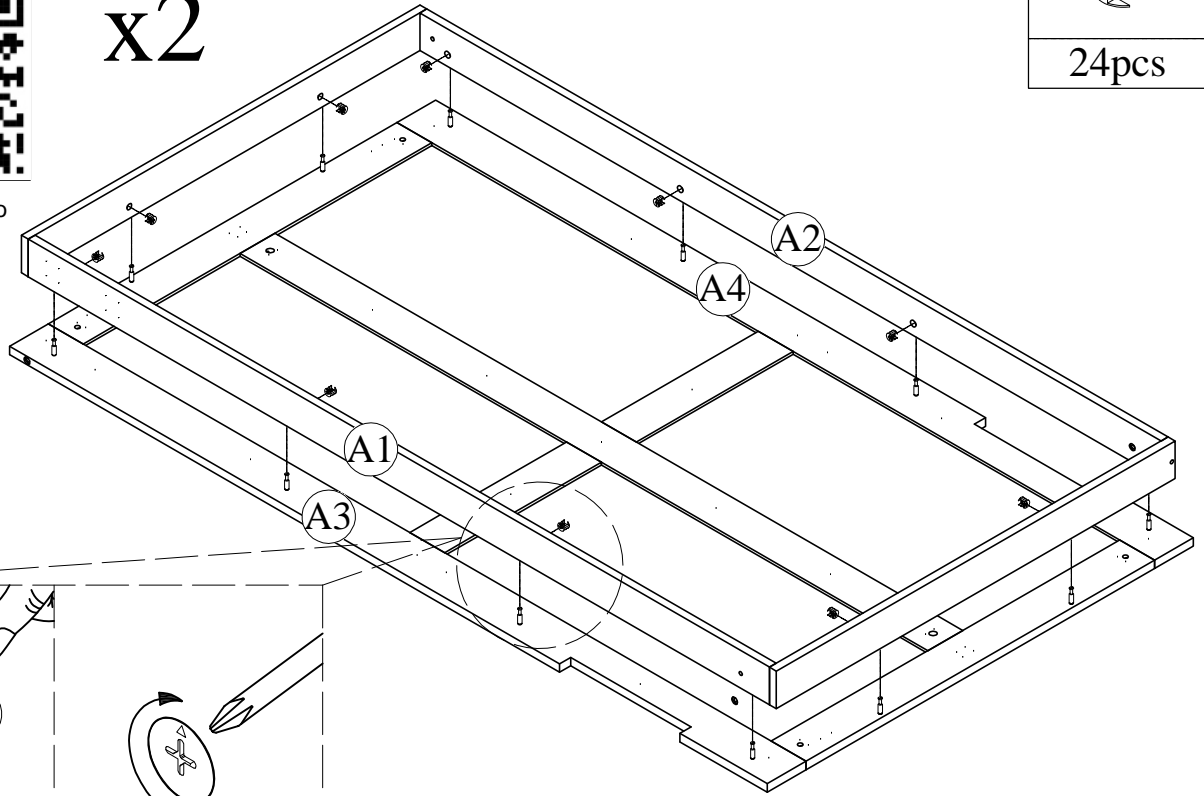


24pcs



x2

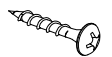
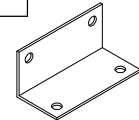
Installation video



STEP11: Following below illustration.

K

T



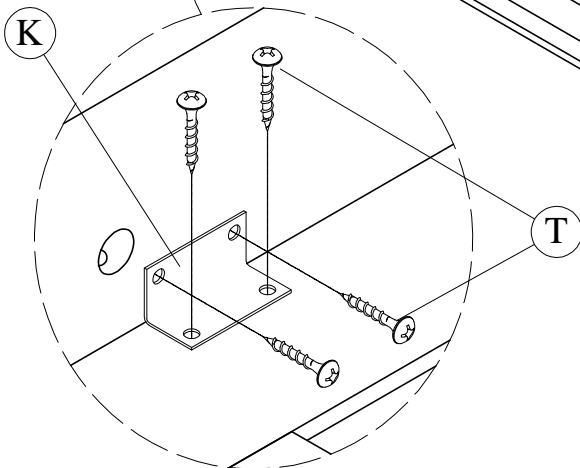
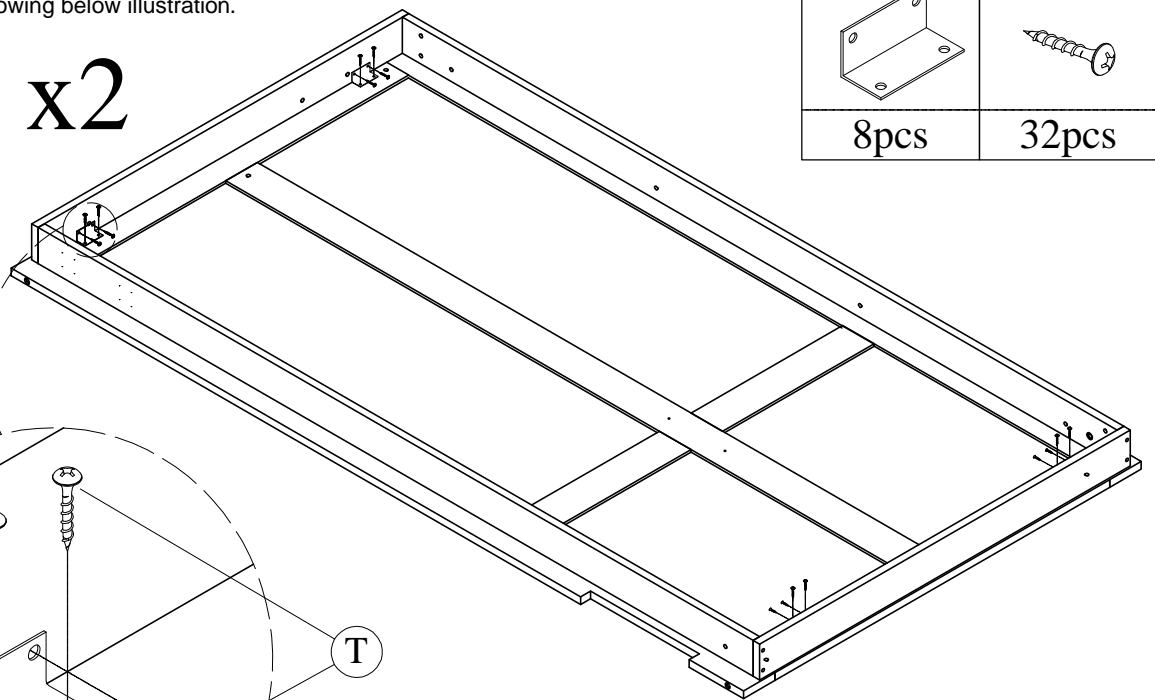
8pcs

32pcs



x2

Installation video

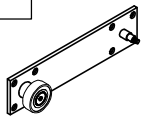
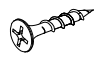


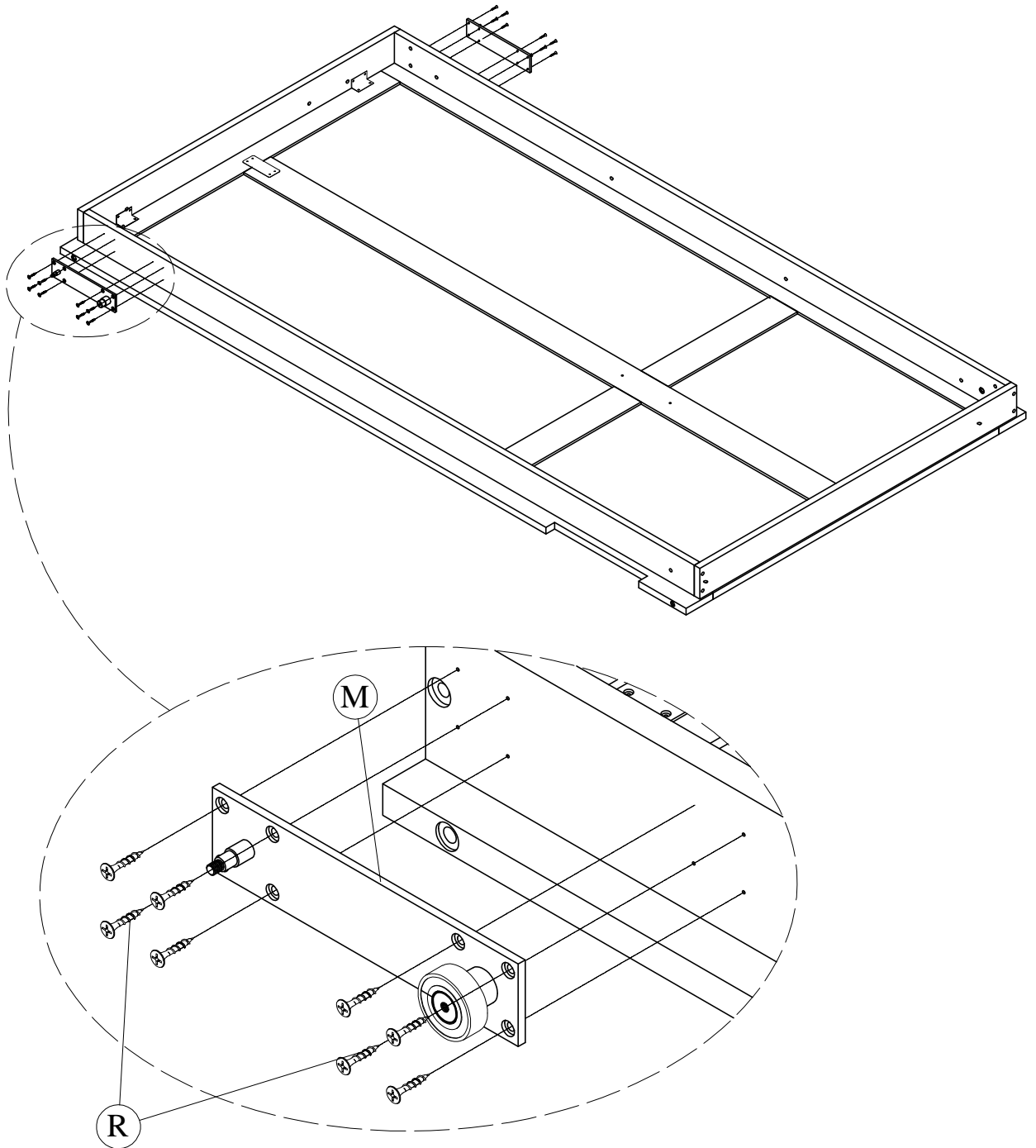
STEP12: Following below illustration.



x2

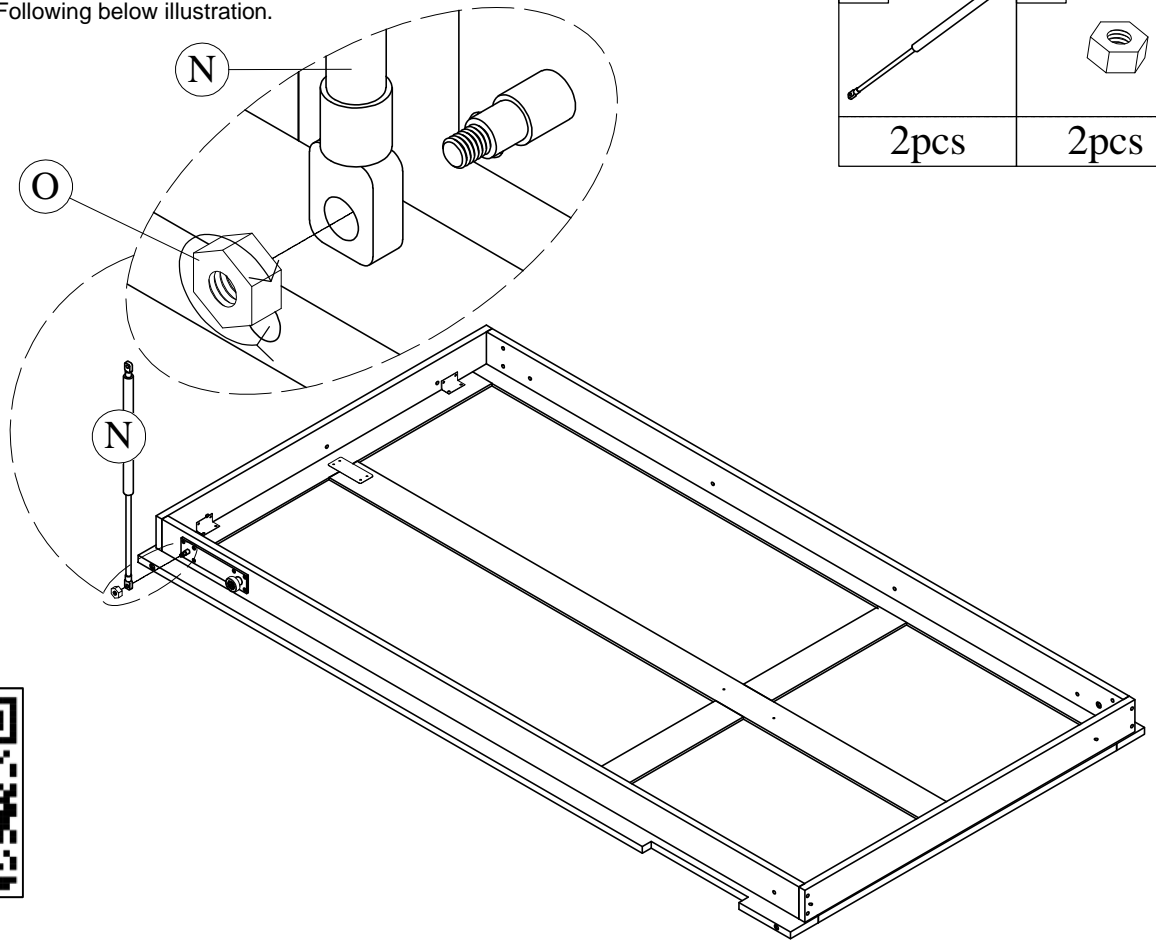
Installation video

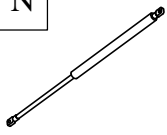

M		R	
	4pcs		32pcs



STEP13: Following below illustration.

x2



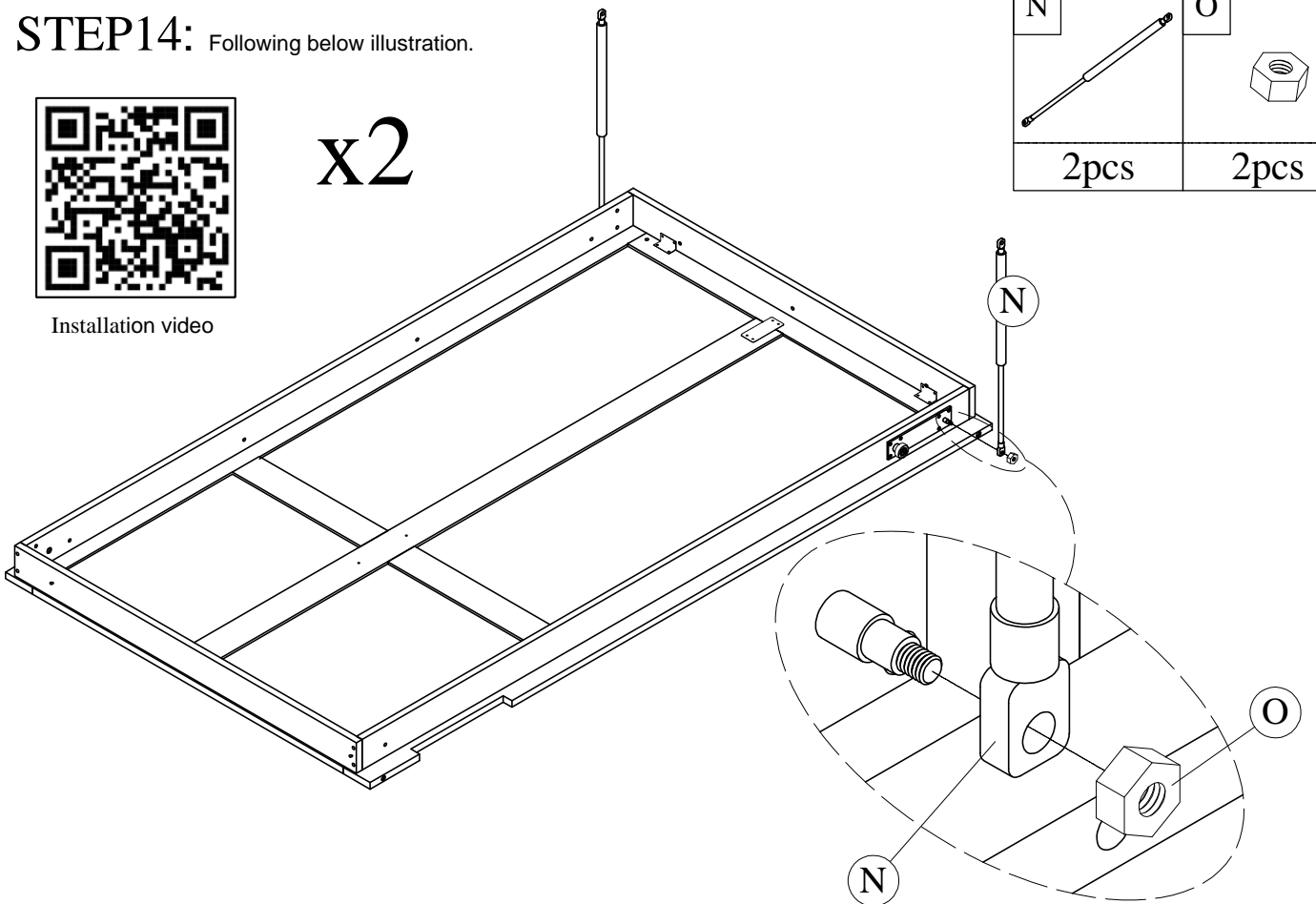
N	O
	
2pcs	2pcs

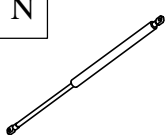



Installation video

STEP14: Following below illustration.

x2



N	O
	
2pcs	2pcs



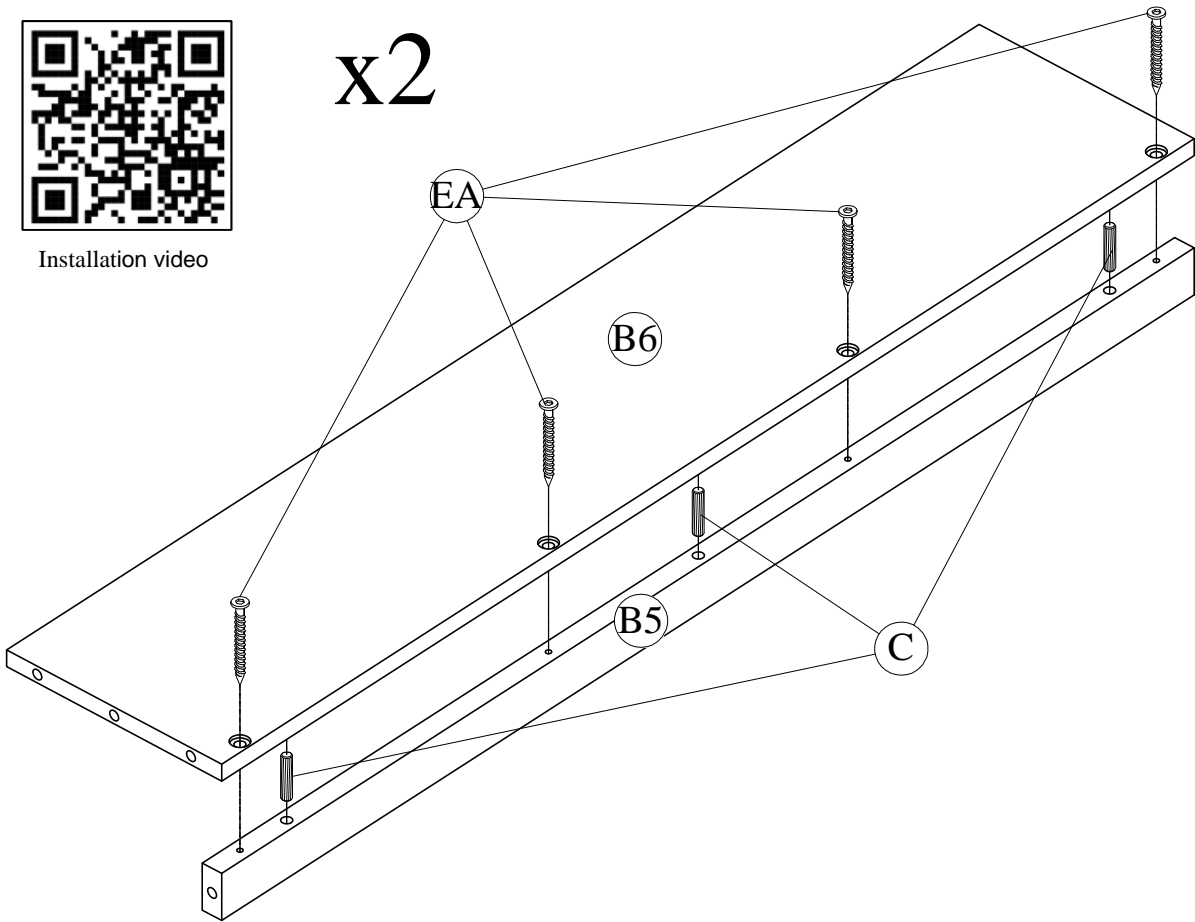
Installation video

STEP15: Following below illustration.

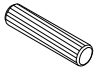


Installation video

x2

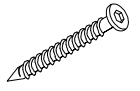


C



6pcs

EA



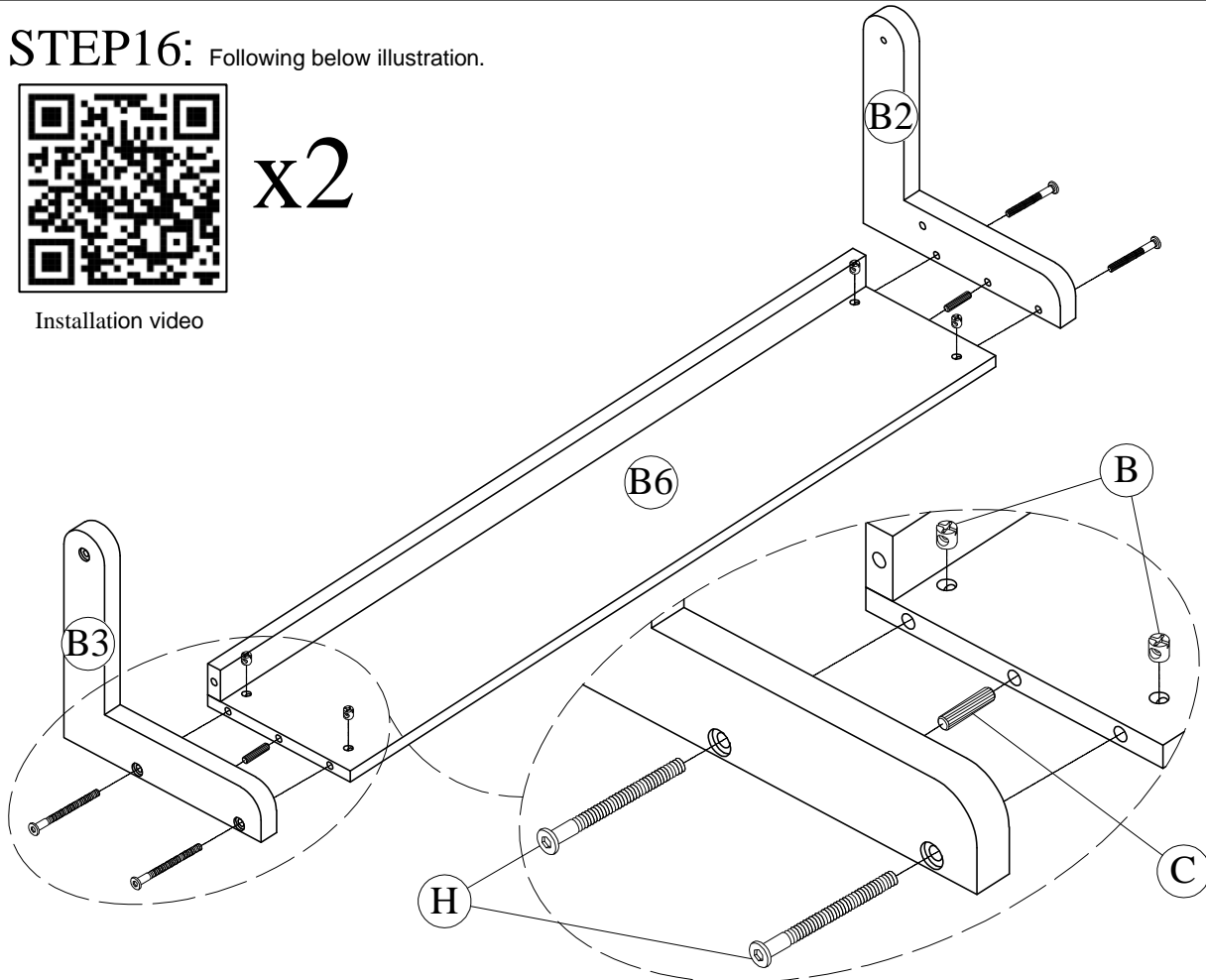
8pcs

STEP16: Following below illustration.



Installation video

x2

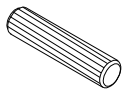


B



8pcs

C



4pcs




H

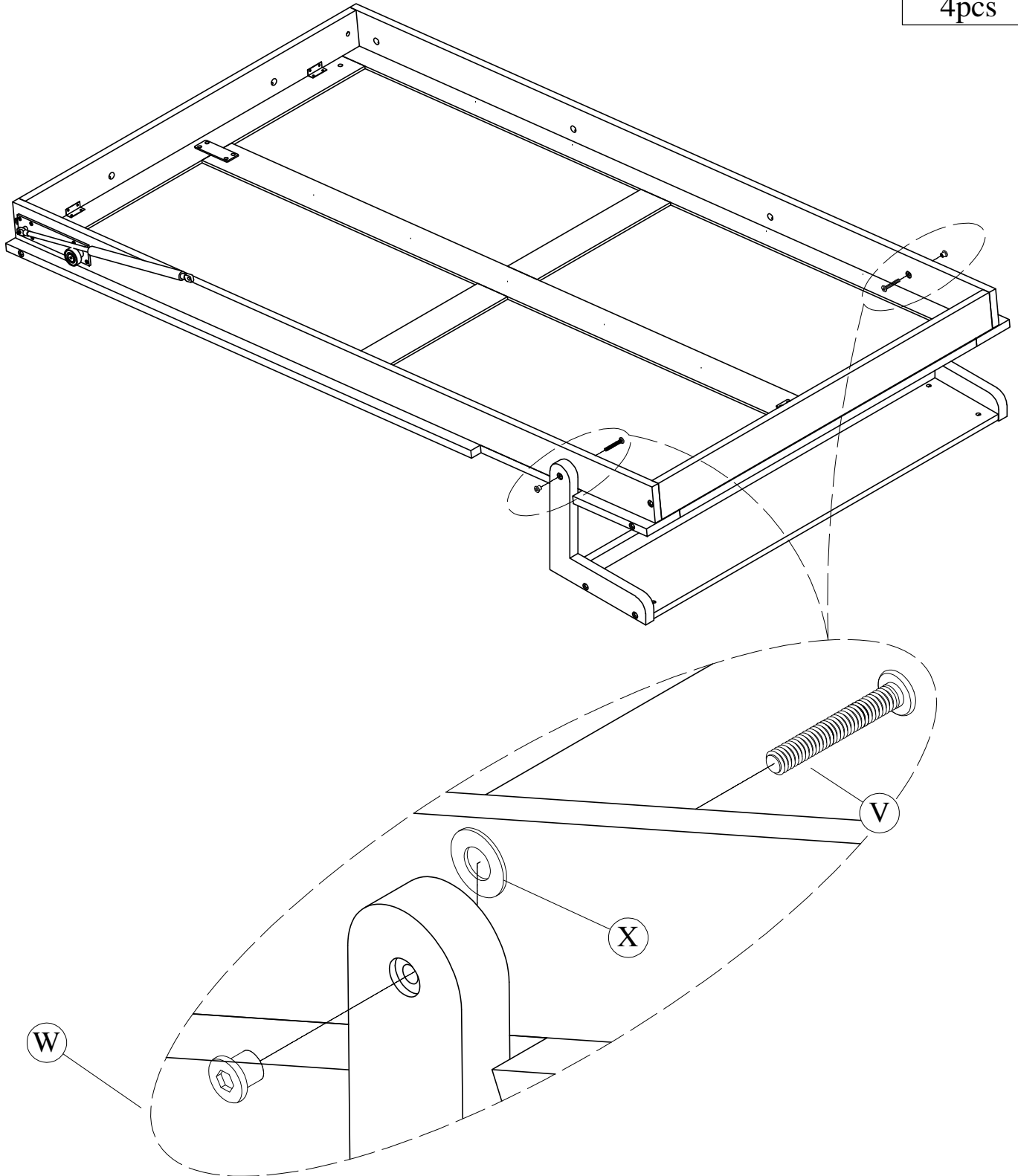


8pcs

STEP17: Following below illustration.

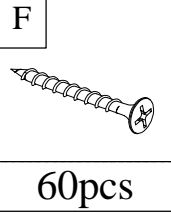
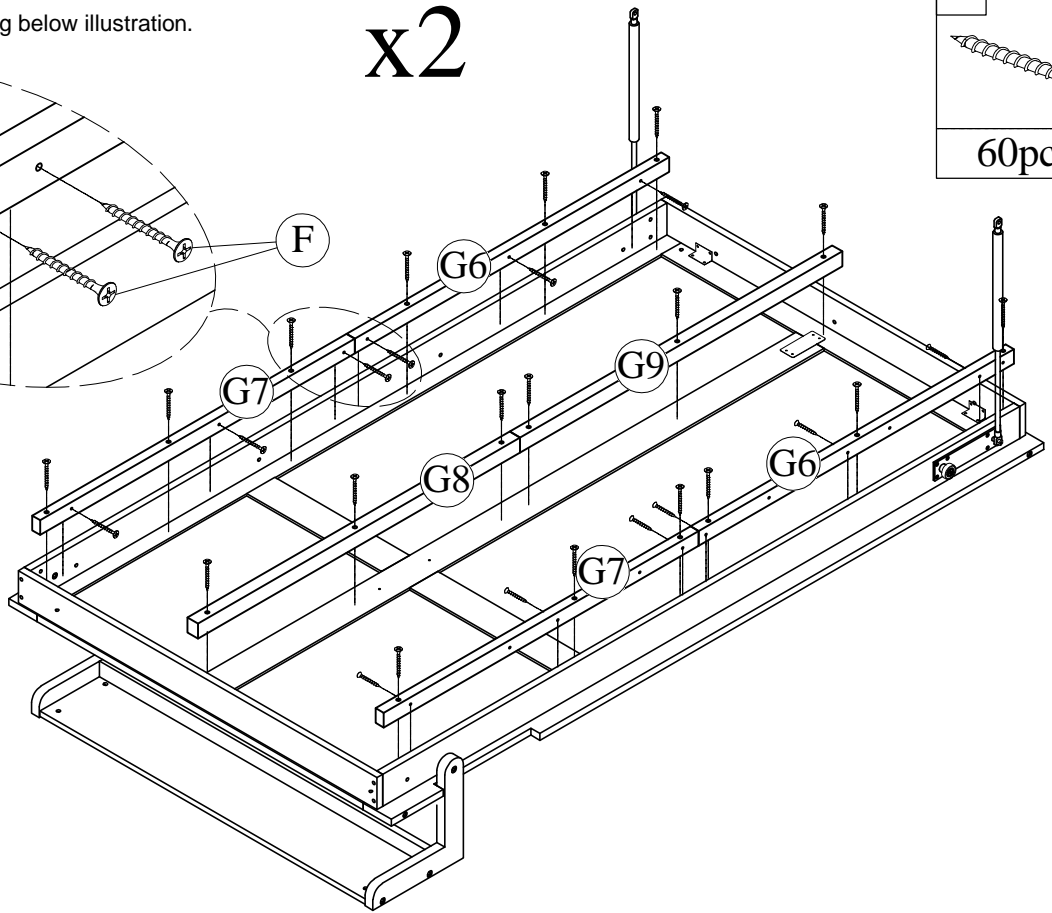
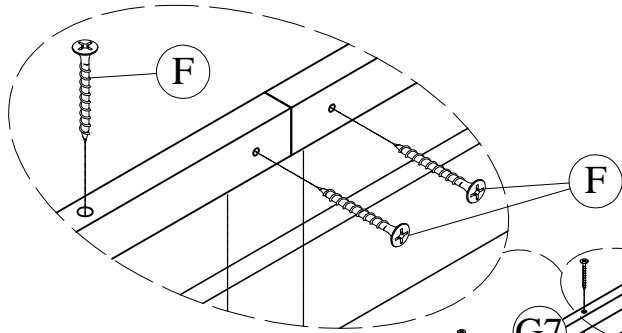
x2

V	W
	
4pcs	4pcs
	X
	
	4pcs



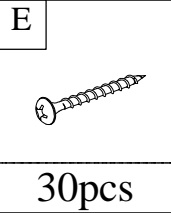
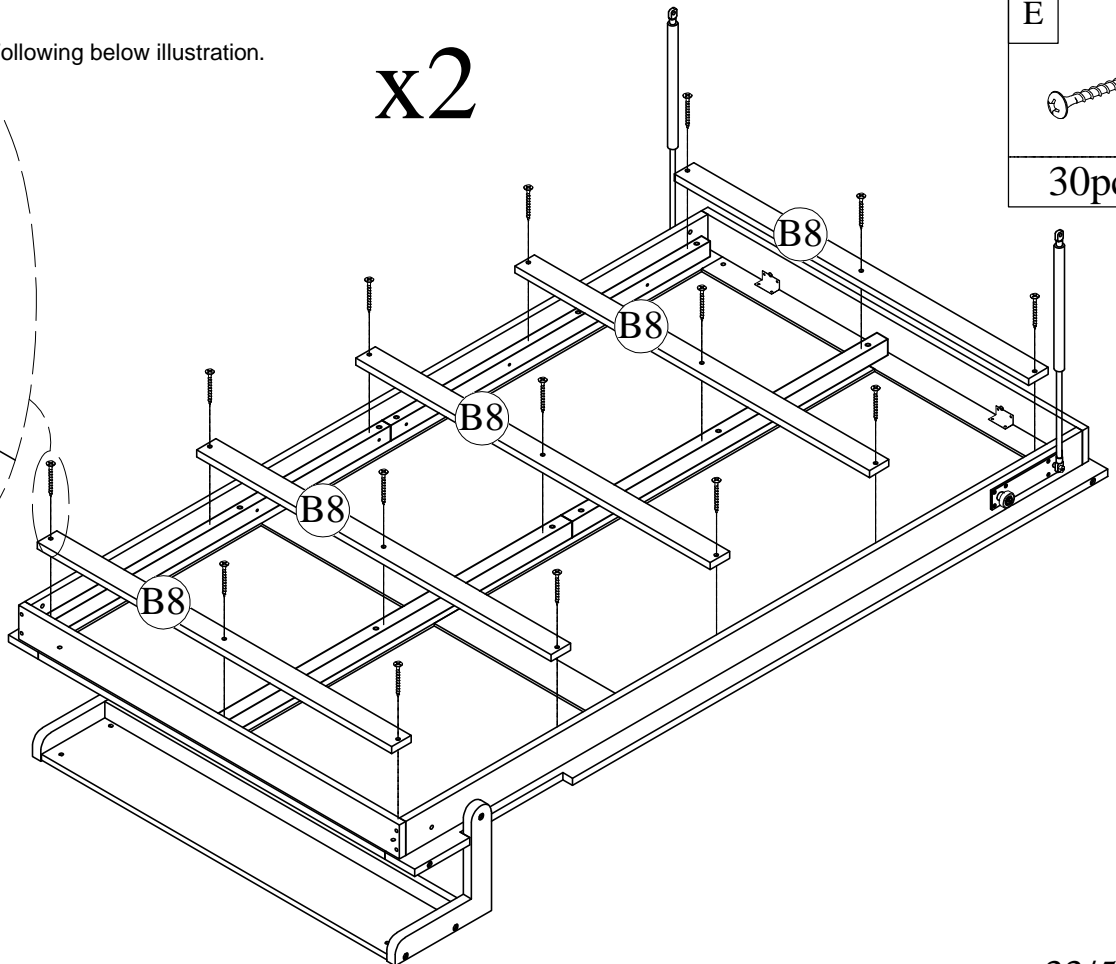
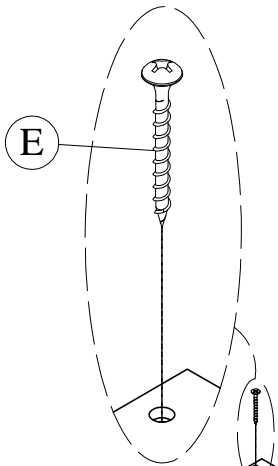
STEP18: Following below illustration.

x2



STEP19: Following below illustration.

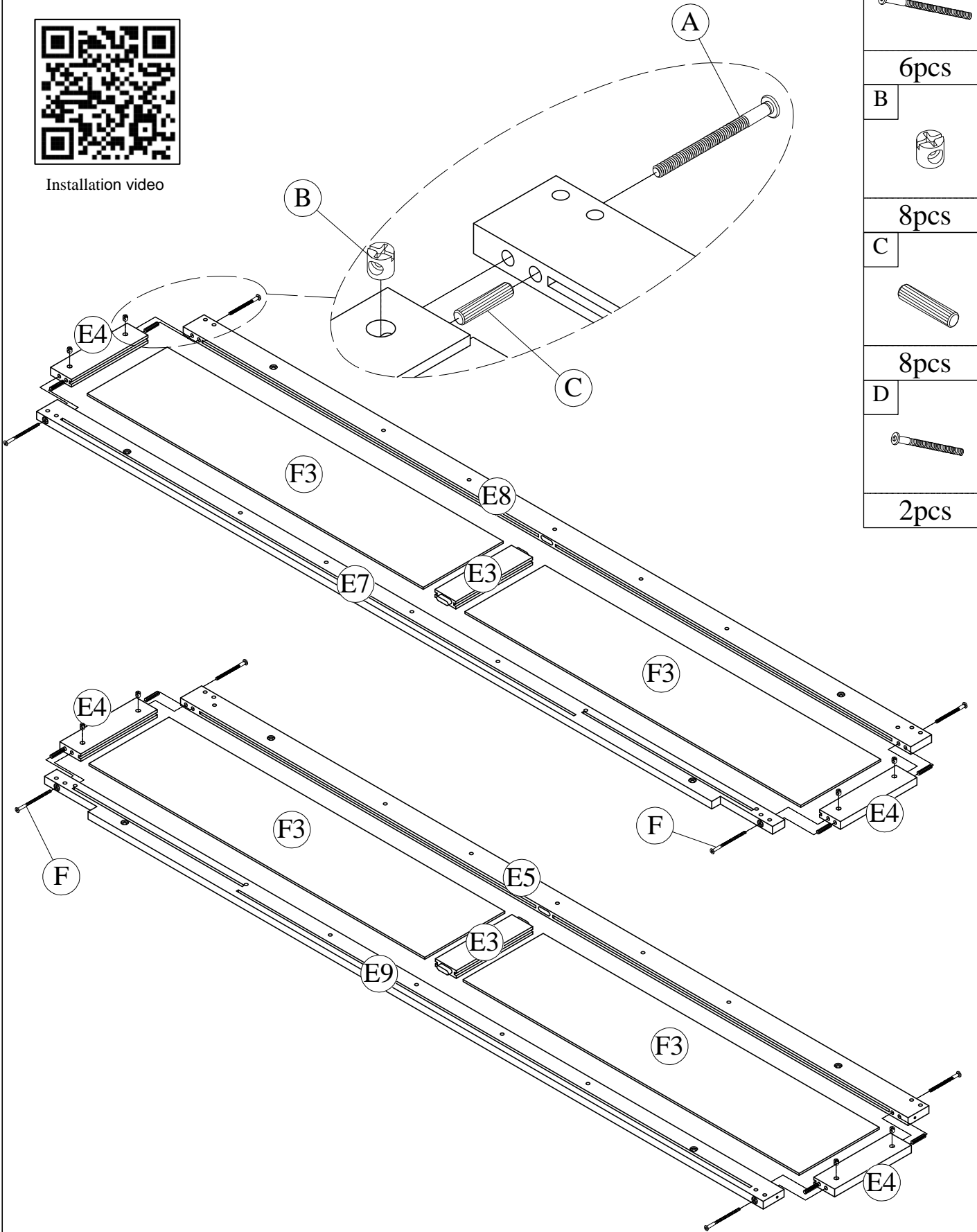
x2



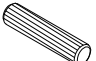



STEP20: Following below illustration.



Installation video

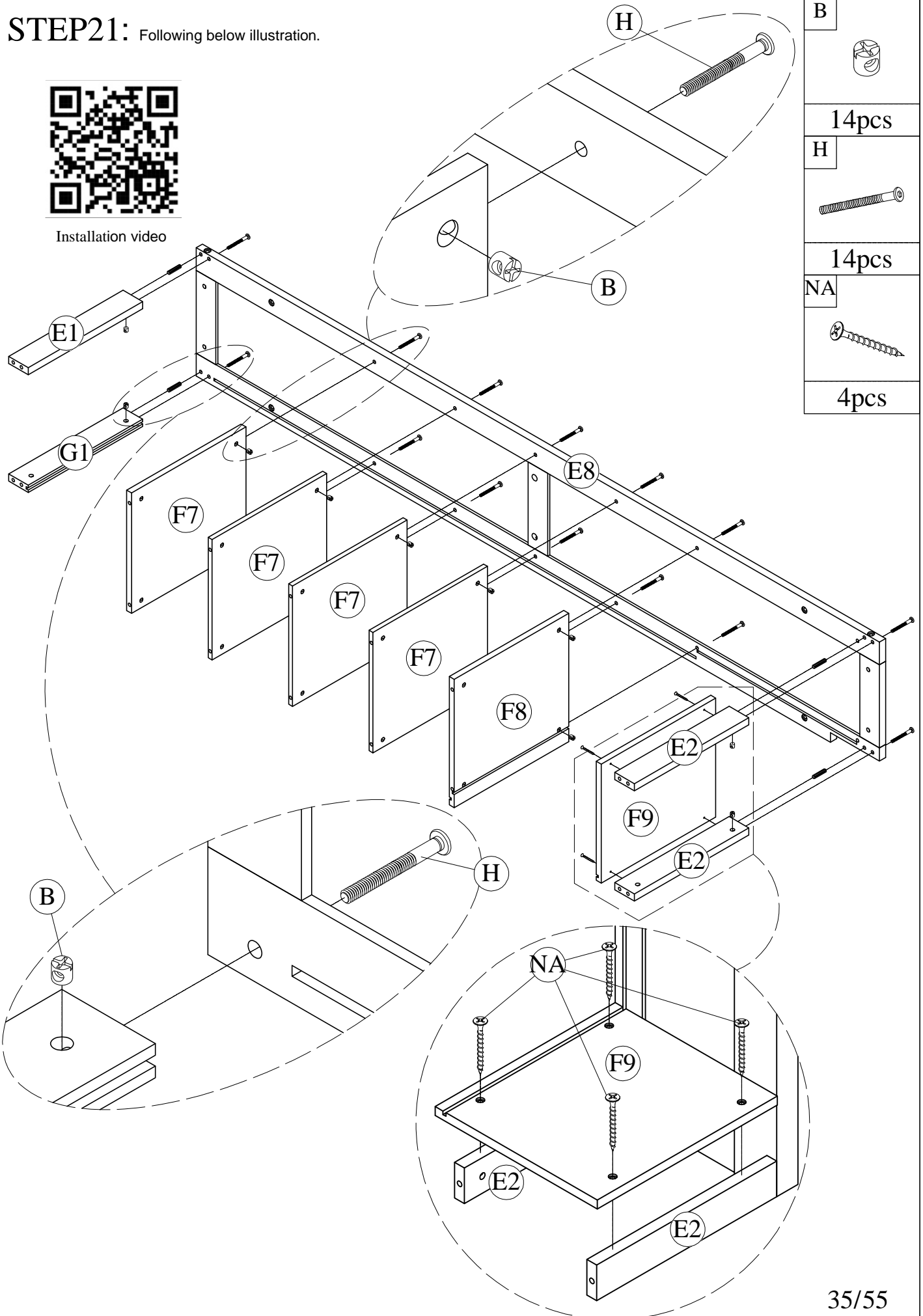


A	
	6pcs
B	
	8pcs
C	
	8pcs
D	
	2pcs

STEP21: Following below illustration.



Installation video

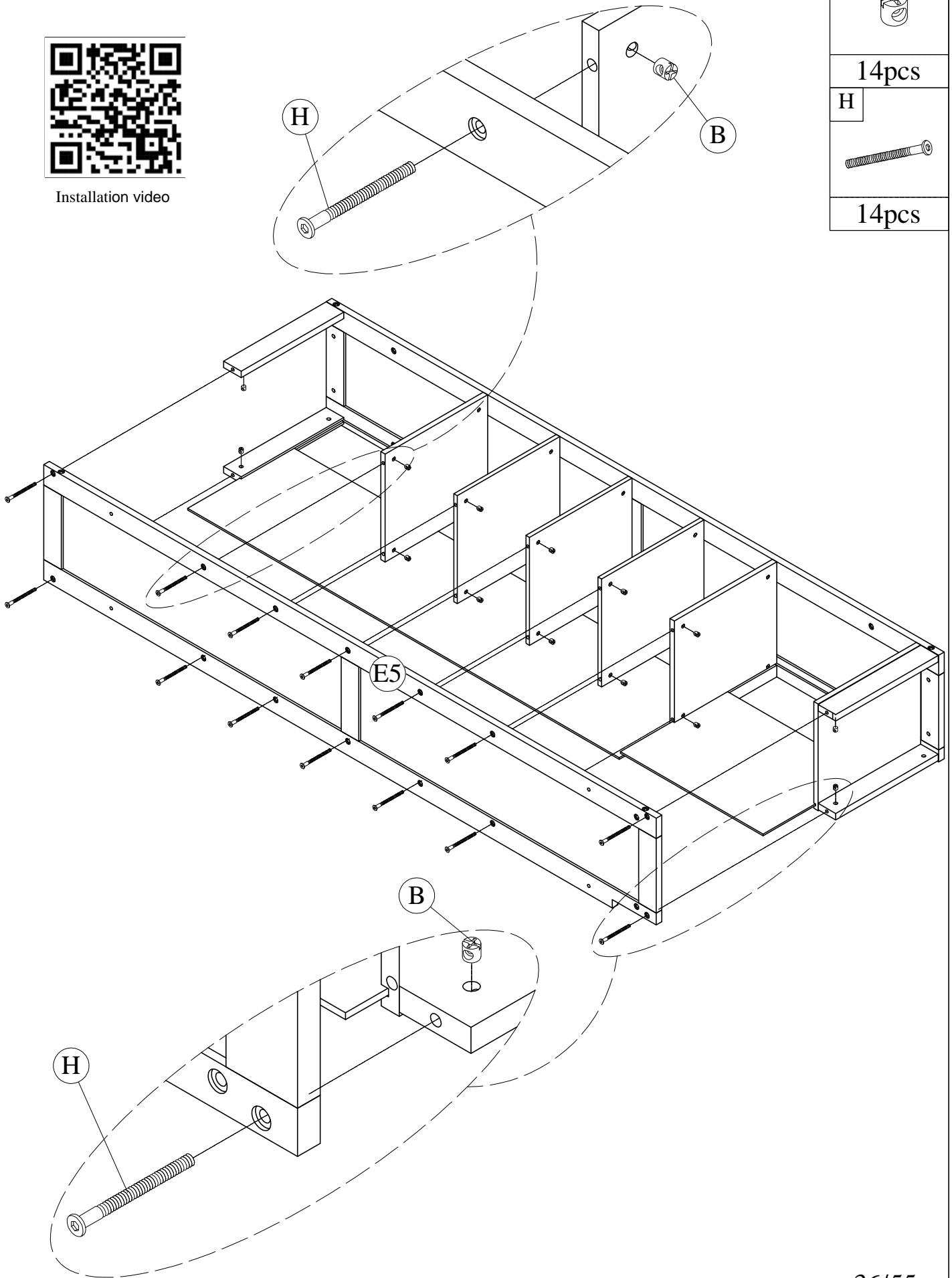


B	
	14pcs
H	
	14pcs
NA	
	4pcs

STEP22: Following below illustration.



Installation video



B



14pcs

H



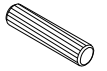
14pcs

STEP23: Following below illustration.



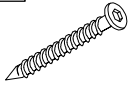
Installation video

C

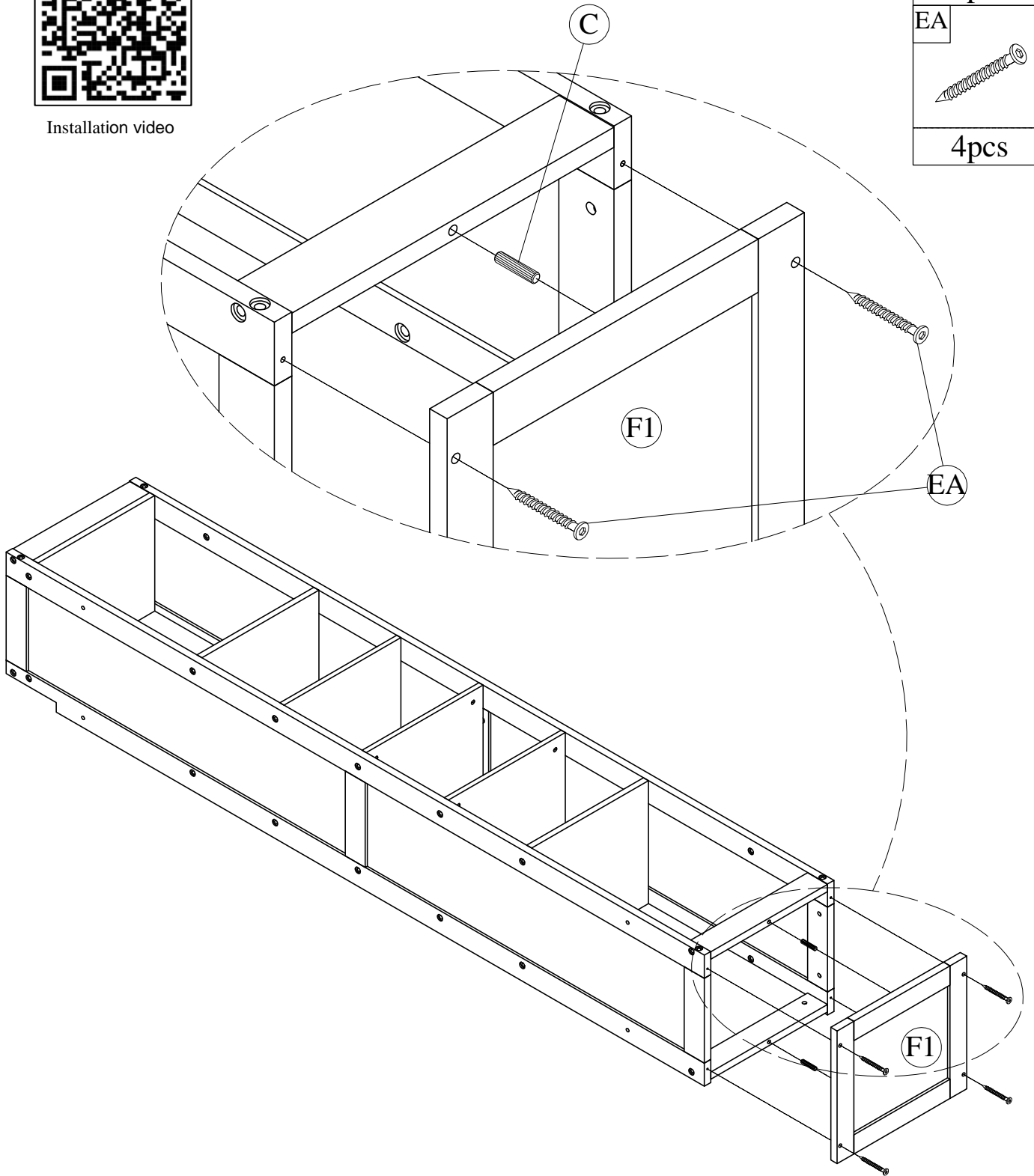


2pcs

EA



4pcs

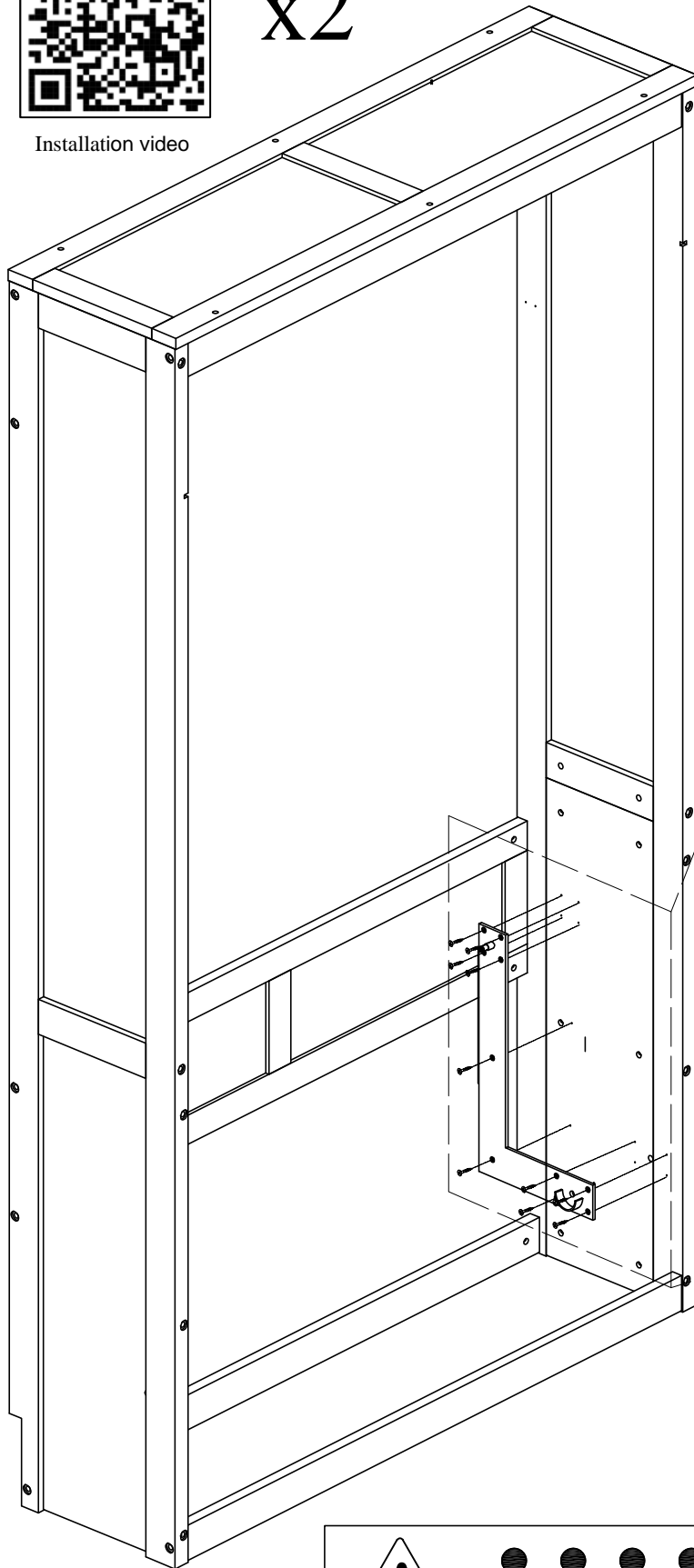


STEP24: Following below illustration.

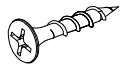


Installation video

x2

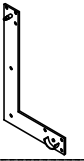


R

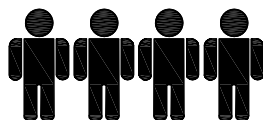
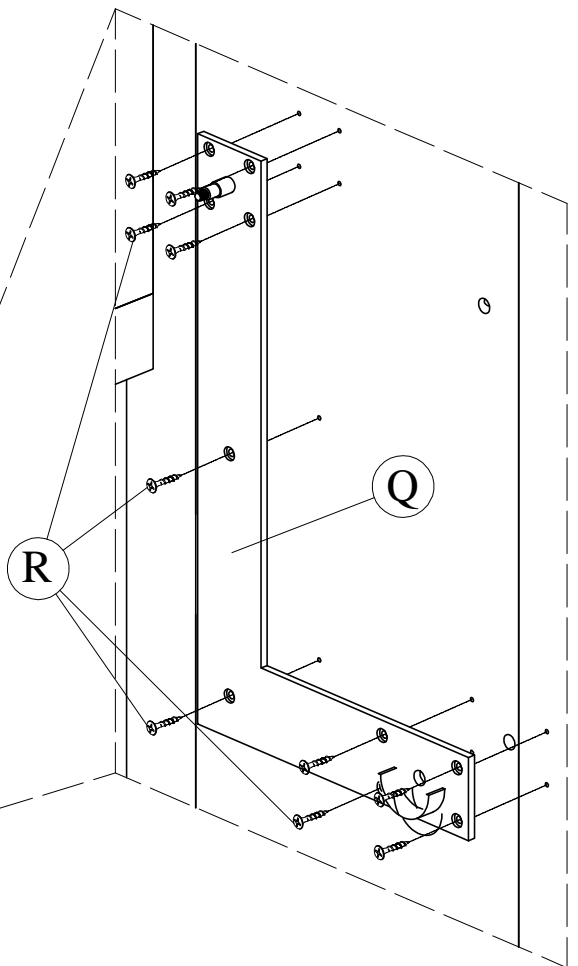


20pcs

Q



2pcs



.Requires 4 people to assemble
(2 people hold the large cabinet
in place and 2 people tilt the bed
until accessories are in place)

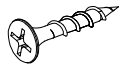
STEP25: Following below illustration.



Installation video

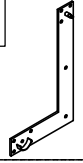
x2

R

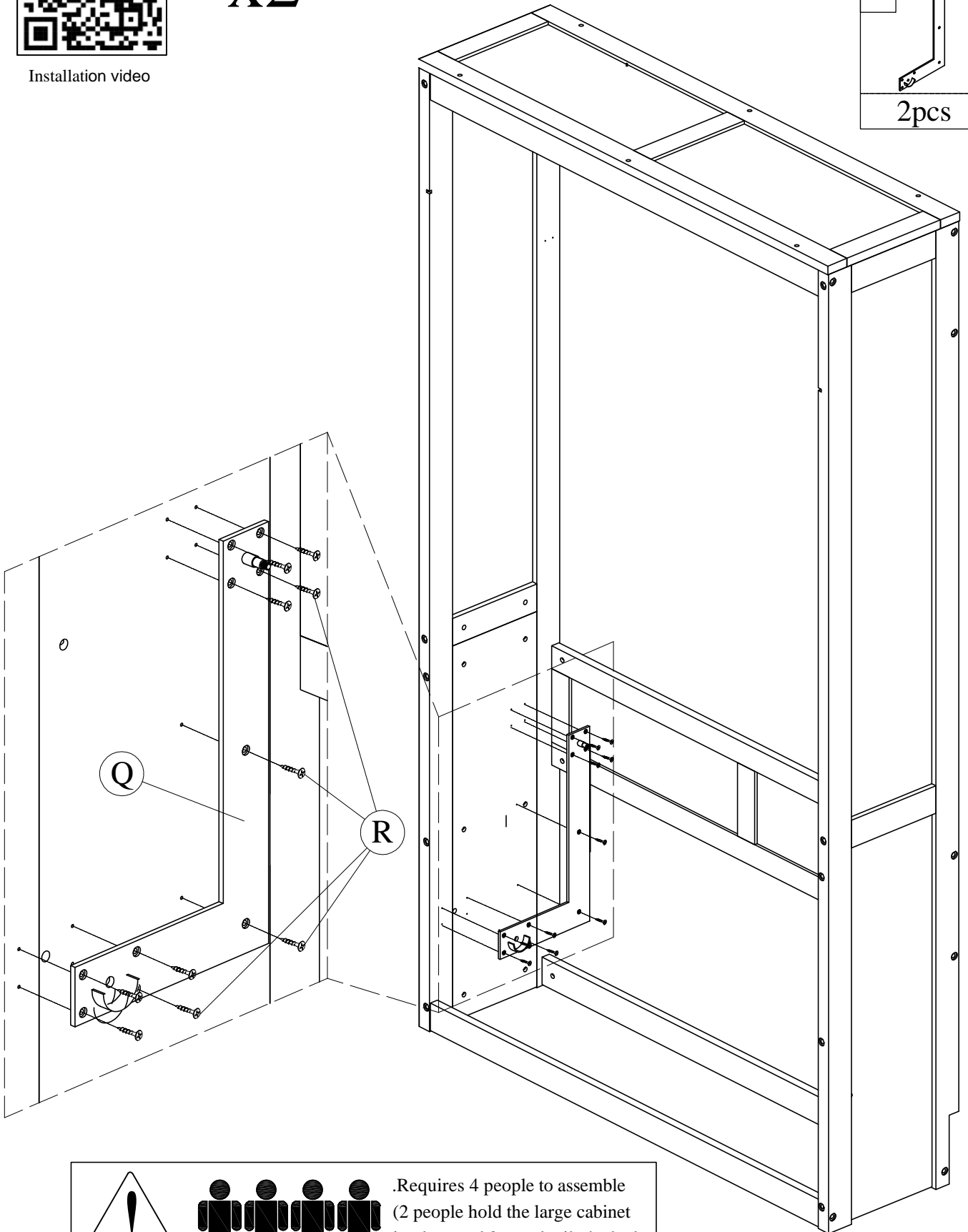


20pcs

P



2pcs



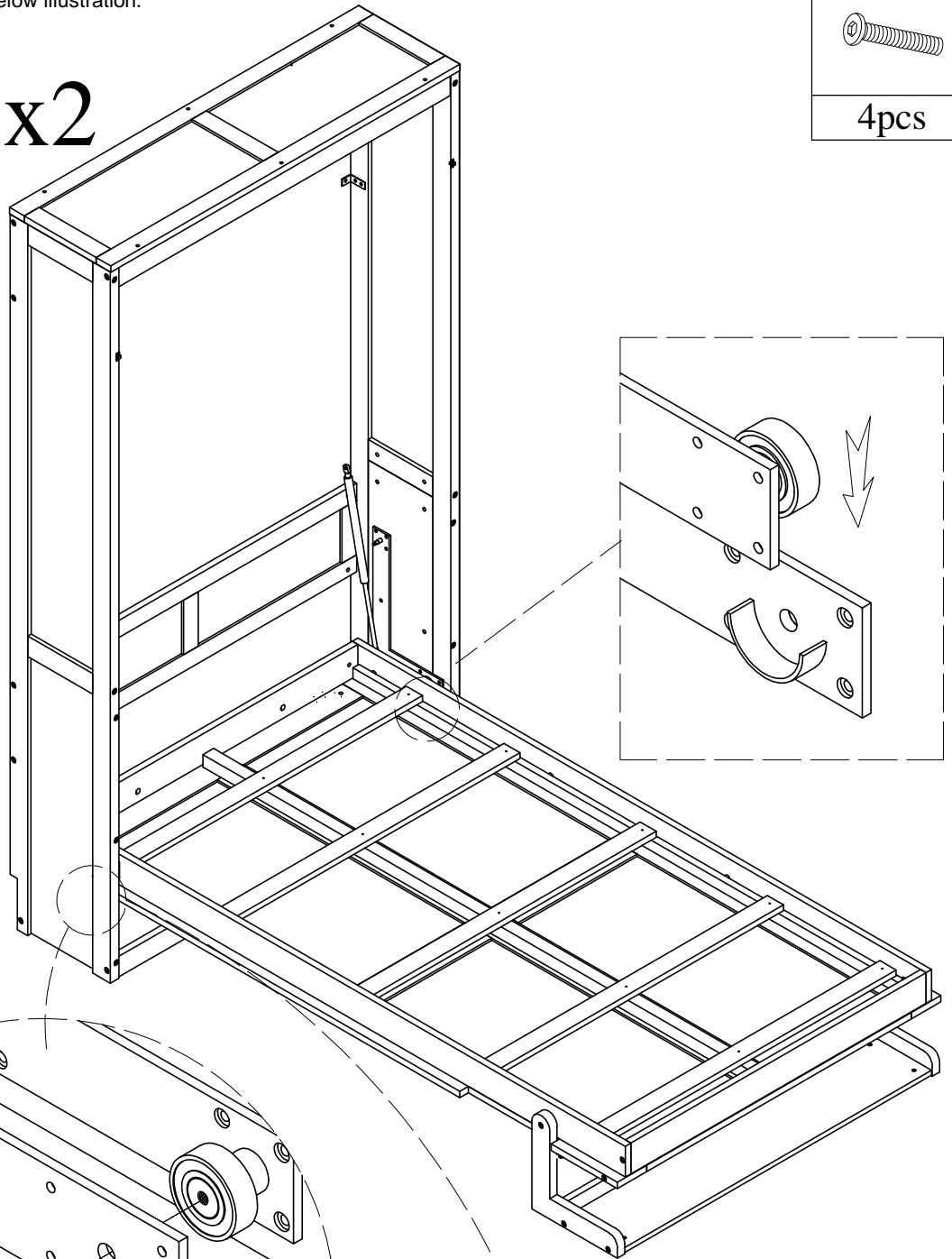
.Requires 4 people to assemble
(2 people hold the large cabinet
in place and 2 people tilt the bed
until accessories are in place)

STEP26: Following below illustration.

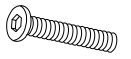


Installation video

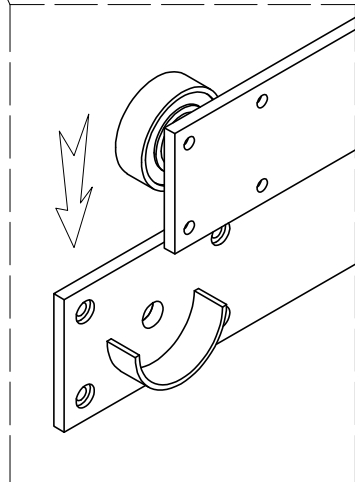
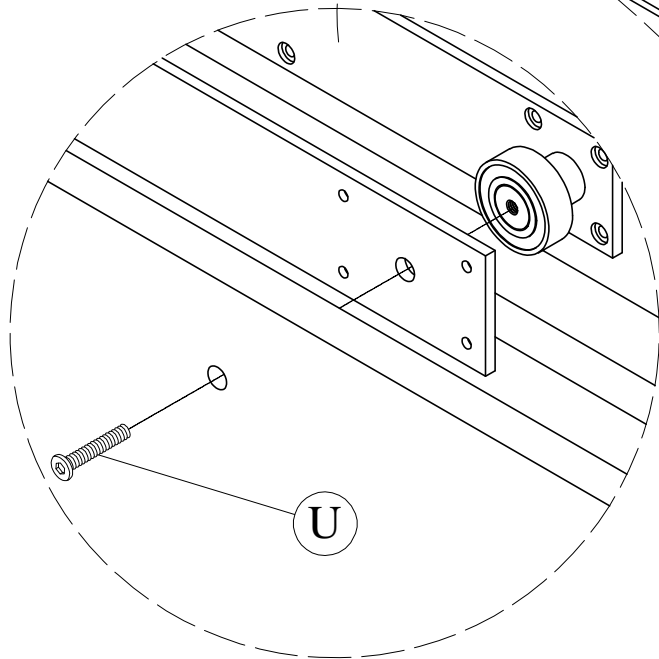
x2



U



4pcs



.Requires 4 people to assemble
(2 people hold the large cabinet
in place and 2 people tilt the bed
until accessories are in place)

STEP27: Following below illustration.



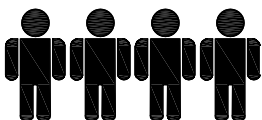
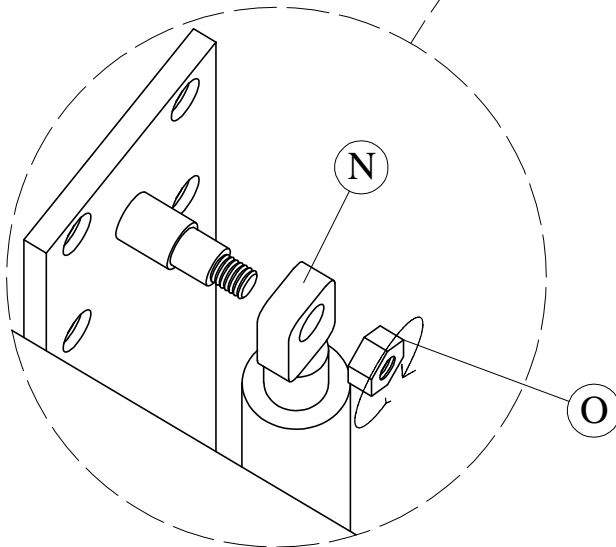
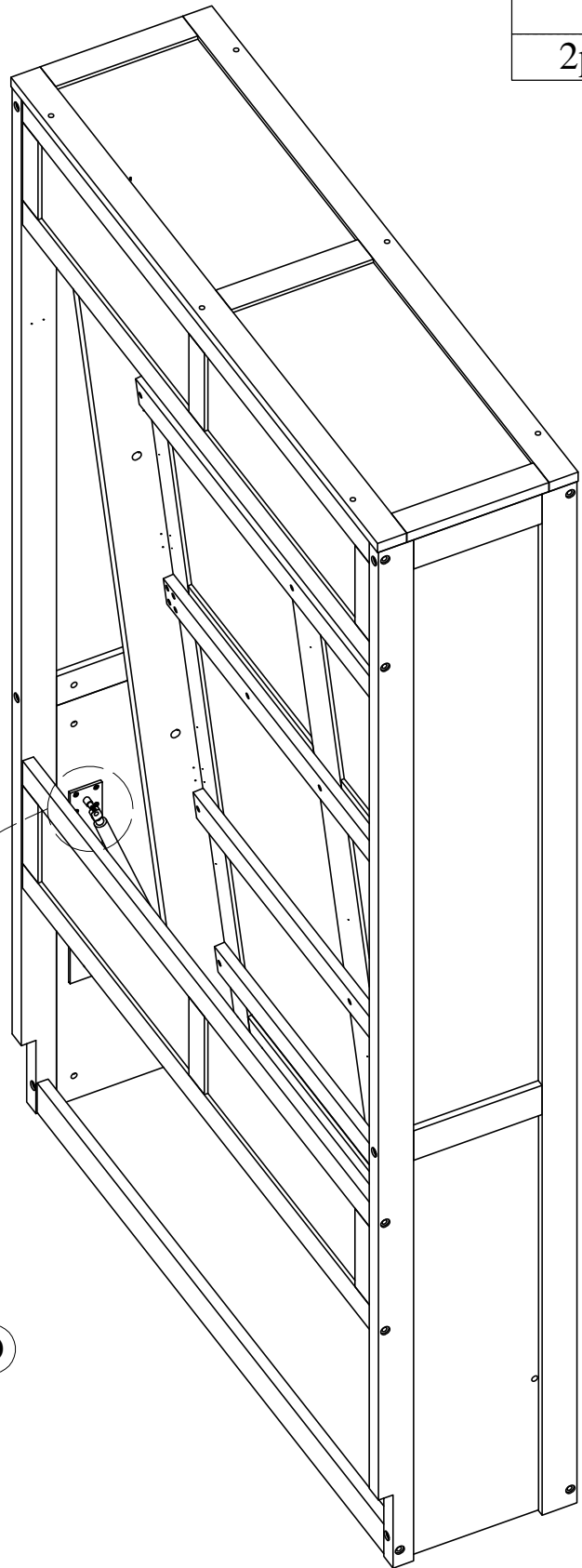
Installation video

x2

O



2pcs



.Requires 4 people to assemble
(2 people hold the large cabinet
in place and 2 people tilt the bed
until accessories are in place)

STEP28: Following below illustration.

O

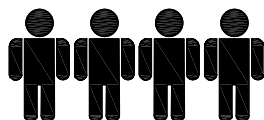
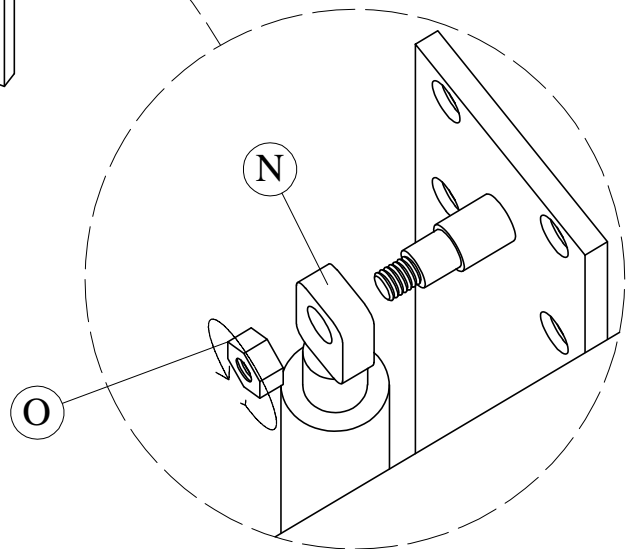
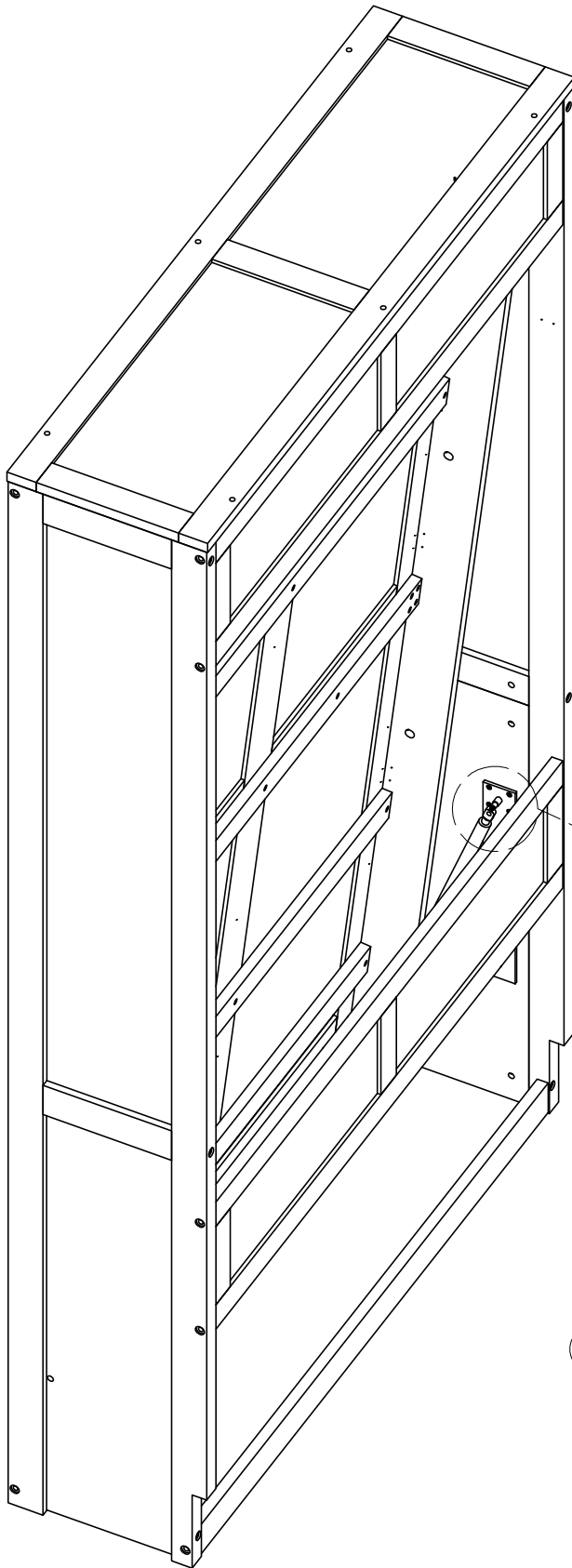


2pcs

x2

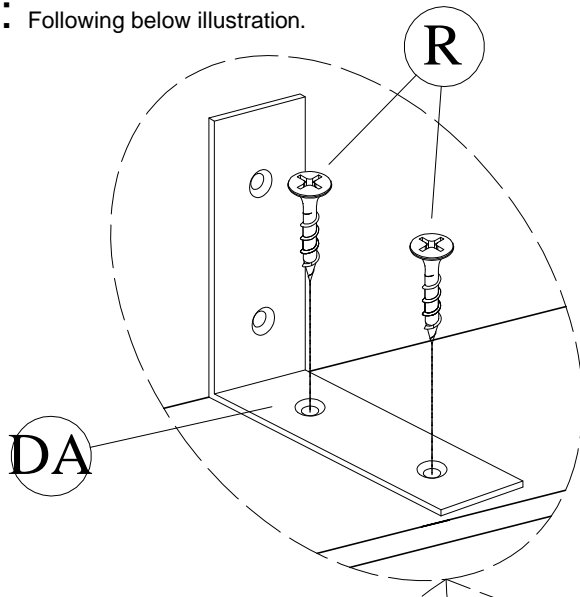


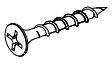

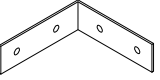
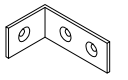
Installation video

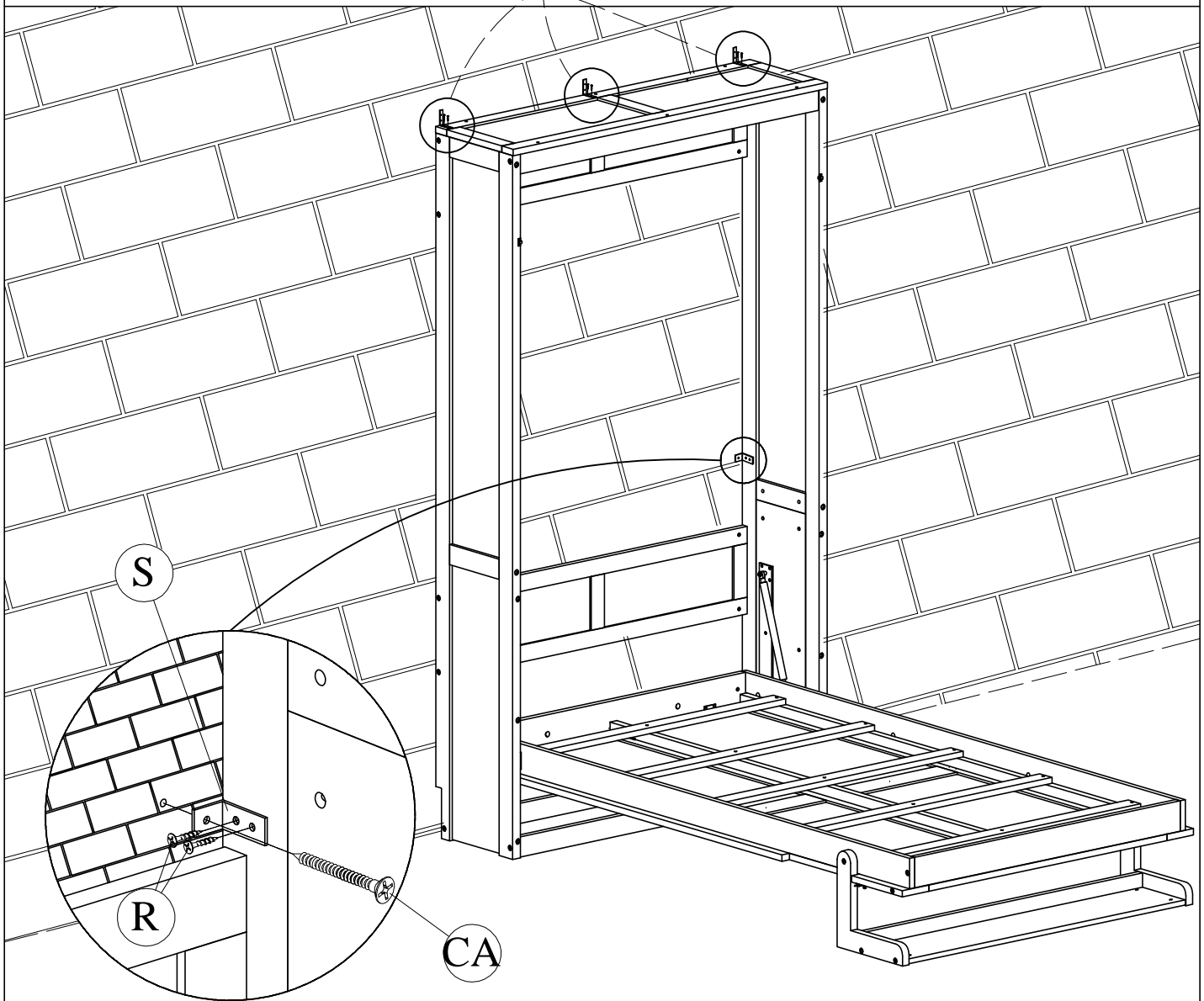


.Requires 4 people to assemble
(2 people hold the large cabinet
in place and 2 people tilt the bed
until accessories are in place)

STEP29: Following below illustration.

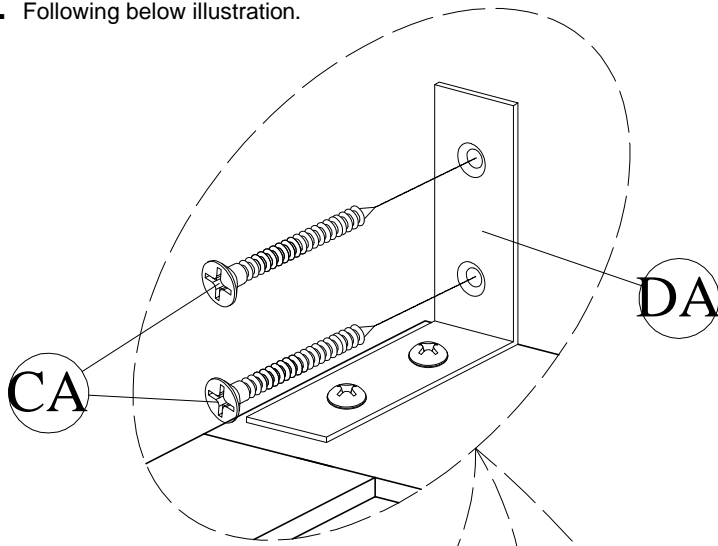


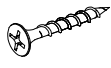

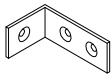
R	CA	DA
		
8pcs	1pc	3pcs
		S
		
		1pc

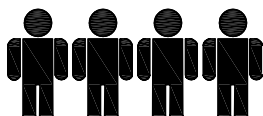
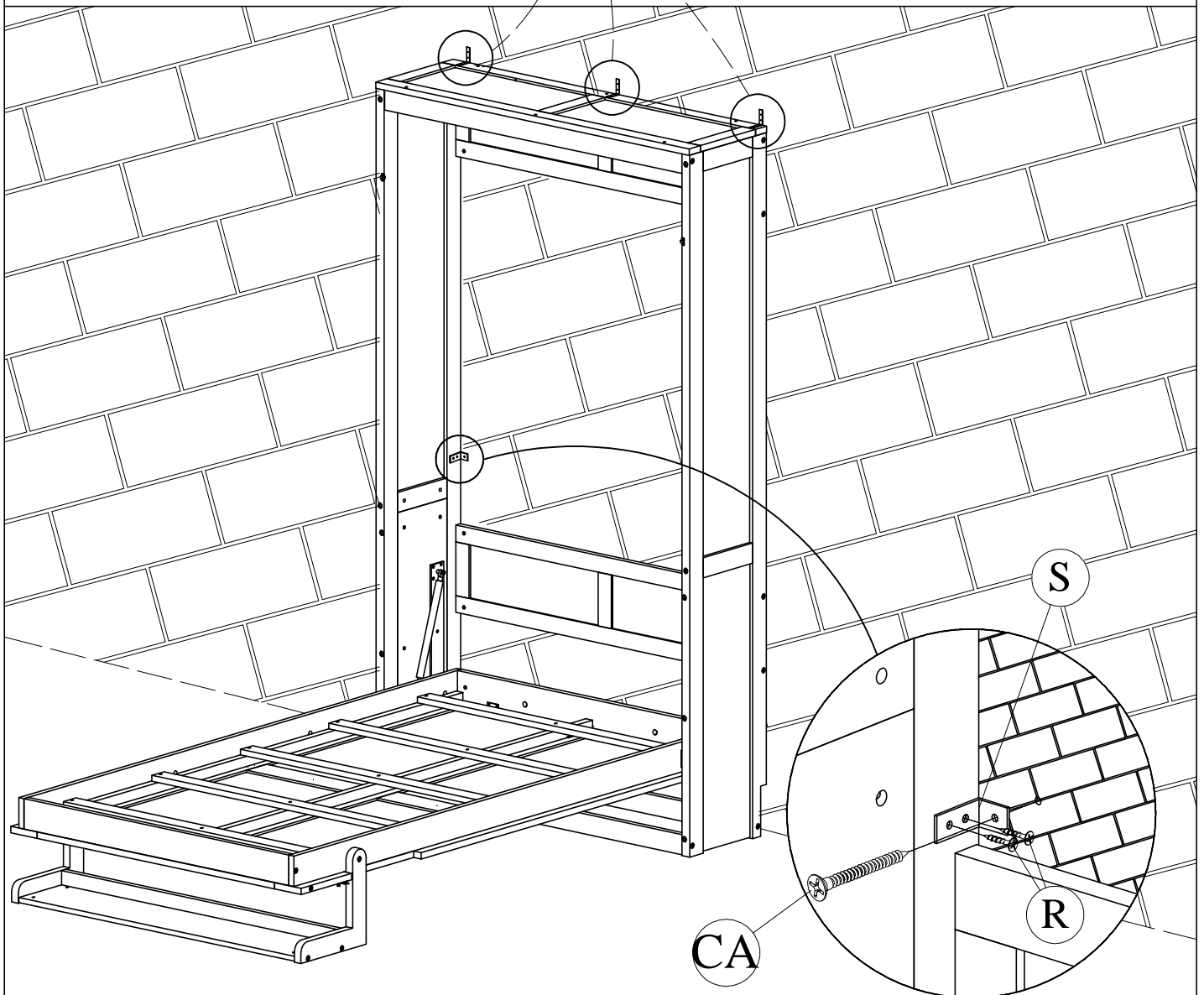


.Requires 4 people to assemble
(2 people hold the large cabinet
in place and 2 people tilt the bed
until accessories are in place)

STEP30: Following below illustration.



R	CA
	
2pcs	7pcs
	S
	
	1pc



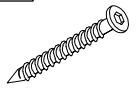
.Requires 4 people to assemble
(2 people hold the large cabinet
in place and 2 people tilt the bed
until accessories are in place)

STEP31: Following below illustration.

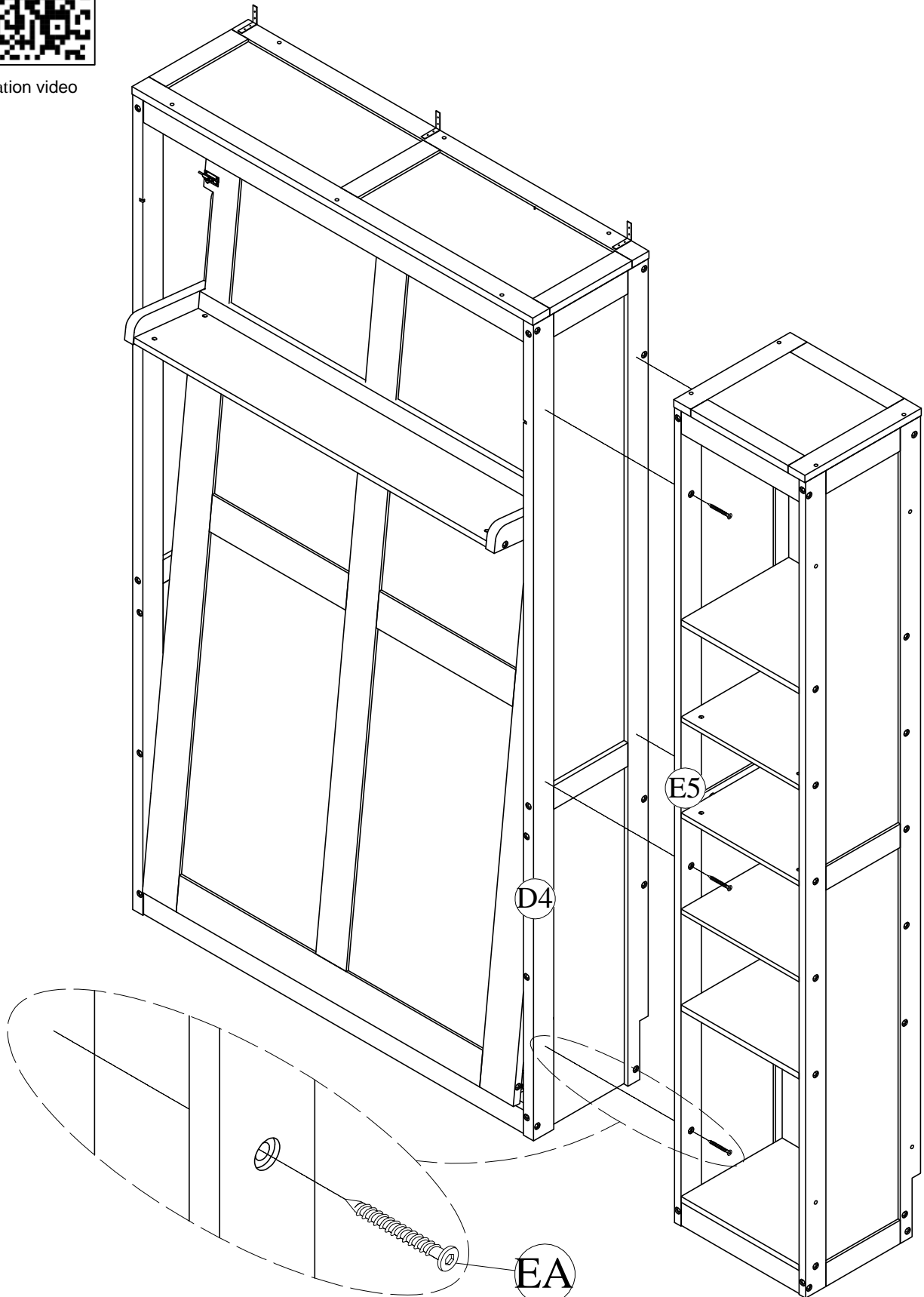


Installation video

EA

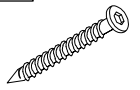


5pcs



STEP32: Following below illustration.

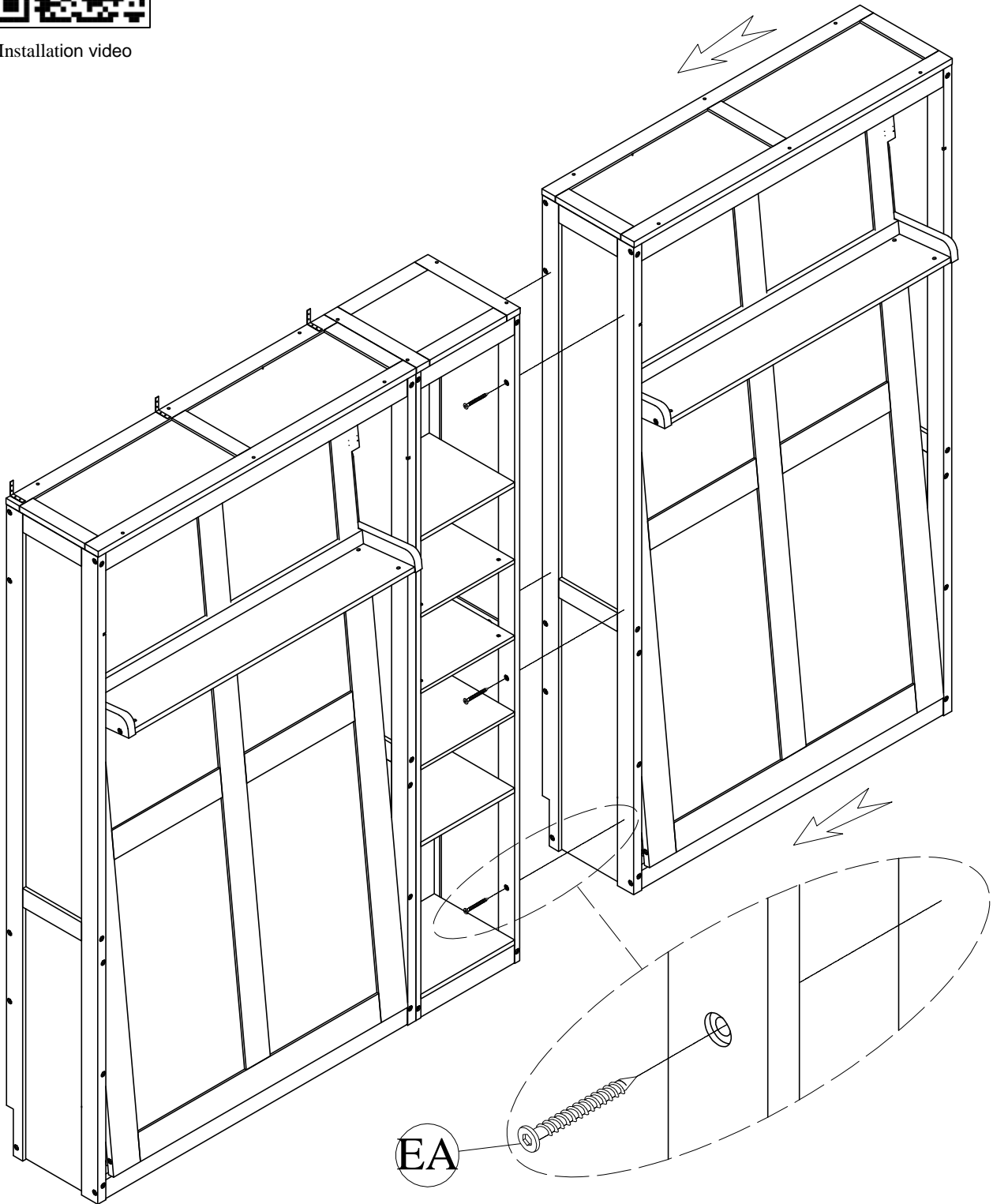
EA



5pcs

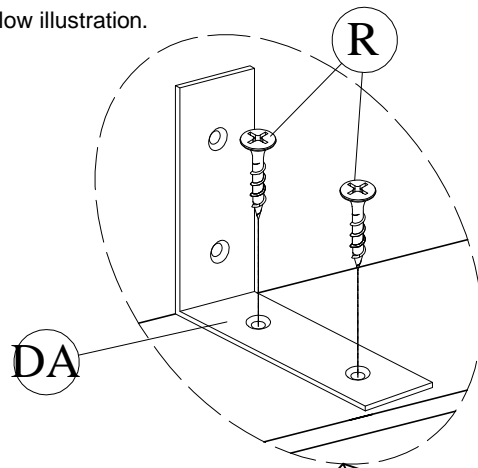


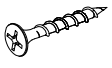

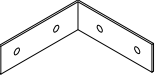
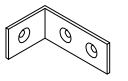
Installation video

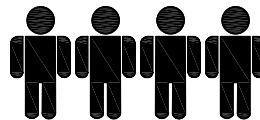
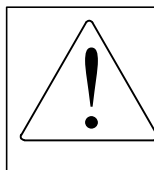
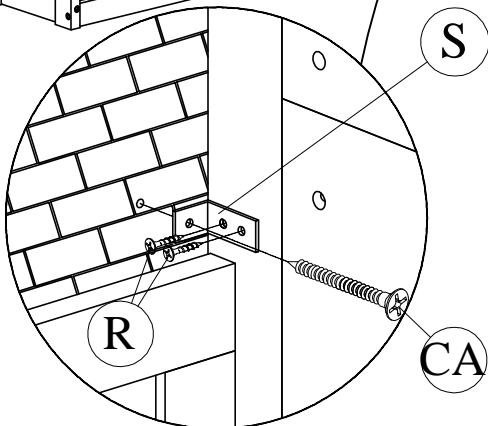
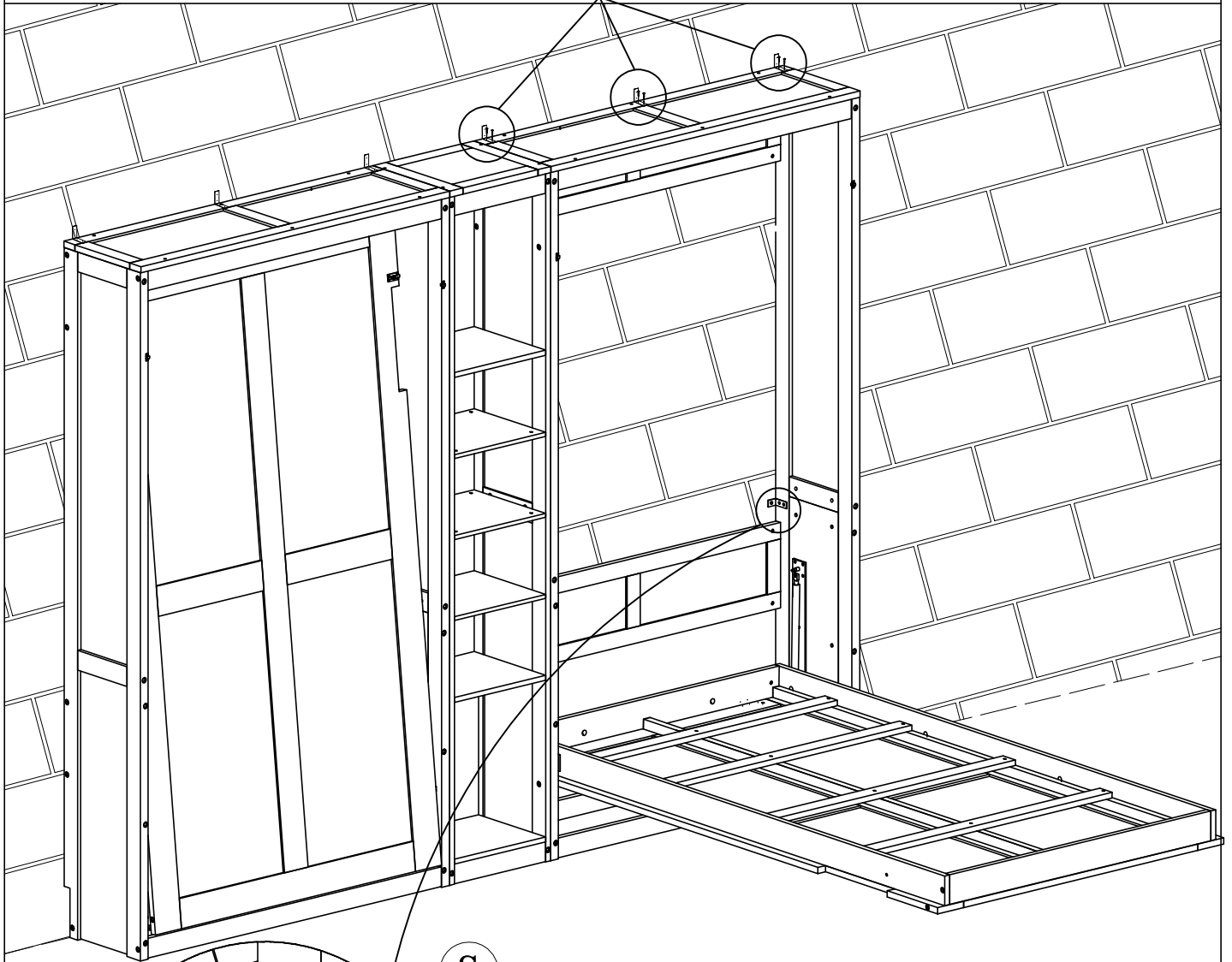


.Requires 4 people to assemble
(2 people hold the large cabinet
in place and 2 people tilt the bed
until accessories are in place)

STEP33: Following below illustration.

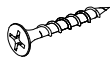

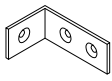


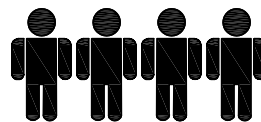
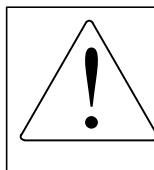
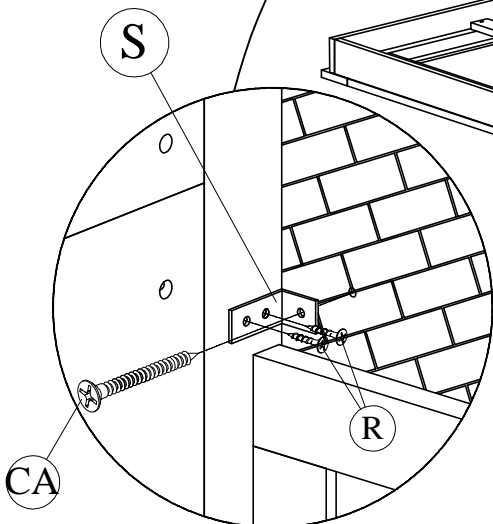
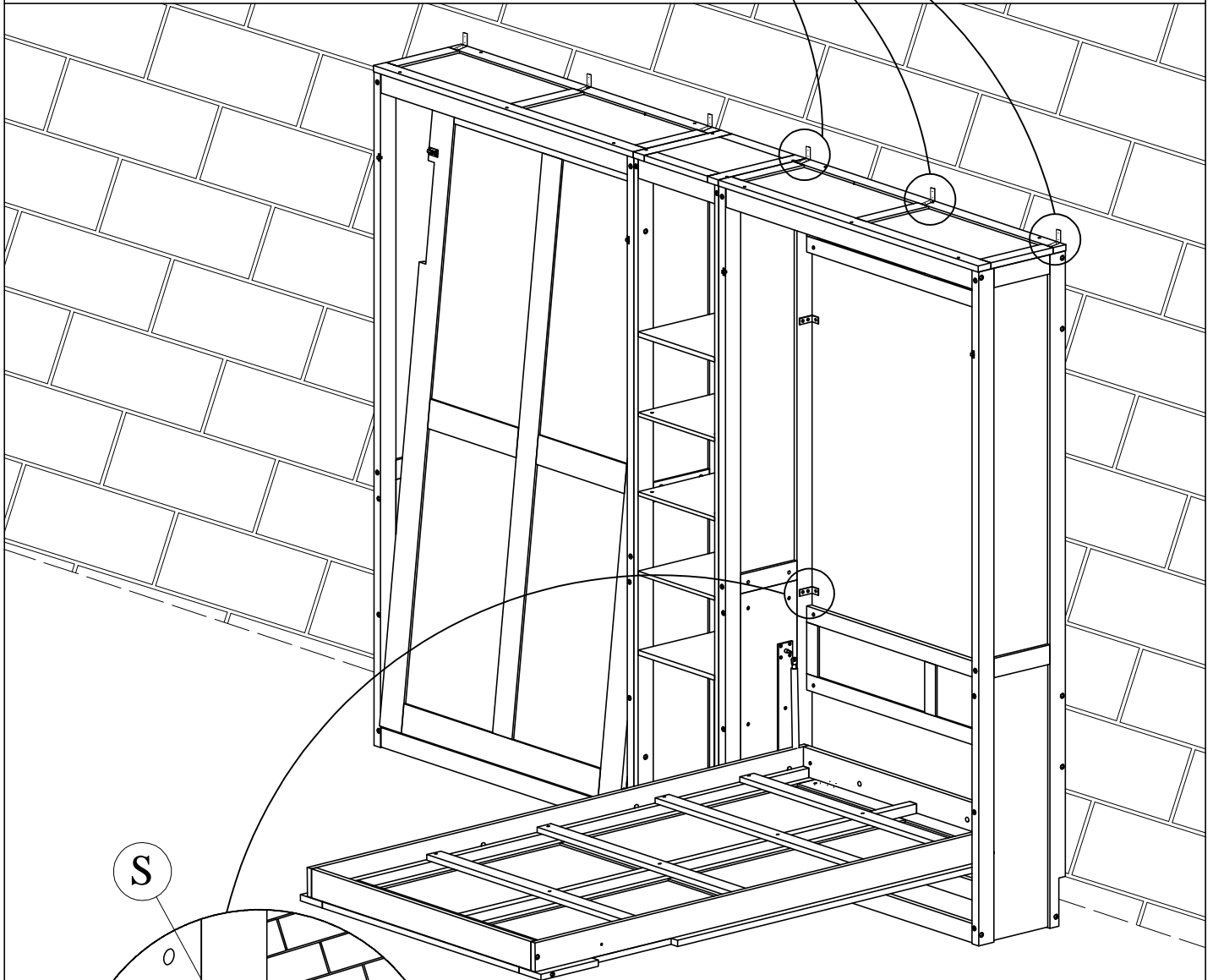
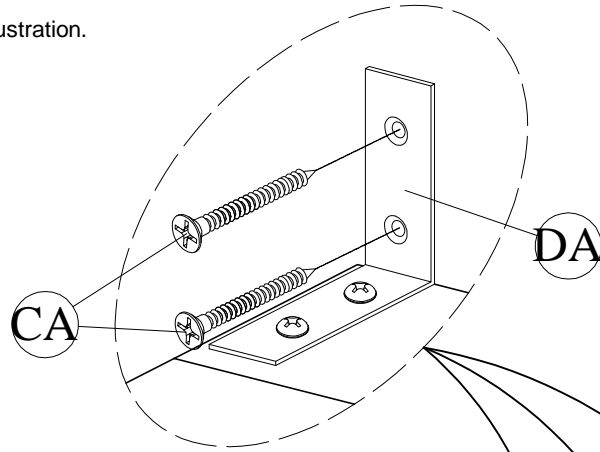
R	CA	DA
		
8pcs	1pc	3pcs
		S
		
		1pc



.Requires 4 people to assemble
(2 people hold the large cabinet
in place and 2 people tilt the bed
until accessories are in place)

STEP34: Following below illustration.

R	CA
	
2pcs	7pcs
	S
	
	1pc

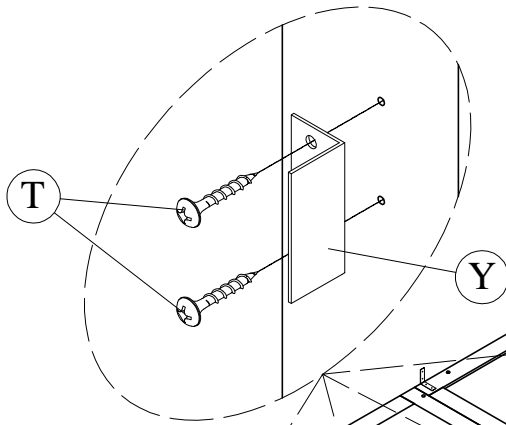


.Requires 4 people to assemble
(2 people hold the large cabinet
in place and 2 people tilt the bed
until accessories are in place)

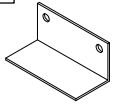
STEP35: Following below illustration.



Installation video

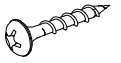


Y

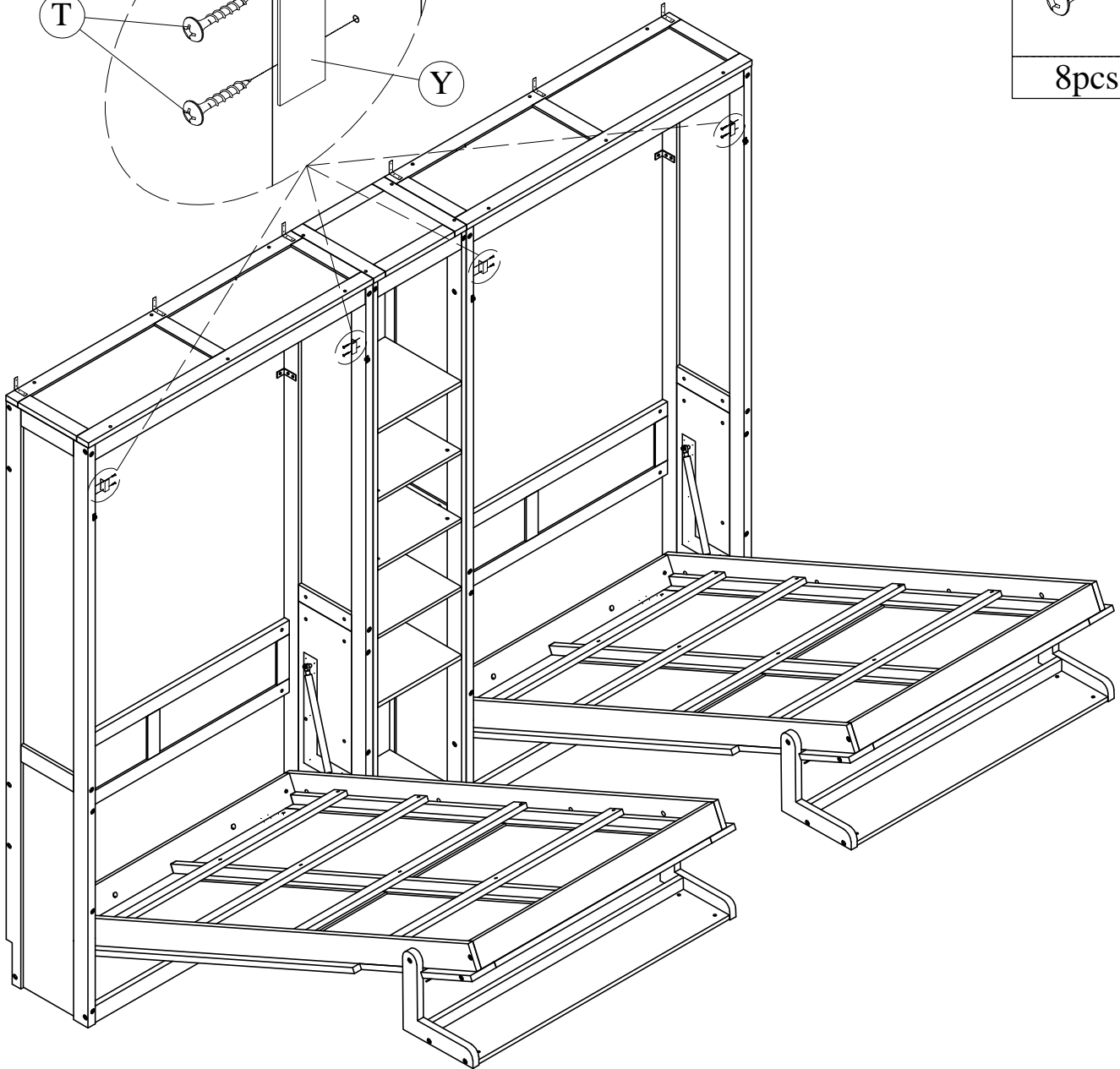


4pcs

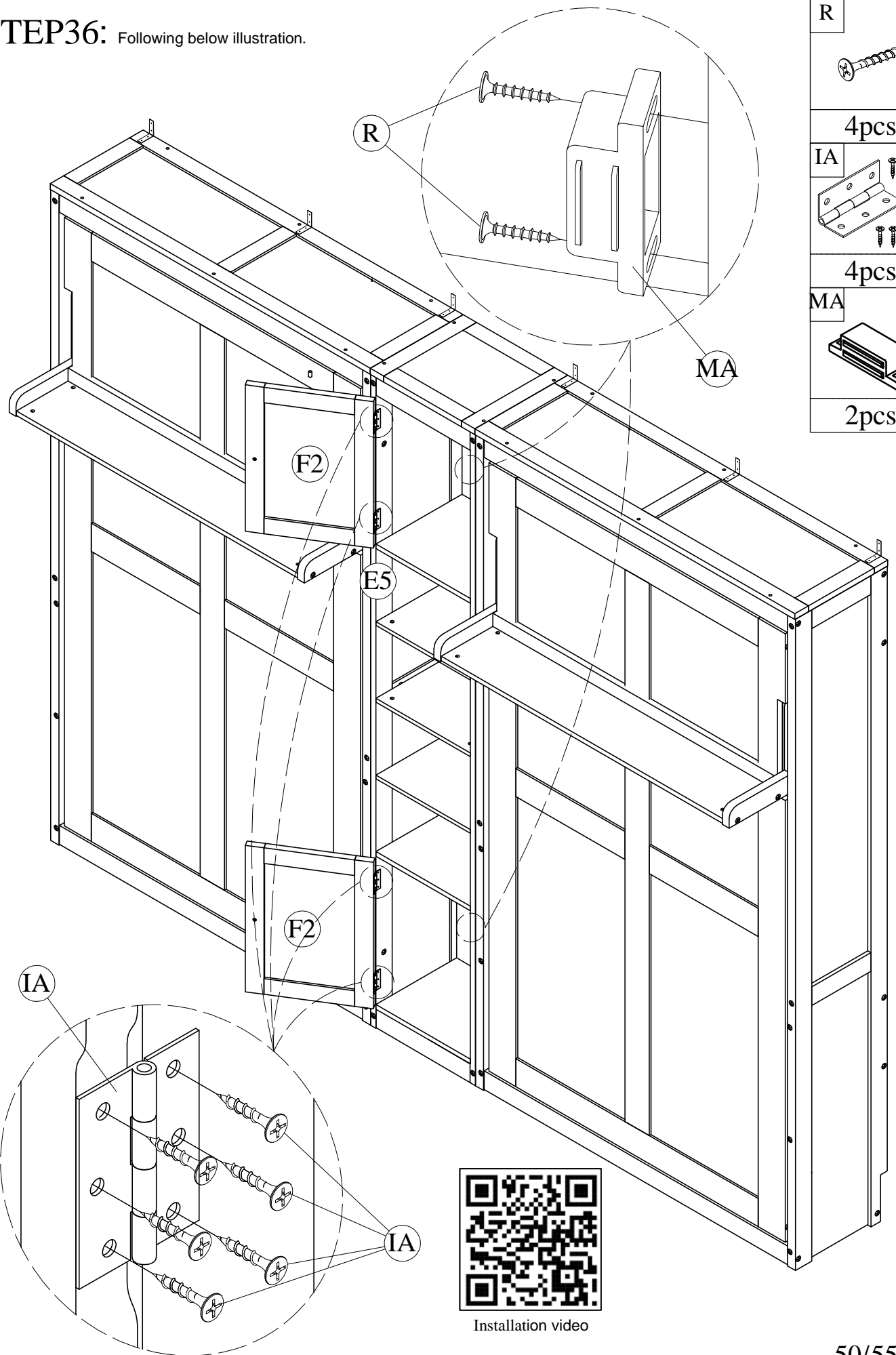
T



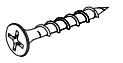
8pcs



STEP36: Following below illustration.

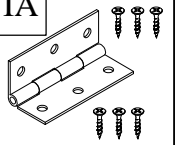


R



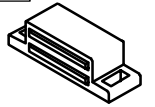
4pcs

IA



4pcs

MA



2pcs

R

MA

F2

E5

F2

IA

IA



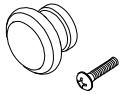
Installation video

STEP37: Following below illustration.

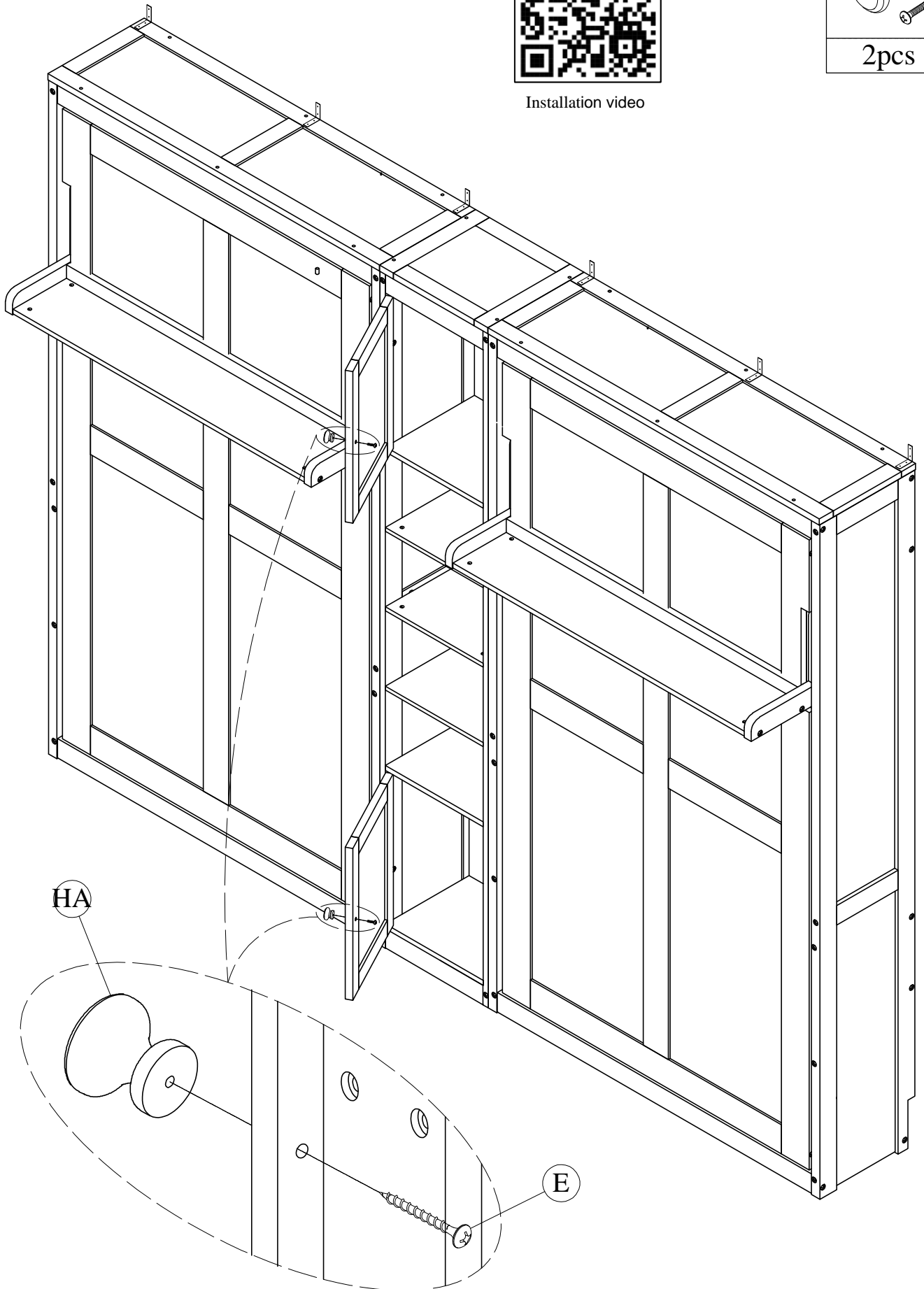


Installation video


HA

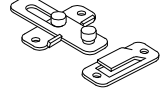


2pcs



STEP38: Following below illustration.

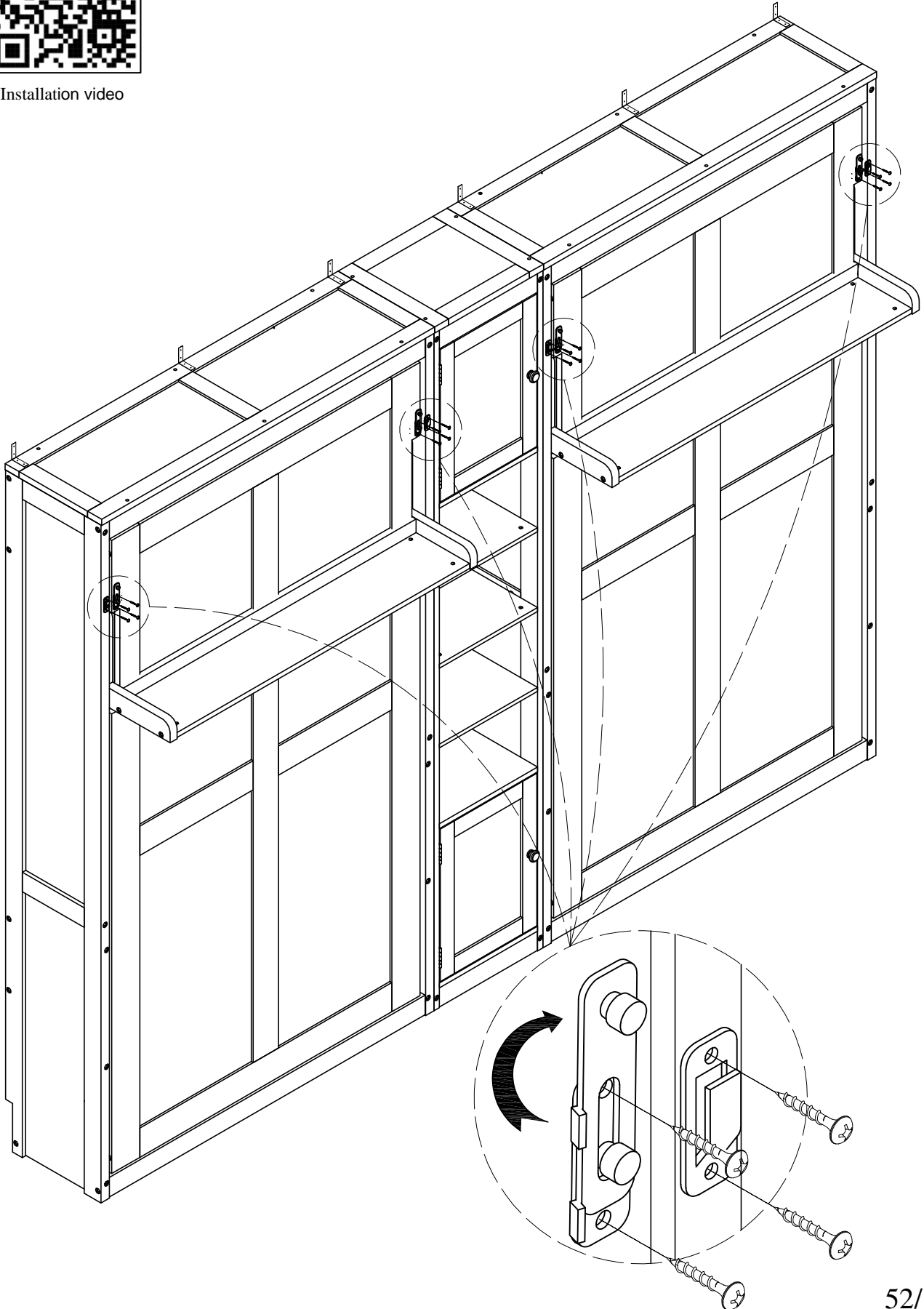
JA 



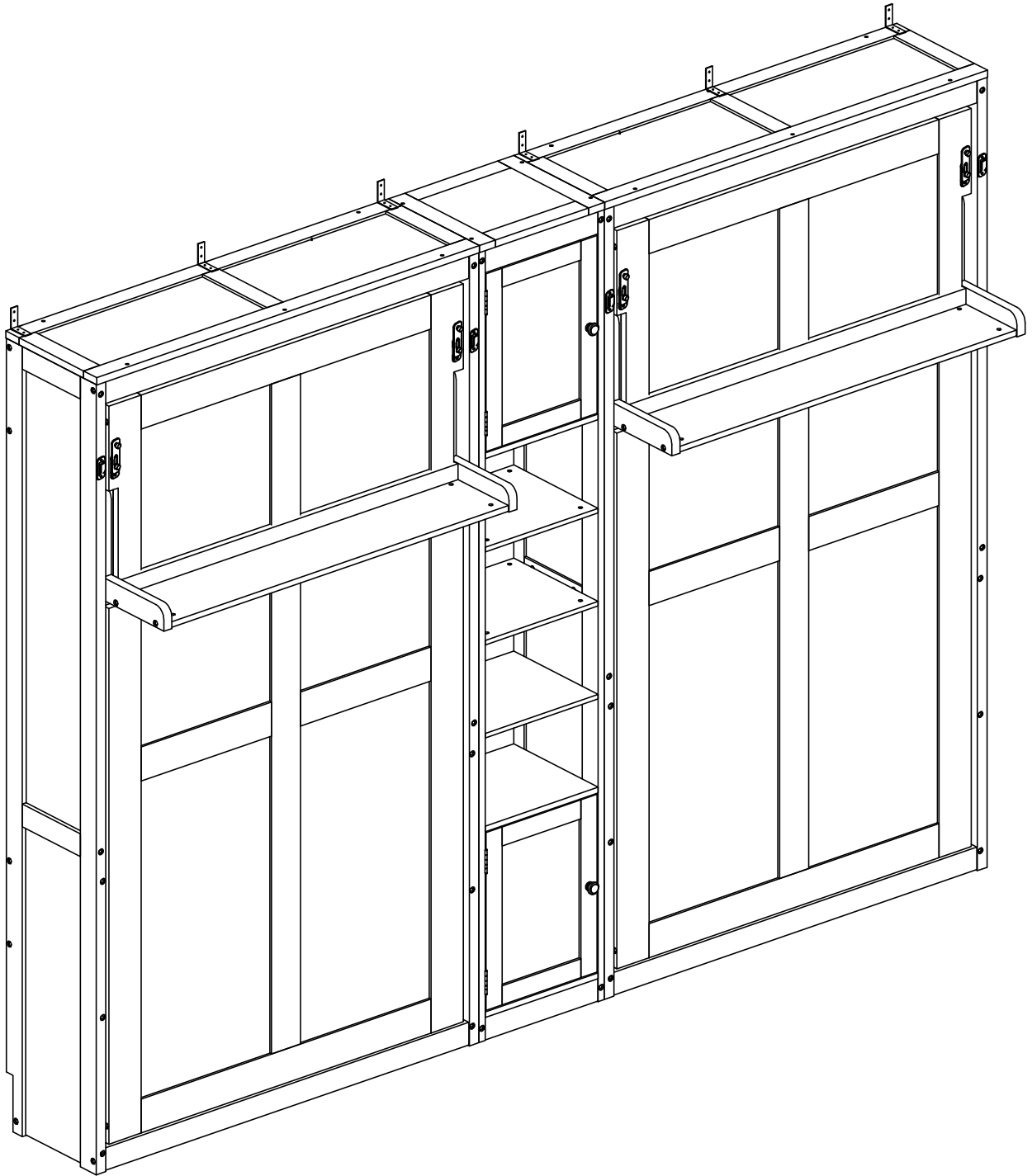
4pcs



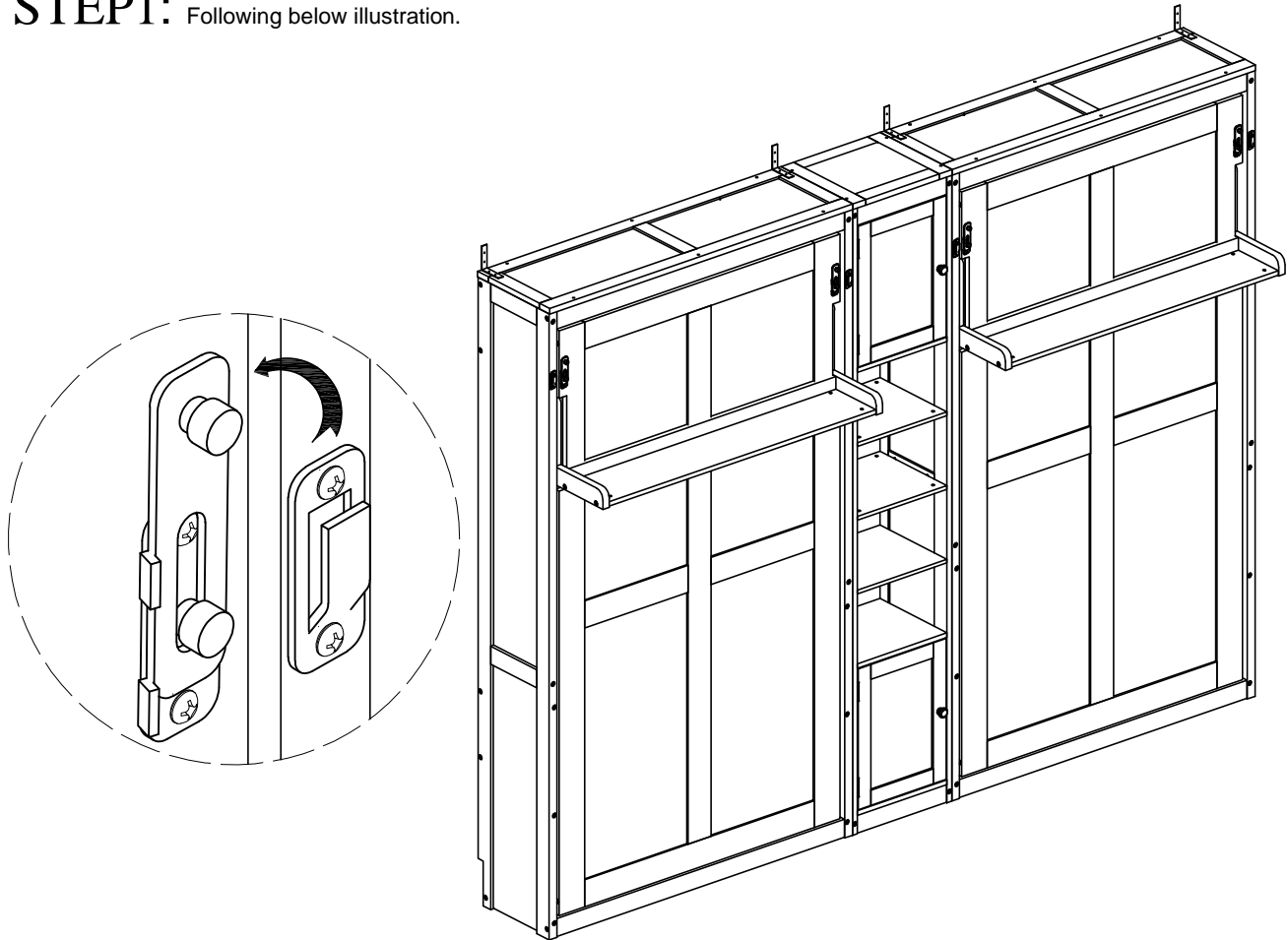
Installation video



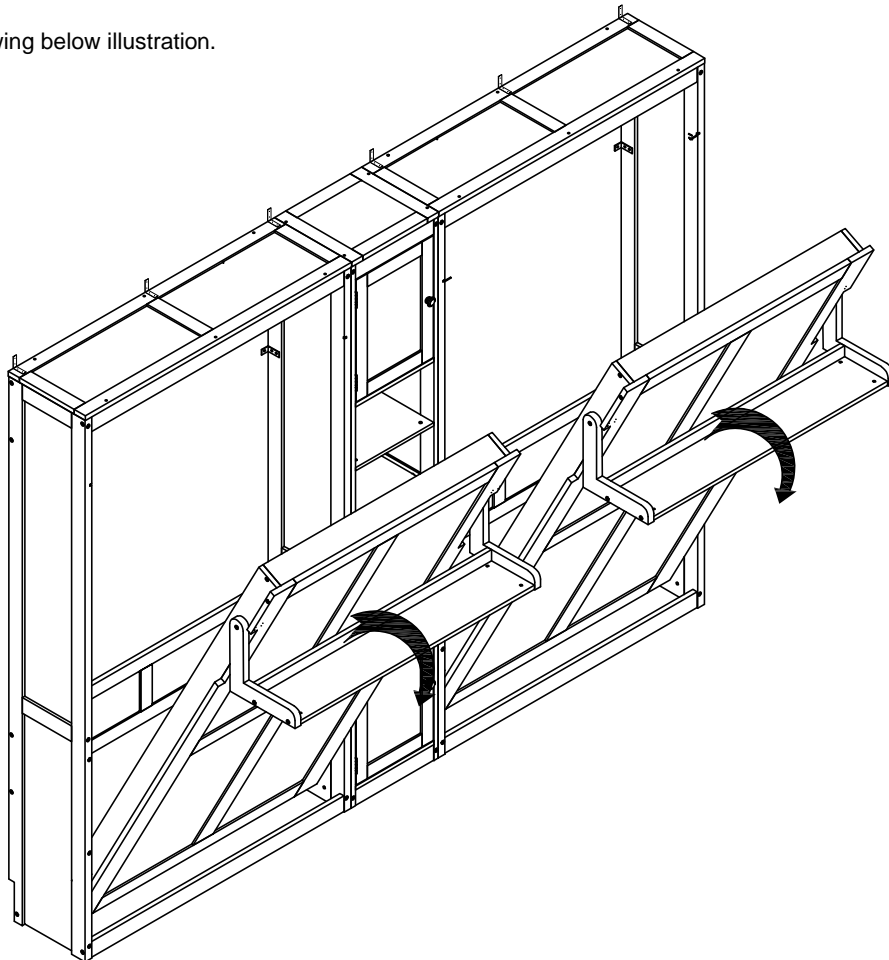
OPTION 1:



STEP1: Following below illustration.



STEP2: Following below illustration.



OPTION 2:

