

Assembly Guide

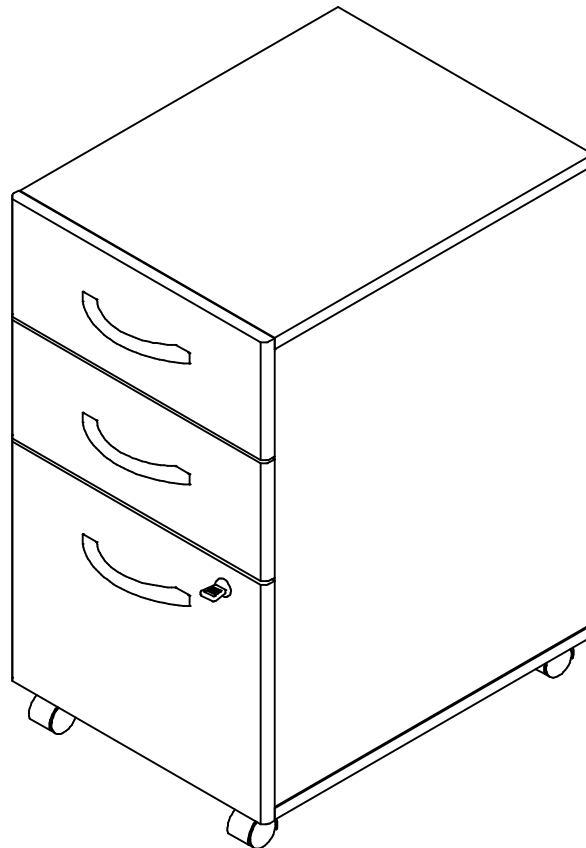


If you're having any difficulty during assembly of this product, don't hesitate to call us at **1-800-950-4782.**

Our customer service experts are trained to provide step-by-step instruction and can easily replace any missing or damaged parts.

Representatives are available Monday-Friday from 8:30 a.m. to 7:30 p.m. (ET)

16" Wide 3 Drawer Pedestal



Lot Code #

Part Number A179151H

Keep manual for future reference.

For best results, keep these tips in mind:

- ① We know you want to finish this assembly as quickly as possible, but trust us: you'll have a better experience if you take it one step at a time.
- ② Give yourself some room to work near where you want the fully assembled product.
- ③ If your floor isn't carpeted, assemble this product on the empty carton to avoid scratching.
- ④ Do you have a friend who owes you a favor? Some steps may go a little easier with a second set of hands.

DOs

- ✔ Use a #2 Phillips head screwdriver (or other handheld tools as indicated)
- ✔ Wear safety glasses at all times during assembly
- ✔ Carefully follow the instructions in this guide and complete all steps in order
- ✔ Give us a call if you're having trouble with a particularly tricky step

DON'Ts

- ✘ We know power tools are quick and easy, but you shouldn't use them when assembling this product (unless otherwise specified)
- ✘ Never move your furniture with items inside or resting on the surface
- ✘ Do not attempt to use this product before all steps have been completed



Watch assembly videos right on your phone or computer!



Some steps include QR codes that link to helpful videos. Watch out for the icon below! Simply open up your smartphone camera to scan the code.

(Users of older smartphones may need to install a QR Reader.)

SCAN HERE



FOR VIDEOS

Or visit <https://www.bushbusinessfurniture.com/CustomerService/HowtoAssemble.aspx>

IMPORTANT SAFETY INFORMATION



PLEASE READ WARNINGS

Improper use can cause safety hazards, or damage to your furniture and household items.

Warning	Do	Don't	Why it's important
Serious injury may occur.	<ul style="list-style-type: none">Assemble following all instructions using all indicated parts and hardware provided.Install every indicated nail and/or screw.Verify furniture is stable on it's own.Place heaviest items in the lower drawers.Always load the bottom drawer first.	<ul style="list-style-type: none">Do not move unit when loaded.Do not load with a television or other heavy equipment.Never exceed the maximum load limits stated in the instructions.	Improper assembly, use or loading can lead to product instability, tip-over or collapse.

Caution	Do	Don't	Why it's important
Injury may occur.	<ul style="list-style-type: none">Unload unit prior to moving starting with top drawer first.	<ul style="list-style-type: none">Do not move unit when loaded.	Loaded units are heavy and are not designed to be moved when loaded.

IMPORTANT SAFETY INFORMATION



PLEASE READ WARNINGS

Improper use can cause safety hazards, or damage to your furniture and household items.

Advertencia	Hacer	No	Por qué es importante
Se pueden producir lesiones graves.	<ul style="list-style-type: none">• Ensamble siguiendo todas las instrucciones utilizando todas las piezas y ferretería indicados provistos.• Instale todos los clavos y / o tornillos indicados.• Verifique que los muebles sean estables por sí mismos.• Coloque los artículos más pesados en los cajones inferiores.• Siempre cargue primero el cajón inferior.	<ul style="list-style-type: none">• No cargue con un televisor u otro equipo pesado.• No exceda los límites máximos de carga establecidos en las instrucciones.• No permita que los niños se paren, trepen o cuelguen de muebles.	El ensamblaje, uso o carga inadecuados pueden provocar inestabilidad del producto, vuelco o colapso.

Atención	Hacer	No	Por qué es importante
Se pueden producir lesiones.	<ul style="list-style-type: none">• Descargue la unidad antes de moverla, comenzando primero con el cajón superior.	<ul style="list-style-type: none">• No mueva la unidad cuando esté cargada.	Las unidades cargadas son pesadas y no están diseñadas para moverse cuando están cargadas.

IMPORTANT SAFETY INFORMATION

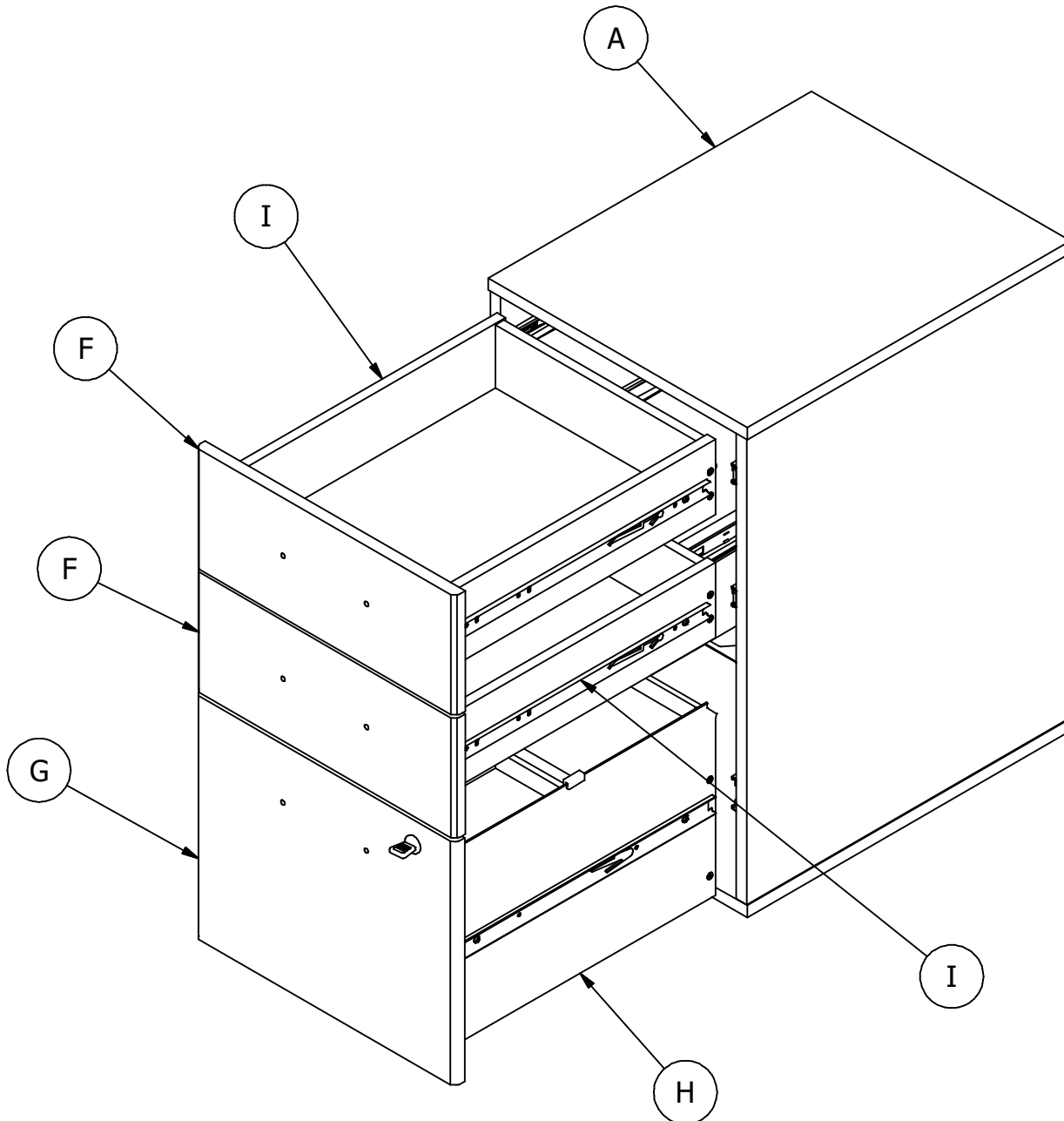
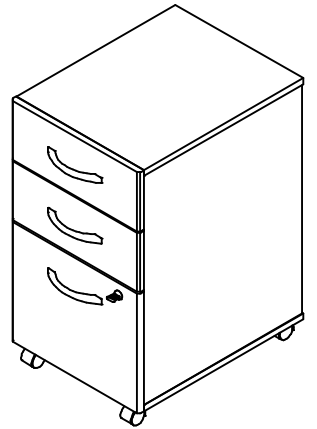


PLEASE READ WARNINGS

Improper use can cause safety hazards, or damage to your furniture and household items.

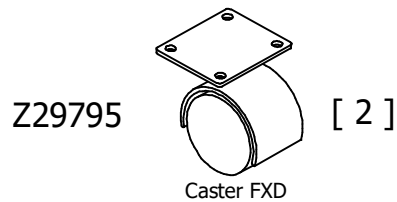
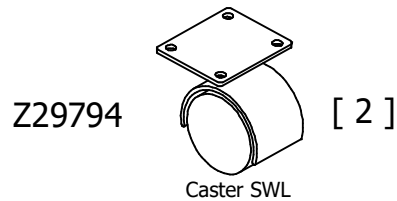
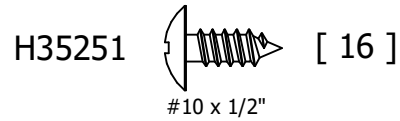
Avertissement	Faire	Ne le fais pas	Pourquoi c'est important
Des blessures graves peuvent survenir.	<ul style="list-style-type: none">Assemblez en suivant toutes les instructions en utilisant toutes les pièces et le matériel indiqués fournis.Installez tous les clous et / ou vis indiqués.Vérifiez que les meubles sont stables par eux-mêmes.Placez les objets les plus lourds dans les tiroirs inférieurs.Chargez toujours le tiroir inférieur en premier."	<ul style="list-style-type: none">Ne chargez pas avec un téléviseur ou un autre équipement lourd.Ne dépassez pas les limites de charge maximale indiquées dans les instructions.Ne laissez pas les enfants se tenir debout, grimper ou s'accrocher aux meubles.	Un assemblage, une utilisation ou un chargement incorrects peuvent entraîner une instabilité du produit, un renversement ou un effondrement.

Attention	Faire	Ne le fais pas	Pourquoi c'est important
Des blessures peuvent survenir.	<ul style="list-style-type: none">Déchargez l'unité avant de déplacer en commençant par le tiroir supérieur en premier.	<ul style="list-style-type: none">Ne déplacez pas l'unité lorsqu'elle est chargée.	Les unités chargées sont lourdes et ne sont pas conçues pour être déplacées lorsqu'elles sont chargées.



Have an assembly question or need a replacement part? Just call
1-800-950-4782, we are here to help.

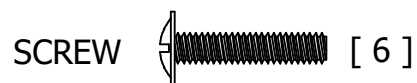
Fasteners are shown actual size.



Refer to PARTS LIST page for correct part numbers.

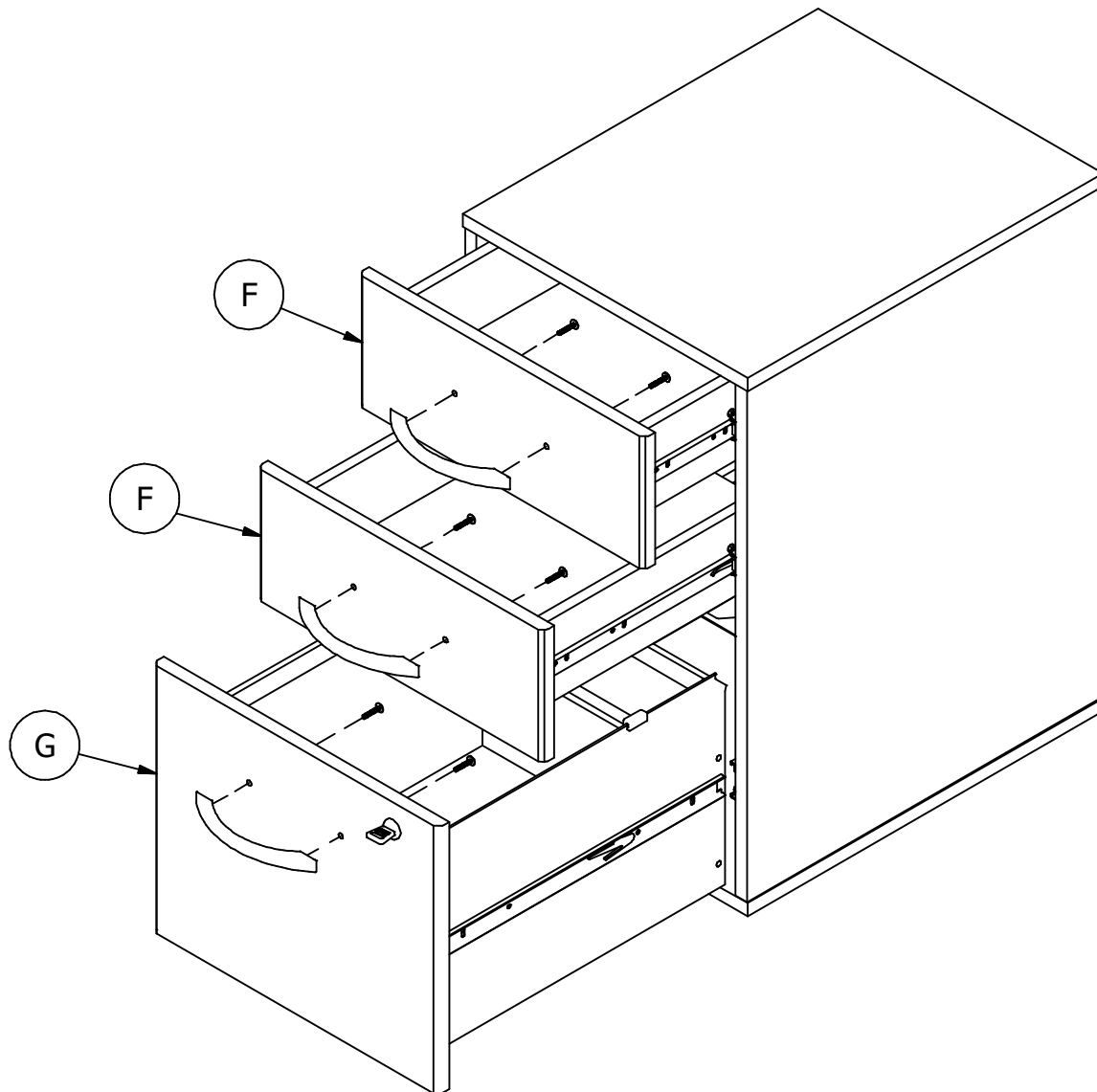
Consulte la página LISTA DE PIEZAS para obtener el número de pieza correctos.

Référez-vous à la page LISTE DES PIÈCES pour le numéro de pièce corrects.



Have an assembly question or need a replacement part? Just call
1-800-950-4782, we are here to help.

Refer to PARTS LIST page for correct part numbers.
Consulte la página LISTA DE PIEZAS para obtener el número de pieza correctos.
Référez-vous à la page LISTE DES PIÈCES pour le numéro de pièce corrects.

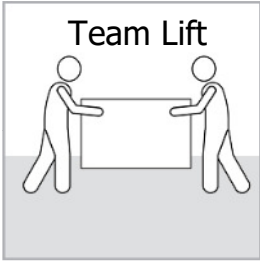


Have an assembly question or need a replacement part? Just call
1-800-950-4782, we are here to help.

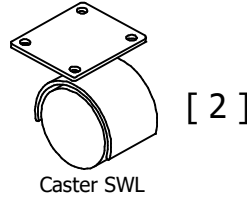
STEP 2

Install Casters

A179151H



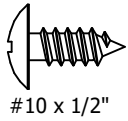
Z29794



[2]

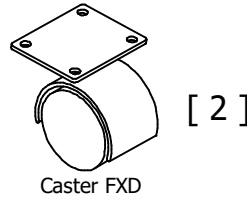
Swivel caster.
Rueda movable.
Roulette pivotante.

H35251



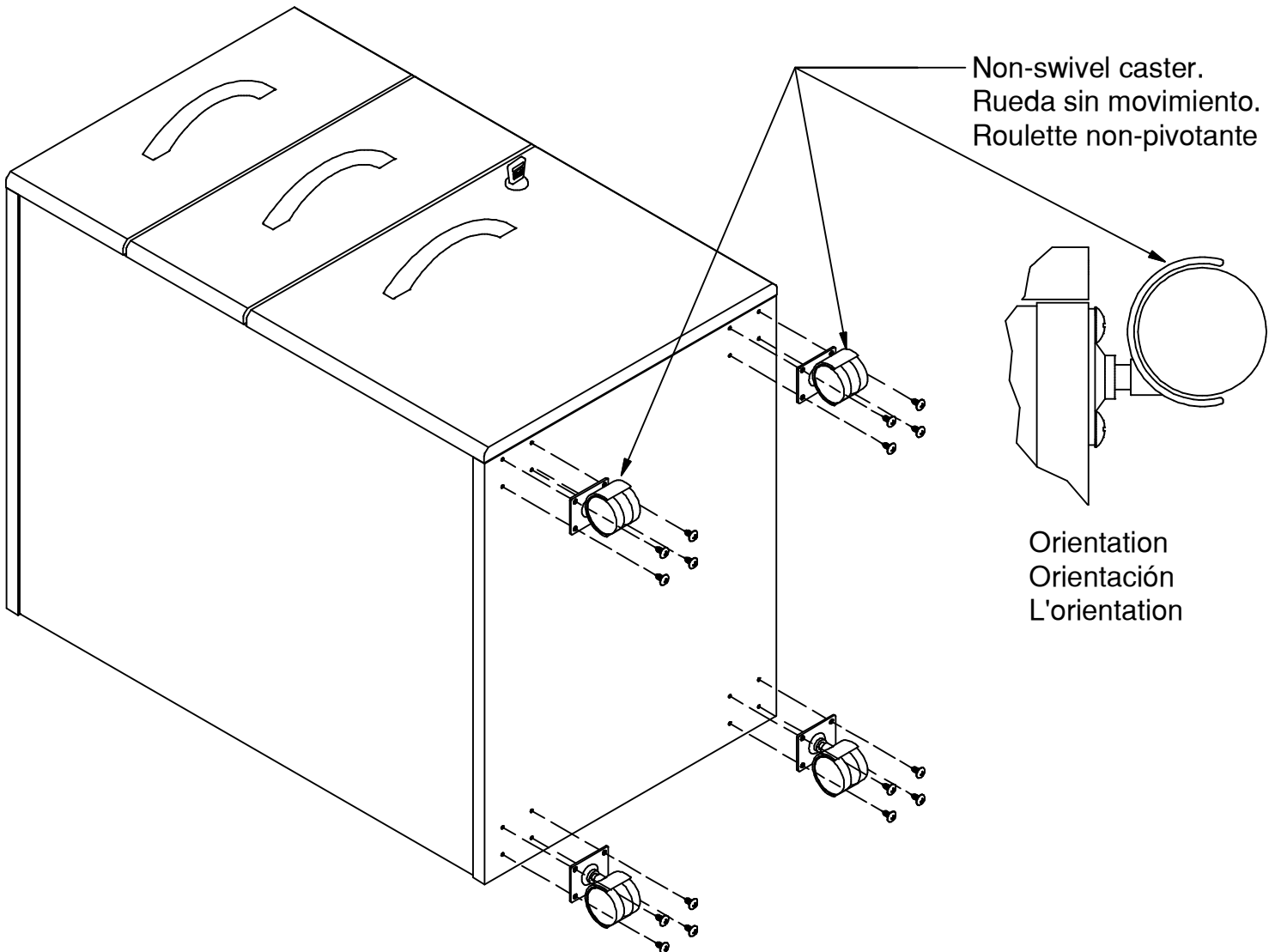
[16]

Z29795



[2]

Non-swivel caster.
Rueda sin movimiento.
Roulette non-pivotante.



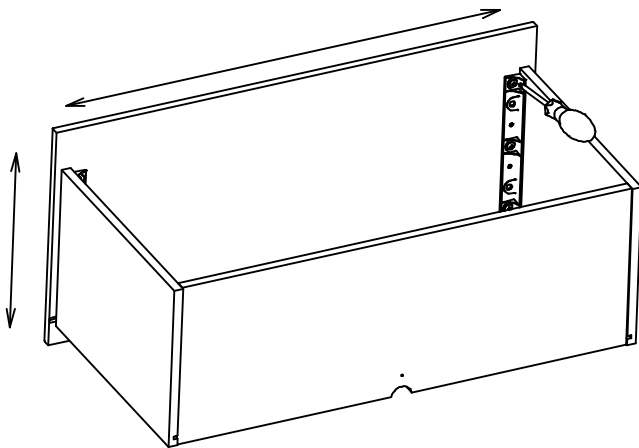
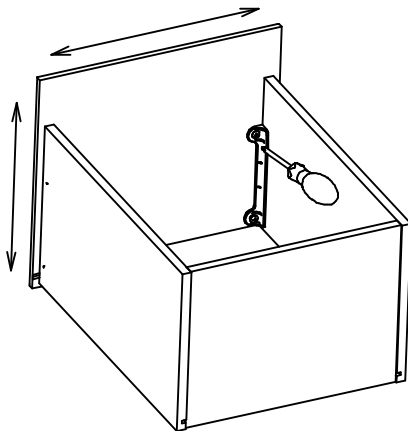
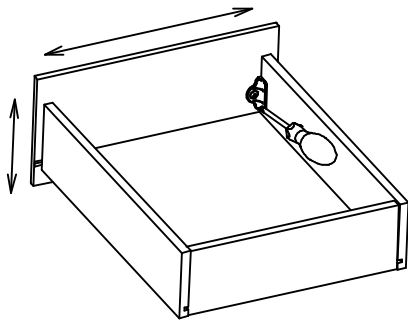
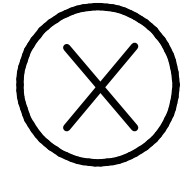
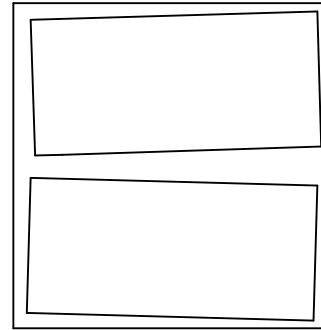
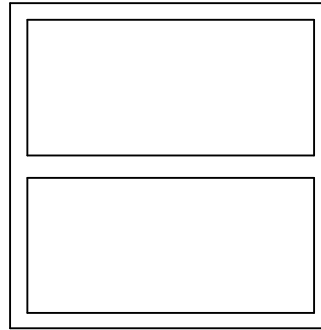
Have an assembly question or need a replacement part? Just call
1-800-950-4782, we are here to help.

Scan QR Code to Watch Video on:



How to Adjust Drawer Fronts

DRAWER FRONT VIEW



REQUIRED TOOL: PHILLIPS SCREWDRIVER

HERRAMIENTA REQUERIDA: DESTORNILLADOR PHILLIPS
 OUTIL REQUIS: TOURNEVIS CRUCIFORME



1. LOOSEN SCREWS.
2. ADJUST DRAWER FRONTS.
3. TIGHTEN SCREWS.

1. Afloje los tornillos
2. Ajustar frentes de cajón
3. Apriete los tornillos

1. Desserrer les vis
2. Ajuster les façades des tiroirs
3. Serrer les vis

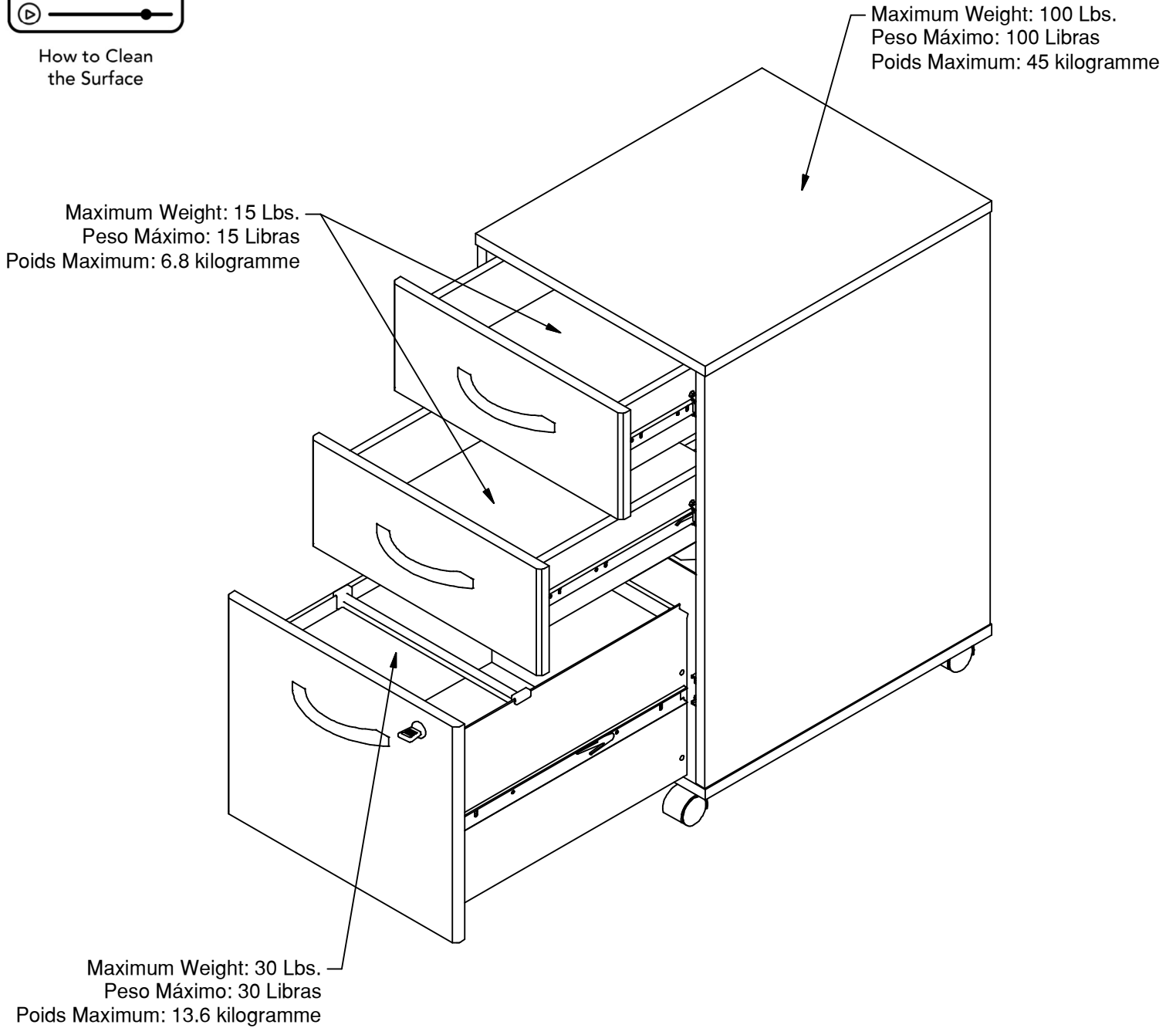
Have an assembly question or need a replacement part? Just call **1-800-950-4782**, we are here to help.

Scan QR Code to
Watch Video on:



How to Clean
the Surface

Gently clean surfaces with
a damp sponge eraser.

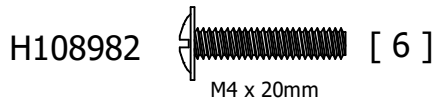
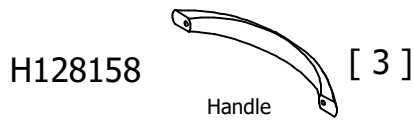


Congratulations! You are all done. If
you have any questions or concerns,
please call.

Have an assembly question or need a replacement part? Just call
1-800-950-4782, we are here to help.

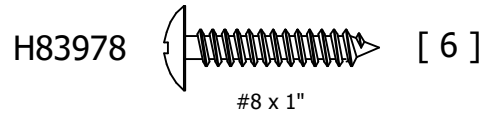
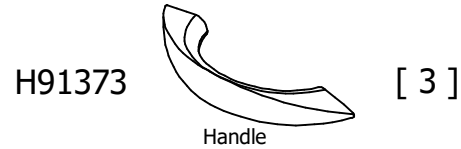
WC12953SU

- A [1] Case Assembly
- F [2] W128369
- G [1] W128195
- H [1] File Drawer Assembly
- I [2] Box Drawer Assembly



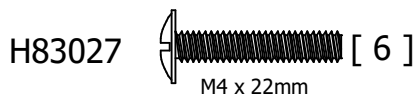
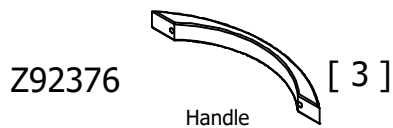
WC14553PSU

- A [1] Case Assembly
- F [2] W179052
- G [1] W179059
- H [1] File Drawer Assembly
- I [2] Box Drawer Assembly



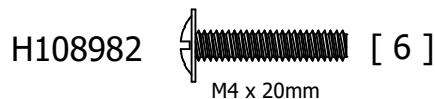
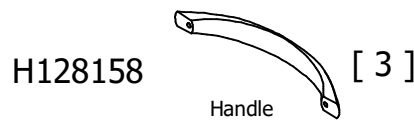
WC24453SU

- A [1] Case Assembly
- F [2] W122283
- G [1] W122286
- H [1] File Drawer Assembly
- I [2] Box Drawer Assembly



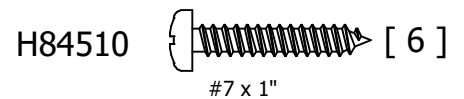
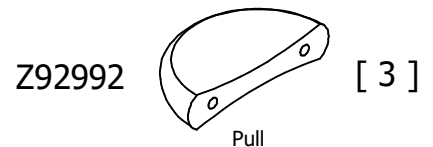
WC36753SU

- A [1] Case Assembly
- F [2] W128373
- G [1] W128204
- H [1] File Drawer Assembly
- I [2] Box Drawer Assembly



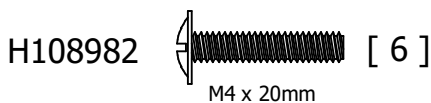
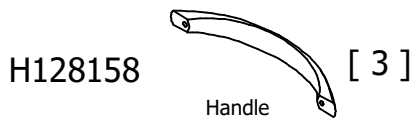
WC57453PSU

- A [1] Case Assembly
- F [2] W179054
- G [1] W179061
- H [1] File Drawer Assembly
- I [2] Box Drawer Assembly



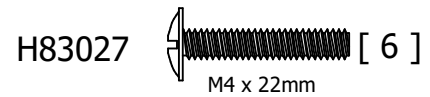
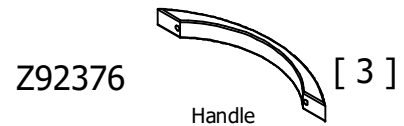
WC60353SU

- A [1] Case Assembly
- F [2] W128365
- G [1] W128213
- H [1] File Drawer Assembly
- I [2] Box Drawer Assembly



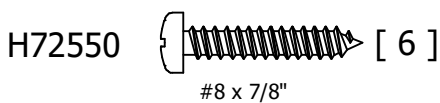
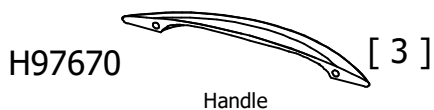
WC72453SU

- A [1] Case Assembly
- F [2] W122973
- G [1] W122972
- H [1] File Drawer Assembly
- I [2] Box Drawer Assembly



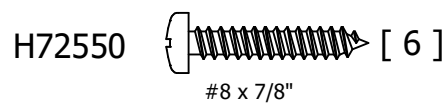
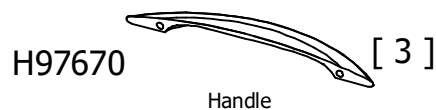
WC84853PSU

- A [1] Case Assembly
- F [2] W179056
- G [1] W179063
- H [1] File Drawer Assembly
- I [2] Box Drawer Assembly



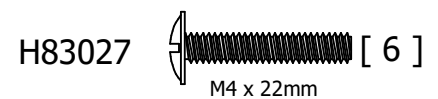
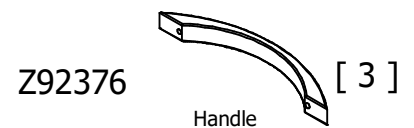
WC94453PSU

- A [1] Case Assembly
- F [2] W179057
- G [1] W179064
- H [1] Drawer Assembly
- I [2] Box Drawer Assembly



SCF216HCSU

- A [1] Case Assembly
- F [2] W122283
- G [1] W122286
- H [1] File Drawer Assembly
- I [2] Box Drawer Assembly



SCF216WHSU

- A [1] Case Assembly
- F [2] W191885
- G [1] W191886
- H [1] File Drawer Assembly
- I [2] Box Drawer Assembly

SCF216SGSU

- A [1] Case Assembly
- F [2] W189338
- G [1] W189332
- H [1] File Drawer Assembly
- I [2] Box Drawer Assembly

SCF216PGSU

- A [1] Case Assembly
- F [2] W191686
- G [1] W191680
- H [1] File Drawer Assembly
- I [2] Box Drawer Assembly

SCF216CSSU

- A [1] Case Assembly
- F [2] W189729
- G [1] W189728
- H [1] File Drawer Assembly
- I [2] Box Drawer Assembly

SCF216ACSU

- A [1] Case Assembly
- F [2] W189774
- G [1] W189773
- H [1] File Drawer Assembly
- I [2] Box Drawer Assembly

SCF216SOSU

- A [1] Case Assembly
- F [2] W192851
- G [1] W192850
- H [1] File Drawer Assembly
- I [2] Box Drawer Assembly

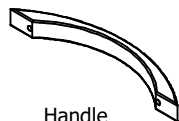
SCF216BWSU

- A [1] Case Assembly
- F [2] W205484
- G [1] W205471
- H [1] File Drawer Assembly
- I [2] Box Drawer Assembly

SCF216MHSU

- A [1] Case Assembly
- F [2] W205485
- G [1] W205478
- H [1] File Drawer Assembly
- I [2] Box Drawer Assembly

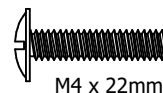
H184439



Handle

[3]

H83027



M4 x 22mm

[6]

Handle and screw are used on Models listed above.

Have an assembly question or need a replacement part? Just call
1-800-950-4782, we are here to help.

Scan QR Code to
Watch Video on:



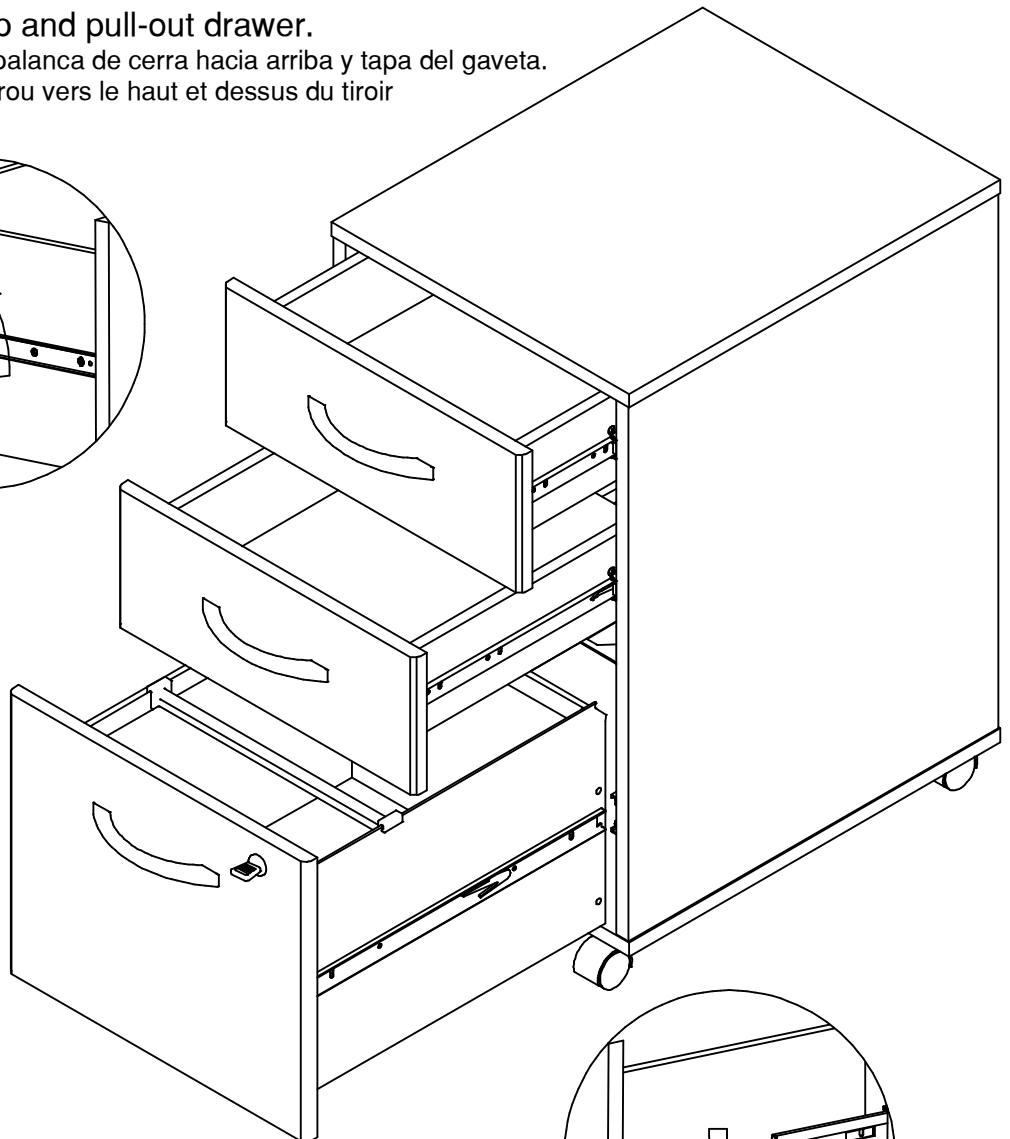
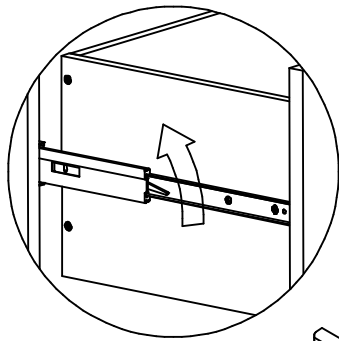
How to Separate
and Install Drawer
Slides

Drawer Removal (if required)
Quitado de Gaveta (si es necesario)
retrait du tiroir (si necessaire)

Lock Lever (Left)
Palanca de Cerradura (Izquierdo)
Levier d'arrêt (Gauche)

For left side push lock lever up and pull-out drawer.

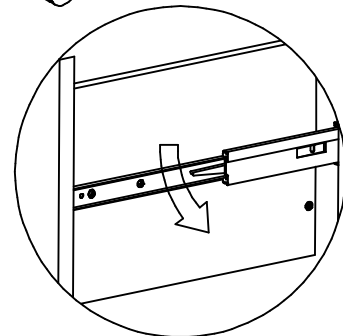
Para deslizable izquierdo, empuje la palanca de cerra hacia arriba y tapa del gaveta.
Pour la coulisse gauche placez le verrou vers le haut et dessus du tiroir



Lock Lever (Right)
Palanca de Cerradura (Derecho)
Levier d'arrêt (Droit)

For right side push lock lever down and pull-out drawer.

Para deslizable derecho, empuje la palanca de cerrar hacia abajo y tapa del gaveta.
Pour la coulisse droite placez le verrou vers le bas et dessus du tiroir



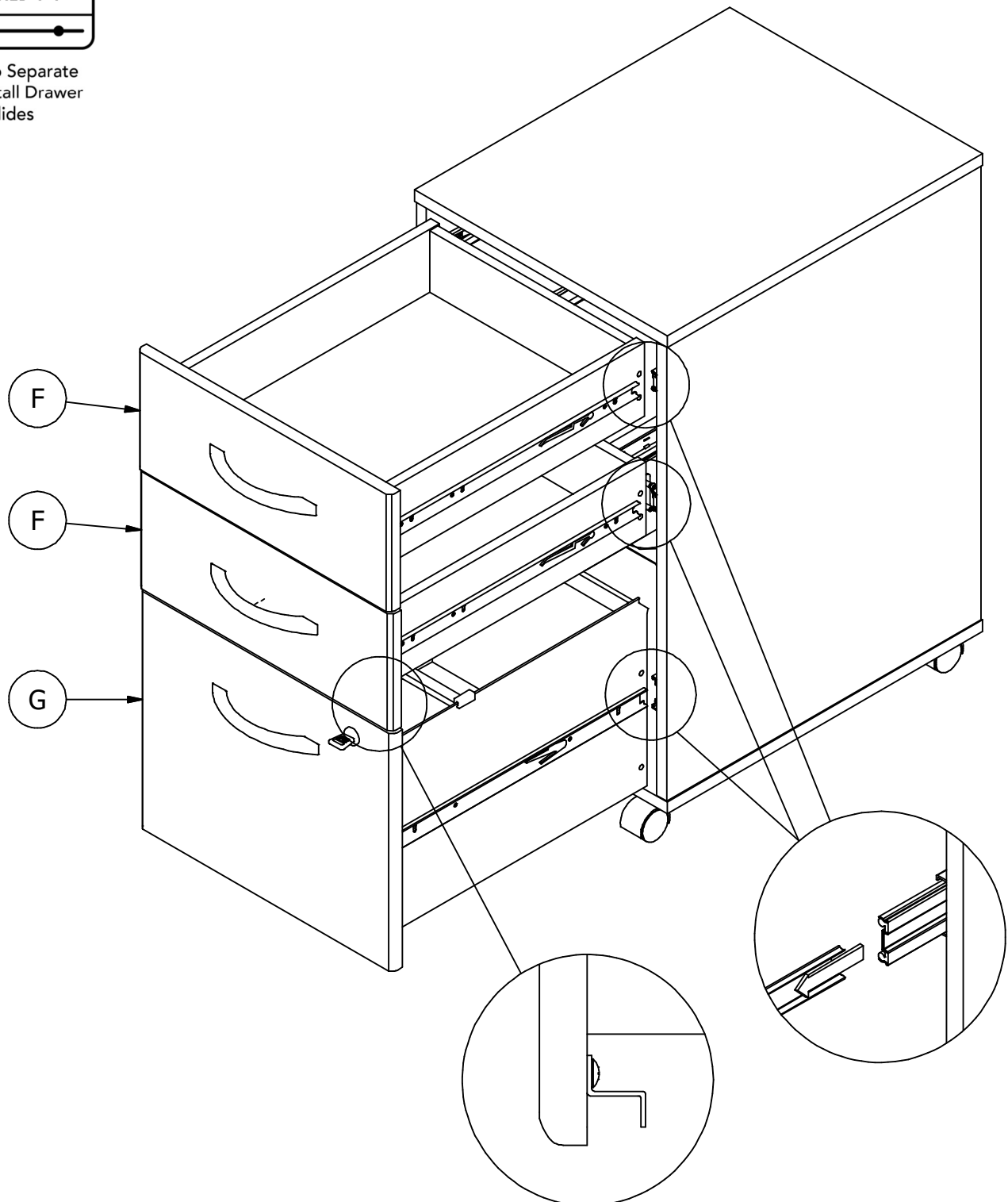
Have an assembly question or need a replacement part? Just call
1-800-950-4782, we are here to help.

Scan QR Code to
Watch Video on:



How to Separate
and Install Drawer
Slides

Drawer Installation (if required)
Instalacion de la Gaveta (si es necesario)
Installation du tiroir (si necessaire)



Have an assembly question or need a replacement part? Just call
1-800-950-4782, we are here to help.