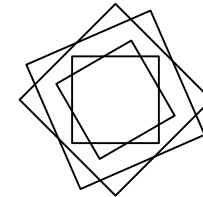
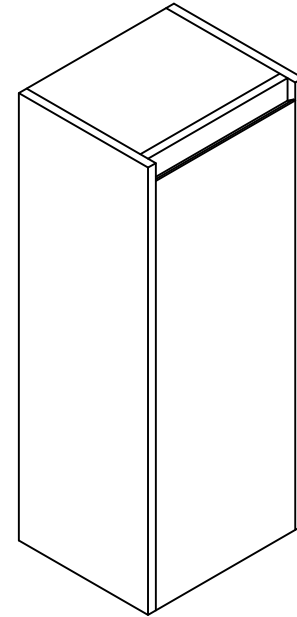


THANKS FOR WATCHING

Your feedback is invaluable to us and we would love to hear about your experience. Please take the time to leave us a review.



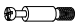






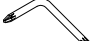


Thank you for shopping with us!

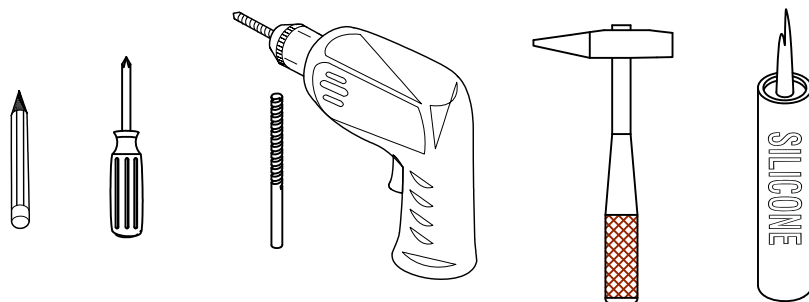
We encourage you to take a few minutes to go through this booklet. It contains important information on installation and care tips to keep your furniture looking as good as new.

Item NO.:SC 00112

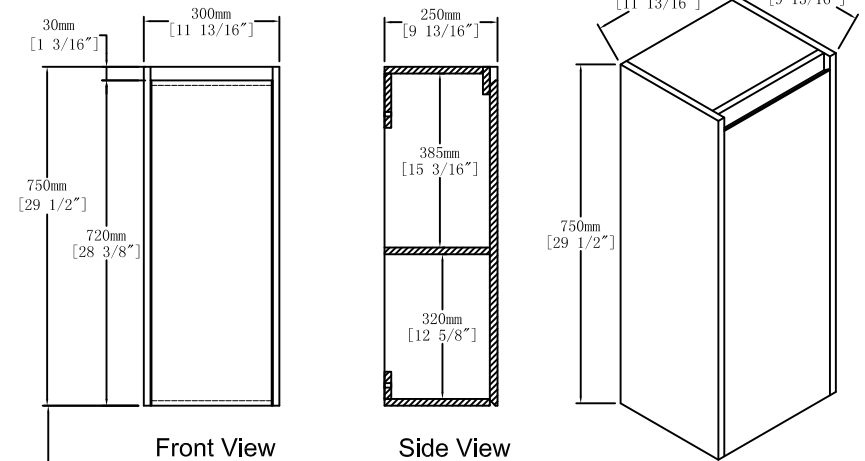
Hardware

NO.	Draw	QTY	NO.	Draw	QTY
A	 Screws Ø4 x 14 mm	12	F	 Hinges (Internal hiding)	2
B	 Two-in-one connector	25	G	 Screws for fix on the wall	2
C	 Two-in-one connector	25	H	 Wall hanging screw decorative cover	2
D	 Wood plug	10	I	 Anti-collision gasket	2
E	 Plastic anchor(Ø10mm)	2	J	 Screwdriver	1

Recommended tools



Dimensions



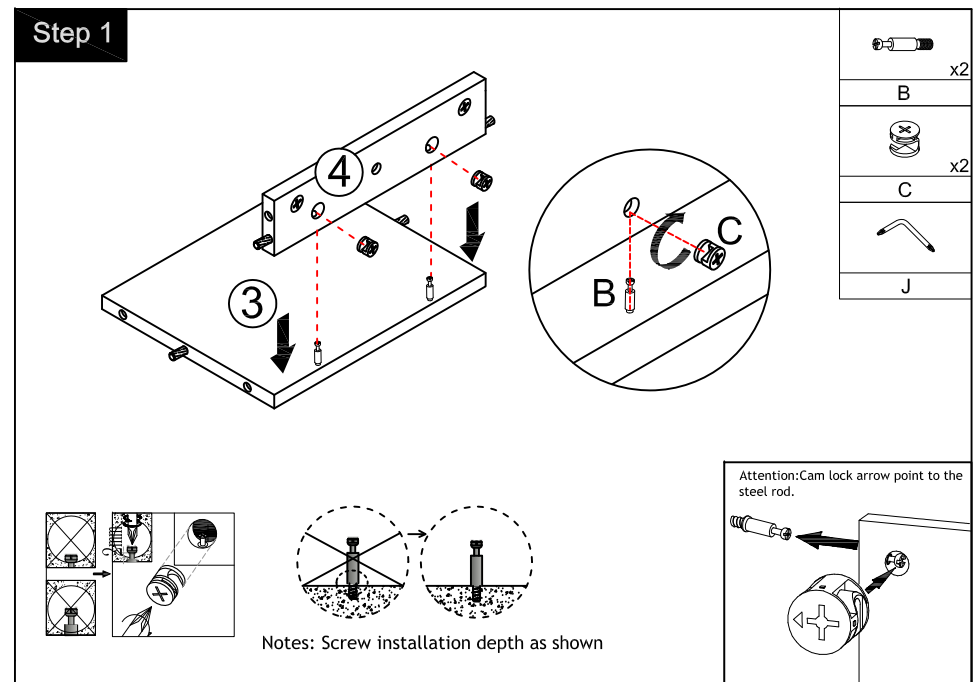
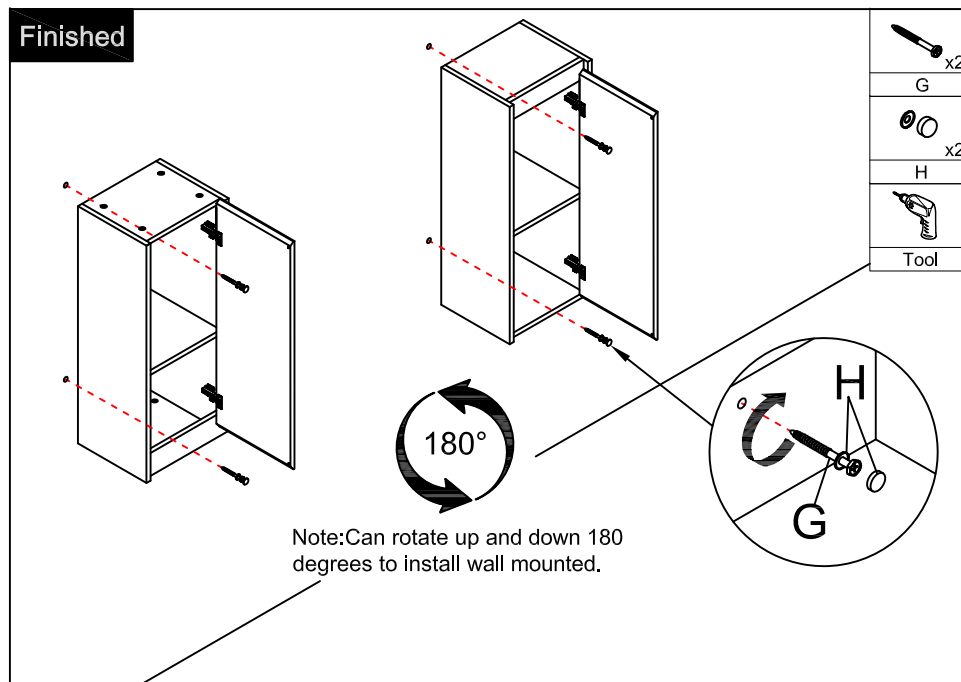
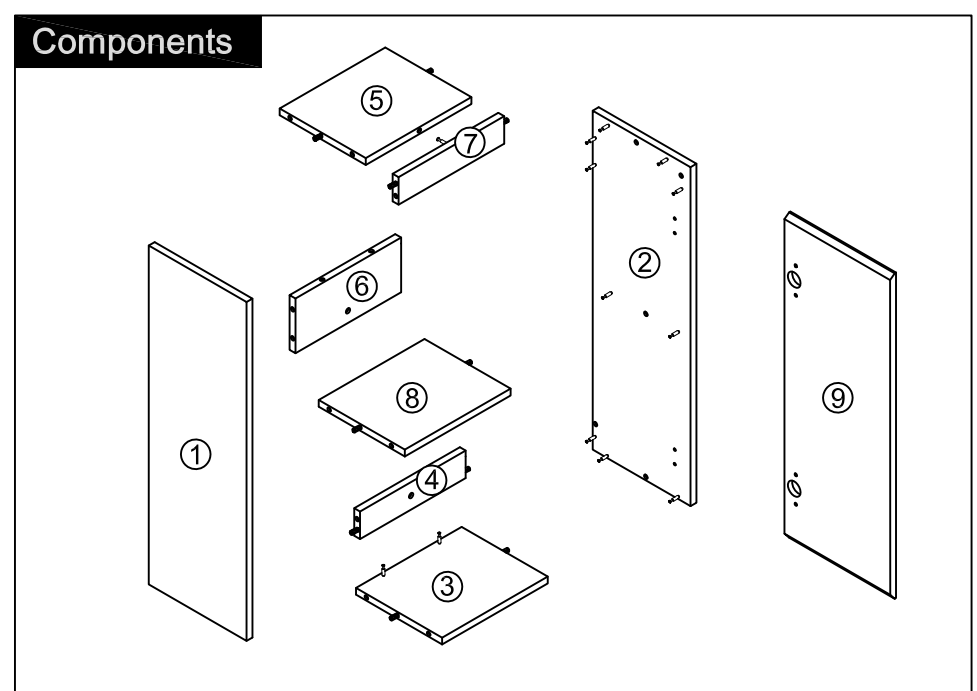
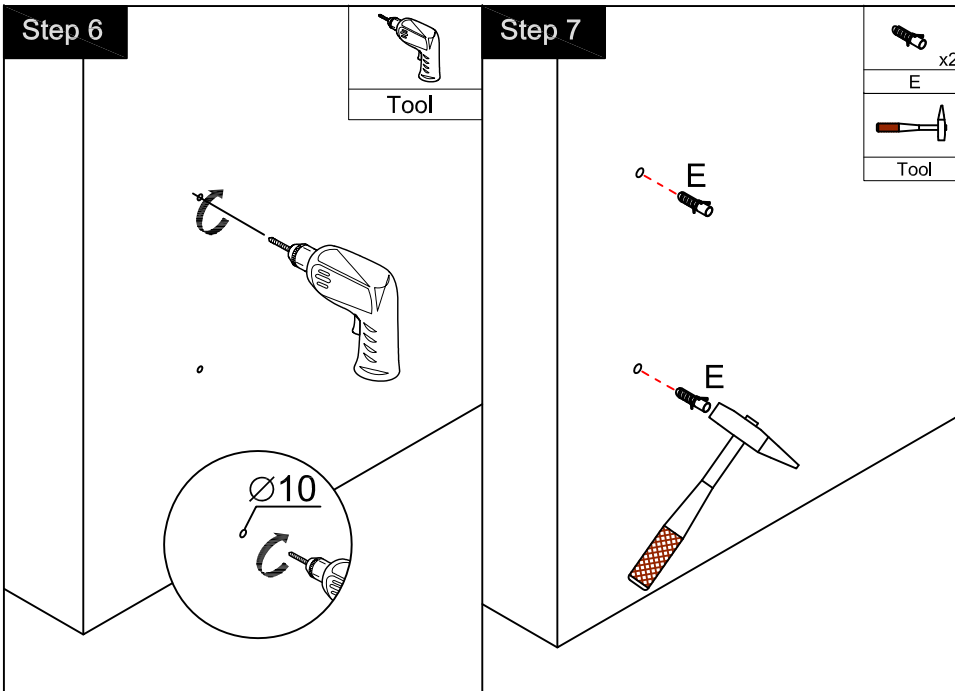
Note: The installation direction of the side cabinet can be adjusted according to your own needs.

1190mm [46 7/8"]
The installation height can be adjusted according to personal needs

Floor

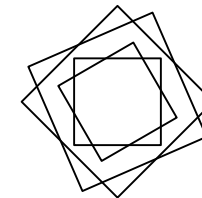
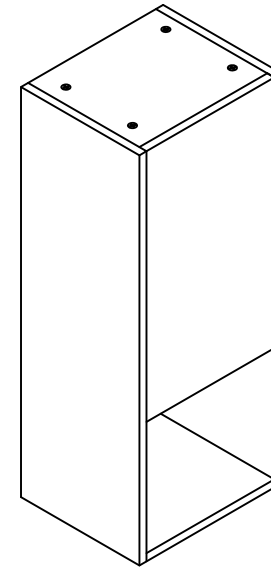
CARE CLEANING AND MAINTENANCE

1. Dust regularly with a soft, dry cloth.
2. Avoid the use of all chemicals household cleaners, abrasives, or cleaners that contain lemon, vinegar, or other acids that may damage the finish.
3. Excessive exposure to sunlight and extreme changes in temperature and moisture can damage wood furniture.
4. Do not place hot appliances, such as curling irons and hot hair dryers directly on the countertop. Wipe spills immediately.



THANKS FOR WATCHING

Your feedback is invaluable to us and we would love to hear about your experience. Please take the time to leave us a review.



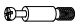









Thank you for shopping with us!

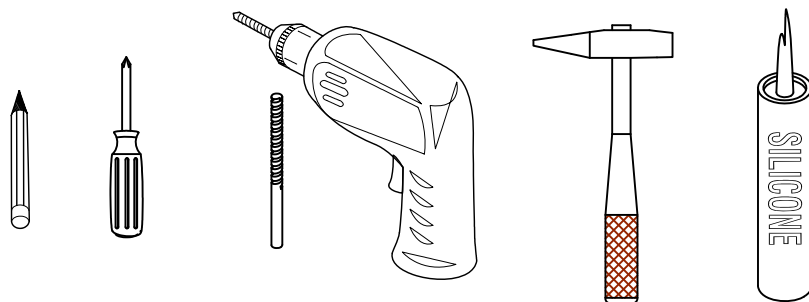
We encourage you to take a few minutes to go through this booklet. It contains important information on installation and care tips to keep your furniture looking as good as new.

Item NO.:SC 00212

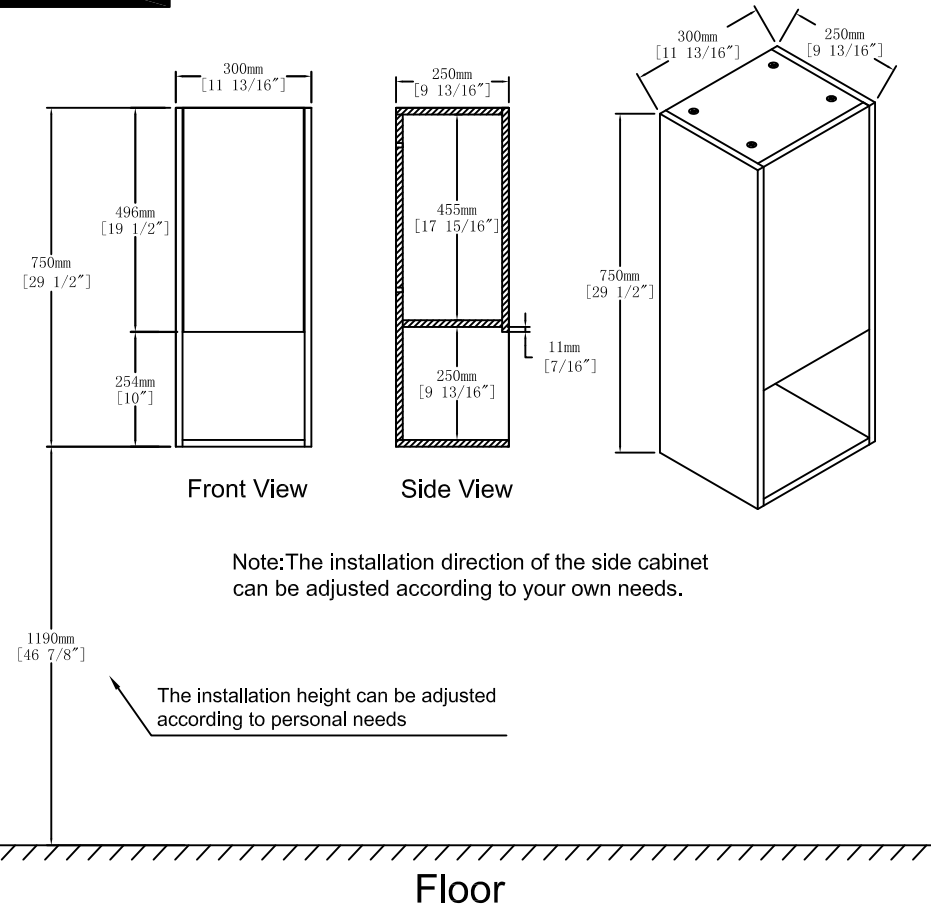
Hardware

NO.	Draw	QTY	NO.	Draw	QTY
A	 Screws Ø4 x 14 mm	12	F	 Hinges (Internal hiding)	2
B	 Two-in-one connector	21	G	 Screws for fix on the wall	2
C	 Two-in-one connector	21	H	 Wall hanging screw decorative cover	2
D	 Wood plug	6	I	 Anti-collision gasket	2
E	 Plastic anchor(Ø10mm)	2	J	 Screwdriver	1

Recommended tools

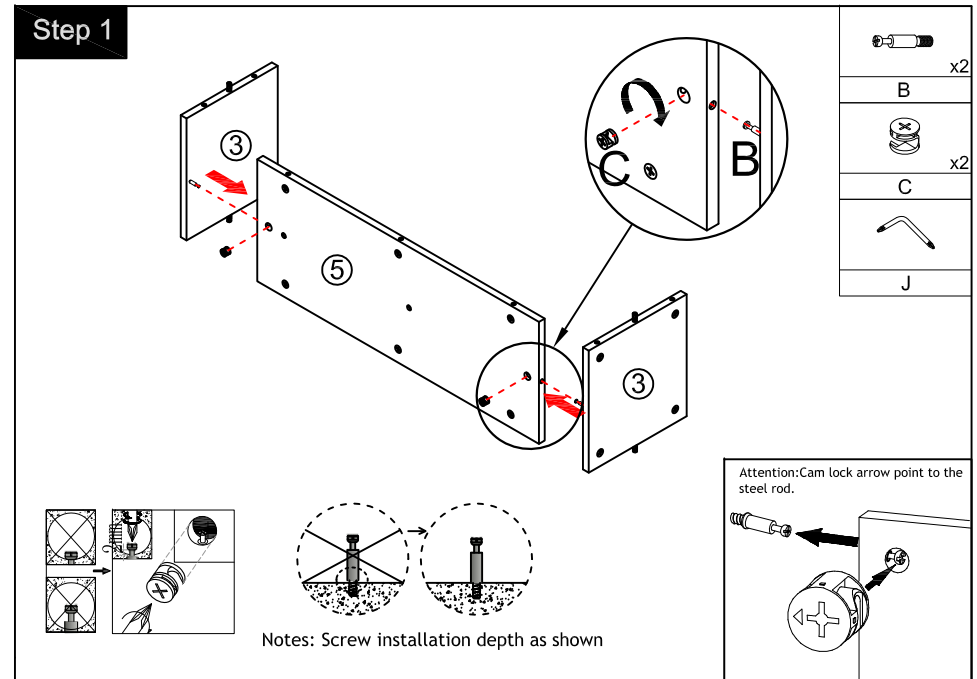
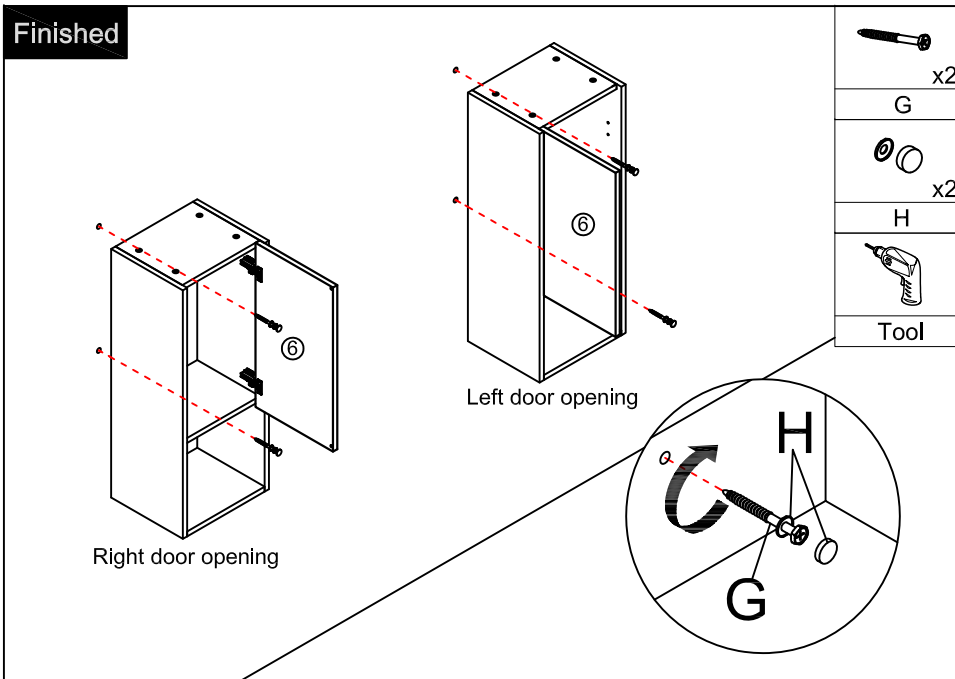
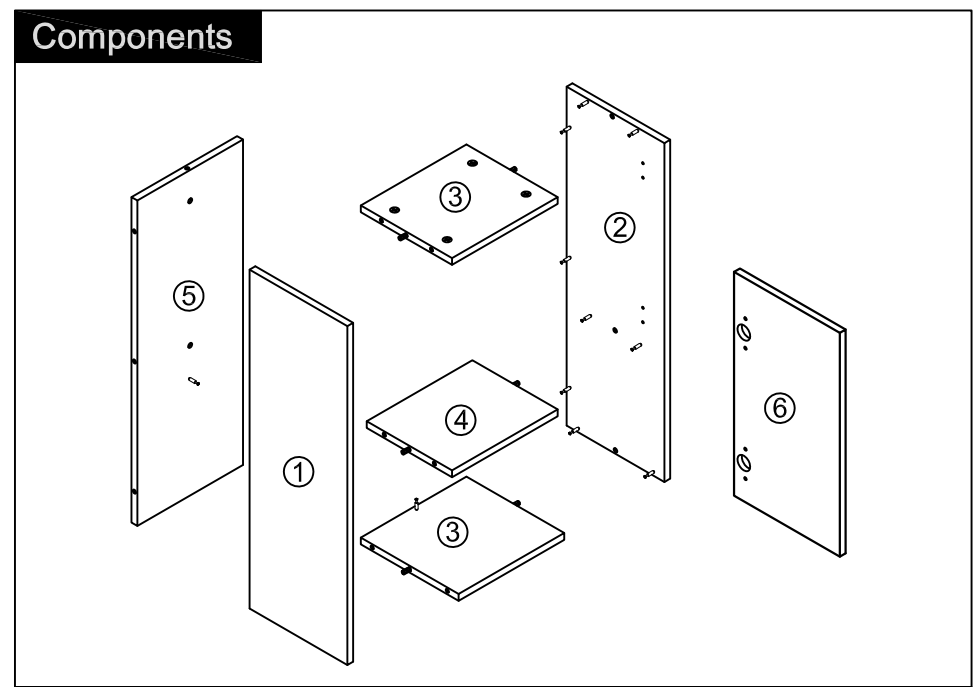
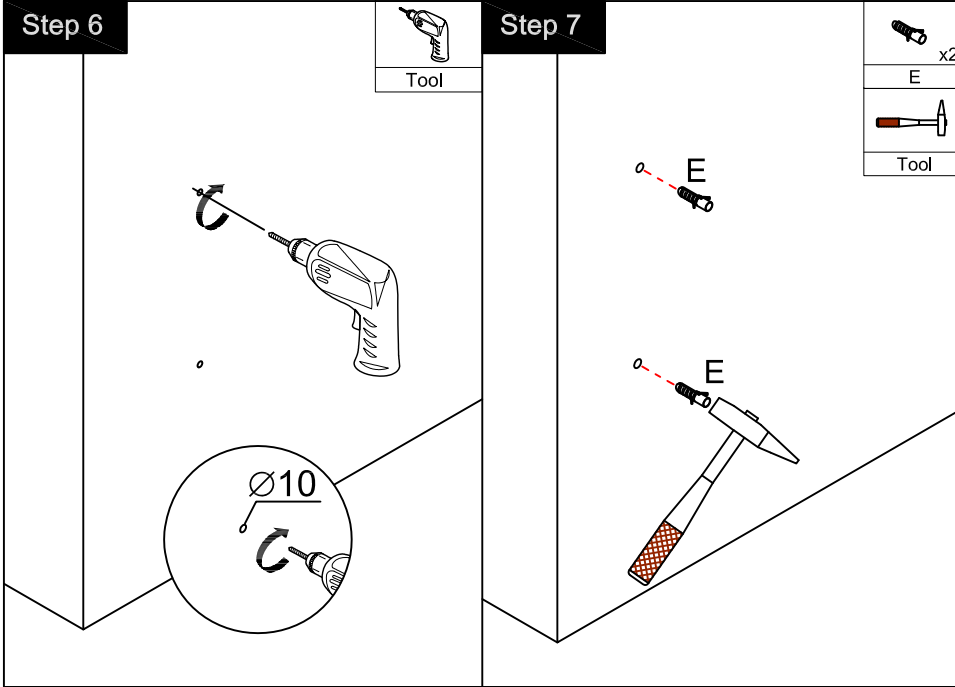


Dimensions

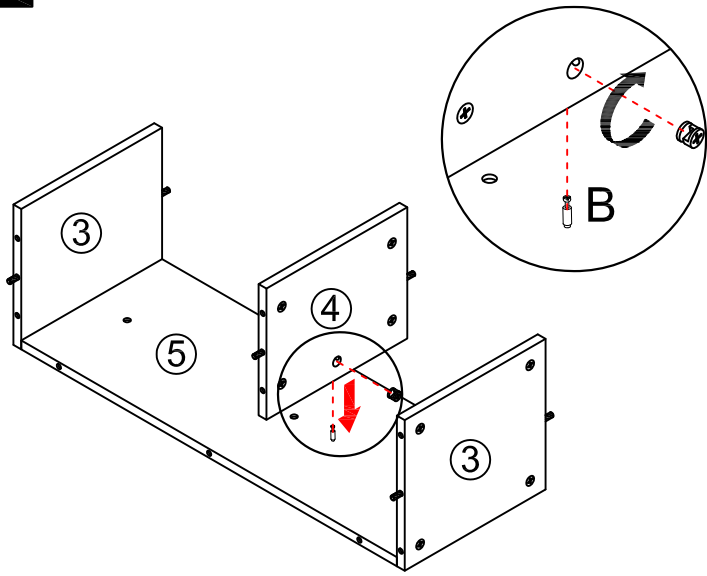


CARE CLEANING AND MAINTENANCE

1. Dust regularly with a soft , dry cloth.
2. Avoid the use of all chemicals household cleaners, abrasives, or cleaners that contain lemon, vinegar, or other acids that may damage the finish.
3. Excessive exposure to sunlight and extreme changes in temperature and moisture can damage wood furniture.
4. Do not place hot appliances, such as curling irons and hot hair dryers directly on the countertop. Wipe spills immediately.



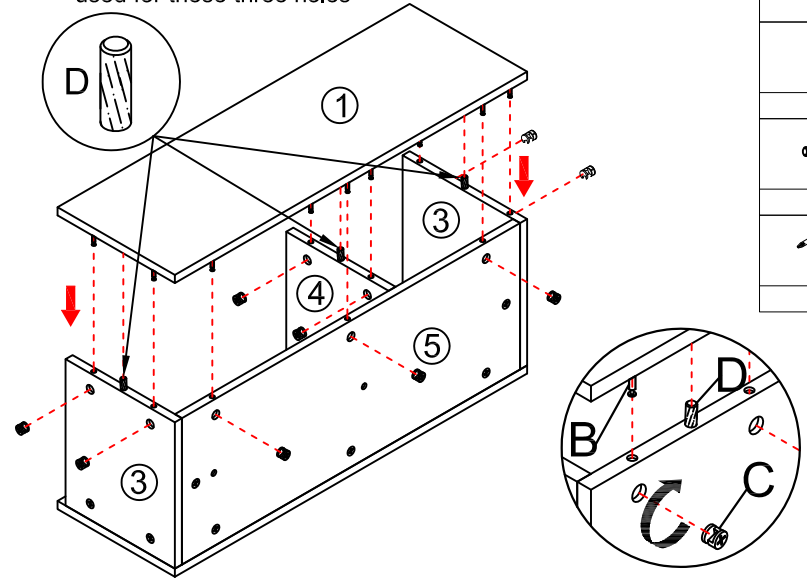
Step 2



	x1
B	
	x1
C	
J	

Step 4

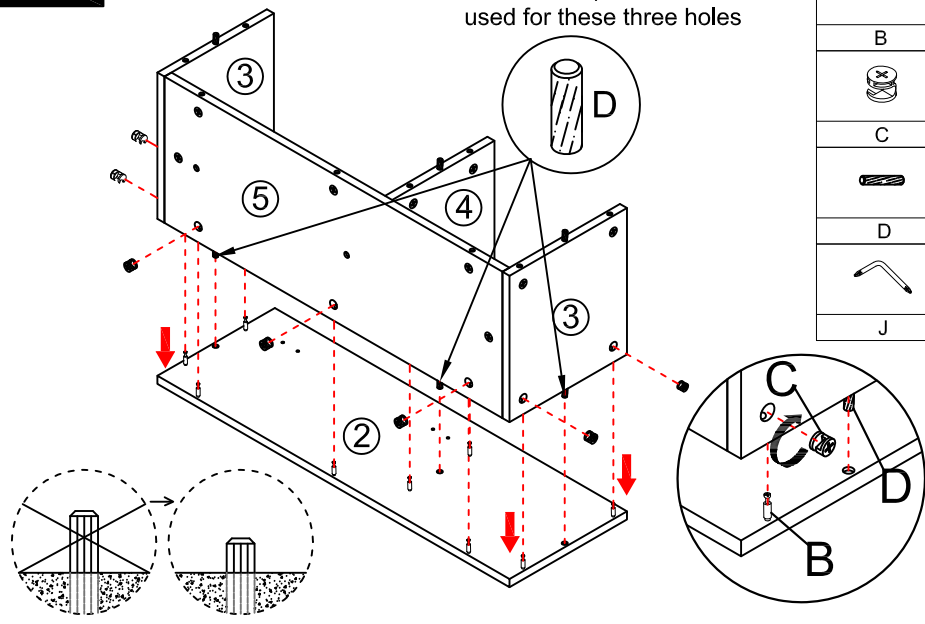
Note: The D parts are used for these three holes



	x9
B	
	x9
C	
	x3
D	
J	

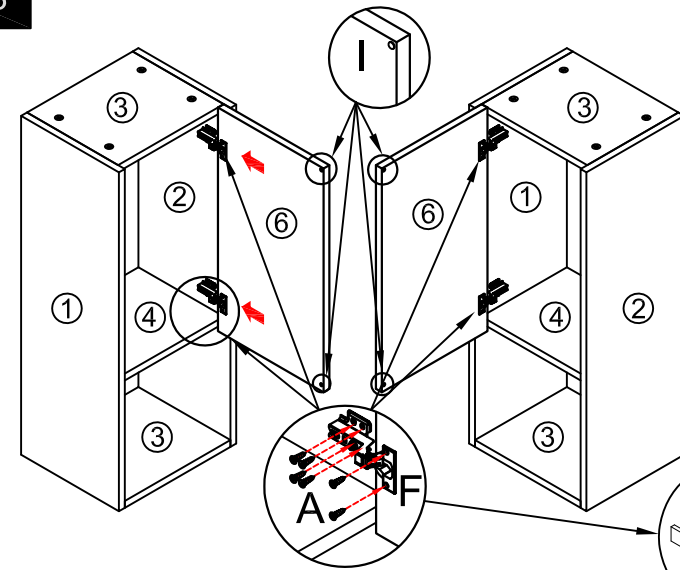
Step 3

Note: The D parts are used for these three holes



	x9
B	
	x9
C	
	x3
D	
J	

Step 5



	Ø4 x 14mm
A	x12
	x2
F	
	x2
I	
Tool	

Note: The opening direction of the door panel can be installed as left or right according to one's own needs.