

INSTALLATION AND SAFETY INSTRUCTIONS FOR HANGING FIXTURES

WARNING: BE SURE THE ELECTRICITY TO THE WIRES YOU ARE WORKING ON IS SHUT OFF; EITHER THE FUSE IS REMOVED OR THE CIRCUIT BREAKER IS SET AT OFF.

GENERAL: You don't need special tools to install this fixture. Be sure to follow the steps in the order given. Under no circumstances should a fixture be hung on house electrical wires, nor should a swag type fixture be installed on a ceiling which contains a radiant type heating system.

READ ALL INSTRUCTIONS: All wiring must meet national and local electrical codes. If you are unsure of the electrical codes or unclear about any steps, have a qualified electrician install this fixture.

INSTALLATION: FIGURE 1

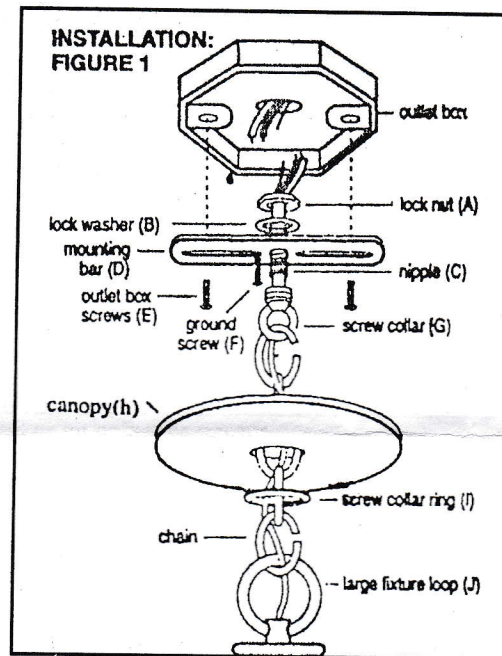
IMPORTANT: DO NOT ATTACH FIXTURE DIRECTLY TO OUTLET BOX.

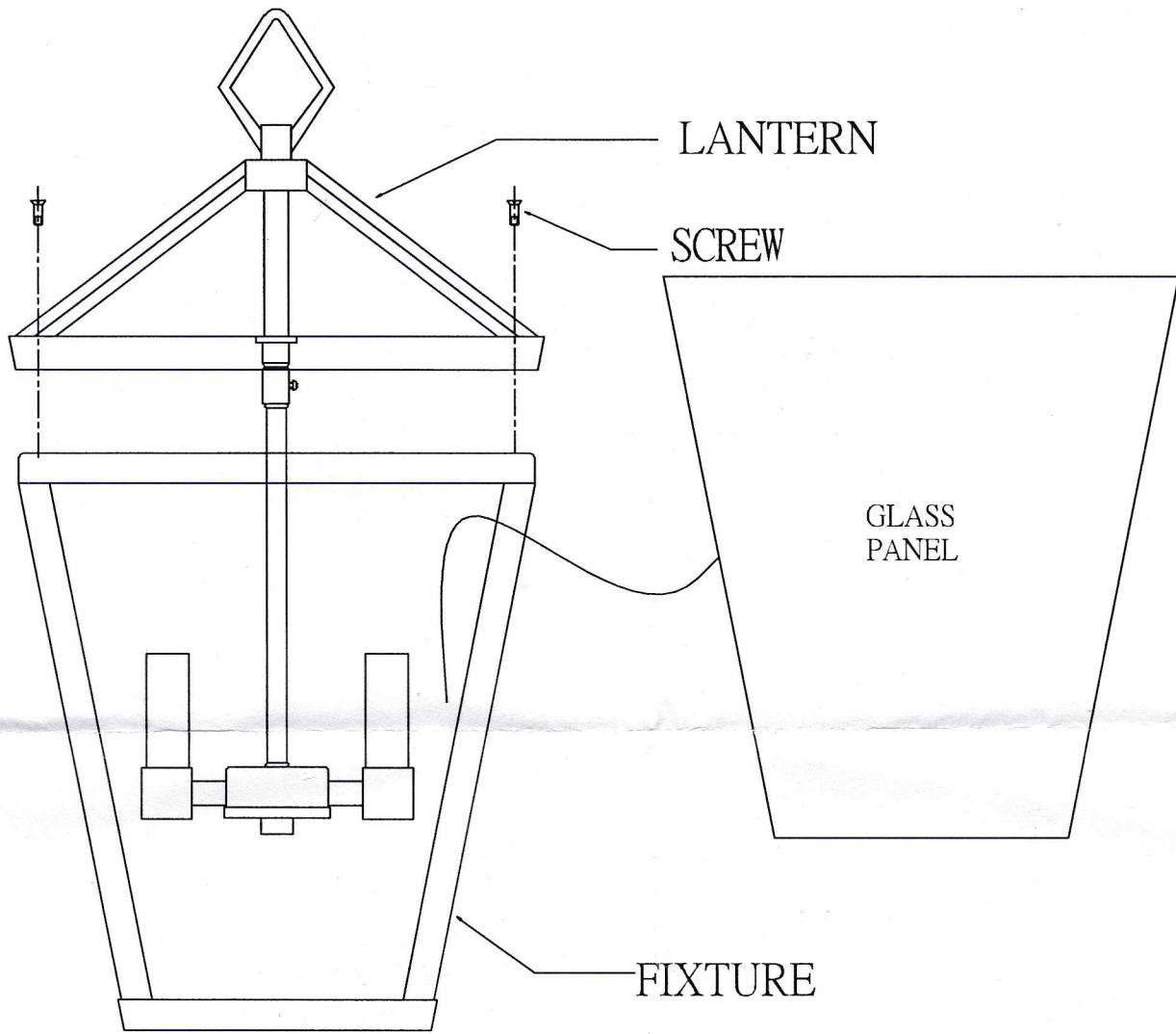
- 1.) Secure mounting bar (D) to outlet box with outlet box screws (E)
Thread nipple (C) into mounting bar (D) and secure with lock washer (B) and lock nut (A). Do not thread nipple less than three turns. Attach screw collar (G) to nipple (C).
- 2.) Using two pair of pliers, open one link of chain and connect it to the fixture loop (J) at the top of the fixture.
- 3.) Slide the screw collar ring (I) and canopy (H), in that order, over chain. Open the other end of the chain link and attach it to the screw collar (G), which has been mounted to the ceiling nipple. Be sure to close all chain links completely.
- 4.) Lace fixture wires up through the chain and pass wires through the hole in screw collar. (G)
- 5.) Take note of the color of the wire(s) on your fixture. Identify which group your fixture wire(s) fall into and connect the wires according to the directions below:

Group A : Connect to Black House Wire	Group B : Connect to White House Wire
Black	White
* Parallel Wire (round & smooth)	* Parallel Wire (square & ridged)
White or Grey with tracer	White or Grey without tracer
Brown, Gold or Black without tracer	Brown, Gold or Black with tracer

*NOTE: When parallel wire is used (clear gold wire), the tracer wire is square shaped or ridged and the less tracer wire is round in shape or smooth. (Seen best when viewed from wire end.) To separate wires, grasp the ends of each wire and pull apart.

- 6.) Take your fixture wire(s) from **Group A** and place evenly against the black wire from the outlet box and twist together the bare parts of the metal.
- 7.) Fit a wire connector (not supplied) over the twisted wires and screw the connector clockwise until you feel a firmness.
- 8.) Try gently to pull the connector off the wires. If you can pull the connector off, carefully re-do steps 6 and 7, as above, and check again for a firm connection.
- 9.) Connect the fixture wire from **Group B** to the white wire from the outlet box in the same manner.
- 10.) **GROUNDING INSTRUCTIONS:** The green grounding screw (F) is to be inserted into the hole with two raised dimples provided on the mounting bar (D). Wrap the ground wire from the fixture and the ground wire from the outlet box (bare metal or green insulated wire) around the green grounding screw on the mounting bar. If an uninsulated wire is supplied on the mounting bar instead of the green grounding screw, connect the ground wire from the fixture and the outlet box to it using a small wire connector (not supplied).
NEVER CONNECT GROUND WIRE TO BLACK OR WHITE POWER SUPPLY WIRES.
- 11.) After wires are connected, tuck them carefully inside the outlet box and raise the canopy (H) against ceiling and screw collar ring (I) to the screw collar (G).
- 12.) Install candle covers.
- 13.) Install lamps. **DO NOT EXCEED THE MAXIMUM WATTAGE SPECIFIED.**





2534-PBZ / 2534-PBK