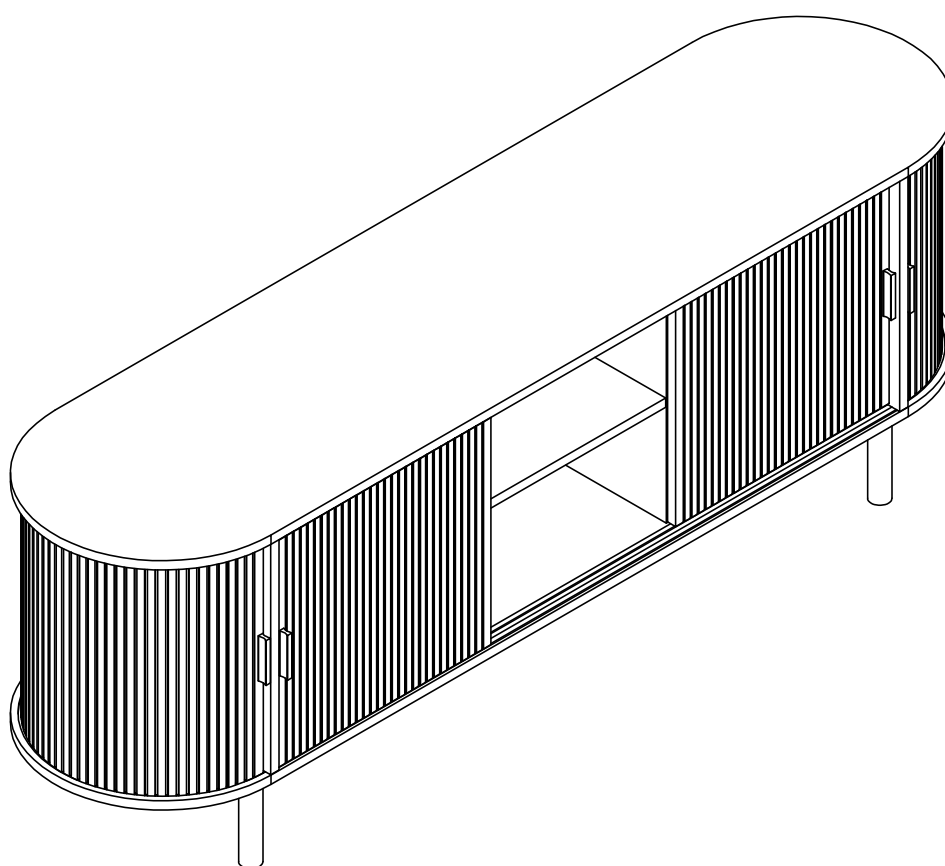


Installation Instruction



Assembling

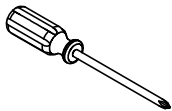
Estimated time for assembly



45 : 00

What you need

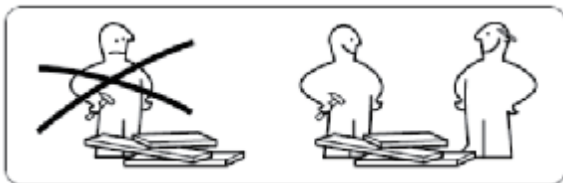
- Use the packaging carton as a working surface to prevent product damage during assembly
- Phillips head screwdriver



Weight Limitation



100 | **35**
lbs table top lbs per

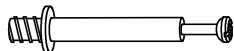


What' included

Code	Description	Qty
A	Cam Bolt M6X35MM	12
B	Cam Lock 15X12MM	12
C	Wooden Dowel M8X30MM	20
D	Screw M4X40MM	10
E	Screw M3.5X14MM	4
F	Metal shake handhandle	4
G	Cam Bolt M4X8MM	4
H	Screw M3.0X14MM	16
I	Cam Bolt M4X18MM	4
J	The back button	8
K	Adjustable Leveler	1
L	Screw M6X60MM	4
M	Screw M6X40MM	10
N	Wrench M4X55MM	1
O	Hole position sticker	12
P	The bolt	4
Q	Guide wheel	4

The Hardwares

A



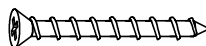
B



C



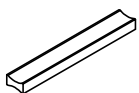
D



E



F



G



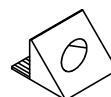
H



I



J



K



L



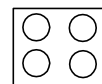
M



N



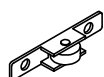
O



P



Q



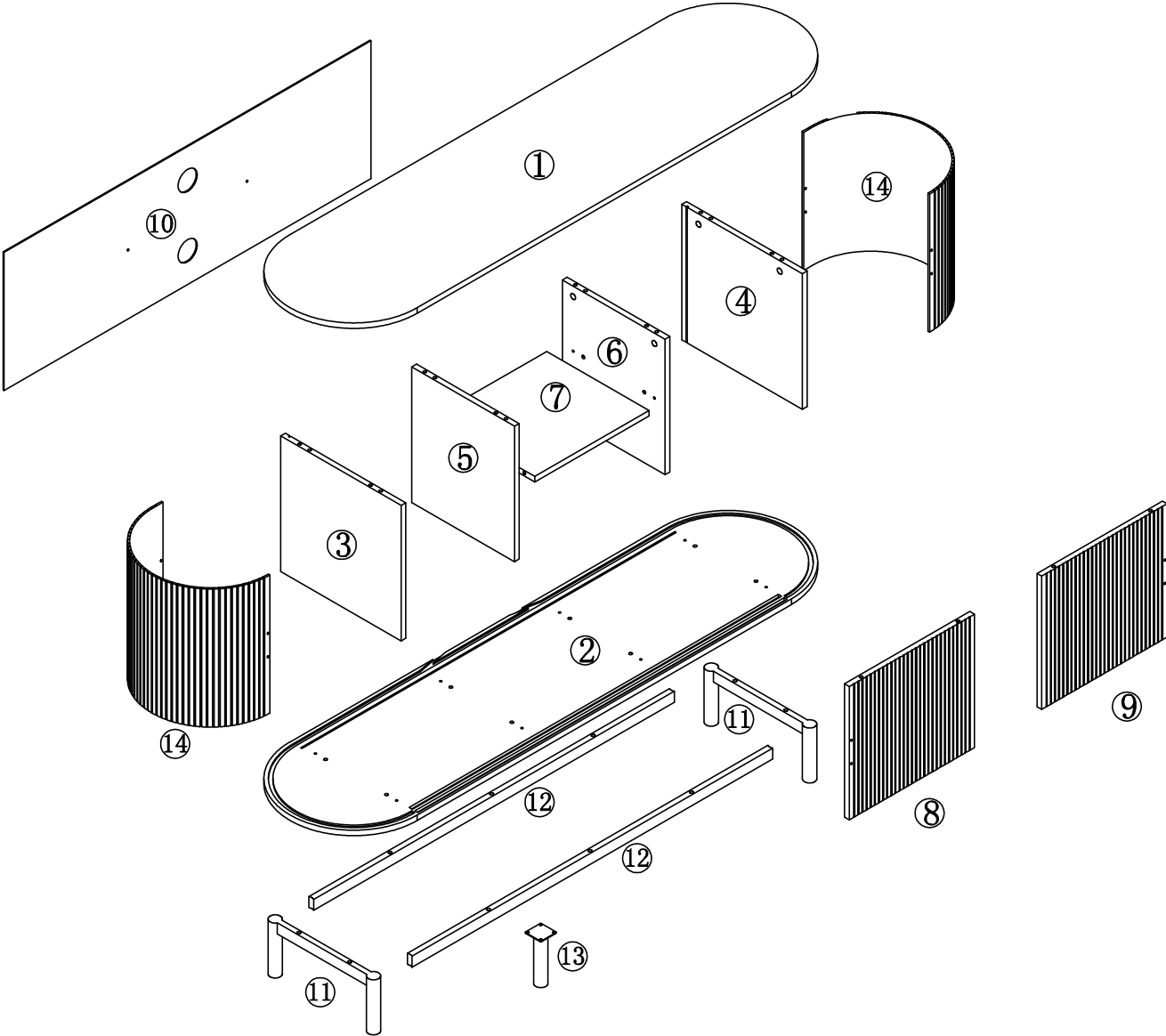
IMPORTANT:

1. Do not tighten bolts / screws completely until all bolts / screws are lined up and inserted into holes.
2. Do not over tighten screws and bolts to avoid stripping
3. Please use hand tools to assemble this product. Do not use power tools.

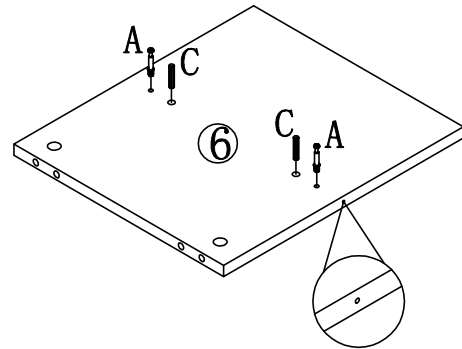
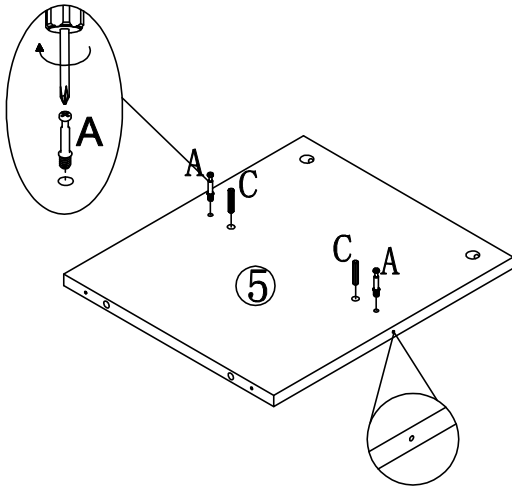
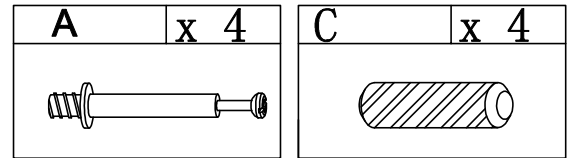
Included Accessories

Code	Description	Qty
1	Cabinet Top	1
2	Bottom Panel	1
3	Left Side Panel	1
4	Right Side Panel	1
5	Left median plate	1
6	Right center plate	1
7	Laminate	1
8	Left door panel	1
9	Right door panel	1
10	Backboard	1
11	Side frame	2
12	Cross bar	2
13	Supporting leg	1
14	Coaming panel	2

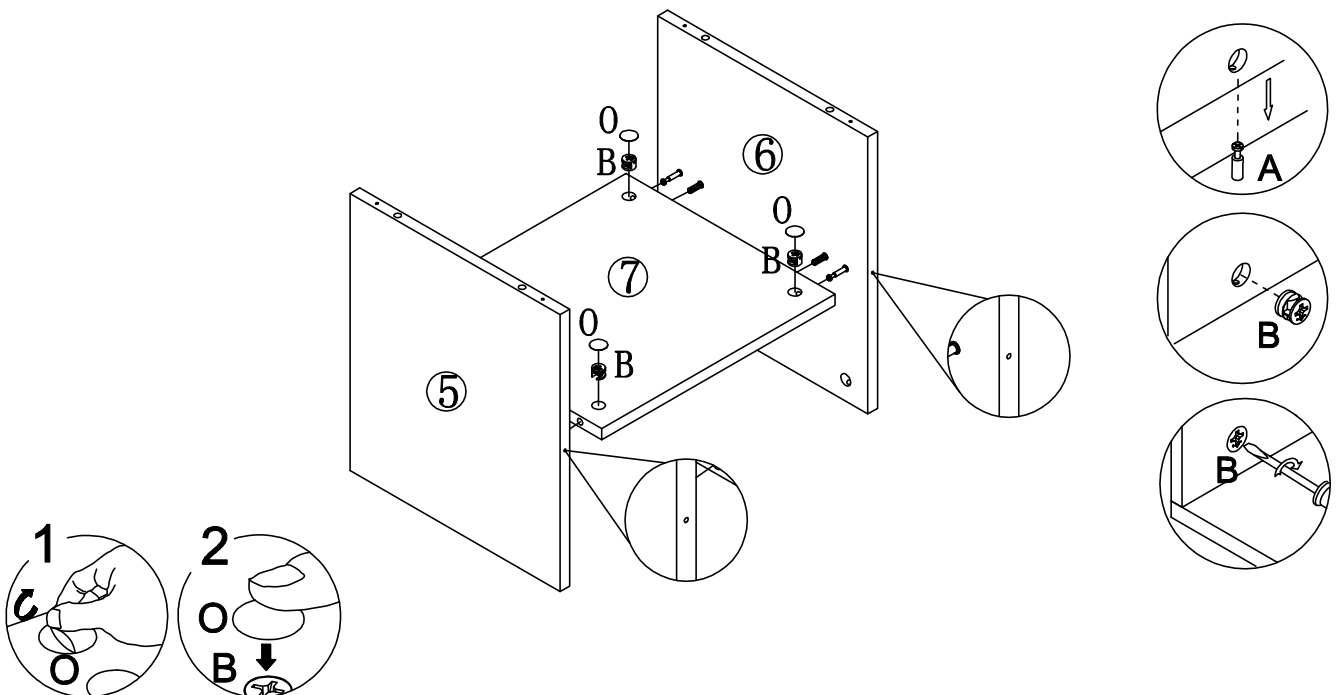
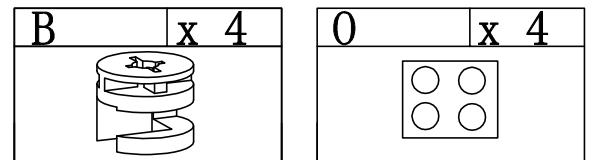
The Accessoriess



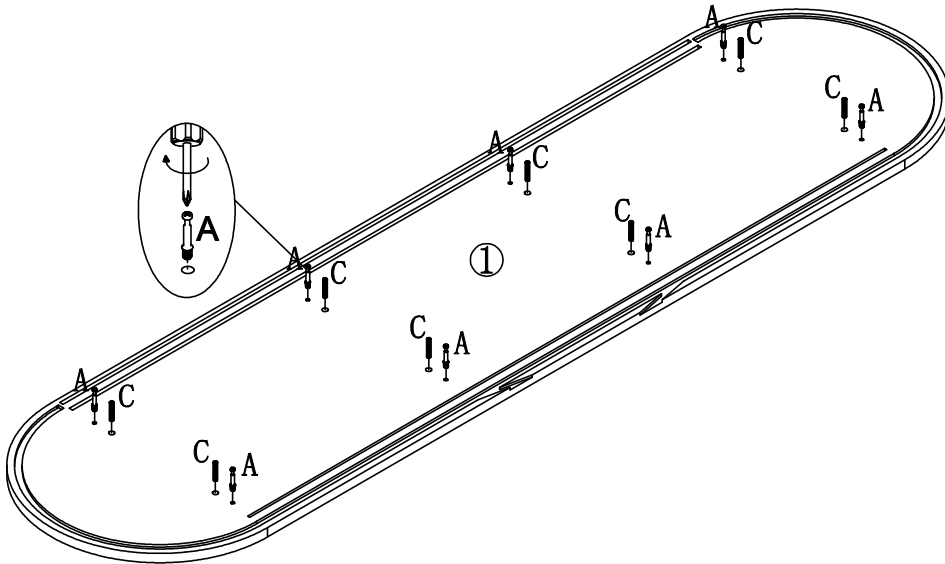
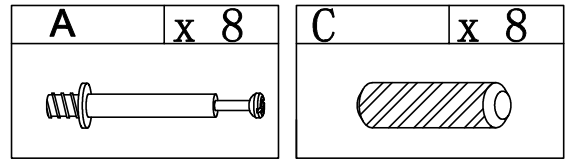
Step 1



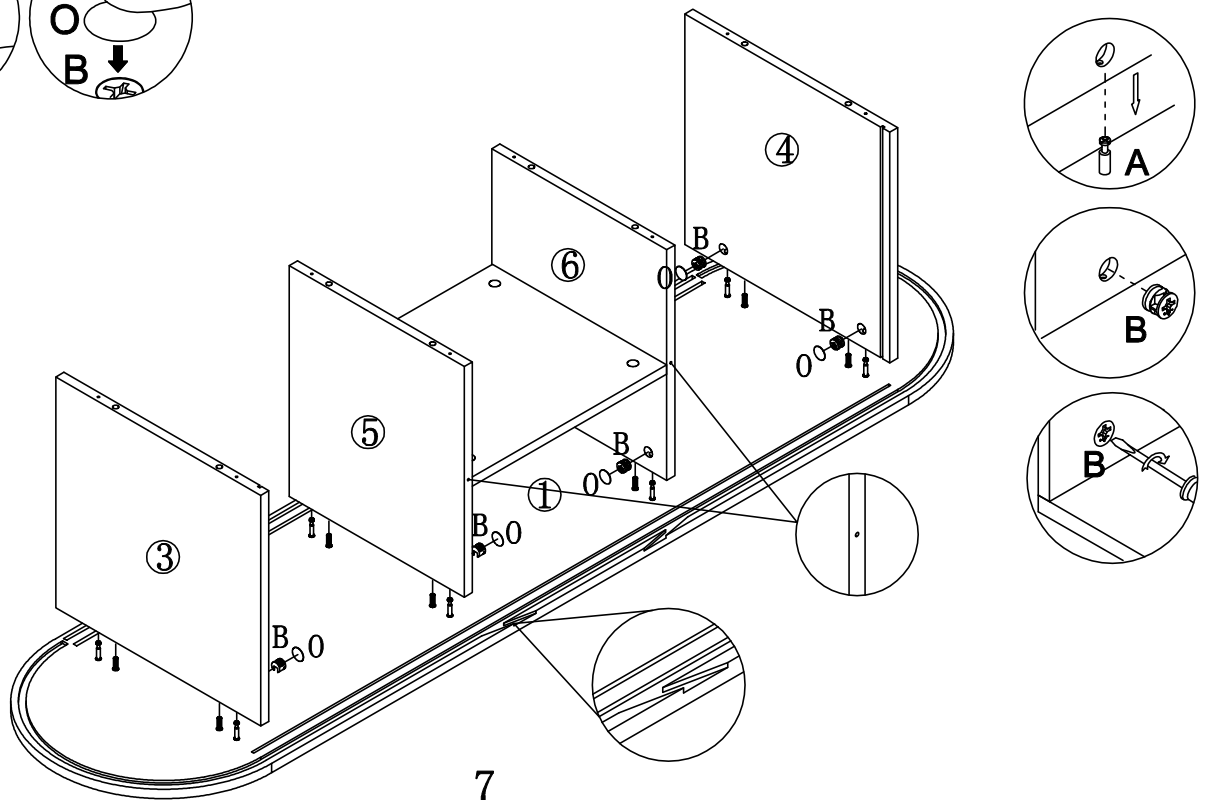
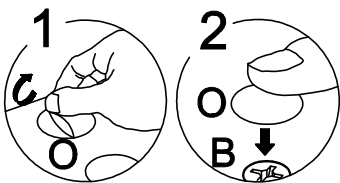
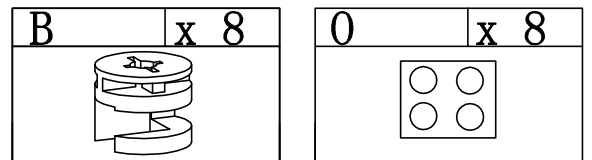
Step 2



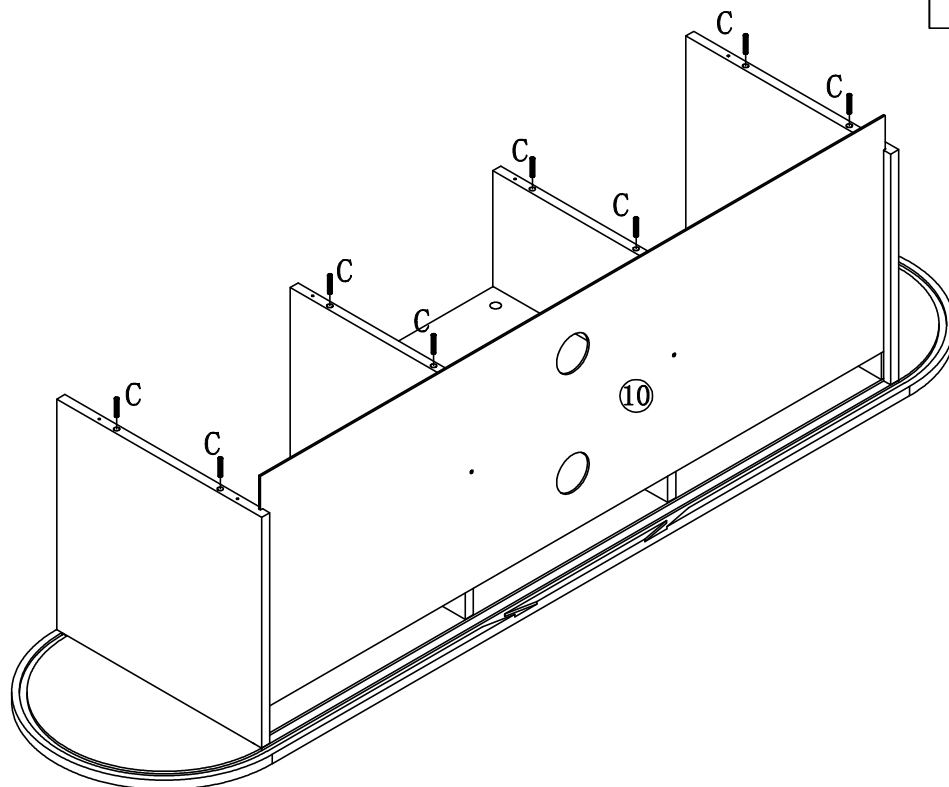
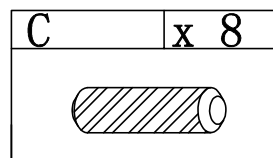
Step 3



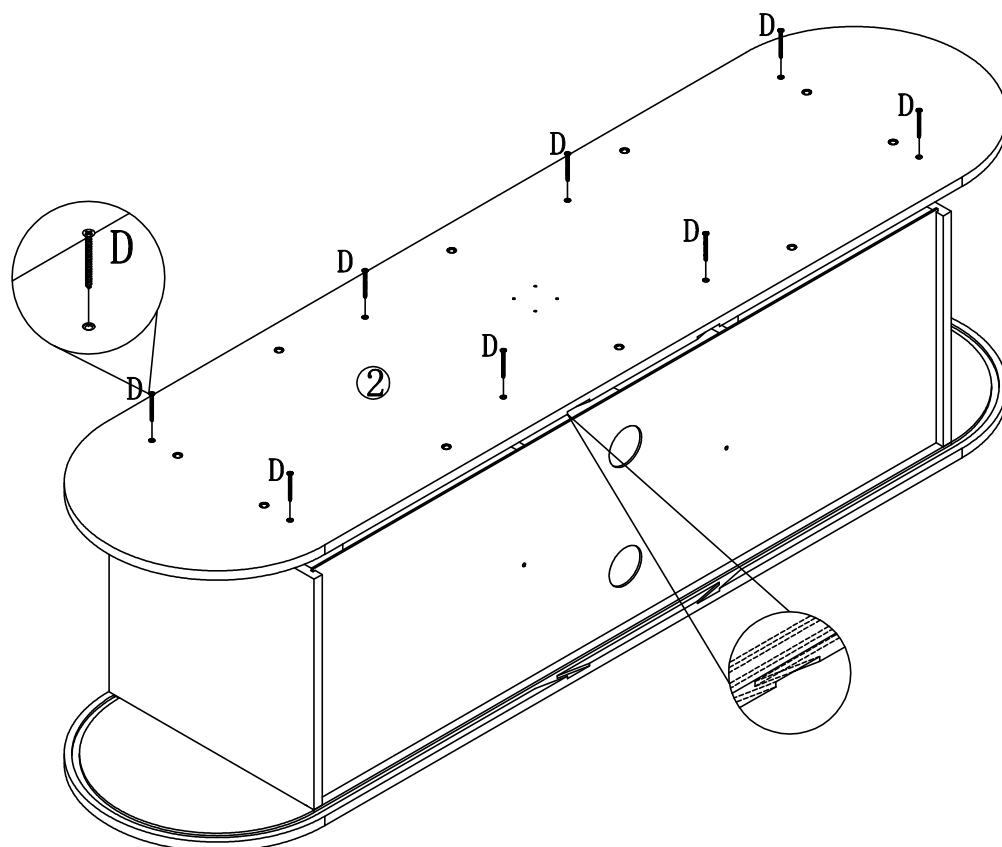
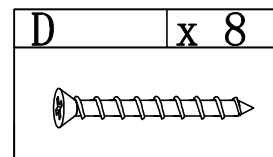
Step 4




Step 5




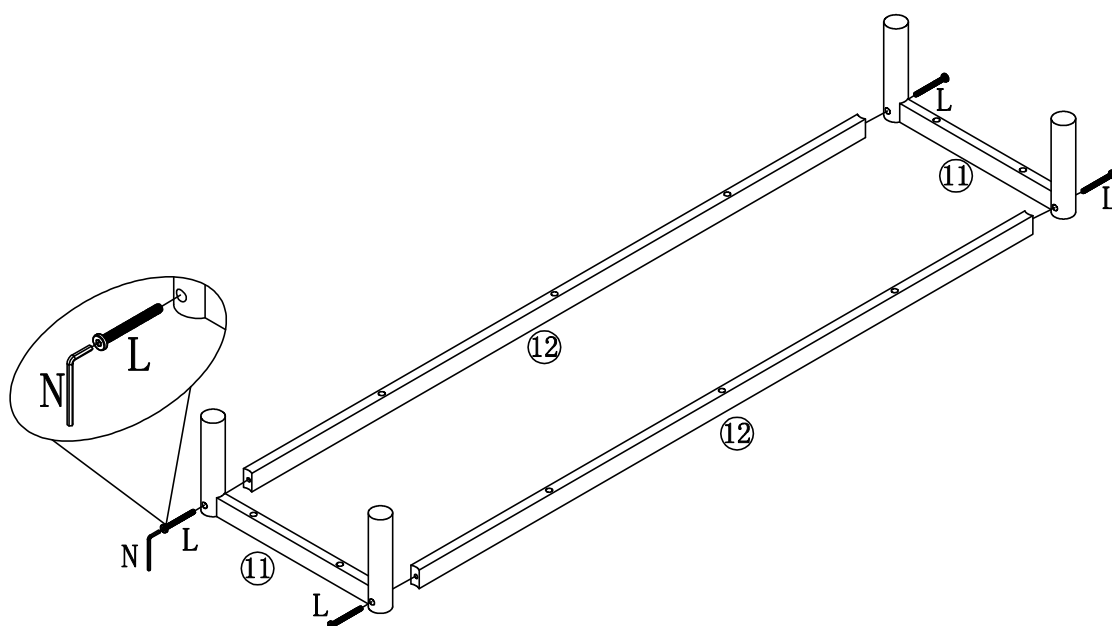
Step 6




Step 7


L	x 4
	

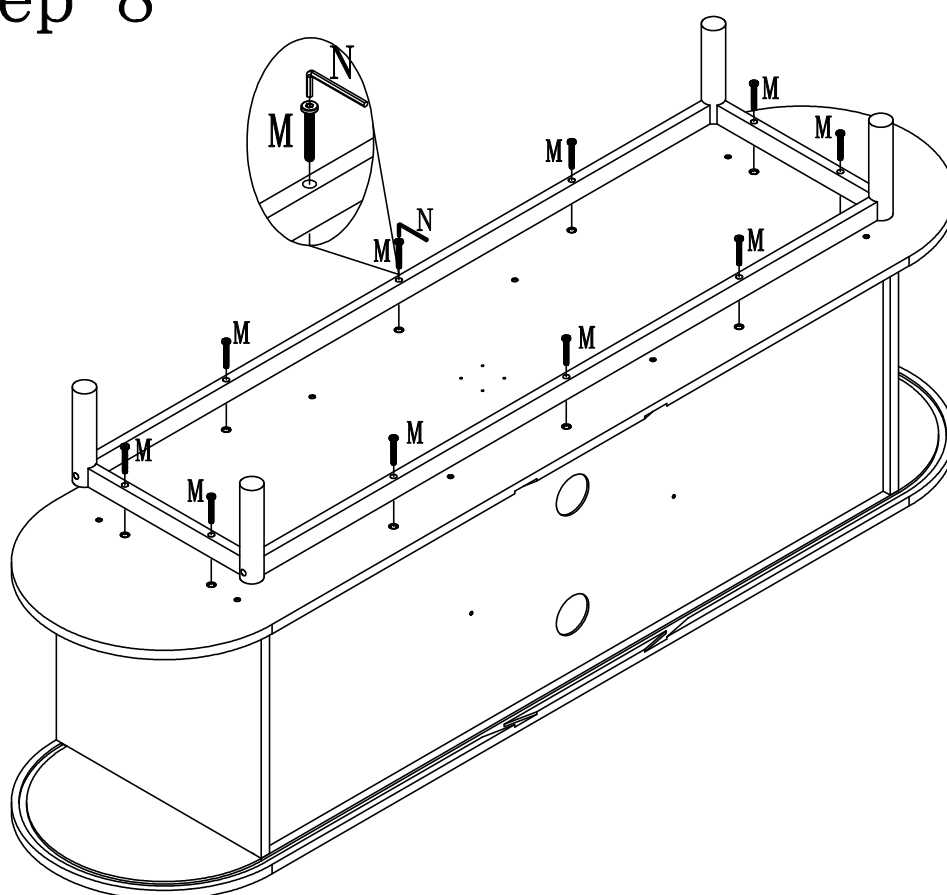
N	x 1
	



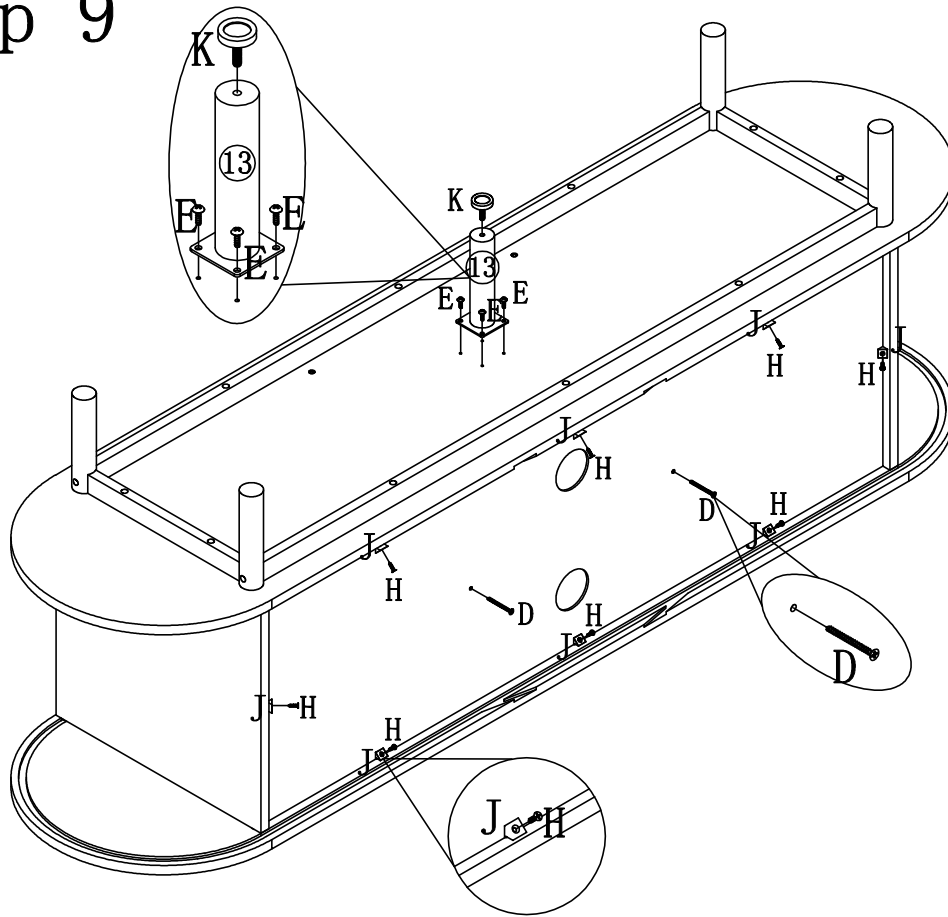
Step 8

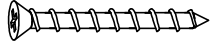
M	x 10
	


N	x 1
	





Step 9

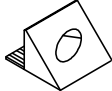


D	x 2
	

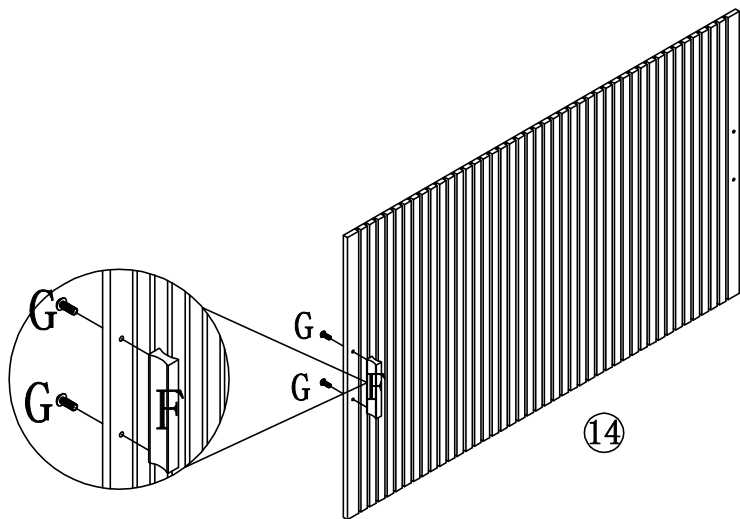
E	x 4
	


K	x 1
	


H	x 8
	

J	x 8
	

Step 10



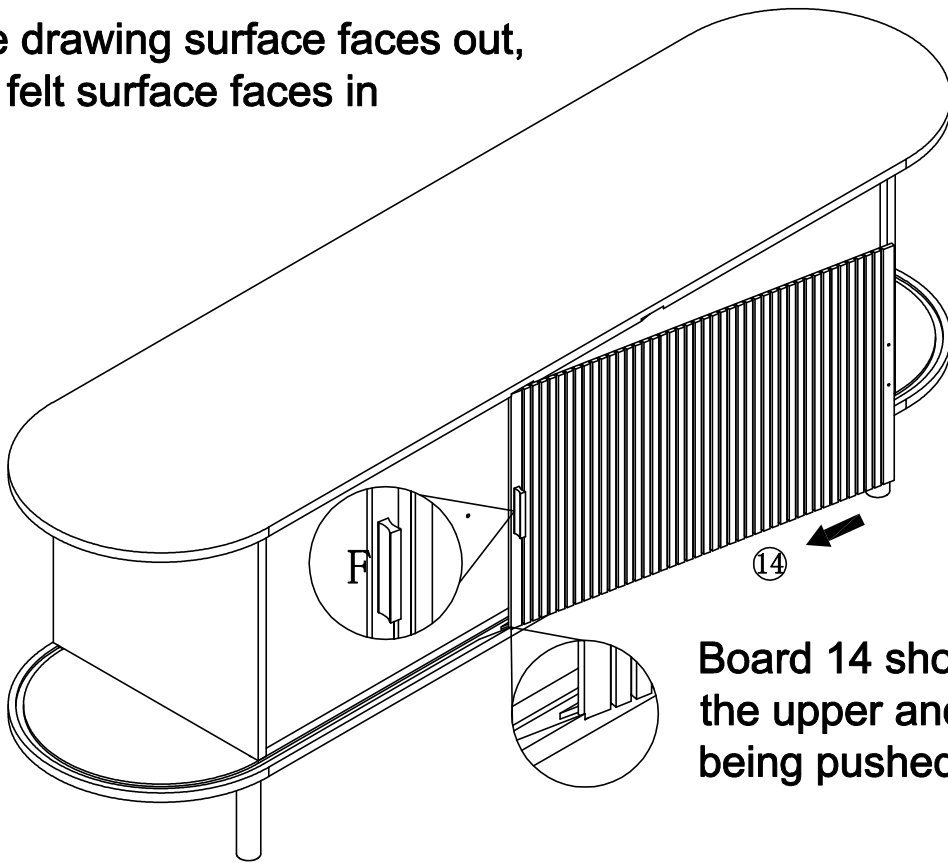
F	x 2
	

G	x 4
	

X 2

Step 11

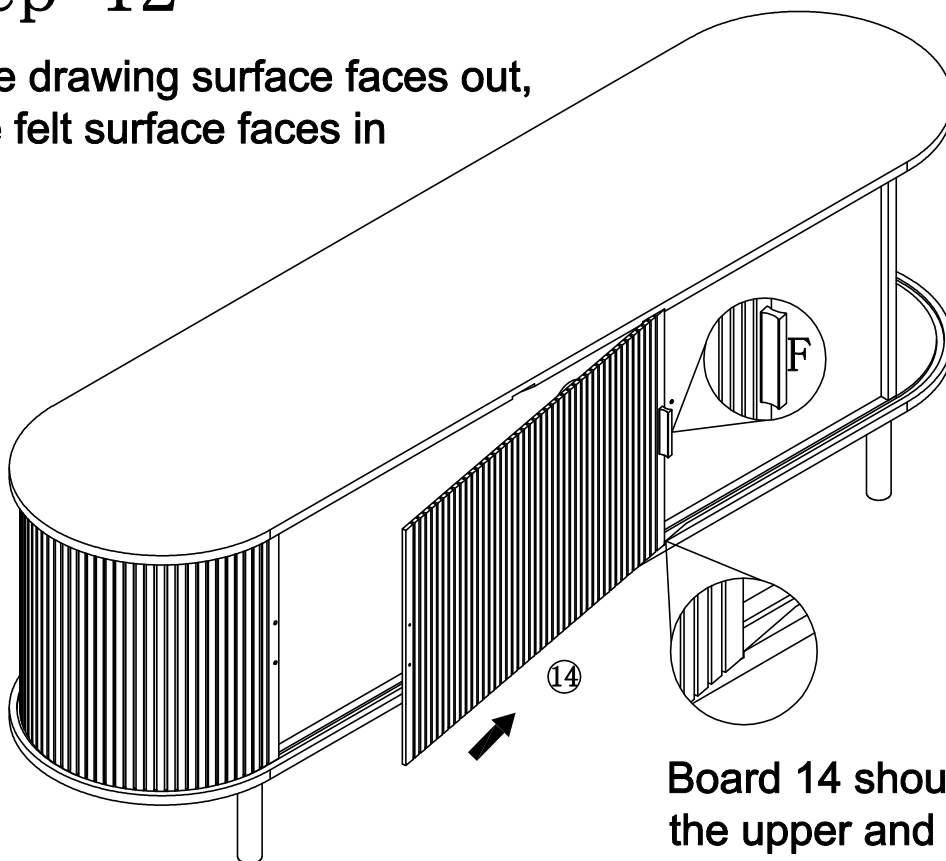
The drawing surface faces out,
the felt surface faces in



Board 14 should be aligned with
the upper and lower slots before
being pushed out

Step 12

The drawing surface faces out,
the felt surface faces in



Board 14 should be aligned with
the upper and lower slots before
being pushed out

Step 13

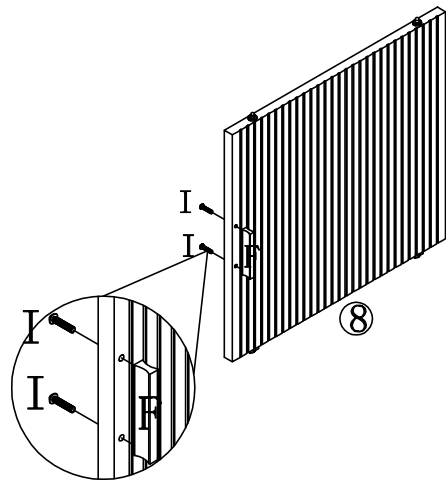
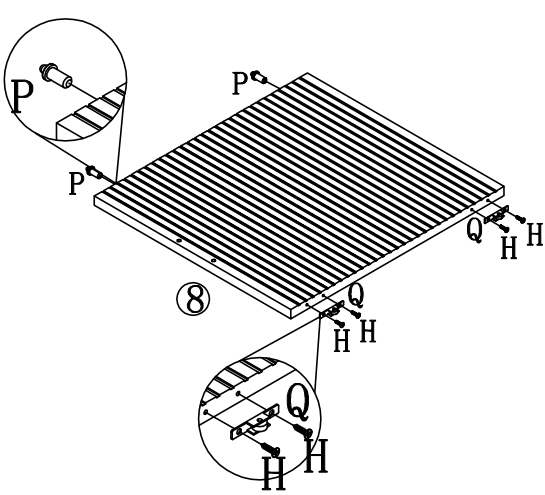
F	x 1

H	x 4

I	x 2

P	x 2

Q	x 2



Step 14

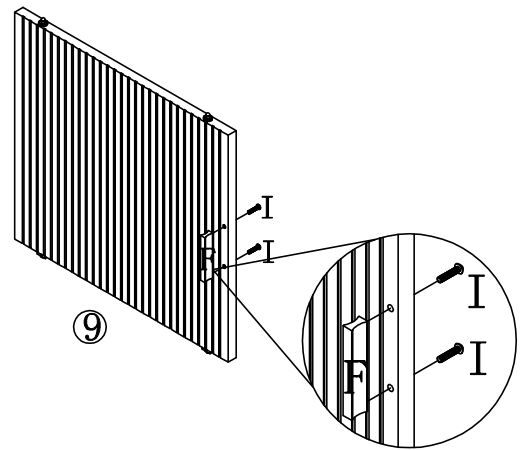
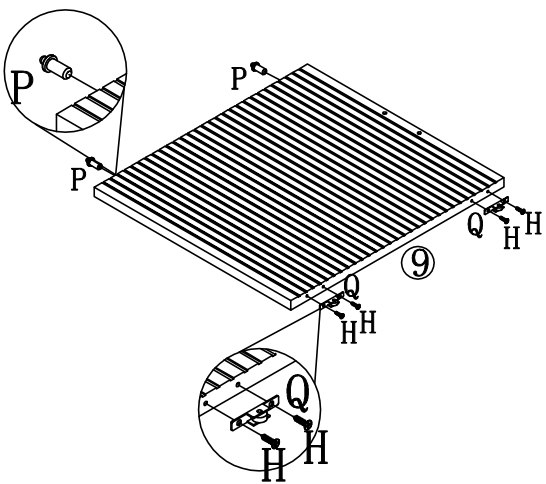
F	x 1

H	x 4

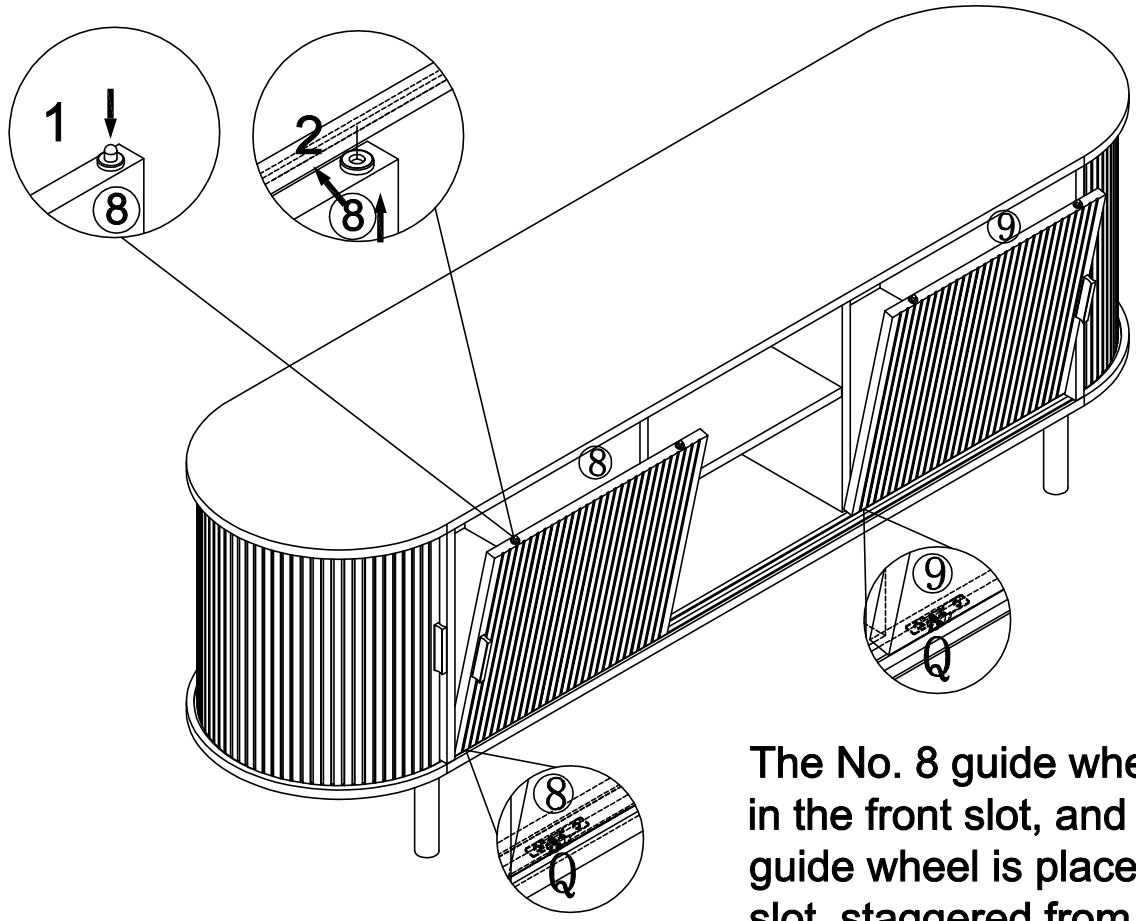
I	x 2

P	x 2

Q	x 2



Step 15



The No. 8 guide wheel is placed in the front slot, and the No. 9 guide wheel is placed in the back slot, staggered from each other

Step 16

