

### Features:

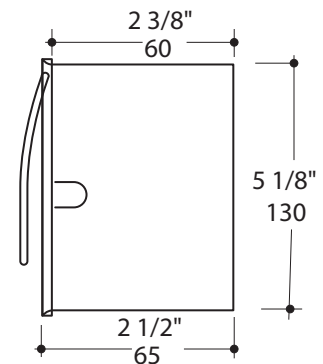
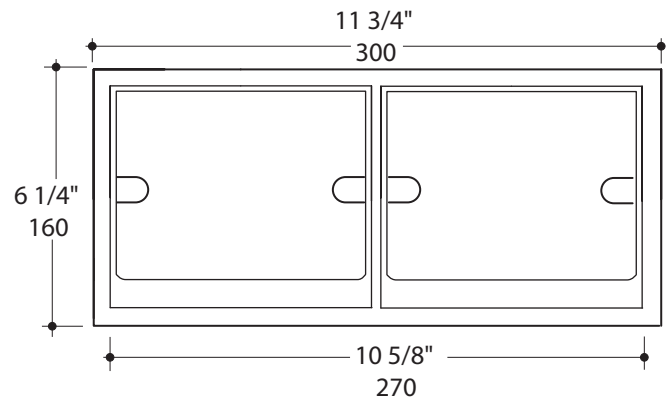
---

- Recessed double toilet paper holder
- Stainless steel construction
- Includes mounting hardware
- Suggested wall cut-out 10 7/8"W x 5 3/8"H

### Finish Options:

---

- 10-Polished Stainless Steel
- 21-Brushed Stainless Steel



Paper roll space width max. 4 1/2" (115mm)

LACAVA reserves the right to revise any dimension or information on this sheet without notice. Dimensions are nominal and may vary within an industry accepted tolerance of 1/4". Drawings provided herein are meant to give the user an idea of the product and are not made to scale. Location of plumbing is meant for reference, your specific application may vary.  
Revised: 12/15/2021