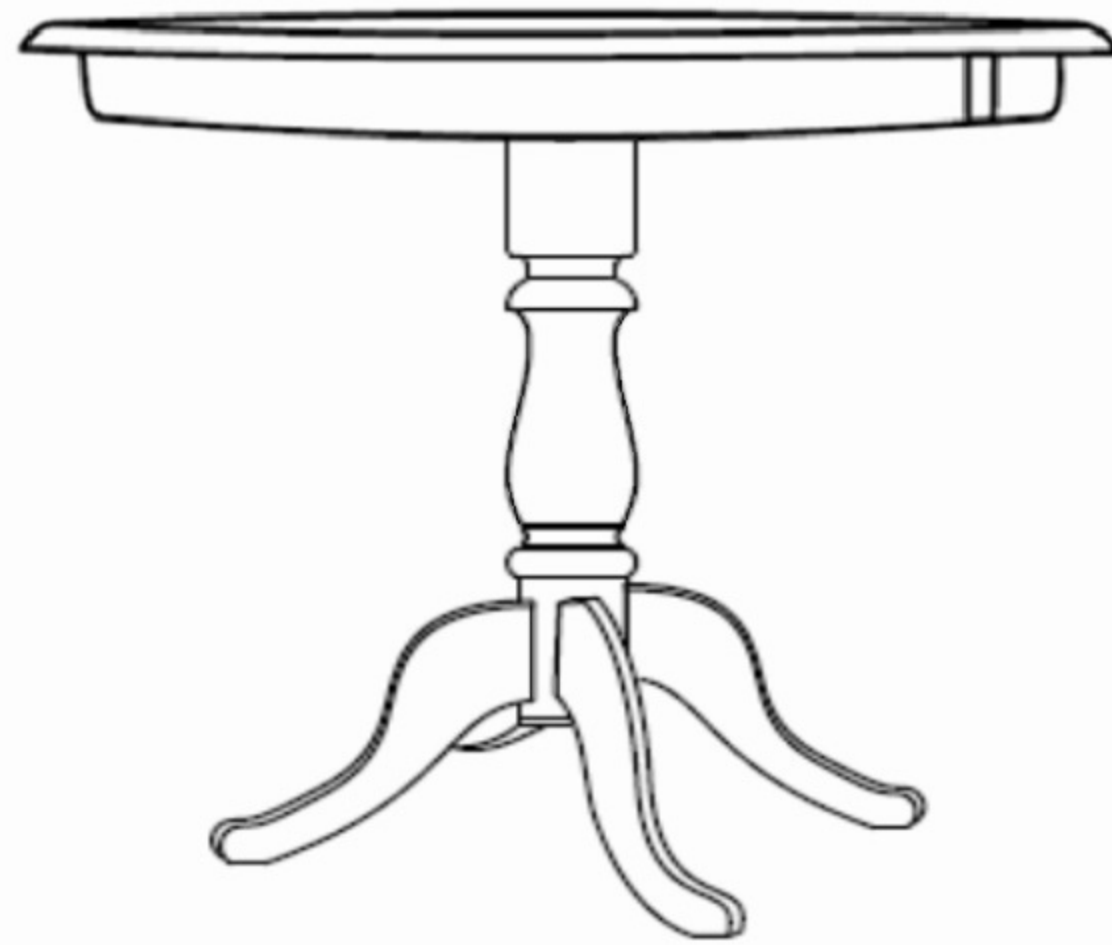
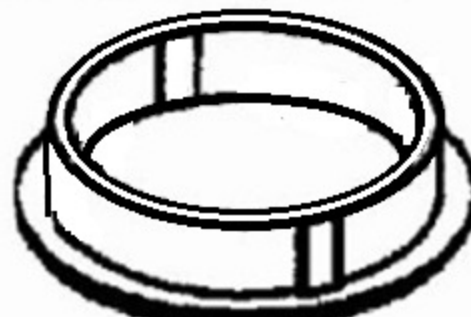


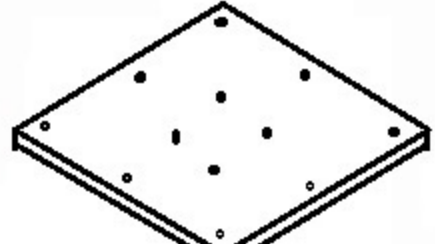









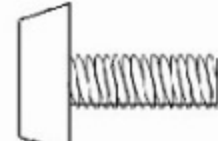
Assembly Instructions



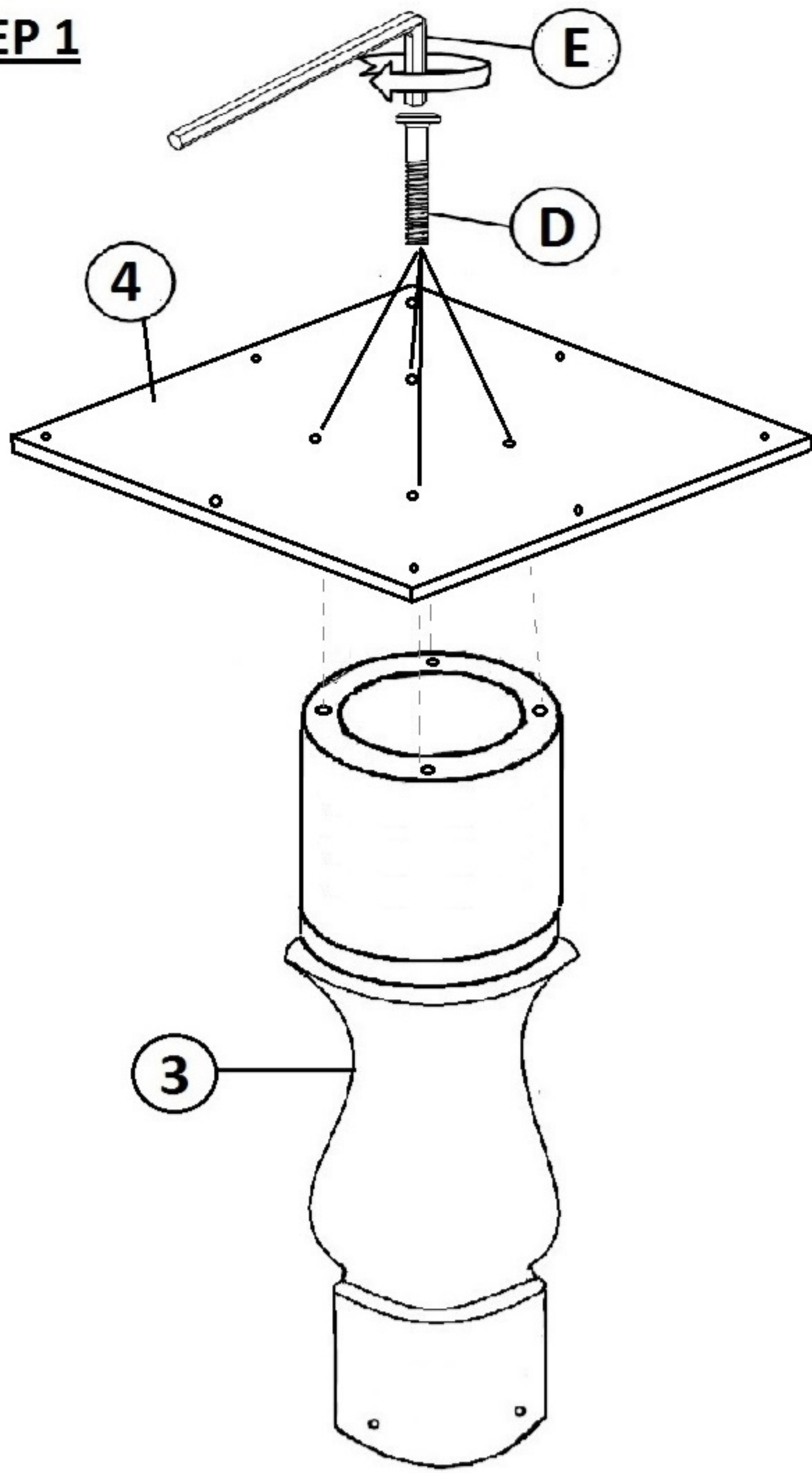
PARTS LIST:

① Bar top		1 PC
② Leg		4 PCS
③ Pedestal		1 PC
④ Bar top support		1 PC

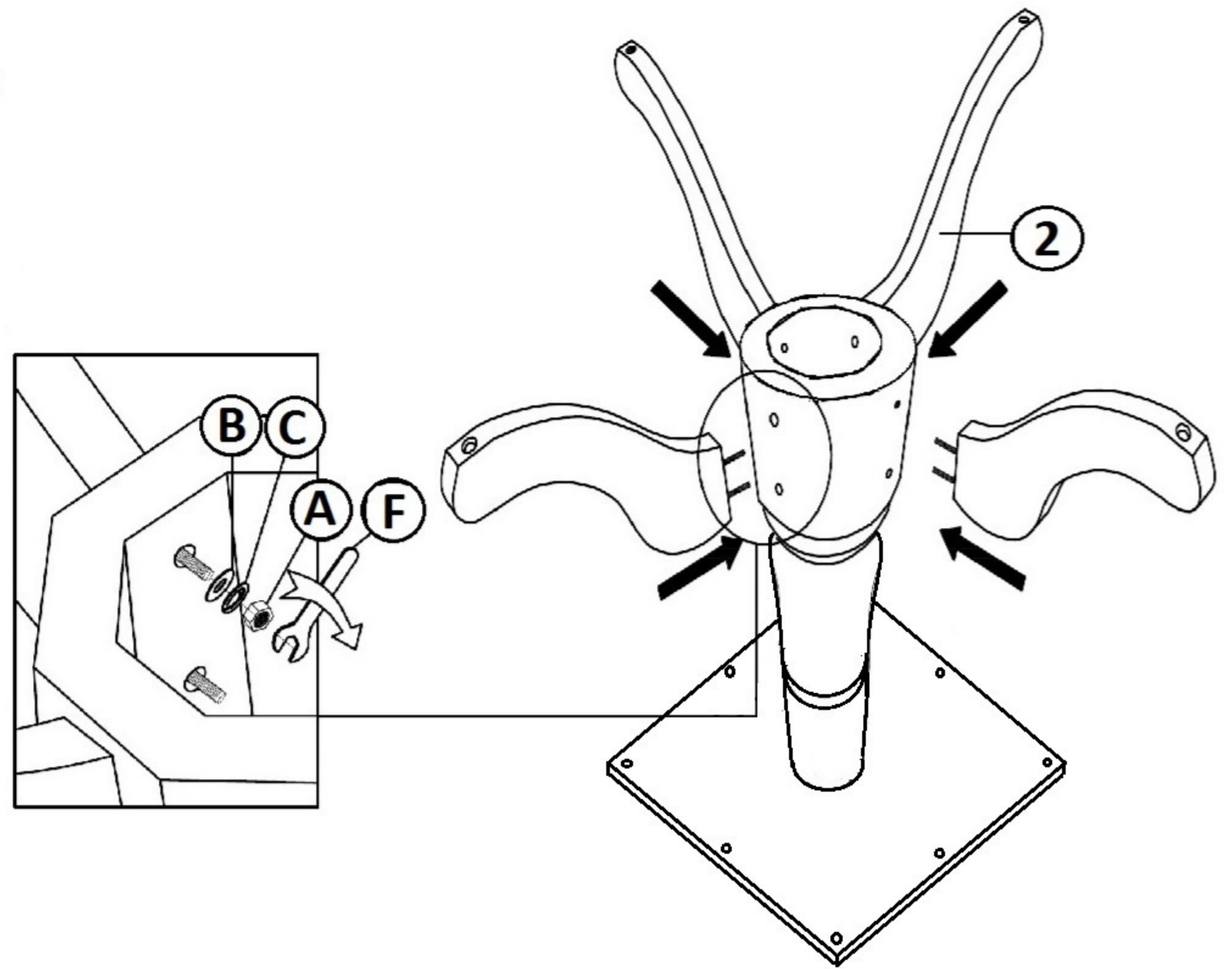
HARDWARE LIST:

(A) Hex Nut		4 PCS
(B) Flat Washer		4 PCS
(C) Spring Washer		4 PCS
(D) JCBC Bolt		4 PCS
(E) Allen Key		1 PC
(F) Wrench		1 PC
(G) Chipboard Screw		8 PCS
(H) Adjustable Glide		4 PCS

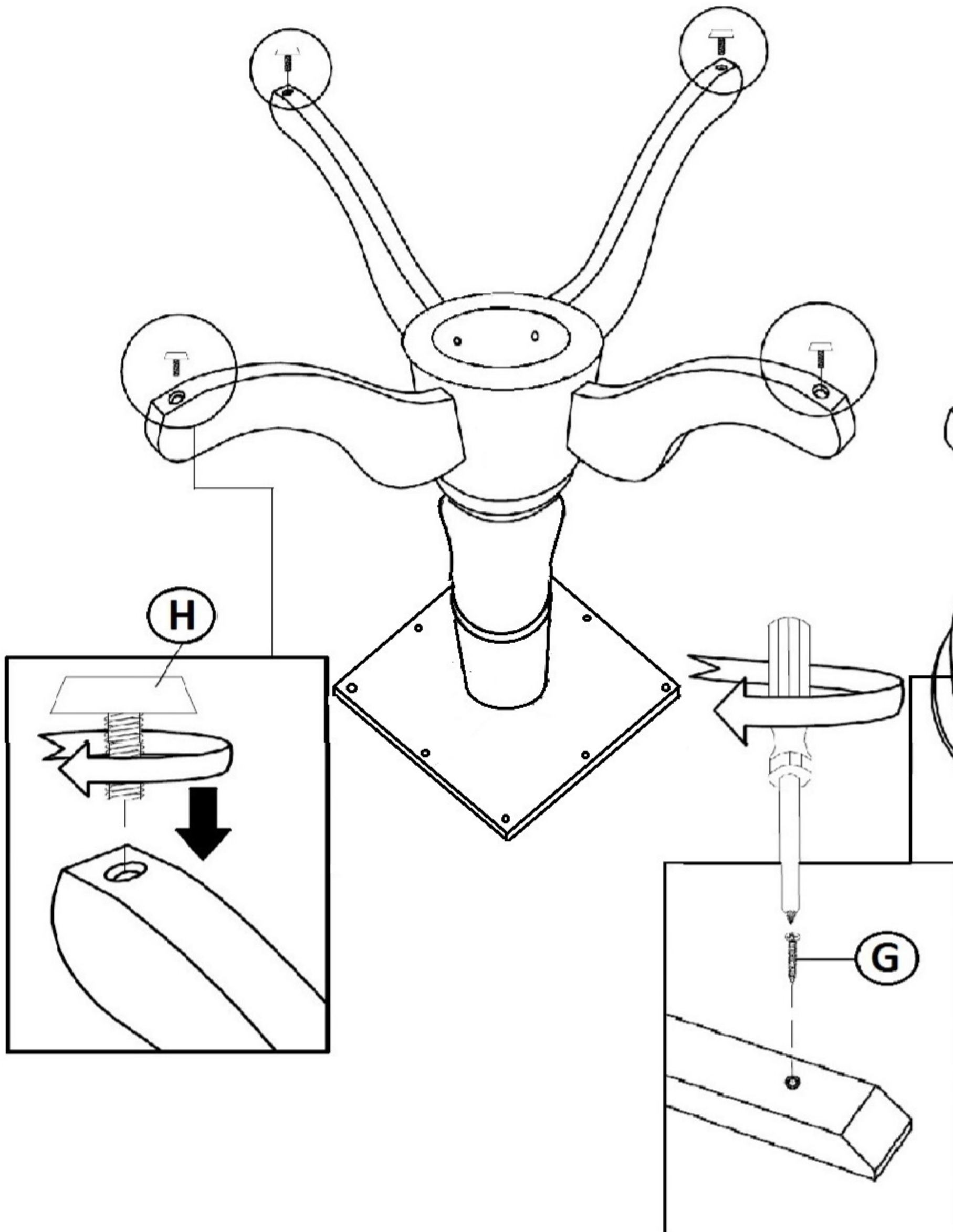
STEP 1



STEP 2



STEP 3



STEP 4

