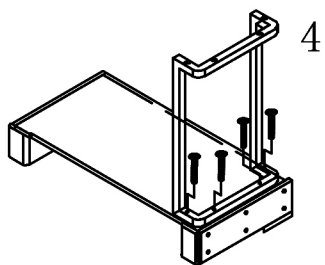




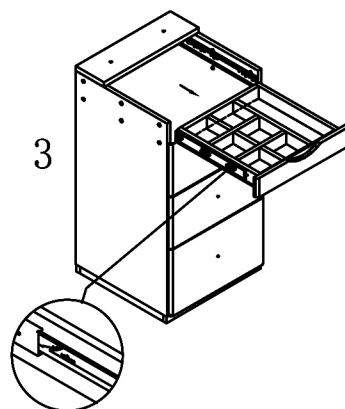
1. Mounting Stand



B	4
---	---

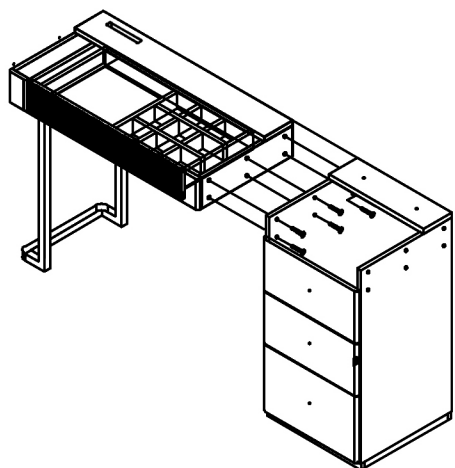


2. Pull out the drawer on the secondary cabinet



Press the catch to pull out the upper drawer

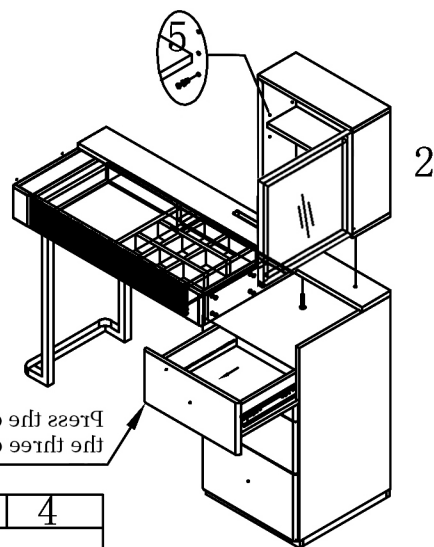
3. Main Cabinet to Sub-Cabinet



A	6
---	---



4. Installation of upper cabinets for sub-cabinets

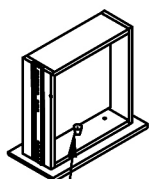


Press the catch to pull out the three drawers

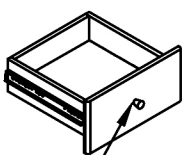
A	2	C	4
---	---	---	---



5. Reverse the drawer pulls

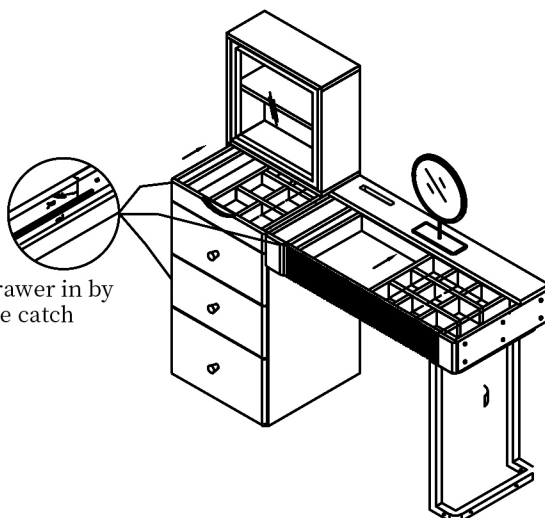


Remove the handle



Reverse the pulls and install them

6. Push the drawer into the cabinet



Push the drawer in by pressing the catch

Note: The main cabinet and sub-cabinet are interchangeable.