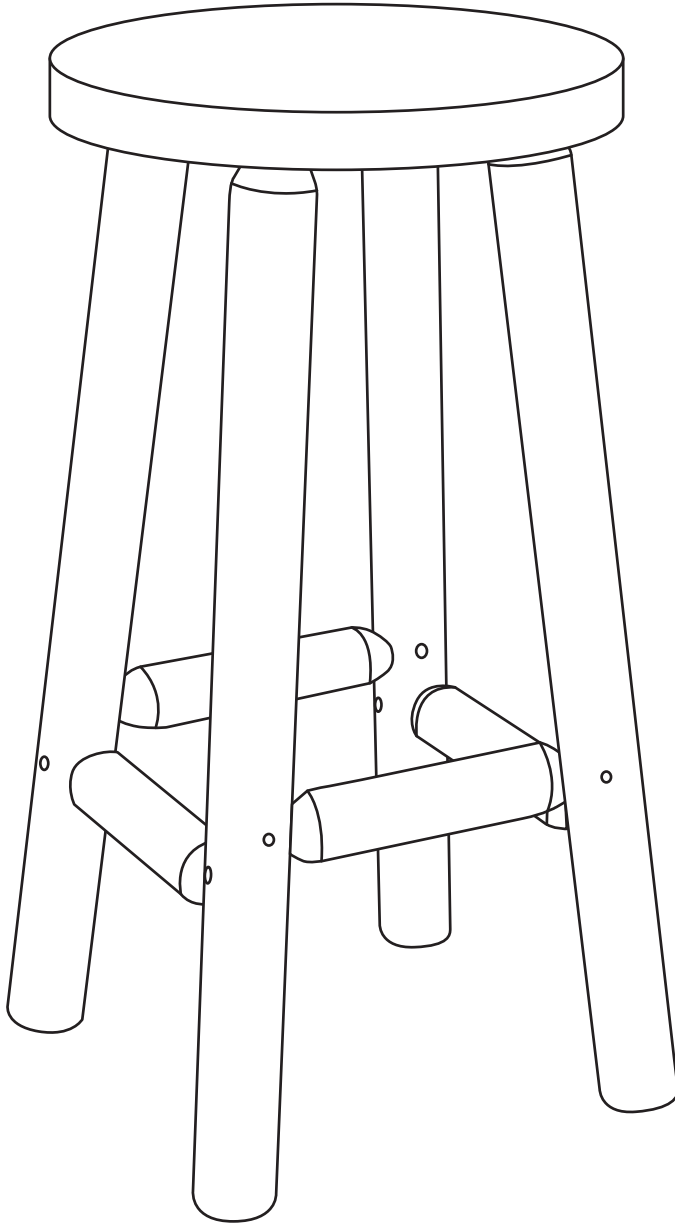


FIR WOOD BAR STOOL DSL-961

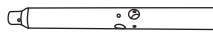
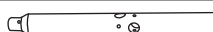
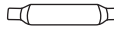
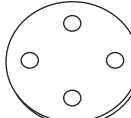
Read assembly instructions carefully and follow the care instructions. Save this document for future reference.
Assemble components on a soft, clean surface to avoid scratching or damaging any surfaces.





NOTE: Wood is a natural product. Some checking (splits in the wood) is a normal feature of wooden products. Checking is part of what gives wood decor an authentic appearance.

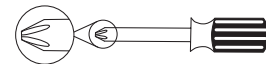


Inspect packaging to ensure all parts are accounted for before disposing of packing materials.

No.	PARTS		QTY.
A1		Leg	2
A2		Leg	2
B		Footrest	4
C		Seat	1

No.	HARDWARE		QTY.
1		M3.5x35mm Screw	16
2		M3.5x60mm Screw	4

TOOLS REQUIRED (not included)



Phillips Screwdriver

! WARNING !

CHOKING HAZARD — This item contains small parts that can be swallowed. Keep children and pets away during assembly.

! HELPFUL HINT

Sunnydaze Decor advises reading this manual fully before assembly and assembling the item soon after purchase. Check that all parts are accounted for, and familiarize yourself with the assembly before beginning. Save this manual for future reference.

ASSEMBLY

Review all steps and understand assembly before beginning.

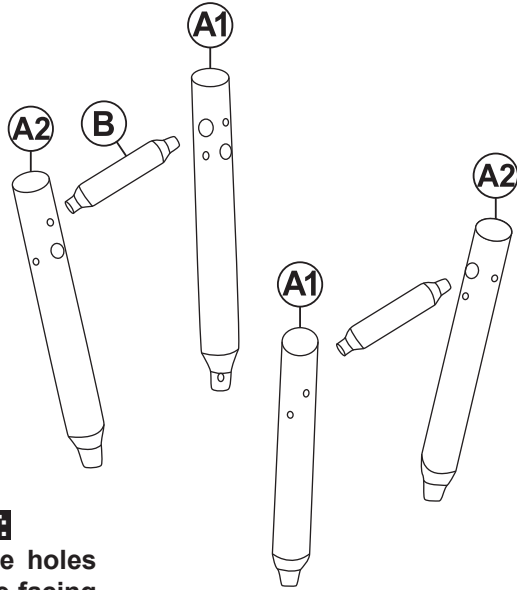
Do not fully tighten hardware until all components have been loosely fastened.

STEP 1

A1: 2

A2: 2

B: 2



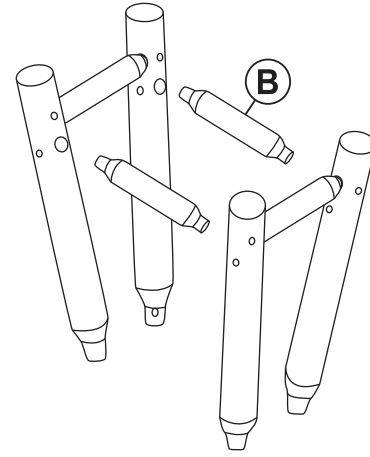
IMPORTANT:

Make sure the holes of the legs are facing inward, as shown.

Firmly insert two Support Bar (B) into the lower holes of Legs (A1) and Legs (A2), as shown.

STEP 2

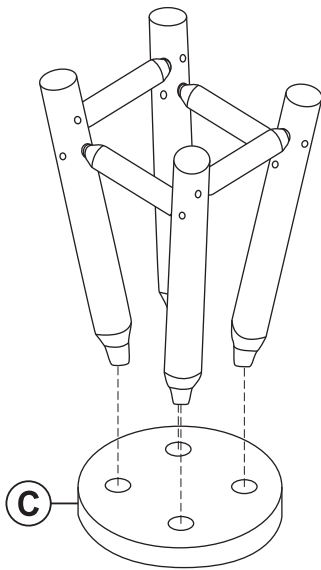
B: 2



Firmly insert the remaining two Footrests (B) into the upper holes of Legs (A1) and Legs (A2), as shown.

STEP 3

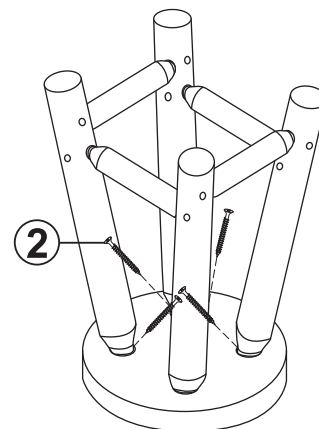
C: 1



Insert the tops of the four legs into the underside of Seat (C).

STEP 4

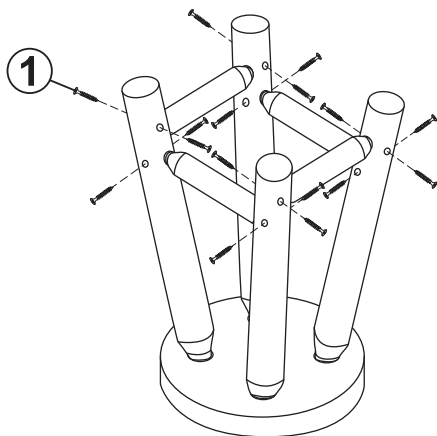
2: 4



Fasten the legs to the seat using four M3.5x60mm Screws (2).

STEP 5

1: 16



Fasten the footrests to the legs using sixteen M3.5x60mm Screws (1), as shown.

Flip the stool upright and check that it is sturdy. If the stool feels loose the screws may need additional tightening.

Care & Maintenance

SAFE USE: Only use on a flat, level surface. Do not stand or climb on any part of this unit.

INSPECT: Periodically check hardware and tighten as necessary.

MOVING: Do not drag when moving the unit, as doing so will weaken assembly points and could cause breakage.

CLEANING: Follow the woodgrain with a soft cloth to remove dust, dirt, and debris. Do not use chemicals or abrasive materials as they will damage the wood.

WINTER CARE & STORAGE: Maintain the appearance and prevent damage by storing this item indoors when not in use.

Wood expands when wet and contracts when it dries. Therefore, repeated and excessive exposure to moisture, rain, and snow can damage the product. The resulting damage includes, but is not limited to, assembly points becoming loose, wood cracking, mold and mildew growth, and hardware rust.

MAINTENANCE: If left untreated, the wood may weather. To maintain the appearance, apply a suitable penetrating wood oil (not included). Reapply wood oil yearly or when the wood looks particularly dry.

Before applying wood oil, clean the unit and bring it into a dry, warm, indoor location. Allow the unit to dry thoroughly before applying oil; drying may take several days. Only apply oil to wooden surfaces. Apply oil as directed by the wood oil manufacturer.

WARNING: THE ONE-YEAR WARRANTY DOES NOT COVER DAMAGES OR DEFECTS CAUSED BY THE USE OF PROTECTIVE COATINGS OR CHEMICAL TREATMENTS.

! SAFETY STATEMENTS & WARNINGS !

- Do not exceed the weight capacity of the furniture.
- Do not stand on the stool.
- Inspect hardware often and tighten loose hardware before use.
- Do not put hot items on or near furniture.
- Do not allow children to use this product without adult supervision.
- Do not use harsh chemicals or abrasive materials to clean the furniture.
- Do not use a pressure washer to clean the furniture.

Any modification to the product or failure to follow recommended care will void the product warranty.

! WARNING:

Manufacturer and seller expressly disclaim any and all liability from personal injury, property damage or loss, whether direct or indirect, or incidental, resulting from the incorrect attachment, improper use, inadequate maintenance, or neglect of this product.