

ASSEMBLY INSTRUCTIONS



CAUTION

- ◆ Inspect the wire insulation for any cuts, abrasions, or exposed copper that may have resulted during shipping. If there is a defect in the wire, do not attempt installation.
- ◆ Before starting installation of this fixture or removal of a previous fixture, disconnect the power by turning off the circuit breaker or by removing the fuse at the fuse box.

TOOLS REQUIRED



Ladder

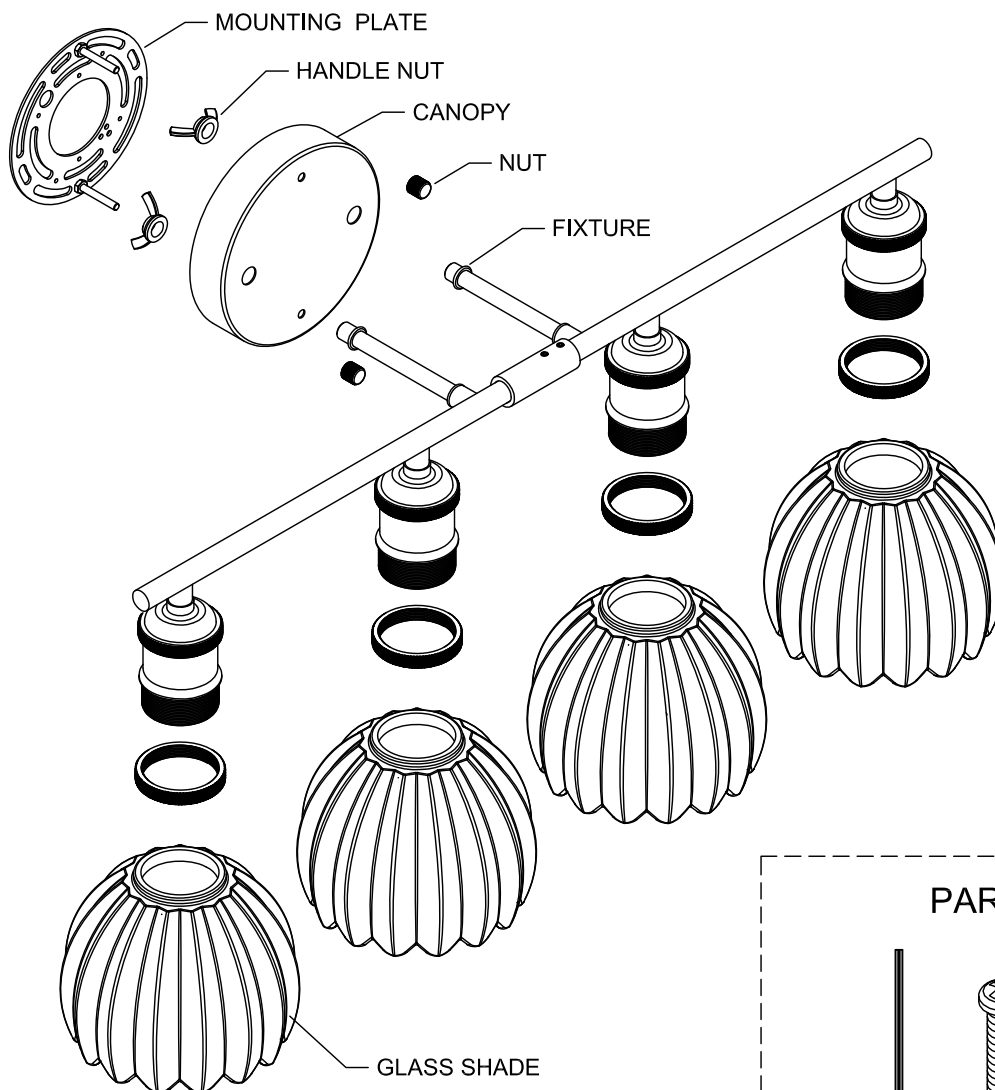


**Safety
glasses**



**Phillips
screwdriver**

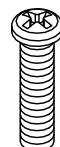
PARTS SHOWN MAY DIFFER SLIGHTLY PER LIGHT FIXTURE



PART BAG



X1



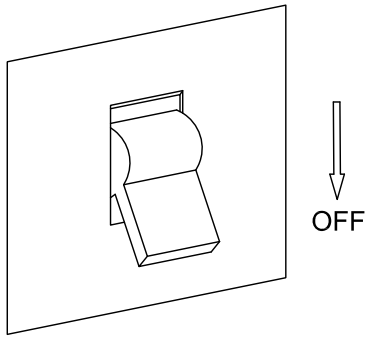
X2



X3

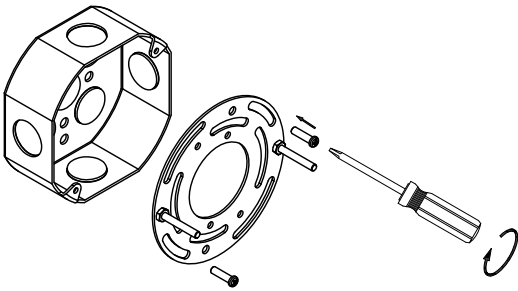
Step 1

Power off



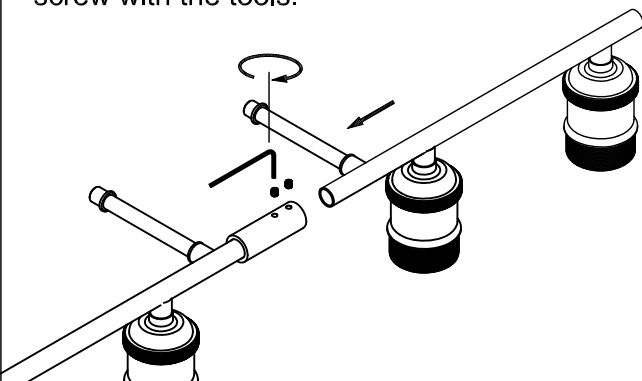
Step 2

Use the mounting screws to attach the mounting



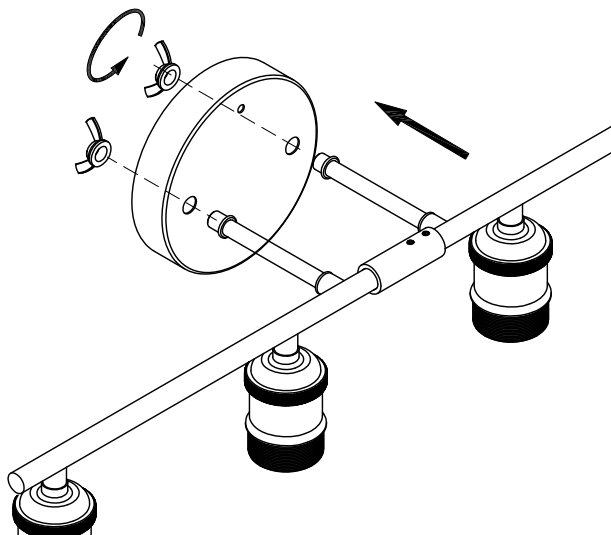
Step 3

Insert the right arm into the left arm, and tighten the screw with the tools.



Step 4

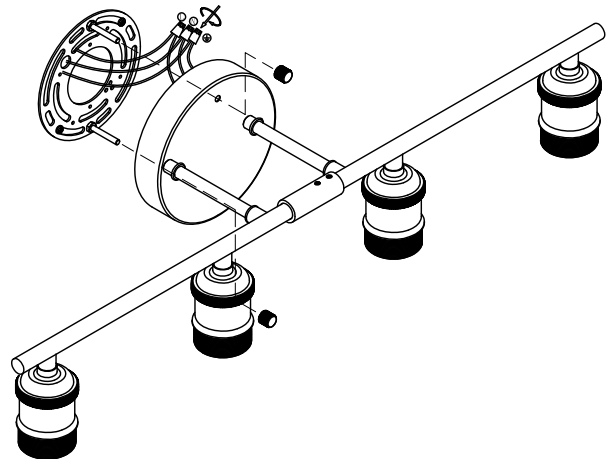
Attach the fixture to the canopy with the handle nut.



Step 5

Connect the wire.

Attach the fixture to the mounting plate with the nut

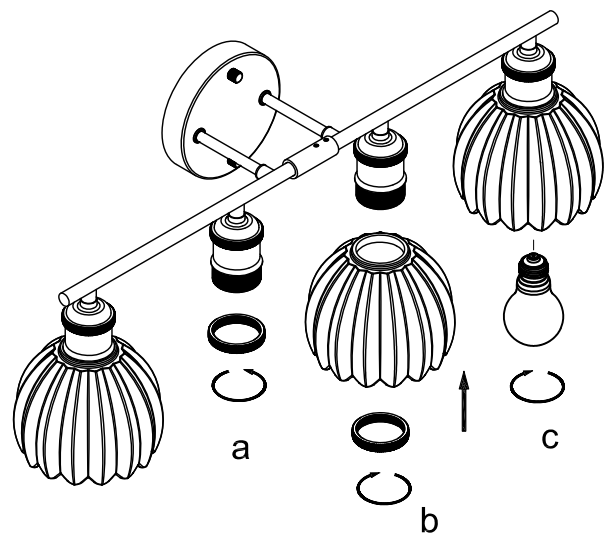


STEP 6

a. Remove the socket ring from the fixture.

b. Attach the glass shade onto fixture by socket ring.

c. Install the bulb.



SCONCE

