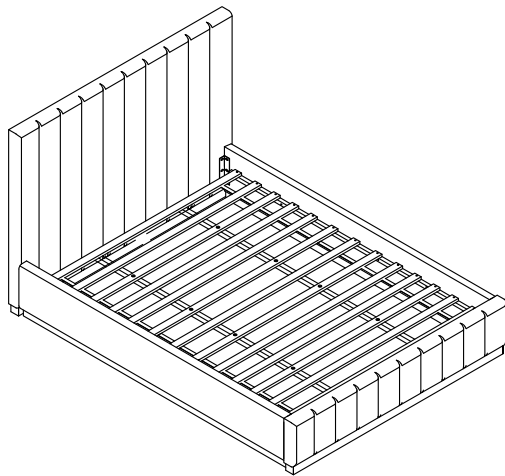


# ASSEMBLY INSTRUCTION

## Bed- K



**+ Do Not Use Power Tools**



**+Suggested Adults**



### NOTE:

- 1 Read instructions cover to cover.
- 2 Save all packaging until assembly is completed.

### 1 IMPORTANT SAFETY INFORMATION

**Do not** assemble the product if any of the following parts arrived damaged:

- |                                  |   |
|----------------------------------|---|
| Part#1 -Headboard                | Part#7 -Center leg                          |
| Part#2 -Footboard                |   |
| Part#3 -Wood strip for Side rail |   |
| Part#4 -Center slat support      |   |
| Part#5 -Side rail                | Part#8 -Wood Block on Headboard & Footboard |
| Part#6 -Slats                    |   |

**Do not** assemble if any of the following Hardware parts are missing:

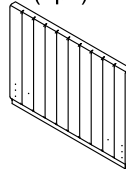
- |                       |                       |
|-----------------------|-----------------------|
| Part#B,E, -Bolt       | Part#D, -Lock washer  |
| Part#A, -Allen Key    | Part#G -Metal bracket |
| Part#C,H -Flat washer | Part#F -screw         |

### 2 IMPORTANT SAFETY INFORMATION

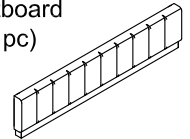
**Assembly Step** if loosening persists, please make sure to tighten all the bolts periodically, or use a thread locker adhesive.

### +Parts Included

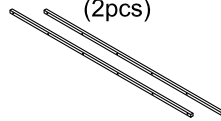
① Headboard (1pc)



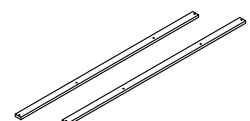
② Footboard (1pc)



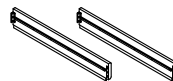
③ Wood strip for Side rail (2pcs)



④ Center slat support (2pcs)



⑤ Side rail (2pcs)



⑥ Slats (13pcs)



⑦ Center leg (8pcs)



⑧ Wood Block on Headboard & Footboard (4pcs)



### +Hardware Included

A Ø5/16" (1pc)



B Ø5/16"\*1" (24pcs)



C Ø5/16" (24pcs)



D Ø5/16" (48pcs)



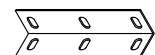
E Ø1/4" \*2" 3/8" (24pcs)



F #8\*30mm (30pcs)



G Metal bracket (4pcs)



H Ø1/4" (24pcs)

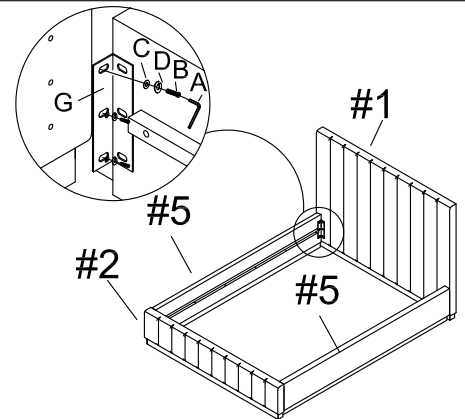


# ASSEMBLY INSTRUCTION

## Bed- K

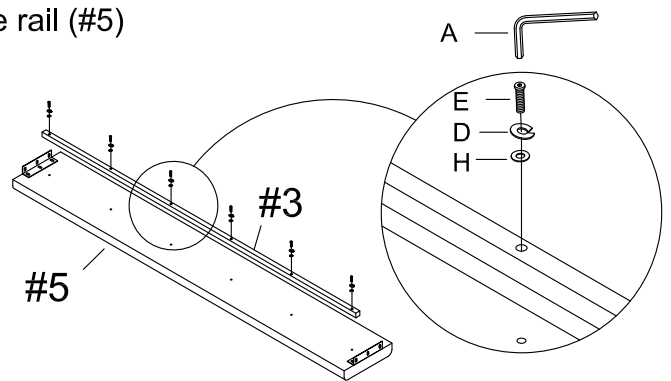
1

Step 1. Attach Metal Bracket (G) to side rail (#5), Headboard (#1) and Footboard (#2) with Bolt (B), Lock washer (D) and Flat washer (C). Tighten with Allen Key (A).



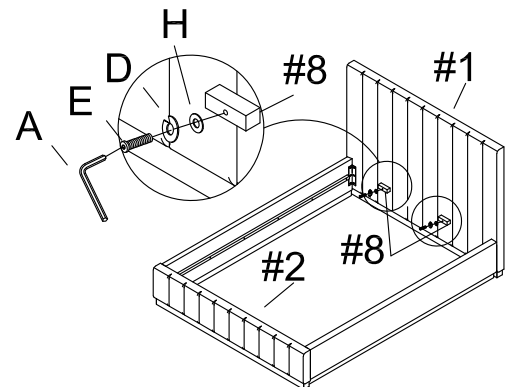
2

Step 2. Attach Wood strip for Side rail (#3) to side rail (#5) with Bolt (E), Lock washer (D) and Flat washer (H). Tighten with Allen Key (A).



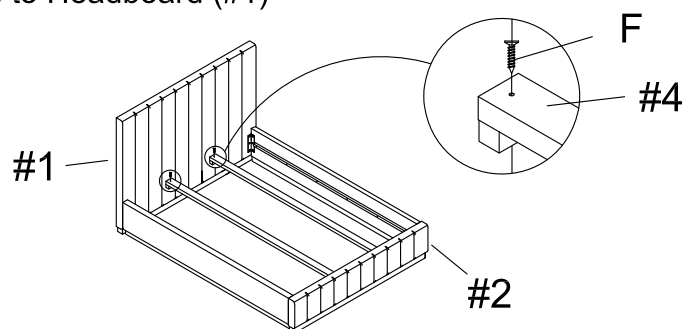
3

Step 3. Attach Wood Block on (#8) to Headboard (#1) and Footboard (#2) with Bolt (E), Lock washer (D) and Flat washer (H). Tighten with Allen Key (A).



4

Step 4. Attach Middle support rail of Slats (#4) to Headboard (#1) and Footboard (#2) with Screw (F).

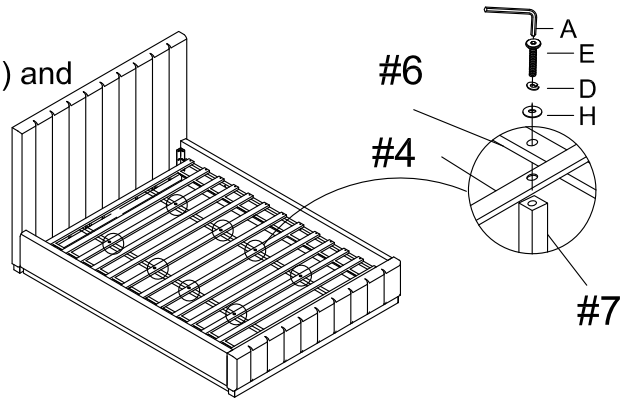


# ASSEMBLY INSTRUCTION

## Bed- K

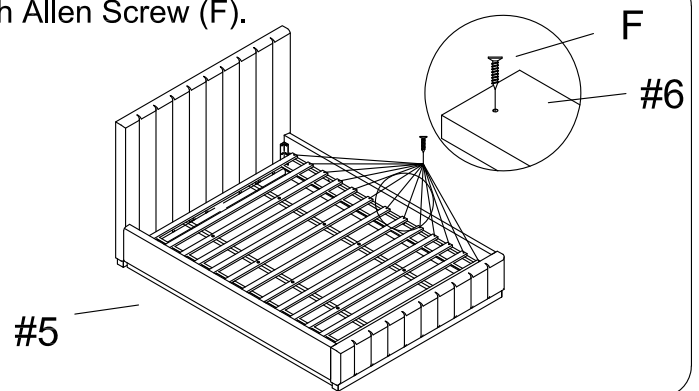
5

Step 5. Attach Center leg (#7) to Middle support rail (#4) and Slats (#6) with Bolt (E), Lock washer (D) and Flat washer (H). Tighten with Allen Key (A).



6

Step 6. Attach Slats (#6) and to Side rail (#5) with Allen Screw (F).



7

Assembly Complete.

