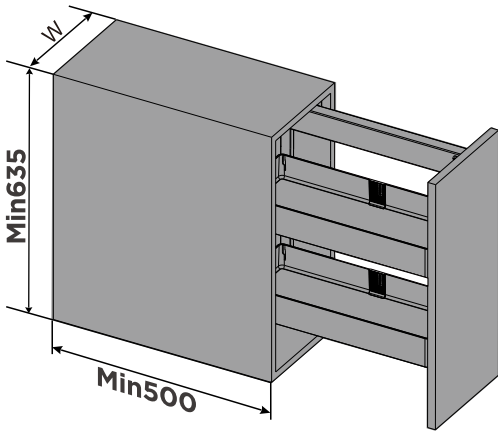


Instruction for Shearer2.0 Tray Basket



Accessories List

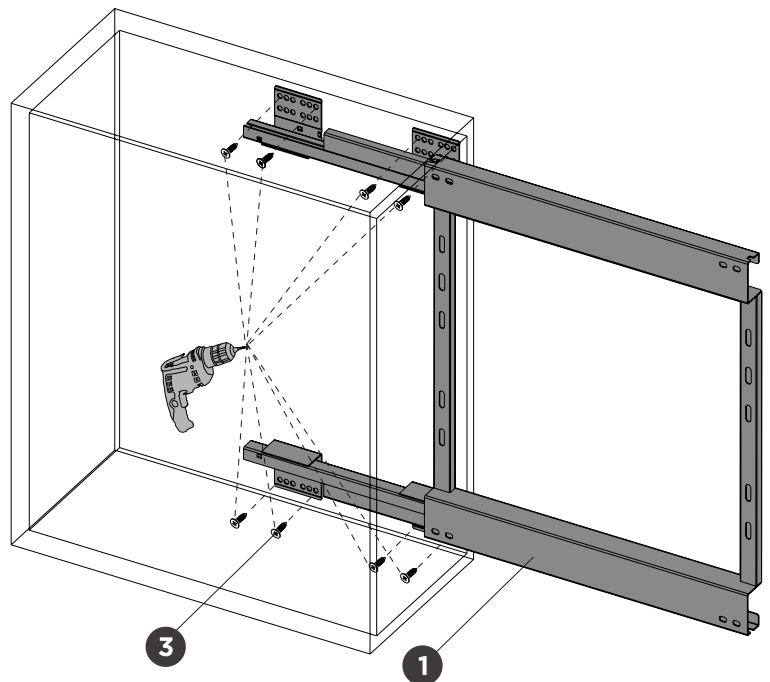
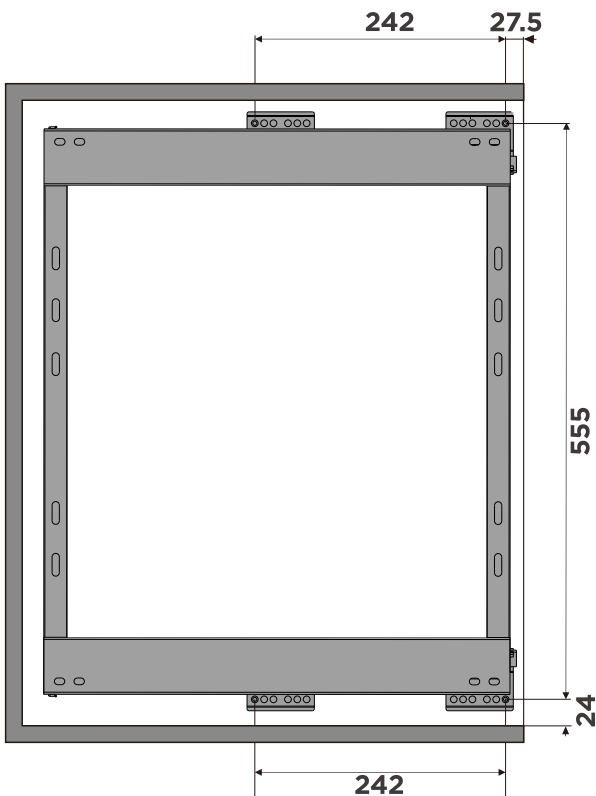
<p>Frame (universal for right & Left)</p> <p>1</p>	<p>Door Bracket</p> <p>2pcs 2</p>	<p>Screw ST4.0*16</p> <p>24pcs 3</p>
<p>Screw M6*10</p> <p>8pcs 4</p>	<p>5 6pcs</p>	<p>Basket</p> <p>2pcs 6</p>

Cabinet Size	Product Size(mm)
150mm	105*465*580
200mm	155*465*580
250mm	205*465*580
300mm	255*465*580

Step 1 Installation of Frame (Take the right size as an example)

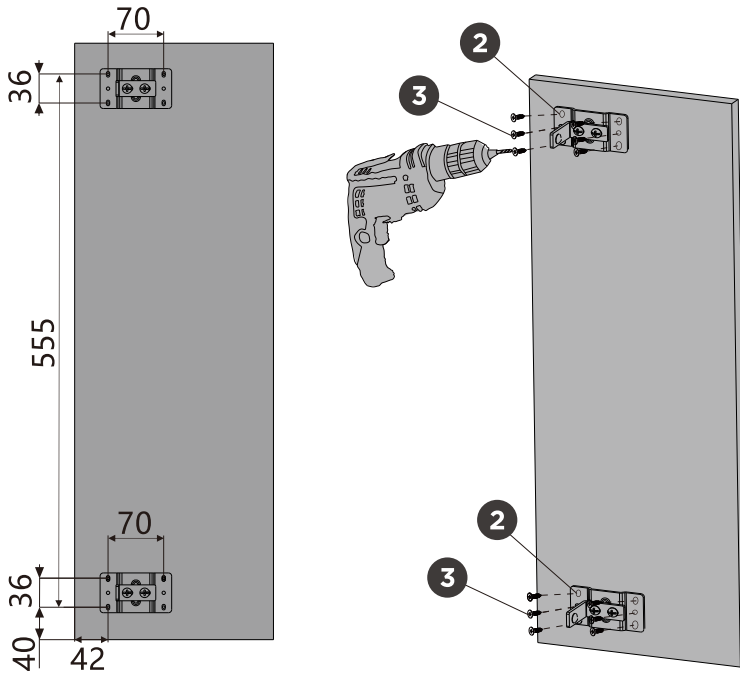
1.1 Drill holes as below picture shown ϕ 2.5mm

1.2 Fix the Screw ST4.0*16 after pulling out the frame

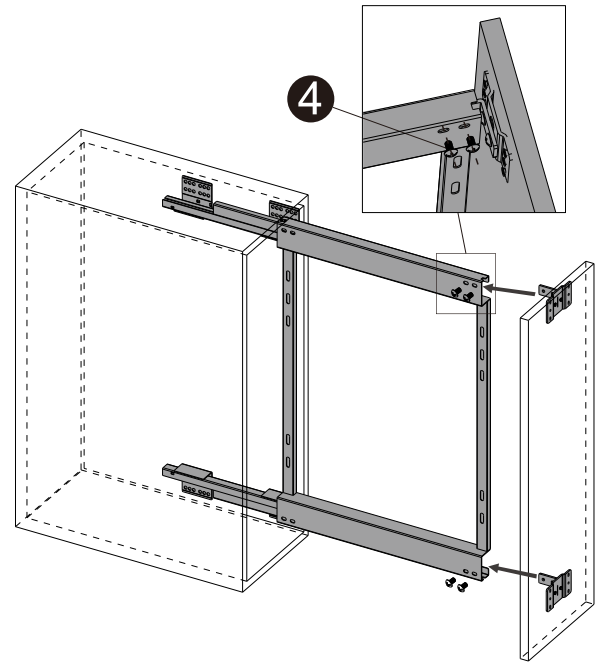


Step 2 Installation of Door Bracket

- 2.1** Drill holes as below picture shown ϕ 2.5mm, fix it to the door panel.

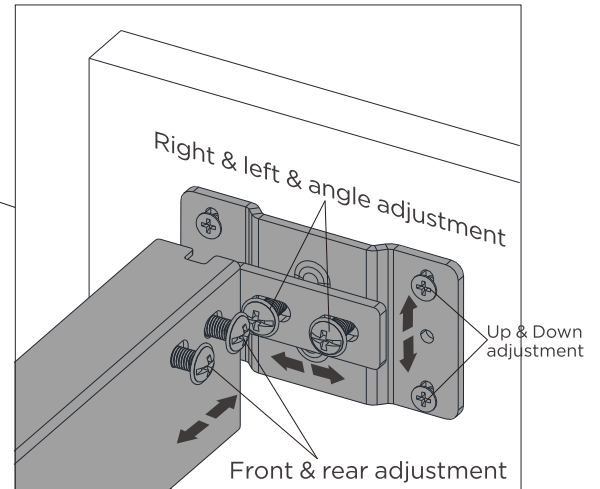
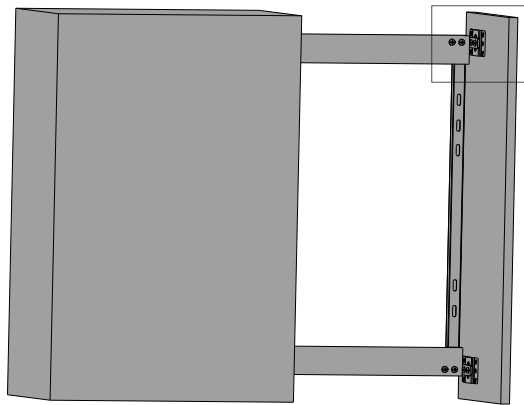


- 2.2** Adjust the holes in door bracket to the same position with the frame holes, tighten them closely



Step 3 Adjustment of Door Bracket

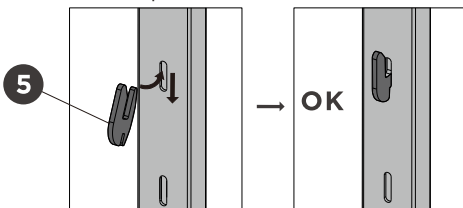
- 3.1** Adjust the door panel to the perfect position as below instruction, then tighten the screw



Step 4 Basket mounting

- 4.1** Assemble the basket hook to the hole in the frame as shown below, Complete product installation

The first step is to install the basket hook



The second step is to hang the basket

