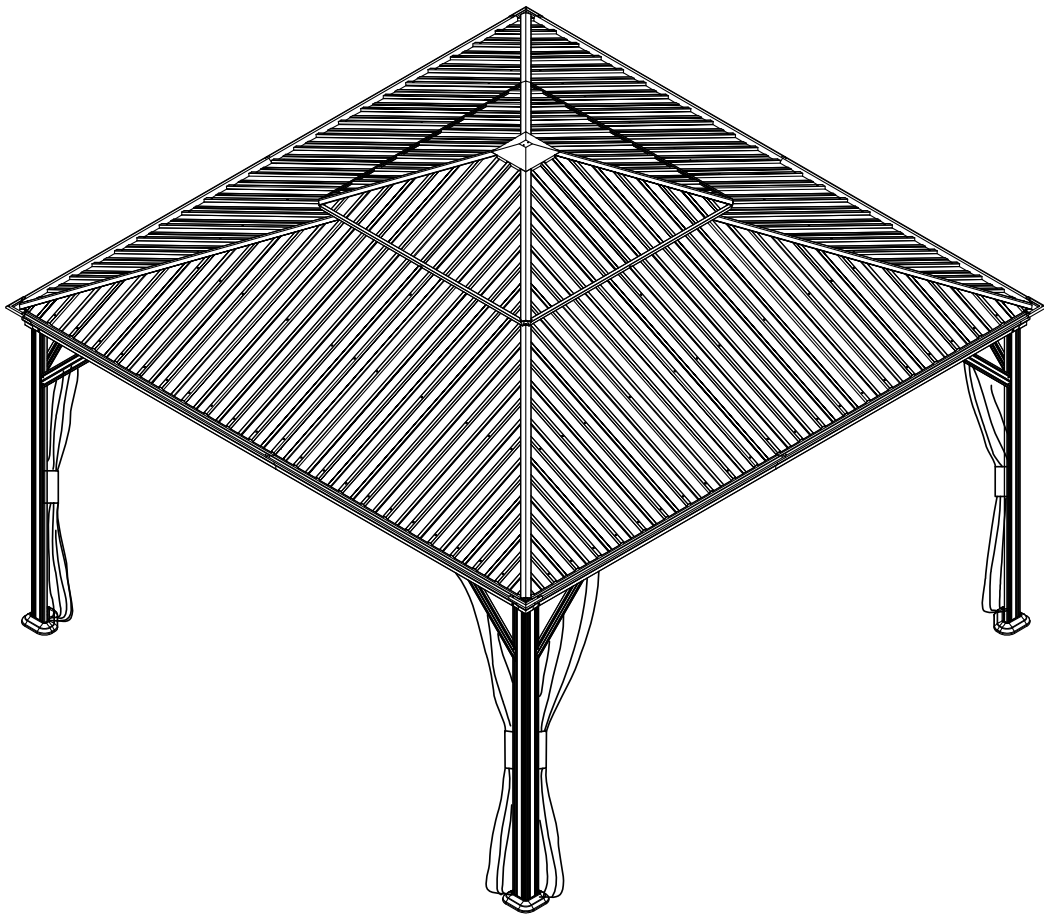




13'x13' Metal Patio Gazebo

ASSEMBLY MANUAL



MODEL#: LGMF1736

Missing part? Damaged? Contact us via email at

service@domioutdoorliving.com

www.domioutdoorliving.com

Pre-assembly



1. Two or more people are required for assembly.



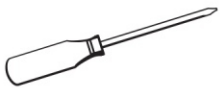
2. You will need one or more stepladders.



3. Wearing protective gloves is recommended.



4. You may need a safety hat.



5. Please use a Phillips screw driver.



6. For ease of construction, you may need a drill.



7. You may need a safety goggle.



8. Do not fully tighten screws prior to complete assembly.

Warning & Attention

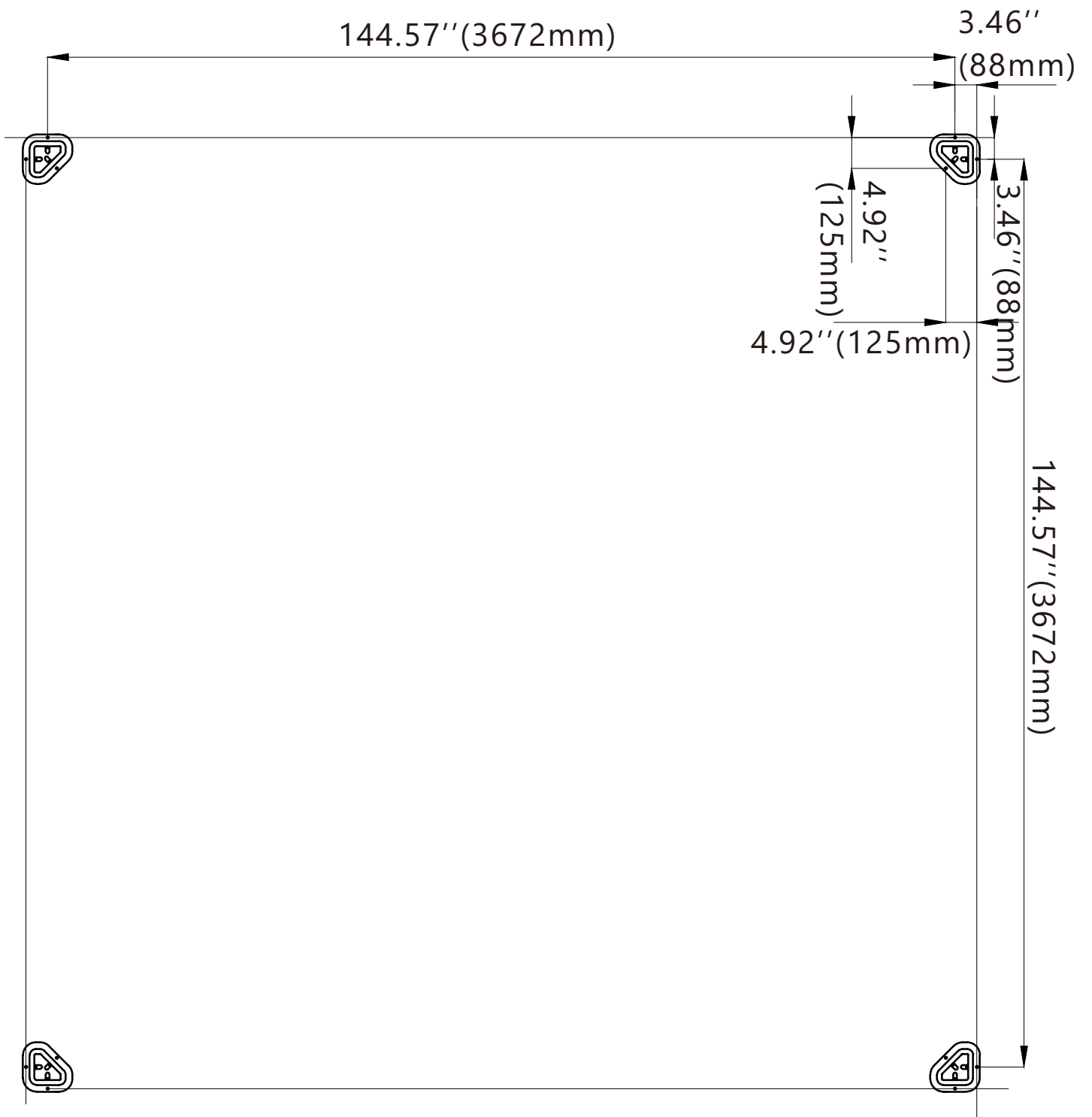
-Try to assemble this product on the flat ground, otherwise it is difficult to carry out;

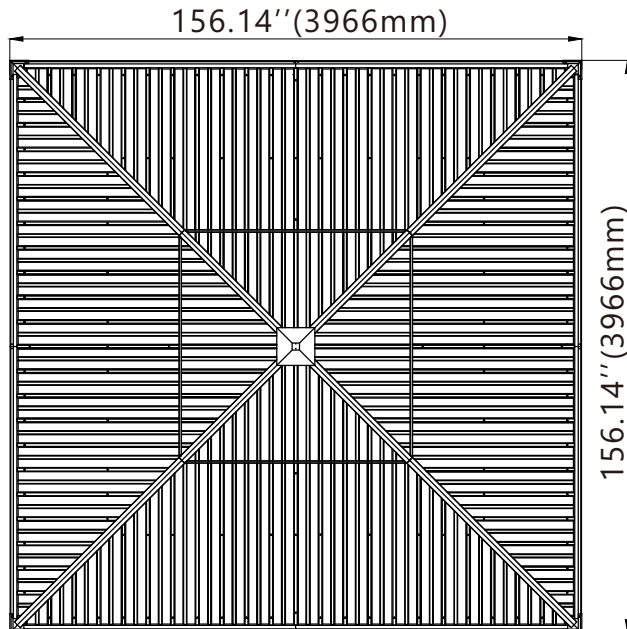
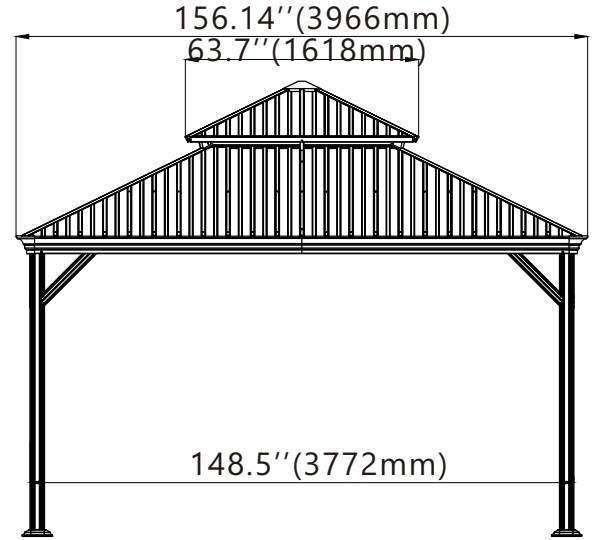
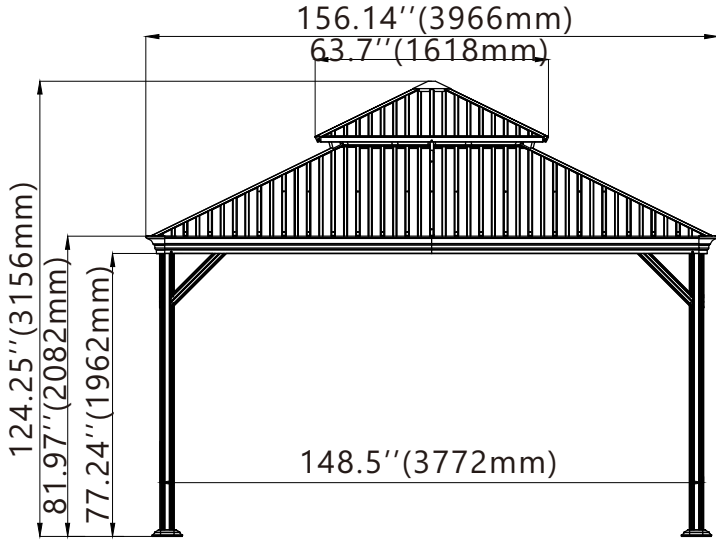
-It would be much easier to assemble the product with three or more people;

-After assembly, please check whether all screws are tightened, to prevent parts from falling apart.

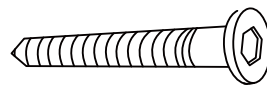
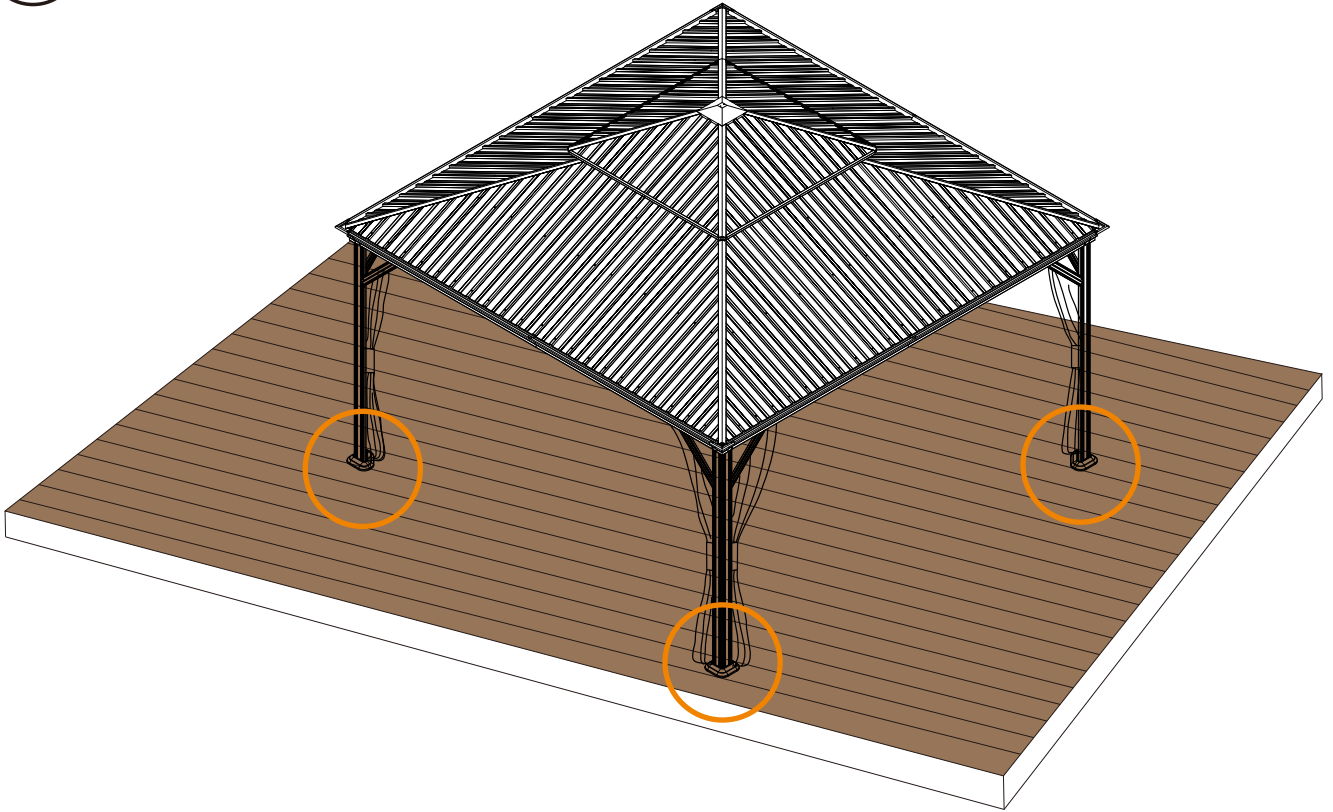
▲ Use bolts to secure the frame to the ground to against the strong wind.

IMPORTANT: A gaze may entail to purchase a municipal permit or be subject to specific building codes. It is the consumer's responsibility to inform themselves of any restrictions.



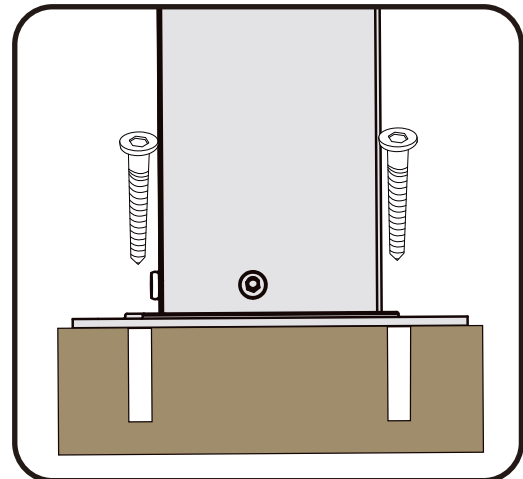
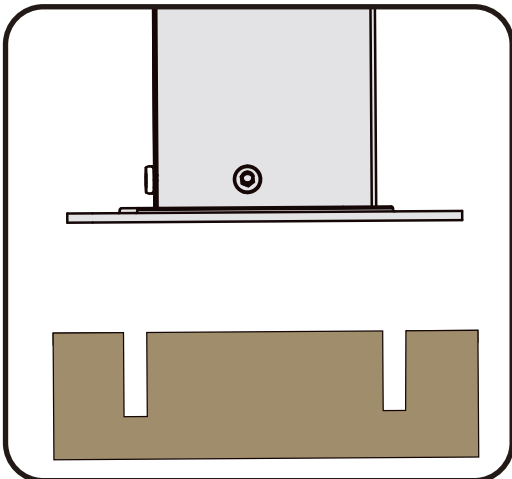


1

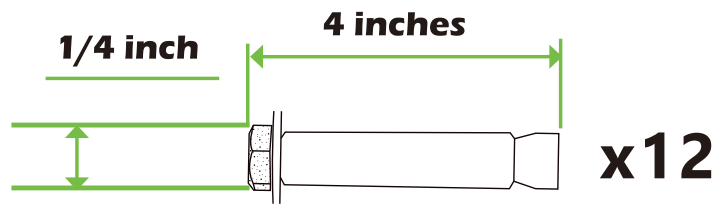
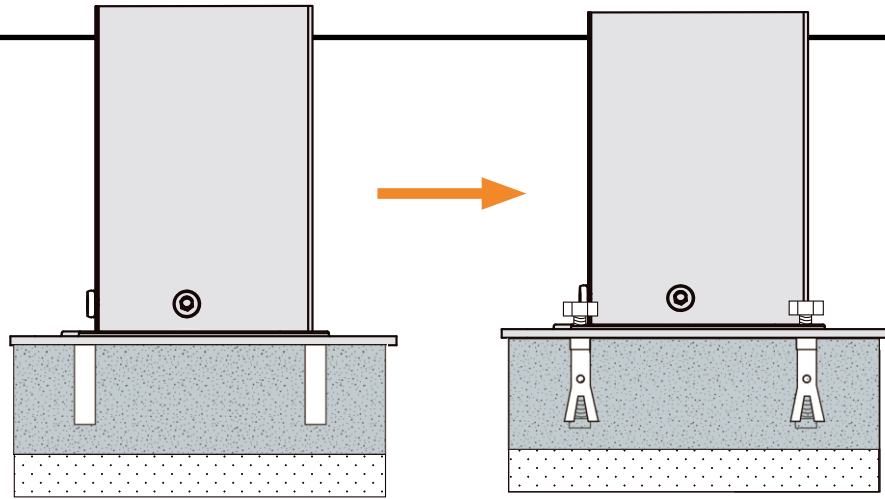


x12

If the deck is hard wood and the depth of it is over 3 inch, you can use **5/16 in. x4 in. Structural Wood Screw** to mount the gazebo.

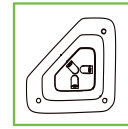
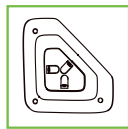


2



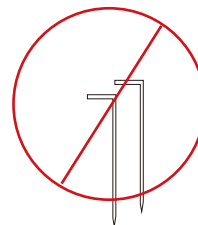
If the ground is concreted and the depth of it is over 3 inch, you can use 1/4 inch expansion bolts to mount the gazebo

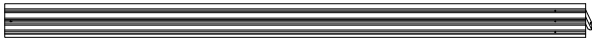
3



Or you can make a concrete footing for gazebo, **15×15×15 inches** is recommended. use expansion bolts to mount the pergola like ② shows.

IMPORTANT:
Anchor is not recommended





Pole

2080

A (x4)



Joint Cover

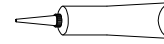
G (x4)



Beam

1886

B2 (x4)



Silicone Sealant

H (x1)



Beam

1886

B3 (x4)



Corner Solidifying Bar⁵⁷⁸

J1 (x4)



Track

1754

C2 (x4)



Corner Solidifying Bar⁵⁷⁸

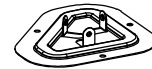
J2 (x4)



Track

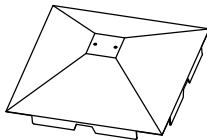
1754

C3 (x4)



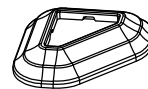
Base

K (x4)



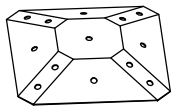
Outside Roof Cover

D1 (x1)



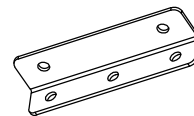
Base Cover

K1 (x4)



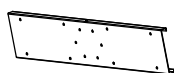
Inside Roof Cover

D2 (x1)



Bracket

K2 (x8)



Union Bar

600

E (x4)



Corner Roof Tube Connector

1116

L (x4)



Corner Cover

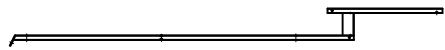
F (x4)



Corner Roof Tube

1960

L1 (x4)



Roof Bar

2117

M (x4)



Bracket

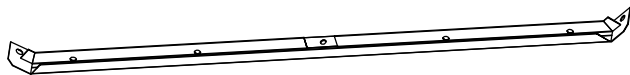
U4 (x4)



Finishing Bar

1306

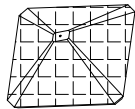
N (x4)



Finishing Bar

1590

O (x4)



Small Mesh

P (x1)



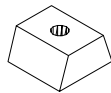
Finishing End

Q (x8)



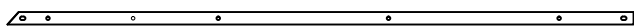
Hooks

R1 (x1)



Black Rubber

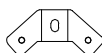
S (x132)



1255

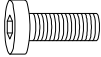
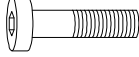
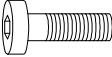


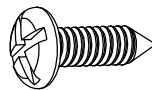

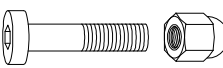
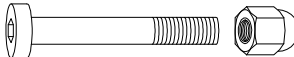
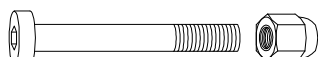
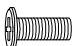
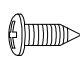
Solidifying Bar

U (x8)

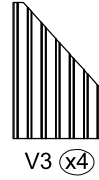
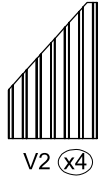


Bracket

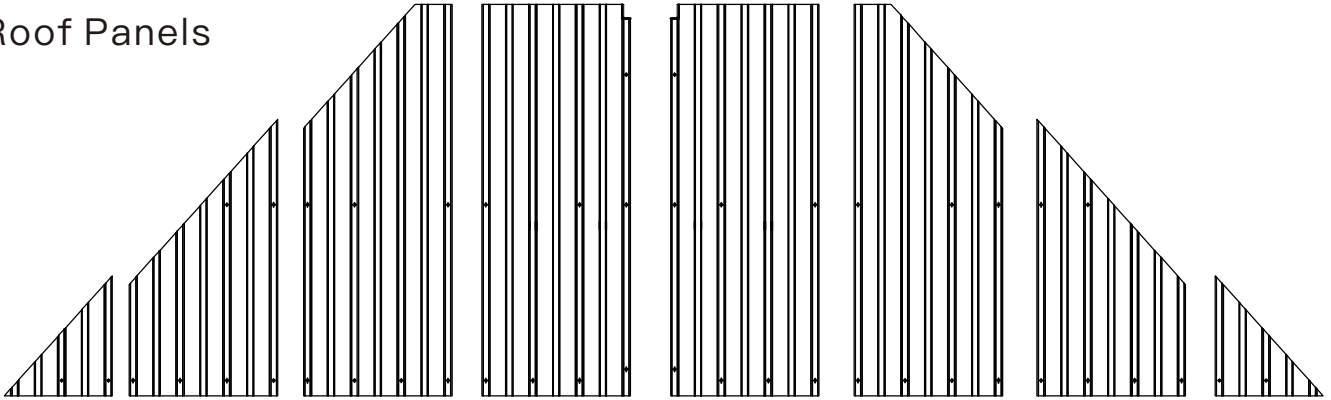
U3 (x4)

 <p>M6x16</p> <p>1# x184</p>	 <p>M6x25</p> <p>10# x4</p>
 <p>M6x20</p> <p>2# x24</p>	 <p>M6x12</p> <p>11# x8</p>
 <p>3# x16</p>	 <p>ST6.3*18</p> <p>12# x12</p>
 <p>Plastic Hooks</p> <p>4# x128</p>	
 <p>M6x28</p> <p>5# x80</p>	
 <p>M6x45</p> <p>6# x8</p>	
 <p>M6x50</p> <p>7# x40</p>	
 <p>M5x16</p> <p>8# x4</p>	
 <p>ST4.8x13</p> <p>9# x24</p>	

Roof Panels



Roof Panels



W1 (x4)

W2 (x4)

W3 (x4)

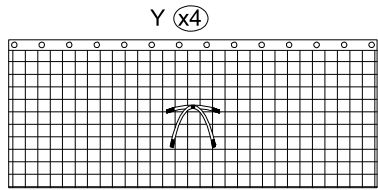
W4 (x4)

W5 (x4)

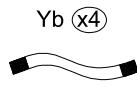
W6 (x4)

W7 (x4)

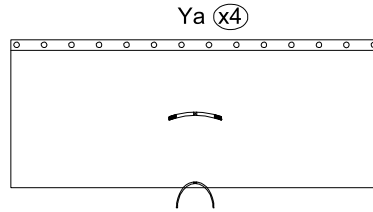
W8 (x4)



Mosquito Netting

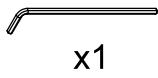
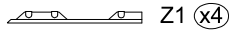


Strap

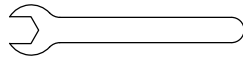


Curtains

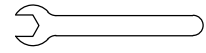
Plastic Clips



x1



x1



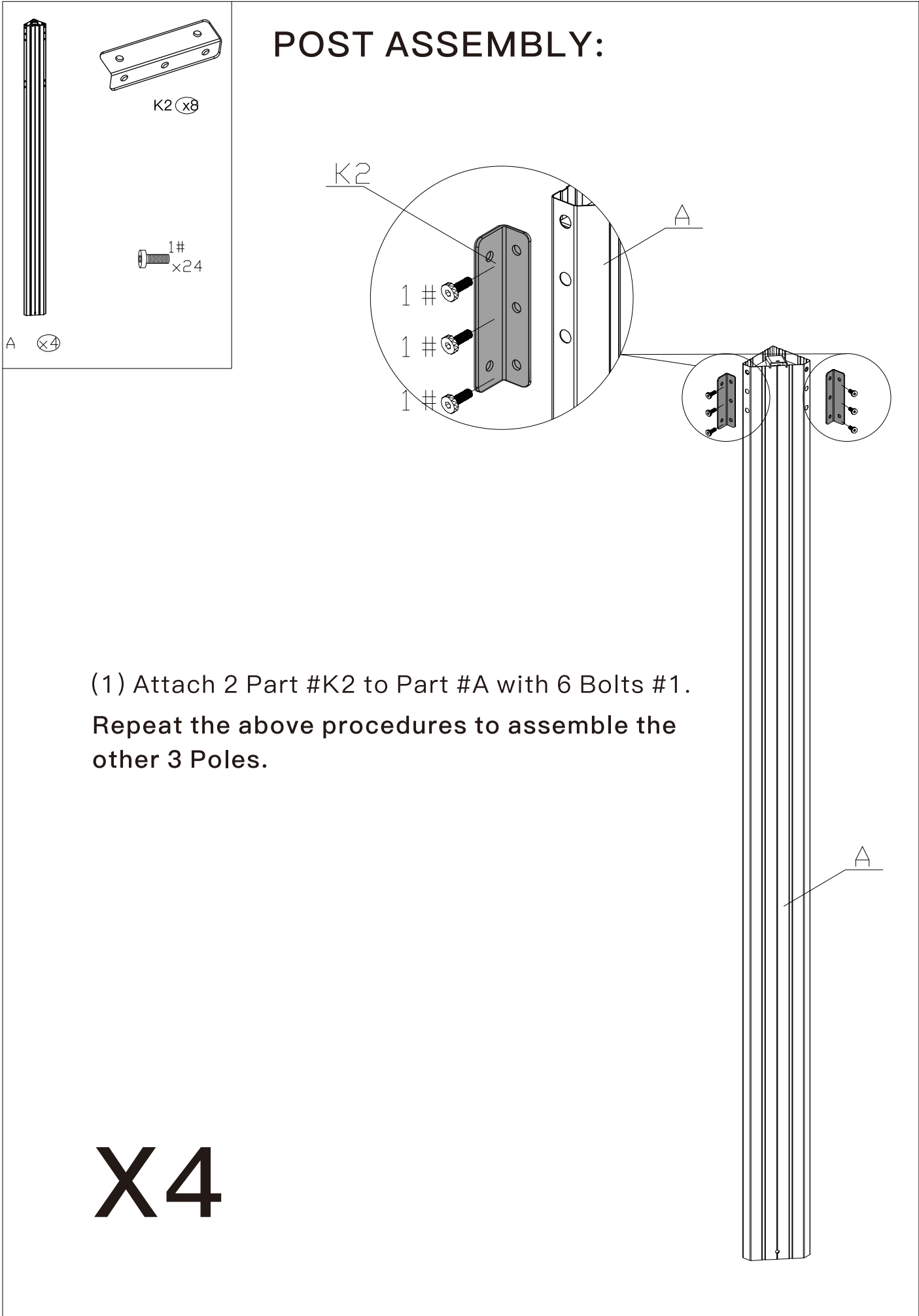
x1



Plastic Bar

Pa (x4)

POST ASSEMBLY:

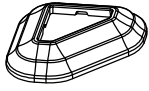


(1) Attach 2 Part #K2 to Part #A with 6 Bolts #1.
Repeat the above procedures to assemble the other 3 Poles.

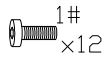
X4



K (x4)



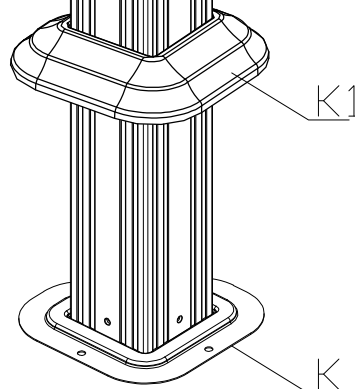
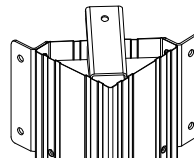
K1 (x4)



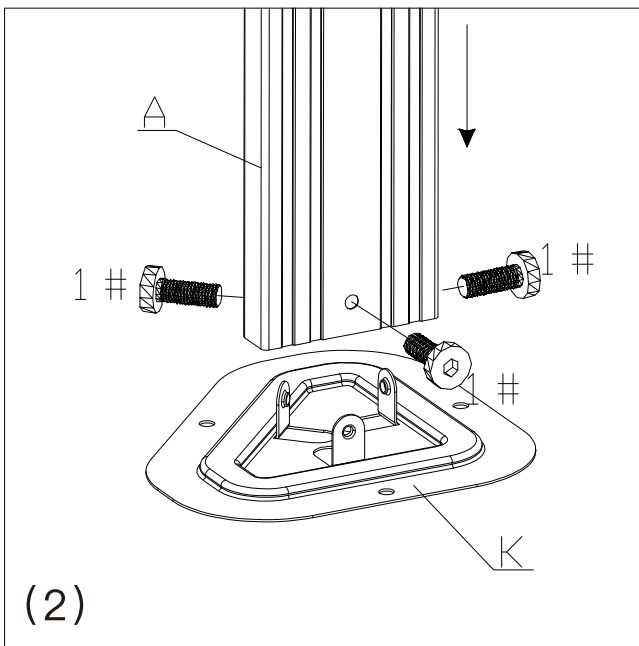
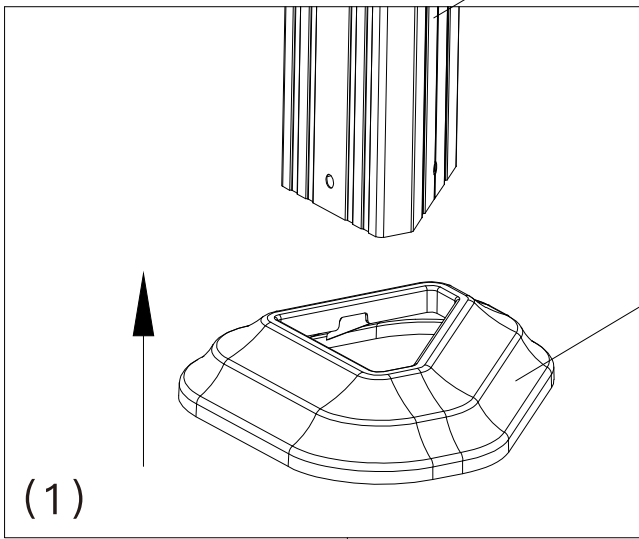
1# x12

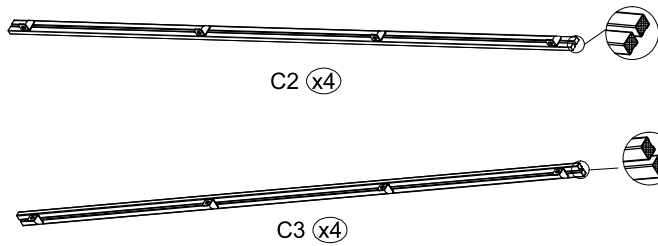
(1) Put on Base Cover #K1 first;

(2) Attach Base #K to Pole #A with 3 Bolts #1.

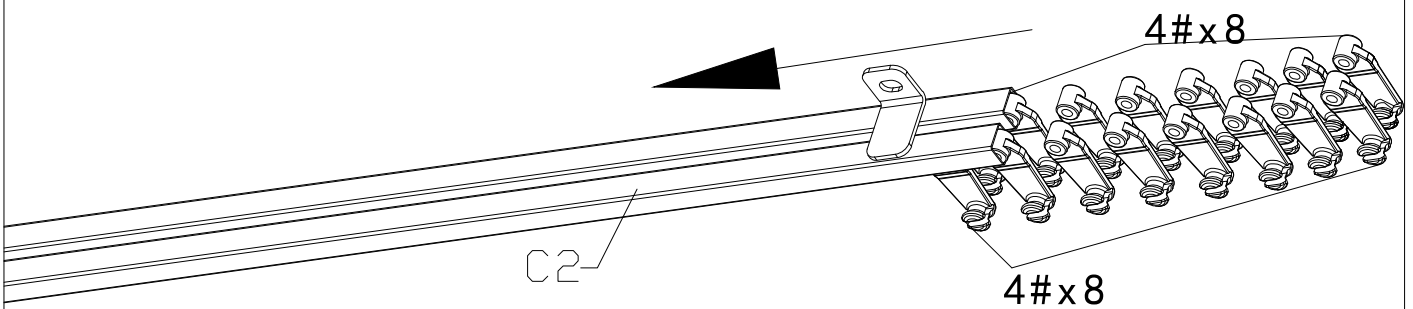


X4

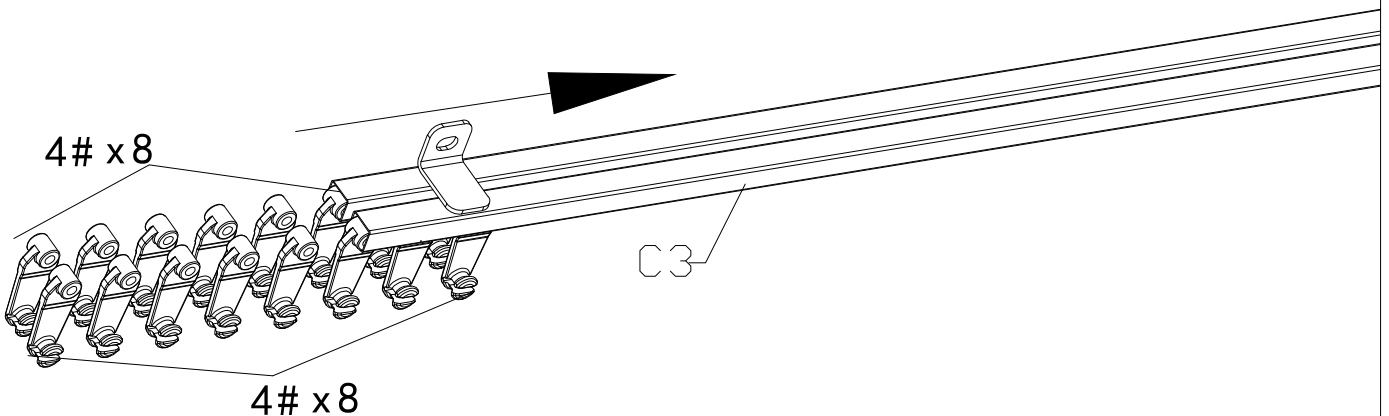




- (1) Slide the Plastic Hooks #4 to the double-rail track#C2(each slot should slide 8 plastic hooks).
- (2) Repeat the above procedures for the other 3 tracks C2.

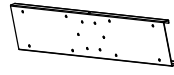


- (3) Slide the Plastic Hooks #4 to the double-rail track#C3(each slot should slide 8 plastic hooks).
- (4) Repeat the above procedures for the other 3 tracks C3.





B2 (x4)



E (x4)

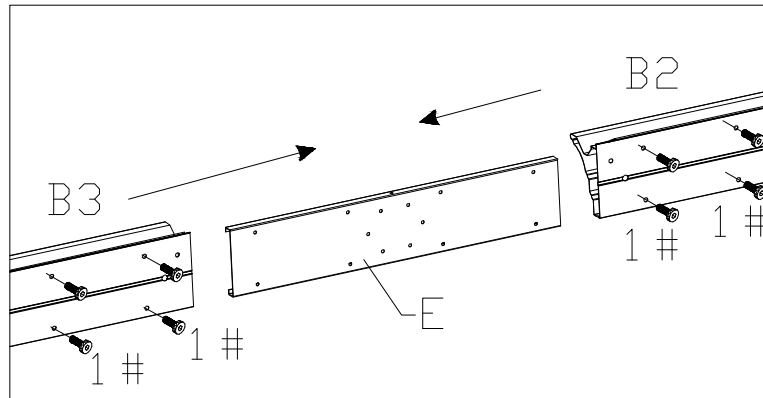


1#
x32



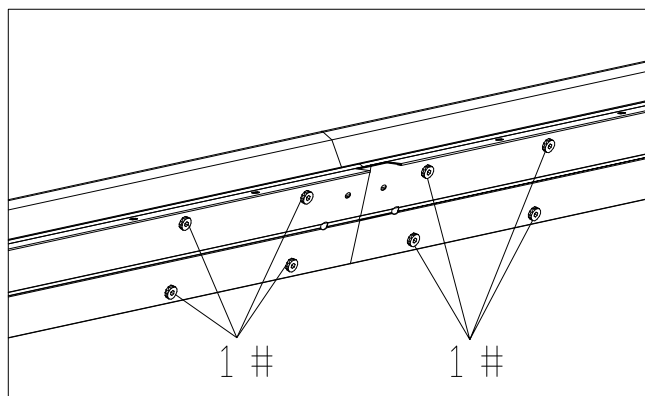
B3 (x4)

BEAM ASSEMBLY

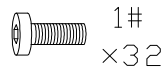


- (1) Insert Part #E into Part #B3, and secure with 4 Bolts #1.
- (2) Insert the other side of Part #E into Part #B2 and secure with 4 Bolts #1.

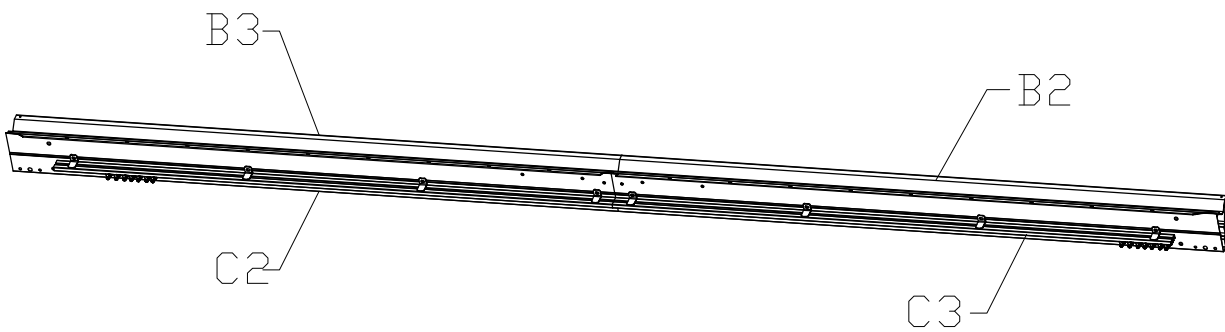
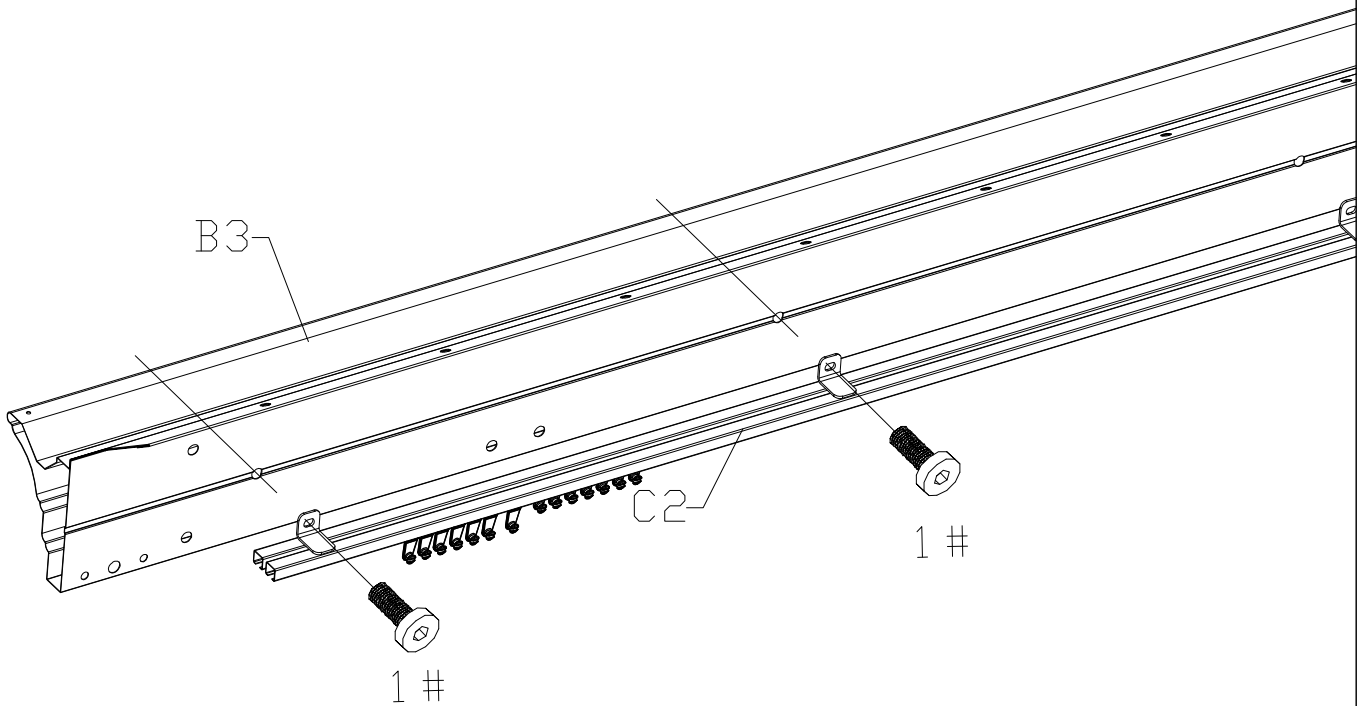
Repeat the above procedures to assemble the other Part #B3 and #B2.



TIPS: It's a normal situation that there's a gap between the 2 beams, please use silicone sealant(part #H) and Joint Cover #G to affix the gap.(see P9)

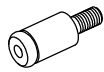


Use 8 Bolts #1 to fix the track C2 & C3 to the beam B3 & B2.
Repeat the above procedures for other 3 beams B2 & B3.



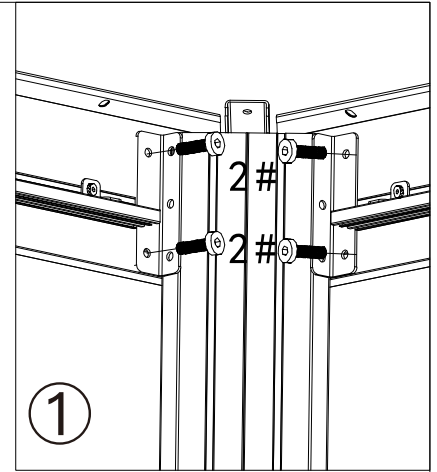


2#
x16

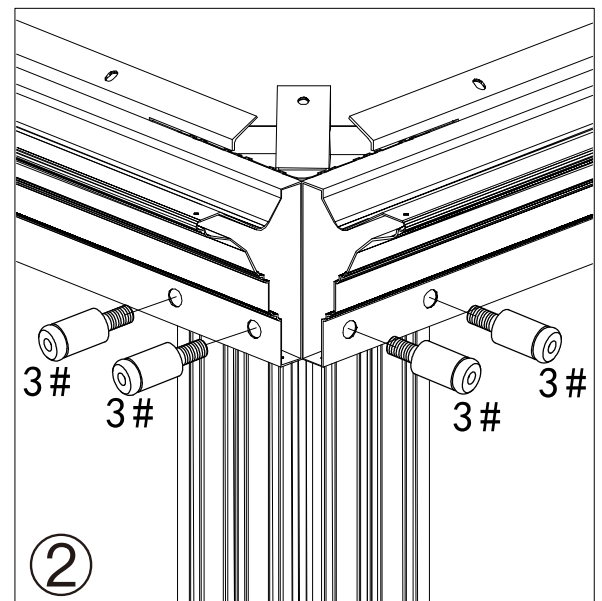
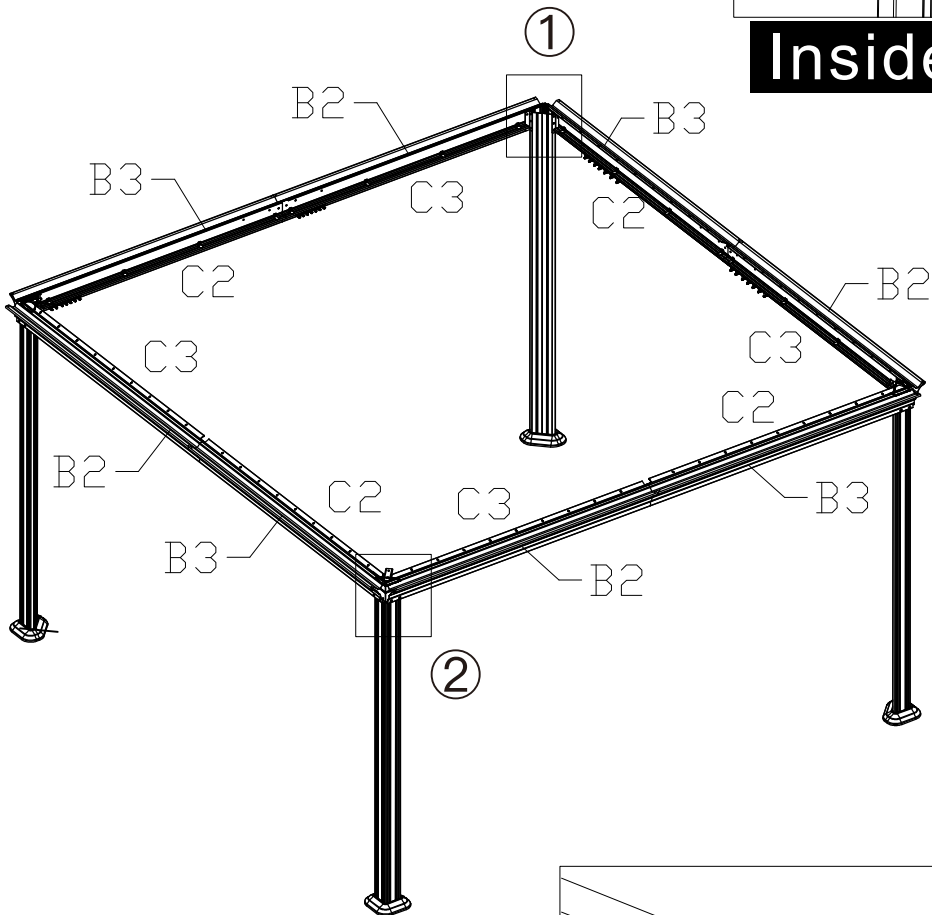


3#
x16

FRAME ASSEMBLY:

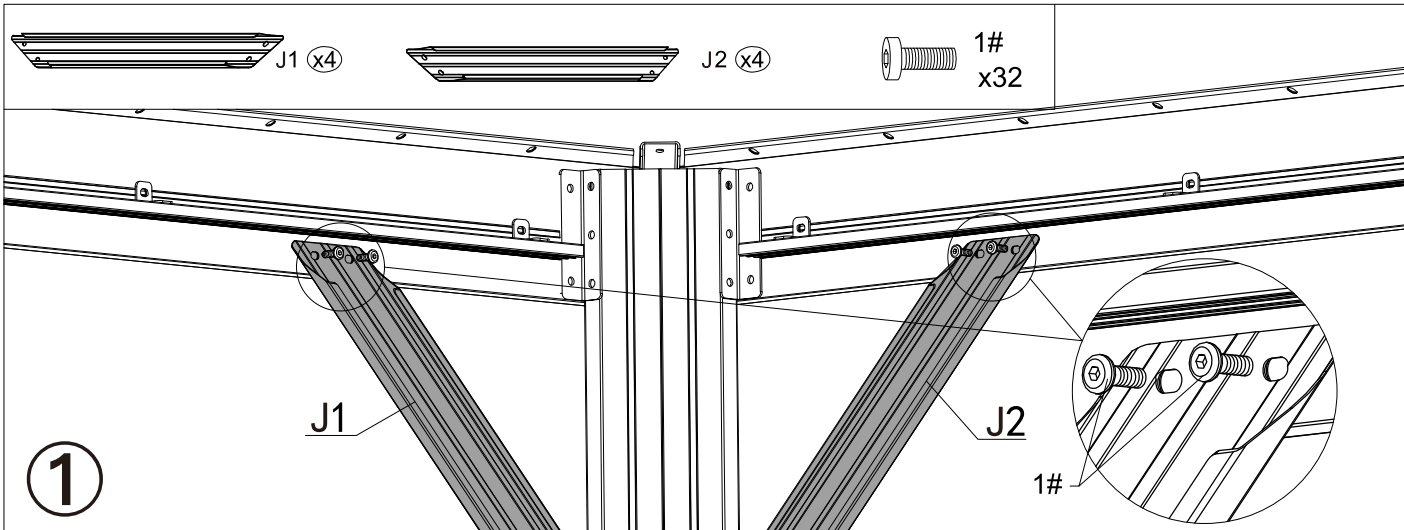


Inside View



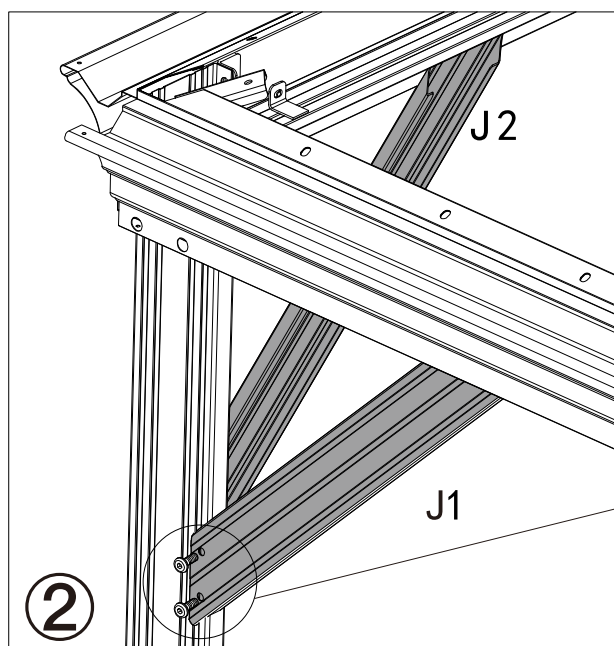
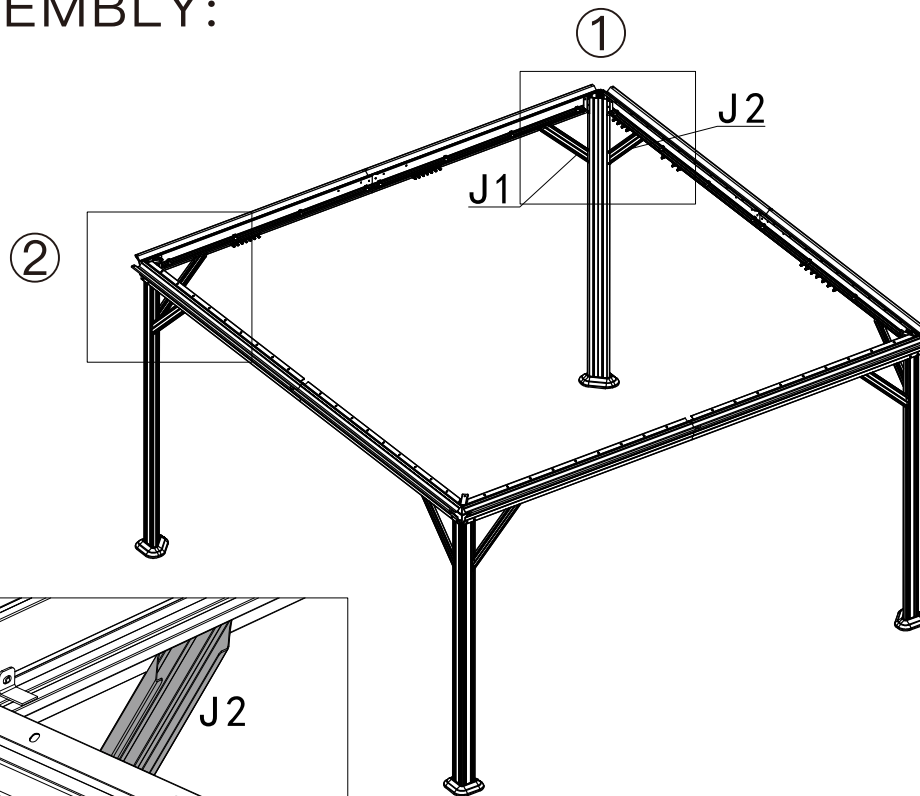
Outside View

Please don't tighten
all bolts.



Inside View

CORNER SOLIDIFYING
BAR ASSEMBLY:



Outside View

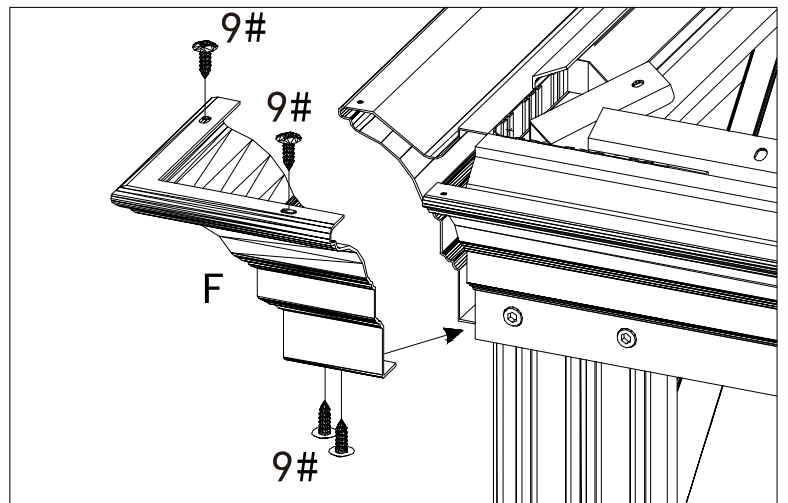
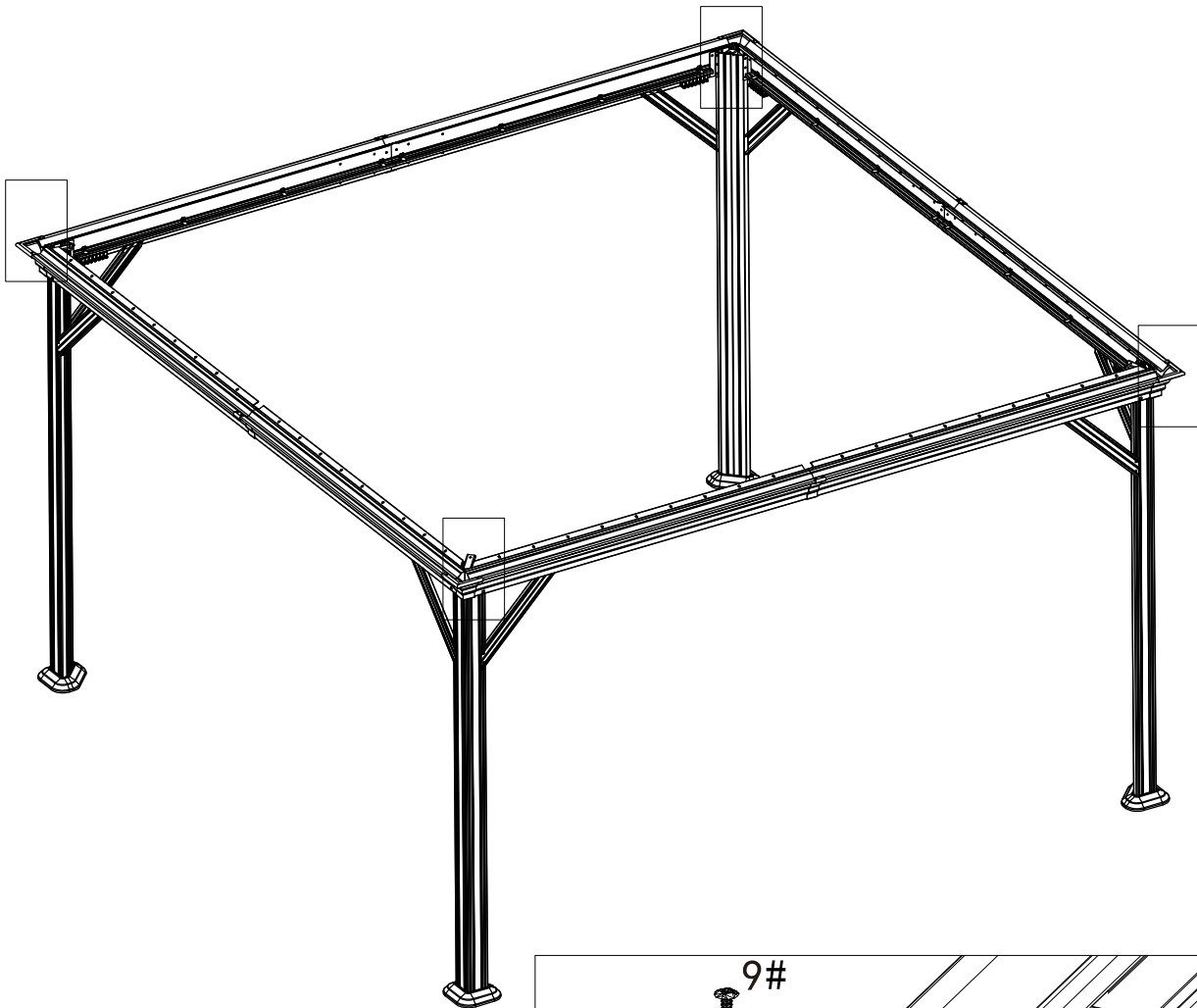


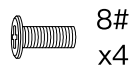
F (x4)



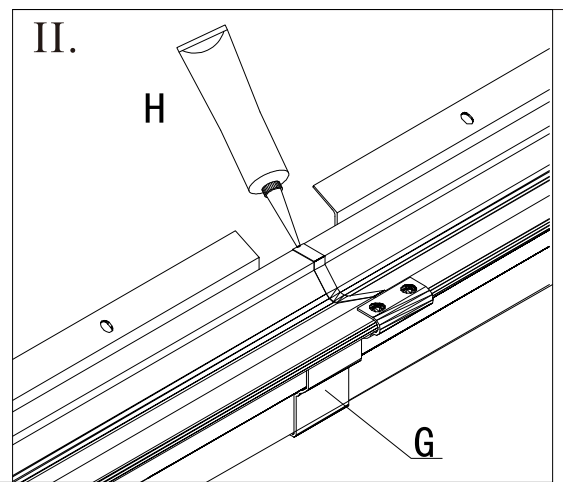
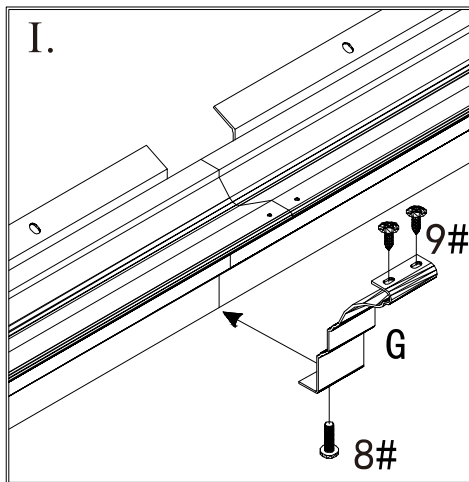
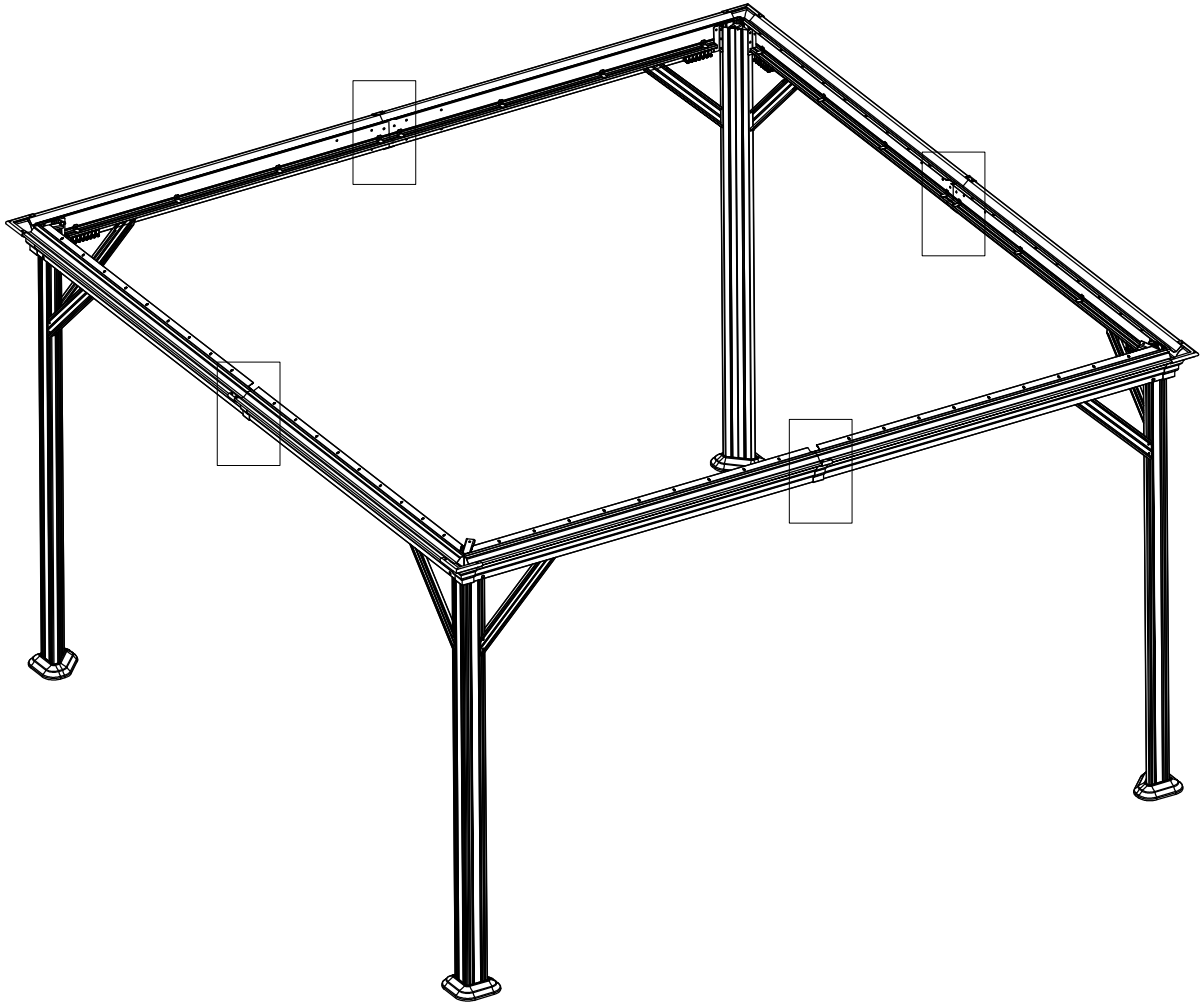
9#
x16

CORNER COVER & JOINT COVER ASSEMBLY:





Use 5mm silicone sealant(part #H) and Joint Cover #G to affix the gap.

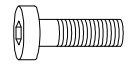




L (x4)

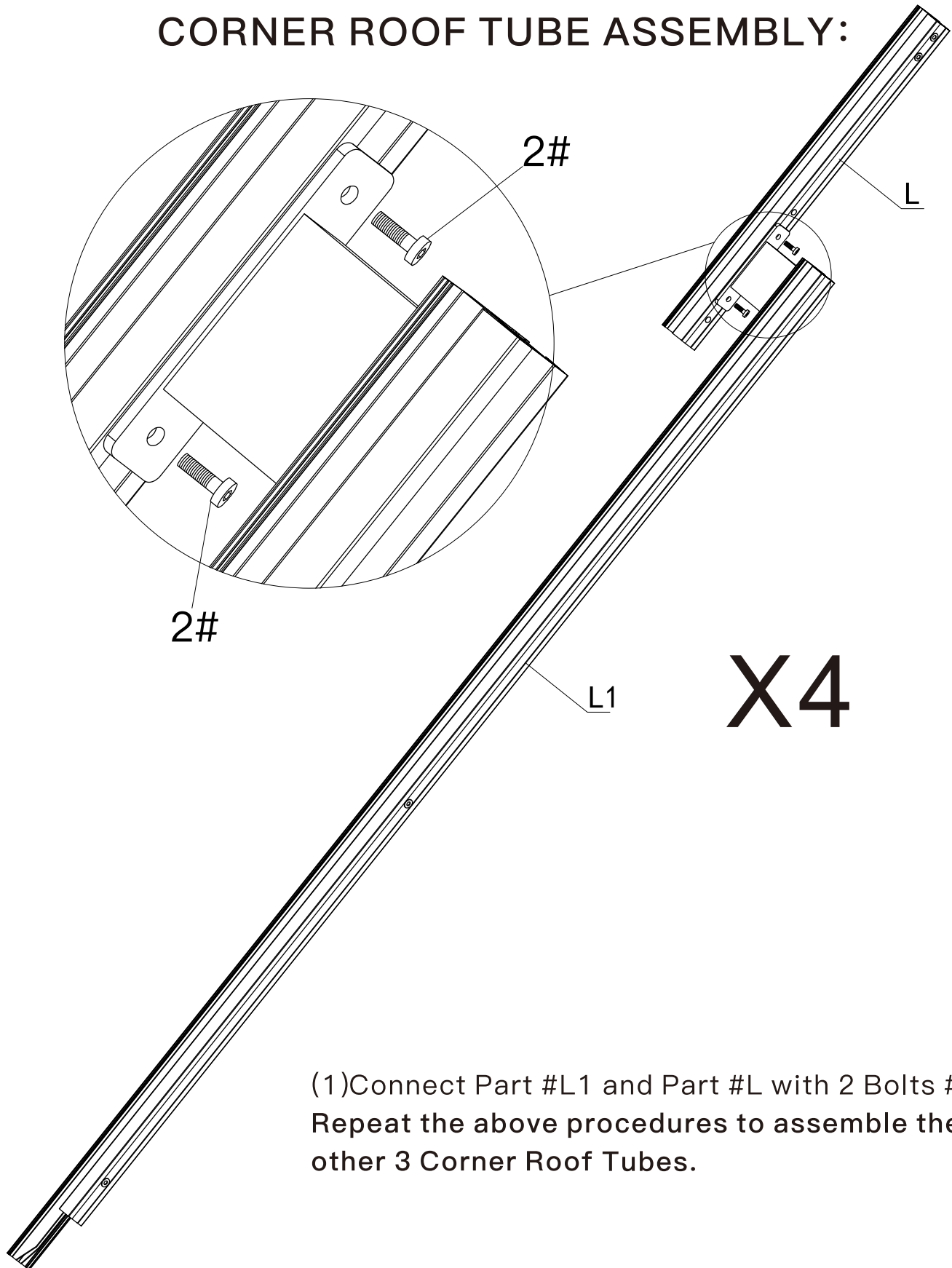


L1 (x4)

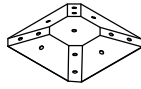


2#
x8

CORNER ROOF TUBE ASSEMBLY:

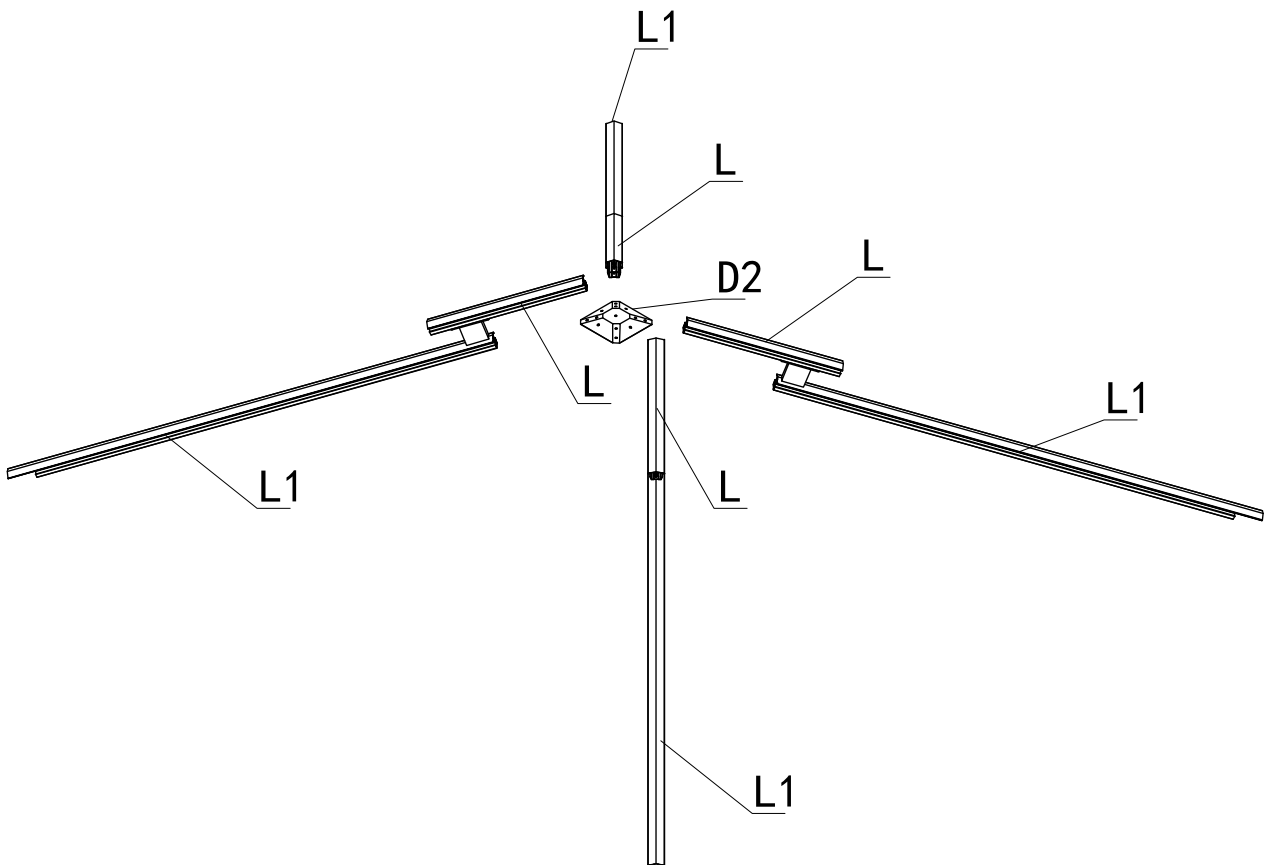


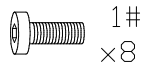
(1) Connect Part #L1 and Part #L with 2 Bolts #2.
Repeat the above procedures to assemble the
other 3 Corner Roof Tubes.



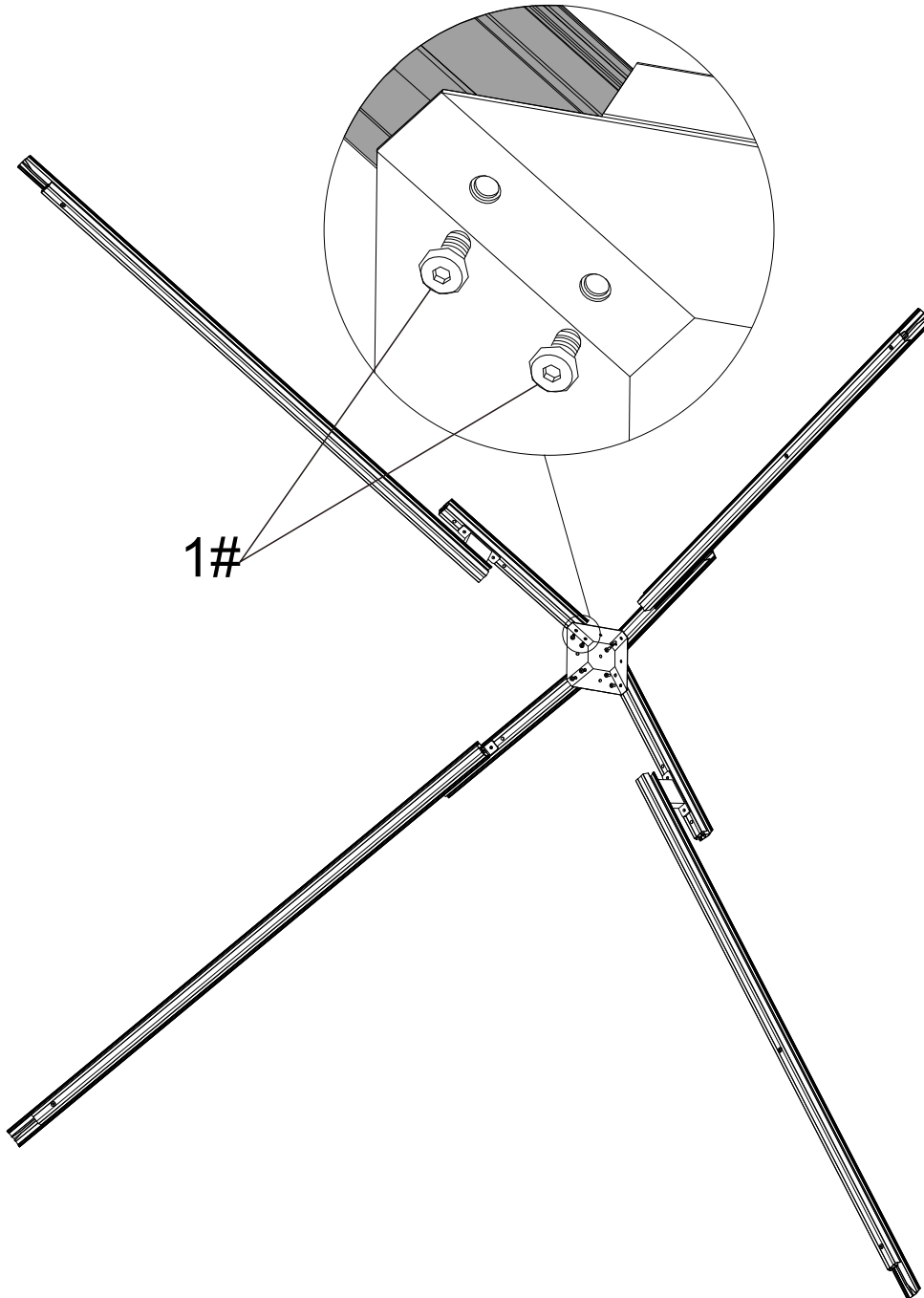
D2 (x1)

CORNER ROOF TUBE AND INSIDE ROOF CONNECTOR ASSEMBLY:





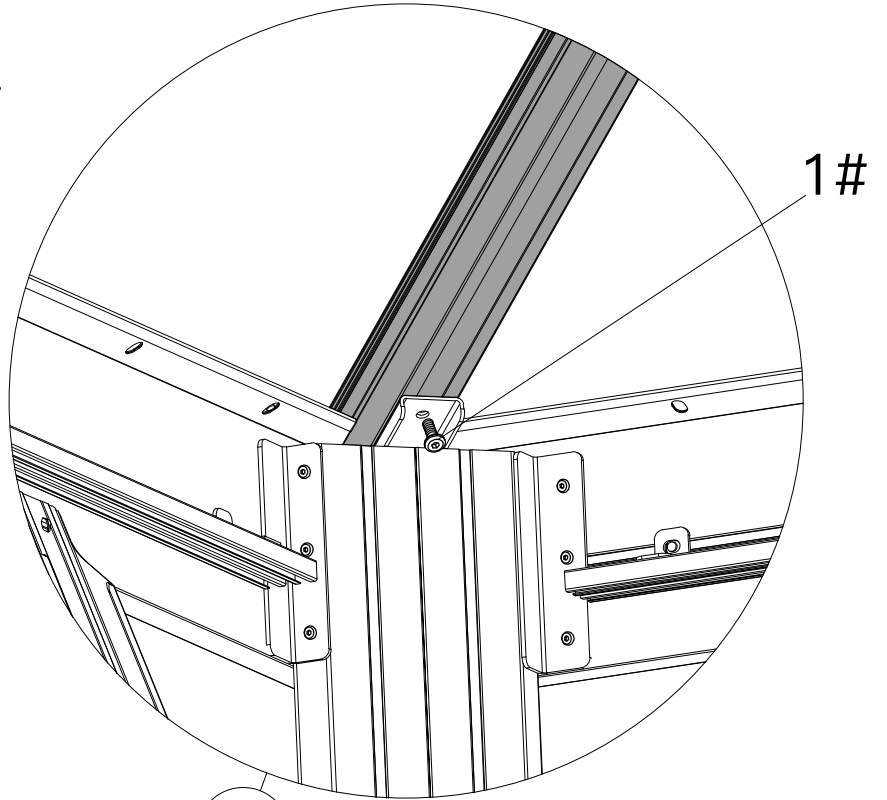
Place 4 Corner Roof Tubes on the 4 corners of Inside Roof Cover #D2, secure with 8 Bolts #1 (from bottom to top).



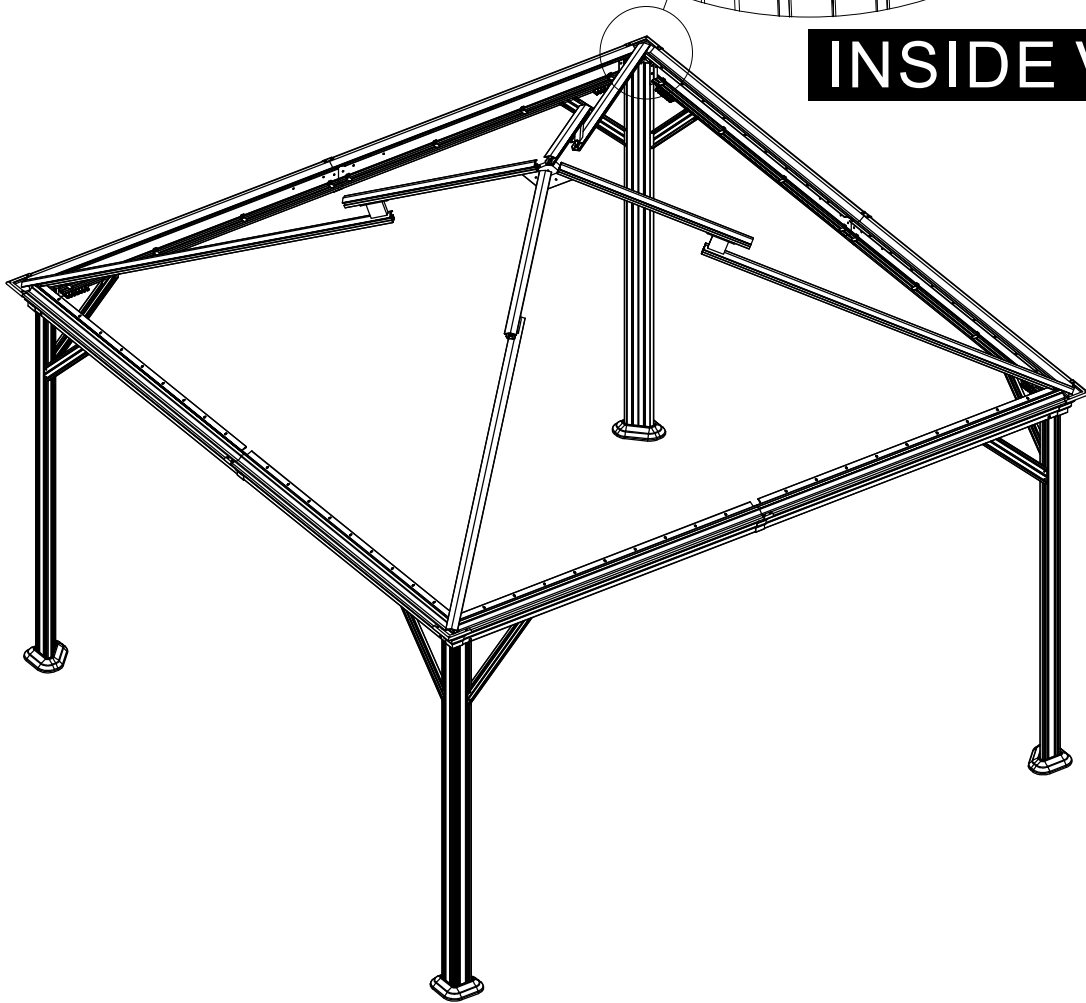
Lift 4 corner roof Tubes and inside roof connector to the top of the frame.(You may need 2 people and 2 ladders).

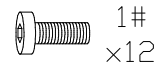
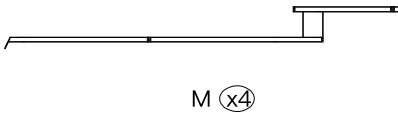
1#
×4

Secure with 4 Bolts #1.

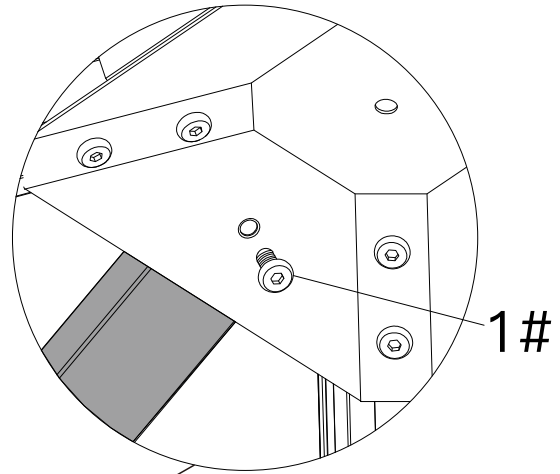


INSIDE VIEW

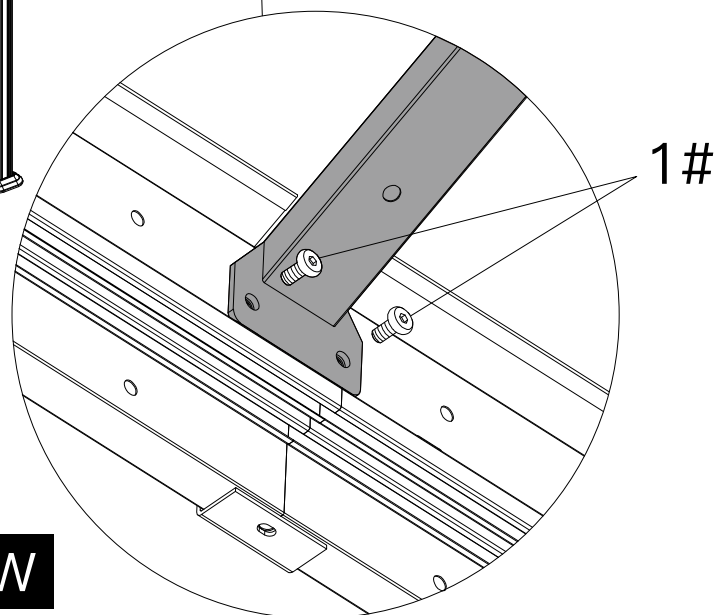
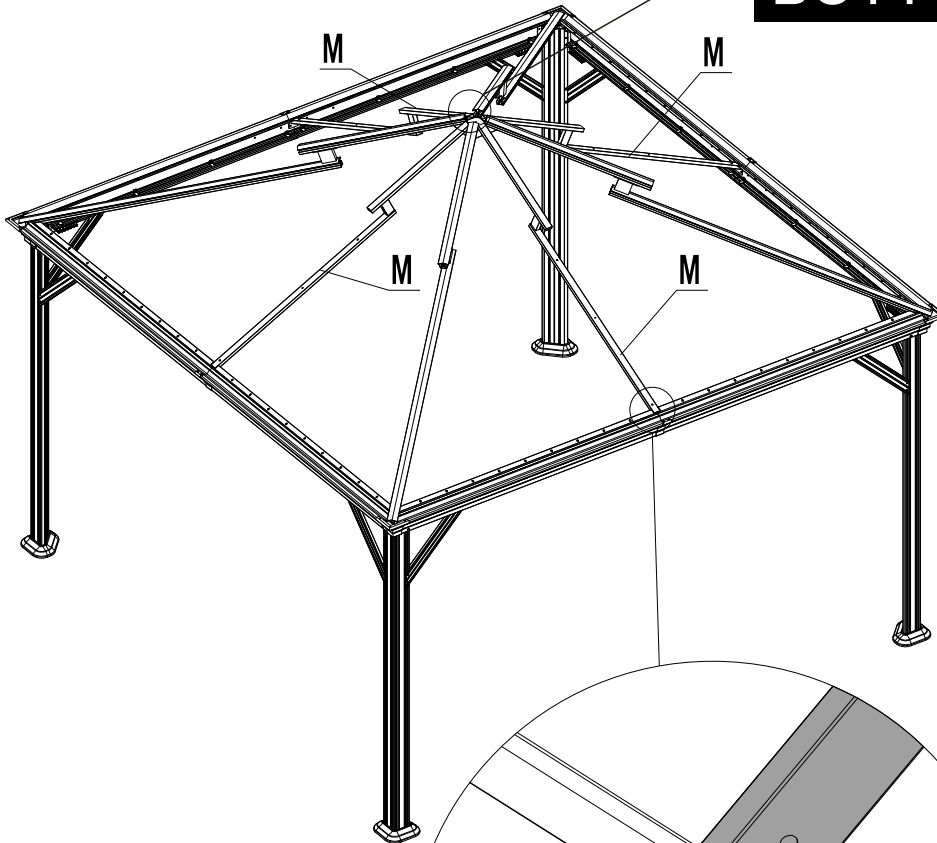




MIDDLE ROOF TUBE ASSEMBLY:

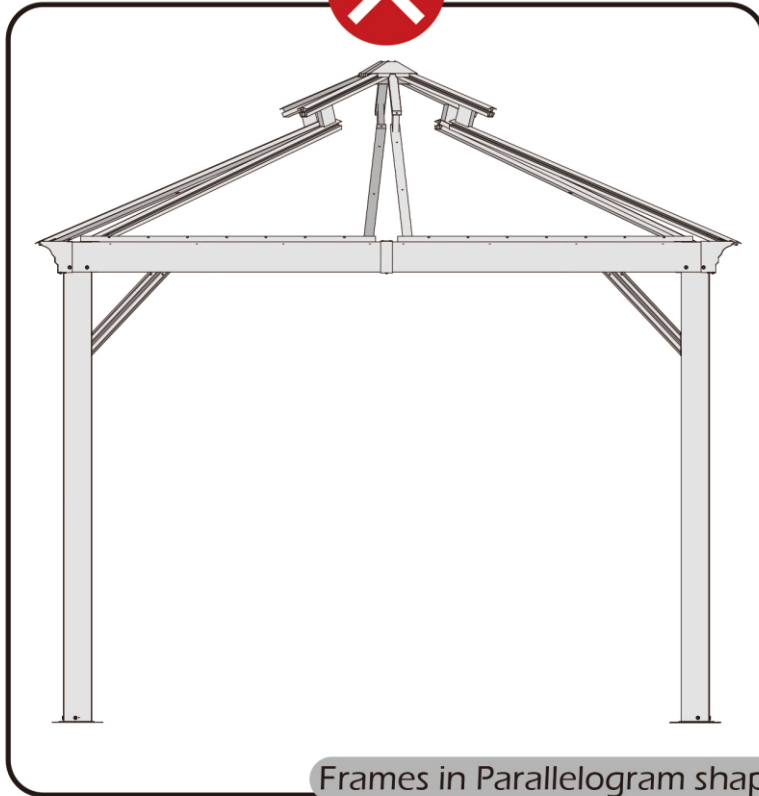


BOTTOM VIEW

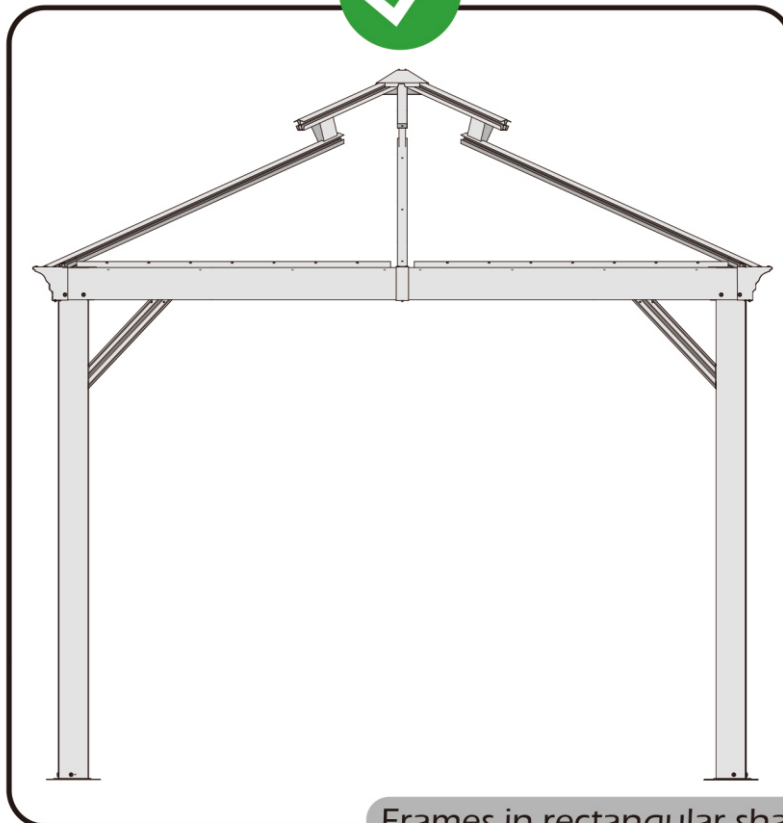


INSIDE VIEW

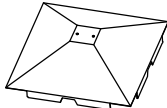
Check the the frame as pictures below shows.



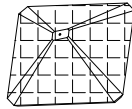
Frames in Parallelogram shape



Frames in rectangular shape



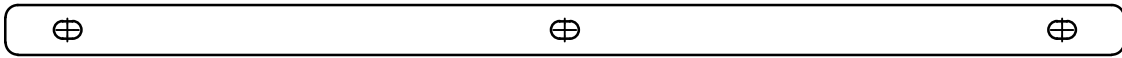
D1 (x1)



P (x1)



R1 (x1)



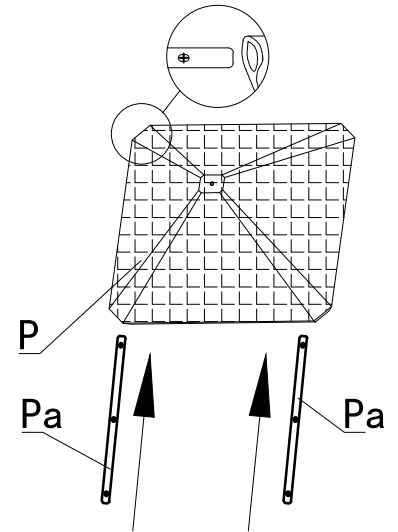
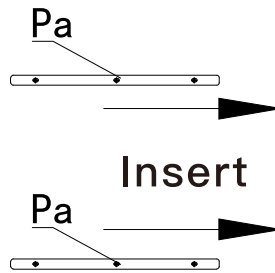
Pa (x4)

OUTSIDE ROOF COVER AND MESH ASSEMBLY :

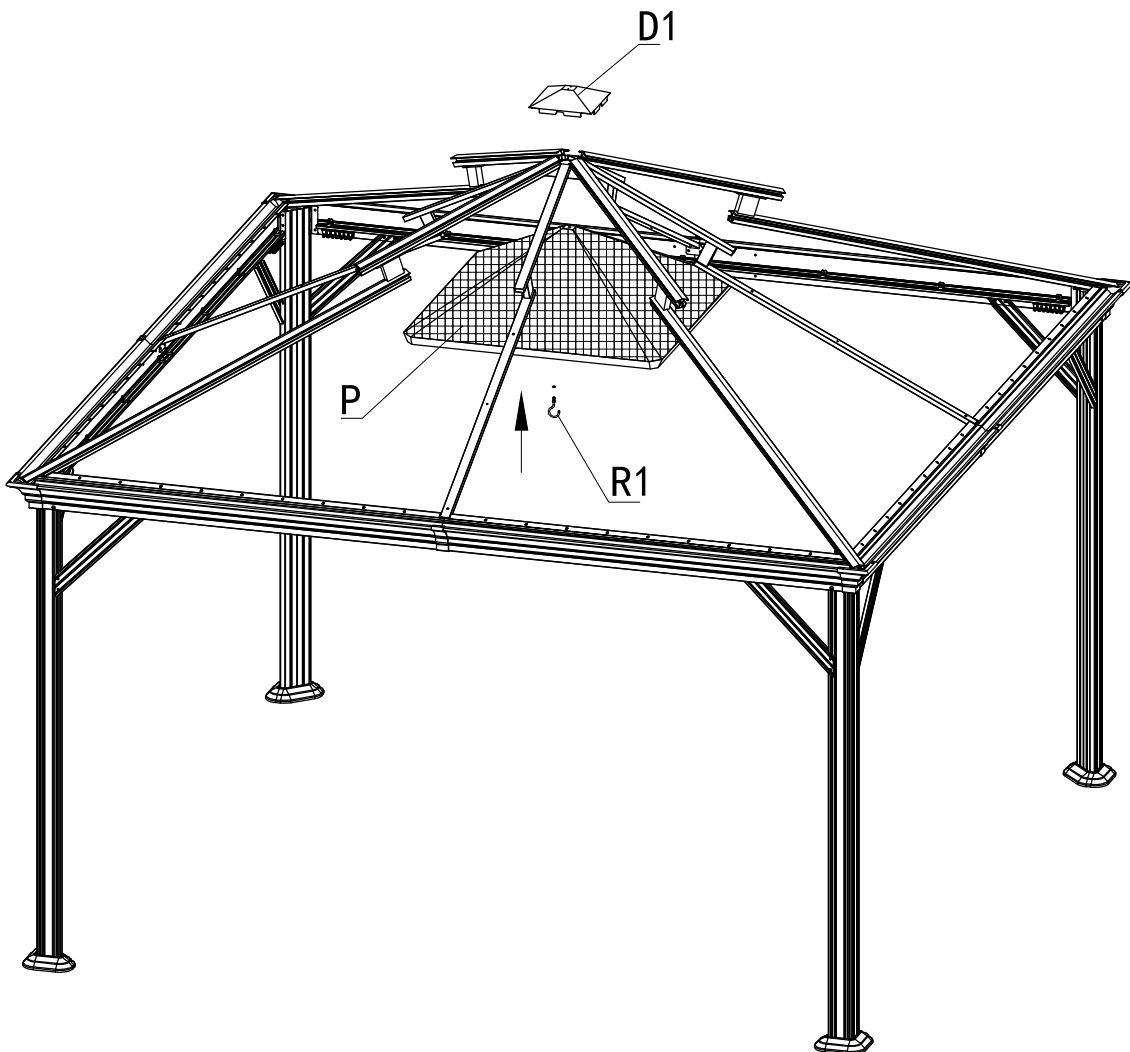
(1) Install the Plastic Bar #Pa to the Mesh #P.

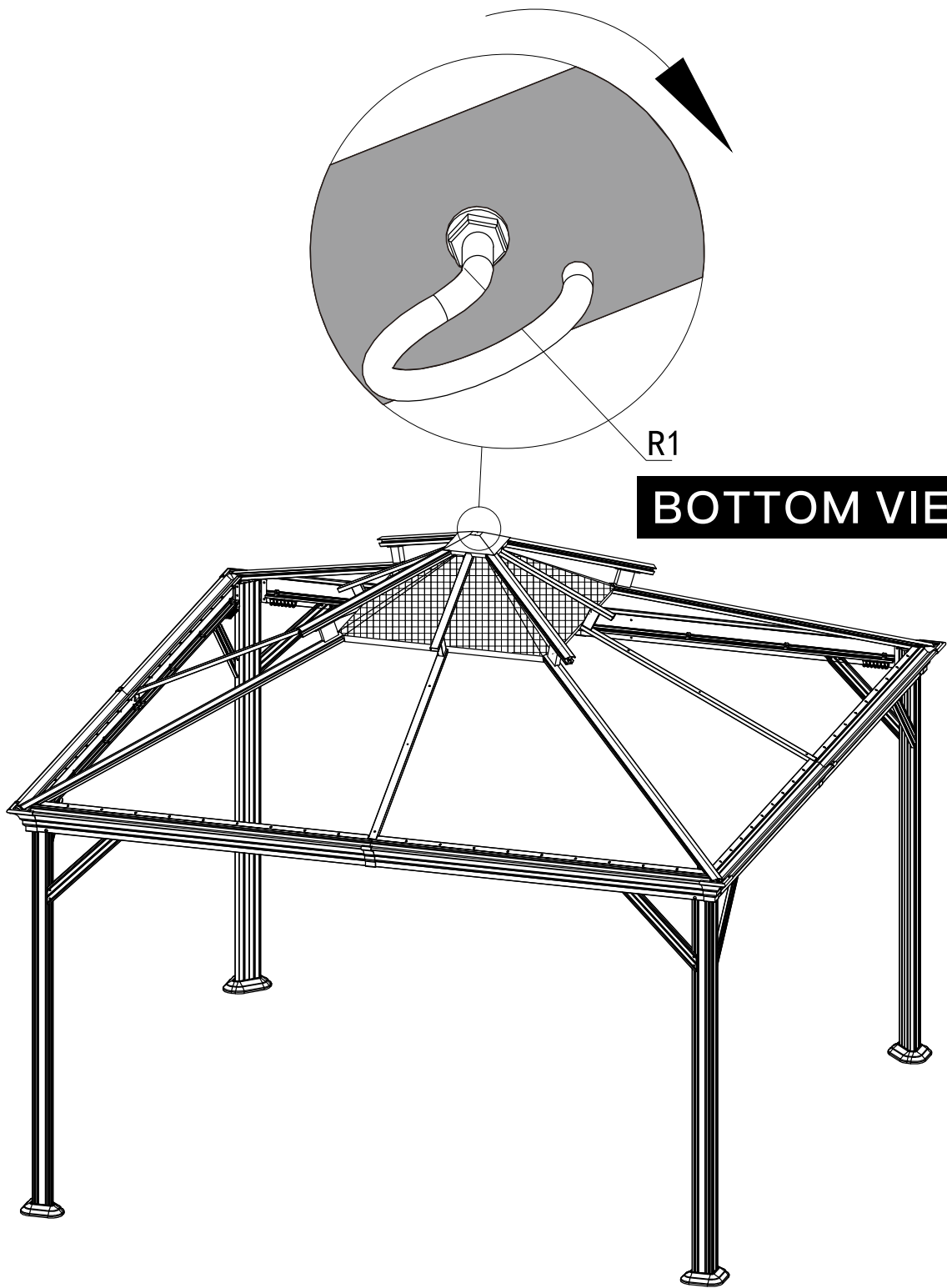
(2) Place the Outside Roof Cover on the inside Roof Cover.

(3) Align the holes and use 1 Hook #R1 to secure Mesh #P to the inside Roof Cover (From Bottom to Top).



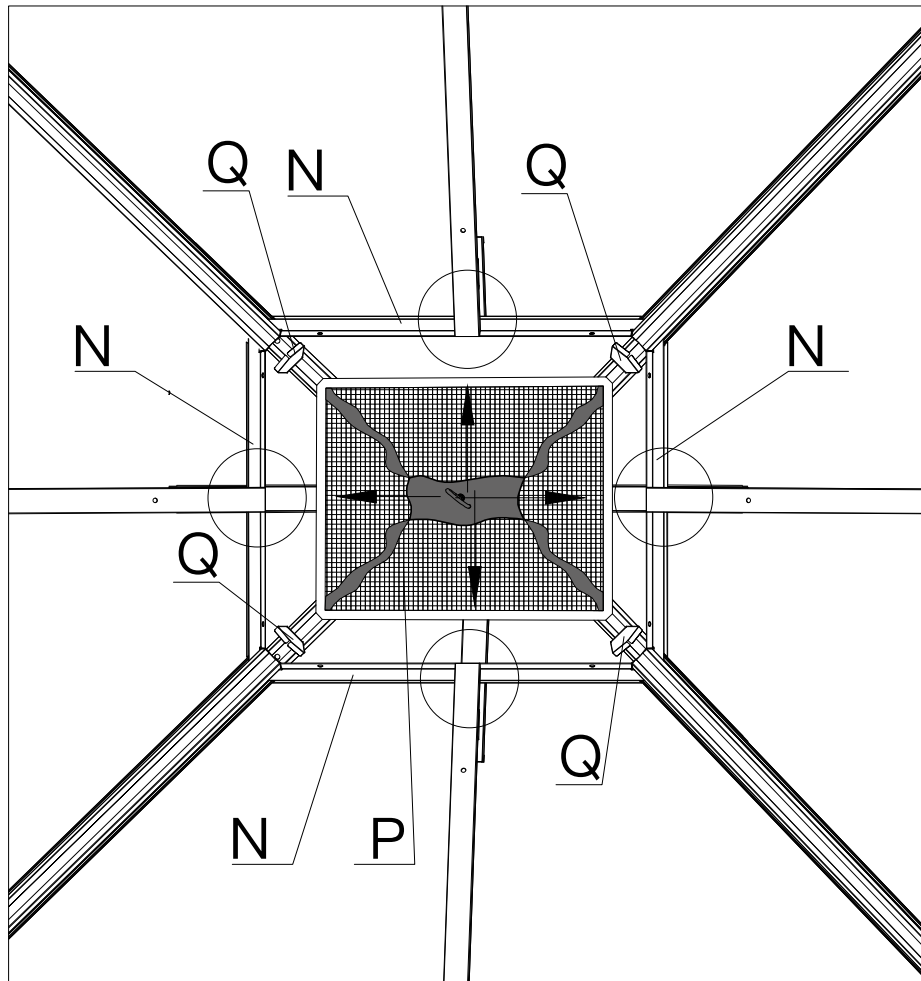
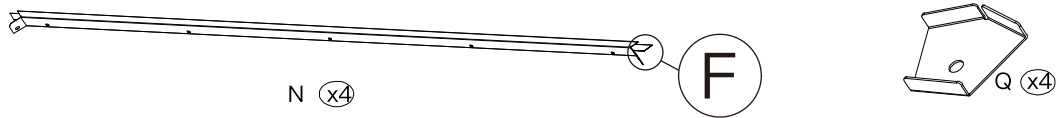
Insert





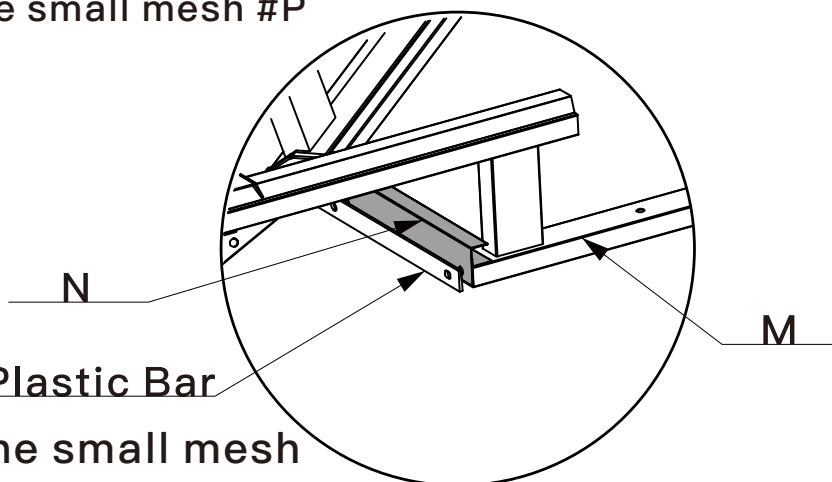
R1

BOTTOM VIEW



BOTTOM VIEW

Extend the small mesh #P

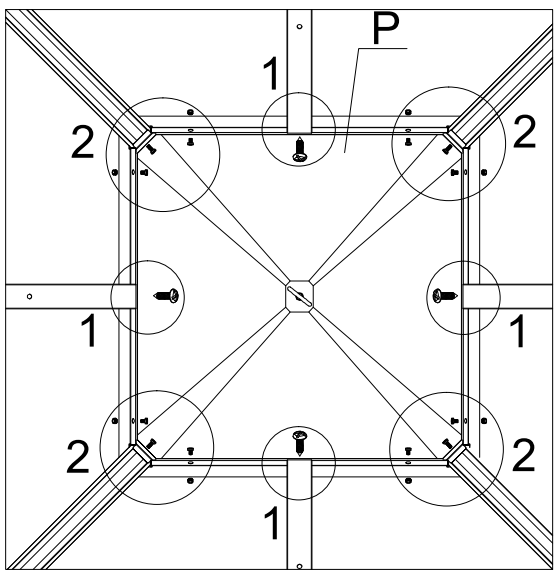
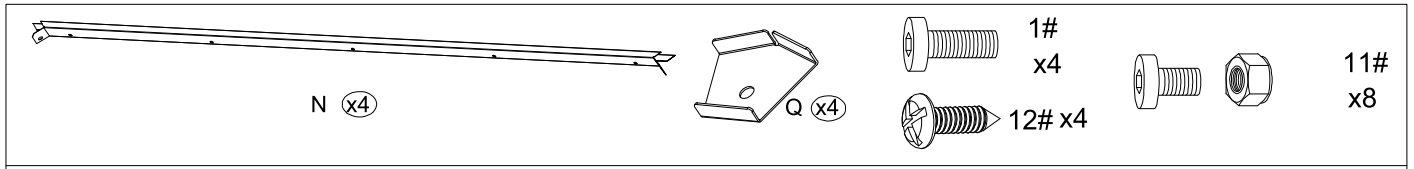


Plastic Bar
In the small mesh

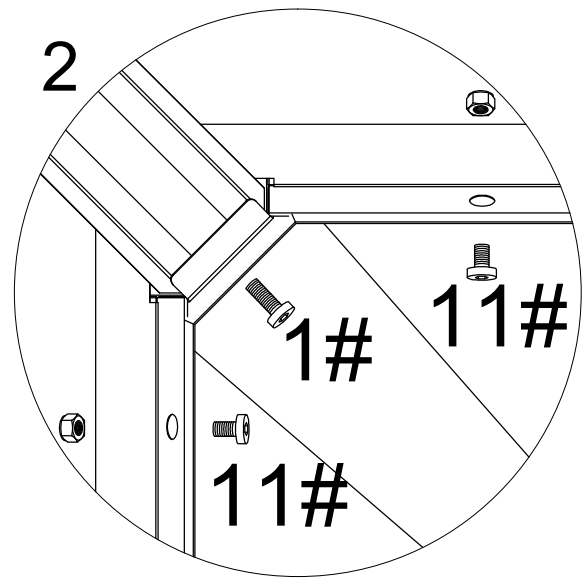
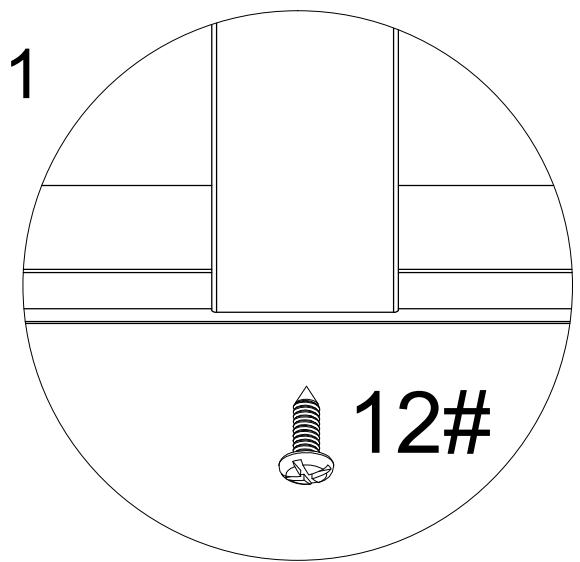
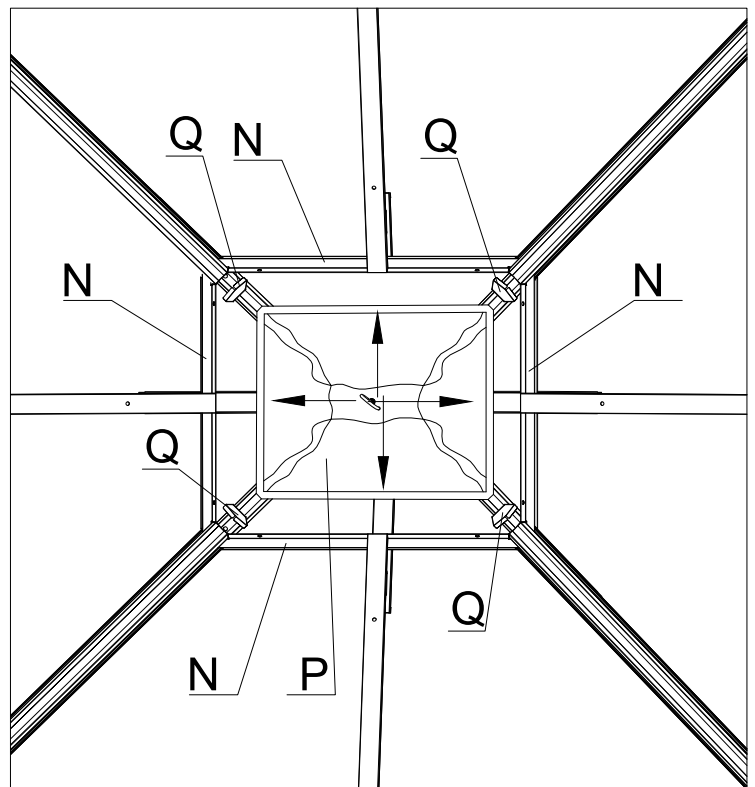
INSIDE VIEW



Please do not pull plastic bar out when installing it with #N to the middle roof tube #M.



BOTTOM VIEW

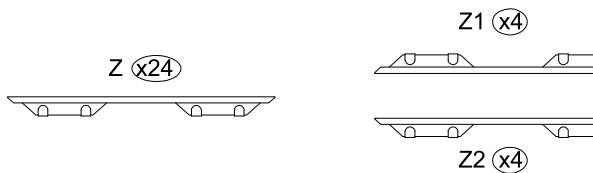
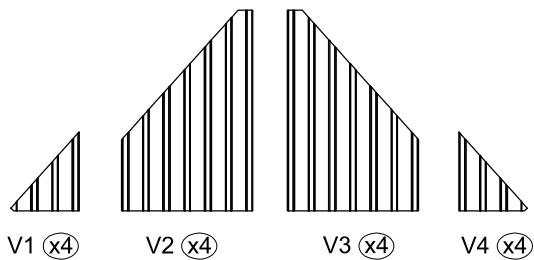


(1) Extend the small mesh, then secure the plastic bar (inside the small mesh) and the finishing bar to the middle roof tube.

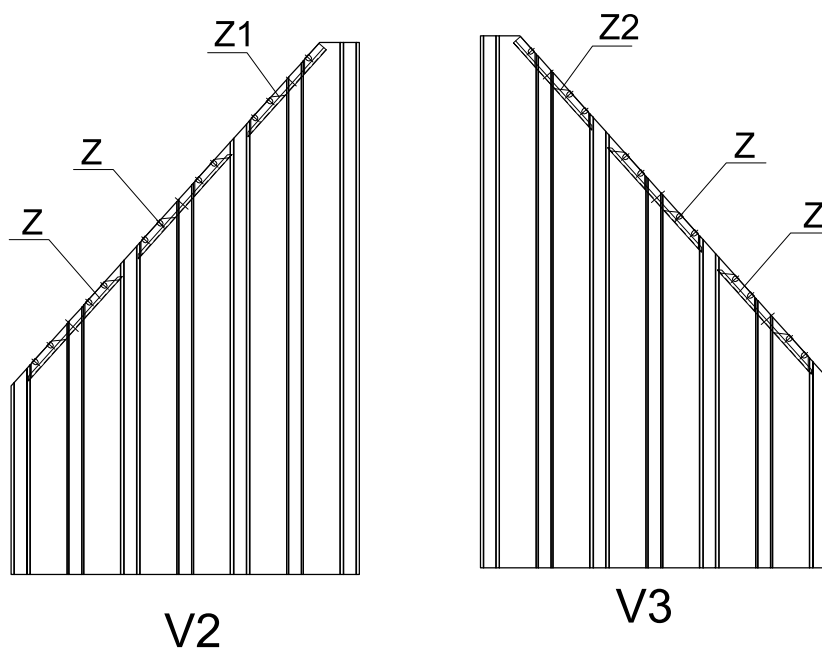
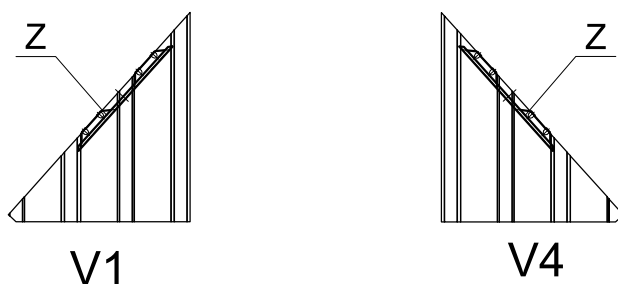
(2) Use 2 bolts and nuts #11 to secure the small mesh, plastic bar to finishing bar.

Use bolt #1 to secure the small mesh and finishing end #Q to the corner roof tube.

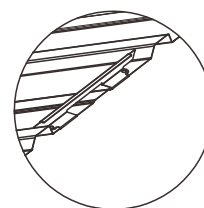
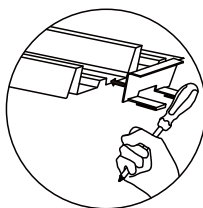
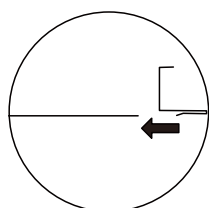
Repeat above procedures to assemble the other 3 sides.



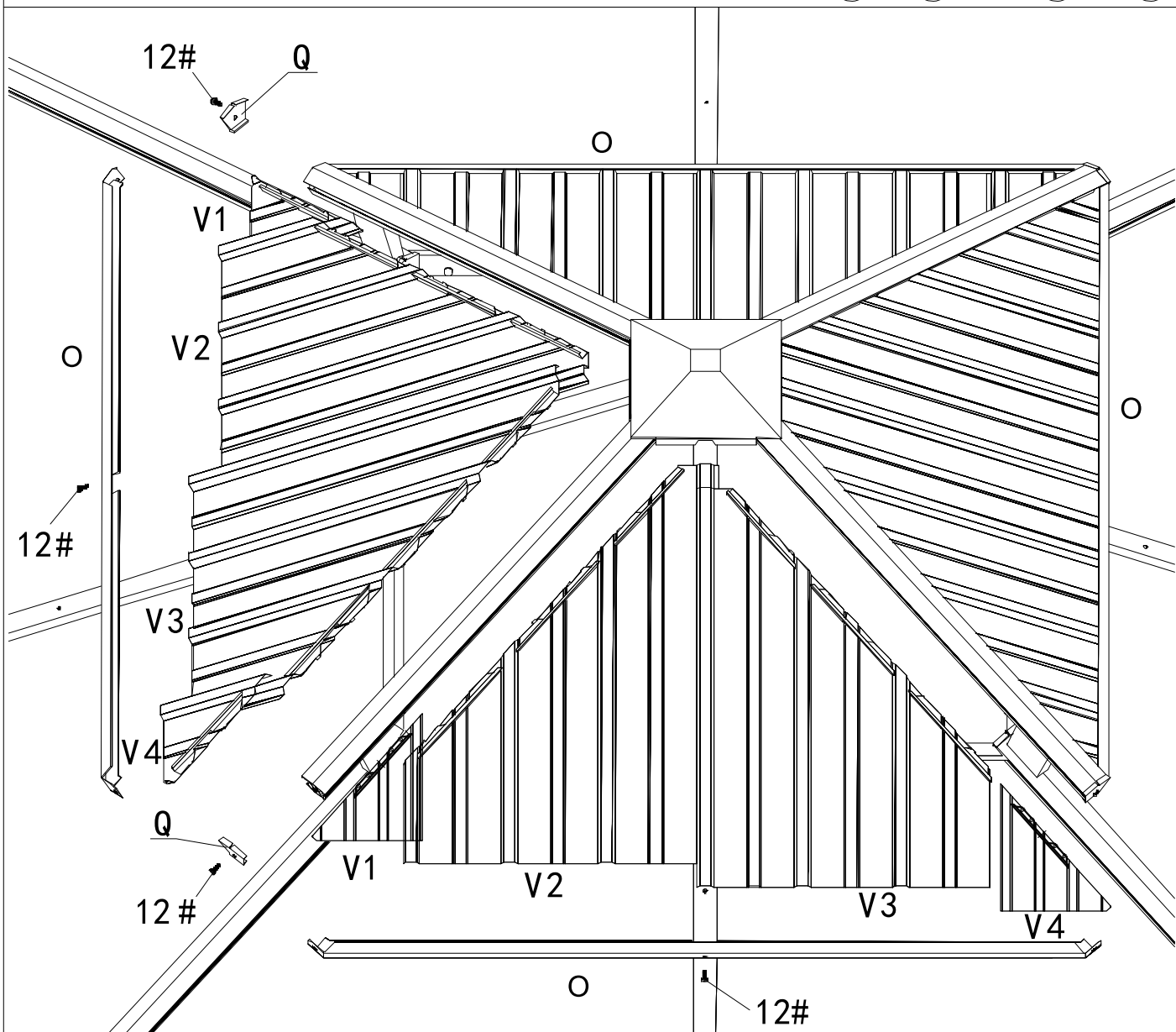
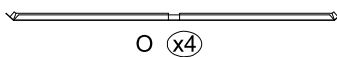
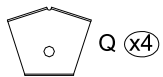
Remove the protective film of the panels before installing the roof panels.



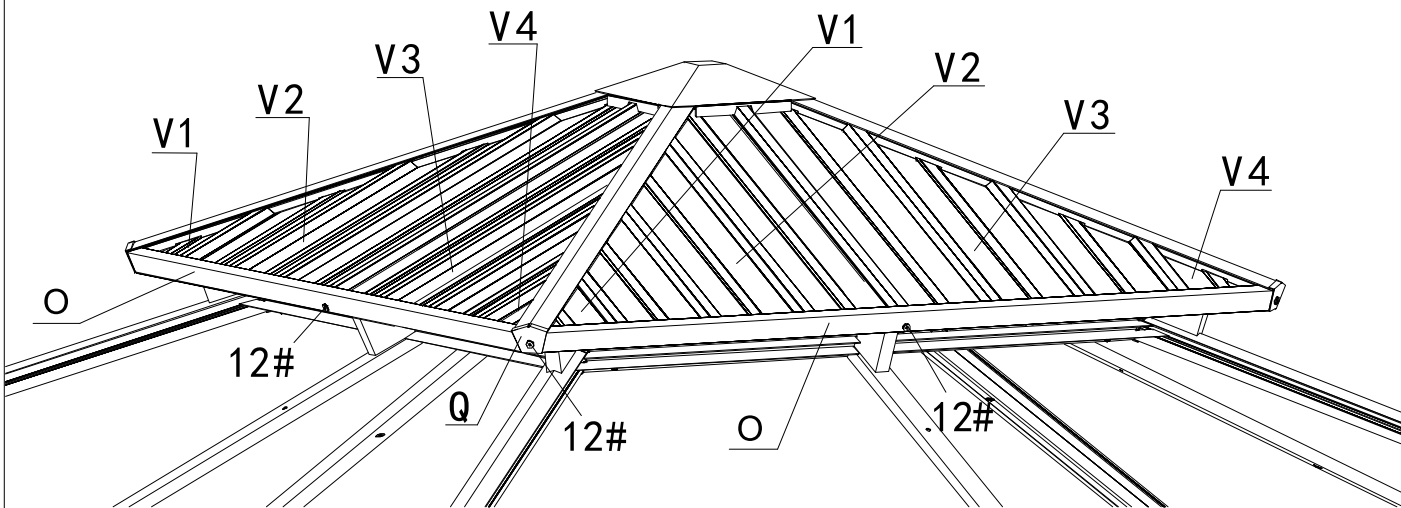
Please install Clips in strict accordance with the instructions.

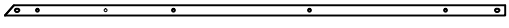


Attach Part #Z,#Z1,#Z2 by lightly tapping with screwdriver.



If you can't install #V2&#V3, push the Outside Roof Cover up and try to insert them again.





U x8



U3 x4

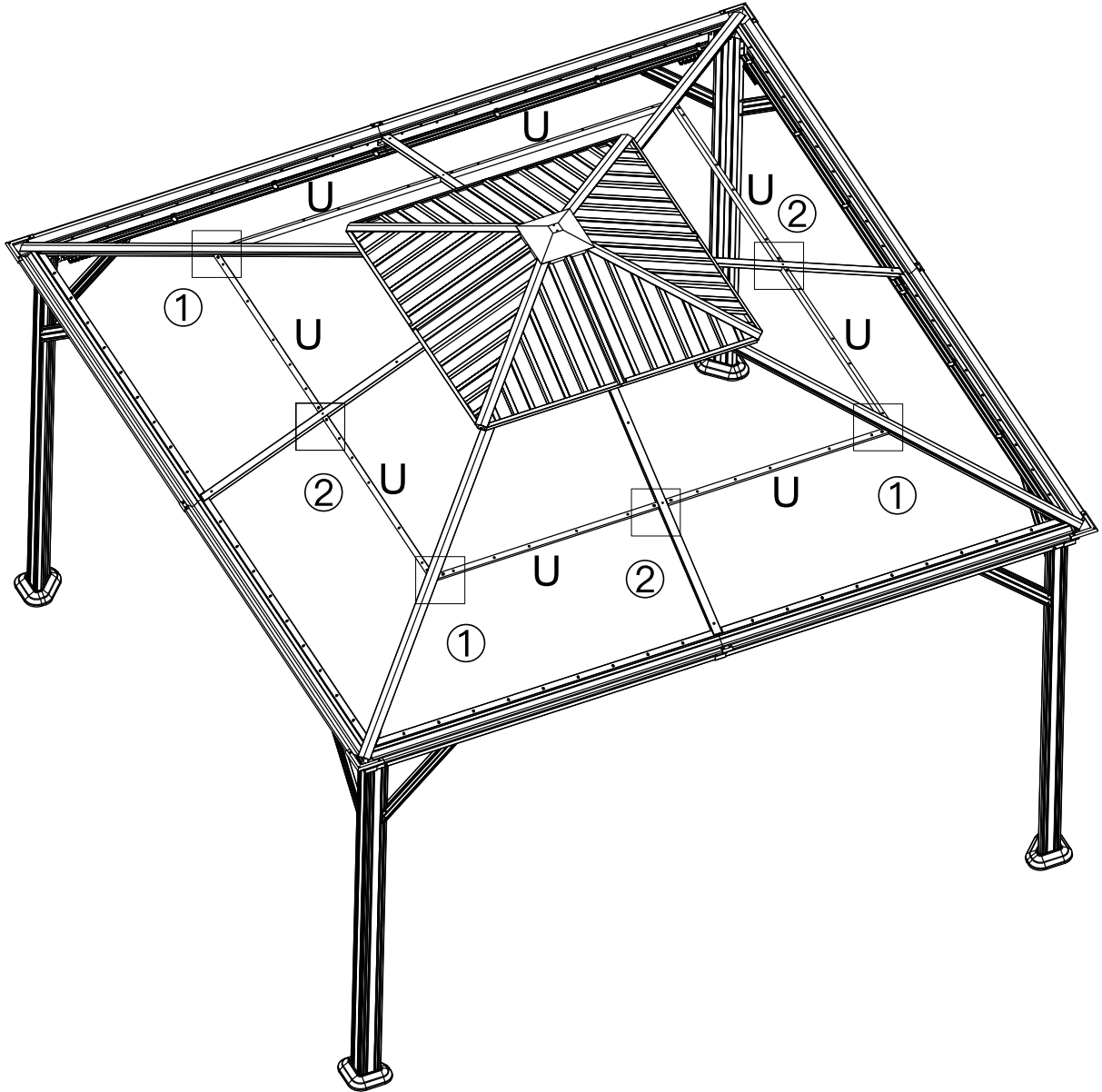


U4 x4

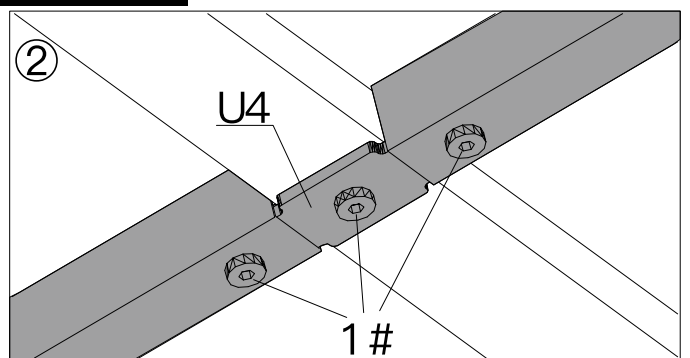
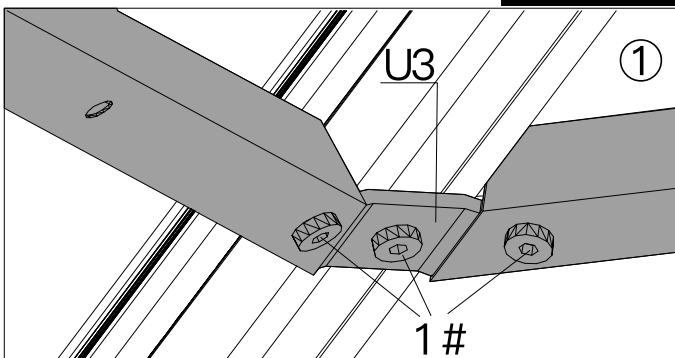


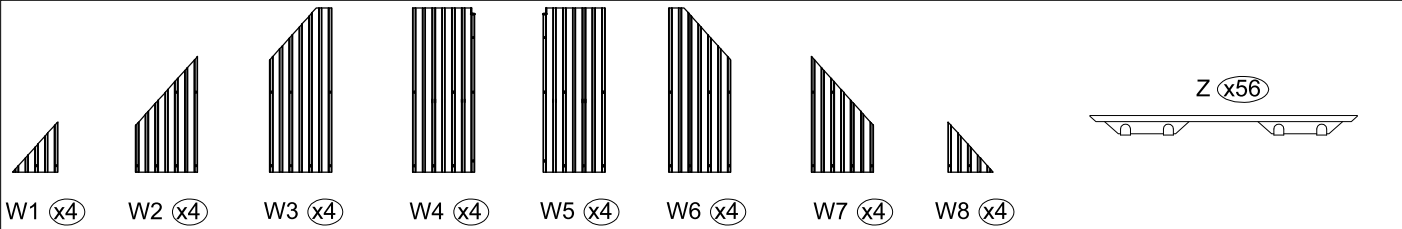
1#
x24

SOLIDIFYING BAR ASSEMBLY:

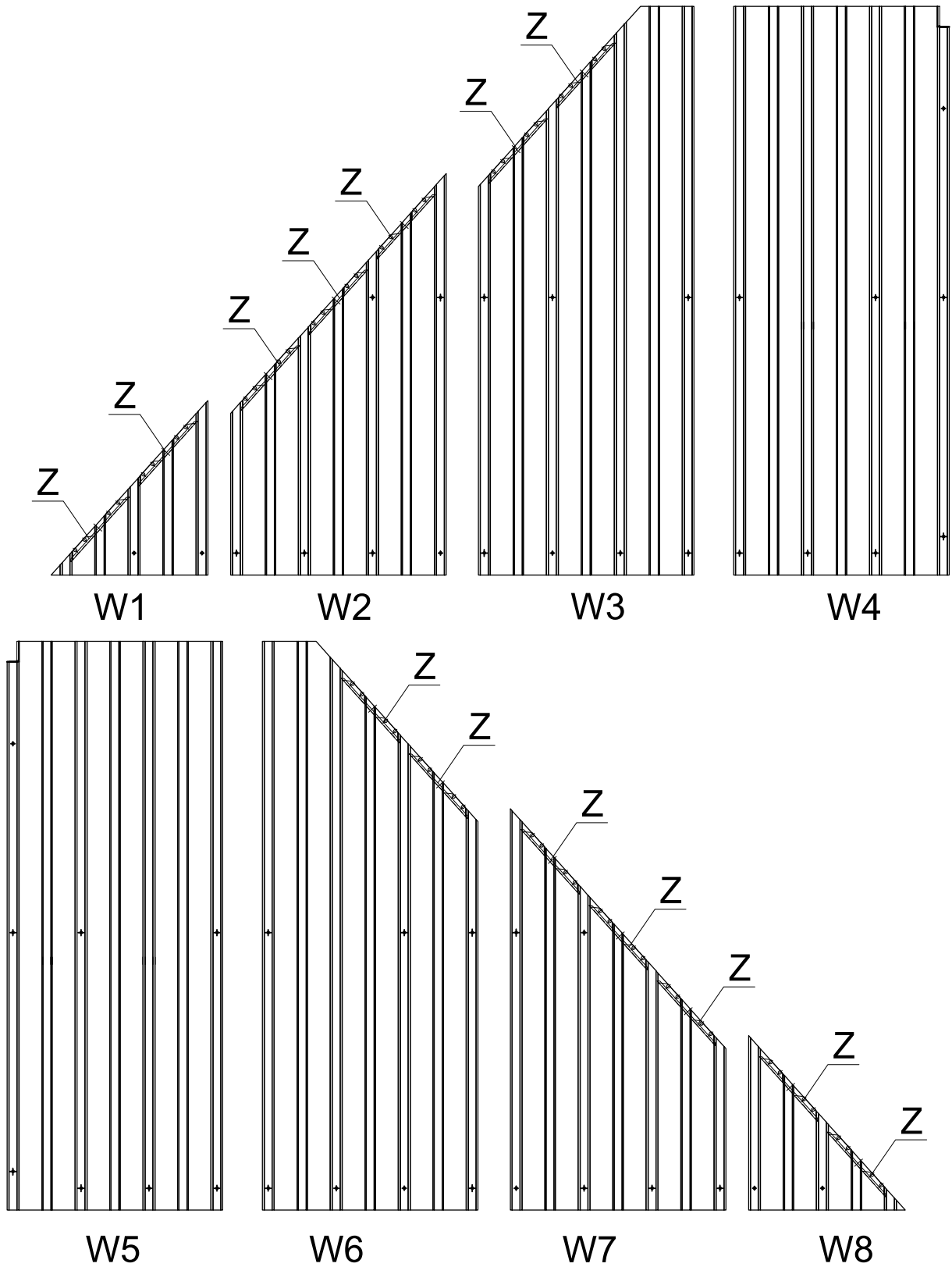


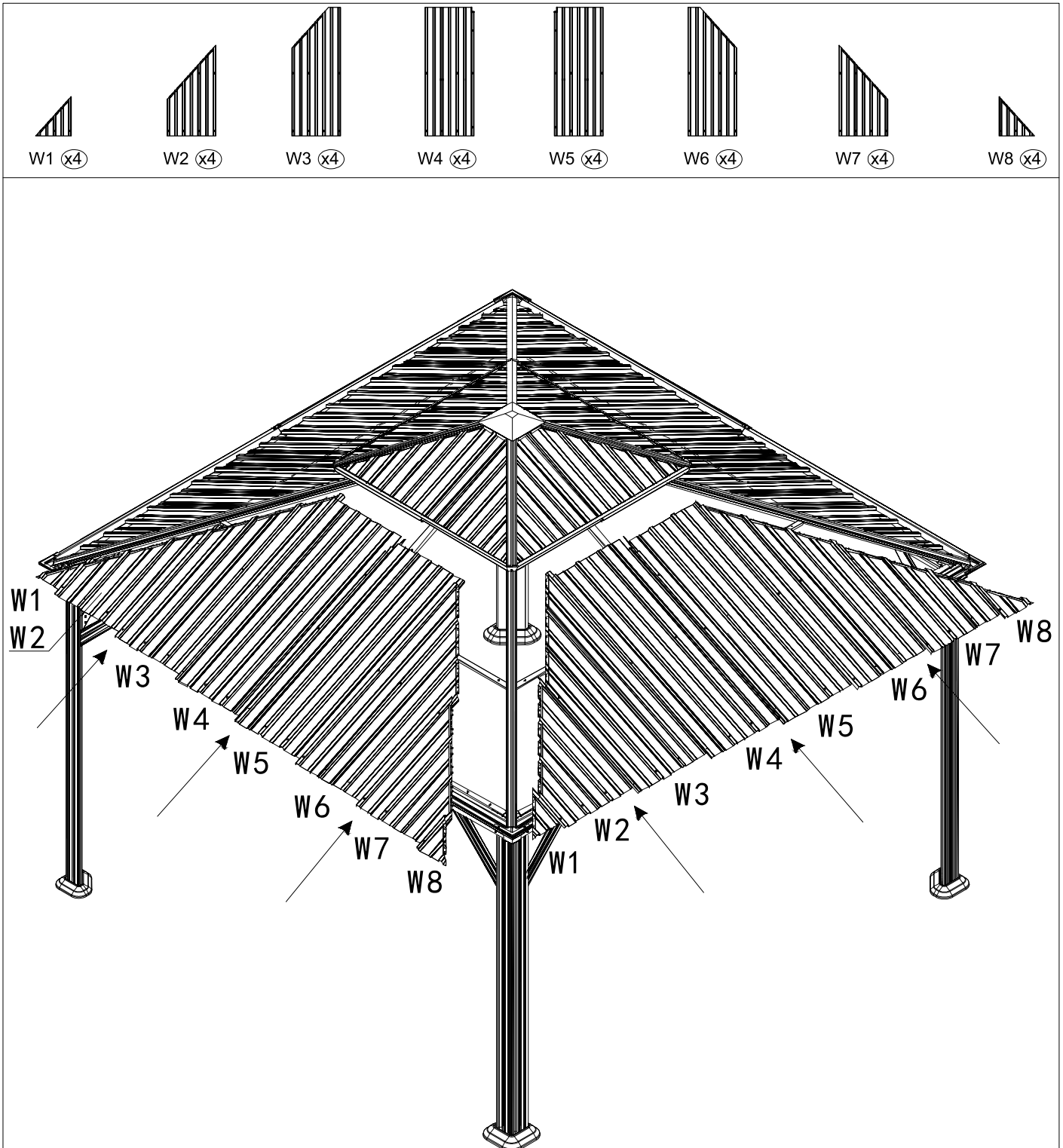
INSIDE VIEW





**Remove the protective film of the panels before installing the roof panels.
Please install Plastic Clips in strict accordance with the instructions.**

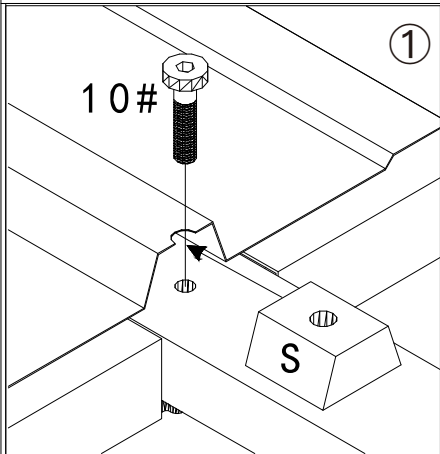
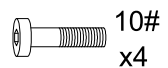
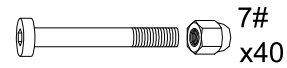
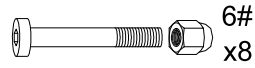
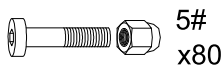
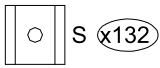




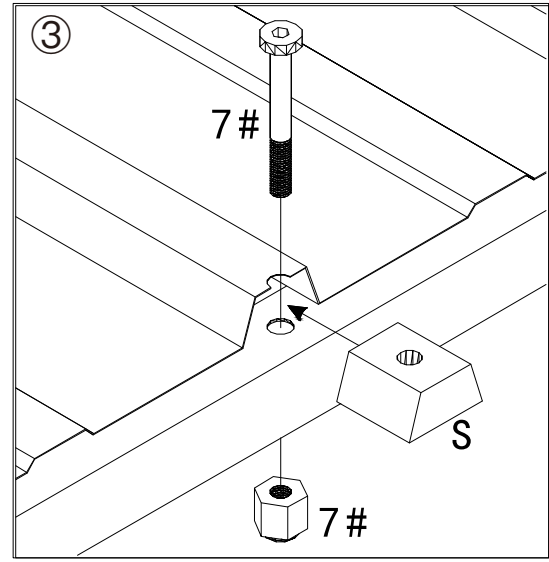
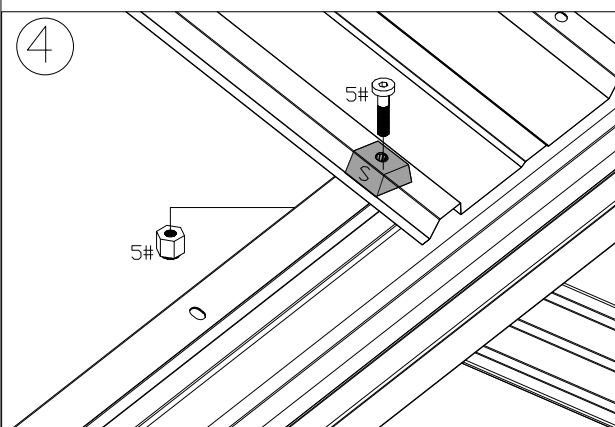
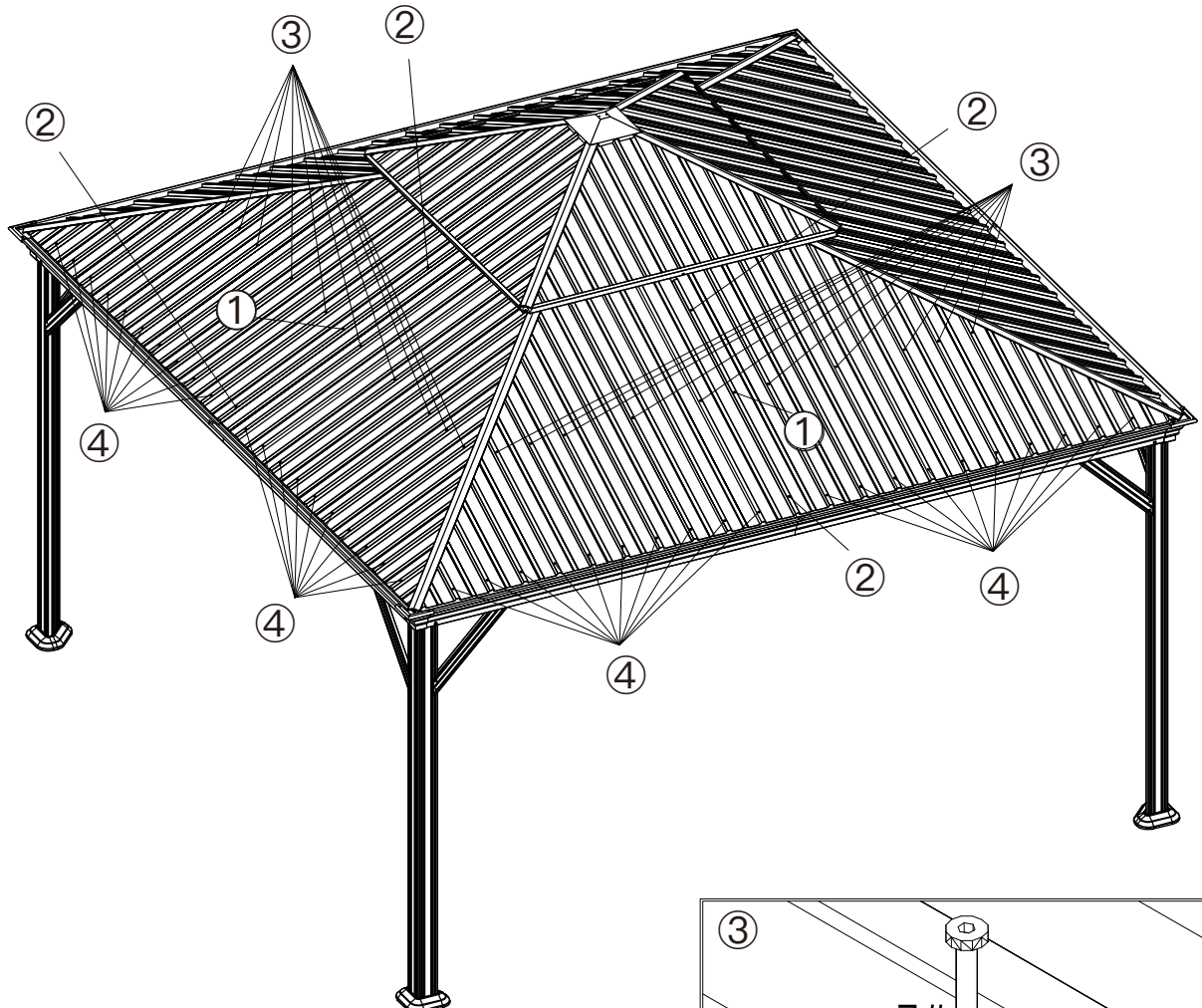
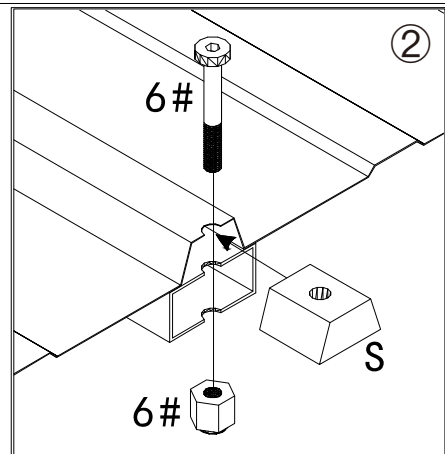
Install the Middle Panels(#W4,W5)first,then the small panels on the edge.

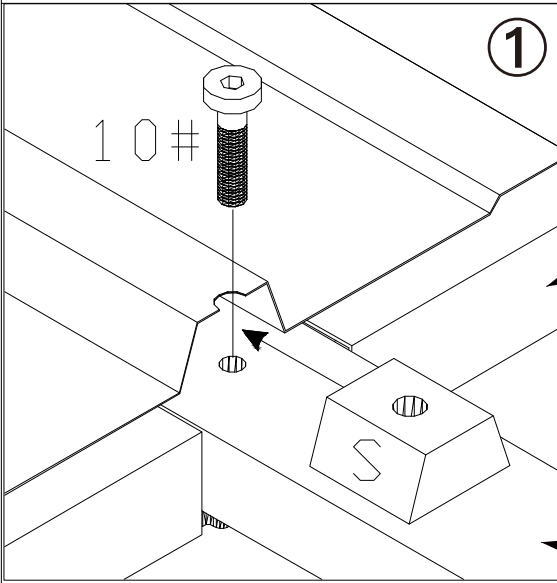
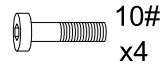
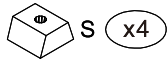
Remove the protective film of the panels before installing the roof panels.

The Rubber Spacer #S should be assembled when installing the roof panels(please see the next page).



The Rubber Spacer #S should be assembled when installing the roof panels.

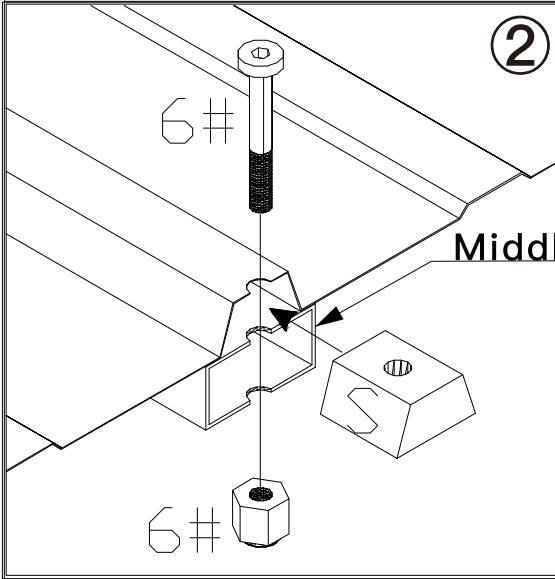
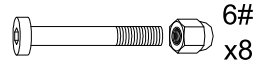
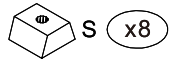




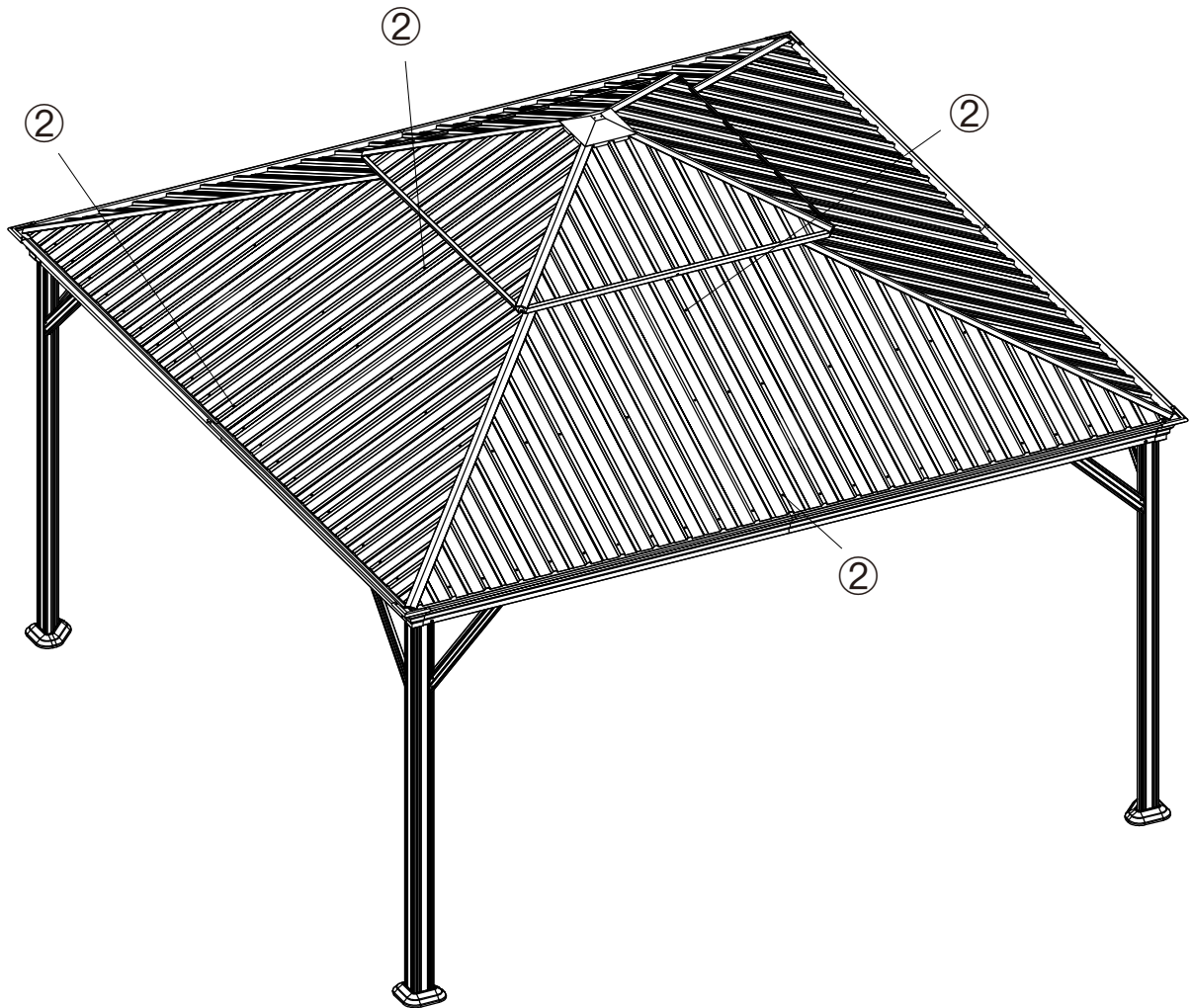
Solidifying Bar

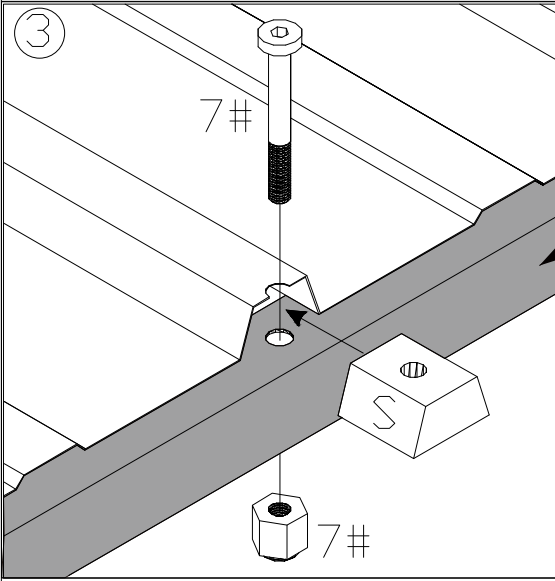
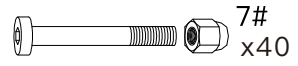
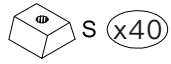
Middle Roof Tube



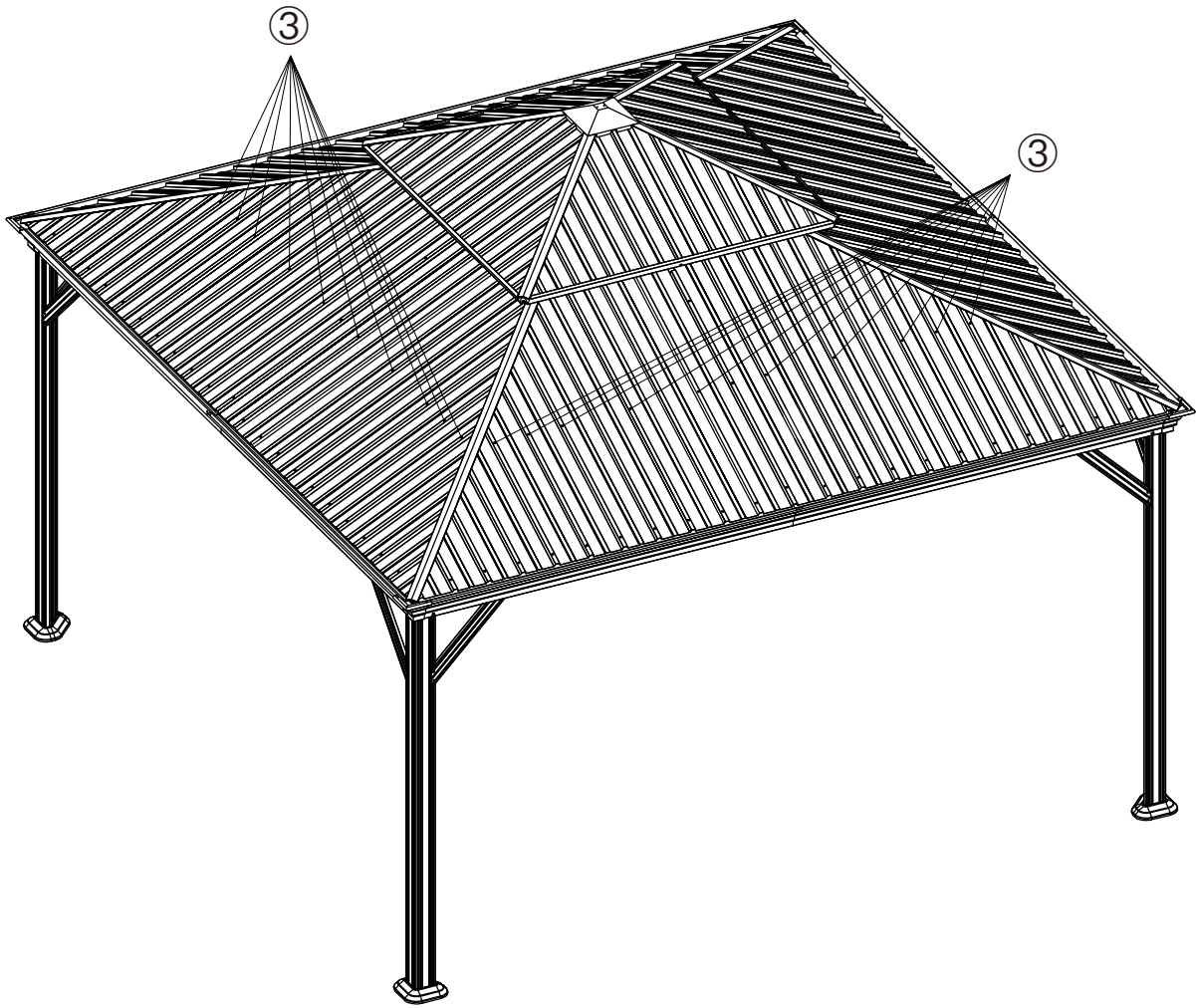


Middle Roof Tube





Solidifying Bar



S x80

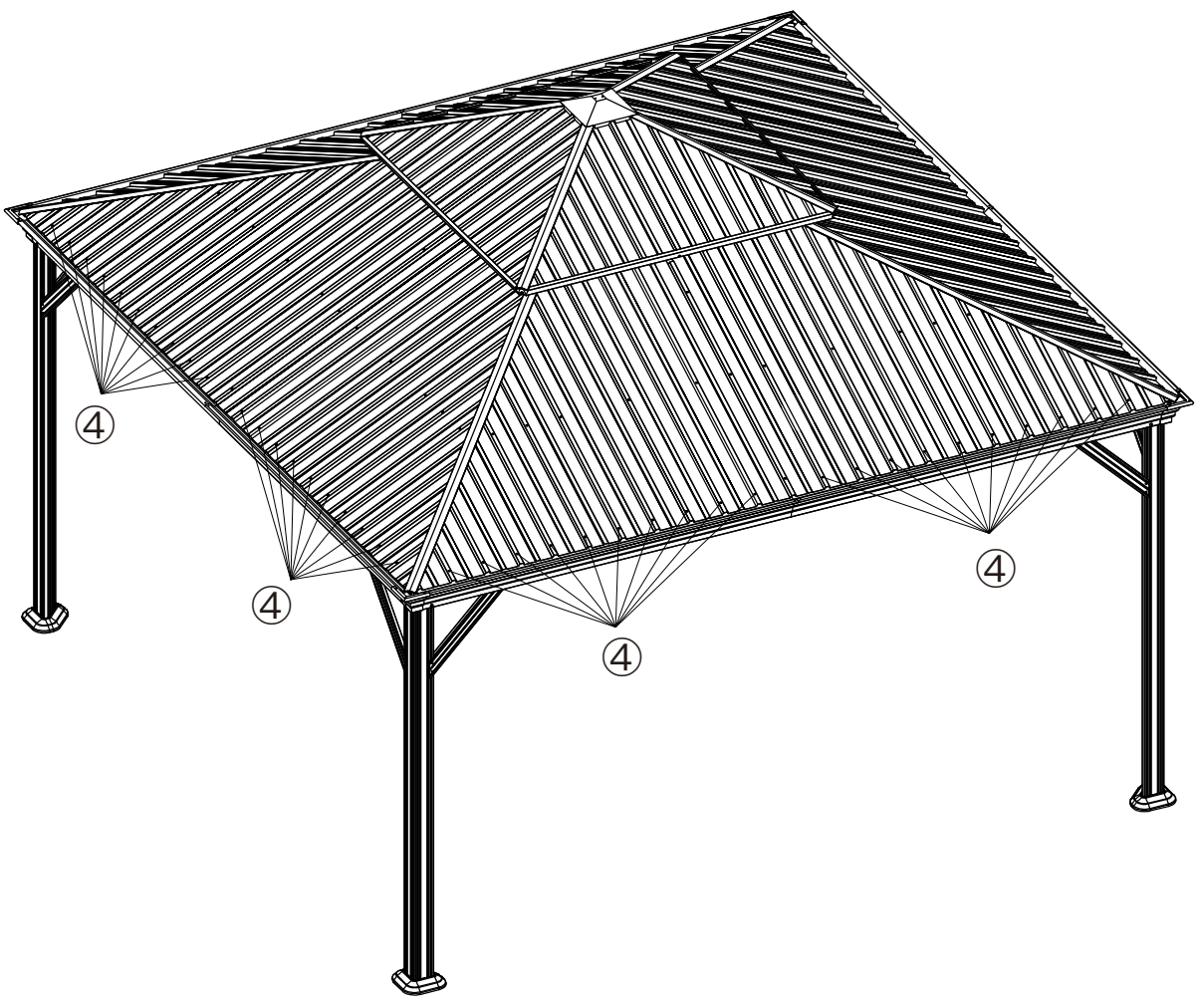
5#
x80

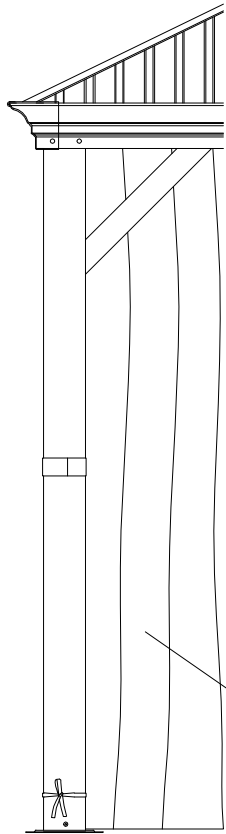
4

Beam

5#

5#

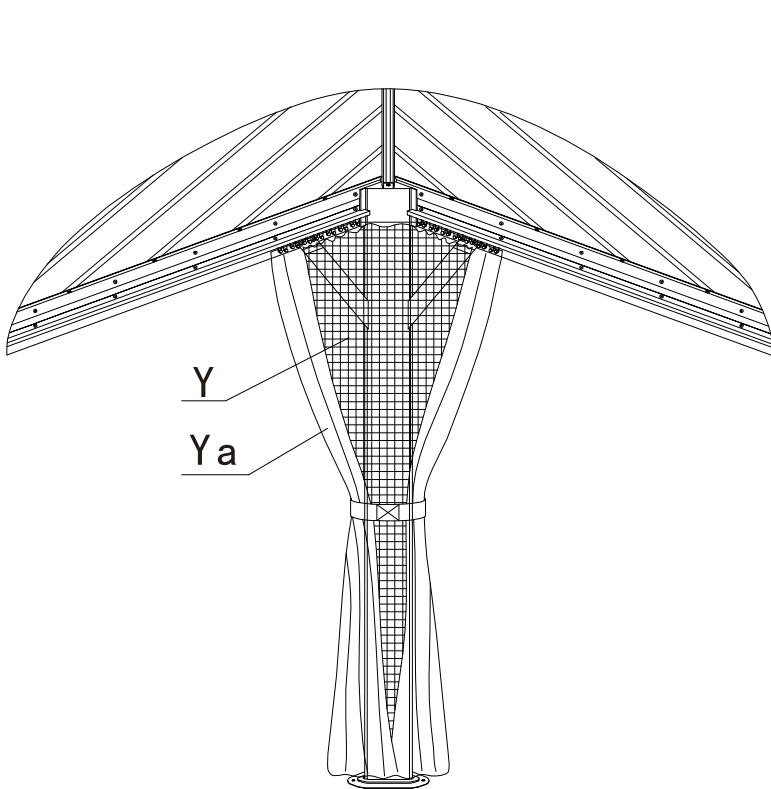
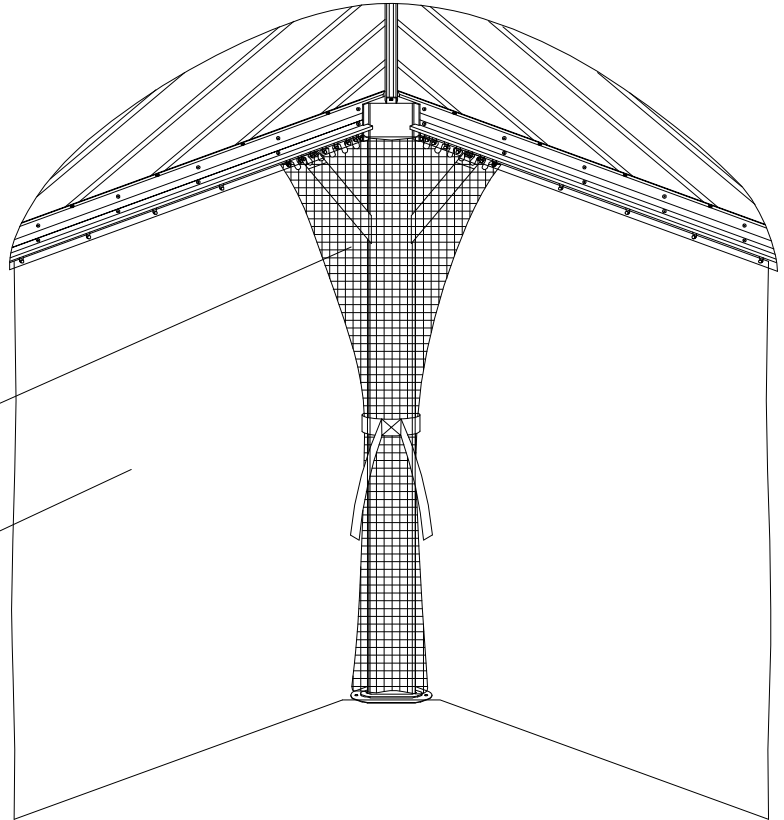




Ya

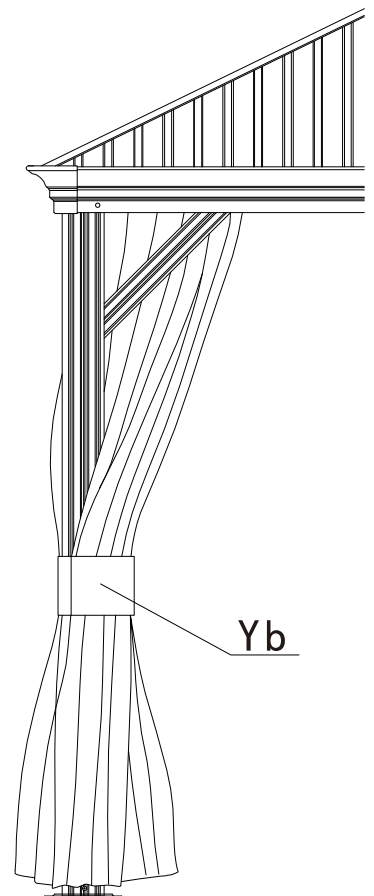
Ya

Y



Y

Ya



Yb

Please open your gazebo curtain when it is incoming over 30 mph wind, and tie with Strap #Yb.



Thanks for your purchase.

At domi outdoor living, we believe in our products.

That's why we provide a 12-month warranty and friendly, easy-to-reach after-sales service. So, if you have any questions about our product or assembly, please feel free to contact us. We are here for you.

Support:  

After-sales contact email:

service@domioutdoorliving.com

Business cooperation contact email:

marketing@domioutdoorliving.com

Please have your order ID available if you reach out for support.

If you have damaged parts or product, please send us photos for an immediate response.