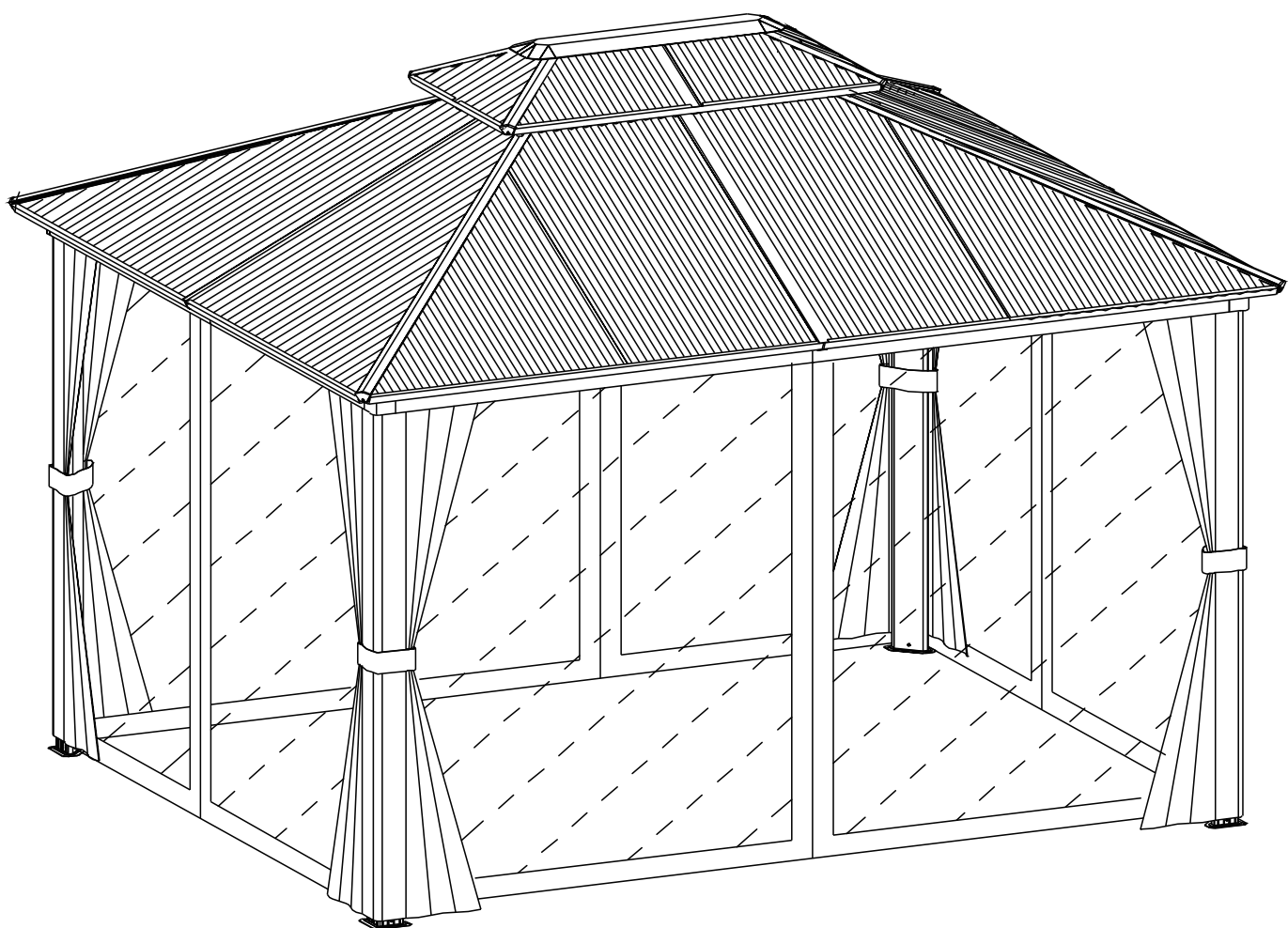


# INSTALLATION INSTRUCTIONS

## 10x12 Gazebo



**Our team is available 24/7 to help with any product questions. Contact us anytime!**

# Warning

- Please read and understand this manual carefully before assembly. Before starting to assemble the product, please ensure that all parts are present. Please check the parts against the packing list. If you find any missing parts, please contact us.
- Any assembly or maintenance work on this product must be performed by adults. We recommend that at least two adults be involved.
- Please check your state and local regulations before purchasing. Some areas may require a permit for the installation and use of this product. There may be specific procedures in your area.
- Please install the Pergola on a flat surface. Ground stakes are included with the product to secure the Pergola to the ground.
- Do not assemble the Pergola on sandy, muddy, or loose soil, as the ground stakes will not provide sufficient anchoring in these types of soil.
- If you wish to secure the Pergola to a wooden deck or concrete surface, please use anchor bolts suitable for these surfaces.
- Some parts may contain sharp edges. Protective gloves are recommended.
- Keep children and pets away while assembling the Pergola.
- Regularly check all nuts and bolts to ensure they are tightened.
- Before starting assembly, carefully read each step and ensure you understand each step.
- Please refer to the diagrams. Place all parts from the box in a clean area and lay them flat on the floor in front of you.
- Remove all packaging materials and place them back in the box. Do not discard the packaging materials until assembly is complete.

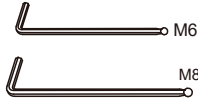
# Maintenance

- Snow must be removed regularly during snowy weather. Remove snow when the snow accumulation on the roof exceeds 2 inches (5 cm). To avoid damage, use a plastic snow rake to remove excess snow and ice from the roof, and be careful to stay clear of falling debris.
- This Pergola is for decorative and shading purposes only and is not designed to withstand severe weather conditions, including strong winds, heavy rain, and heavy snow.
- The steel components of this Pergola are coated with rust-resistant paint. However, due to the inherent properties of steel, oxidation (rusting) may still occur on the surface if the protective coating is scratched. This is not a product defect and is therefore not covered under warranty.
- To minimize this occurrence, it is recommended to handle the product carefully during assembly and handling to avoid scratching the paint. If any scratches or damage occur, it is recommended to immediately repair the scratches with rust-resistant paint (not included).
- Do not use bleach, acid, or other abrasive cleaners on the roof or frame components.
- Please keep these instructions for future reference.

# Pre-assembly

## TOOLS THAT MAY BE REQUIRED (included in boxes)

**\*NOTE: Tools /equipment are not shown to actual size and scale.**



Wrench



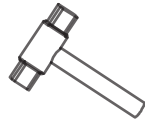
GLOVES

## EQUIPMENT REQUIRED (Not included in boxes)

**\*NOTE: Equipment are not shown to actual size and scale.**



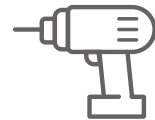
LEVEL



RUBBER Mallet



PHILLIPS SCREW



DRILL



SAFETY HAT



SAFETY GOGGLES



STEPLADDER

## Matters needing attention



1. Two or more people are required for assembly.



2. Do not fully tighten screws prior to complete assembly.



3. Use a spirit level. Before proceeding, check that the device or component is perfectly level.



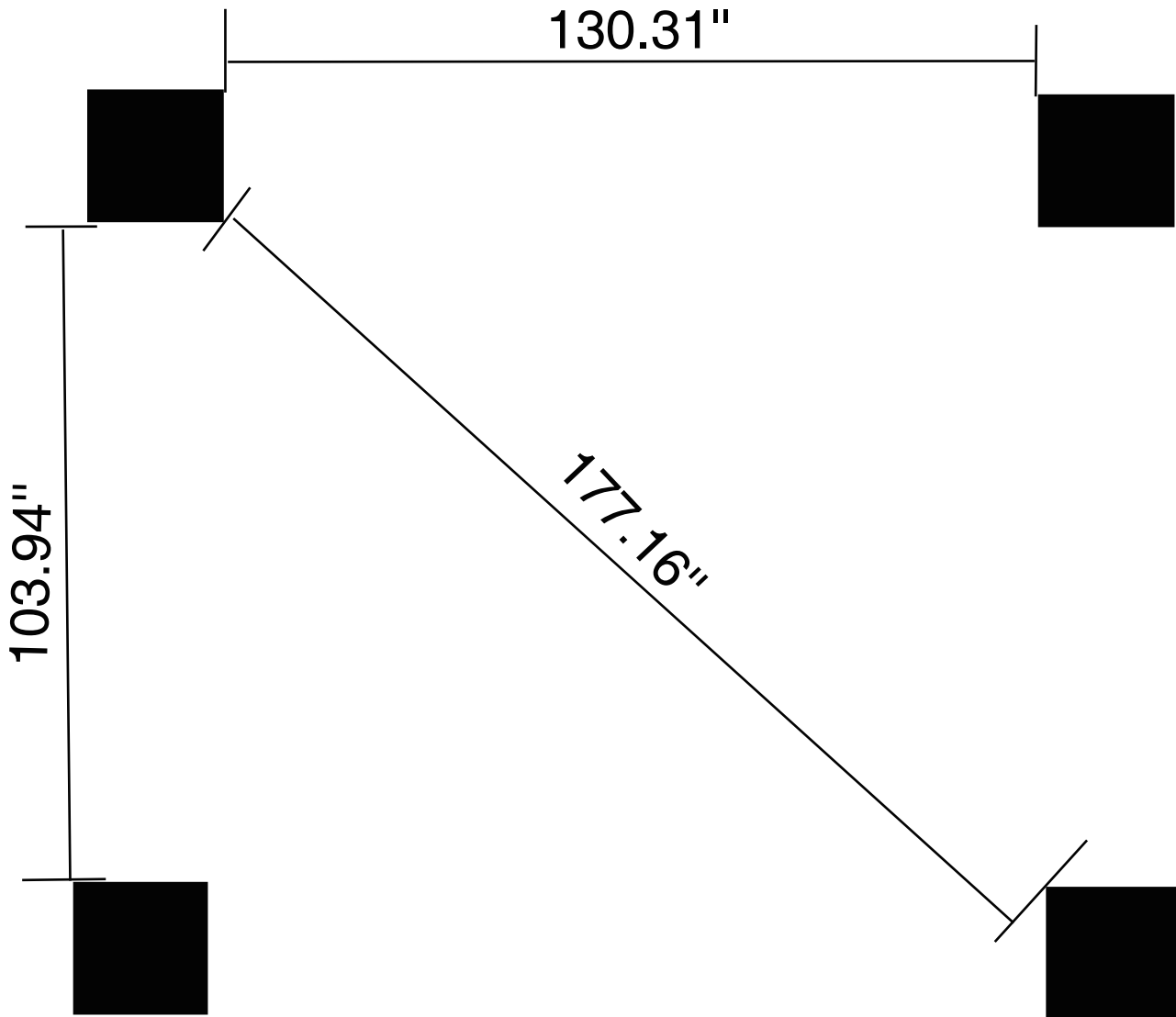
4. Use a square to check: Before tightening the bolts, check that the assembly is square.



5. Do not over-tighten the mounting bolts. Over-tightening can cause the wood to crack, splinter, and result in other structural damage.

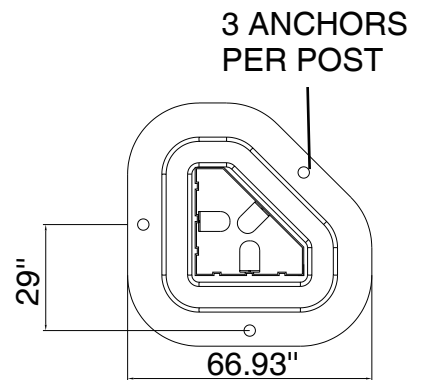
# INSTALLATION BLUEPRINT

## 10'x12'



The width dimension error is restricted to 0.118"

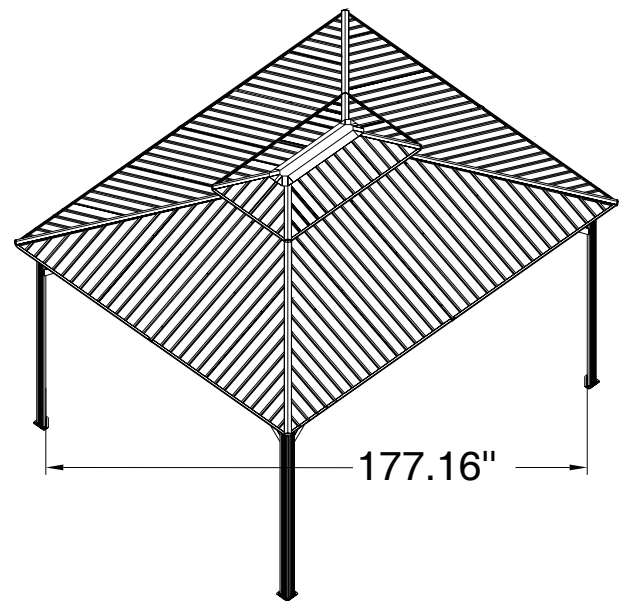
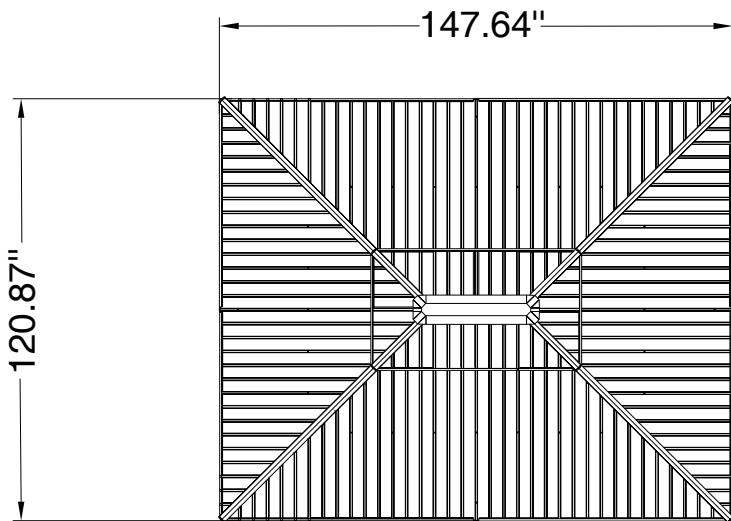
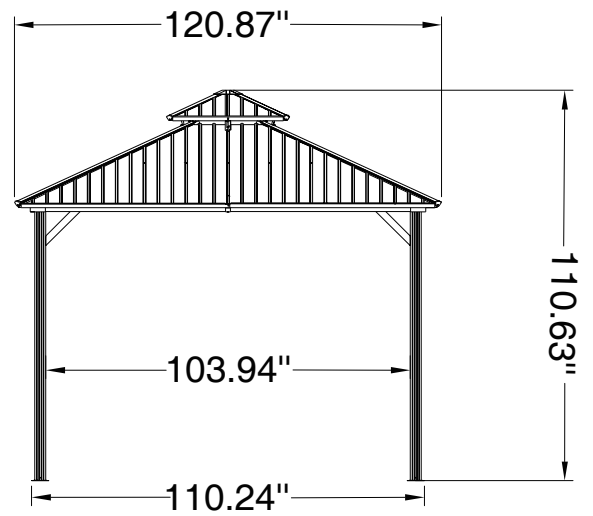
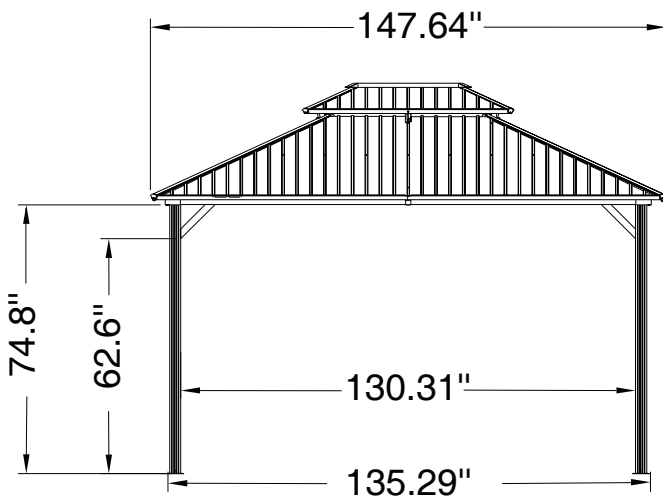
Diagonal line error should be limited to 0.197"



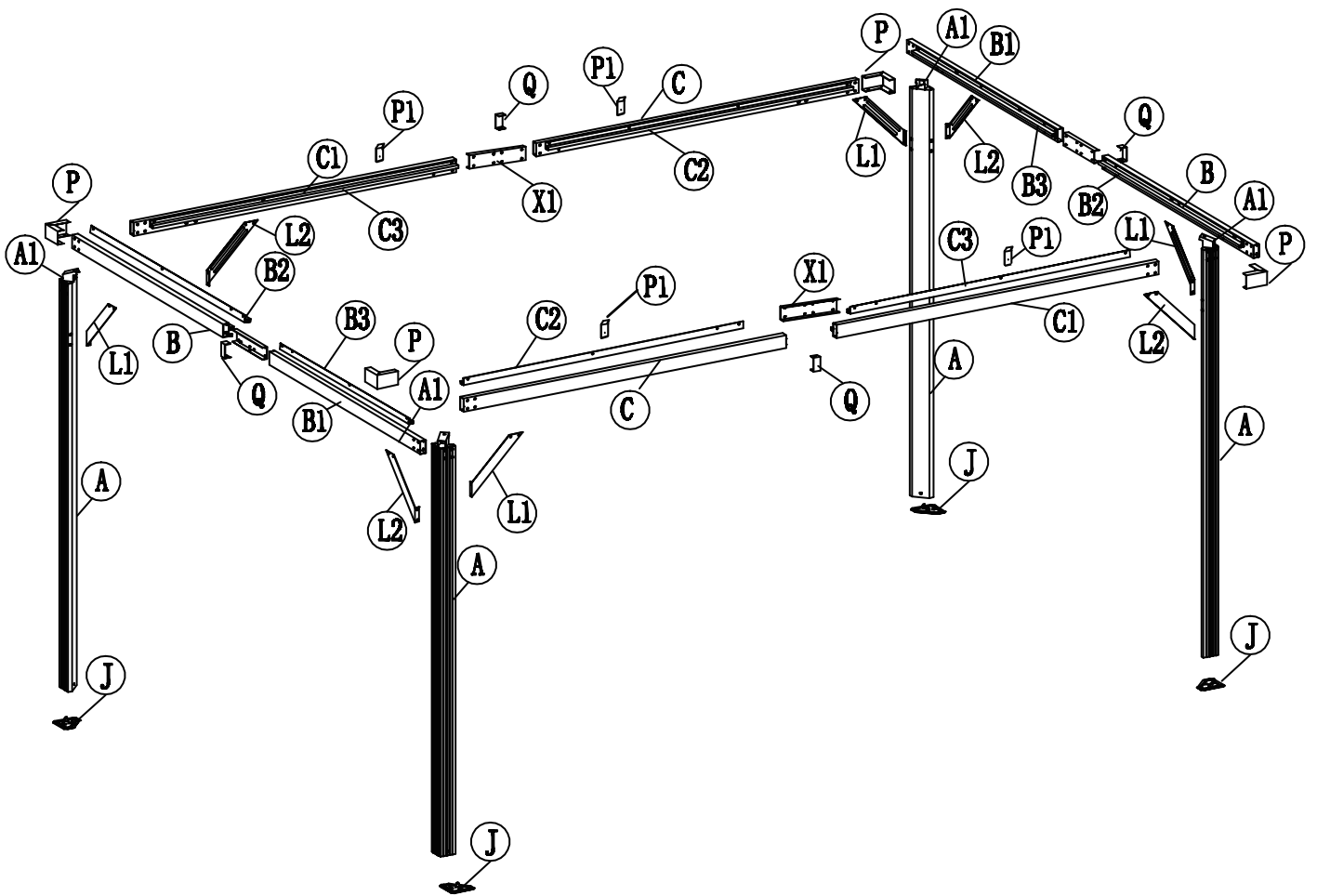
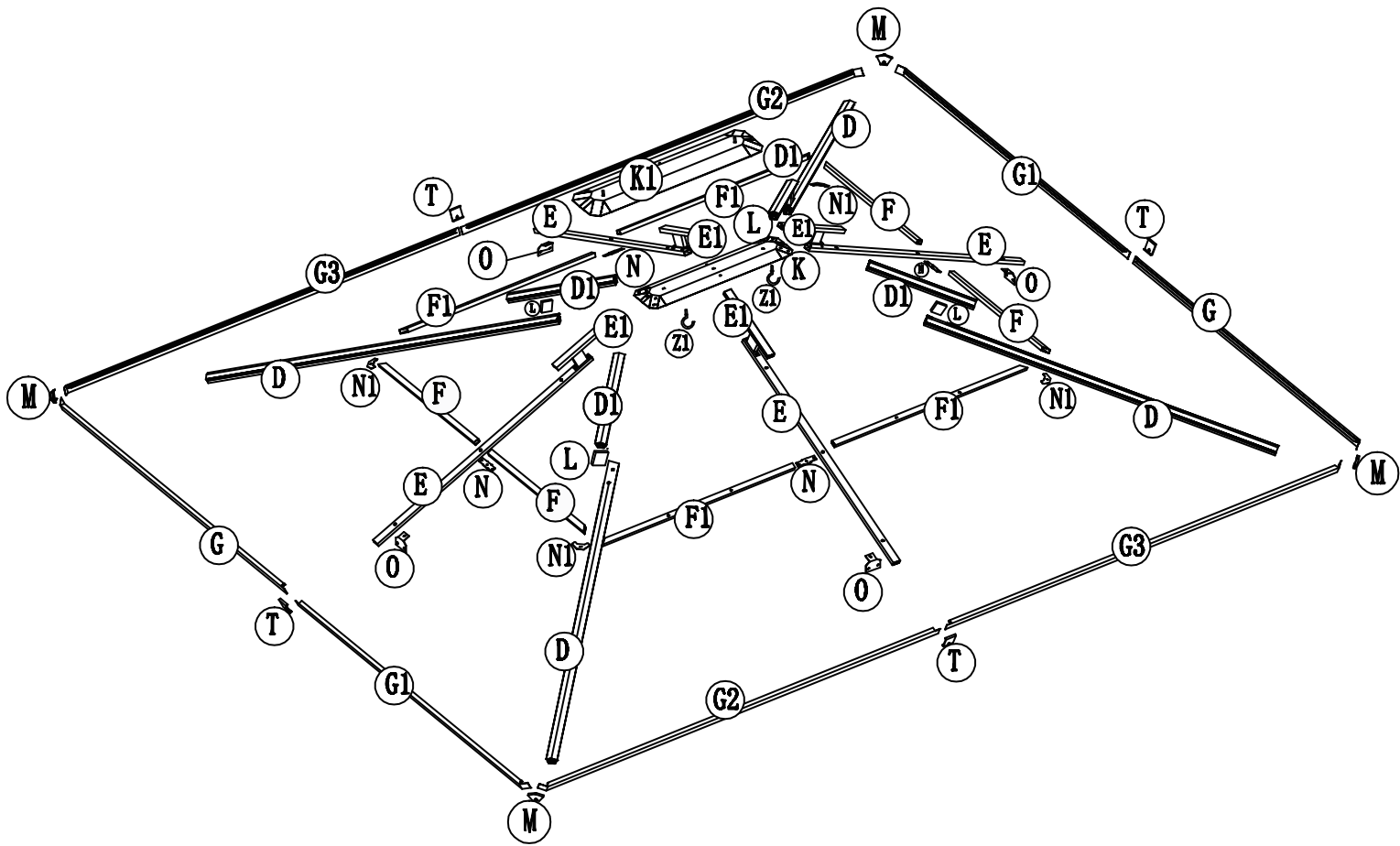
NOTE: DIMENSIONS ARE TO ANCHOR PLATES MOUNTED TO POSTS EXCEPT WHERE NOTED

# PRODUCT DIMENSIONS

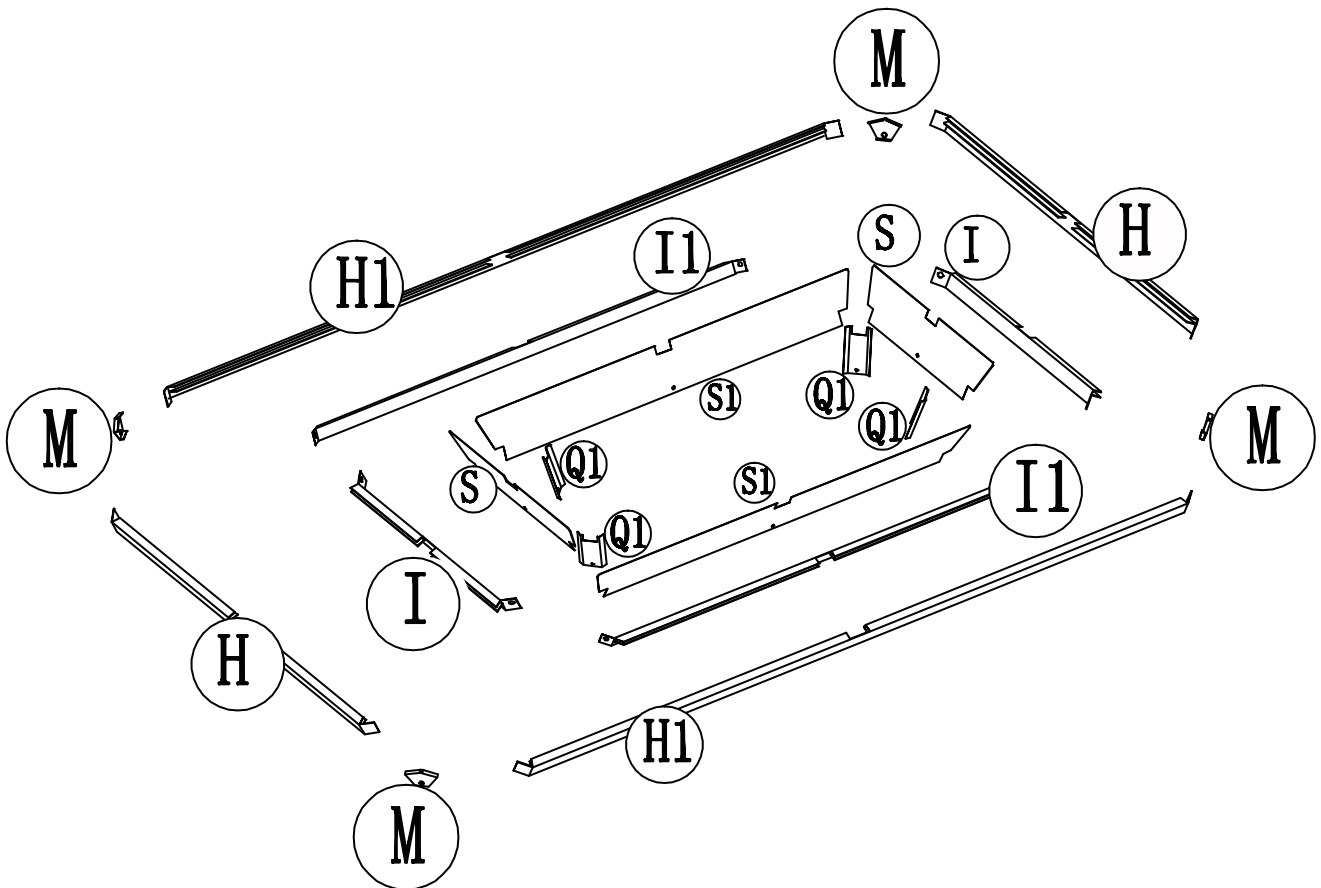
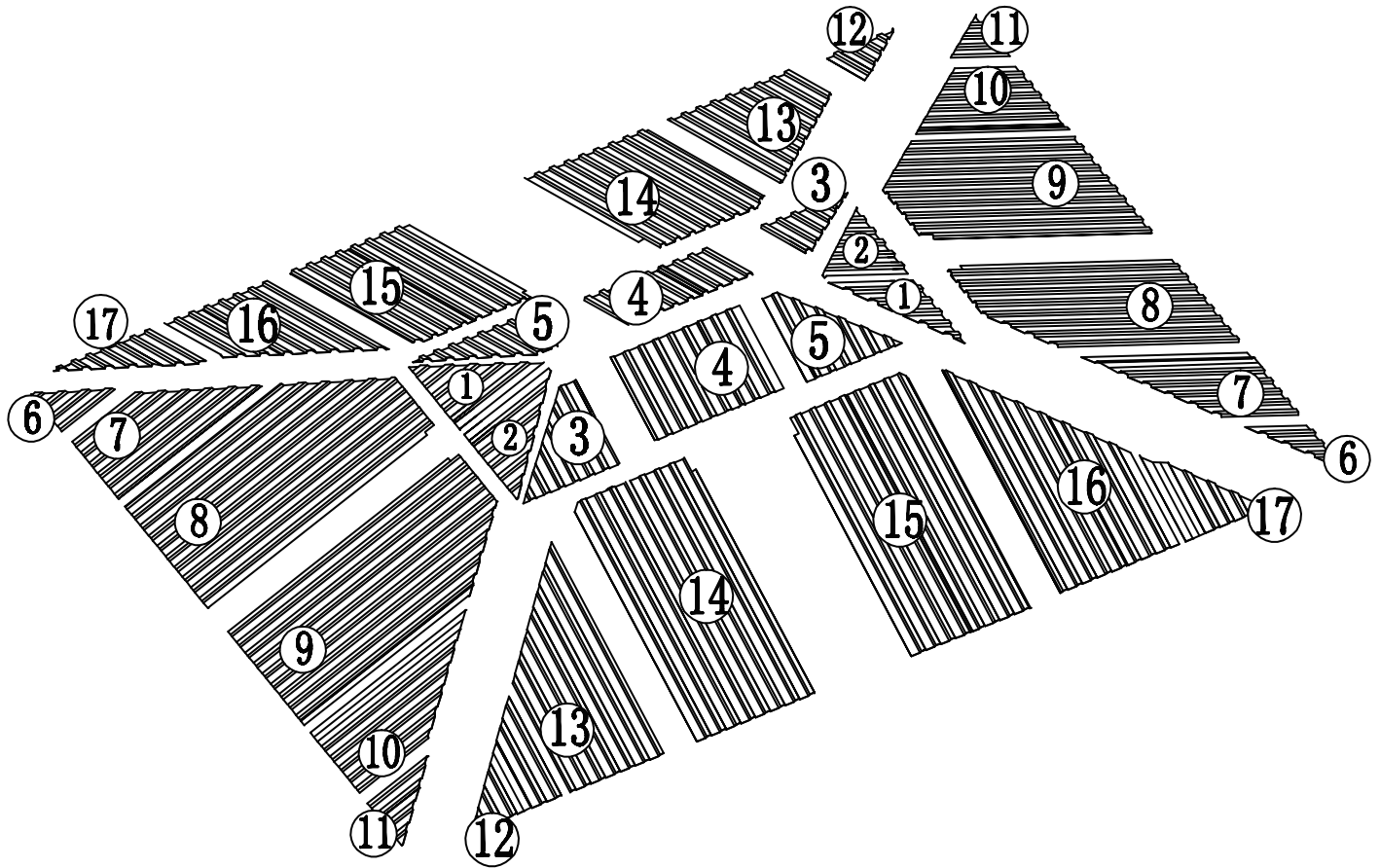
## 10'x12'





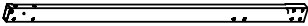
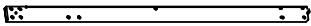









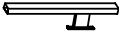








# EXPLODED DRAWING






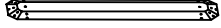
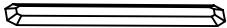



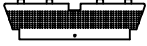
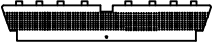
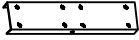


# EXPLODED DRAWING







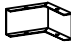
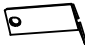






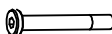

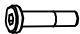





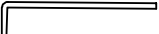
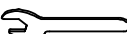



# Part Lists

Part Number	Part Image	Description	QTY
A		Pillar	4PCS
A1		connector	4PCS
B		Beam	2PCS
B1		Beam	2PCS
B2		Track	2PCS
B3		Track	2PCS
C		Beam	2PCS
C1		Beam	2PCS
C2		Track	2PCS
C3		Track	2PCS
D		corner beam	4PCS
D1		Short corner beam	4PCS
E		rafter	4PCS
E1		Short rafter	4PCS
F		purlin	4PCS
F1		purlin	4PCS
G		Main Roof Iron Tile Edge Trim	2PCS
G1		Main Roof Iron Tile Edge Trim	2PCS
G2		Main Roof Iron Tile Edge Trim	2PCS
G3		Main Roof Iron Tile Edge Trim	2PCS
H		Top Roof Iron Tile Edge Trim	2PCS
H1		Top Roof Iron Tile Edge Trim	2PCS








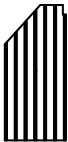

# Part Lists





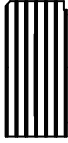
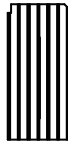


Part Number	Part Image	Description	QTY
I		Top Iron Tile Inner Trim	2PCS
I1		Top Iron Tile Inner Trim	2PCS
J		Chassis	4PCS
K		Bottom piece	1PC
K1		Top piece	1PC
L		connection block	4PCS
L1		Diagonal bracing	4PCS
L2		Diagonal bracing	4PCS
S		Hollow out baffle	2PCS
S1		Hollow out baffle	2PCS
X1		Beam Connection	4PCS
⑱		Mesh	4PCS
⑲		Curtain	4PCS

# Hardware Pack

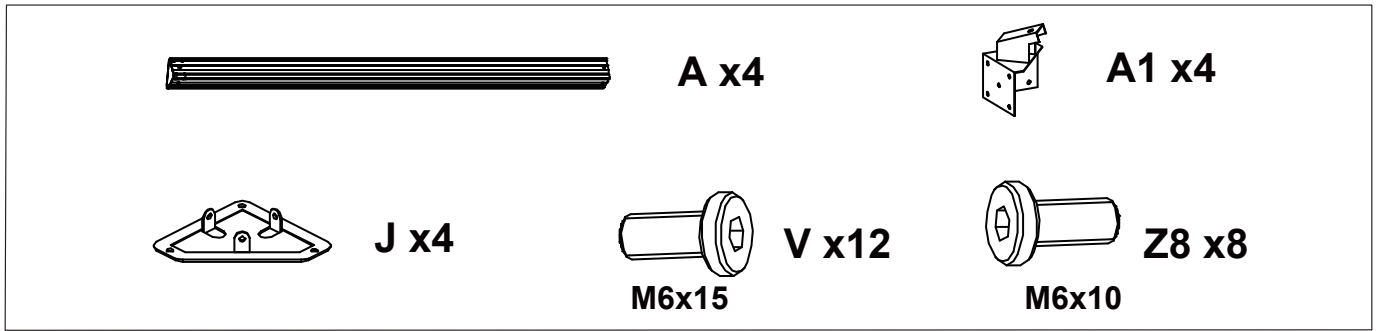
Part Number	Part Image	Description	QTY
M		Corner Beam Cover Plate	8PCS
N		Purlin Connection	4PCS
N1		Four-corner Purlin Connection	4PCS
O		Rafter Connection	4PCS
P		Beam Corner Wrap Trim	4PCS
P1		Roof Tile Bracket	4PCS
Q		Beam decorative parts	4PCS
Q1		Four corner baffle	4PCS
R		Curtain hook	104PCS
T		Rafter Cover Plate	4PCS
U		Tile Pad	32PCS
V	 M6X15	Screw	181PCS
V1	 M6X130	Screw	8PCS
W	 M6X25	Screw	8PCS
X	 M6X48	Screw	24PCS
Y		Screw	32PCS
Z	 4.8X12	Screw	8PCS
Z1		Hook	2PCS
Z2		Hex key	1PC
Z3		Nut	24PCS
Z4		Ground spike	12PCS
Z5		Hex wrench	4PCS
Z7		Track Cap	8PCS
Z8	 M6X10	Screw	8PCS
⑳		Expansion bolt	12PCS

# Part Lists

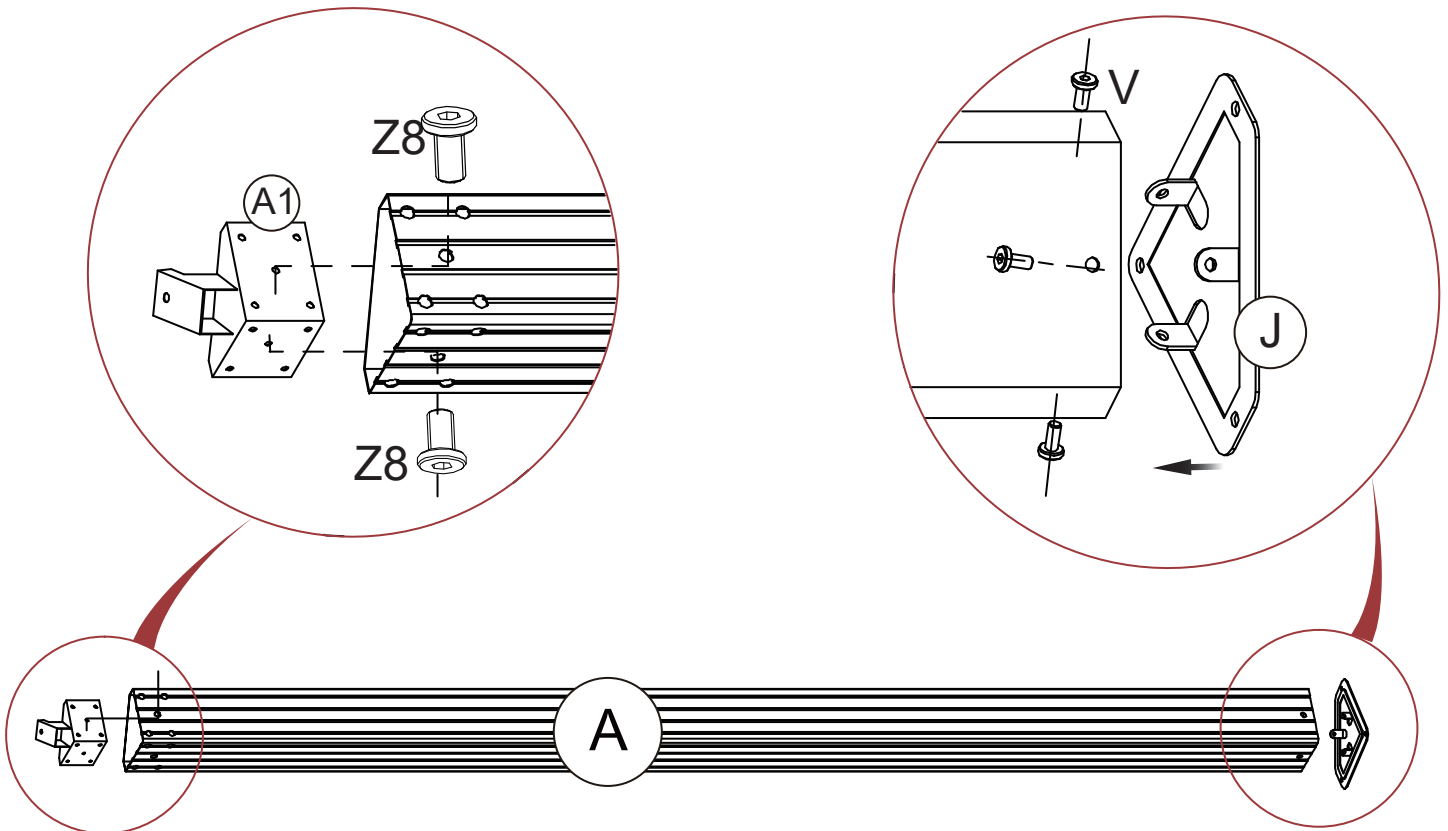
①		2PCS
②		2PCS
③		2PCS
④		2PCS
⑤		2PCS
⑥		2PCS
⑦		2PCS
⑧		2PCS
⑨		2PCS

⑩		2PCS
⑪		2PCS
⑫		2PCS
⑬		2PCS
⑭		2PCS
⑮		2PCS
⑯		2PCS
⑰		2PCS

# STEP 1: Install upright posts



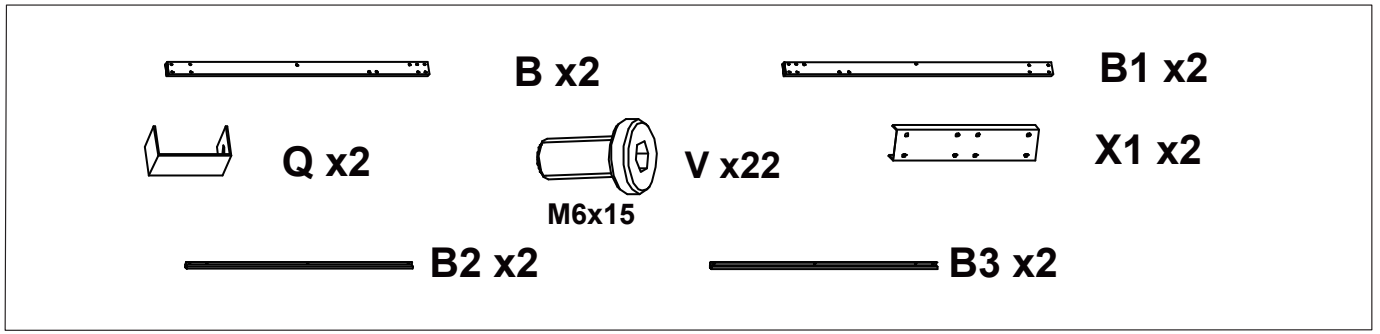
# X4



Insert A1 (4pcs) into A (4pcs) and secure it with Z8 (8pcs)

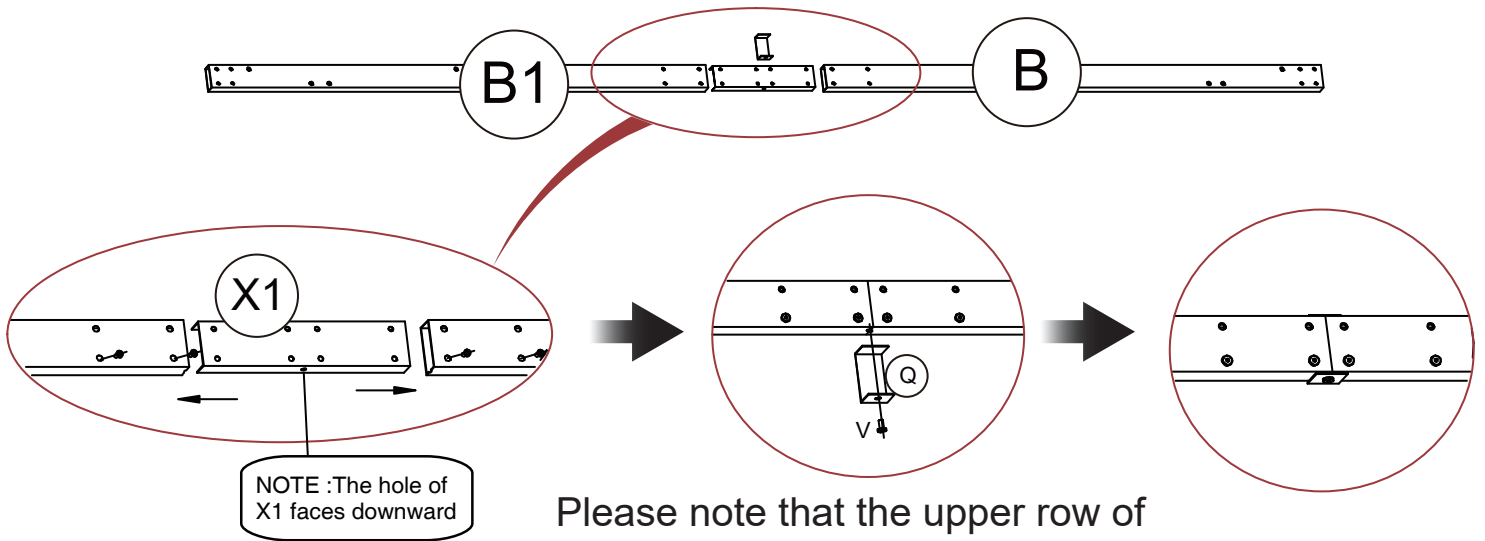
Place J (4pcs) under column A (4pcs) and connect it with V (12pcs) ;

# STEP 2: Install the crossbeam



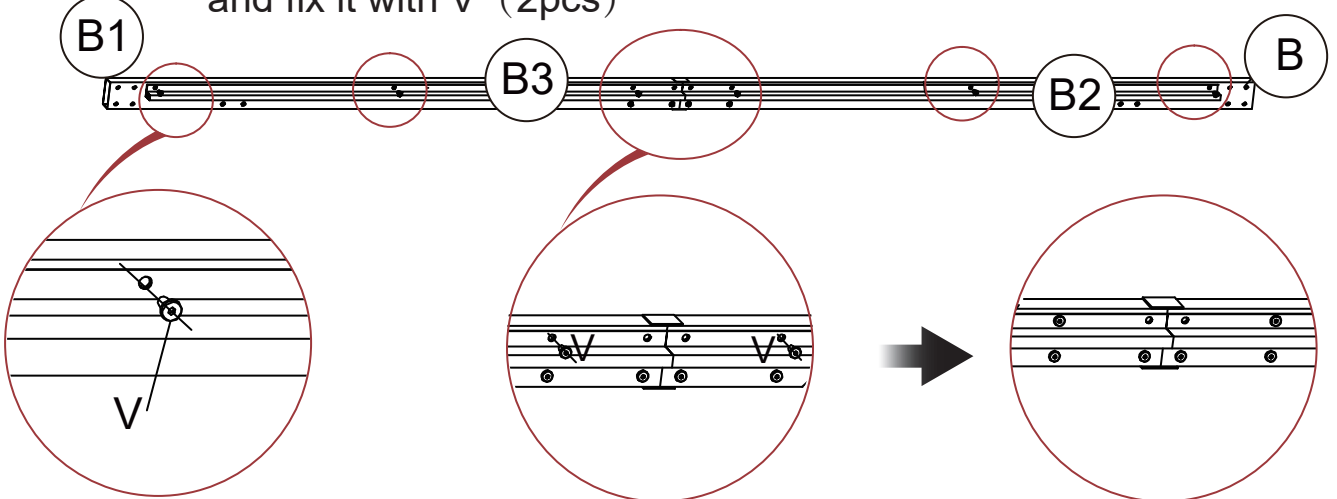
Insert X1 (2pcs) into the interior of B (2pcs) /B1 (2pcs) and fix it with V (8pcs) ,

# X2



Please note that the upper row of holes will not be assembled temporarily;

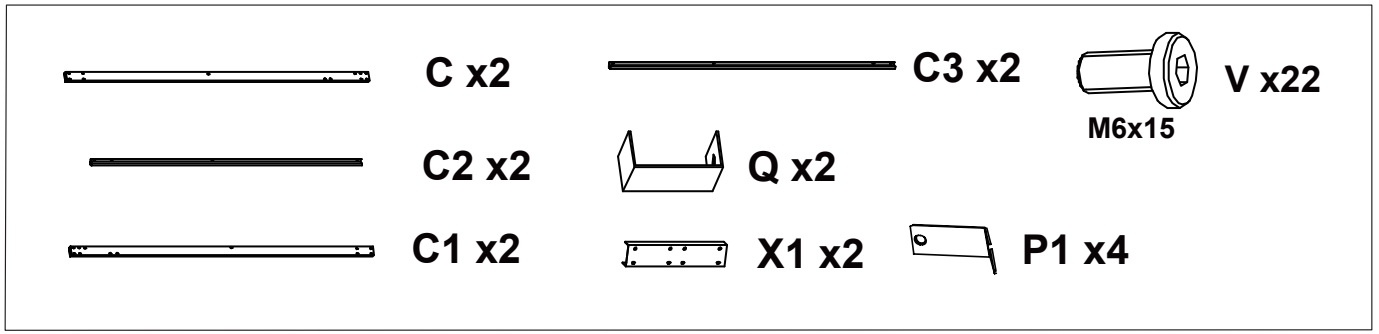
Install Q (2pcs) at the connection of B (2pcs) /B1 (2pcs) and fix it with V (2pcs)



# X3

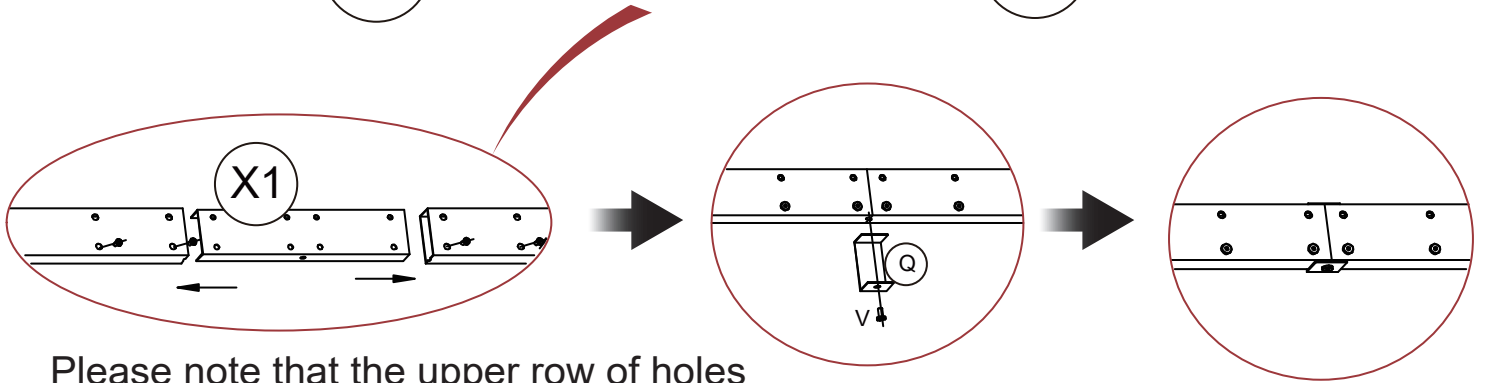
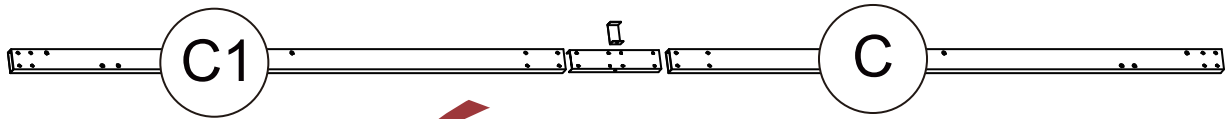
Install B2 (2pcs) /B3 (2pcs) onto B (2pcs) /B1 (2pcs) respectively and fix them with V (12pcs)

# STEP 3: Install the crossbeam



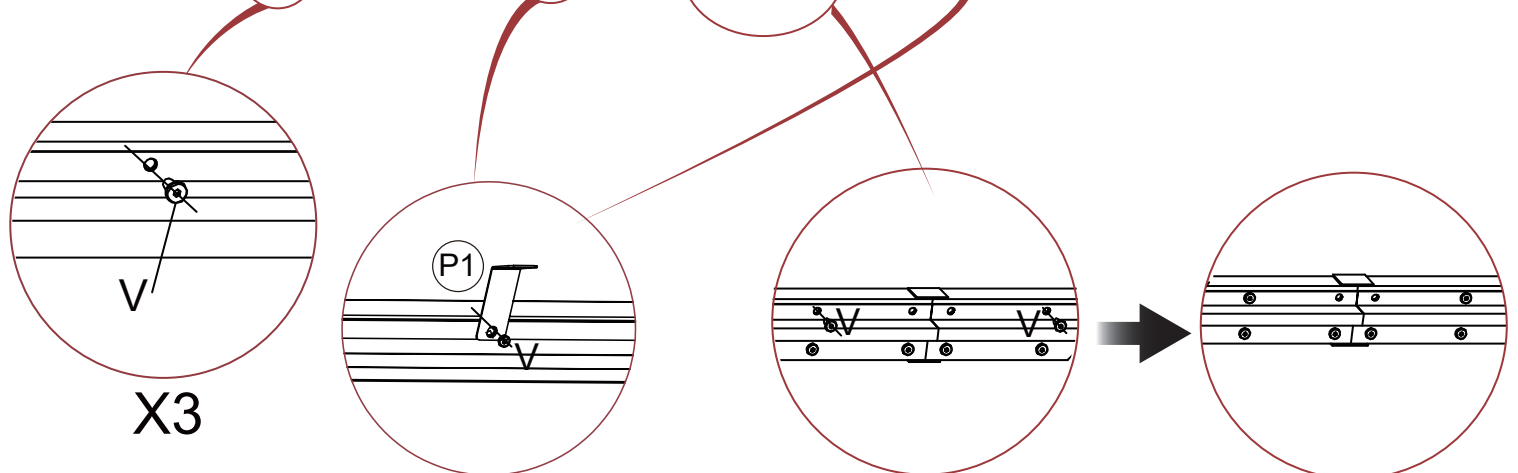
Insert X1 (2pcs) into the interior of C (2pcs) /C1 (2pcs) and fix it with V (8pcs) ,

# X2



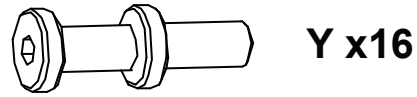
Please note that the upper row of holes will not be assembled temporarily;

Install Q (2pcs) at the connection of C (2pcs) /C1 (2pcs) and fix it with V (2pcs)

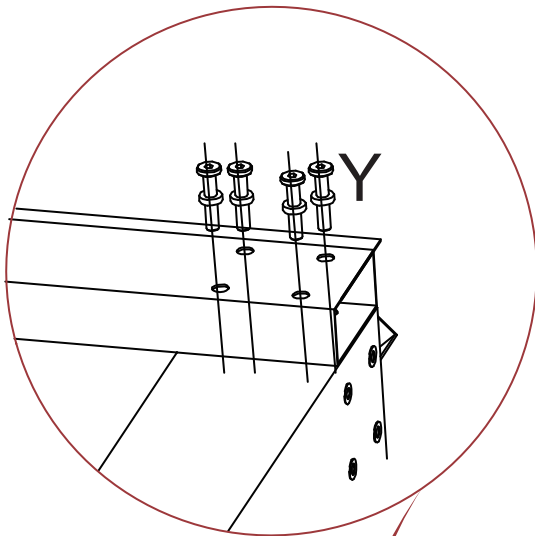


Install C2 (2pcs) /C3 (2pcs) onto C (2pcs) /C1 (2pcs) respectively and fix them with V (12pcs)

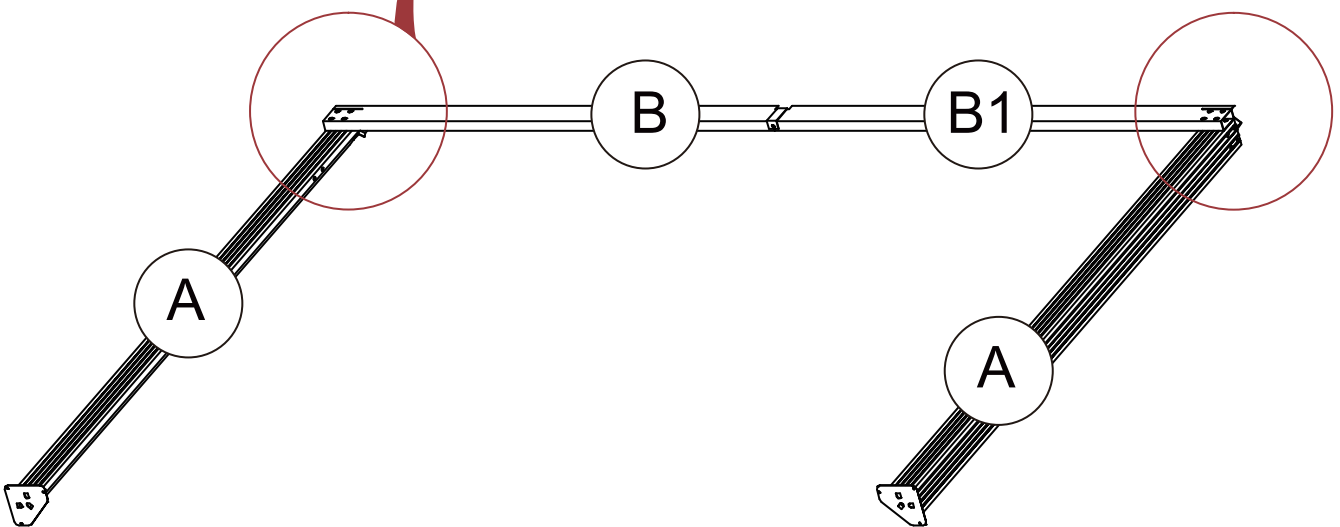
# STEP 4: Assembly Framework



X2

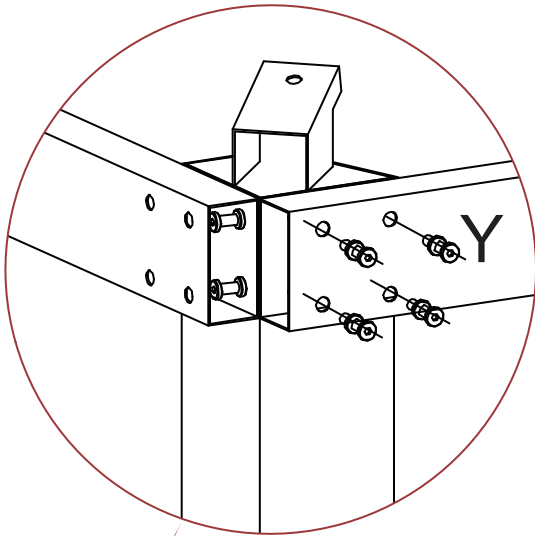
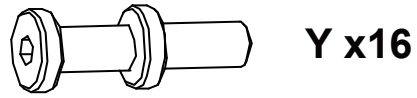


X2



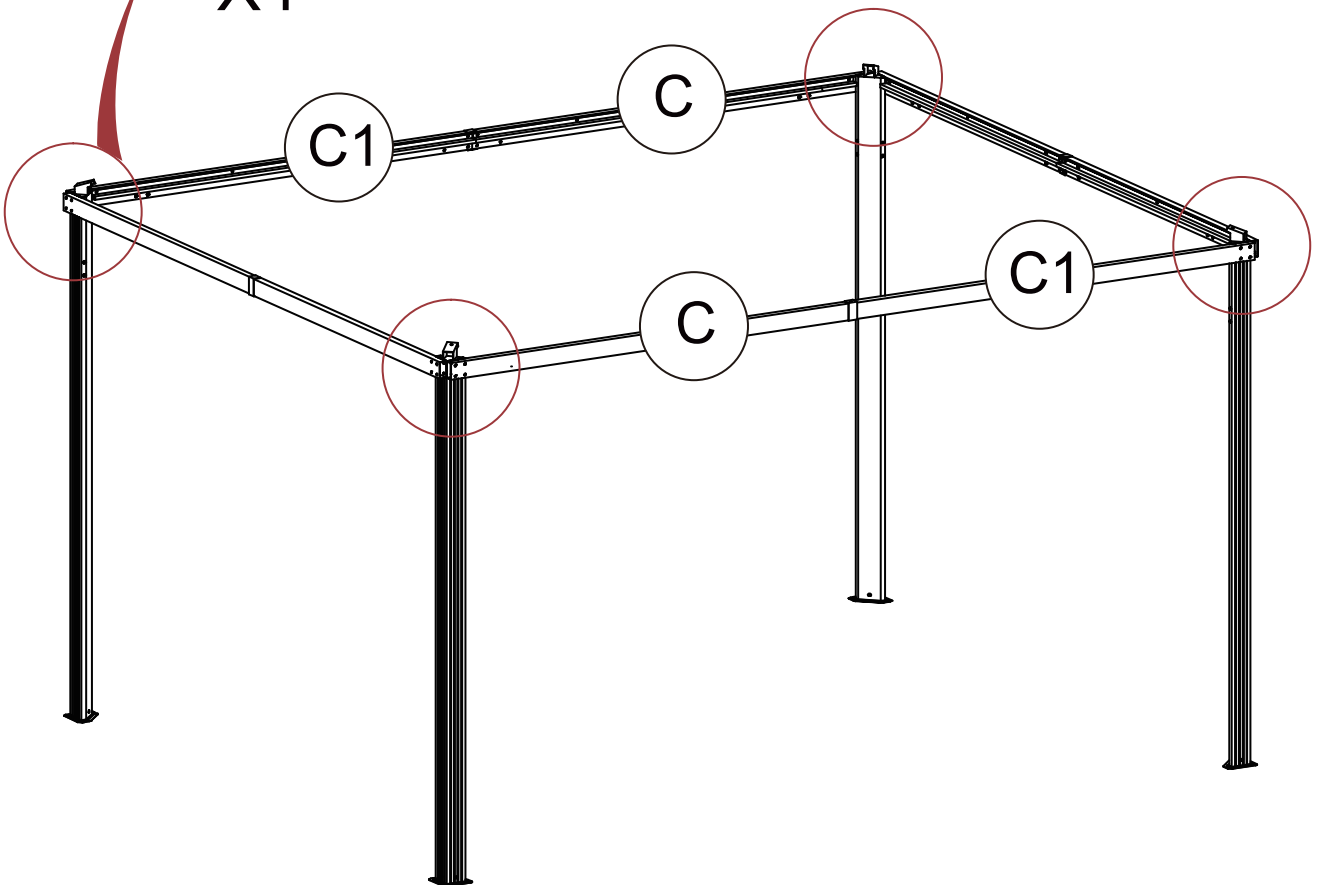
Connect A (2pcs) to B (2pcs) /B1 (2pcs) and fix it with Y (16pcs)

# STEP 5: Assembly Framework

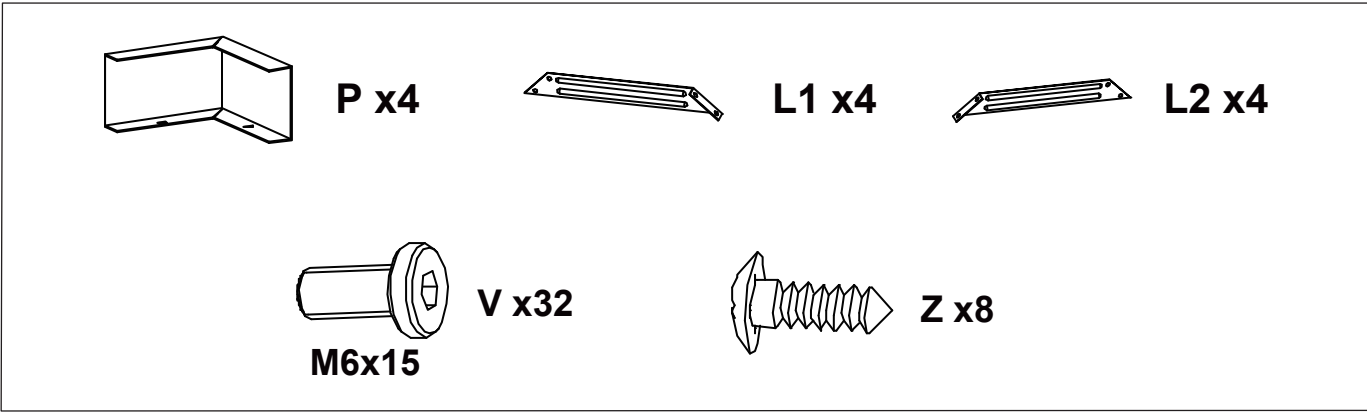


Connect A (2pcs) to C (2pcs) /C1 (2pcs)  
and fix it with Y (16pcs)

X4

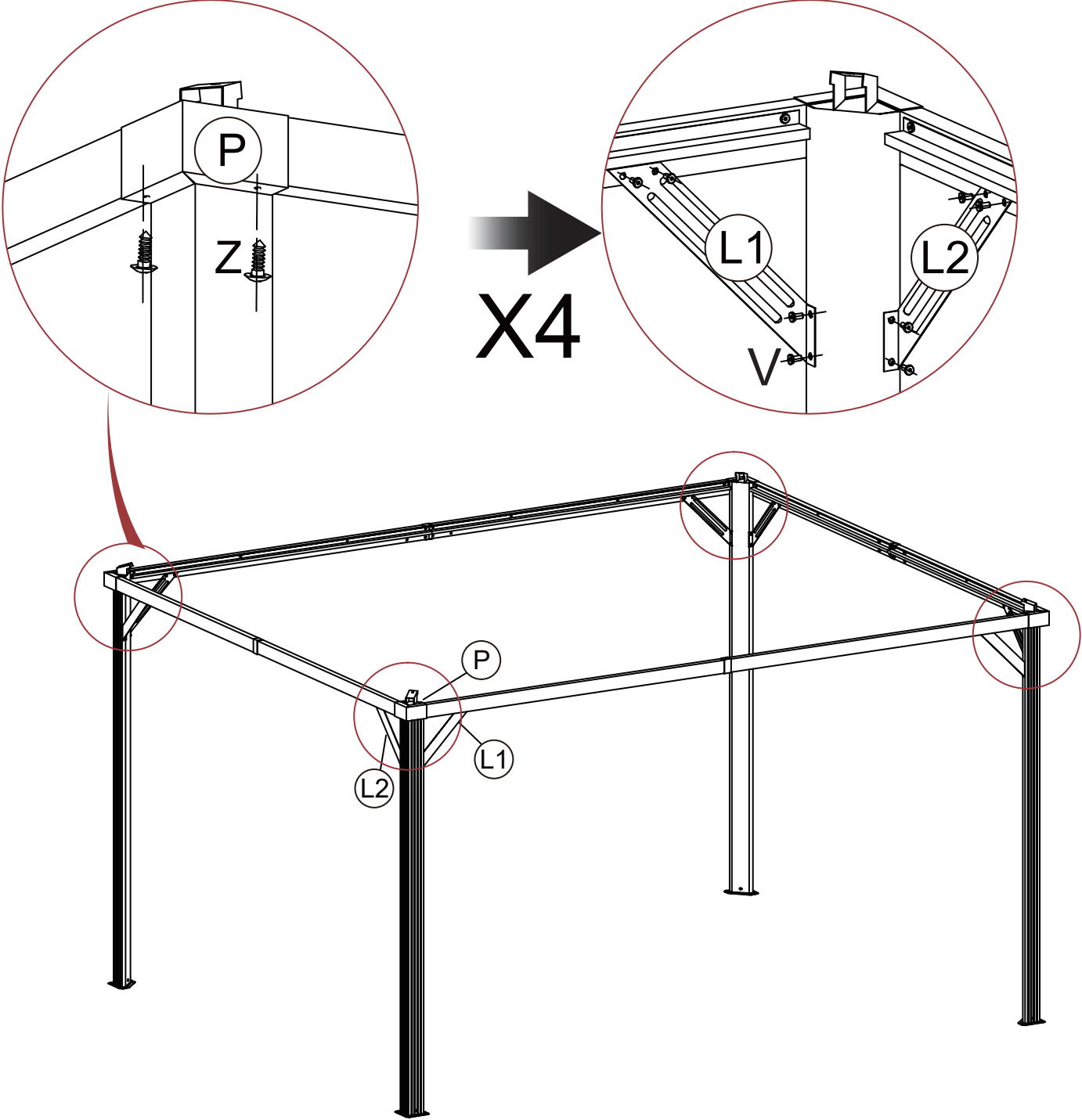


# STEP 6: Assembly Framework

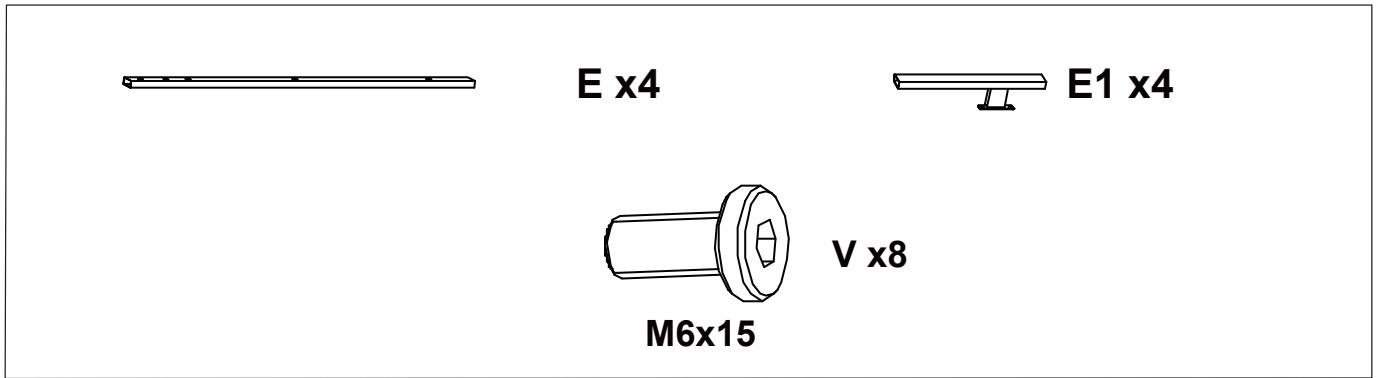


Wrap P (4pcs) around the four corners of the crossbeam and secure them with Z (8pcs)

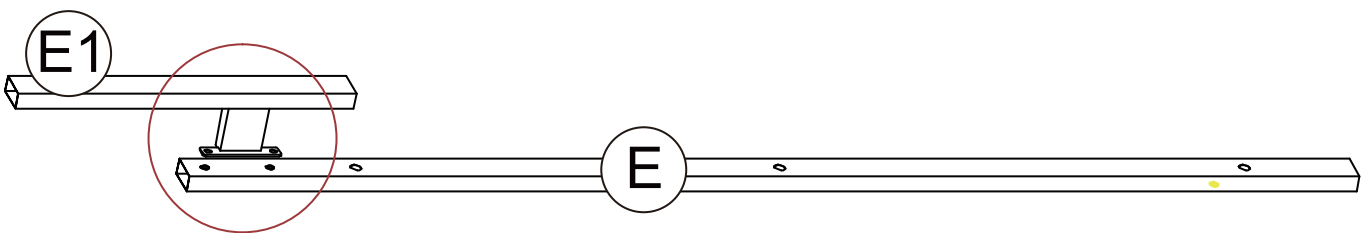
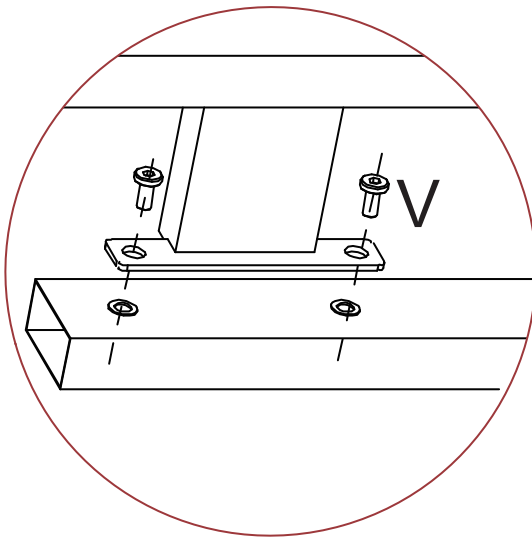
Support the crossbeam and column separately with L1 (4pcs) / L2 (4pcs), and fix them with V (32pcs)



# STEP 7: Install the top bone

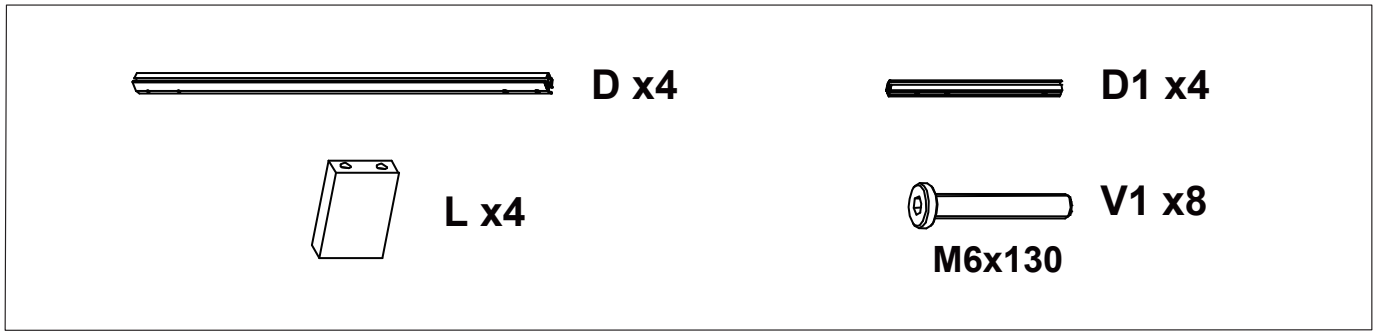


X4

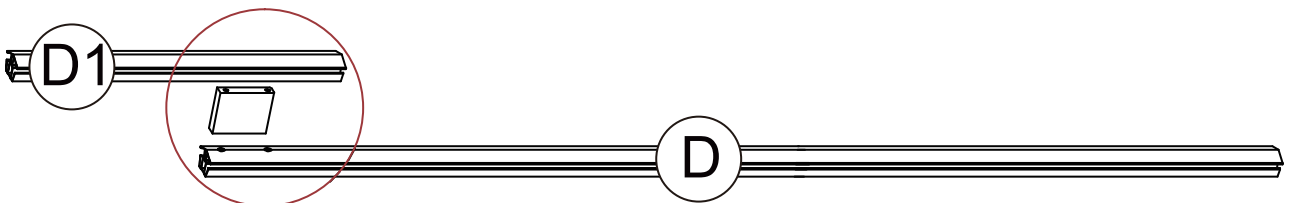
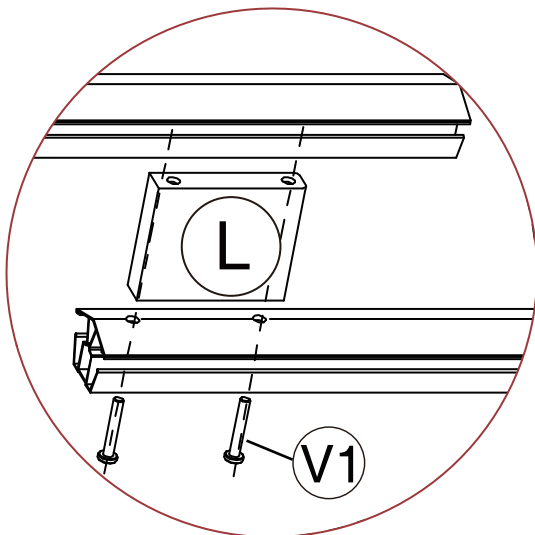


Fix E1 (4pcs) and E with V (8pcs)

# STEP 8: Install the top bone

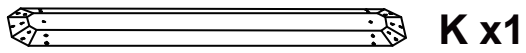


X4

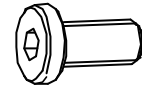


Connect D1 (4pcs) and D (4pcs) with L (4pcs) and fix V1 (8pcs) ;

# STEP 9: Install the skeleton

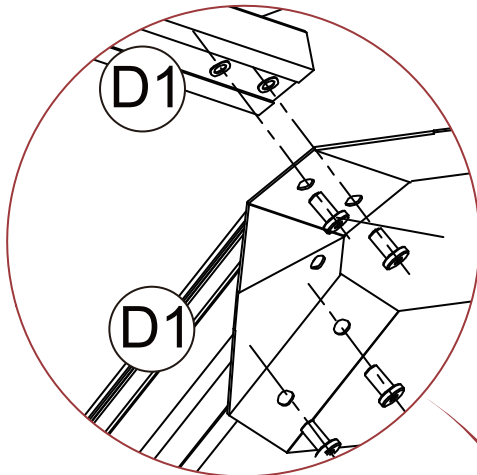


**K x1**

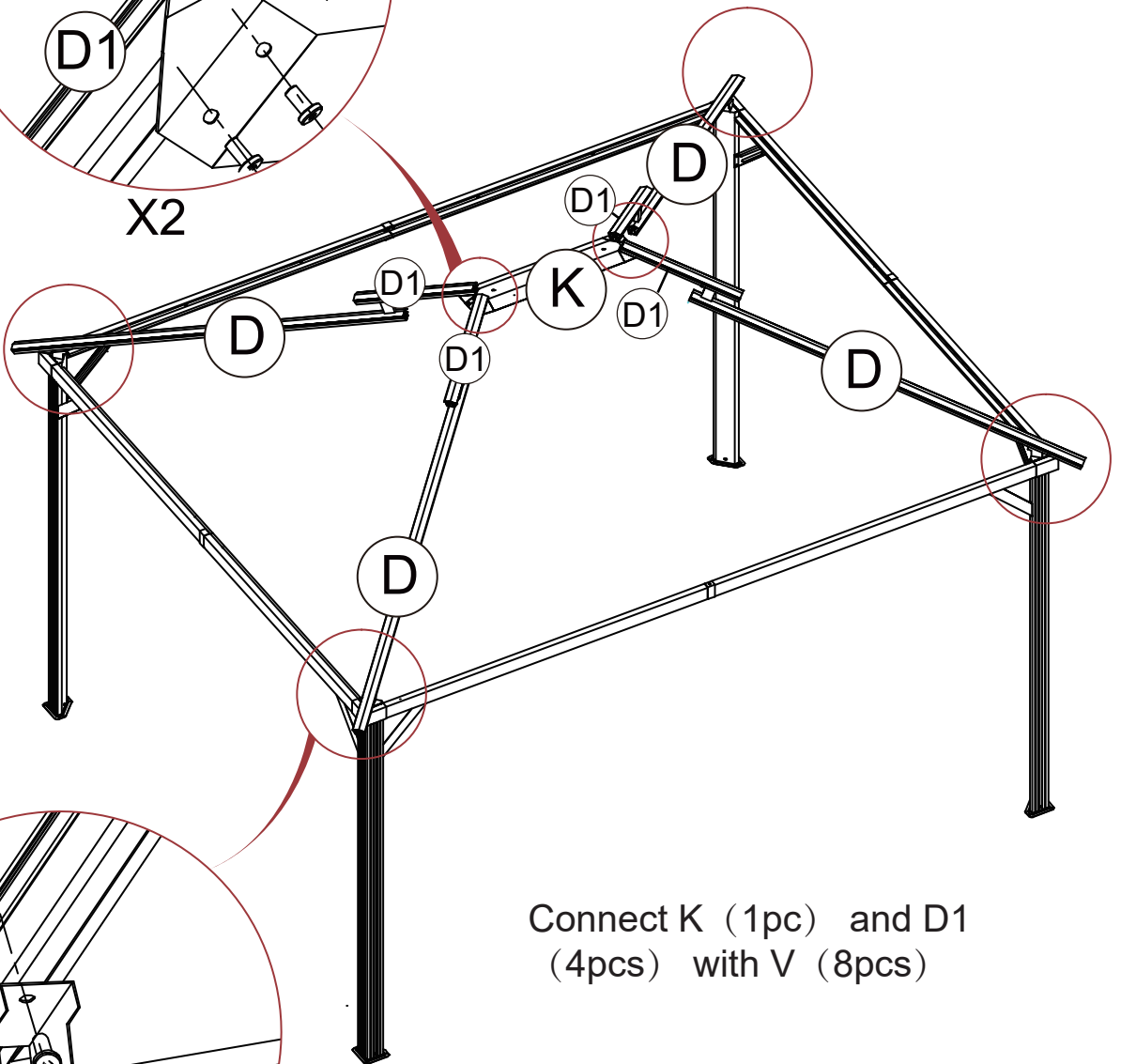


**V x12**

**M6x15**

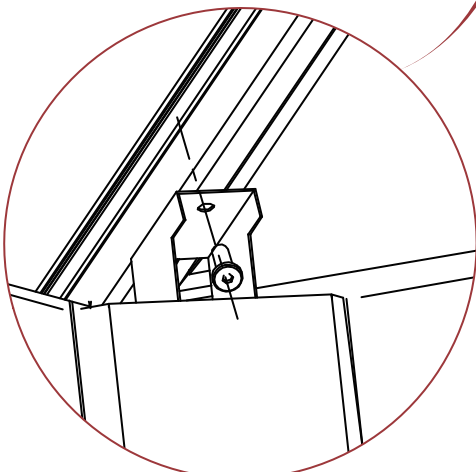


**X2**



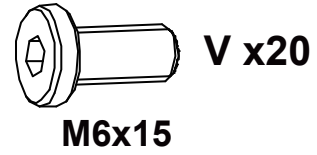
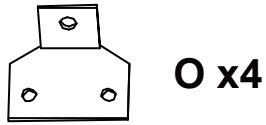
Connect K (1pc) and D1 (4pcs) with V (8pcs)

Connect D (4pcs) to A1 (4pcs) and fix it with V (4pcs)



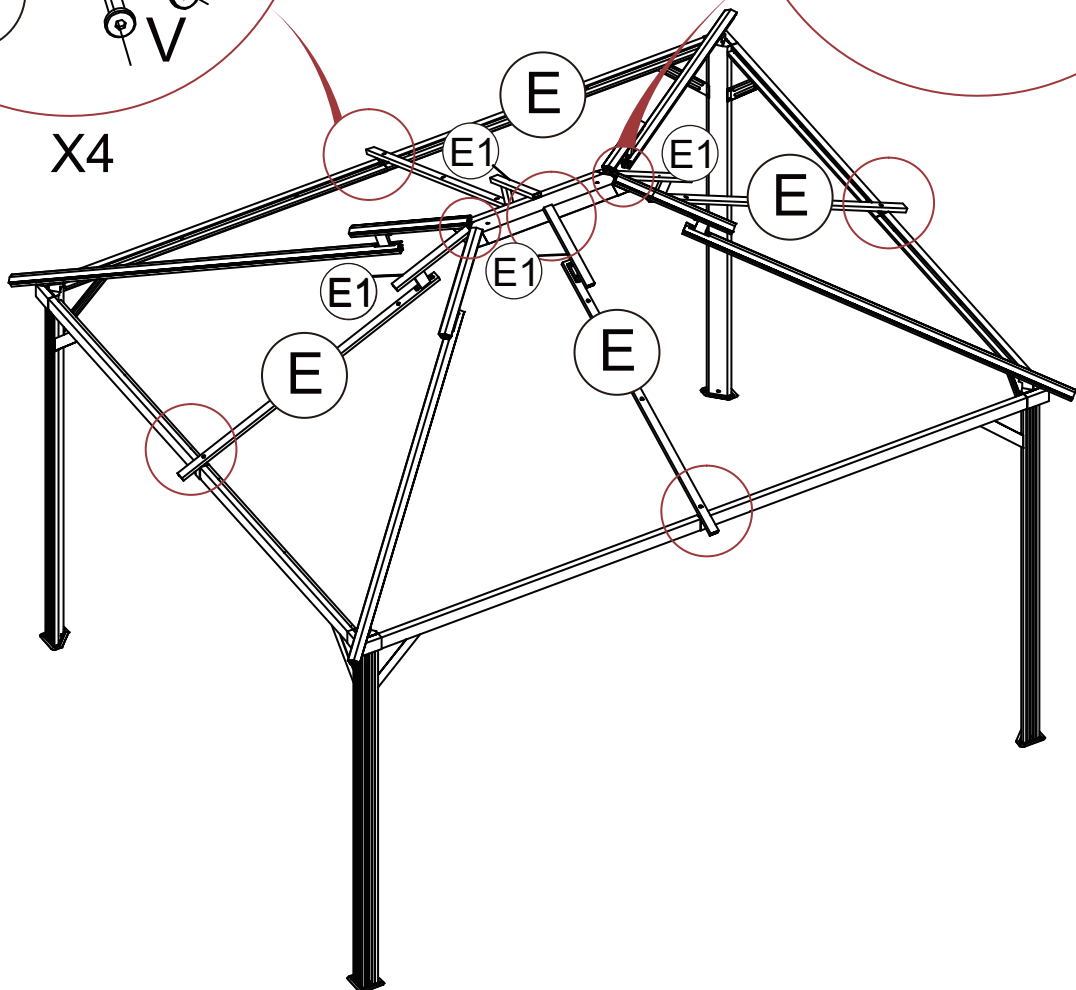
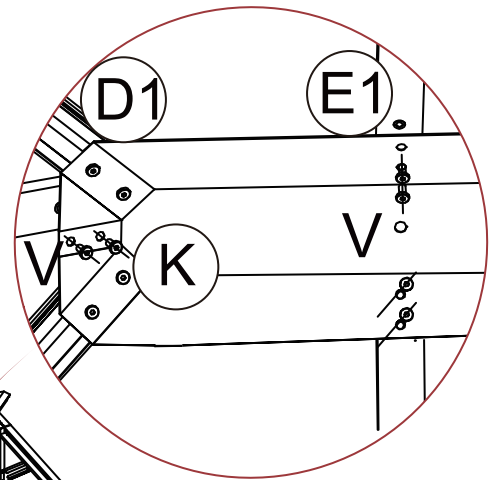
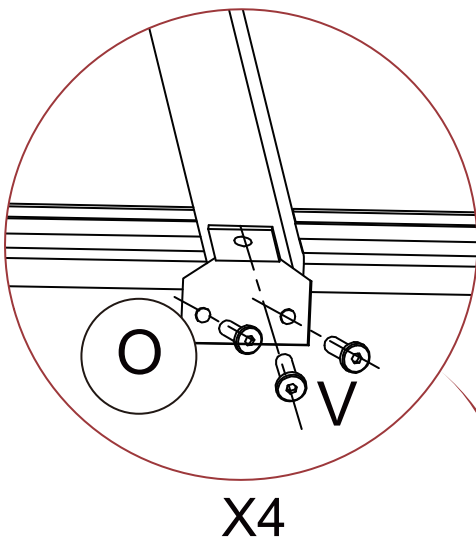
**X4**

# STEP 10: Install the skeleton

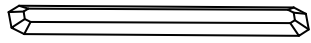


Fix E1 (4pcs) and  
K (1pc) with V (12pcs)

Place E (4pcs) at the center of the crossbeam  
and fix it with V (8pcs) to O (4pcs)



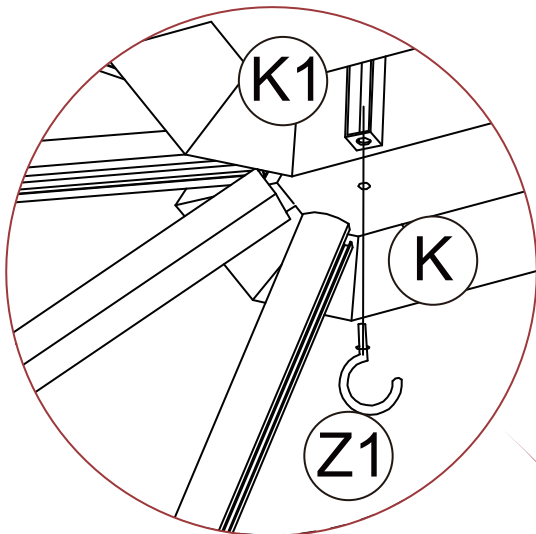
# STEP 11: Install the top bone



K1 x1

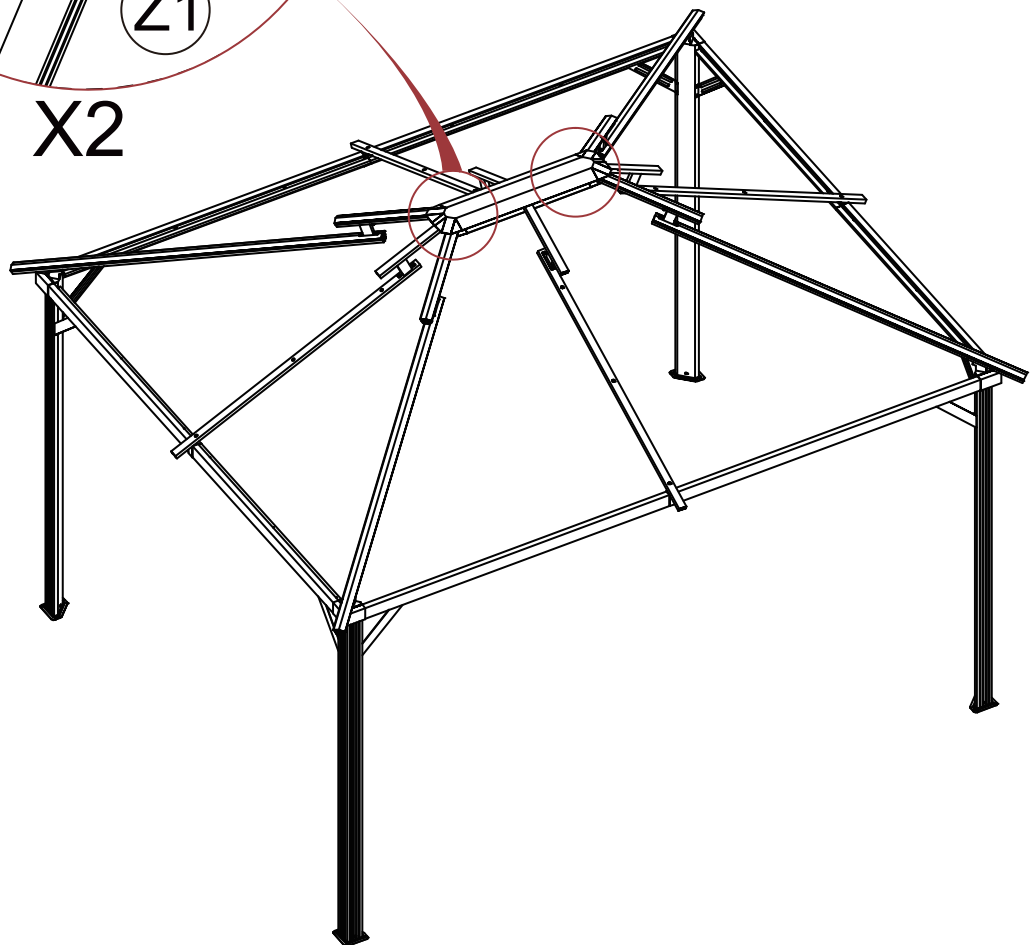


Z1 x2

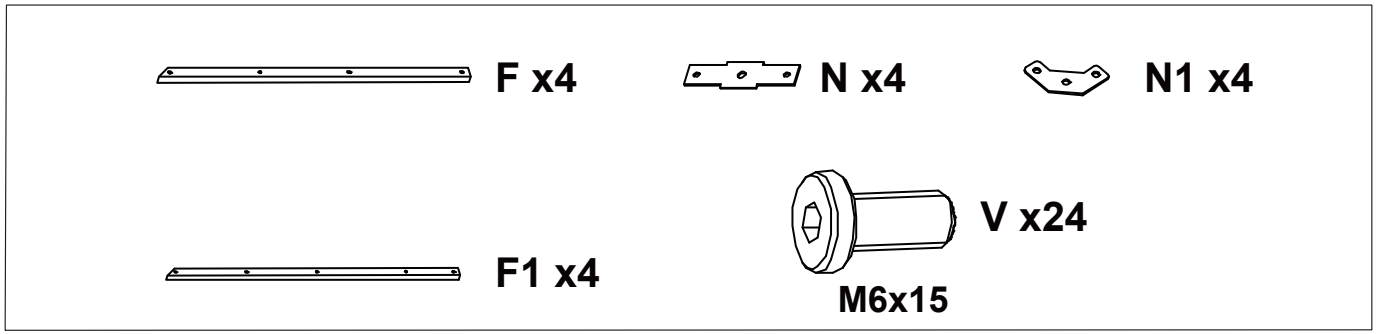


Connect K (1pc) and K1 (1pc)  
with Z1 (2pcs)

X2

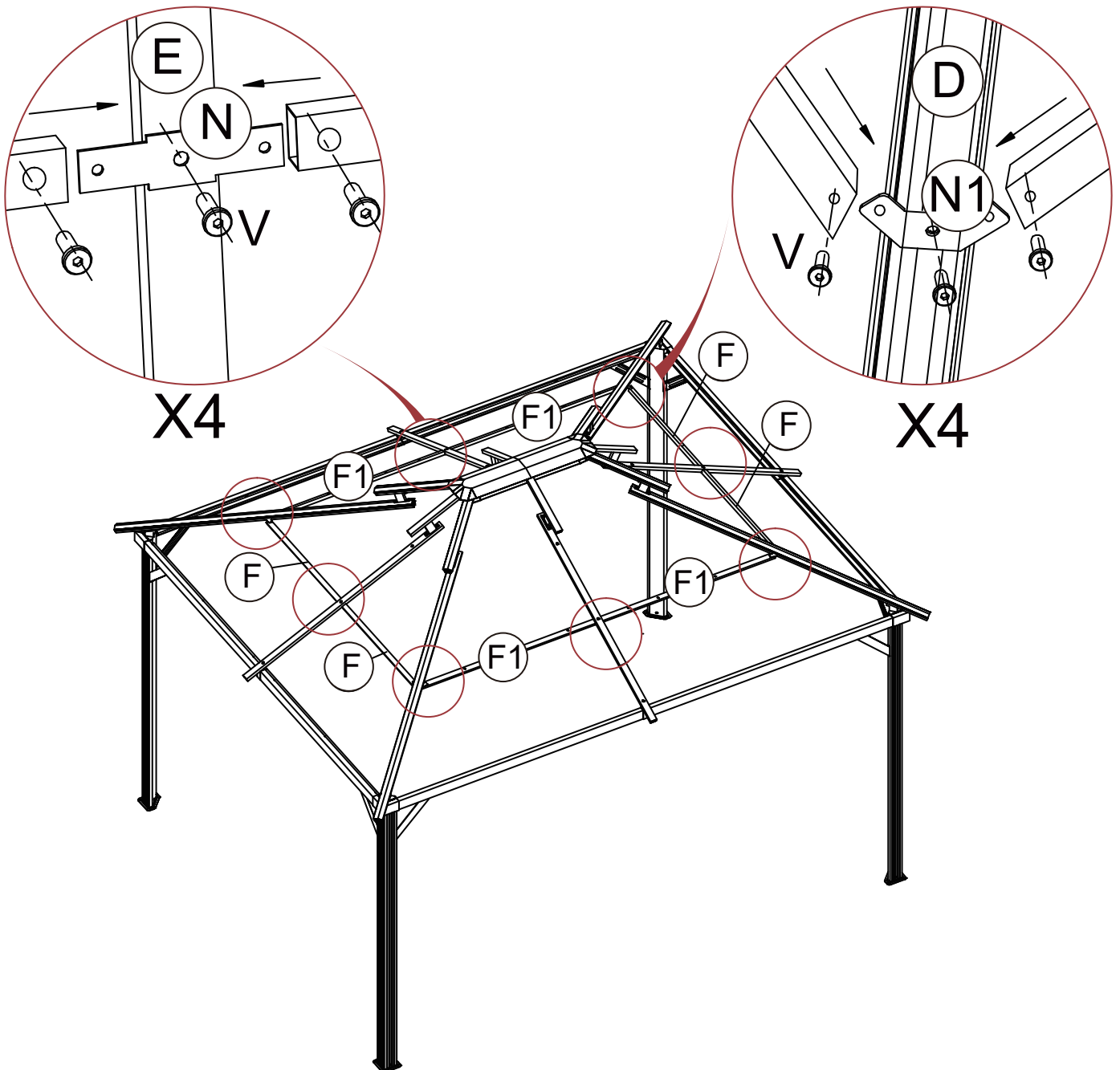


# STEP 12: Install the top frame

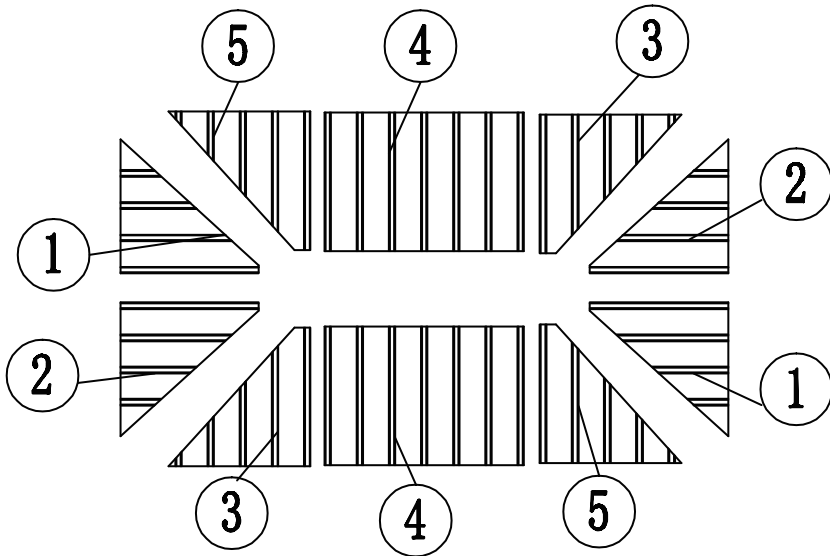
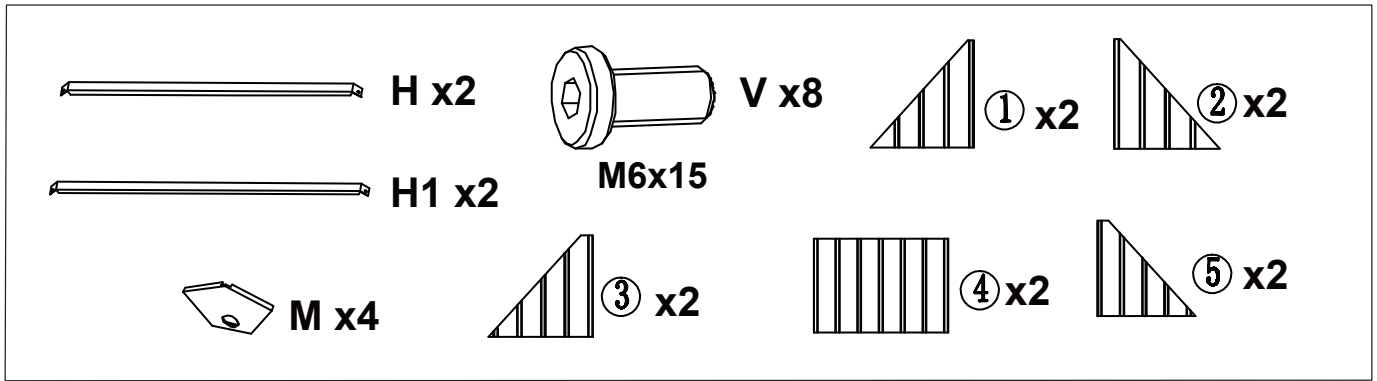


Fix N1 (4pcs) on D (4pcs) with V (12pcs) and insert it into F (4pcs) /F1 (4pcs)

Insert N (4pcs) into the other end of F (4pcs) /F1 (4pcs) and fix it on E (4pcs) with V (12pcs) ,



# STEP 13: Install iron sheet

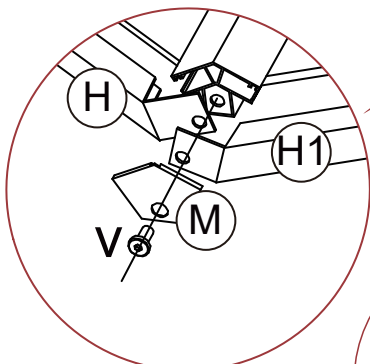
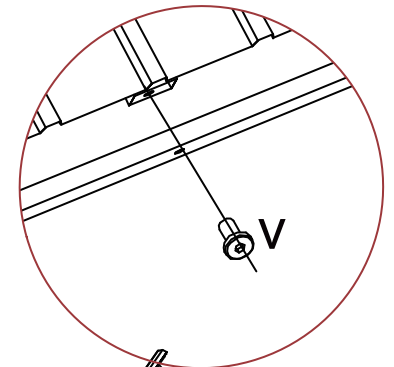
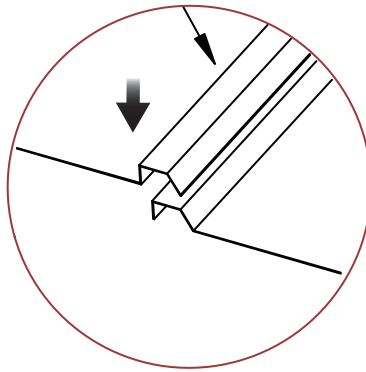
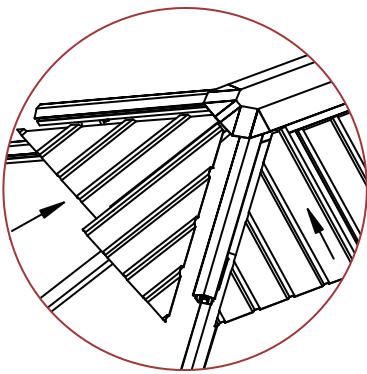


Press the edges of ① (2pcs) and ② (2pcs) together and insert them into the D1 (2pcs) card slot

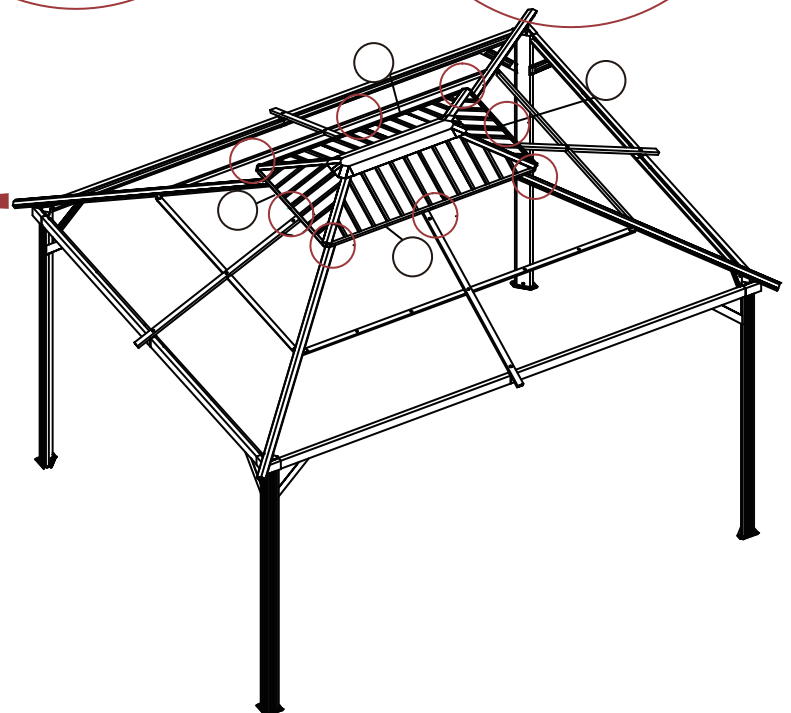
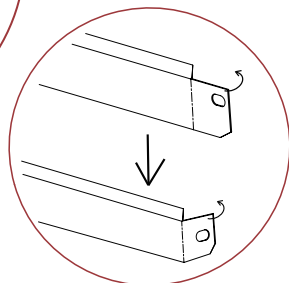
Insert H (2pcs) into the edges of ① (2pcs) and ② (2pcs), and fix the middle hole with V (2pcs) and E1 (2pcs)

Insert ③ (2pcs) / ④ (2pcs) / ⑤ (2pcs) into the D (2pcs) / E (2pcs) card slot, and use H1 (2pcs) to clamp the edges of ③ (2pcs) / ④ (2pcs) / ⑤ (2pcs), fixing them to E (4pcs) with a V (2pcs) in the middle

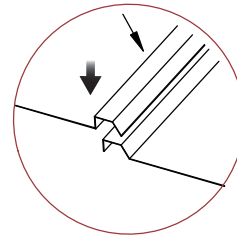
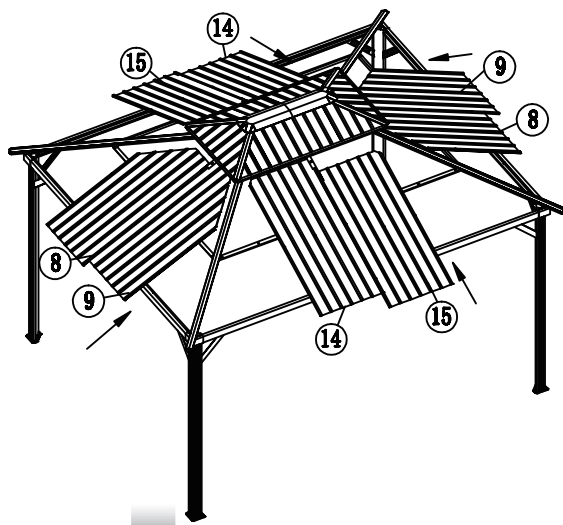
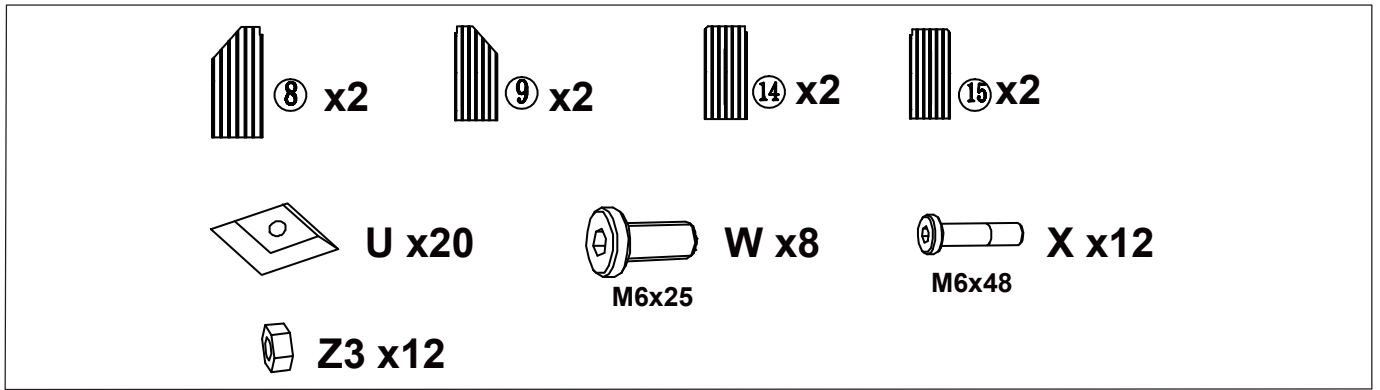
Bend the corners of H (2pcs) / H1 (2pcs) and fix M (4pcs) on D with V (4pcs)



X4

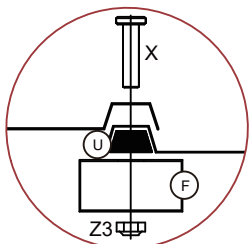


# STEP 14: Install iron sheet

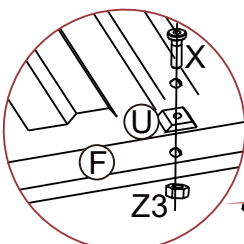


Press the edges of ⑧ (2pcs) / ⑨ (2pcs) / ⑭ (2pcs) / ⑮ (2pcs) together and insert them into the D (4pcs) card slot

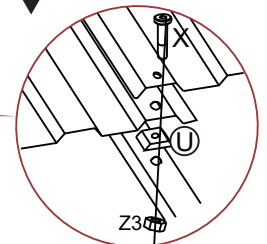
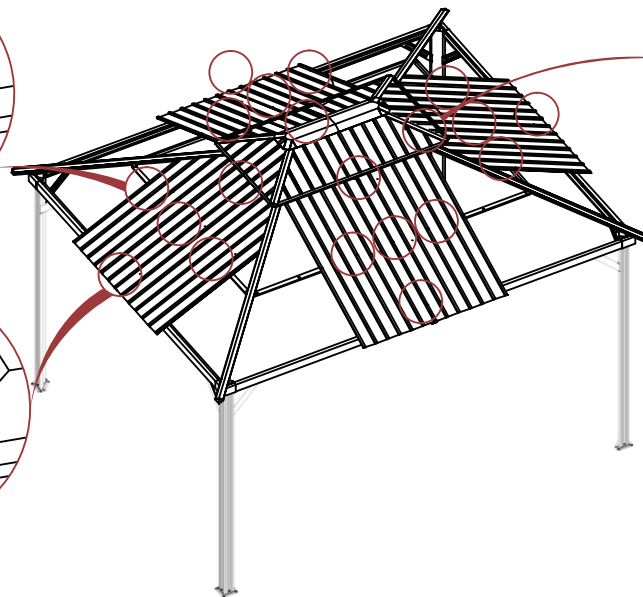
Pass X (4pcs) through the hole at the top of the overlapping area of ⑧/⑨/⑭/⑮ place U (4pcs) on it, and fix it together with Z3 (4pcs) on top of E;



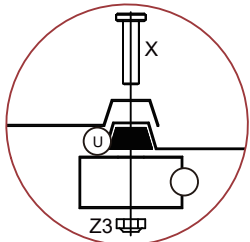
SIDE VIEW



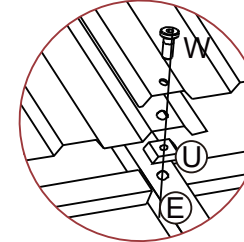
X8



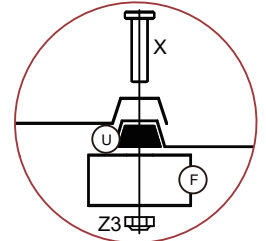
X4



SIDE VIEW



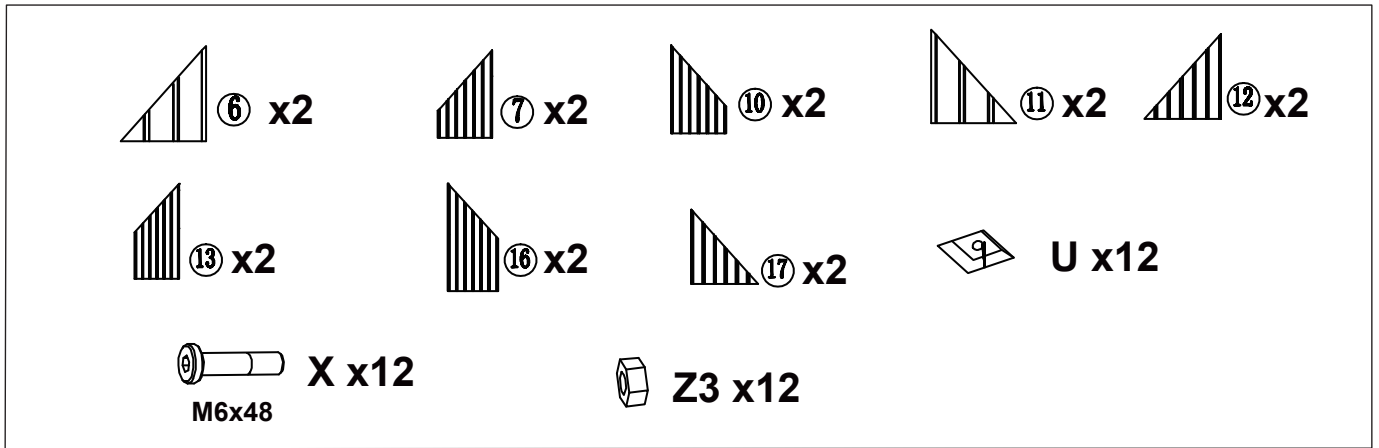
X8



SIDE VIEW

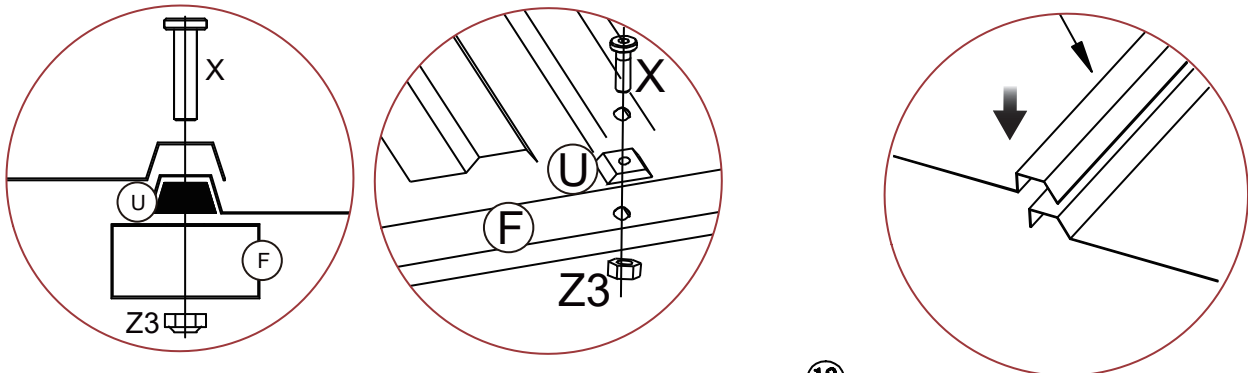
Pass W (8pcs) through the two holes below the overlapping area of ⑧/⑨/⑭/⑮, place U (8pcs) on top, and fix it on top of E;  
 Pass X (4pcs) through the hole at the top of the overlapping area of ⑧/⑨/⑭/⑮ place U (4pcs) on it, and fix it together with Z3 (4pcs) on top of E;  
 Pass X (4pcs) through the hole at the top of the overlapping area of ⑧/⑨/⑭/⑮ place U (4pcs) on it, and fix it together with Z3 (4pcs) on top of E;

# STEP 15: Install iron sheet

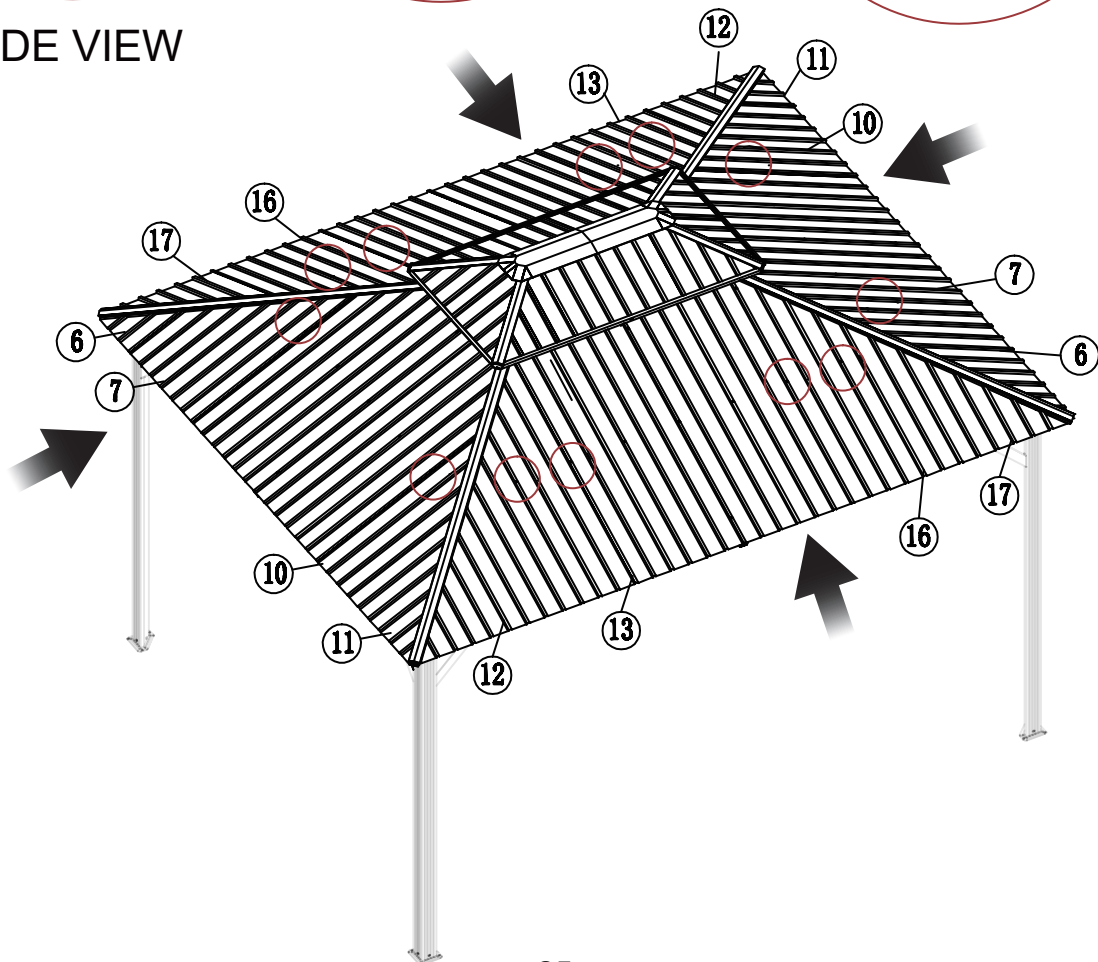


Insert ⑥ (2pcs) / ⑦ (2pcs) / ⑩ (2pcs) / ⑪ (2pcs) / ⑫ (2pcs) / ⑬ (2pcs) / ⑯ (2pcs) / ⑰ (2pcs) into the D card slot

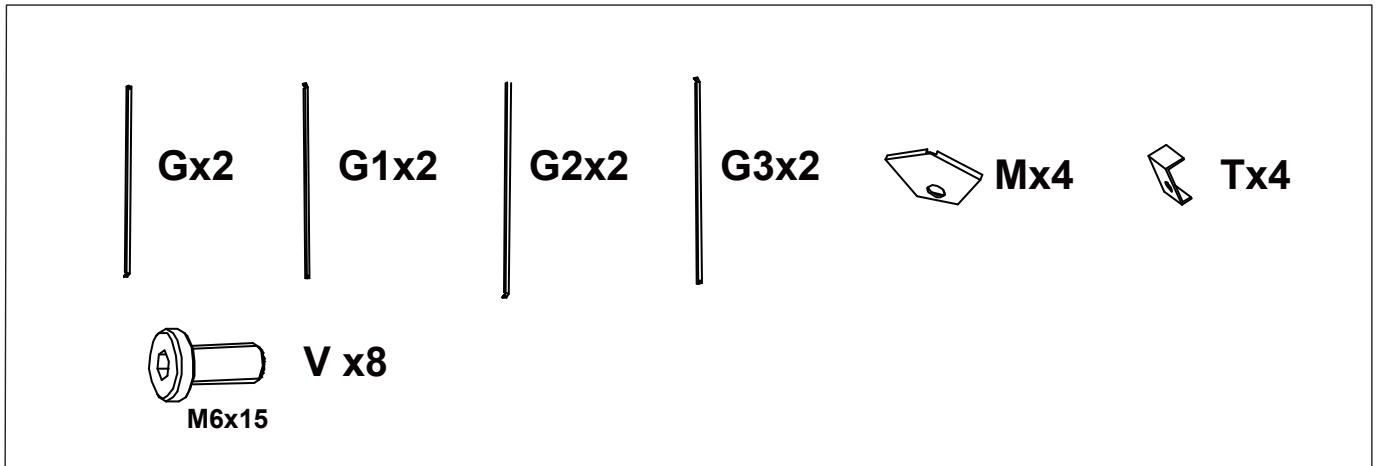
Pass X through the overlapping edge of the iron sheet, then place U (12pcs) on top and fix it on F with Z3 (4pcs)



SIDE VIEW

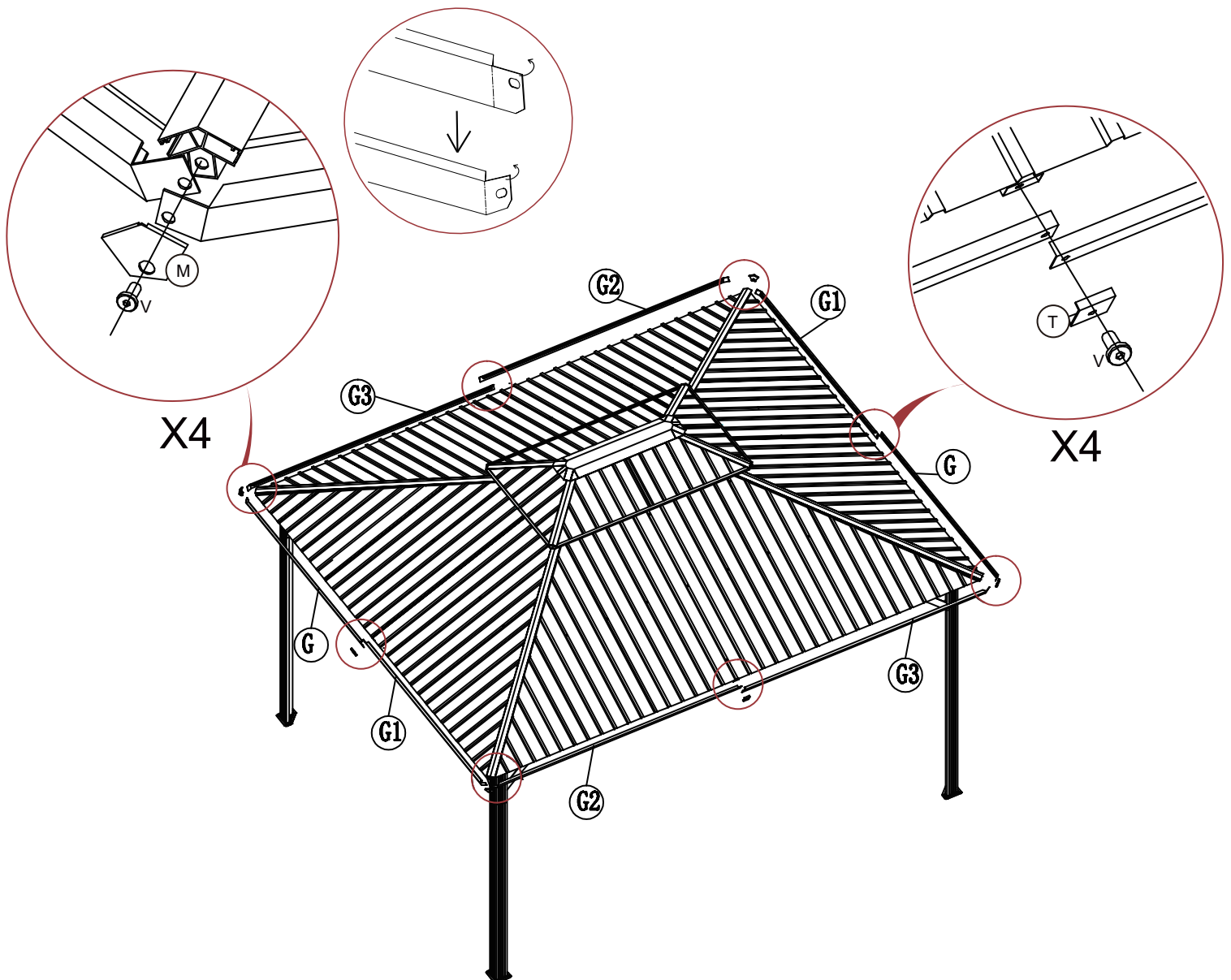


# STEP 16: Install iron sheet

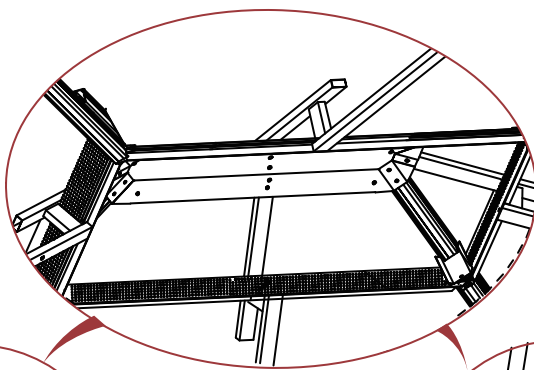
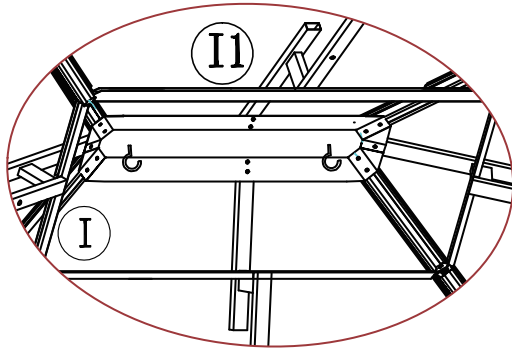
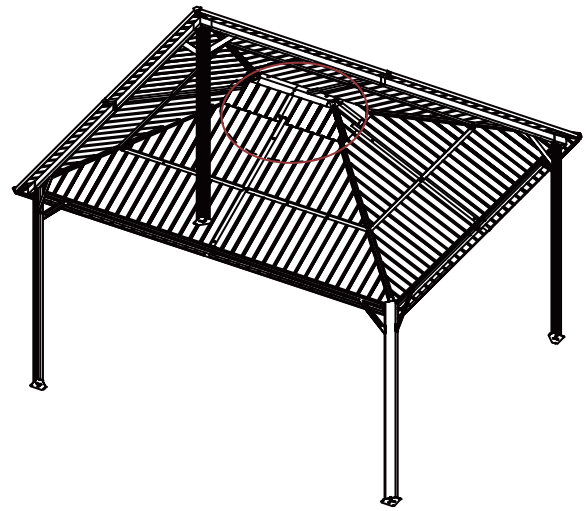
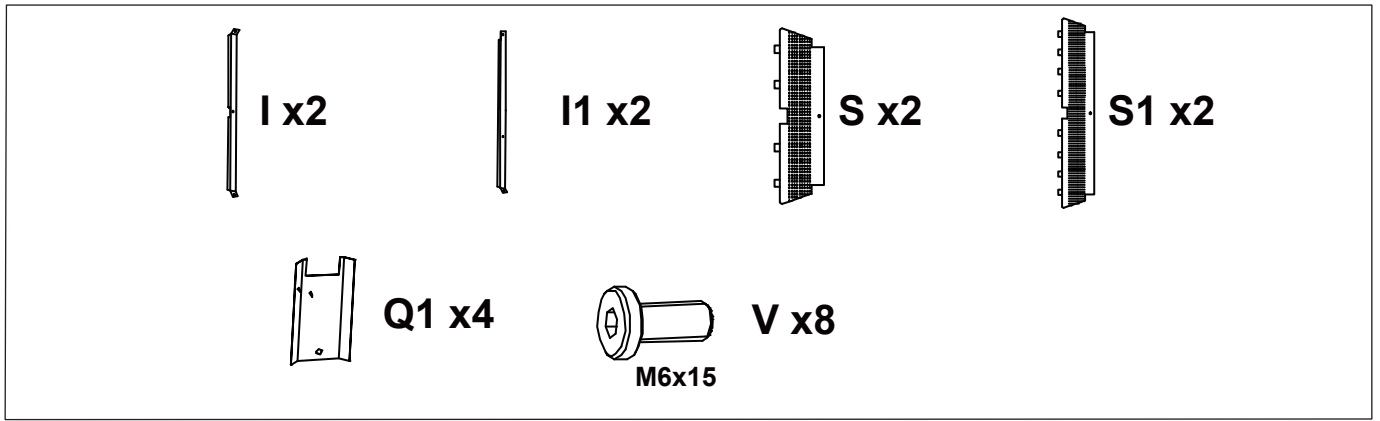


Insert G/G1 into the edge of the iron sheet, and cover the overlapping part in the middle with T,

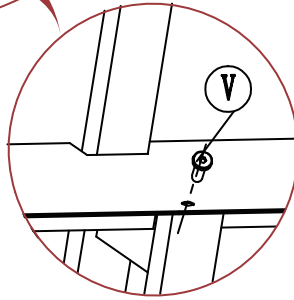
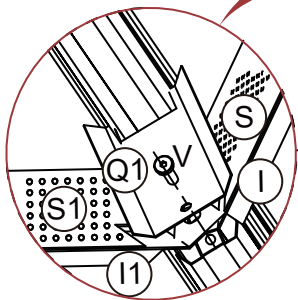
Overlap the positions of the four corners, cover with M, and fix with V on D;



# STEP 17: Install the inner top



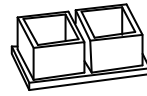
Insert I (2pcs) /I1 (2pcs) into the edge of the metal sheet, stack S/S1 on top of I/I1, and finally use Q1 (4pcs) to overlap the four corners of I (2pcs) /I1 (2pcs) /S (2pcs) /S1 (2pcs) and fix them to D/D1 with V (8pcs)



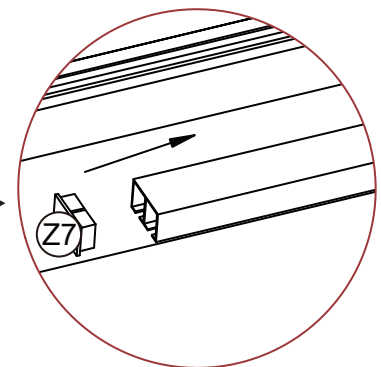
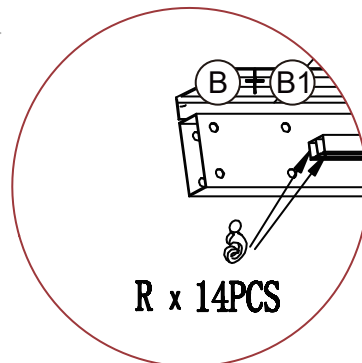
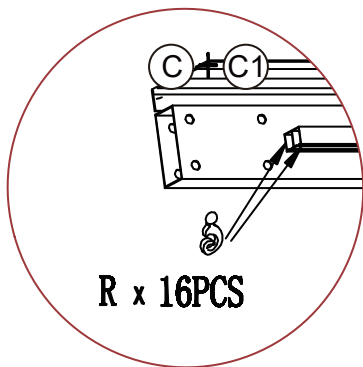
# STEP 18: Install fence accessories



**R x104**



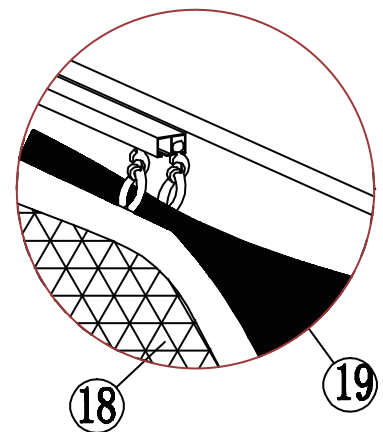
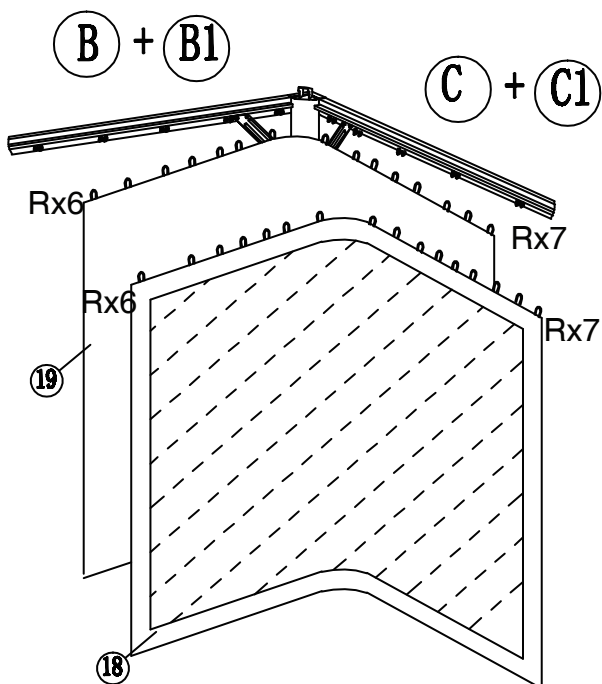
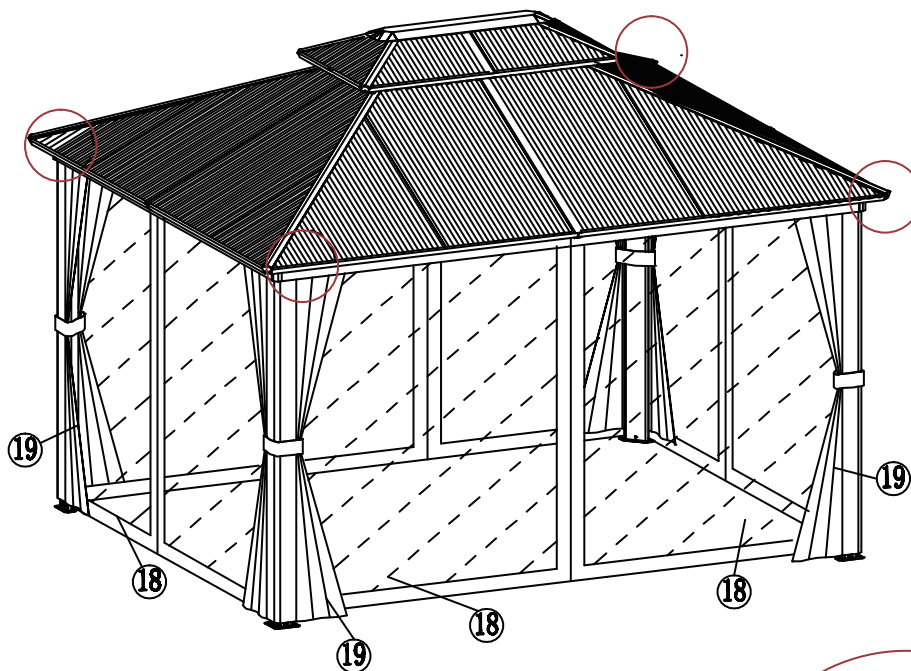
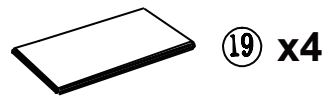
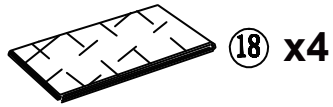
**Z7 x8**



Insert R (104pcs) into the slot of the crossbeam and block the slot with Z7 (8pcs)

Attention: There are 2 card slots, with the plastic hooks of the outer slot facing outward and the plastic hooks of the inner slot facing inward

# STEP 19: Install curtain and mesh



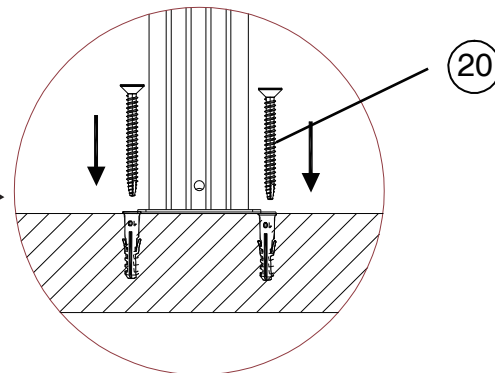
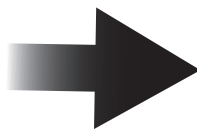
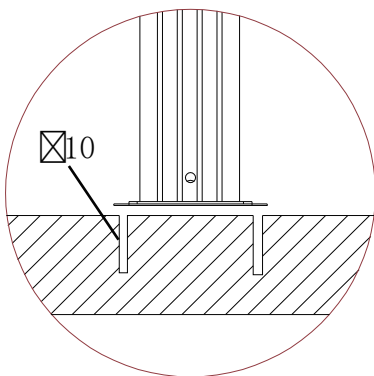
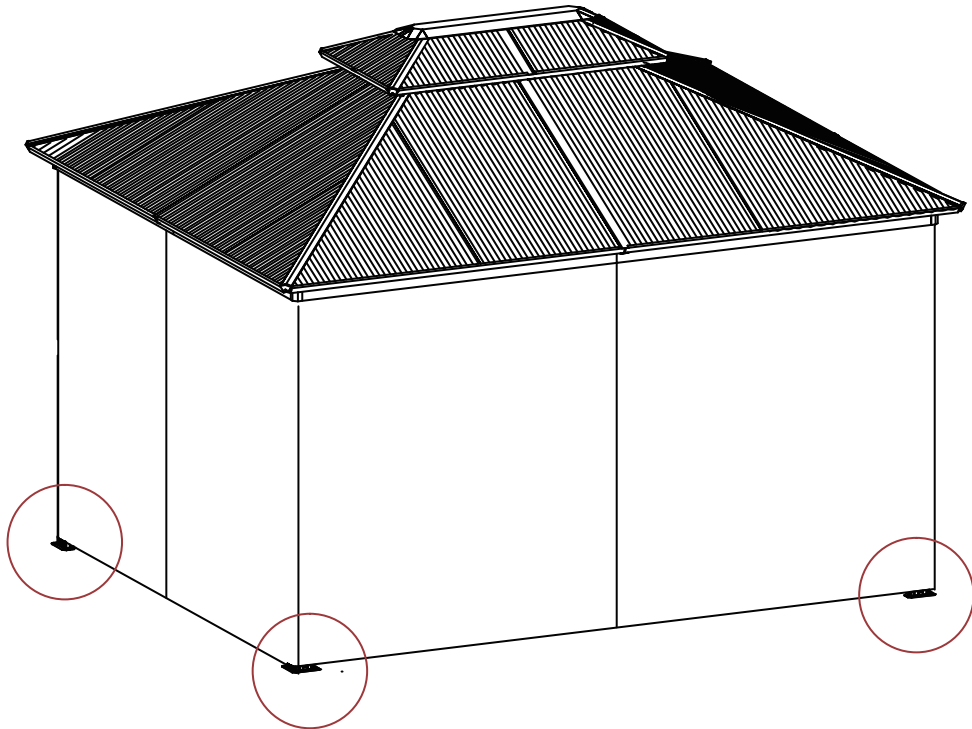
Hang the curtain ①9 on the plastic hook of the outer groove, and hang the mesh ①8 on the plastic hook of the inner groove

# STEP 20: Install ground nails

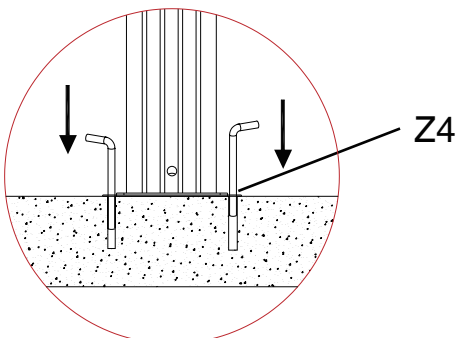
Z4 x12



20 x12



OR



The Z4 (12pcs) ground nail fastener can be used in garden soil terrain, and the expansion screw 20 (12pcs) can be used in concrete terrain, requiring the use of a 10 bit drill to drill holes