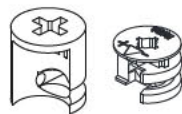


TvStand

assembly guide

getting familiar with the main components

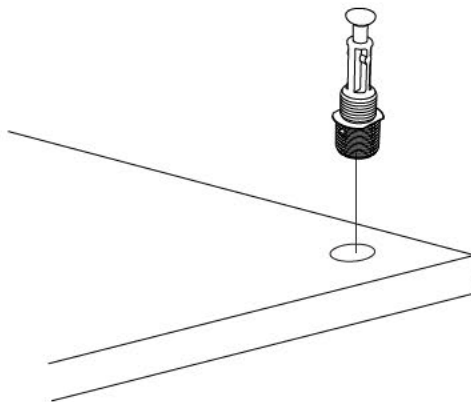
*Minifix is the main connection component used in products. Before starting, please check the below figures



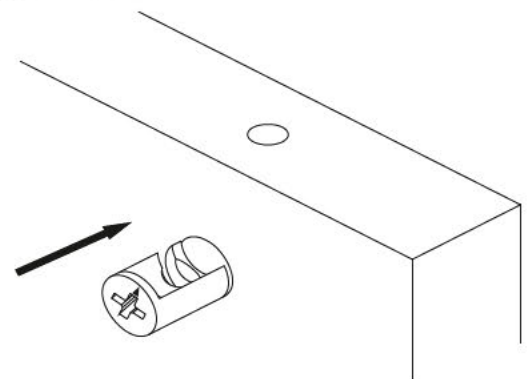
MINIFIX HEAD



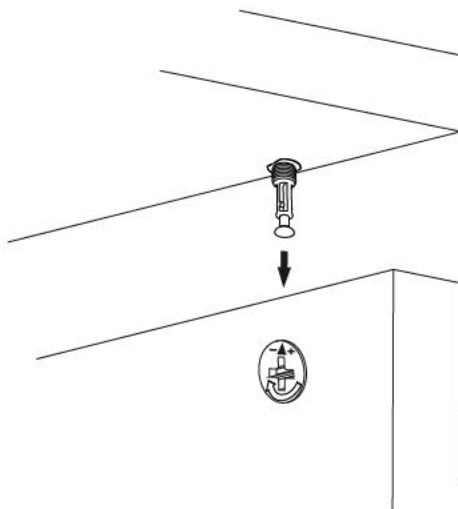
MINIFIX SCREW



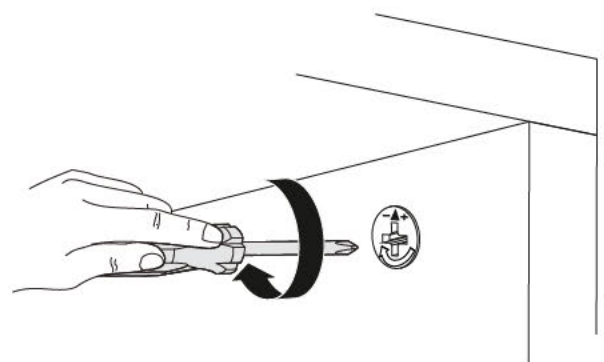
*Please notice that there is an small arrow on A02 (minifix head). This arrow should show the direction of upper hole.











*After attaching two pieces please turn the A02 (minifix head) clockwise direction with the help of a screwdriver.



*Please do not over screw the minifix head since it may be broken if too much power is imposed. Just make sure that it is screwed to the direction "+" do not go any further.



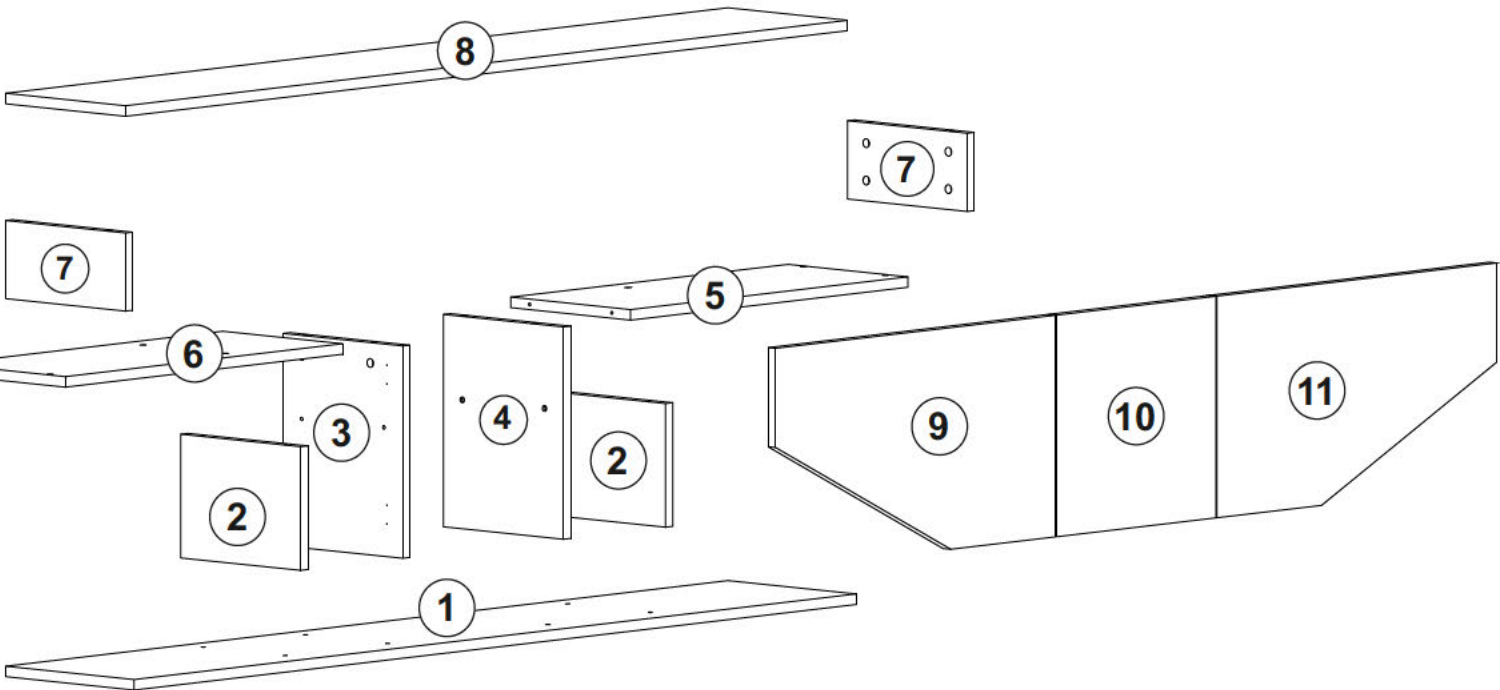
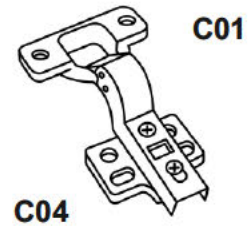
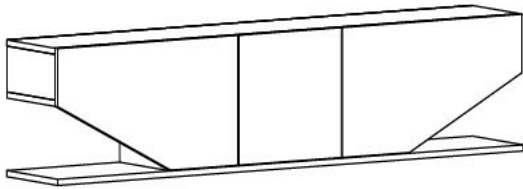
ACCESSORY LIST

| | | | | |
|--|---|--|---|-----------------------------------|
| A02 minifix head  12x | A03 minifix screw  12x | A13 50 mm screw  16x | A09 3,5x16 mm screw  24x | |
| A06 18 mm sticker  28x <small>c1</small> | C01 bracelet  6x | C04 pivot  6x | A08 Ms  8x | A05 nail 60x |

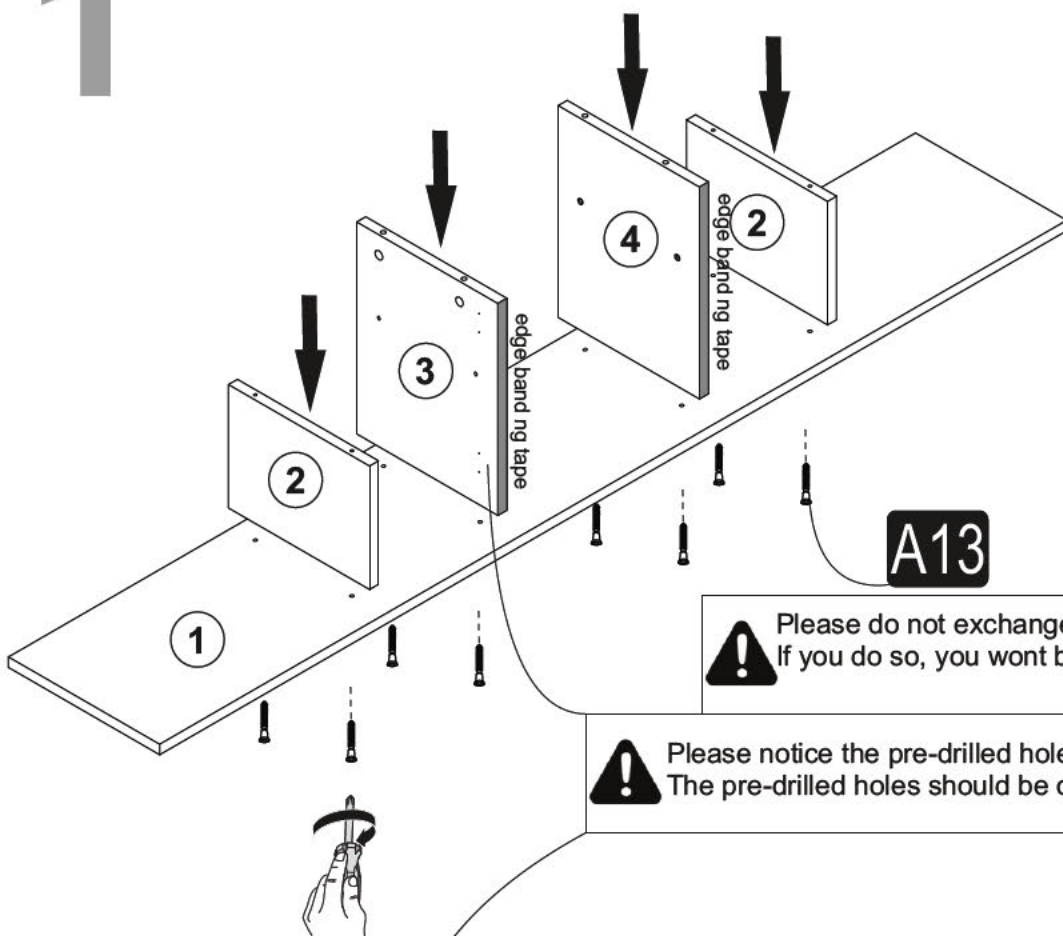
GENERAL VIEW



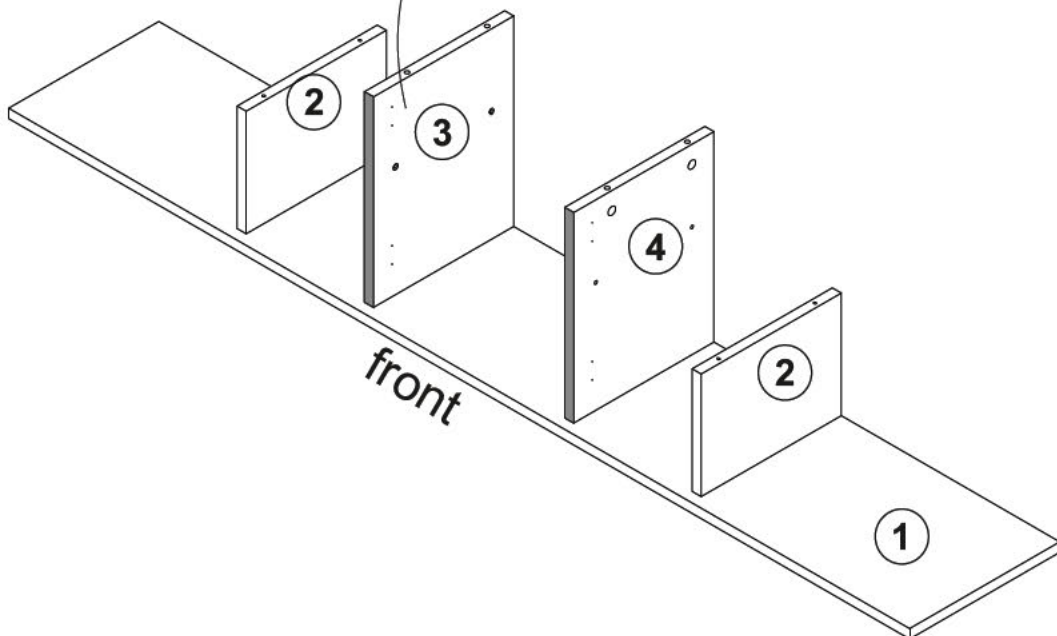
Please be aware that C01(bracket) and C04(pivot) parts may come as attached together.



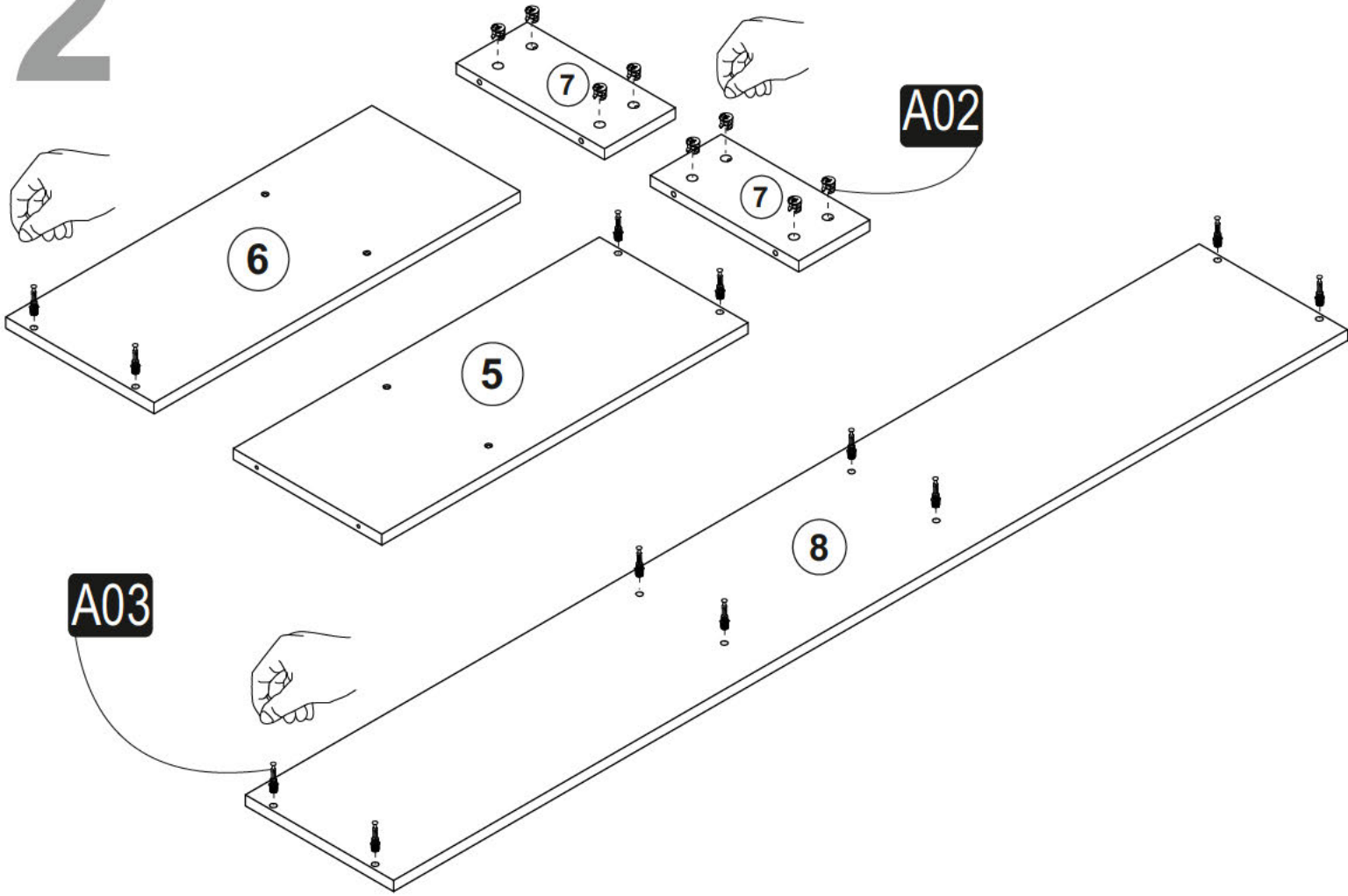
1



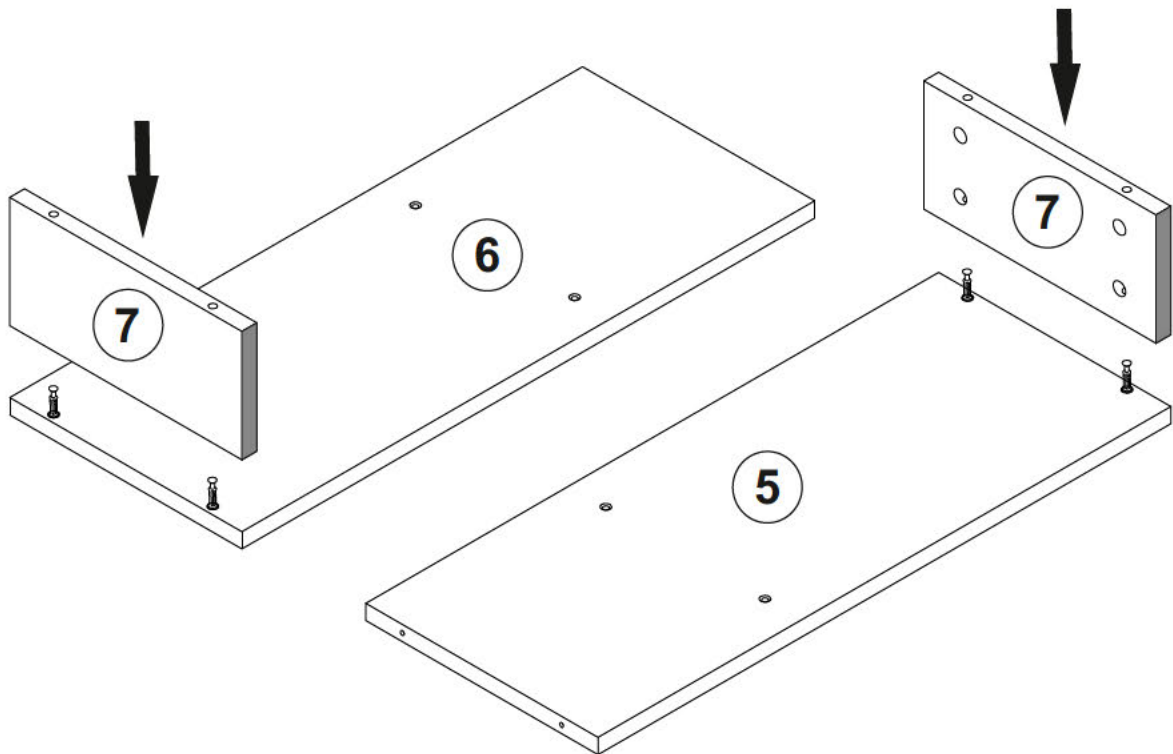
after installation



2

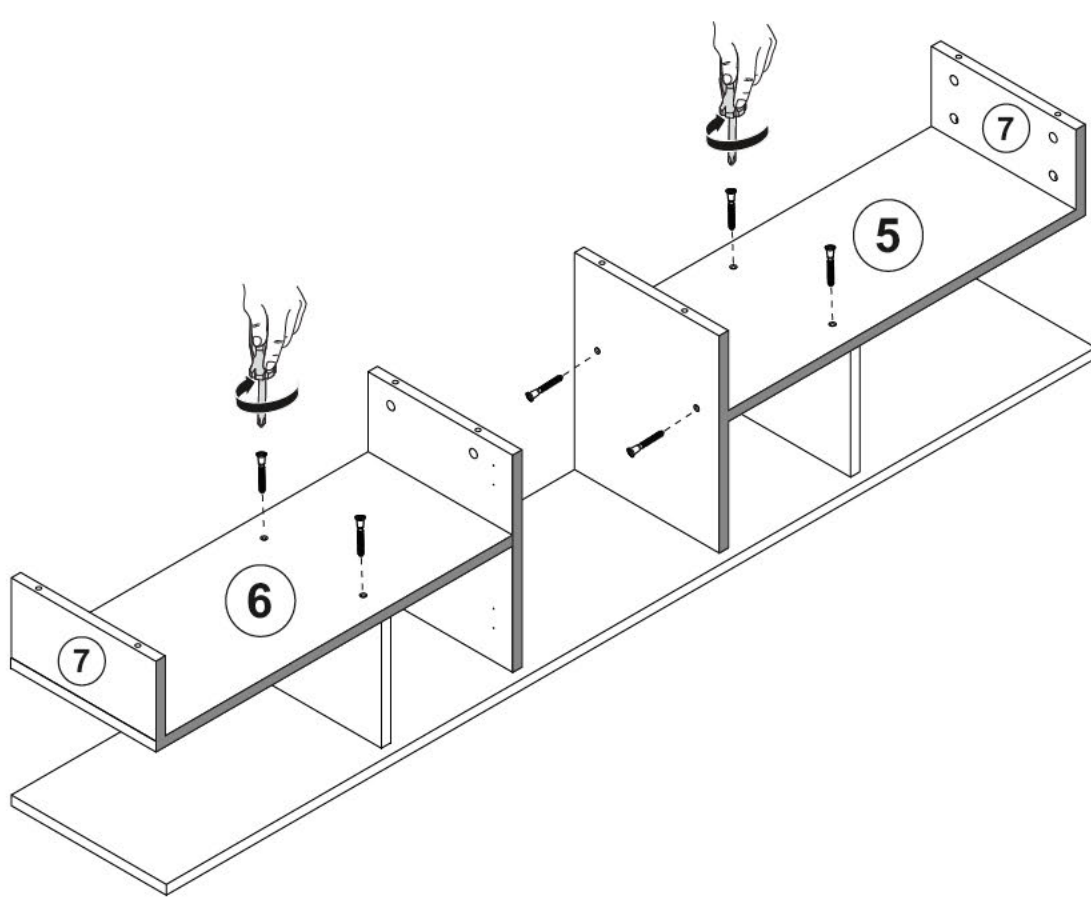


3

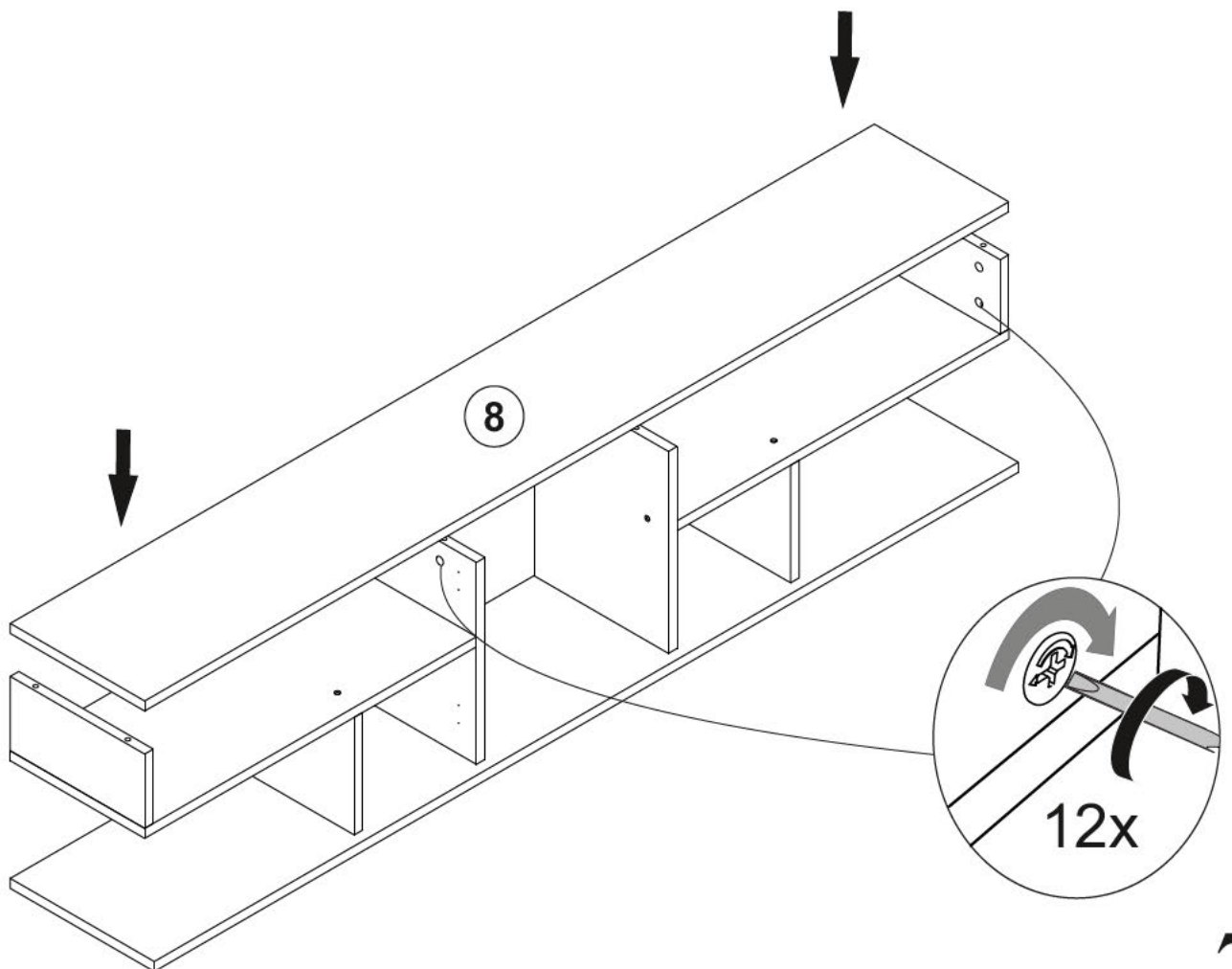


6

4

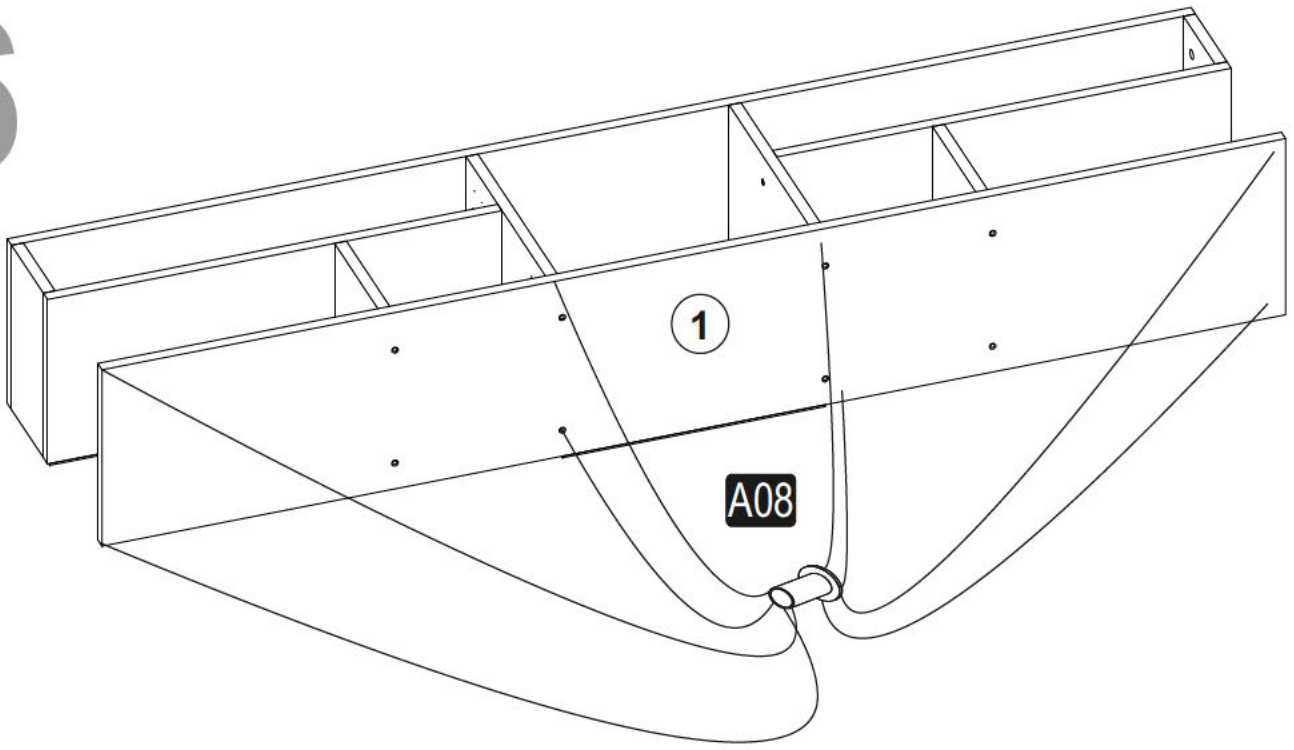


5

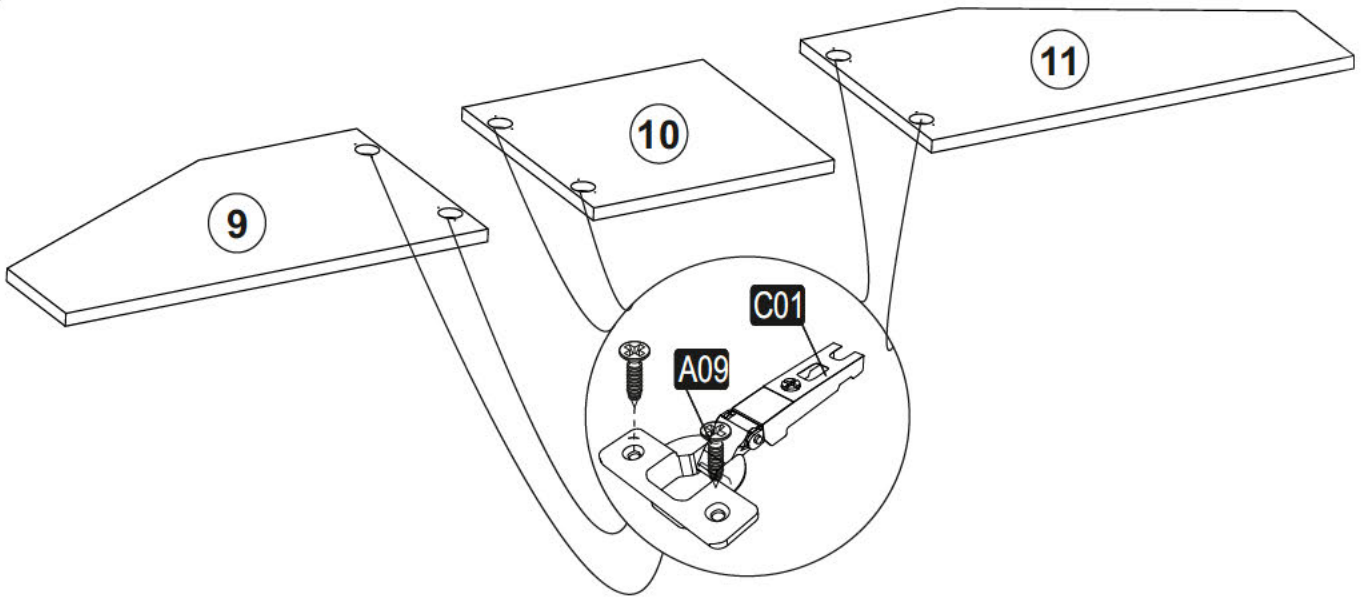


7

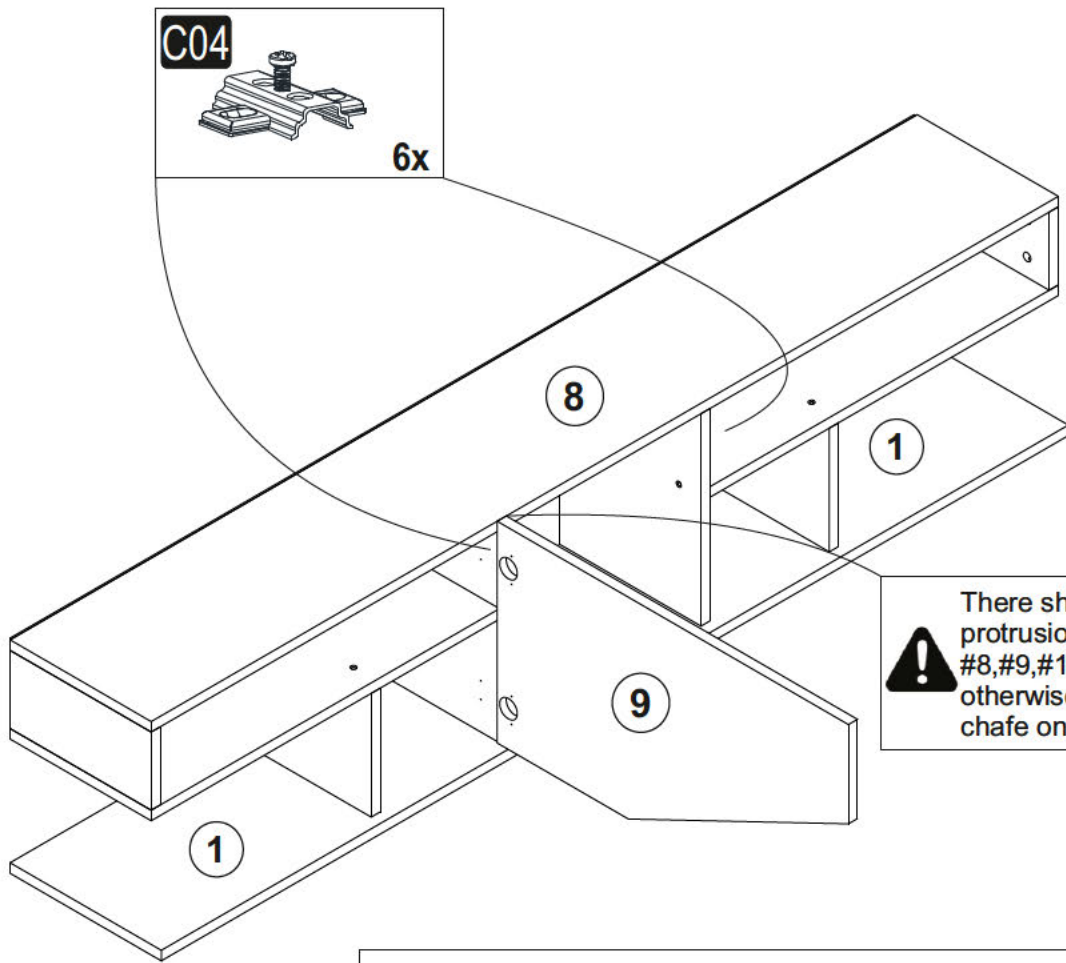
6



7

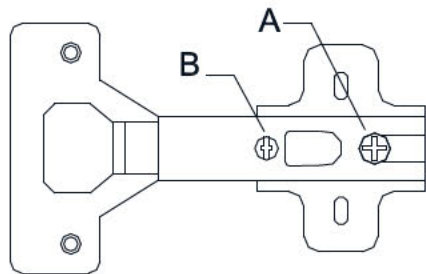
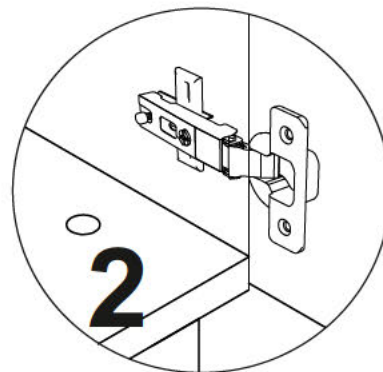
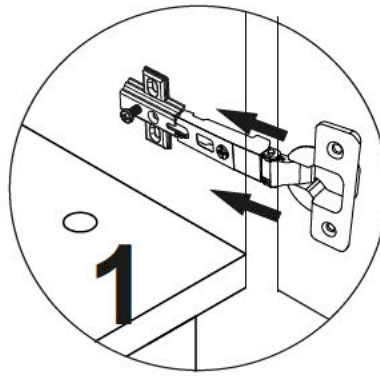


8

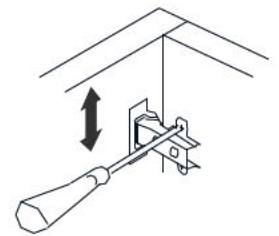
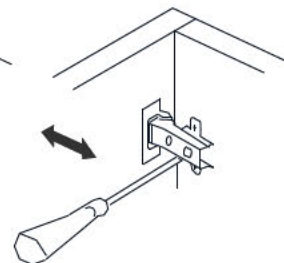
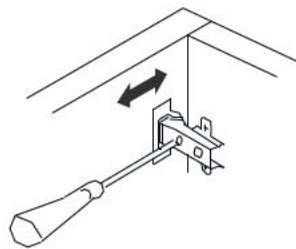


! There should be no protrusion on the pieces #8, #9, #10 and #11, otherwise your doors will chafe on the piece #1

! If you are having problem aligning of the doors, you can watch hinge installation videos on the internet or get help from professionals

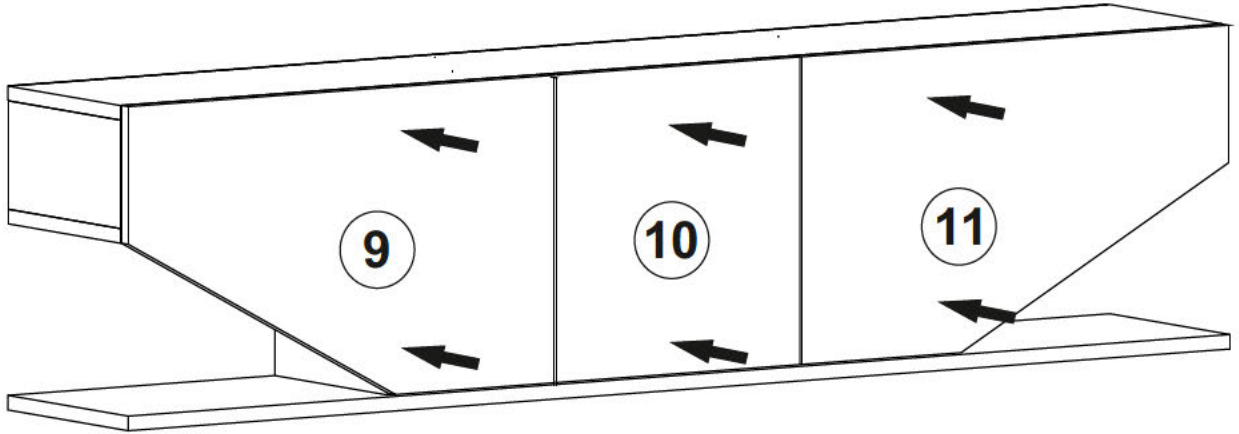


A= to connect the hinge to the door
B = to arrange the door



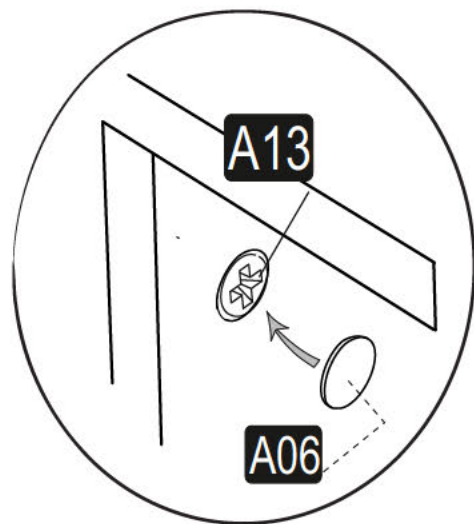
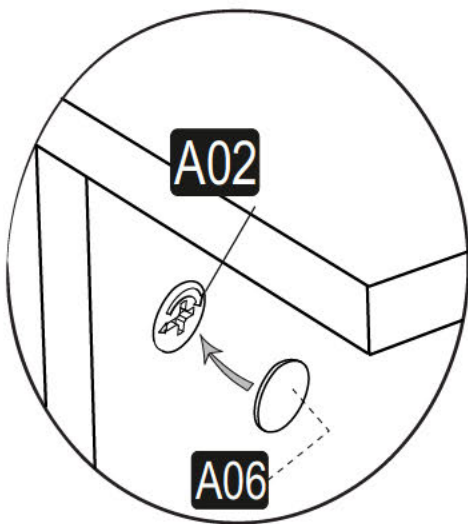
arrows to show the directions for arrangement of doors.

9

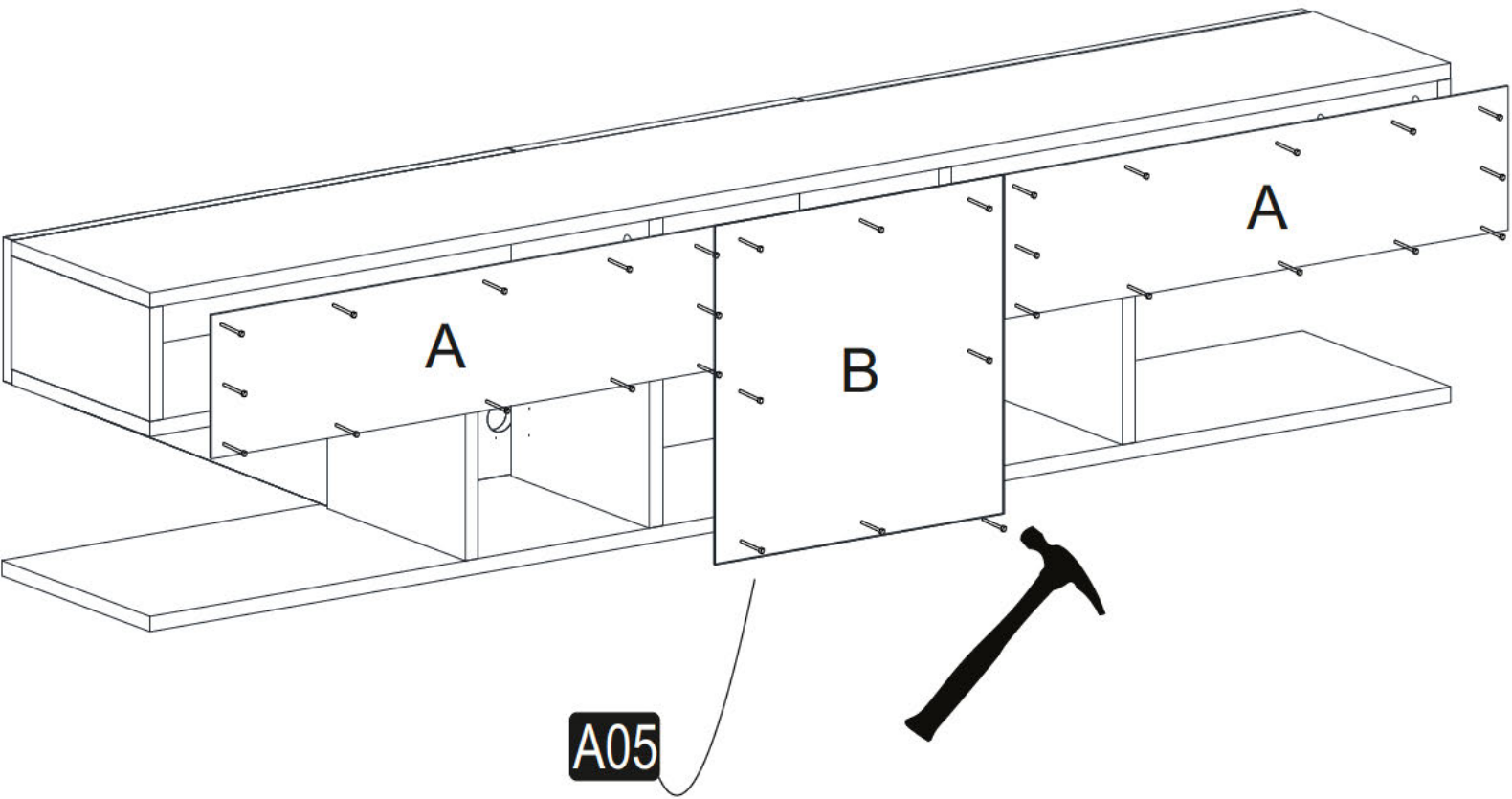



10

*For the best appearance of your furniture please place all A06(18 mm sticker) onto the A02 (minifix head) and A13(50 mm screw).



10



 We definitely advise to install back panels A and B to make your tv stand sturdier

final look

