


ASSEMBLY INSTRUCTIONS & PARTS IDENTIFICATION

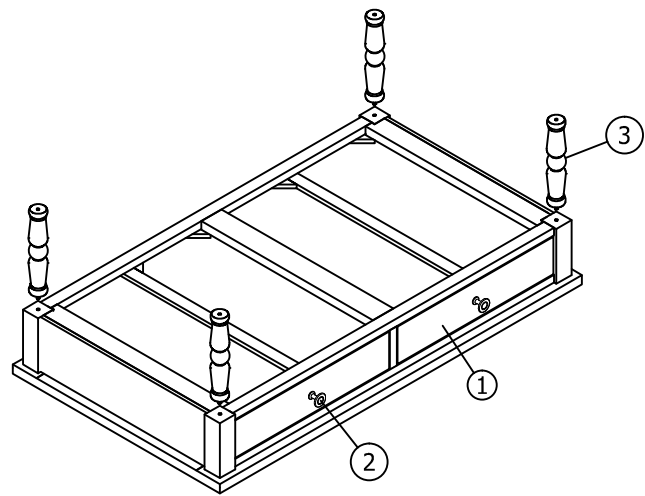
2 DRAWER COFFEE TABLE

Thank you for purchasing this quality product. Be sure to check all packing material carefully for small parts that may have come loose inside the carton during shipment.

Key Parts		
No	Qty	Description
1	2 pcs	Drawer
2	4 pcs	Knob w/screws
3	4 pcs	Middle leg
4	4 pcs	Bottom Leg
5	1 pc	Shelf
6	4pcs	Caster

Hardware kit		
No	Description	Q'Ty
A	 Screw Ø4 x 15mm	16 pcs

STEP 1



STEP 2

