

KEY:

- | | |
|------------|------------------|
| R = Roof | SP = Side Panel |
| B = Base | GP = Glass Panel |
| G = Grille | BP = Back Panel |
| T = Tray | FP = Front Panel |



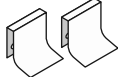
Rubber pad
8 pieces + 2




Glass panel screw
4 pieces + 1




Door handle pad
2 pieces




Door handle
2 pieces




Windbell lock
3 parts



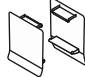
Cage frame screw
8 pieces + 1



Tray handle
1 piece



Cage clips (roof)
2 pieces



Cage clips (base)
2 pieces



Screwdriver with reversible shaft
(included)

* Interchangeable:
 GP 1 = GP 2
 Different but interchangeable:
 SP 1 = SP 2

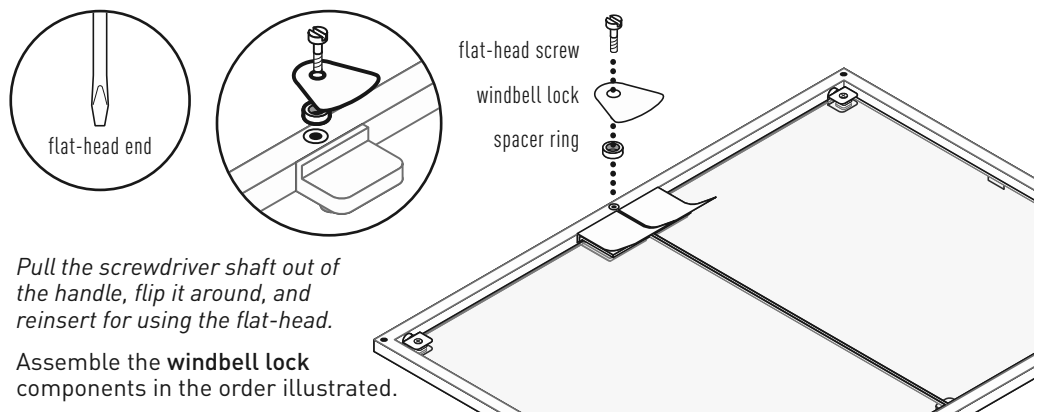
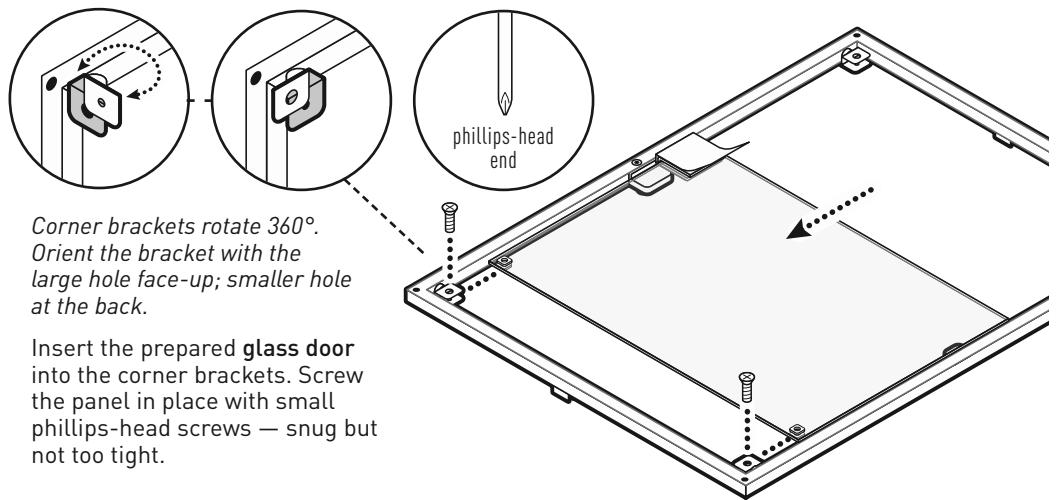
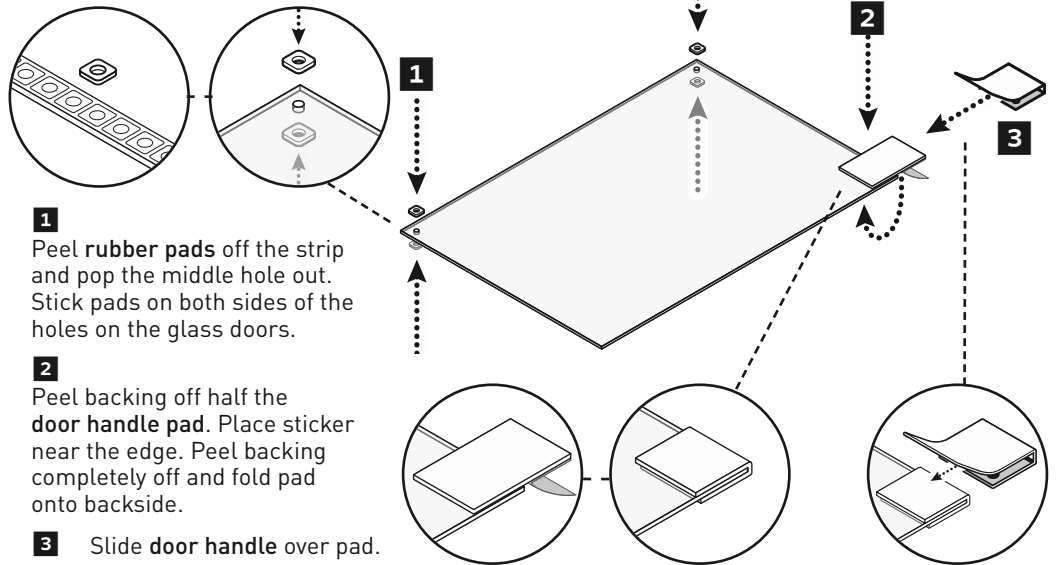
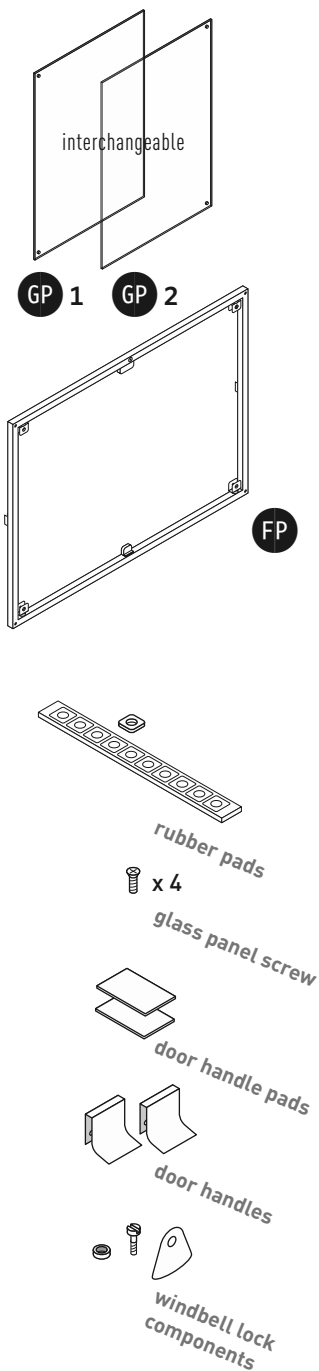
PERCHES

For best results, follow the Assembly Steps in the order presented.


CAUTION: GLASS PANELS

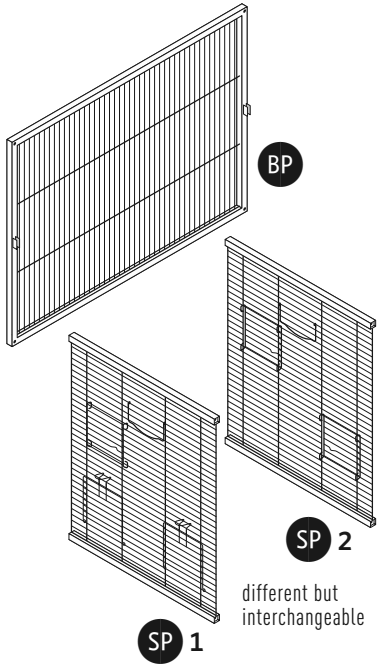
Take caution when handling and preparing the clear glass doors. Clean with water and odorless, pet-safe soap or cleaner.

1 PIECES



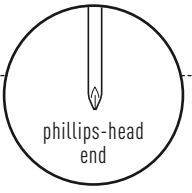
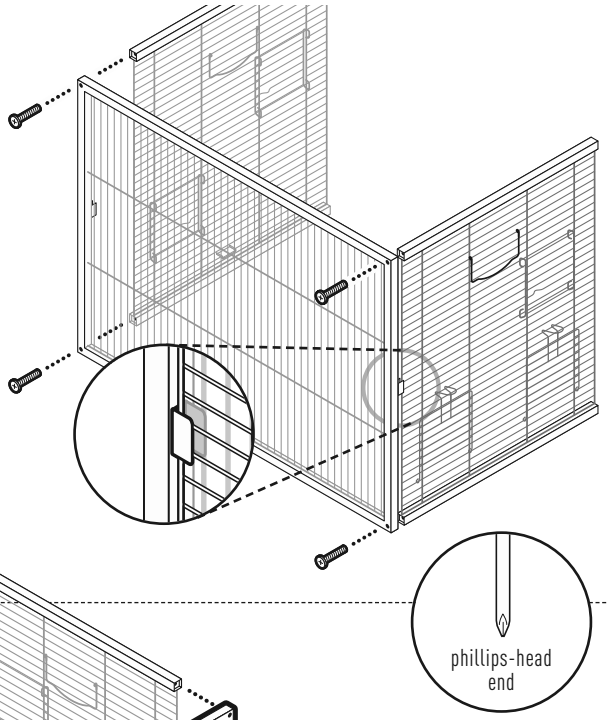
2 PIECES

 x 8
cage frame screw

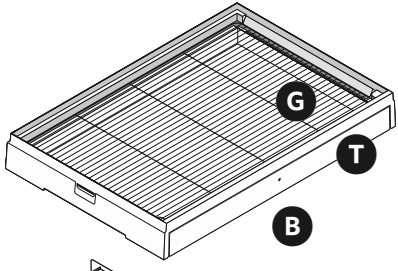
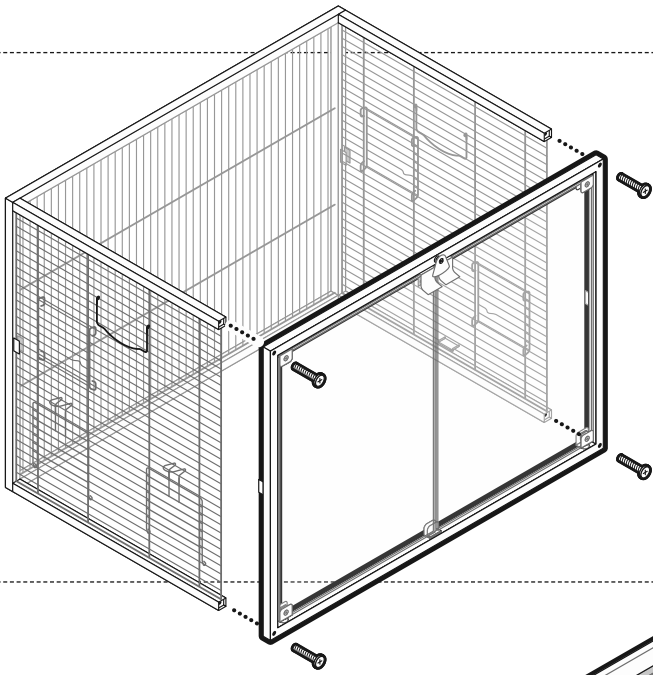


Side panels are different (note the placement and number of inset doors). But for assembly, they can be considered interchangeable. Attach the side panels to best suit your needs. **One note:** Make sure the doors operate from the exterior!

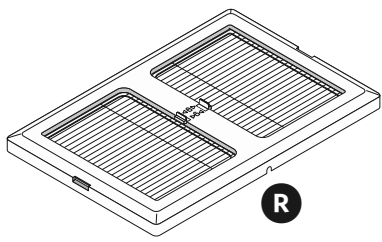
Center the mesh within the bracket and attach with the large phillips-head screws.



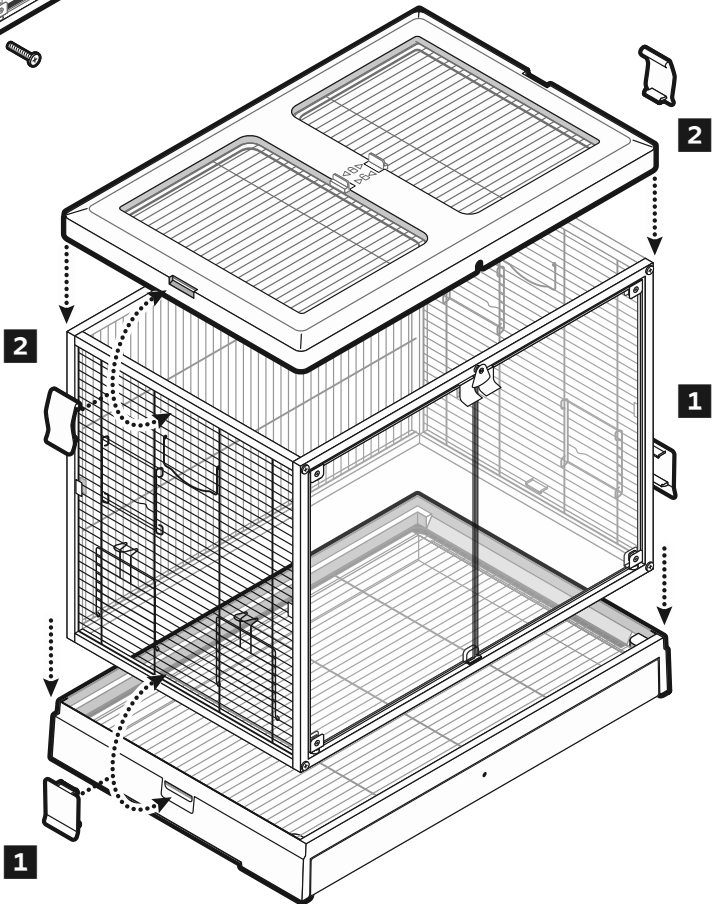
Attach the assembled front door panel with large phillips-head screws.



1 Set the assembled cage body on the base and secure it in place with the base cage clips.

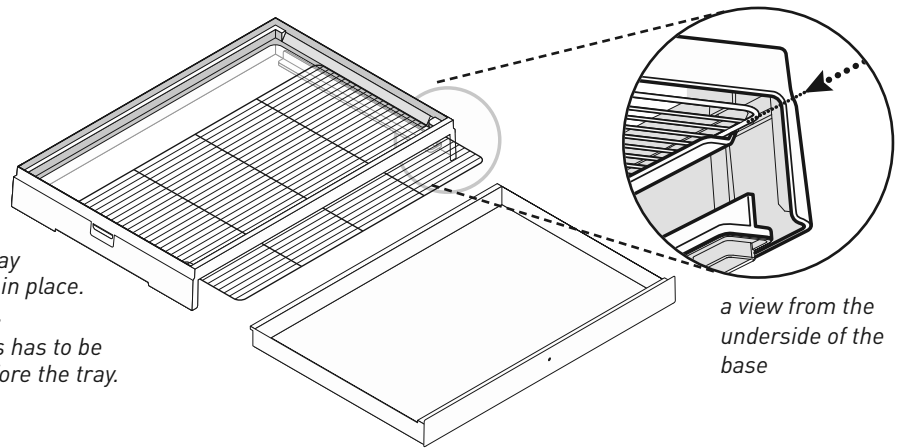


2 Set the roof on the cage body and attach with the roof cage clips.



2 ...continued

Grille and tray are shipped in place.
Please note:
Grille always has to be inserted before the tray.

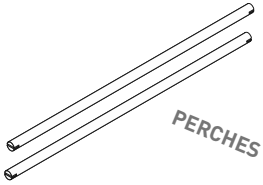


a view from the underside of the base

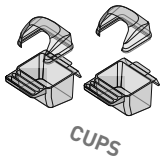
3 PIECES



tray handle



PERCHES

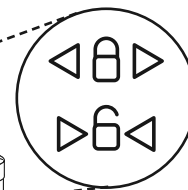
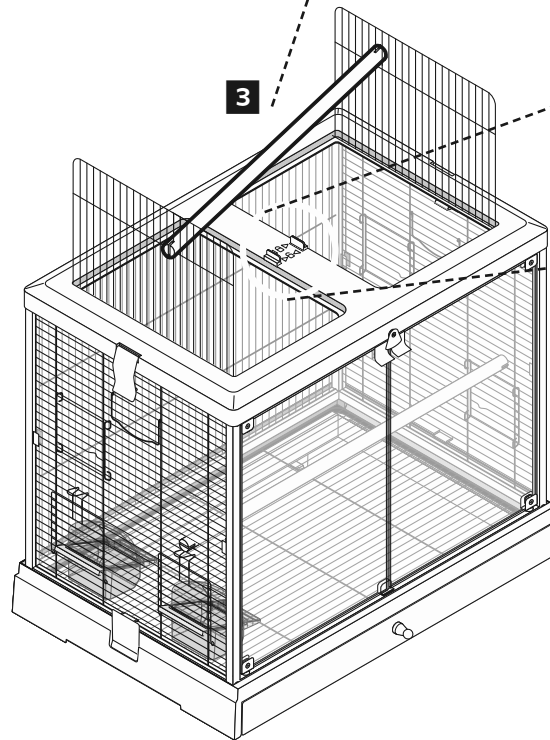
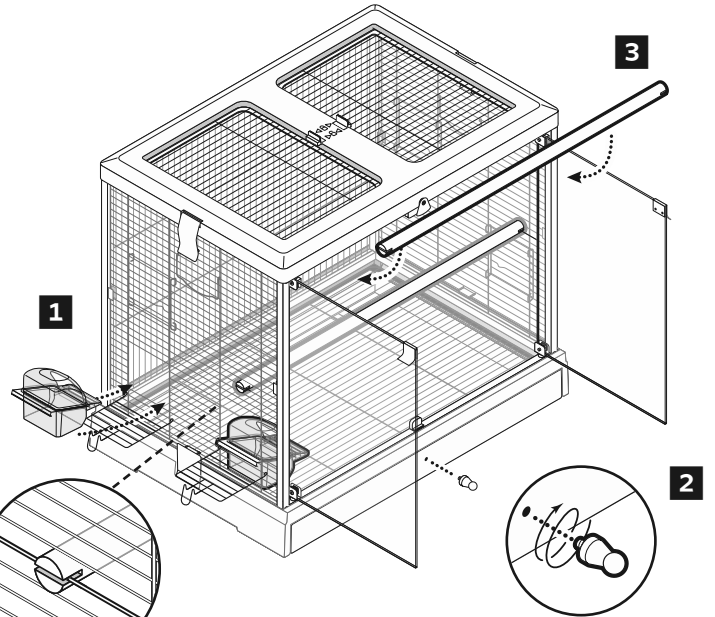


CUPS

1 Assemble the two-piece cups and install them in the drop-down cup door windows.

2 Screw tray handle into tray drawer.

3 Install two perches on the cage interior, or use one at an angle between the rooftop doors to create a playtop.



ROOF SYMBOLS:
◀ LOCK ▶
Slide handle out over mesh to lock mesh closed.
▶ UNLOCK ◀
Slide handle in toward center to free mesh to be opened.

Assembly completed. ■

