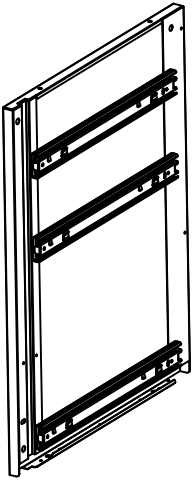
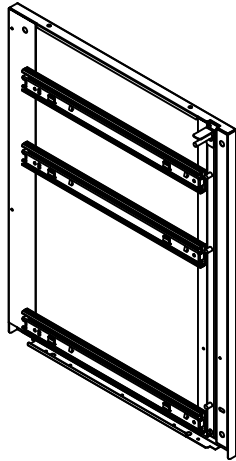


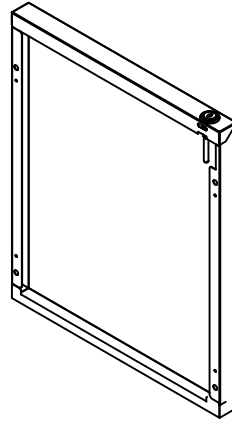
A×1



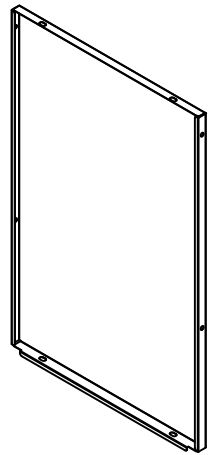
B×1



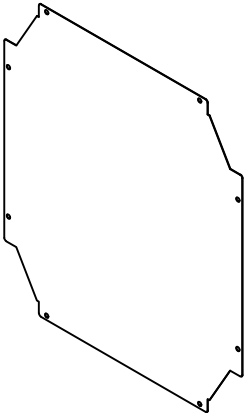
C×1



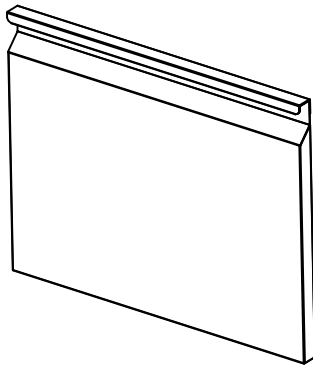
D×1



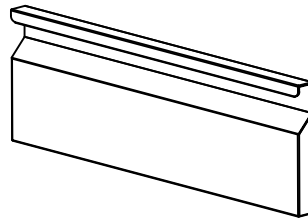
E×1



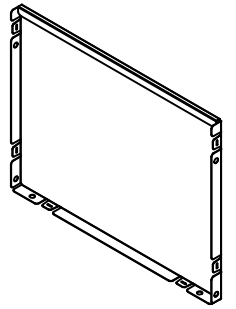
F×1



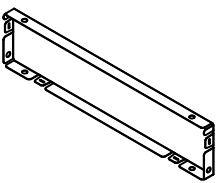
G×2



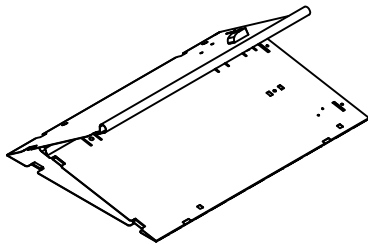
H×1



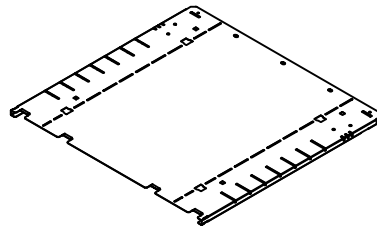
I×2



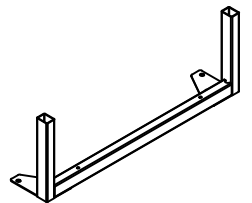
J×1



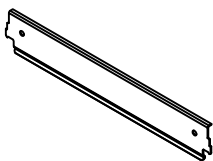
K×2



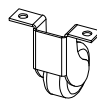
L×2



M×1



N×1



O×2



Comes with two small screws.

P×2



Q×33

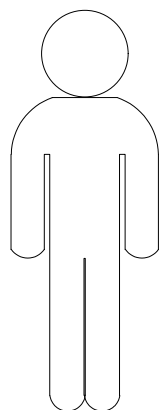
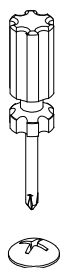
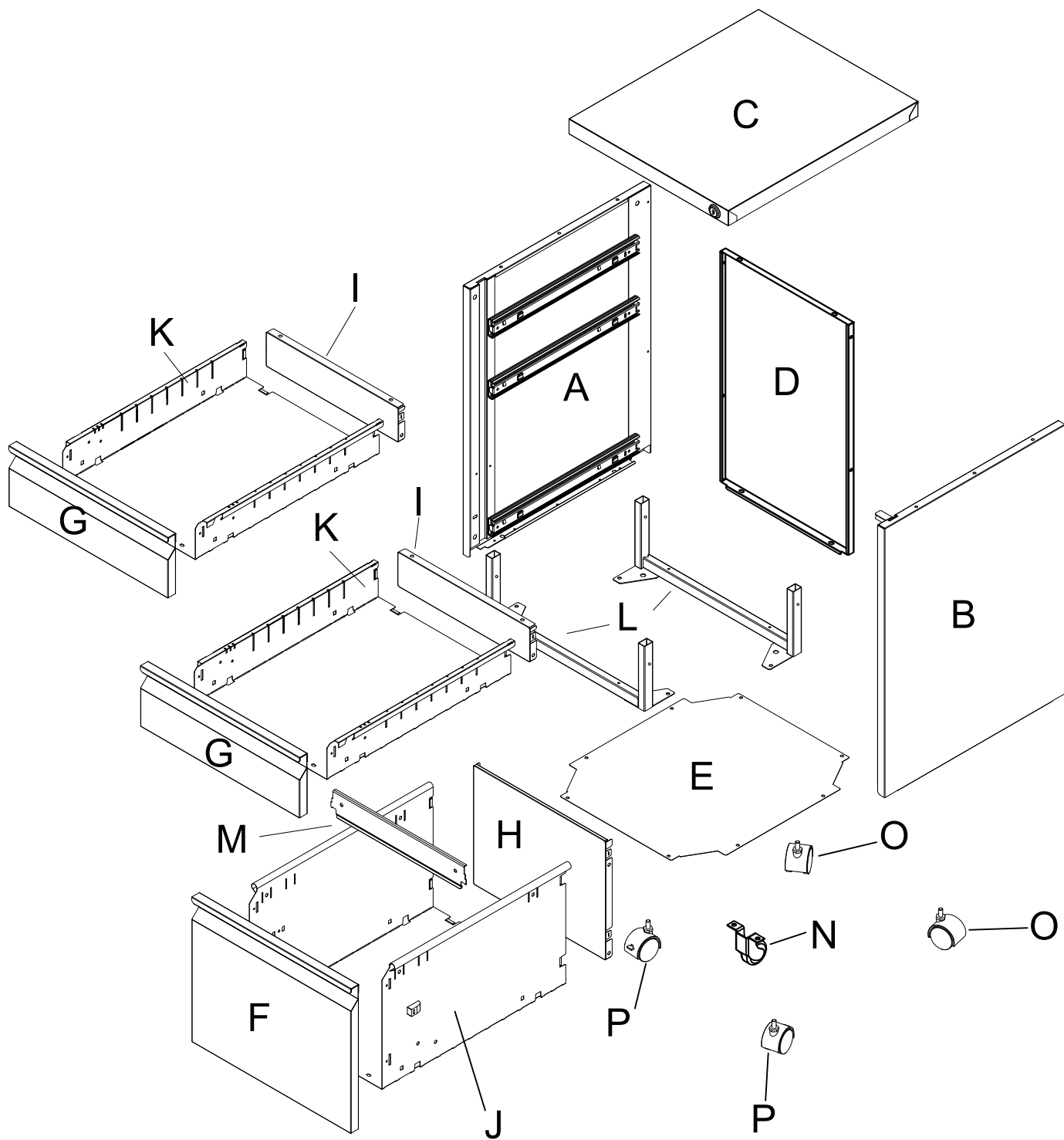


R×1



S×8

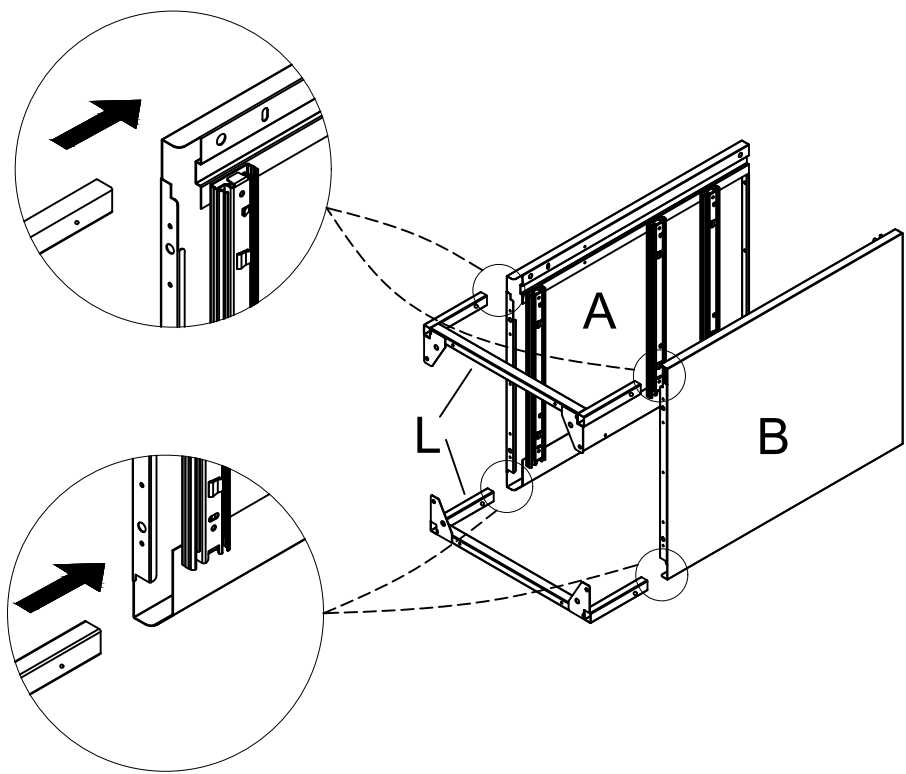




x2

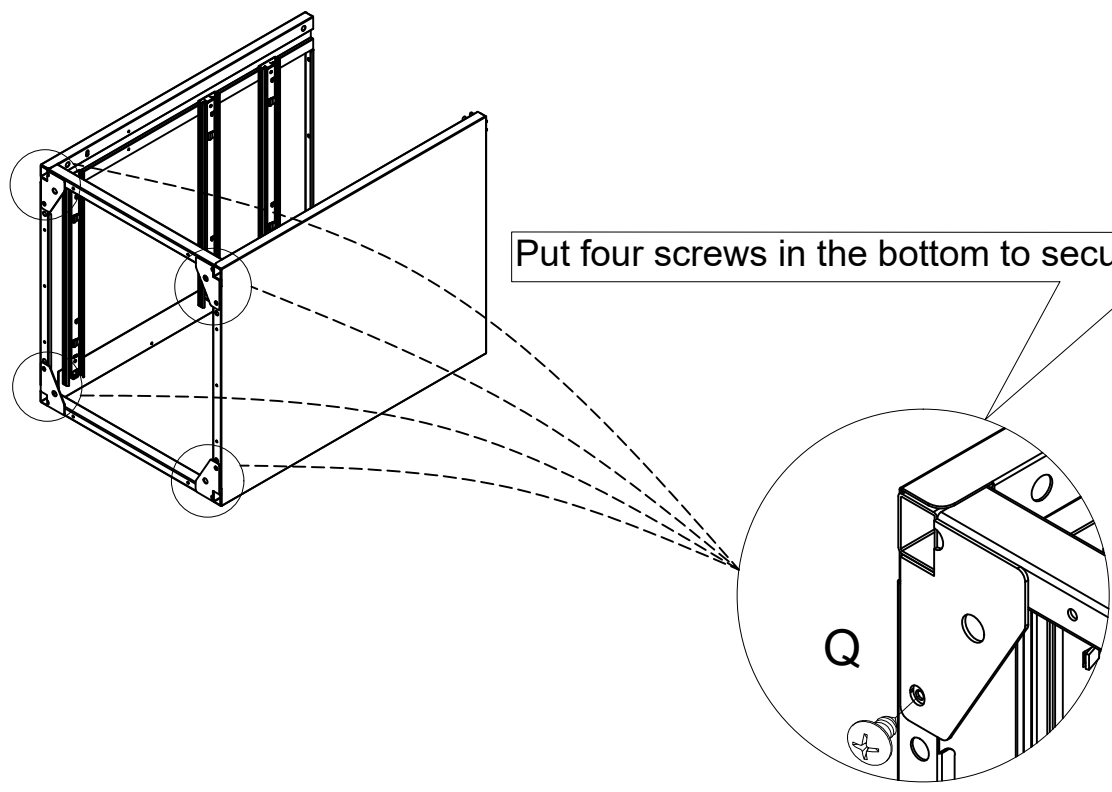
1


Insert Part L into the channels of the two side panels .



2

Put four screws in the bottom to secure them.

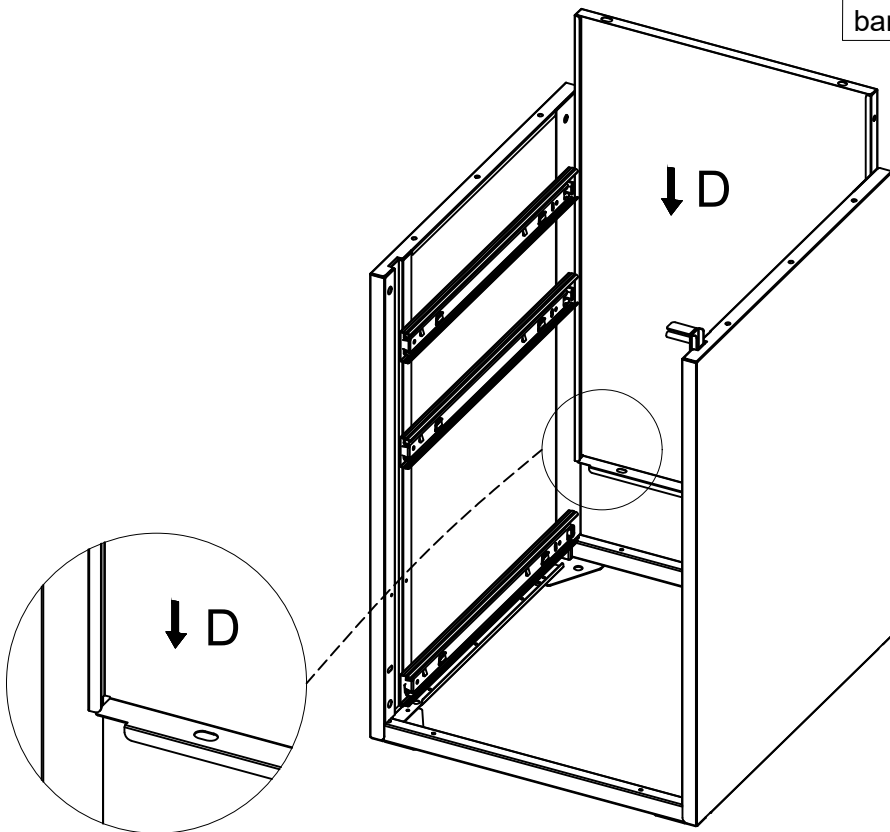


Q×4 

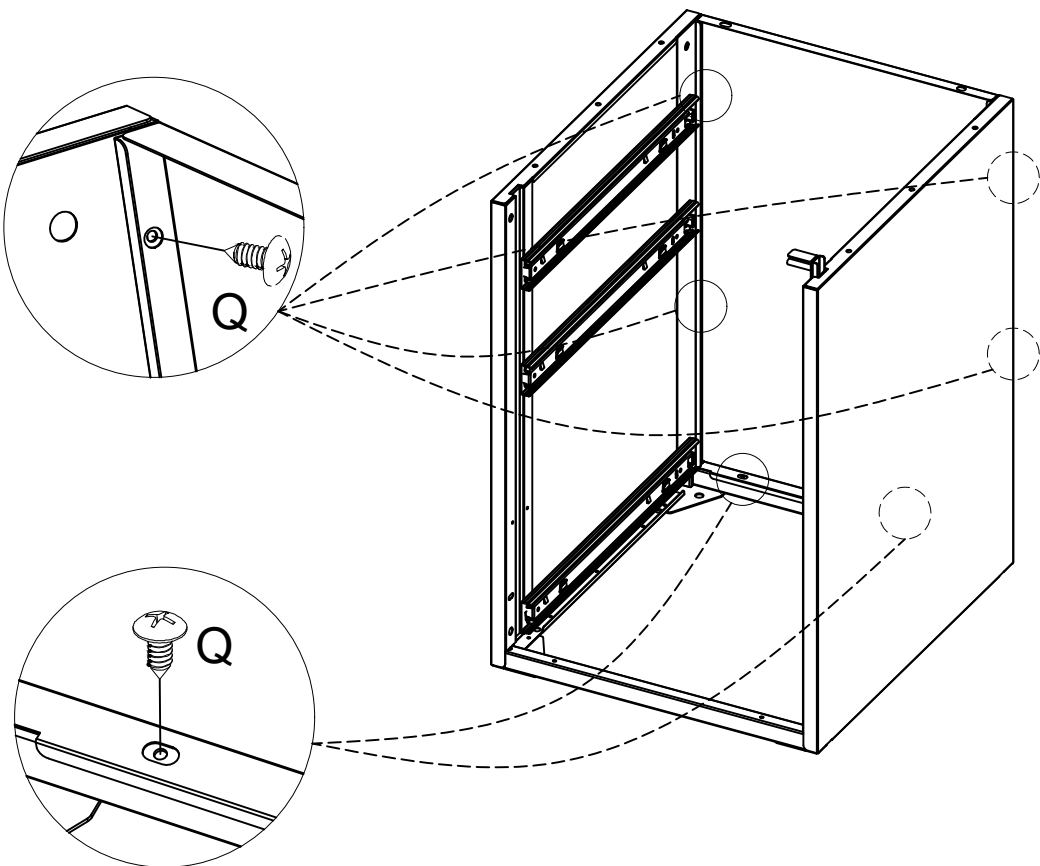
3

Put the rear wall into the cabinet, and put six screws to hold it in place.

Note that the end with the aluminum locking bar on the side is the front of the cabinet.

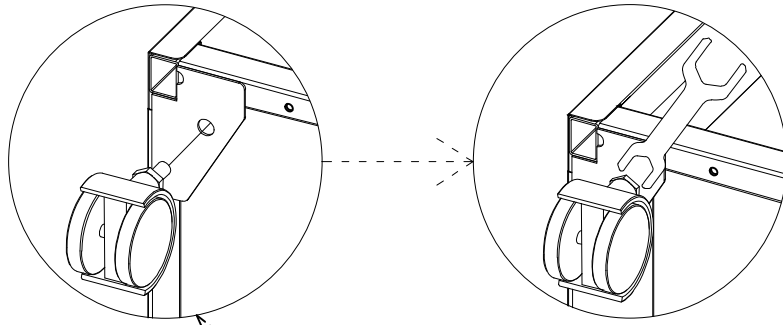


4

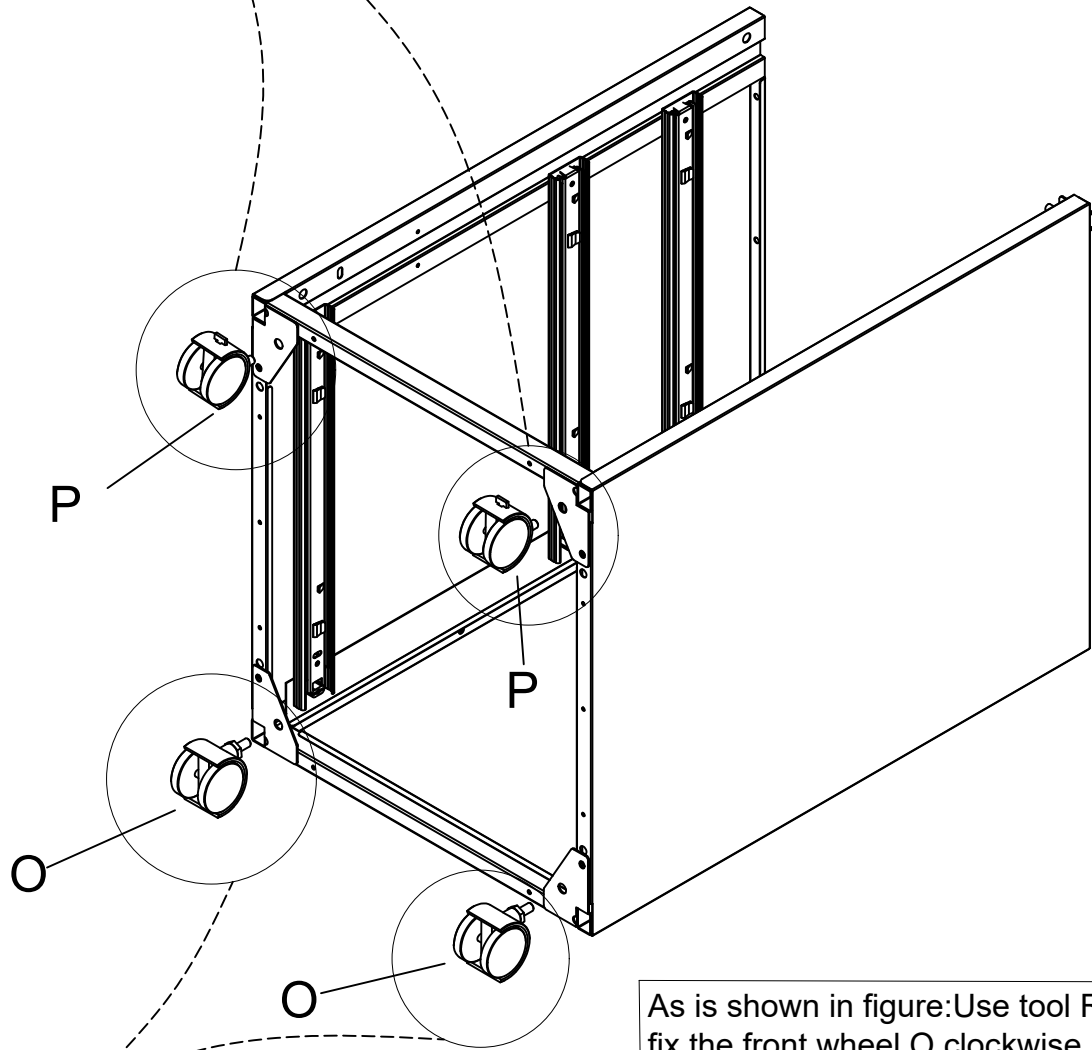


Q×6 

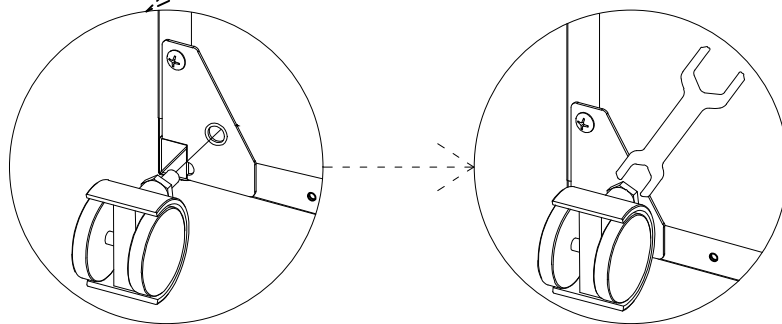
5



As is shown in figure: Use tool R to fix the front wheel P clockwise.



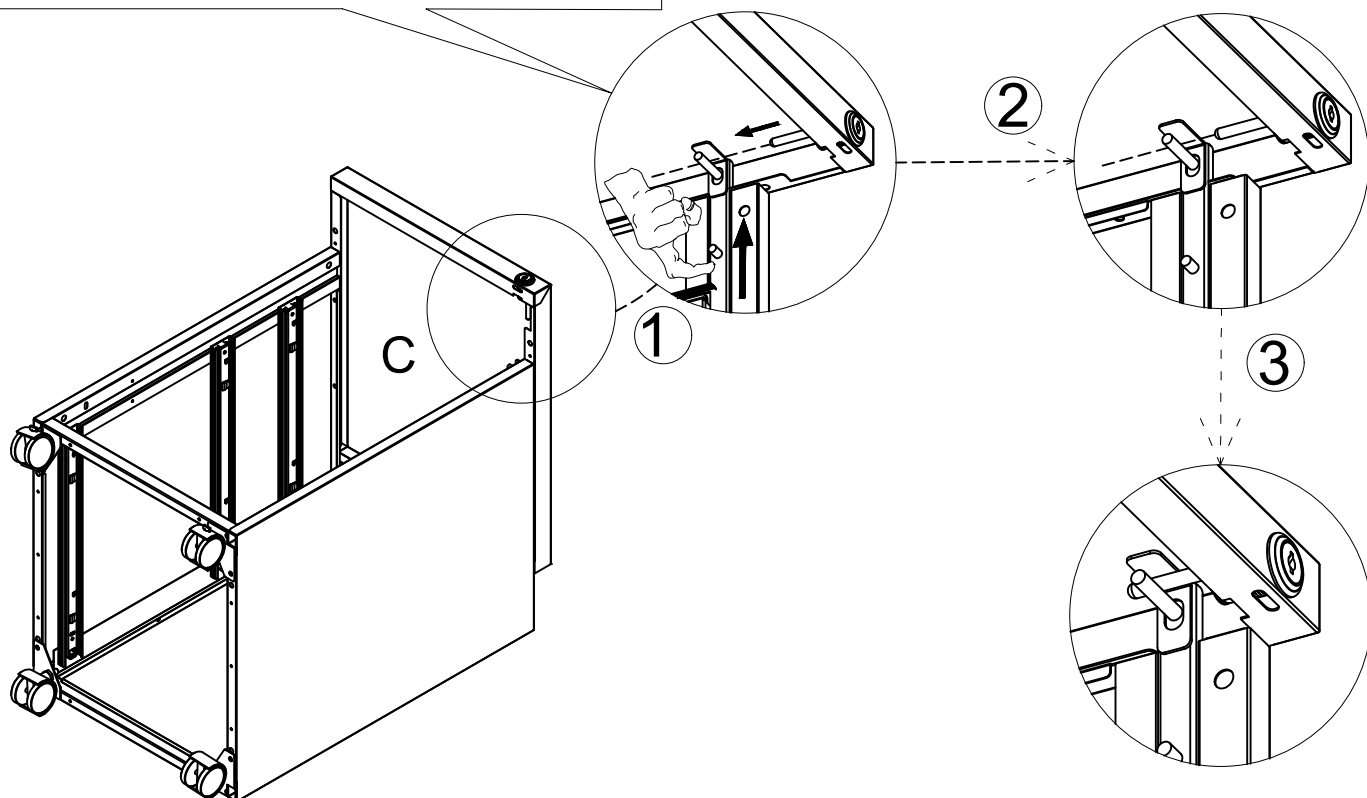
As is shown in figure: Use tool R to fix the front wheel O clockwise.



6

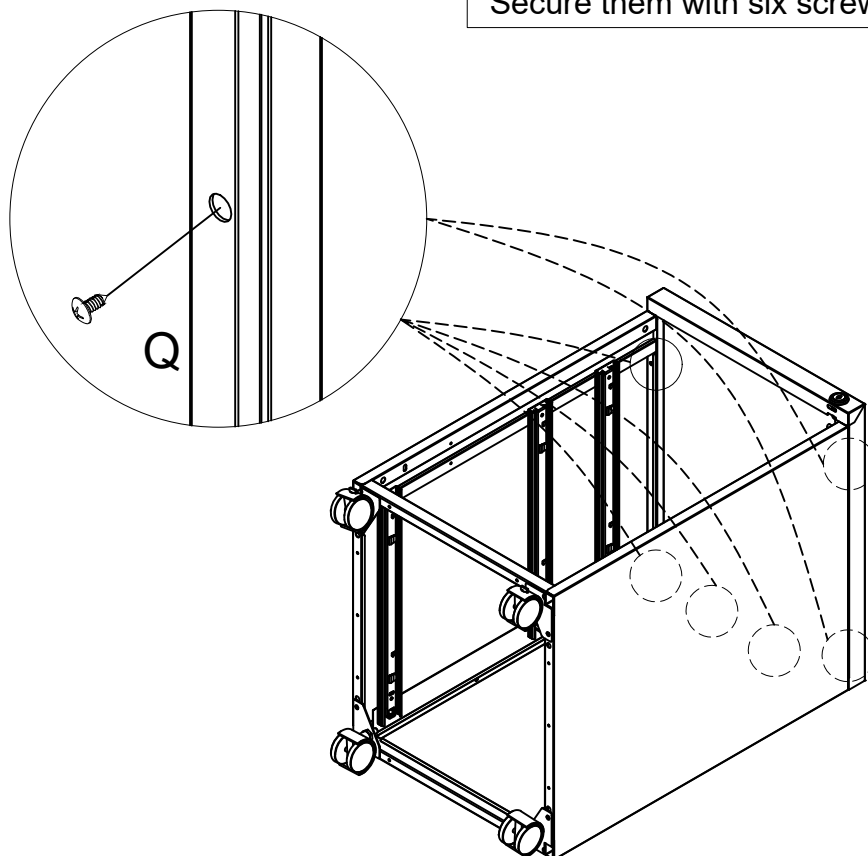
Holding the top plate C close to the frame, lift part C slightly while pushing the right side locking lever upward so that the lock on top plate C can be inserted between the two lock trips at the top of the right side locking lever.


Ensure that the lock is between the two latches.



7

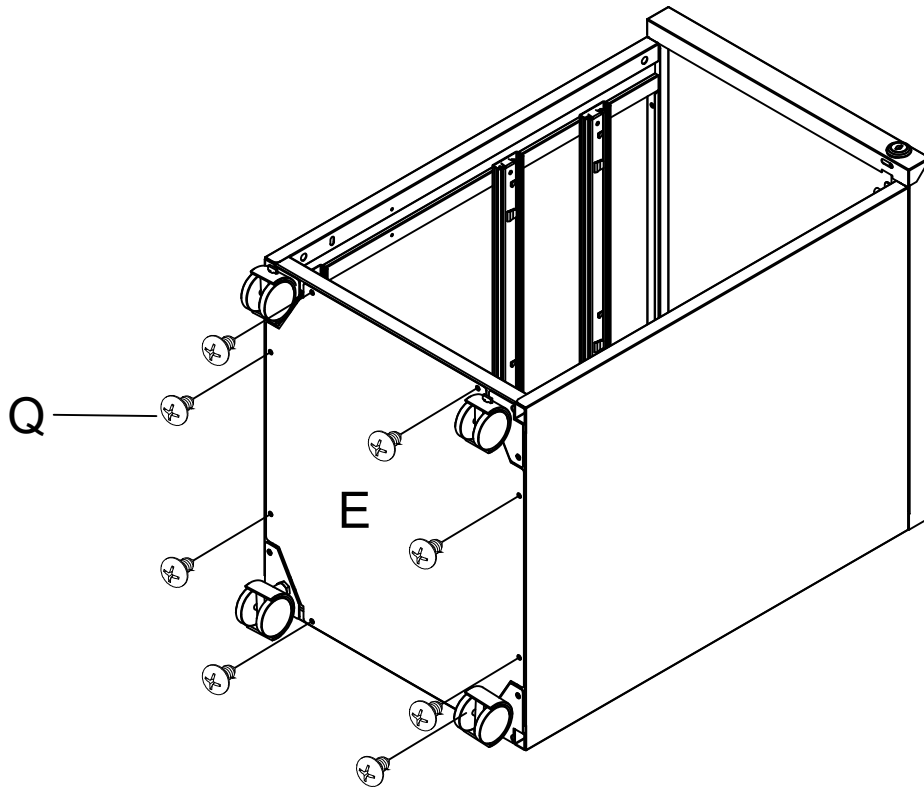
Secure them with six screws.




Q×6 

8

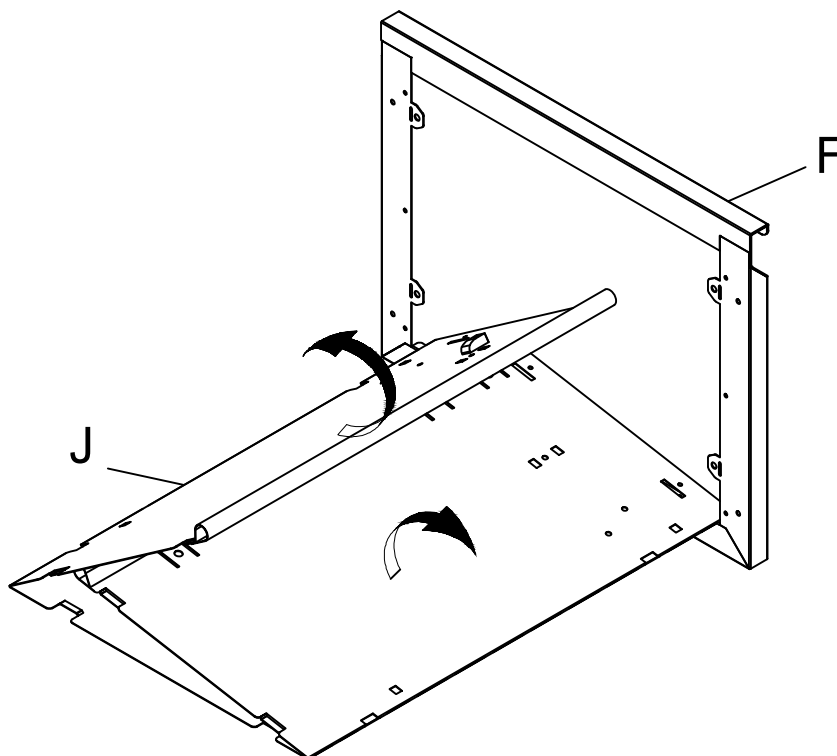
Attach part E to the frame using eight screws.



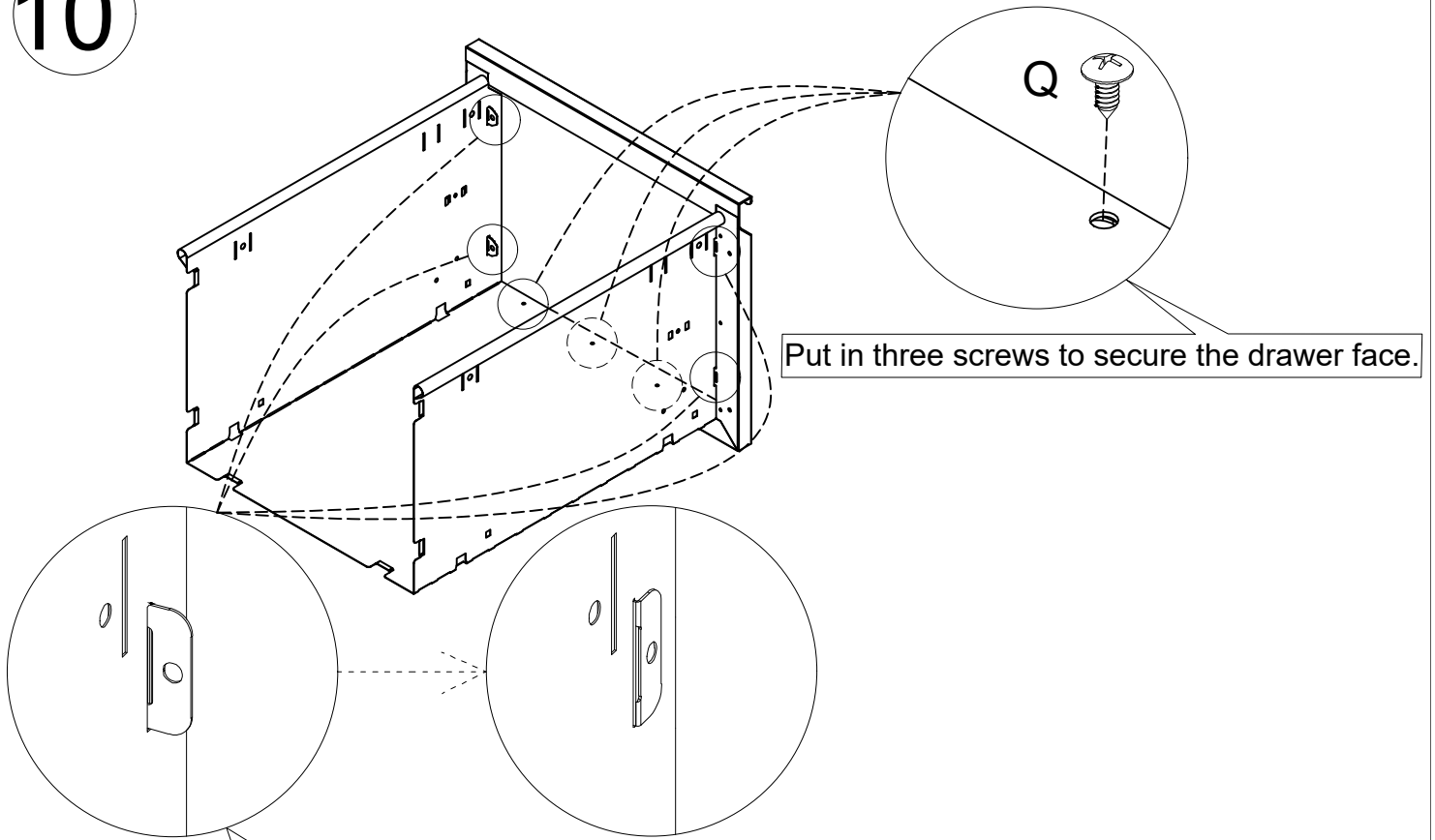
Q×8 

9


Bend the side walls of the drawer to vertical.



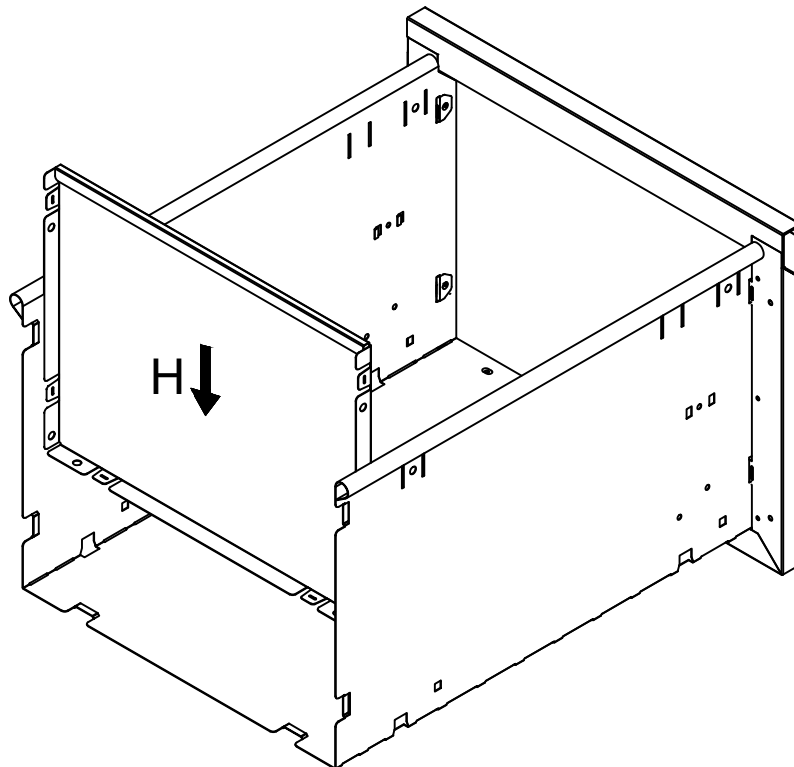
10



Bend the tabs on the drawer faces.

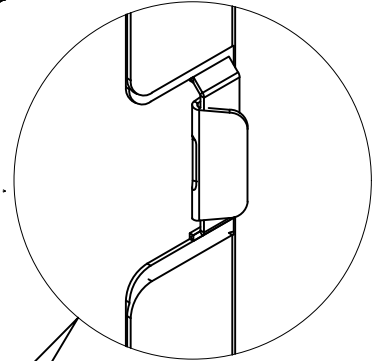
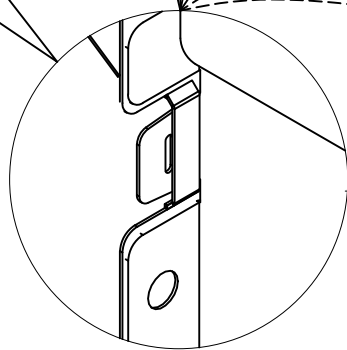
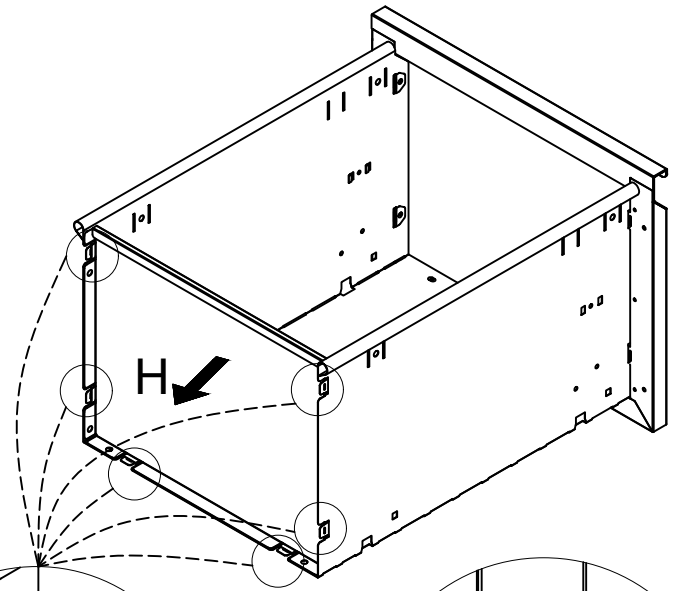
Q×3 

11



12

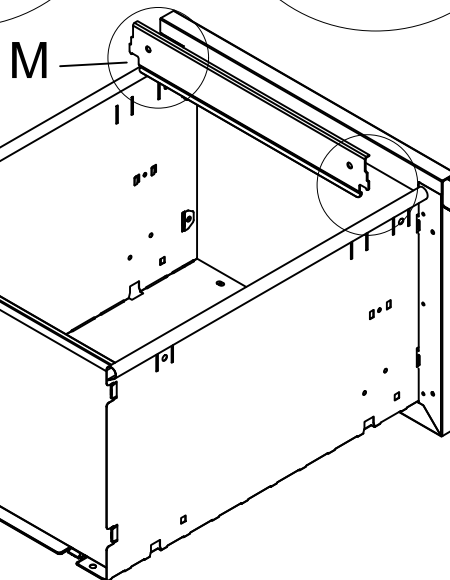
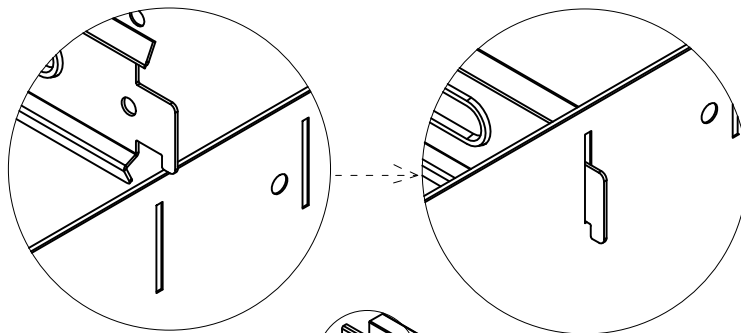
Insert the drawer back wall from the inside. Make sure that the six little tabs protruding from Part I are all inserted.



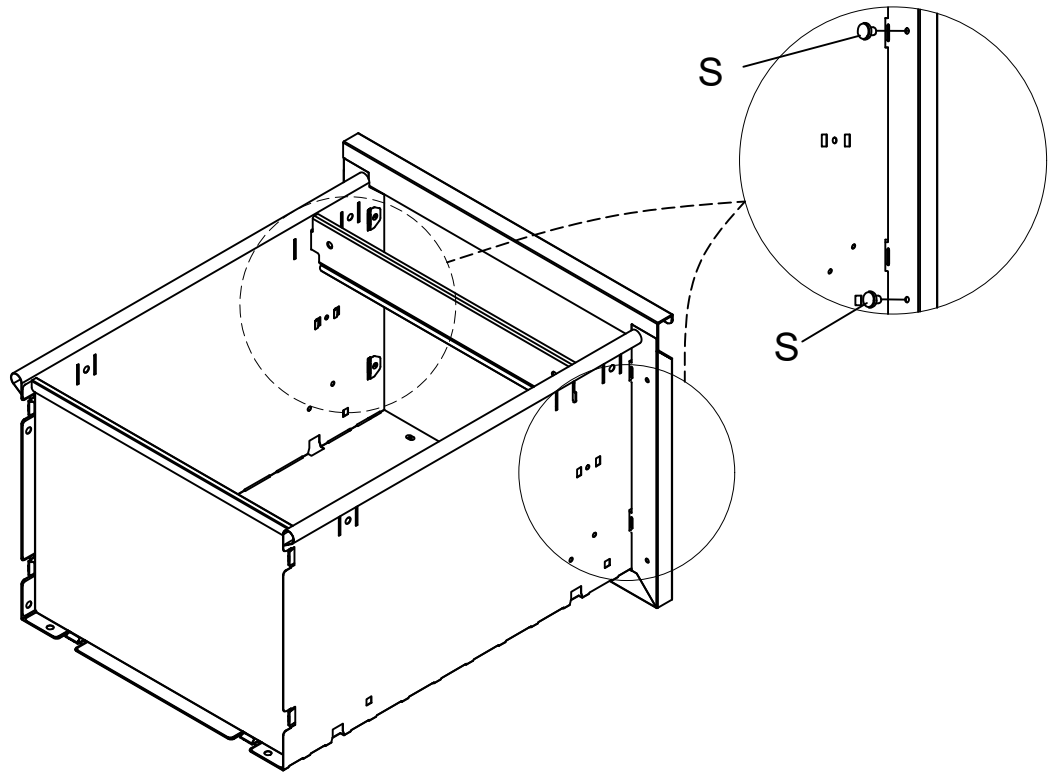
Then use the screwdriver to bend the circled six tabs.

The file hanging bar can be put inside.

13



14

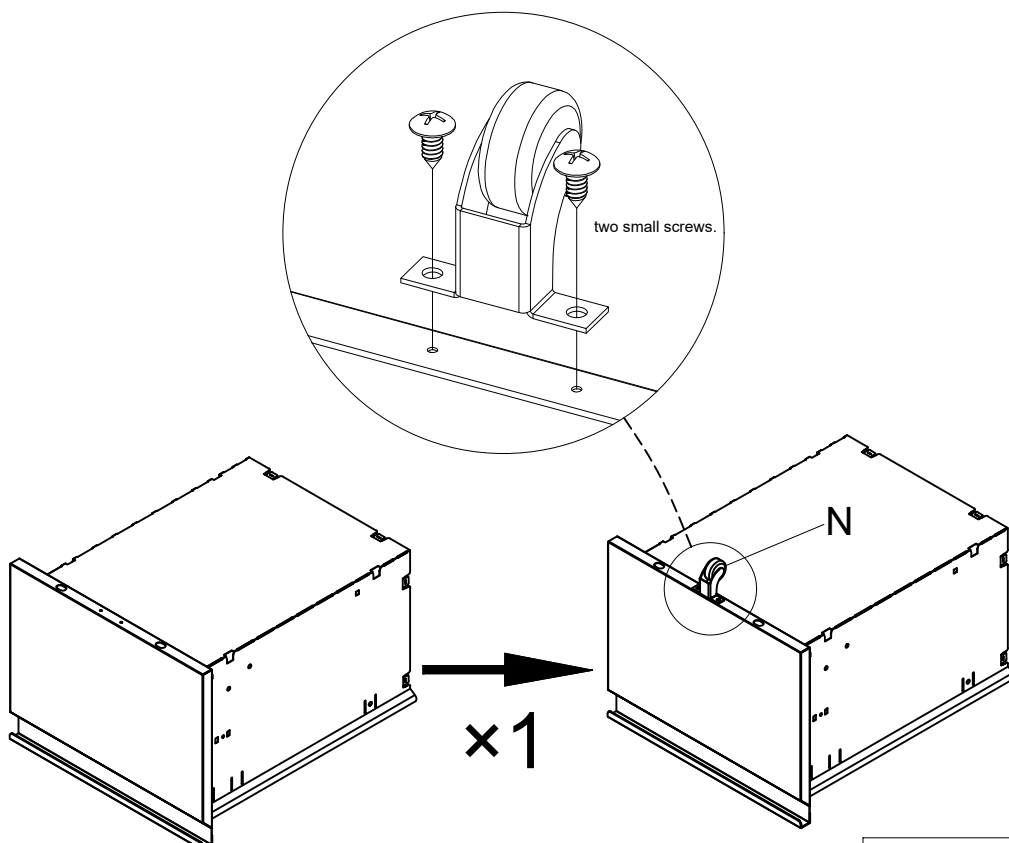



S×4



15

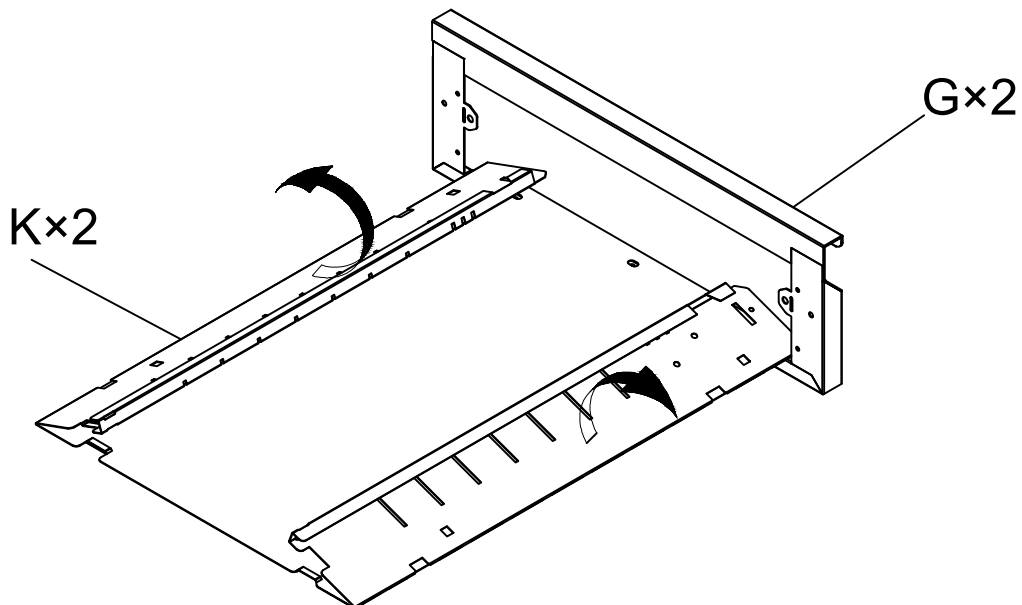
Fix the central castor to the drawer with two small screws.



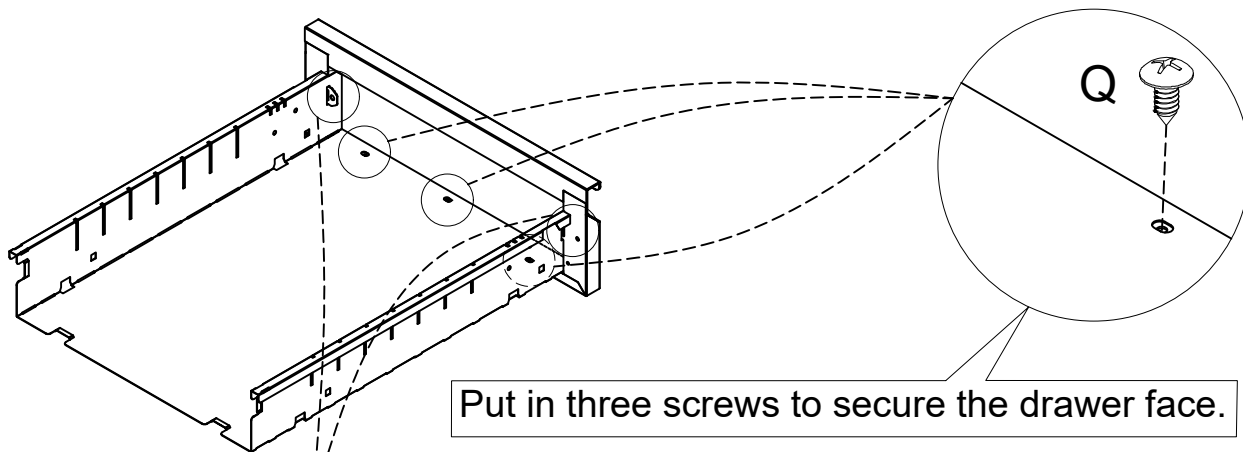
Comes with two small screws.  ×2

16

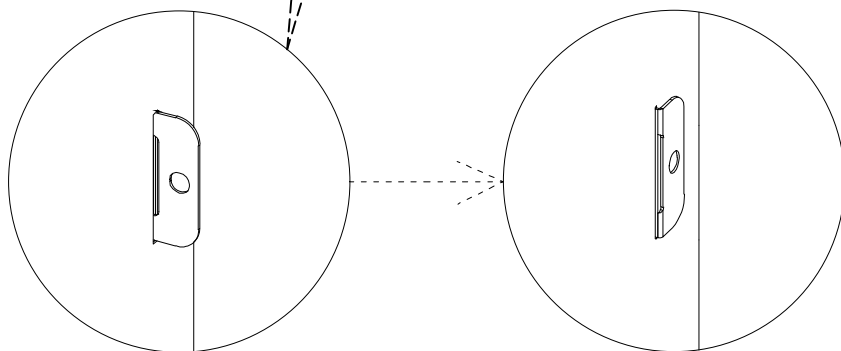
Bend the side walls of the drawer to vertical.




17

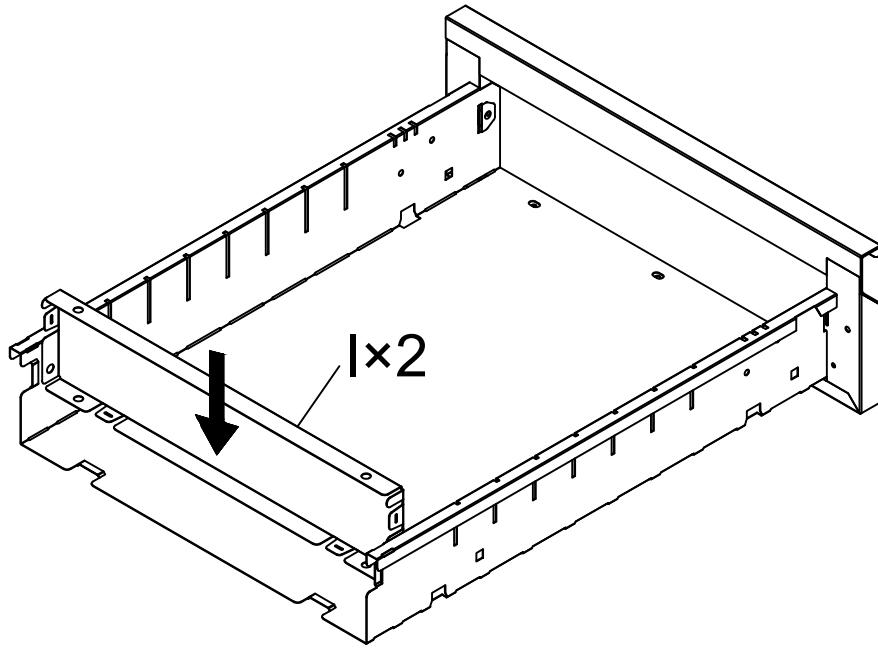


Bend the tabs on the drawer faces.

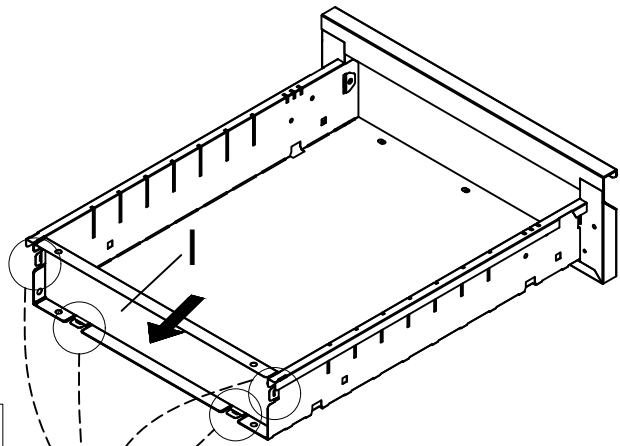


Qx3 

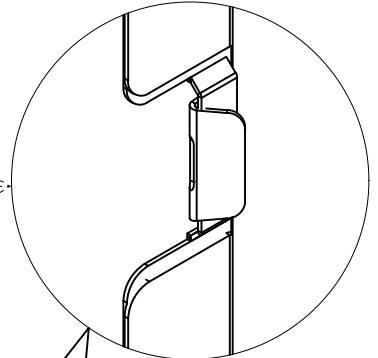
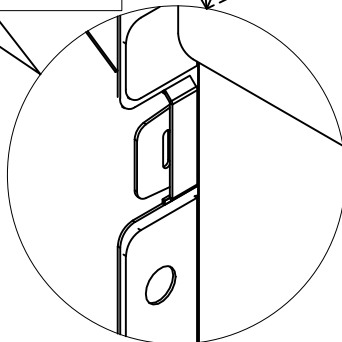
18



19

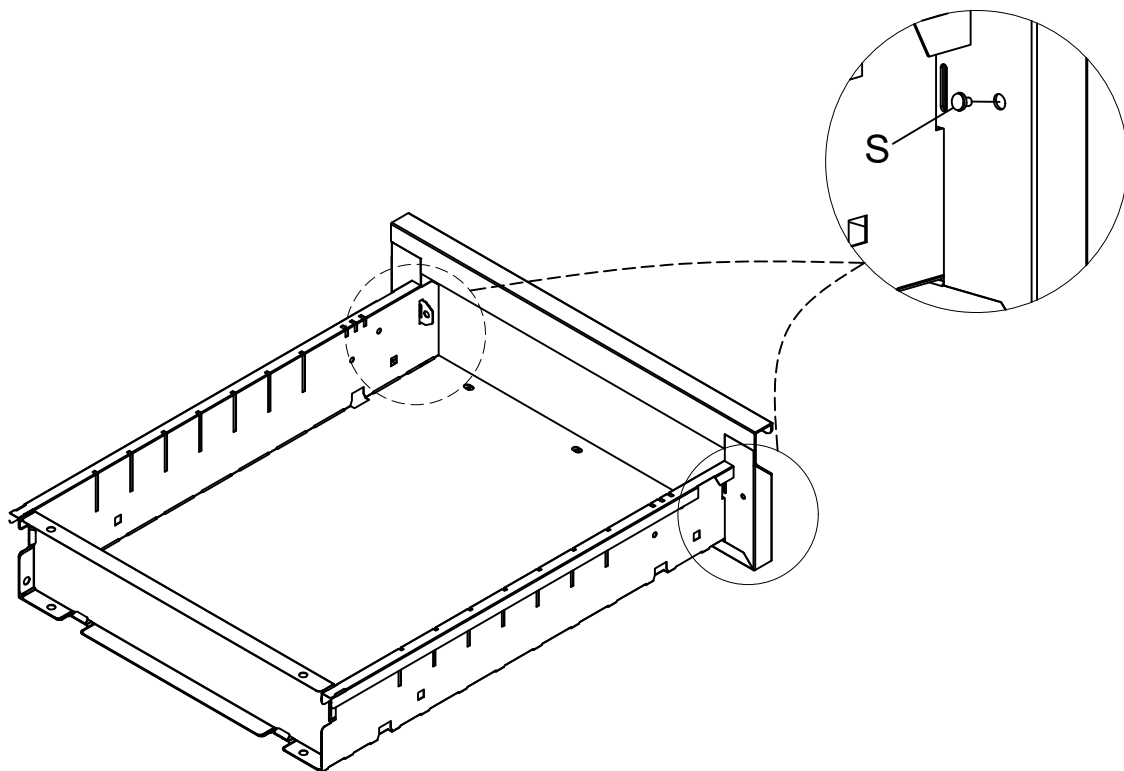


Insert the drawer back wall from the inside. Make sure that the four little tabs protruding from Part I are all inserted.



Then use the screwdriver to bend the circled four tabs.

20

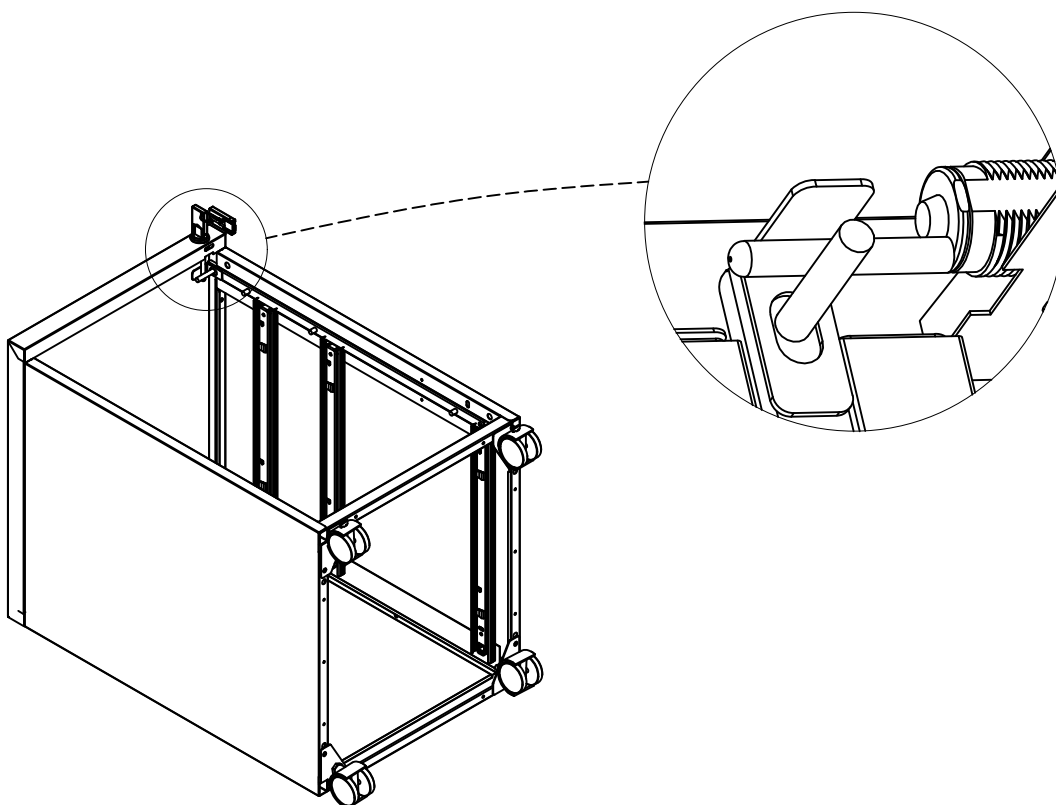


S×2



21

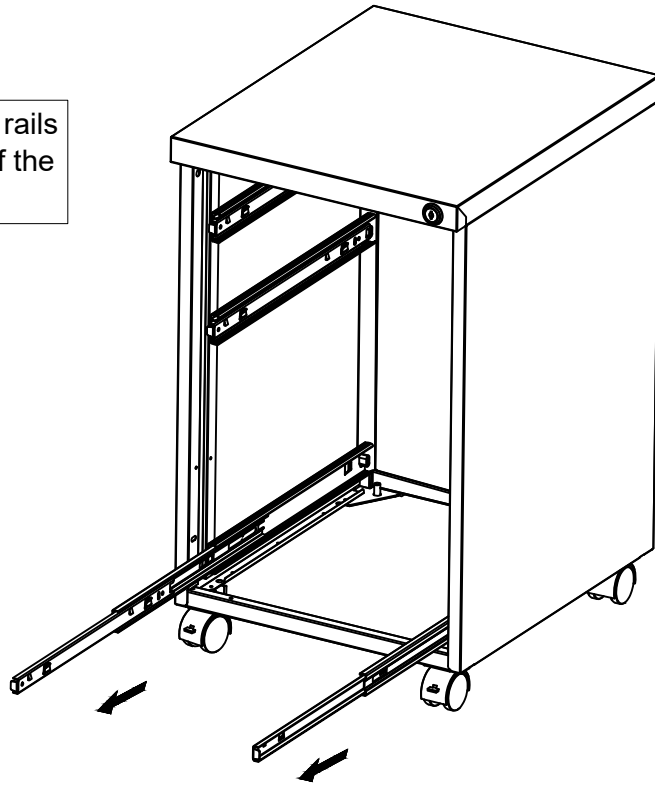
Once the top panel is in place, insert the key into the lock, keep the lock in the open position (turned 180 degrees clockwise), and then make sure the lever at the end of the lock is in the position shown (near the bottom), otherwise the drawer will not be able to be fully closed after installation.



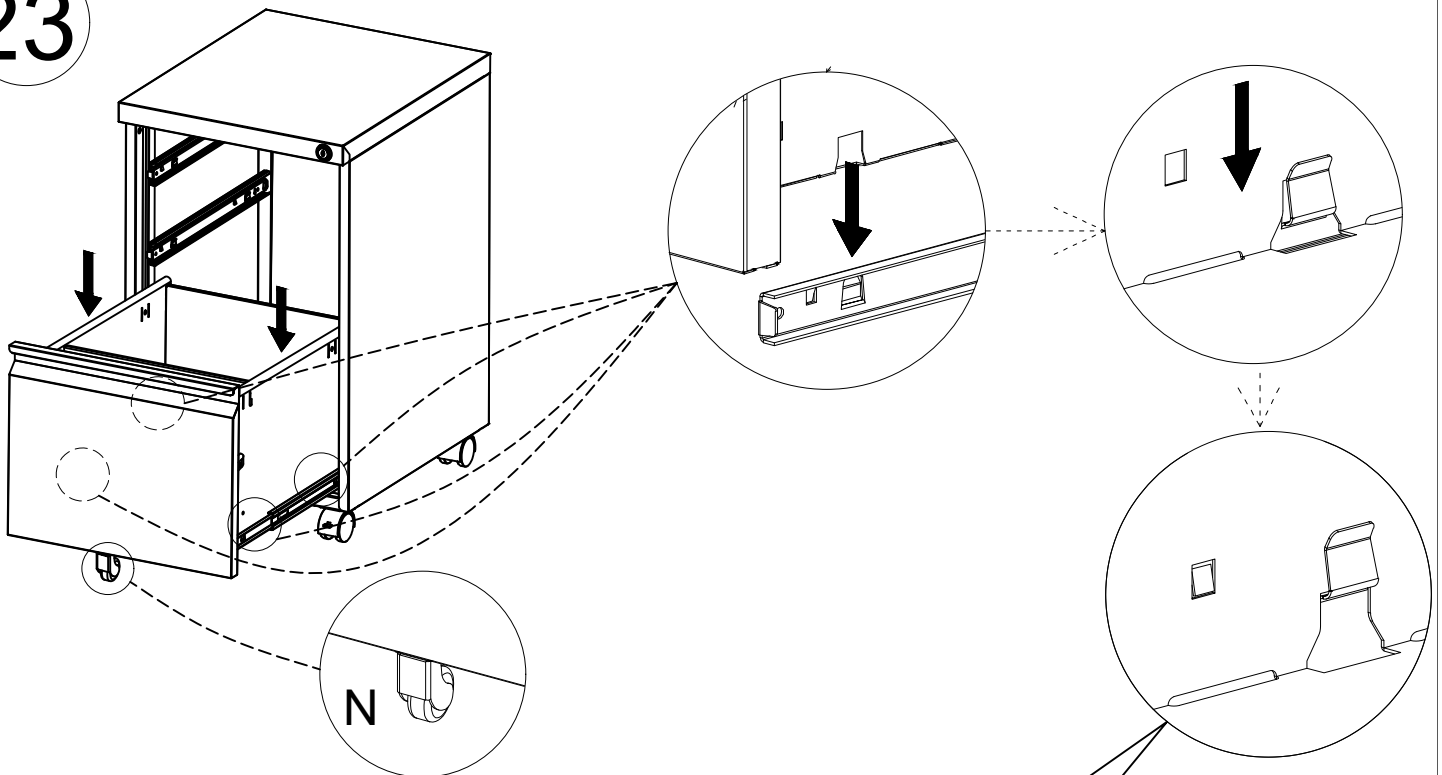
22

Take care to put it in the drawer with wheels first.

Pull out the two sliding rails at the arrow position of the cabinet completely.

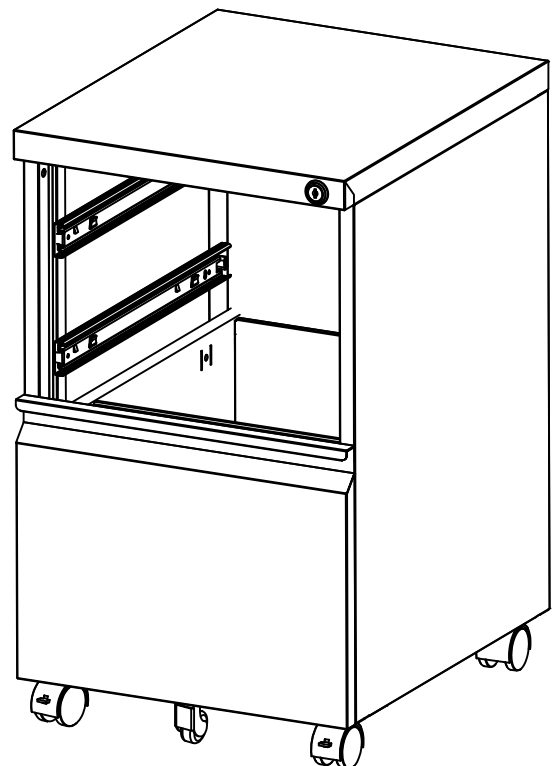
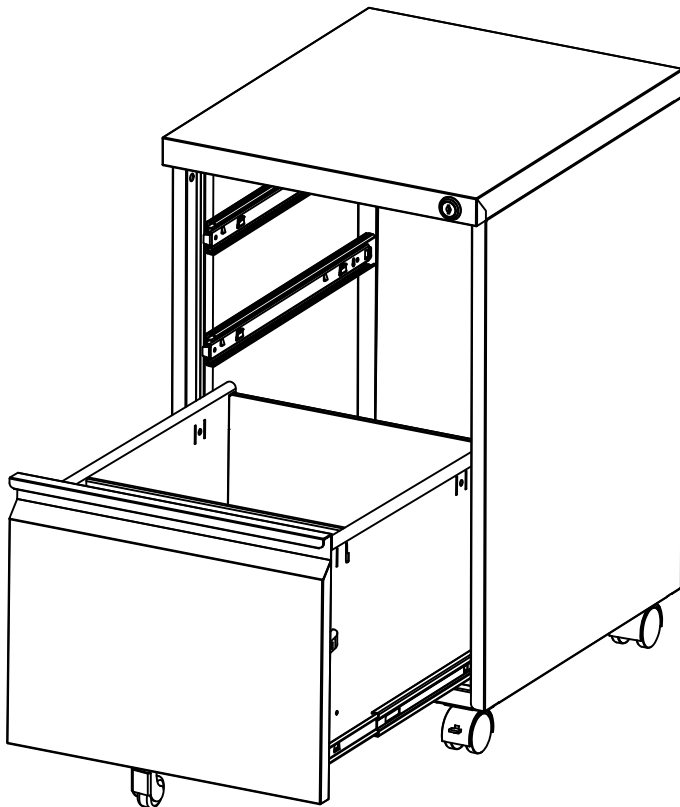
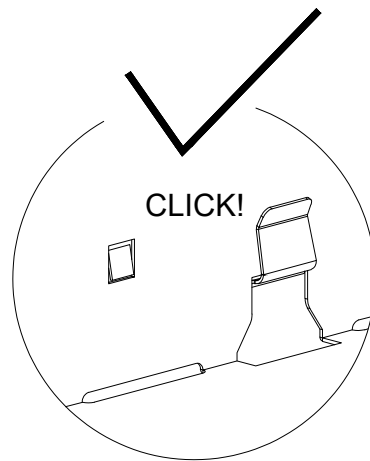
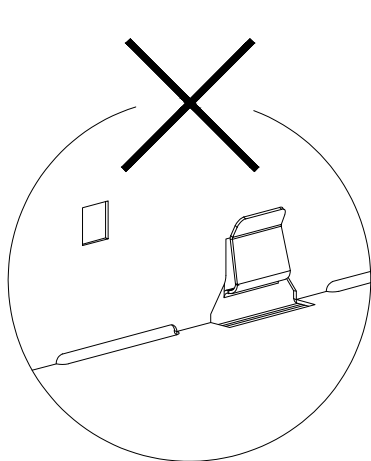


23



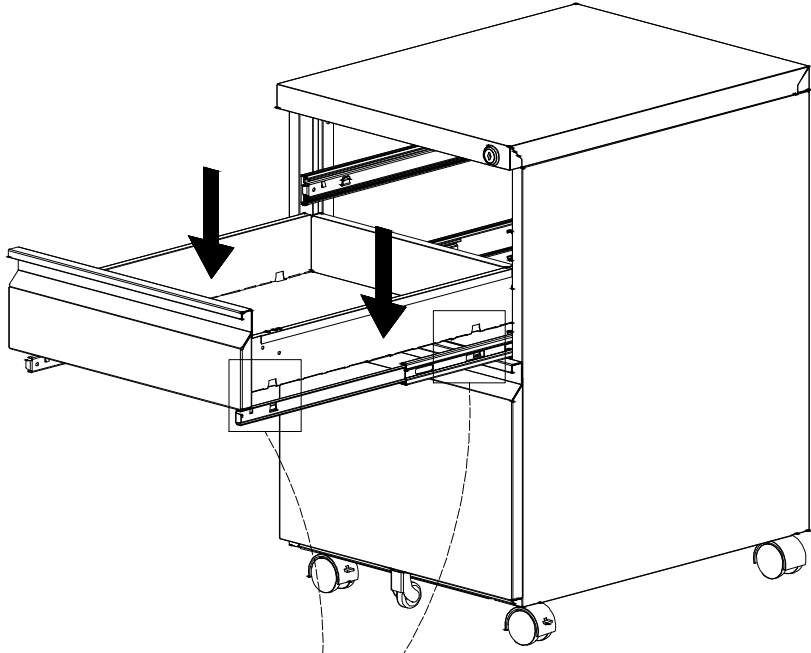
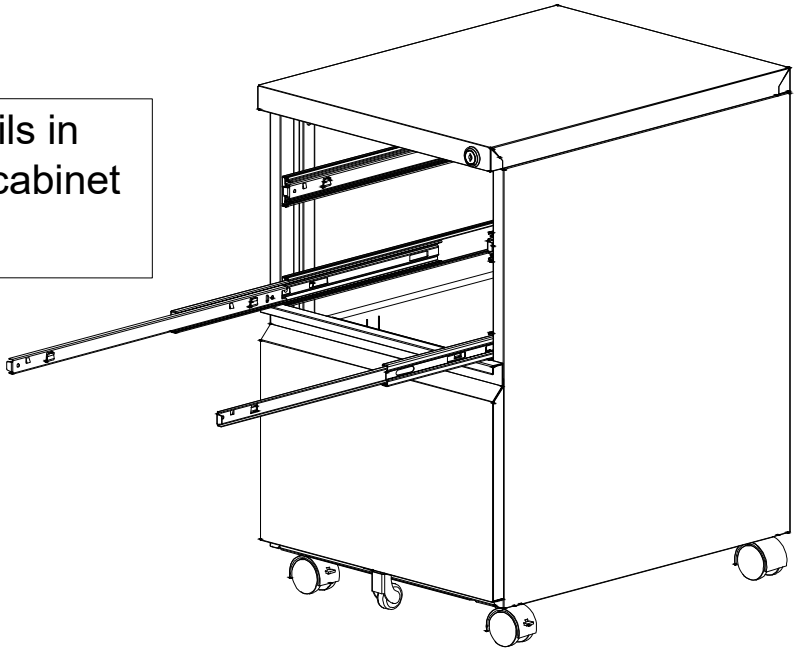
Align the four holes in the side wall of the drawer with the four clips on the slide rails, then press the drawer down with force until the slide clips are fully snapped into place, or lift the slide rails upward while pressing down on the drawer to get the drawer in place, otherwise the drawer will not close.

Before closing the drawers, make sure you have pressed down with some force on all four corners of the drawer to lock with the slide rails. If you don't hear the locking noise, it's not locked in place and the drawer may not close completely. You can verify that the drawers are in place by checking the snaps in four positions inside the drawer.

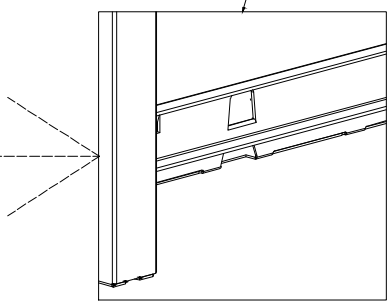
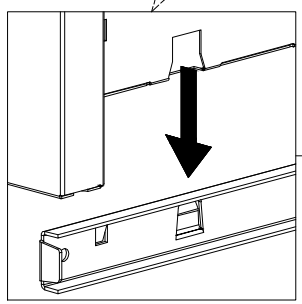


25

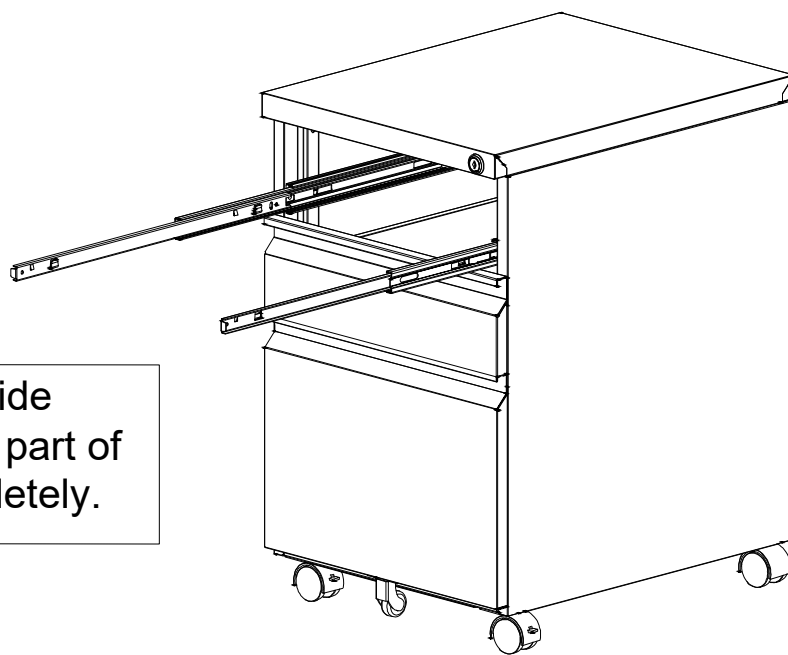
Pull out the two rails in the middle of the cabinet completely.



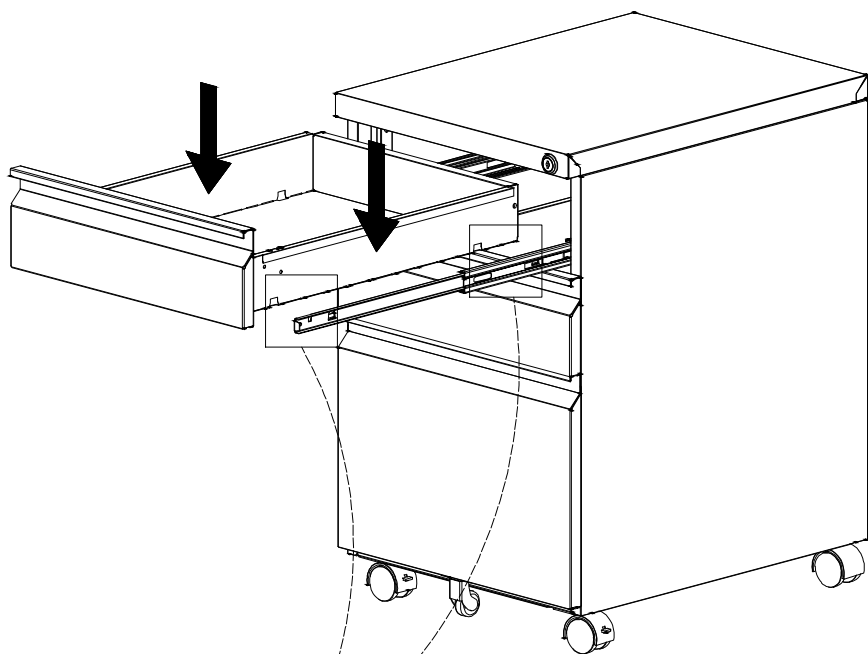
Use the left and right slide rails to fasten the assembled small drawer as shown in the figure, and then tap the small drawer to make the two fully clamped.



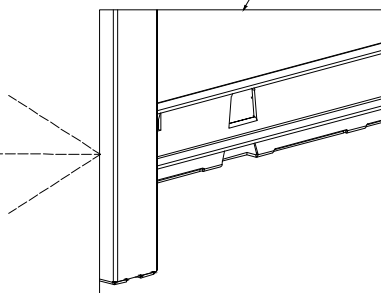
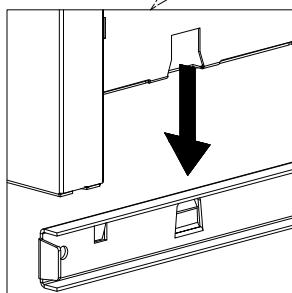
26



Pull out the two slide rails on the upper part of the cabinet completely.



Use the left and right slide rails to fasten the assembled small drawer as shown in the figure, and then tap the small drawer to make the two fully clamped.



27

