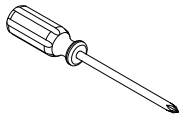


Assembling

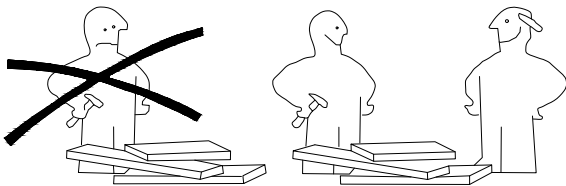
What you need

- Use the packaging carton as a working surface to prevent product damage during assembly
- Phillips head screwdriver



Weight Limitation

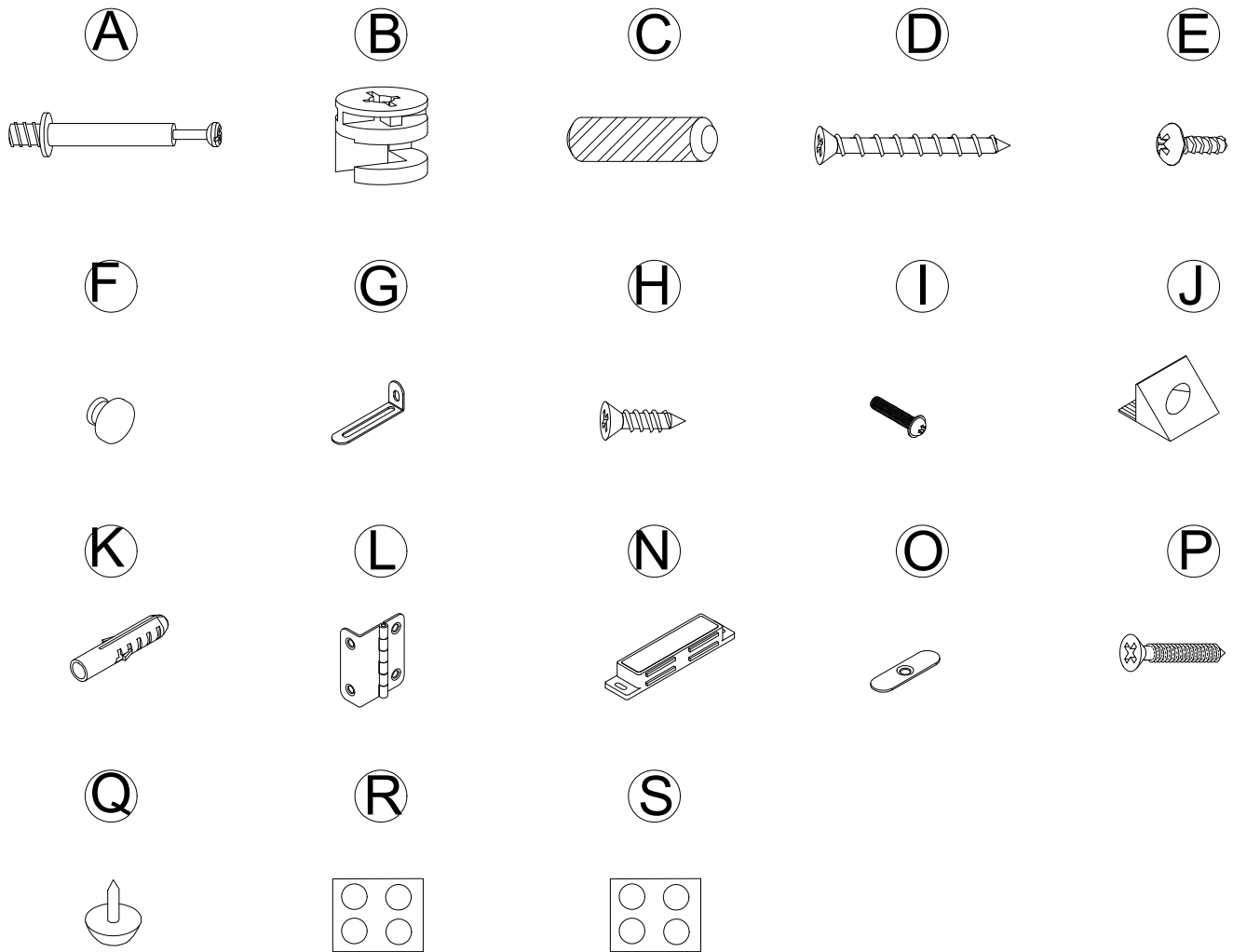

100 | **35**
 lbs table top lbs per



What' included

Code	Description	Qty
A	Cam Bolt M6X35MM	68
B	Cam Lock 15X9MM	68
C	Wooden Dowel M8X30MM	30
D	Screw M4X40MM	34
E	Screw M3.5X14MM	8
F	Metal shake handhandle	4
G	Nylon Strap	2
H	Screw M3.0X14MM	62
I	Cam Bolt M4X18MM	4
J	The back button	24
K	Anchor	2
L	Hinge	8
N	Ron absorption	3
O	Metal handle	6
P	Screw M4X30MM	7
Q	Foot nail	6
R	Hole position sticker	16
S	Hole position sticker	48

The Hardwares



IMPORTANT:

1. Do not tighten bolts / screws completely until all bolts / screws are lined up and inserted into holes.
2. Do not over tighten screws and bolts to avoid stripping
3. Please use hand tools to assemble this product, you can also use power tools (please use power tools carefully)

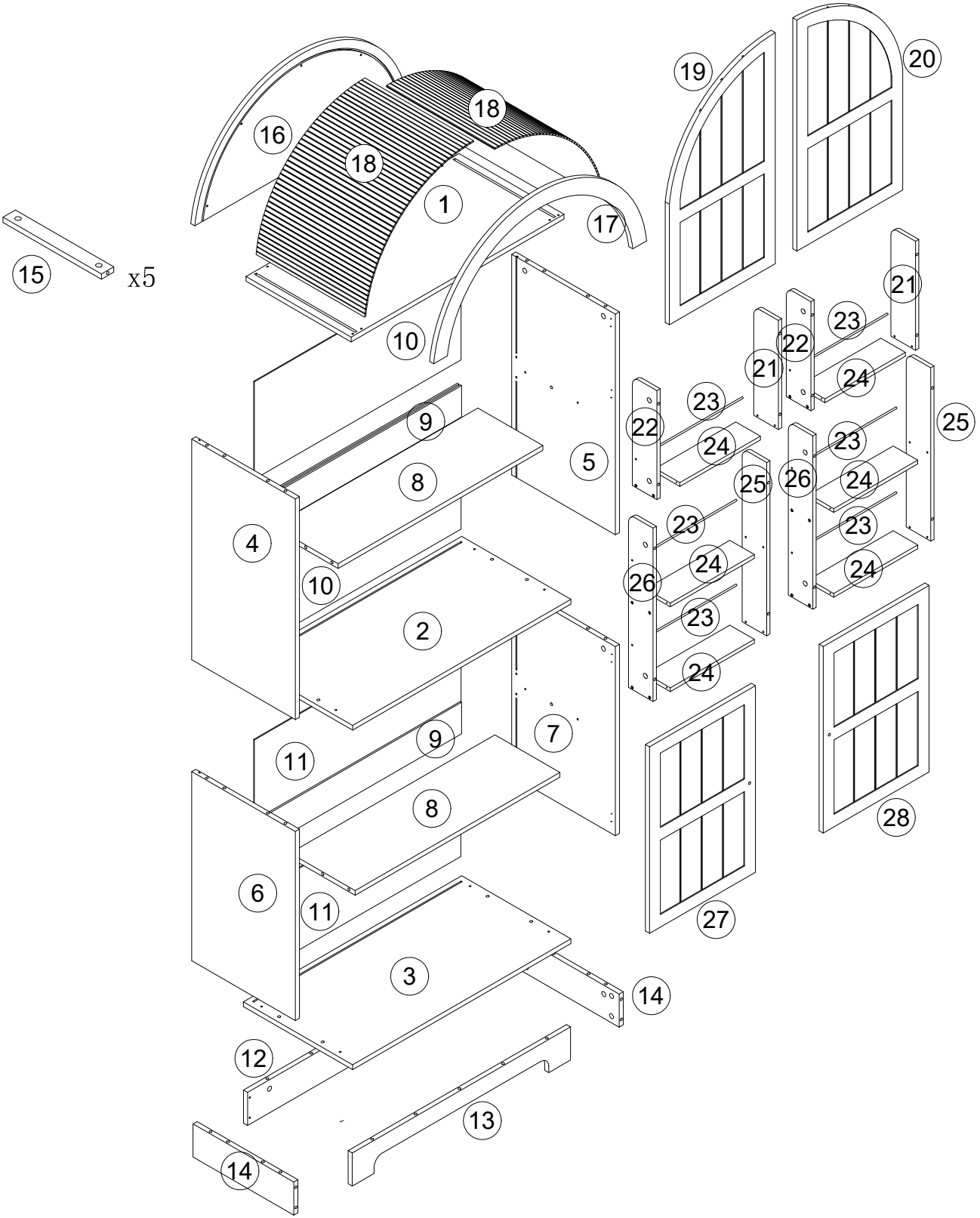
Included Accessories

Code	Description	Qty
1	Cabinet Top	1
2	Intermediate laminate	1
3	Bottom Panel	1
4	Superior left side plate	1
5	Superior right side plate	1
6	Inferior left side plate	1
7	Inferior right side plate	1
8	Fixed laminate	2
9	After the gusset plates	2
10	Upper back brace	2
11	Lower back panel	2
12	After the gusset plates	1
13	Front Support Bar	1
14	Short drain	2
15	Reinforcing plate	5
16	Epigonotum	1
17	Front apron	1
18	Top plate	2

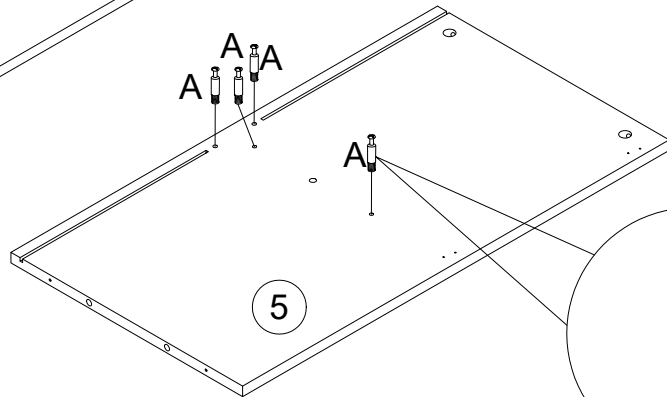
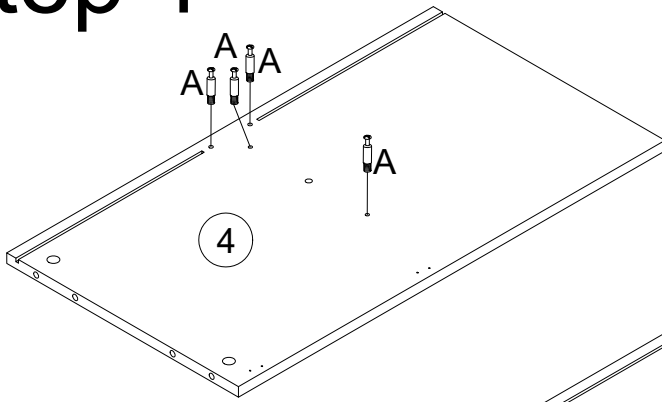
Included Accessories

Code	Description	Qty
19	Left door panel	1
20	Right door panel	1
21	Left short side panel	2
22	Right short side panel	2
23	Metal trim	6
24	Inner layer board	6
25	Left long side panel	2
26	Right long side panel	2
27	Lower left door panel	1
28	Right lower door panel	1

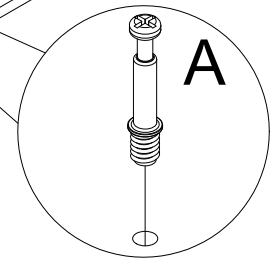
The Accessoriess



Step 1



A	×8



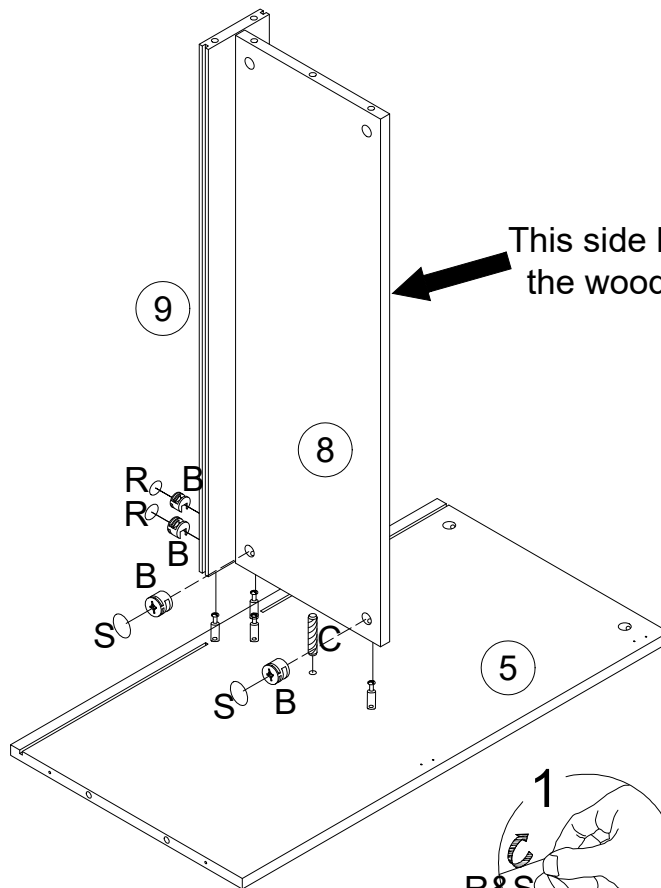
Step 2

B	×4

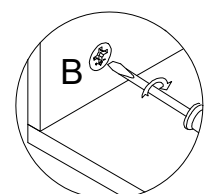
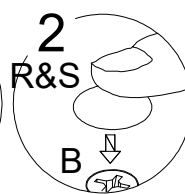
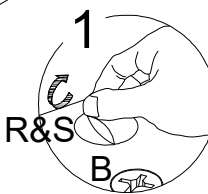
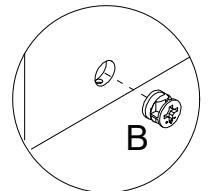
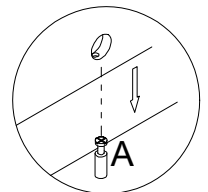
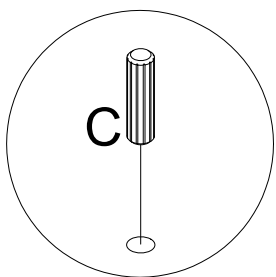
C	×1

R	×2

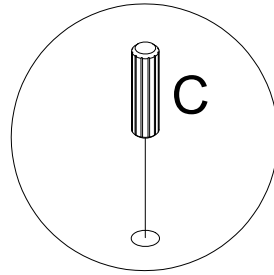
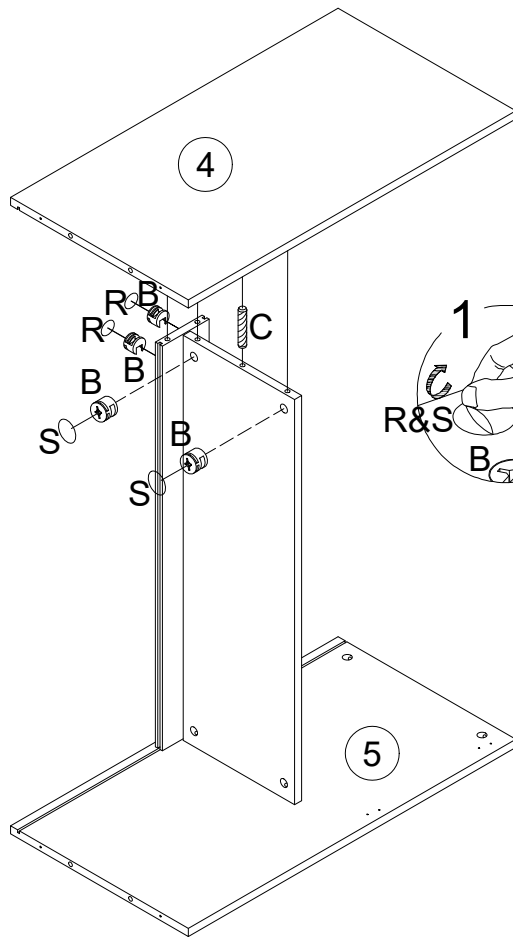
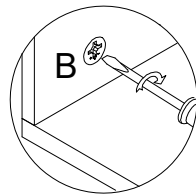
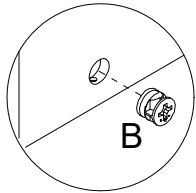
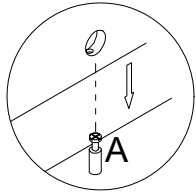
S	×2



← This side has a border, and the wood is not exposed.



Step 3



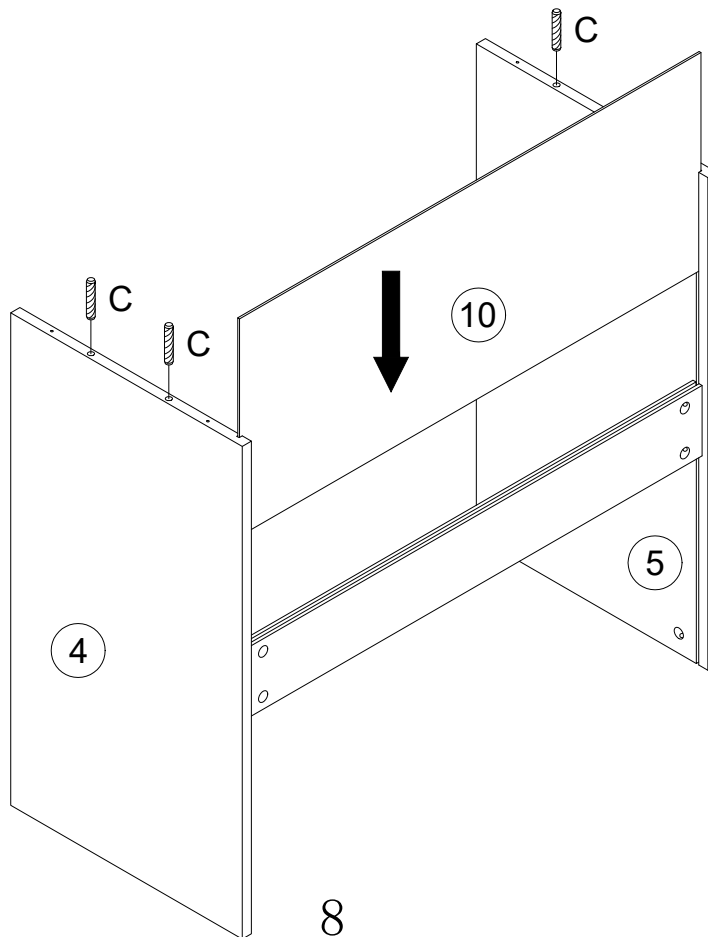
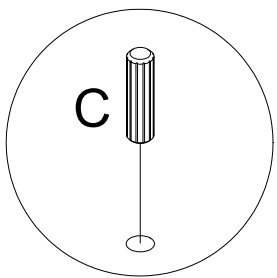
B	×4

C	×1

R	×2

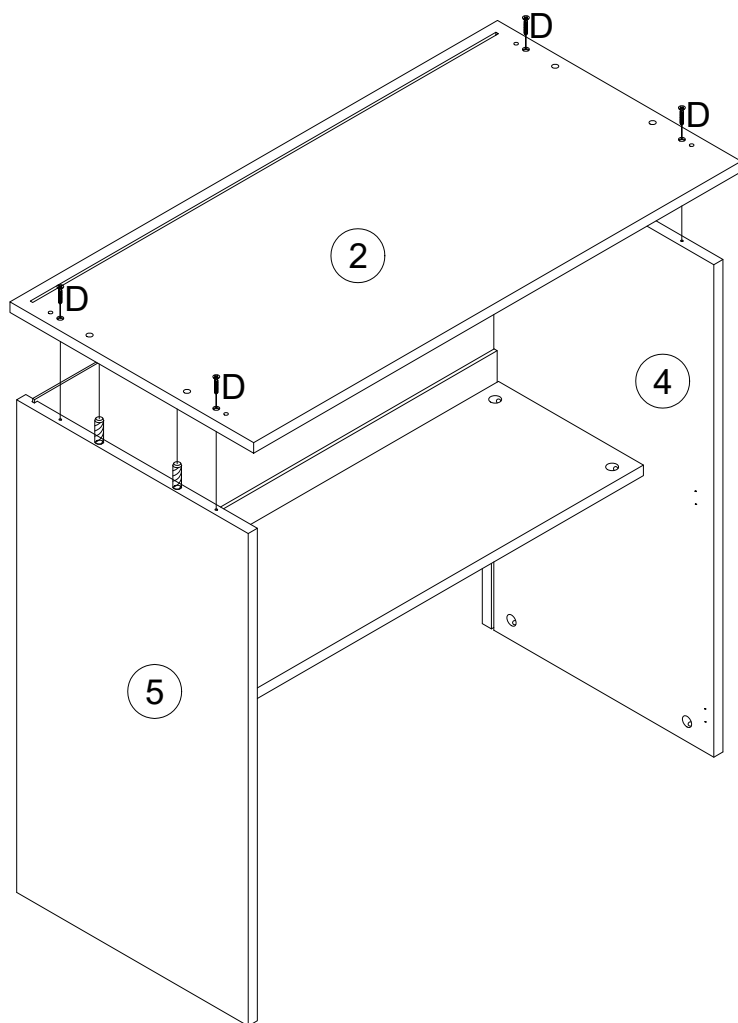
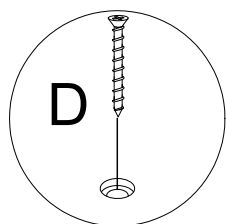
S	×2

Step 4



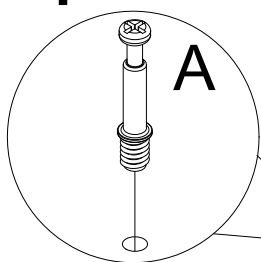
C	×4

Step 5



D	×4

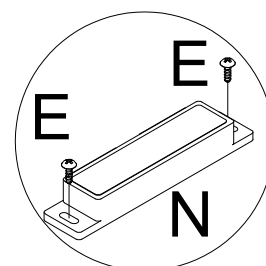
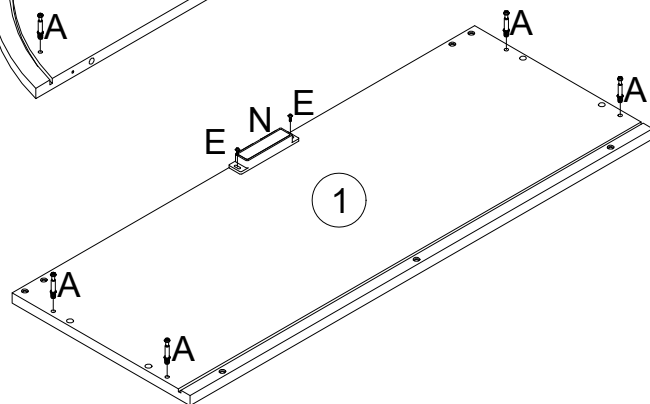
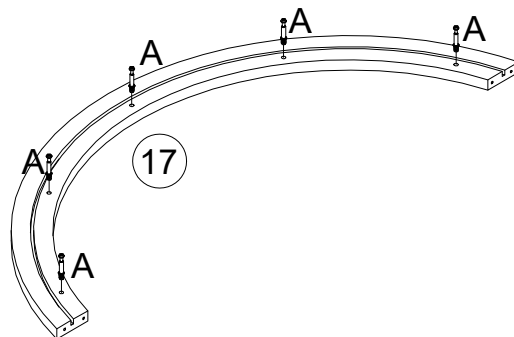
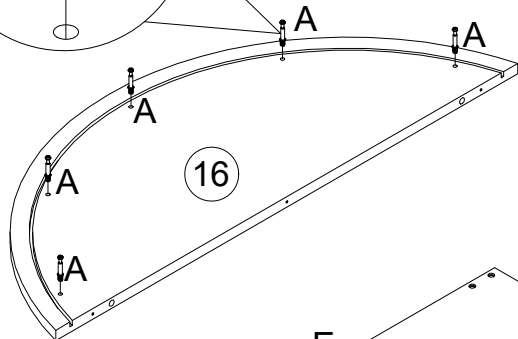
Step 6



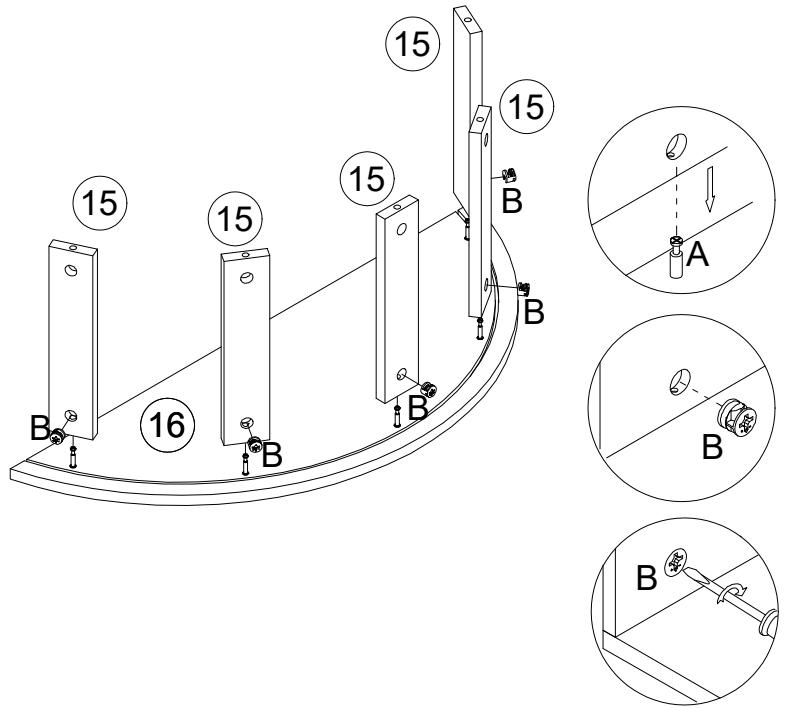
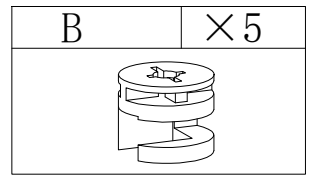
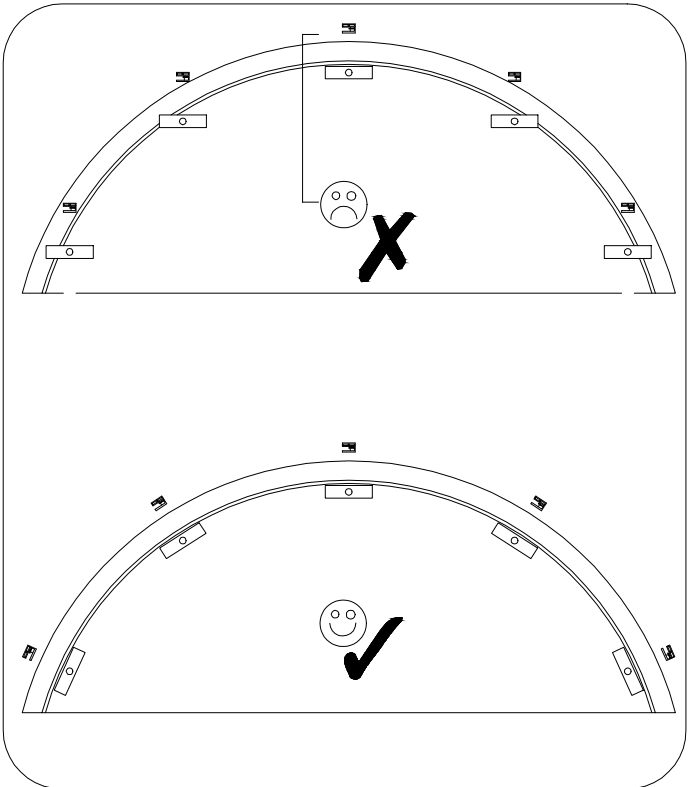
A	×14

E	×2

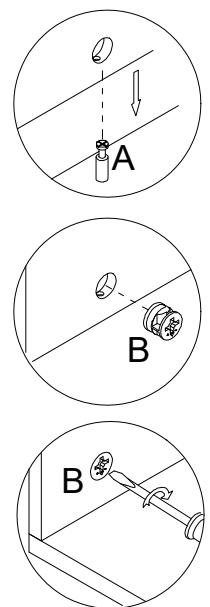
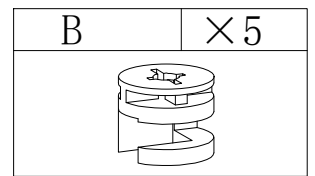
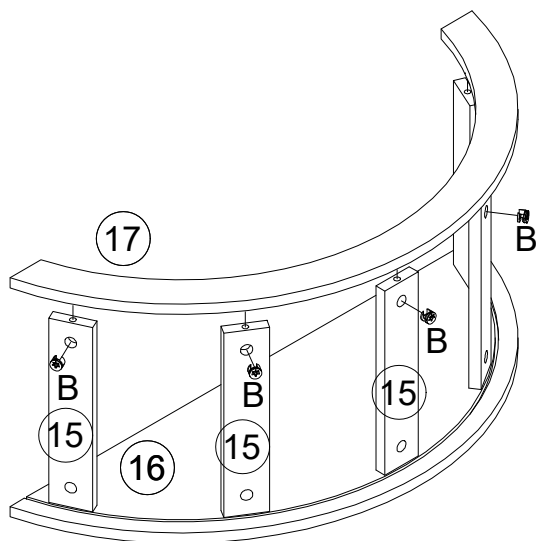
N	×1



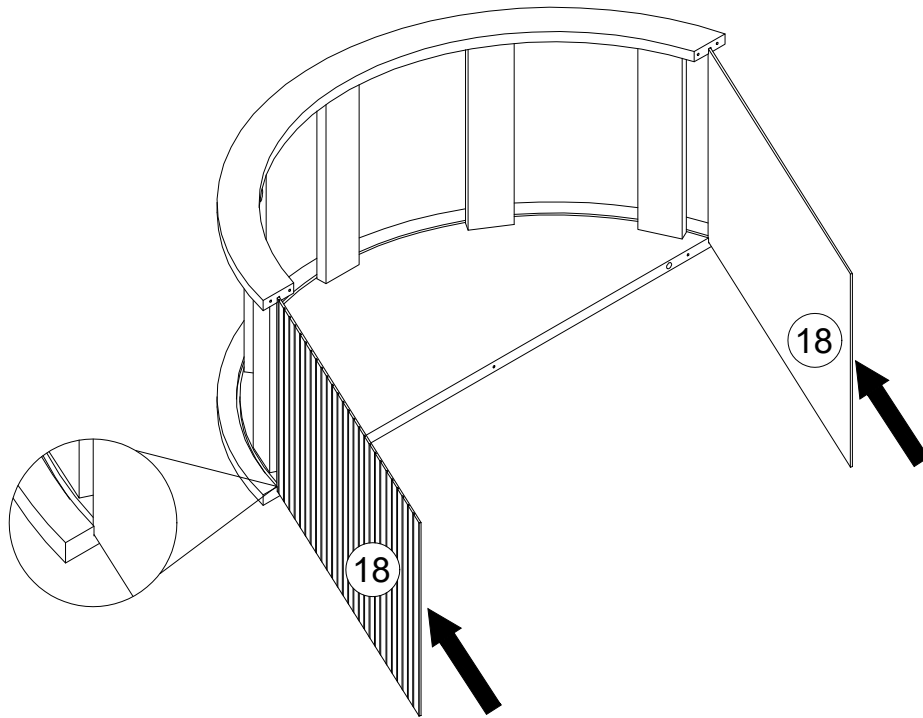
Step 7



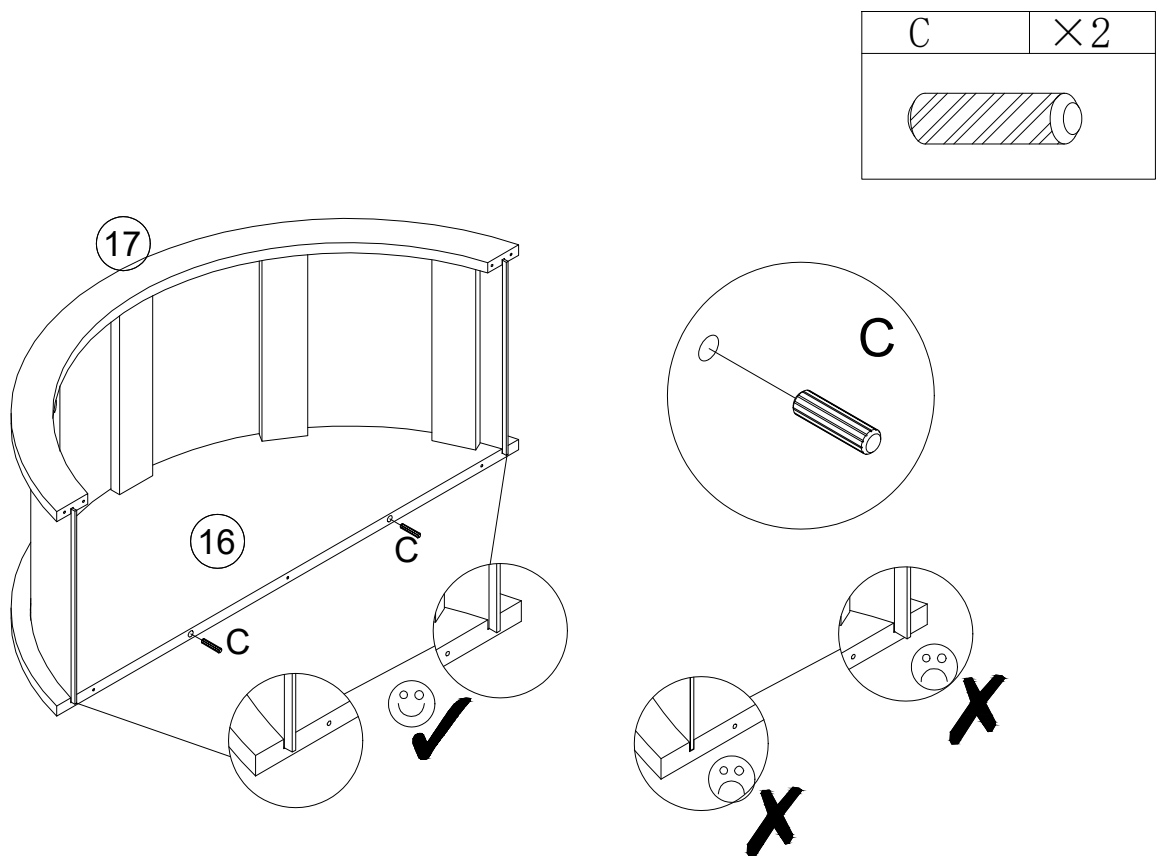
Step 8



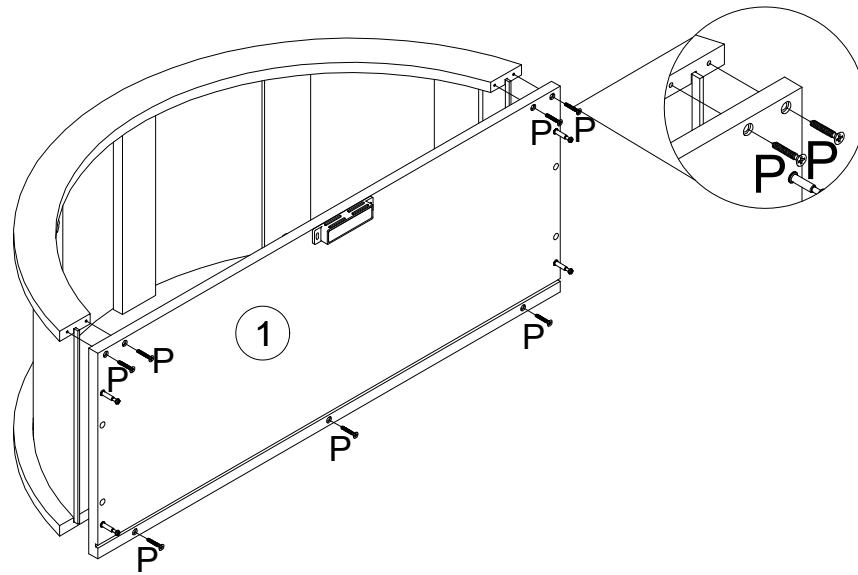
Step 9



Step 10

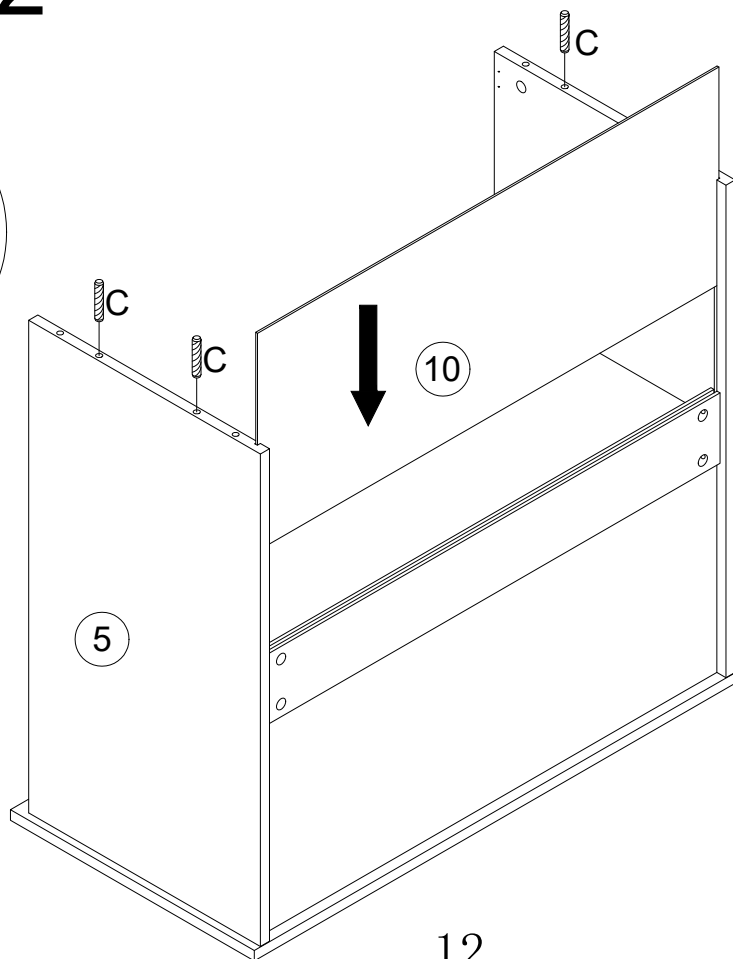
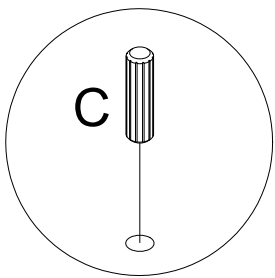


Step 11



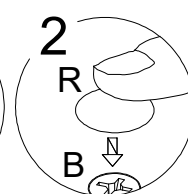
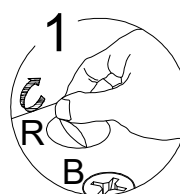
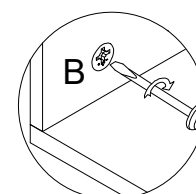
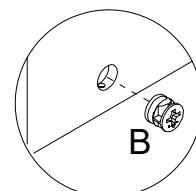
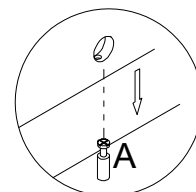
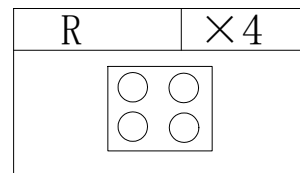
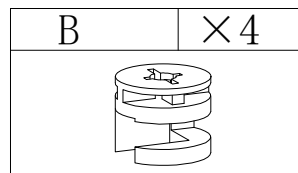
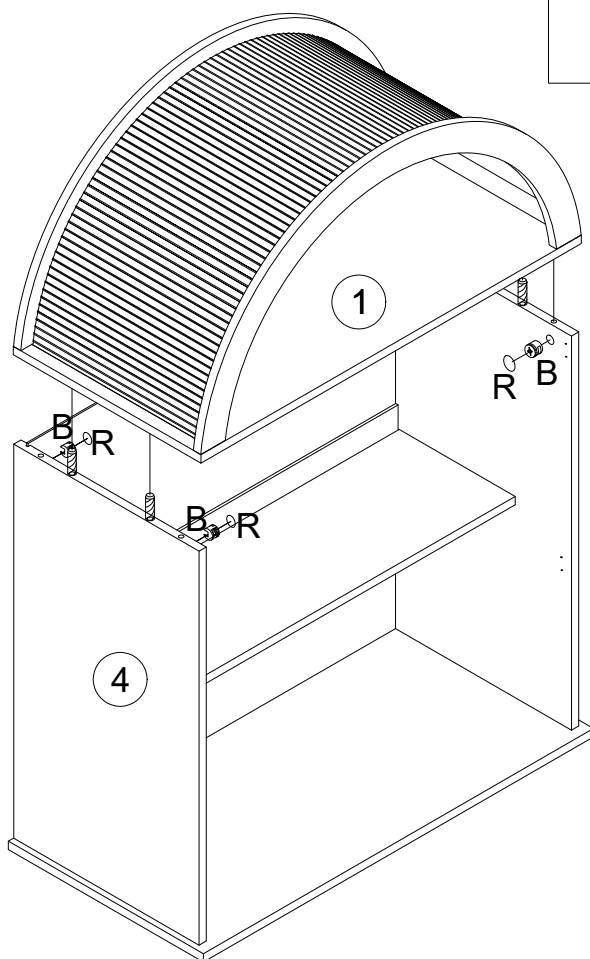
P	×7

Step 12

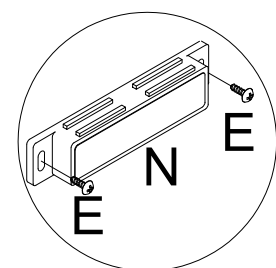
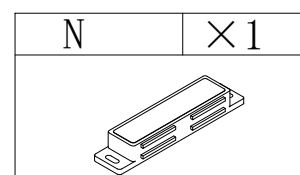
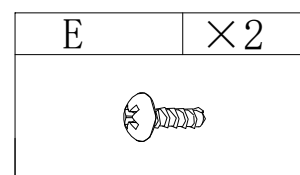
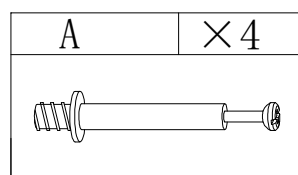
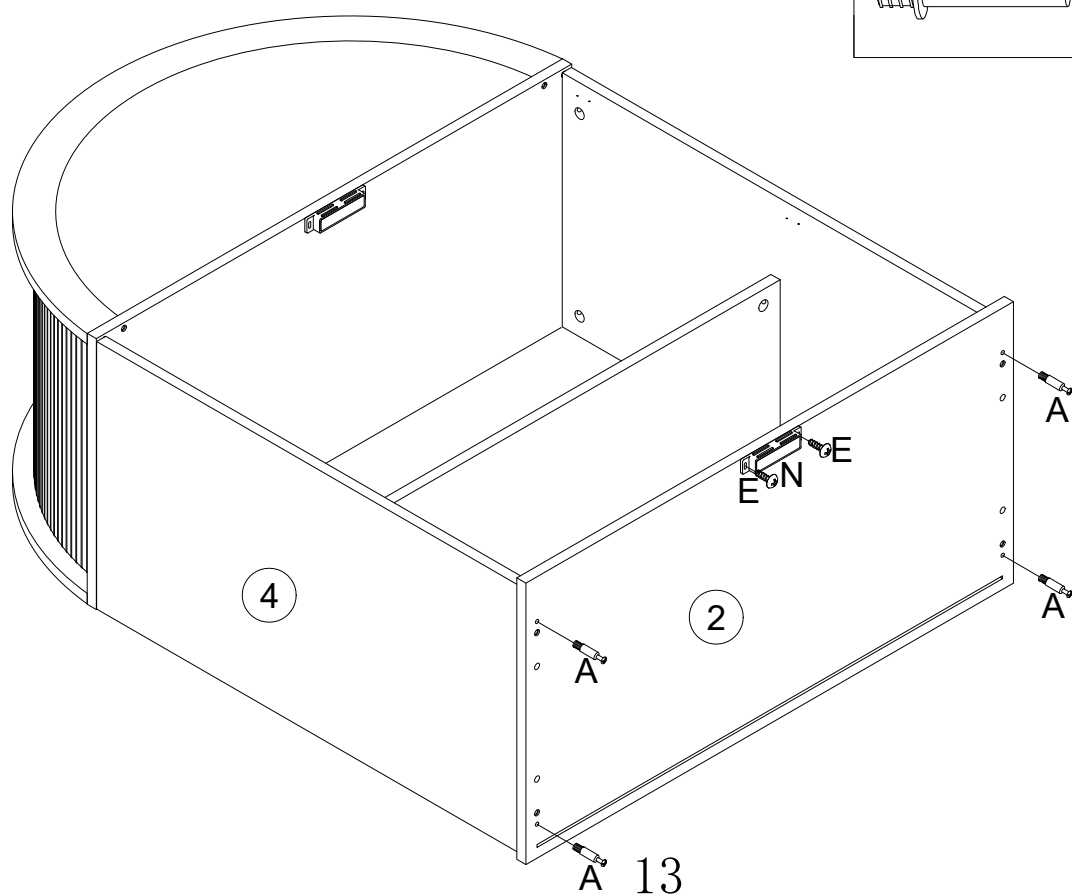


C	×4

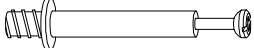
Step 13

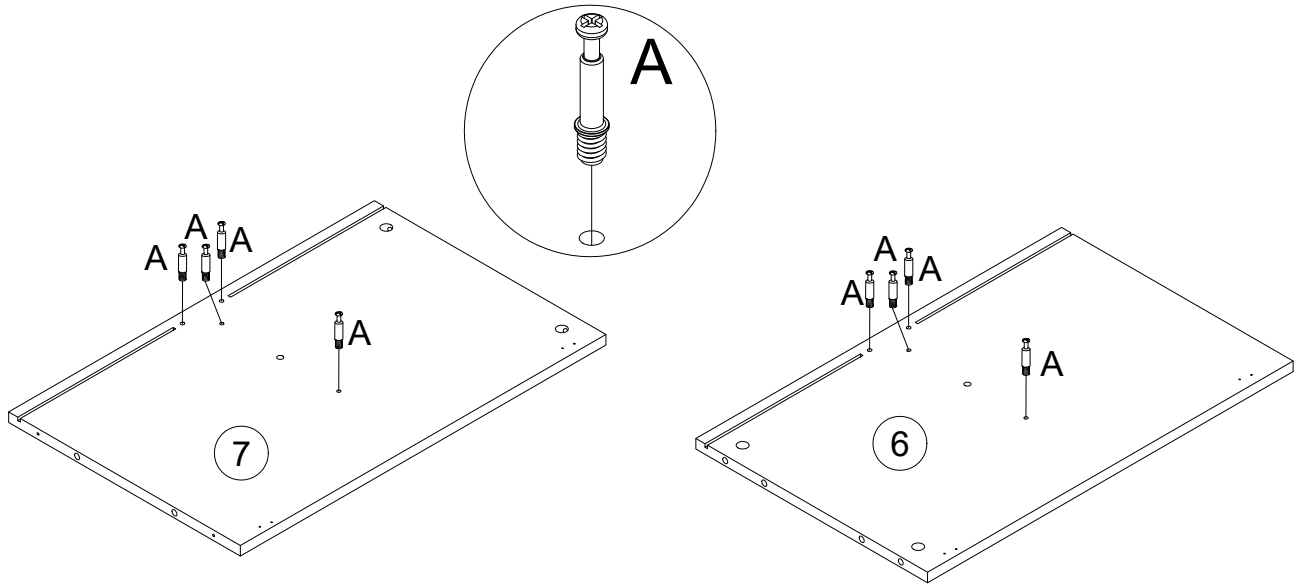


Step 14

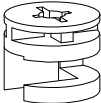


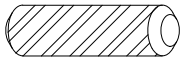
Step 15

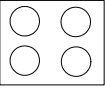
A	×8
	

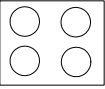


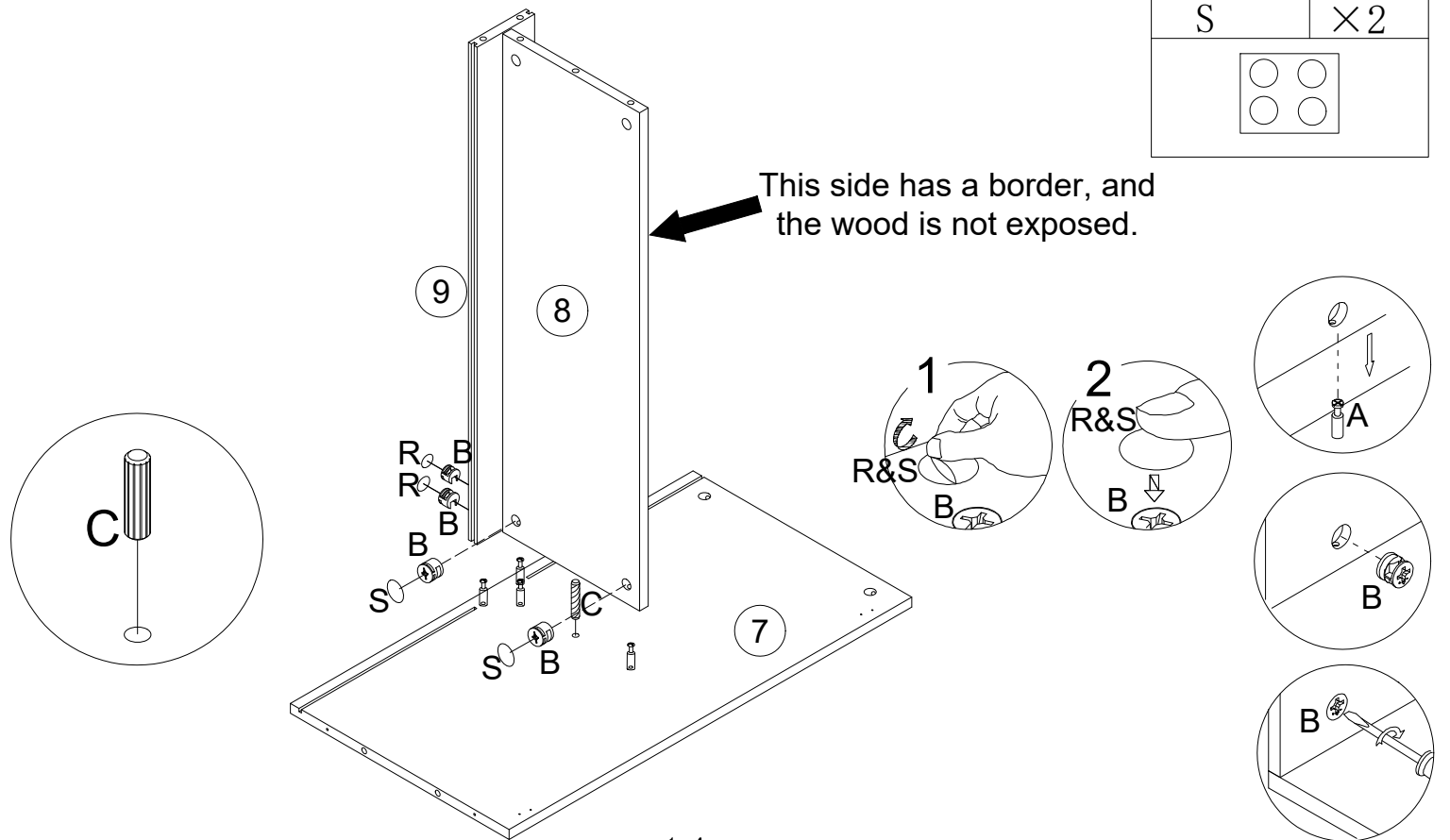
Step 16

B	×4
	

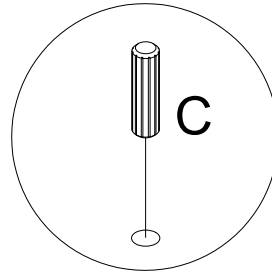
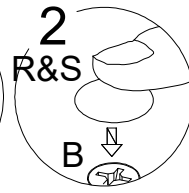
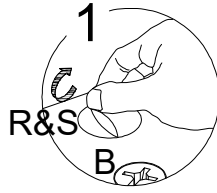
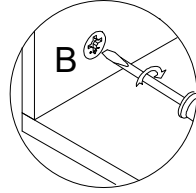
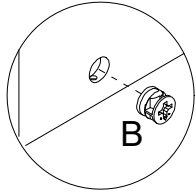
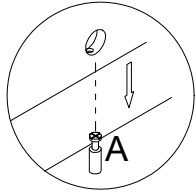
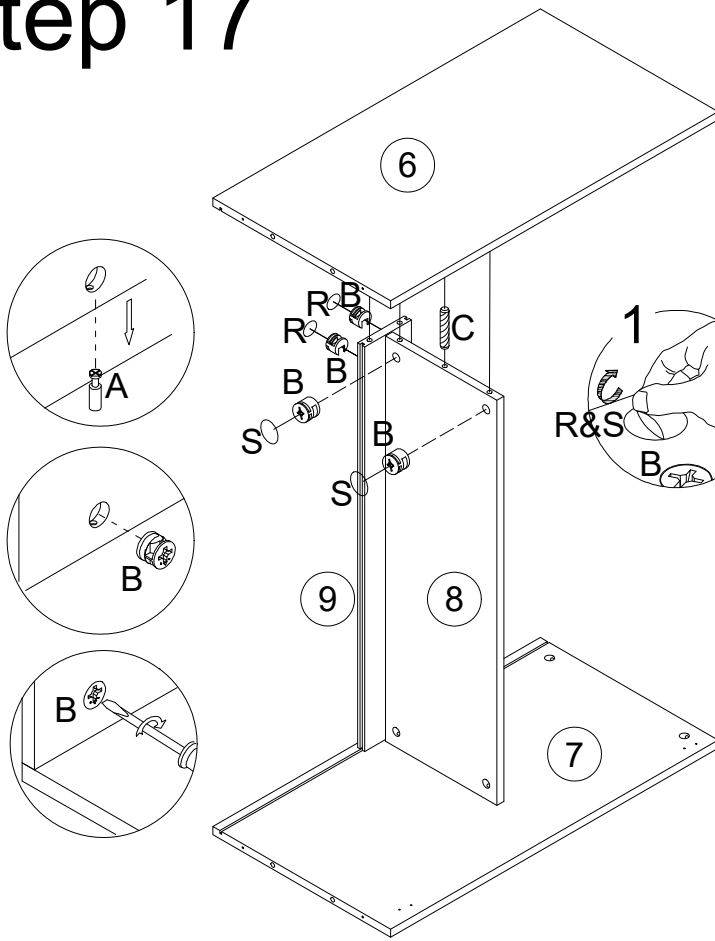
C	×1
	

R	×2
	

S	×2
	



Step 17



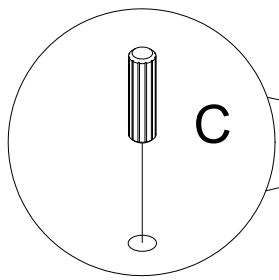
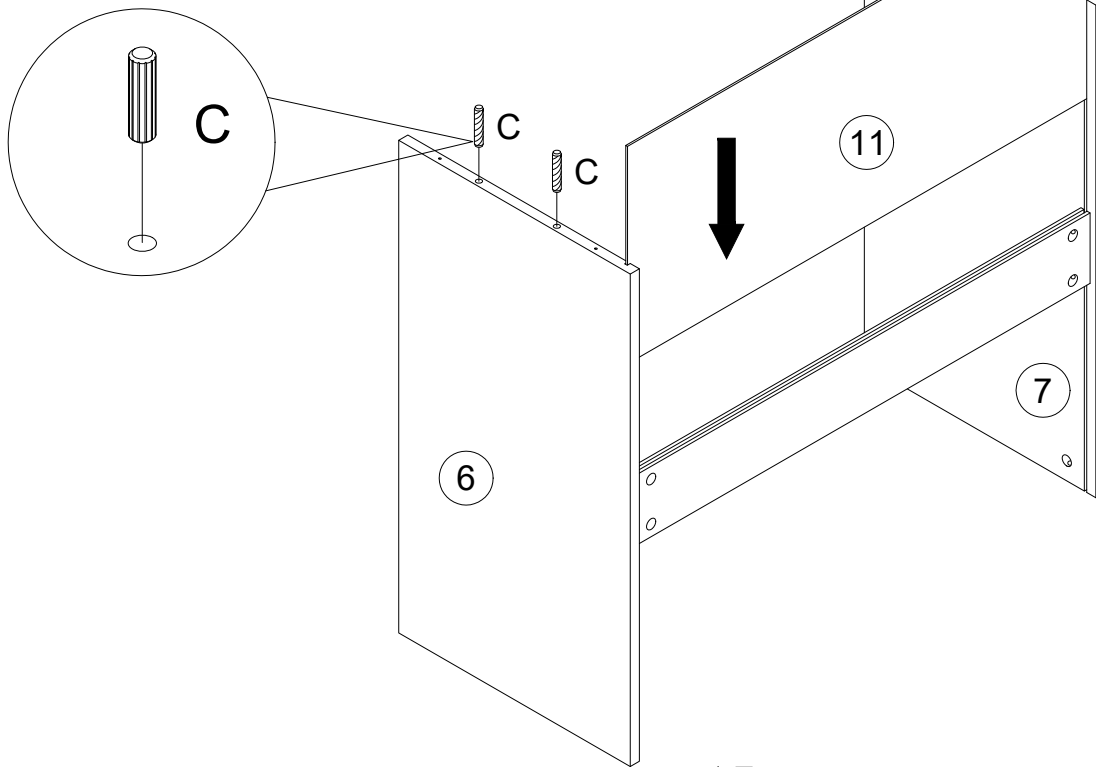
B	×4

C	×1

R	×2

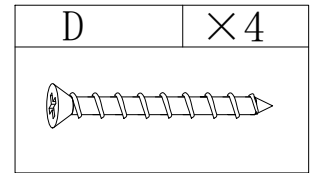
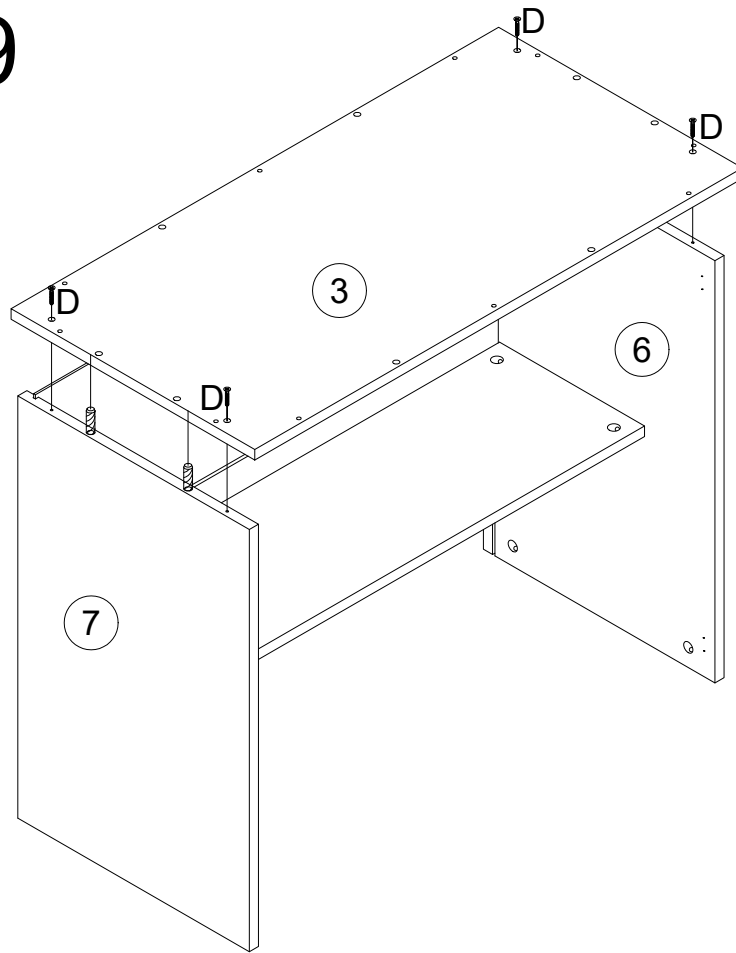
S	×2

Step 18

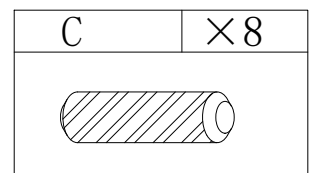
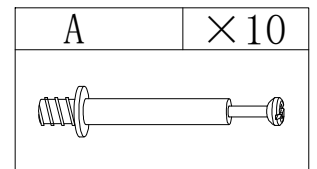
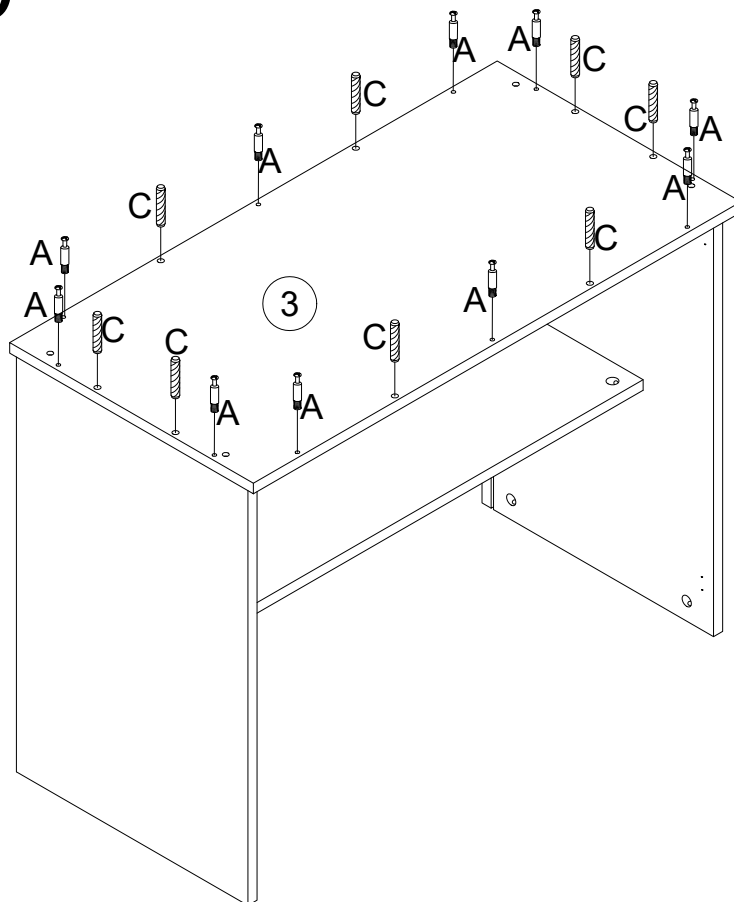
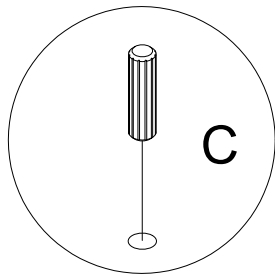
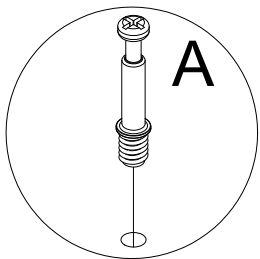


C	×4

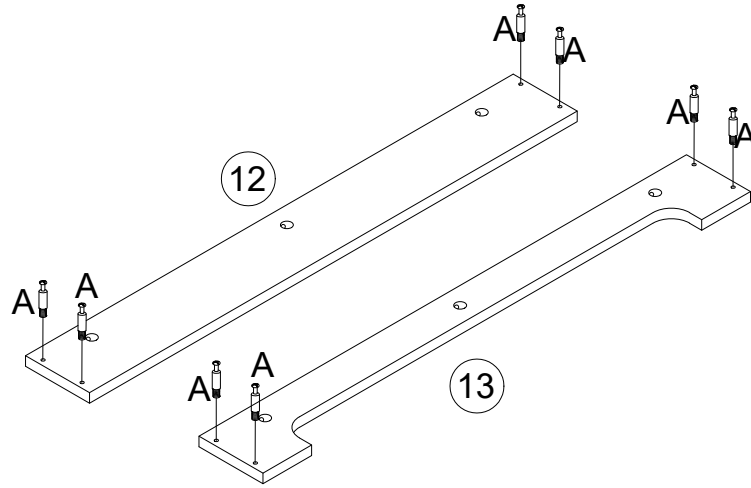
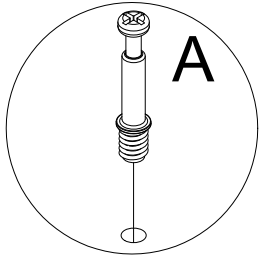
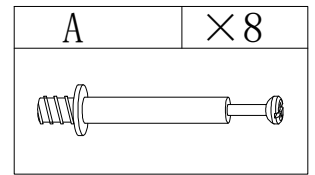
Step 19



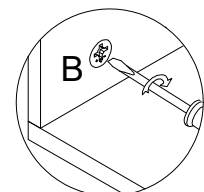
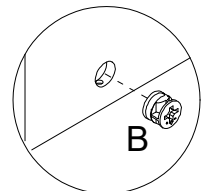
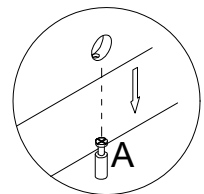
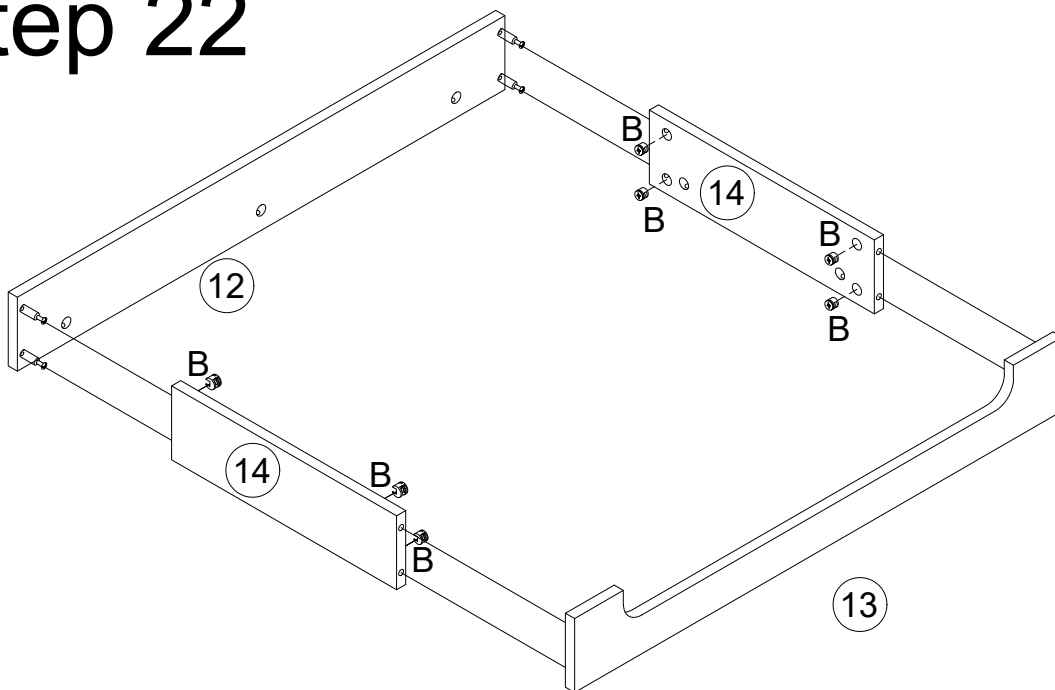
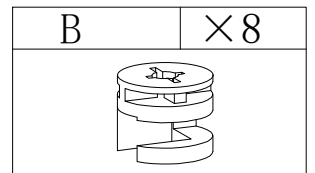
Step 20



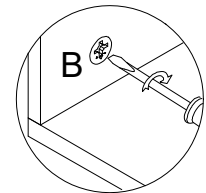
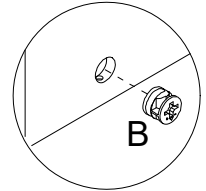
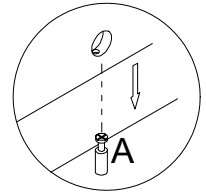
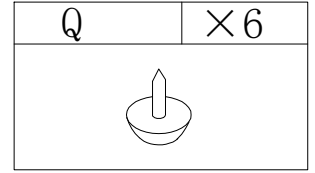
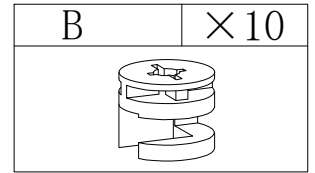
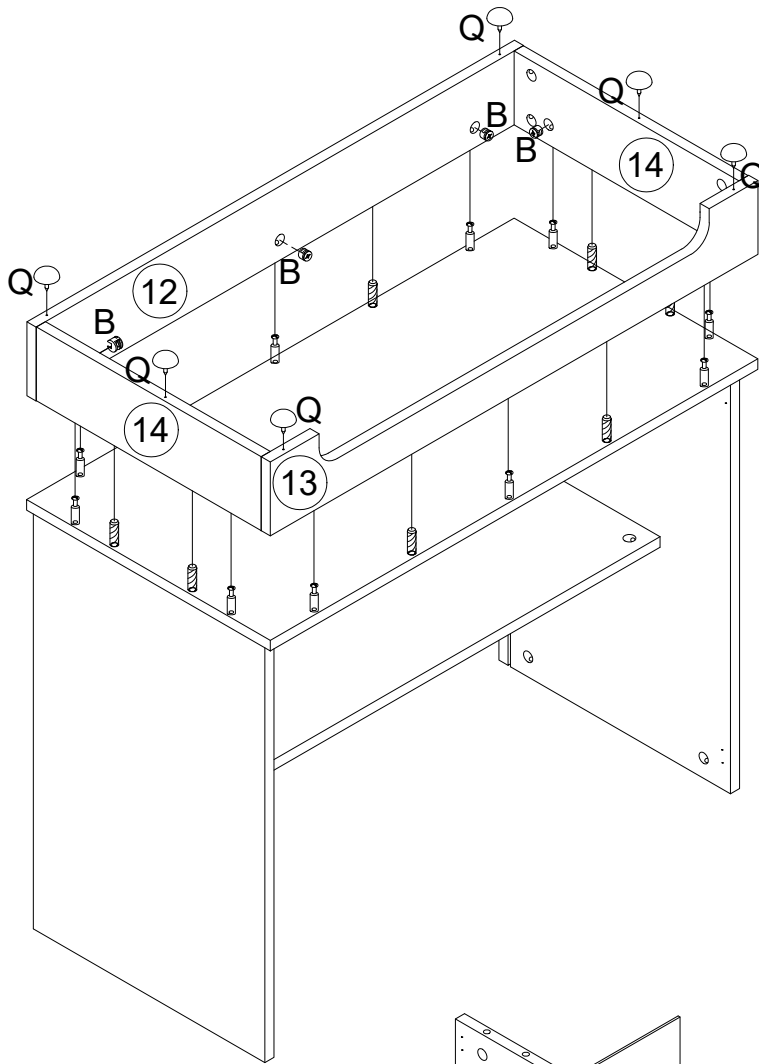
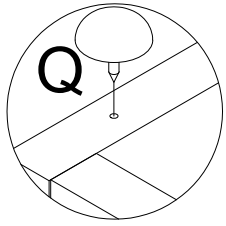
Step 21



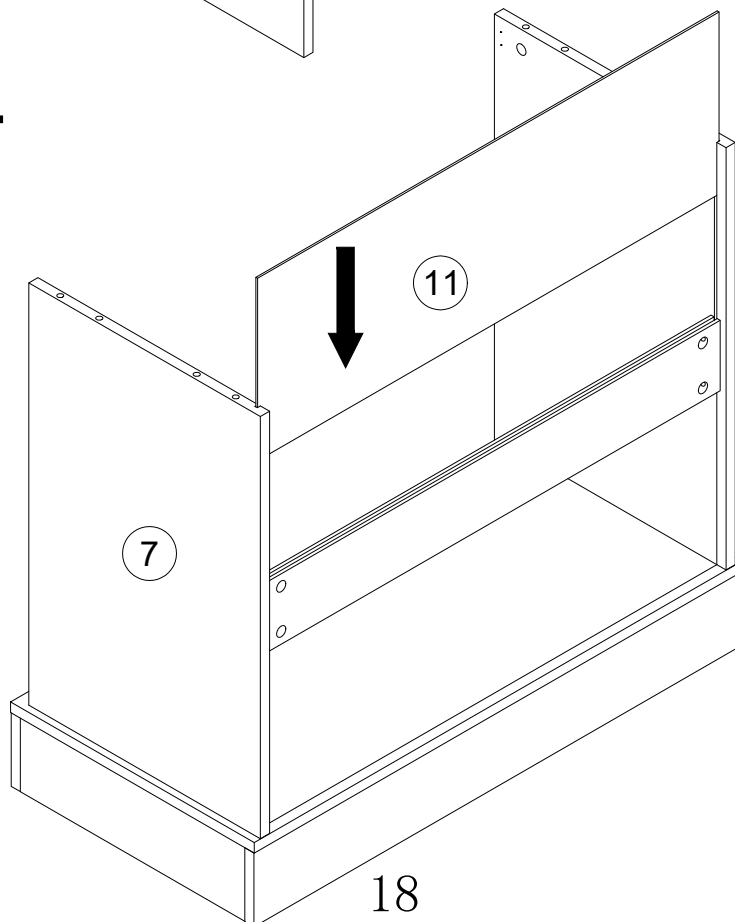
Step 22



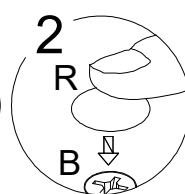
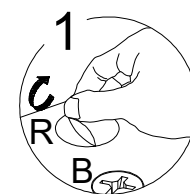
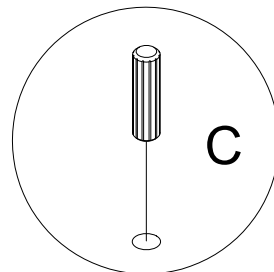
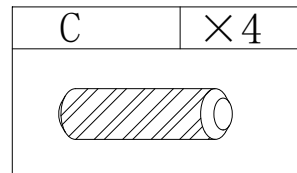
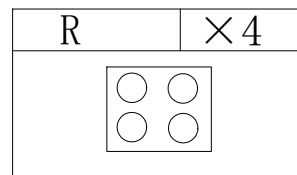
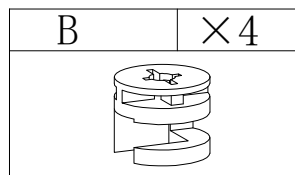
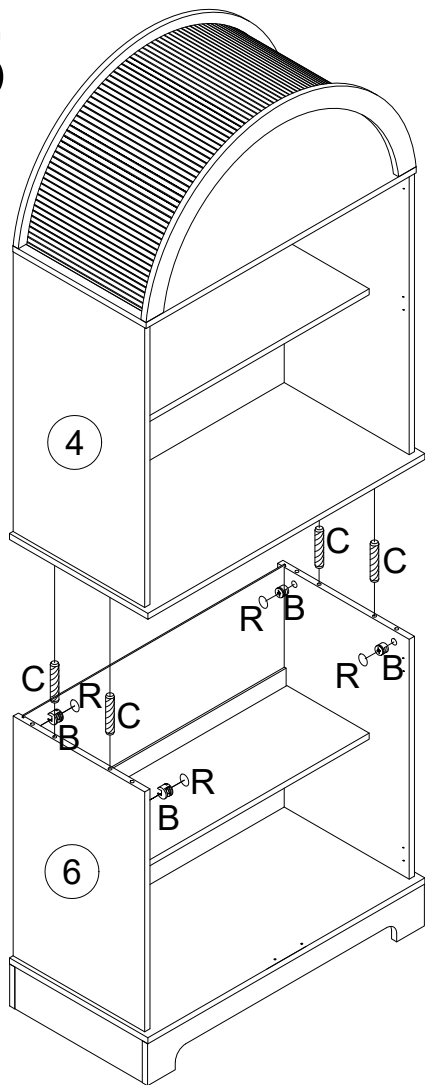
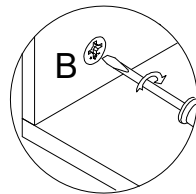
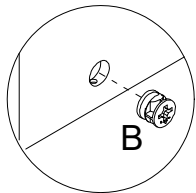
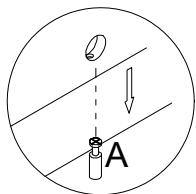
Step 23



Step 24

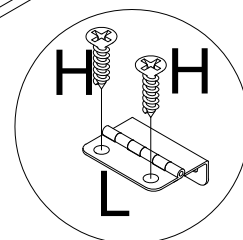
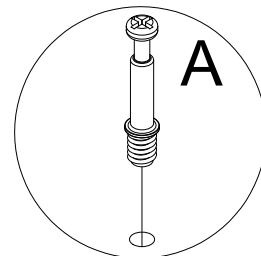
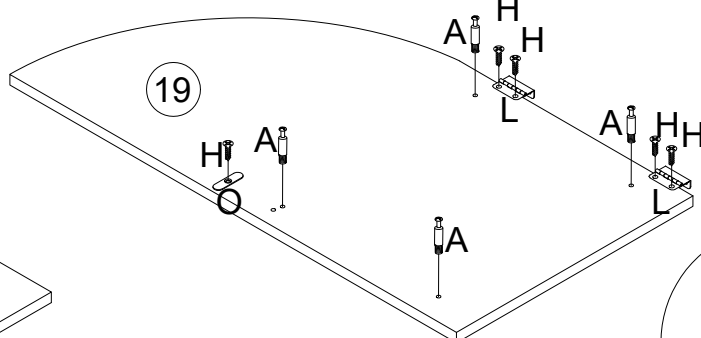
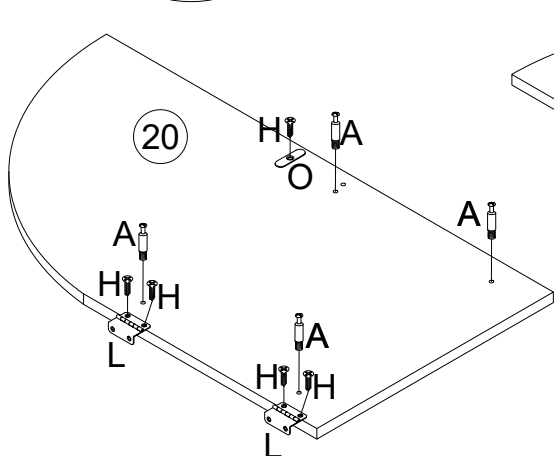
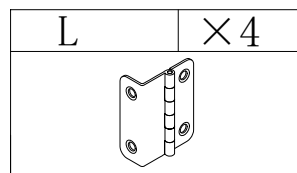
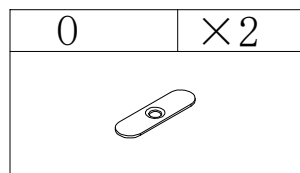
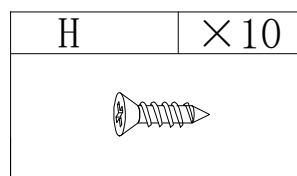
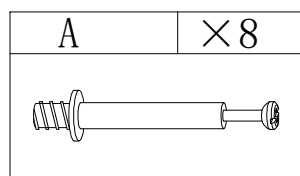
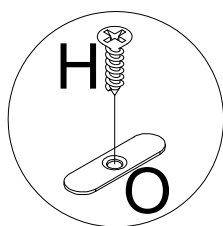
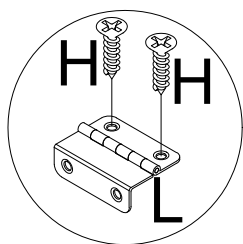


Step 25



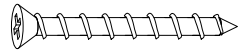
When moving, both sides are lifted at the same time to prevent sudden damage to the plate in the middle.

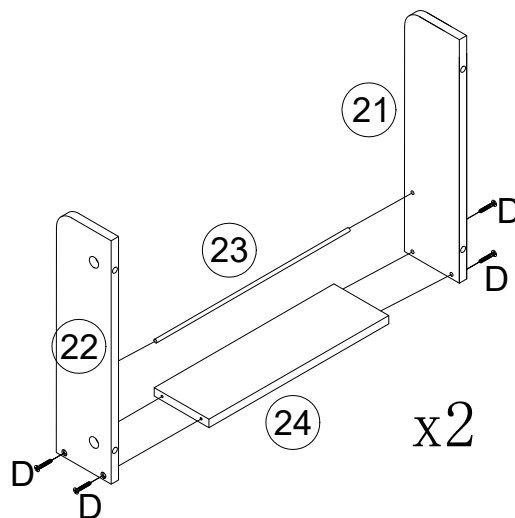
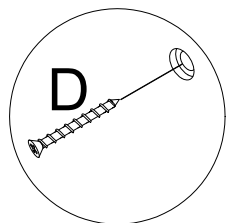
Step 26



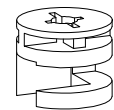
19

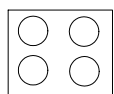
Step 27

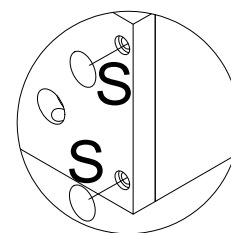
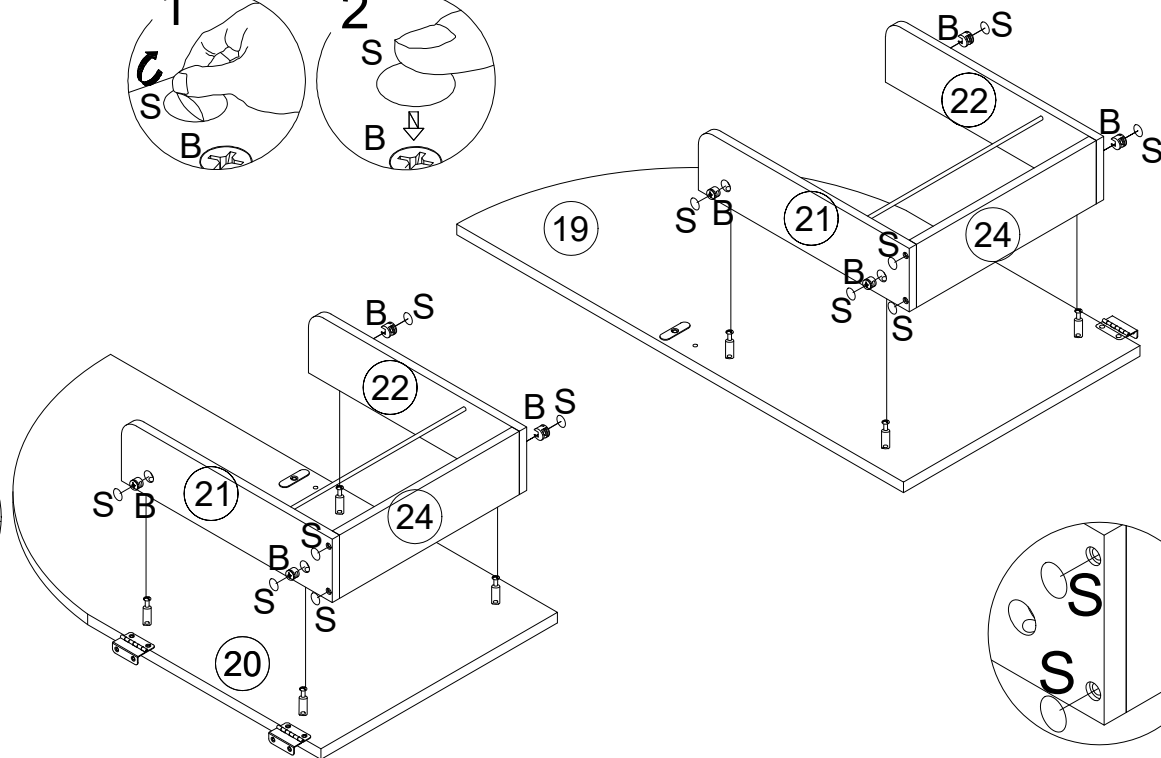
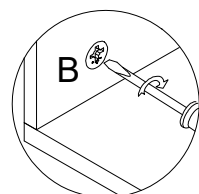
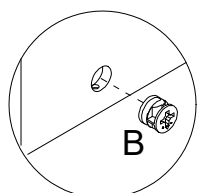
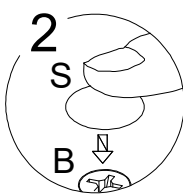
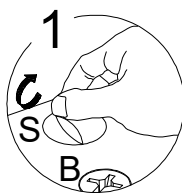
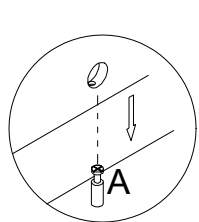
D	×8
	




Step 28


B	×8
	


S	×16
	

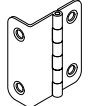


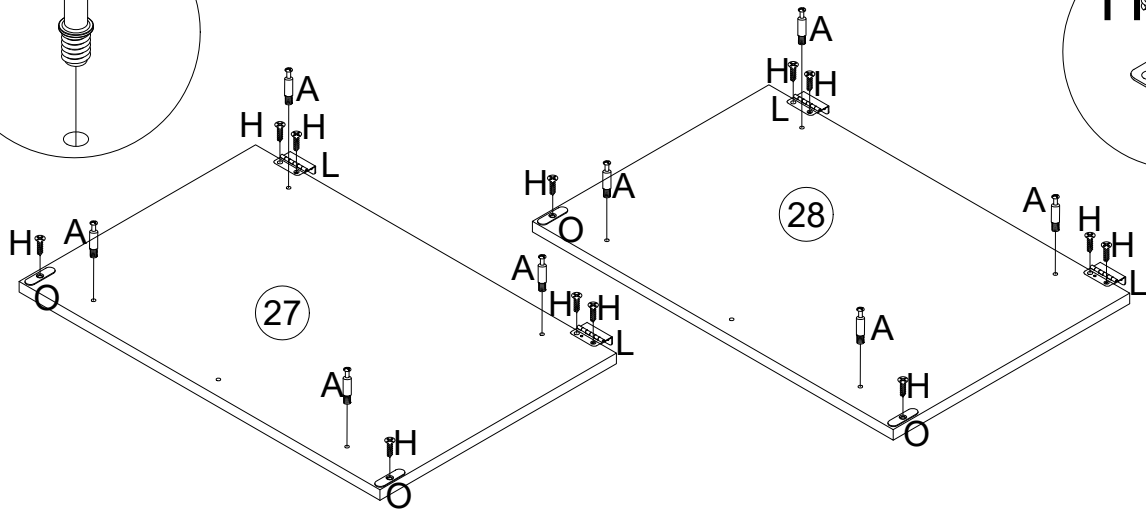
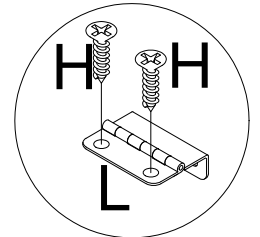
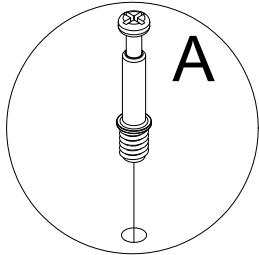
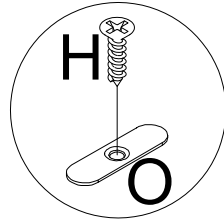
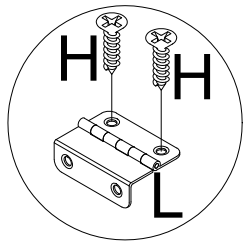
Step 29

A	×8
	

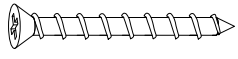
H	×12
	

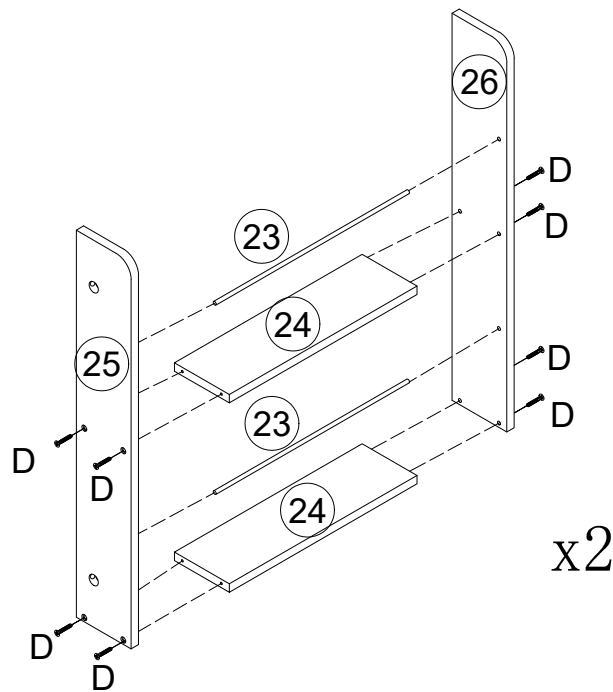
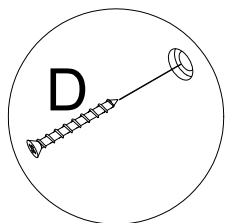
O	×4
	

L	×4
	

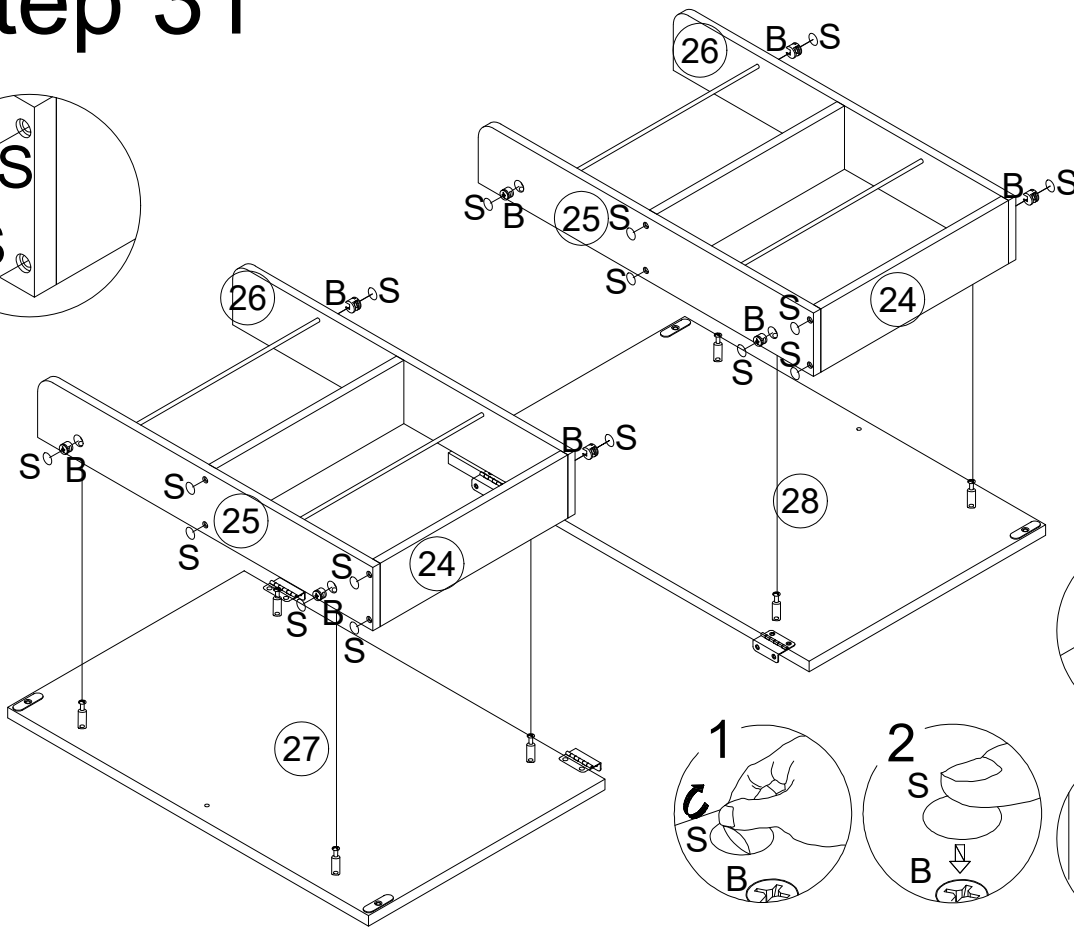
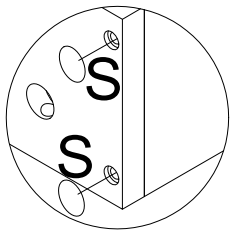


Step 30

D	×16
	

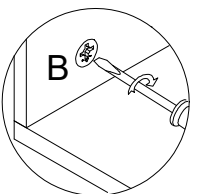
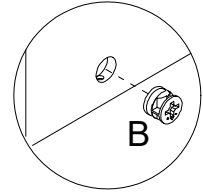
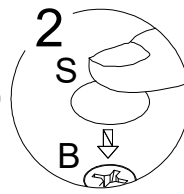
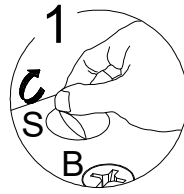
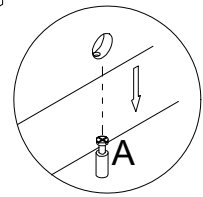


Step 31

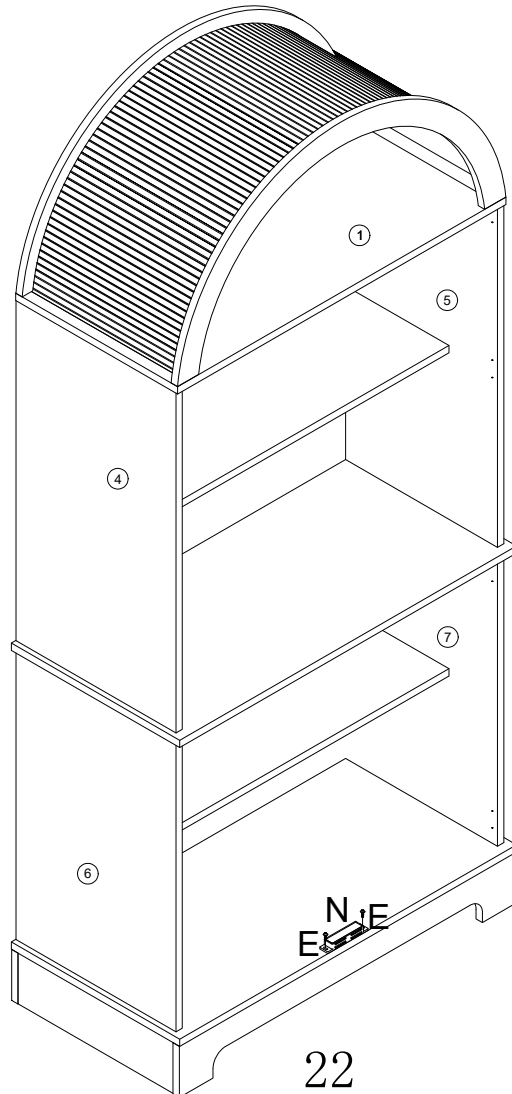


B	×8

S	×24

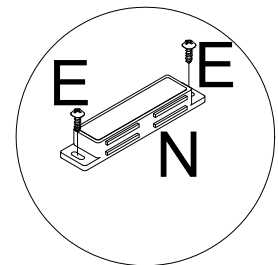


Step 32

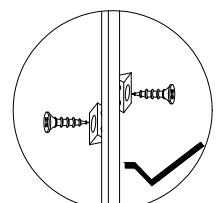
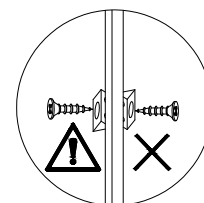
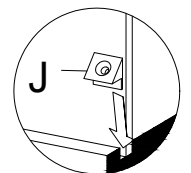
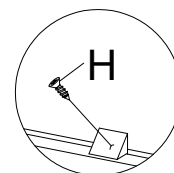
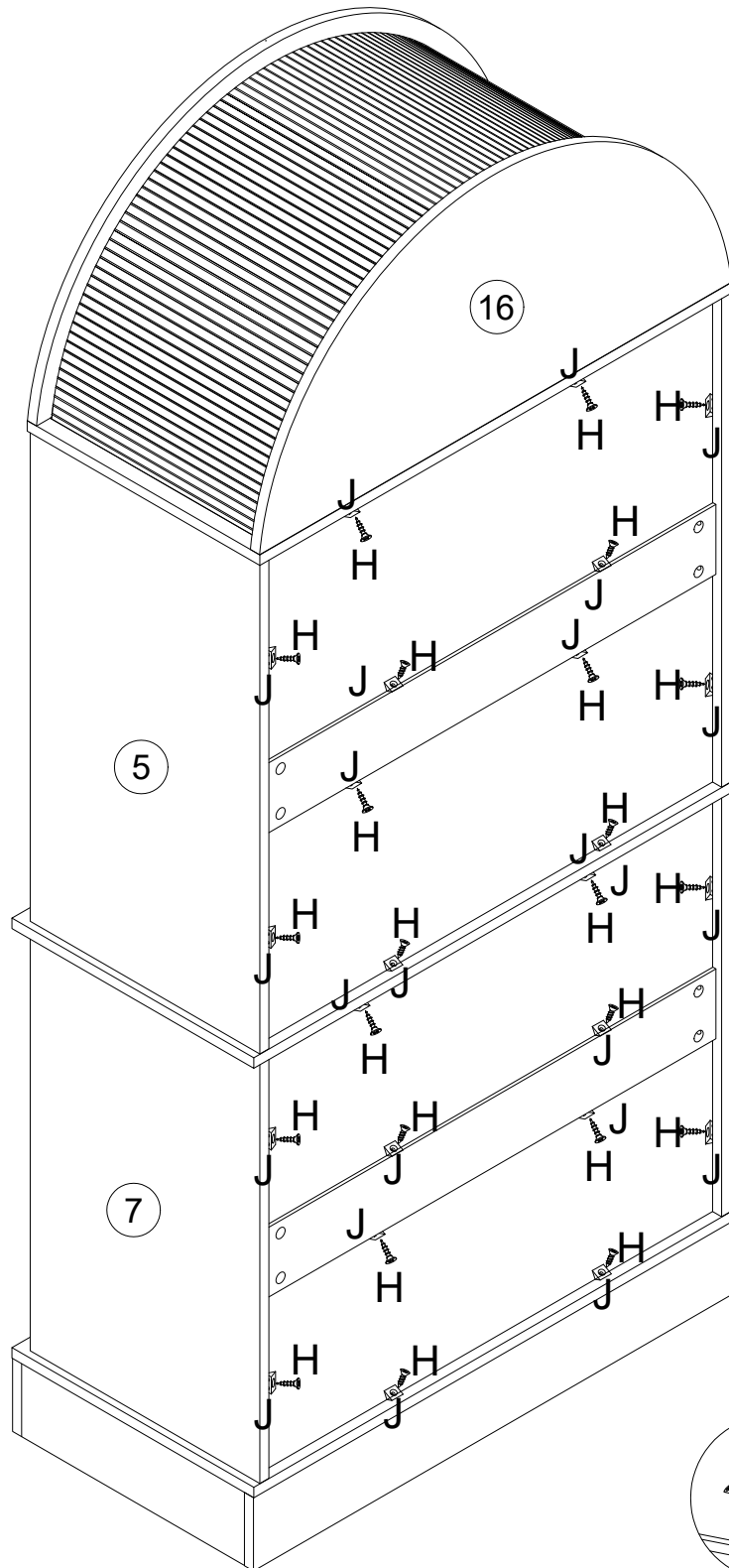
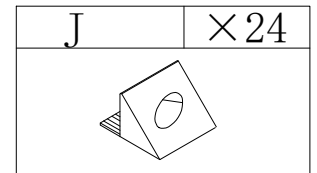
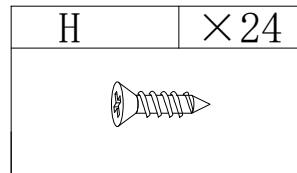


E	×2


N	×1

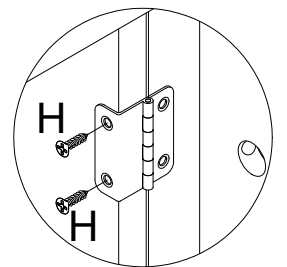
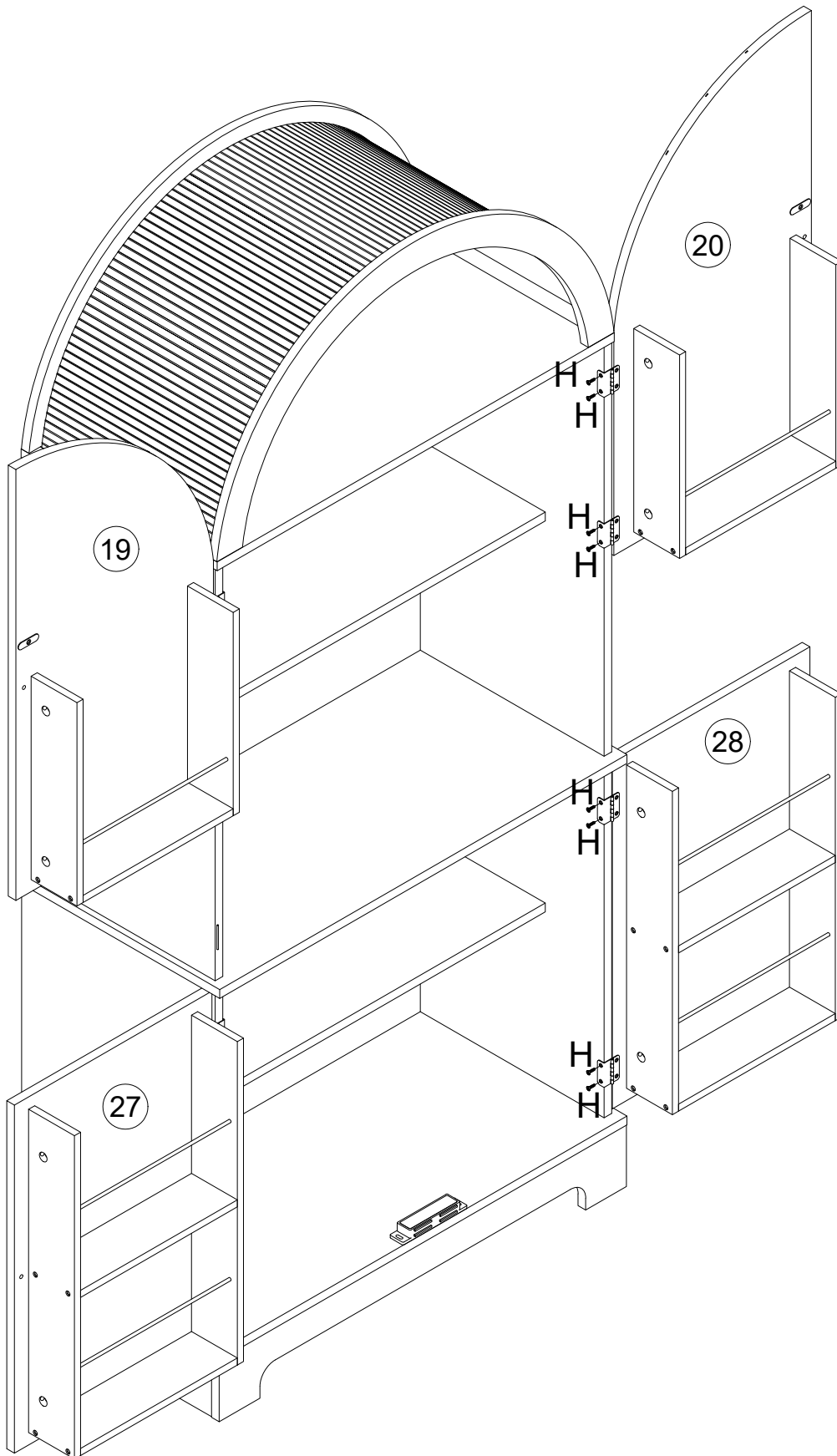


Step 33

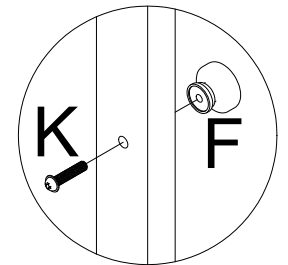
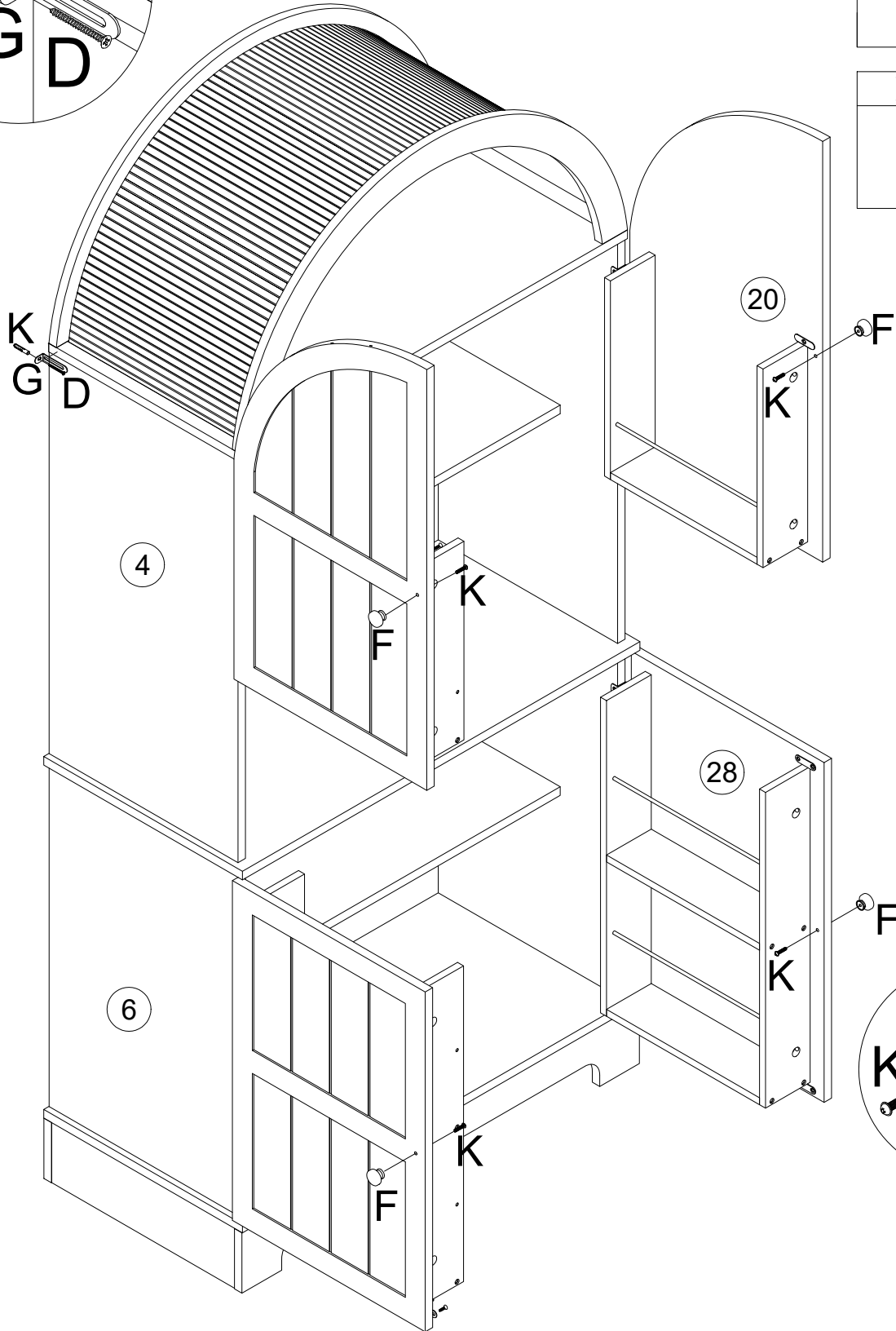
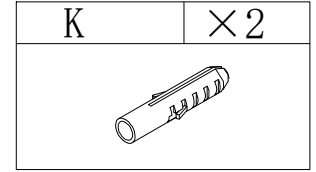
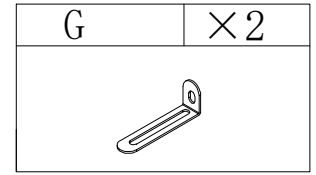
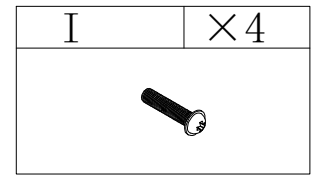
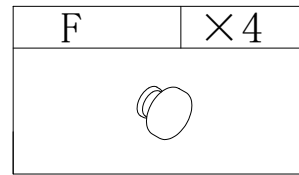
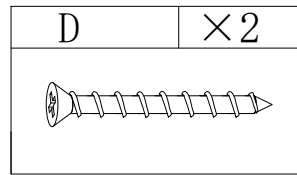
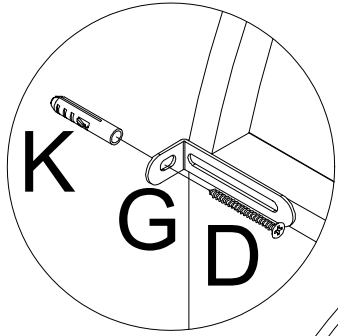


Step 34

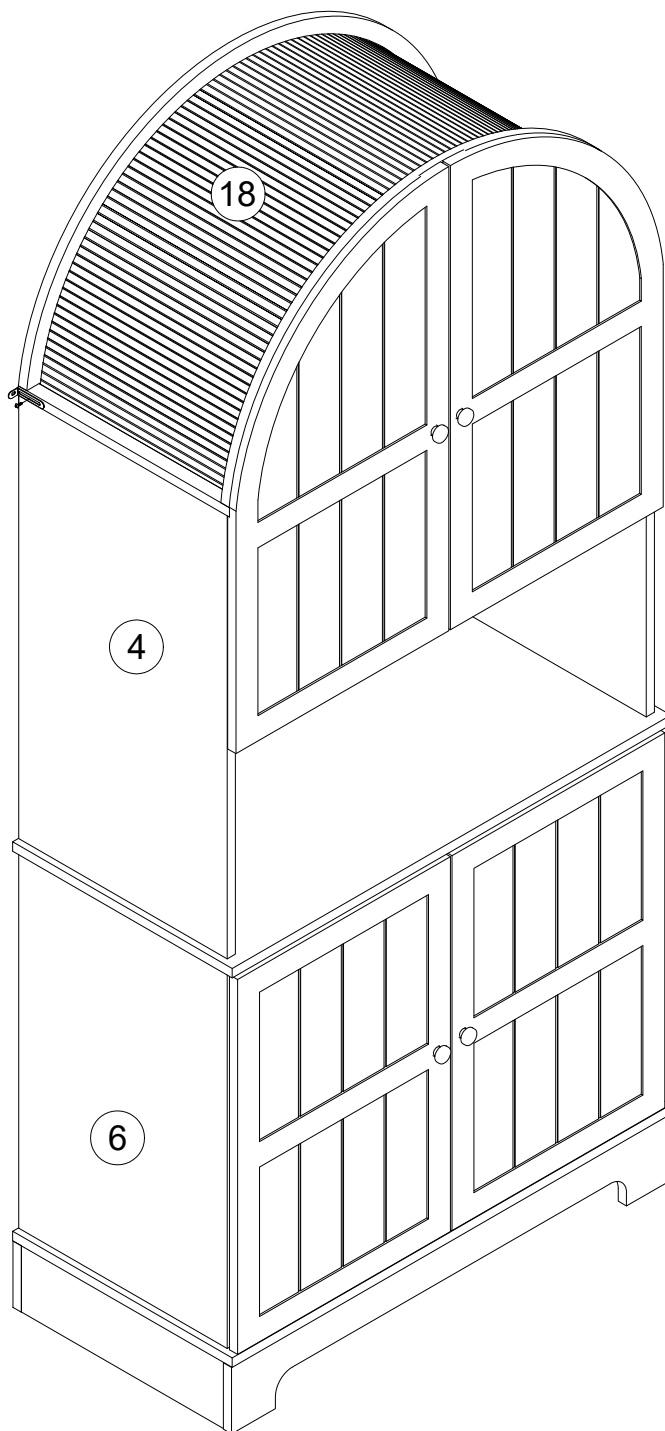
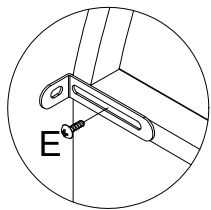
H	×16
	



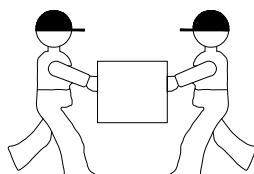
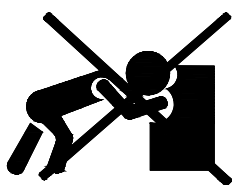
Step 35



Step 36



E	×2



Two people work together to move the table.
Make sure you lift it off the ground.
Don't push and pull.