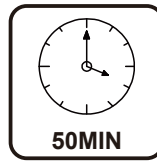
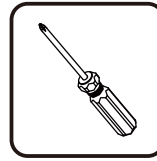
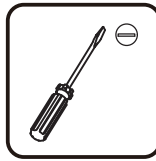
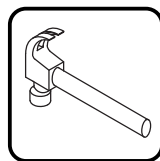
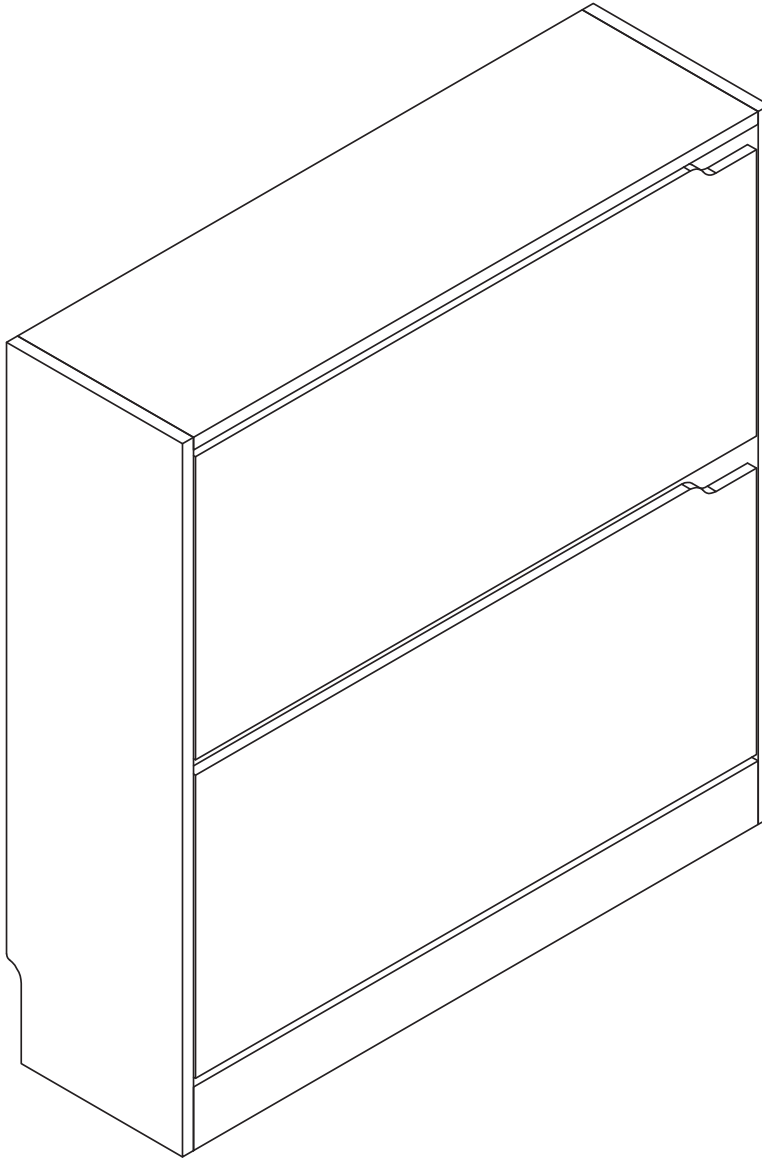
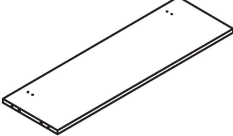
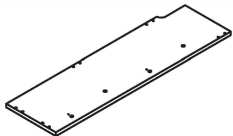
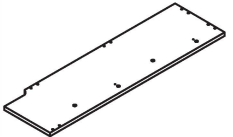
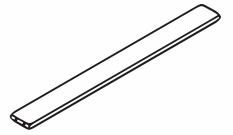
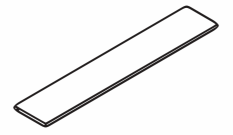
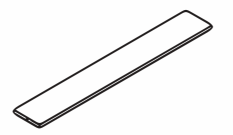
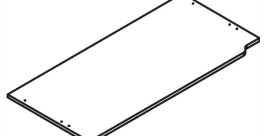



# Installation & Assembly

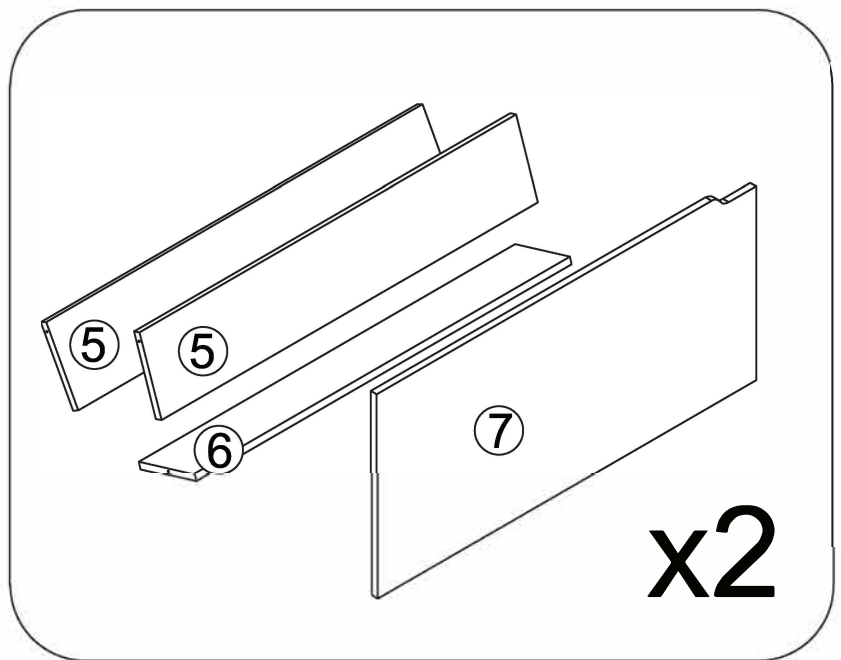
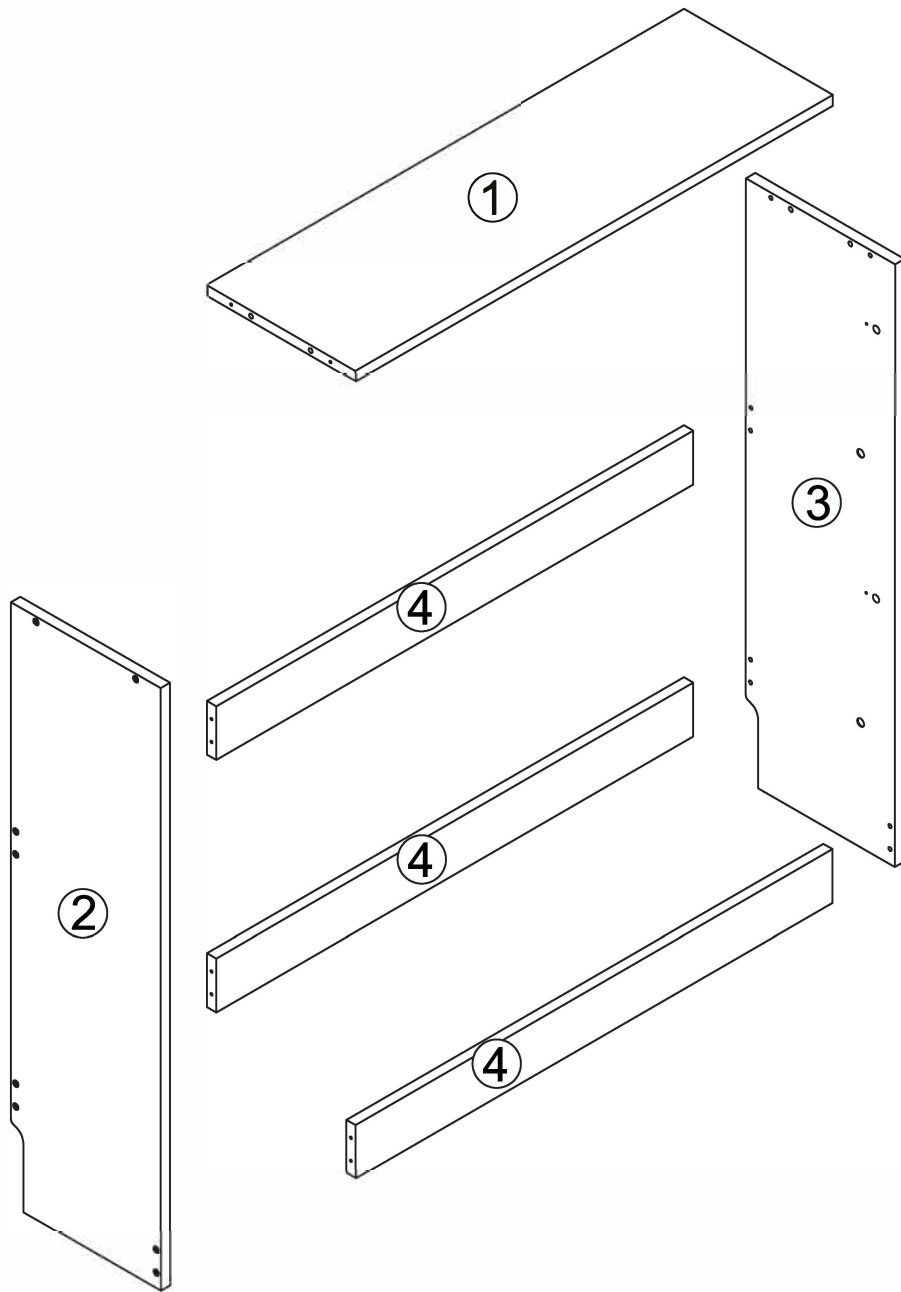
Version: 1.0

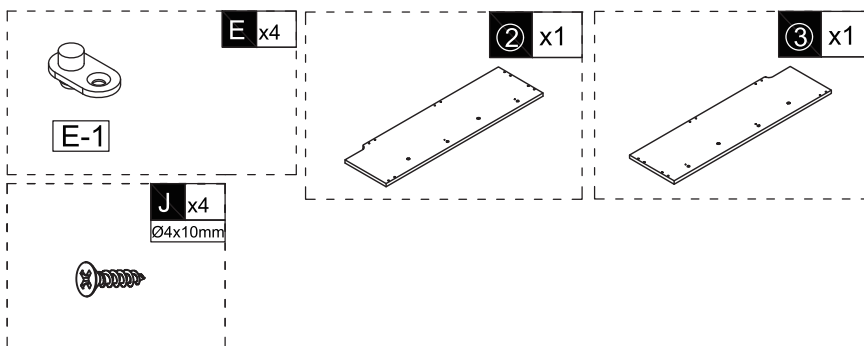
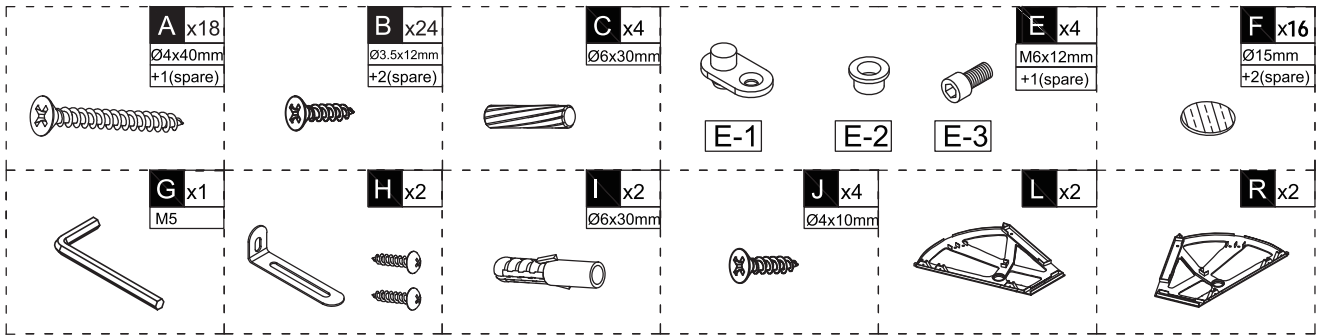


**EN\_IMPORTANT, RETAIN FOR FUTURE REFERENCE: READ CAREFULLY.**

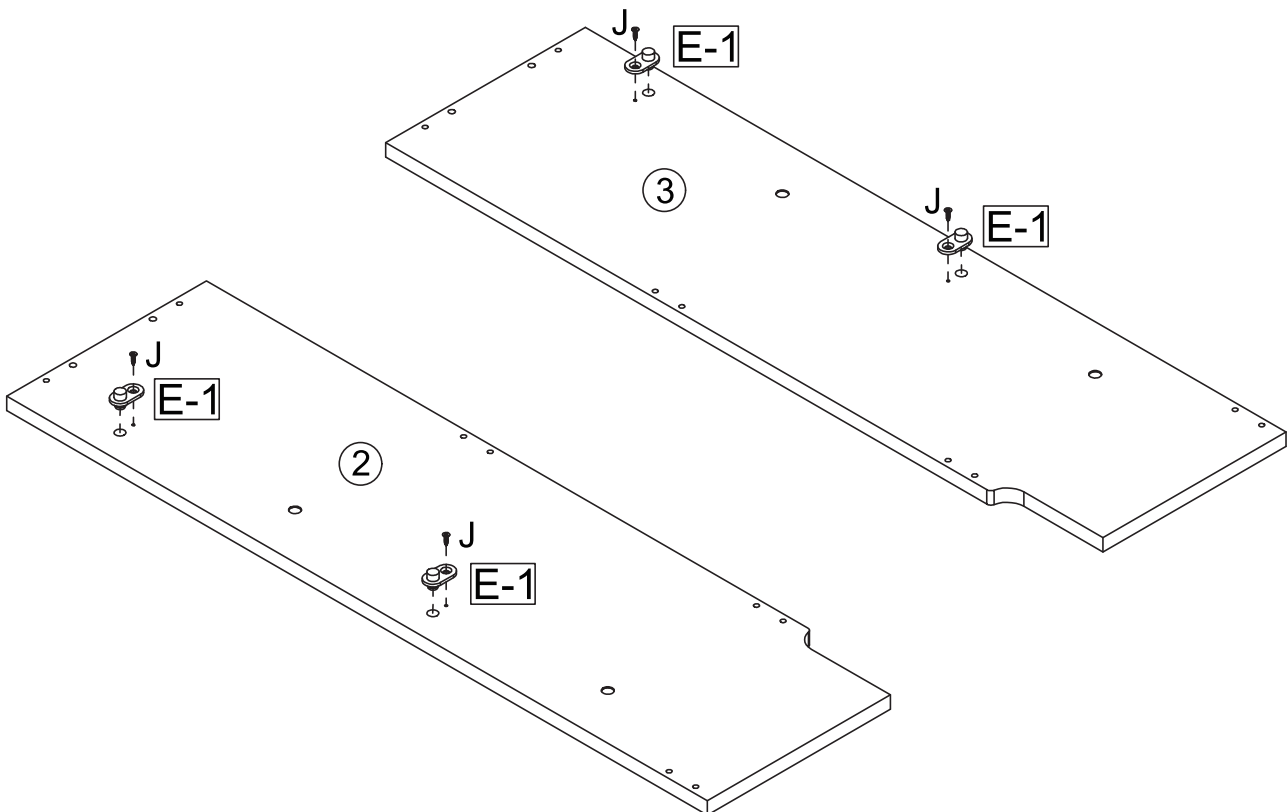
NO.	PARTS	QTY	SPARE
①		x1	
②		x1	
③		x1	
④		x3	
⑤		x4	
⑥		x2	
⑦		x2	
	 Hardware Kit	x1	

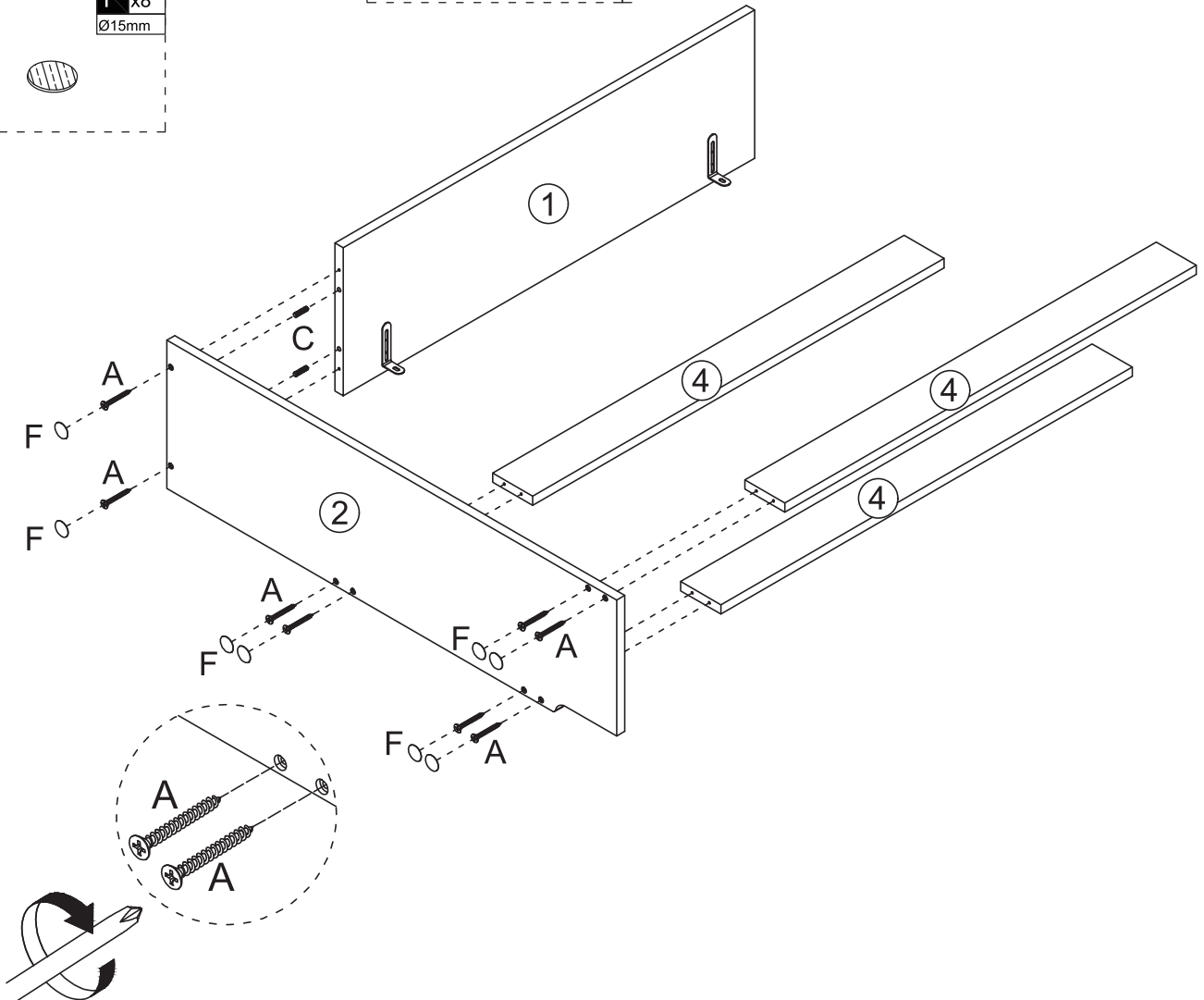
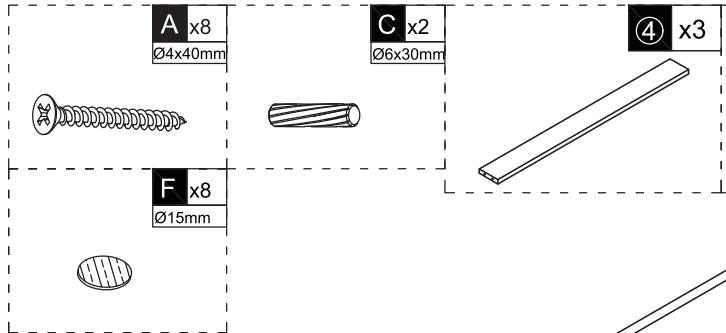
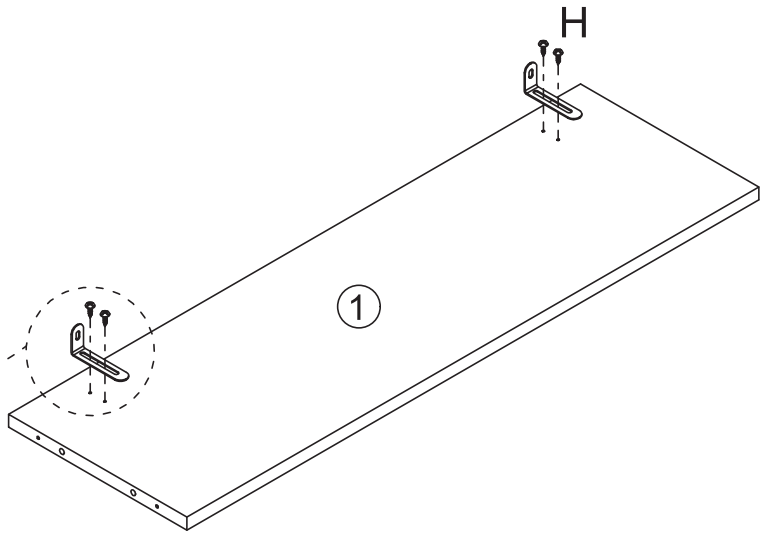
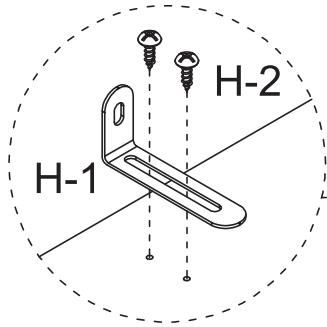
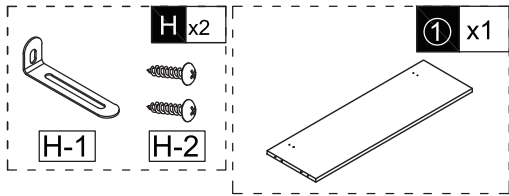
NO.	PARTS	QTY	SPARE

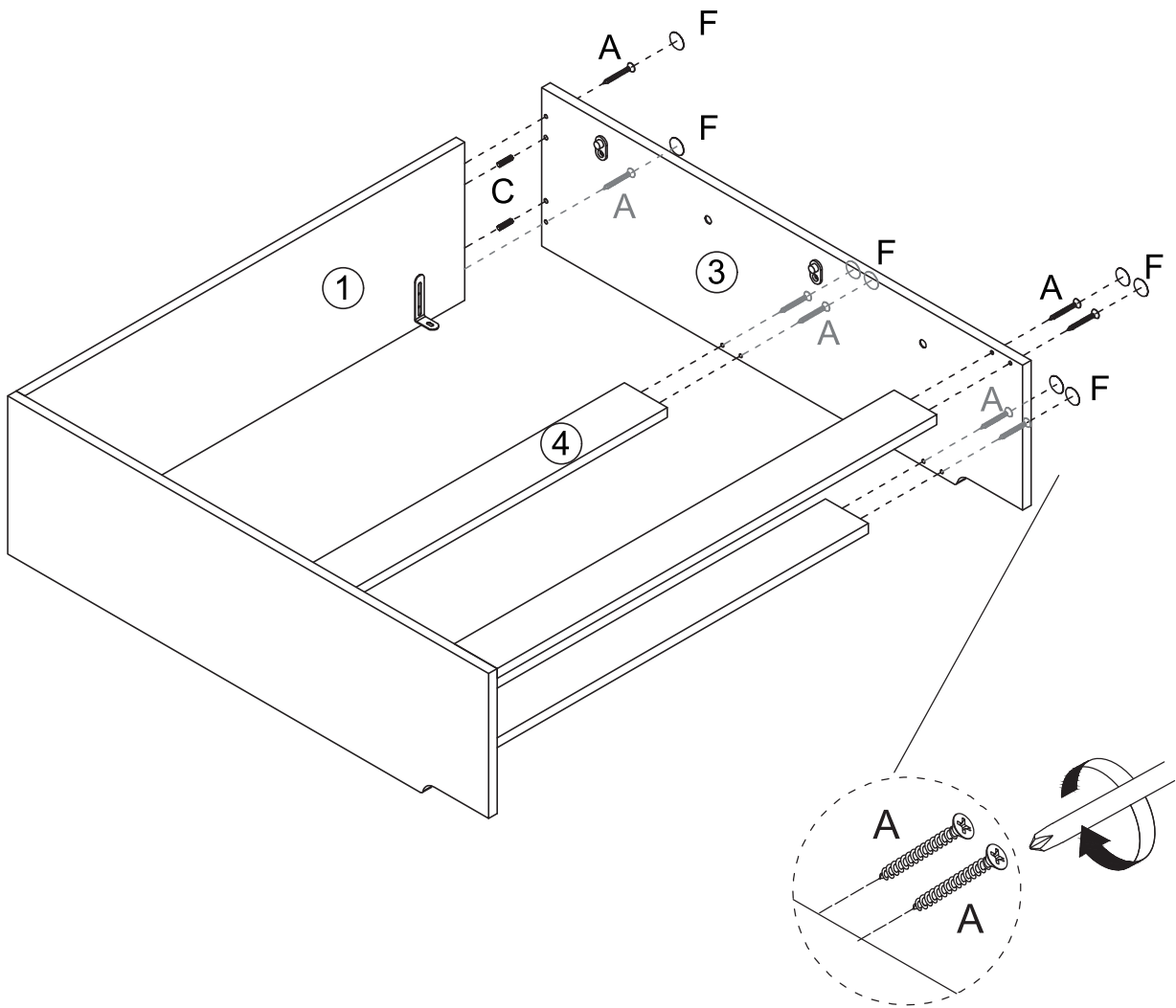
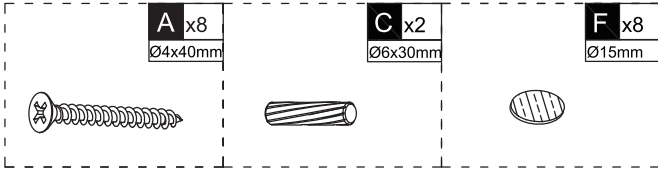




**01**



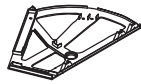
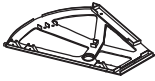




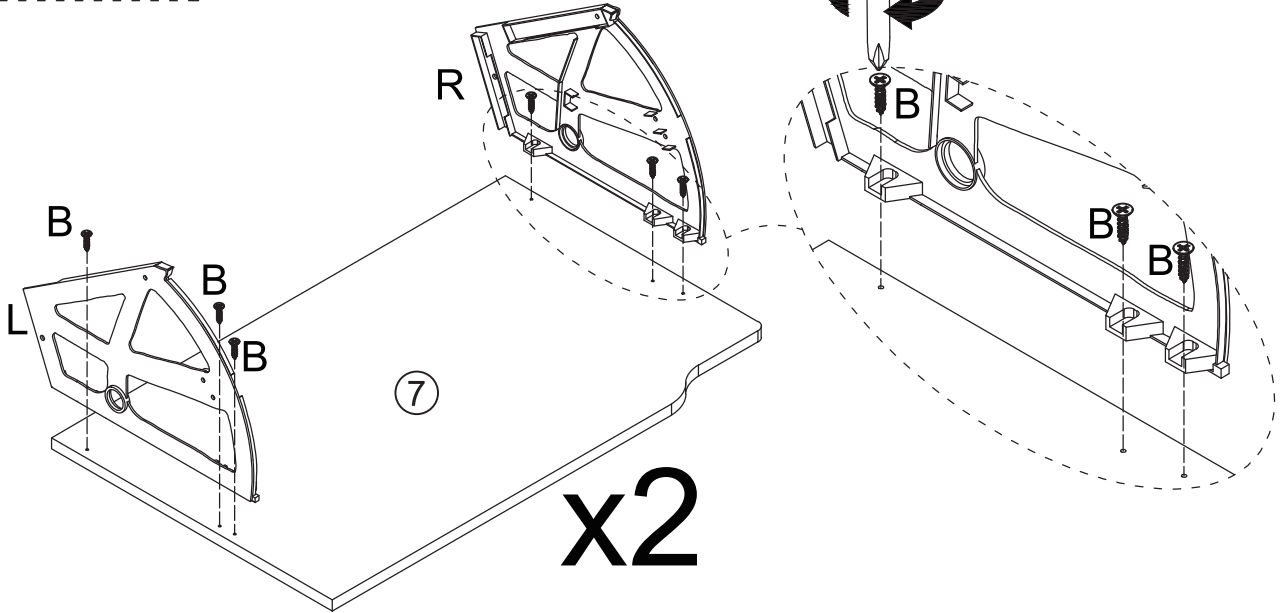
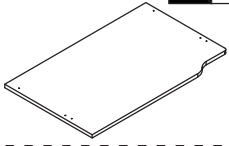
B x12  
Ø3.5x12mm

L x2

R x2

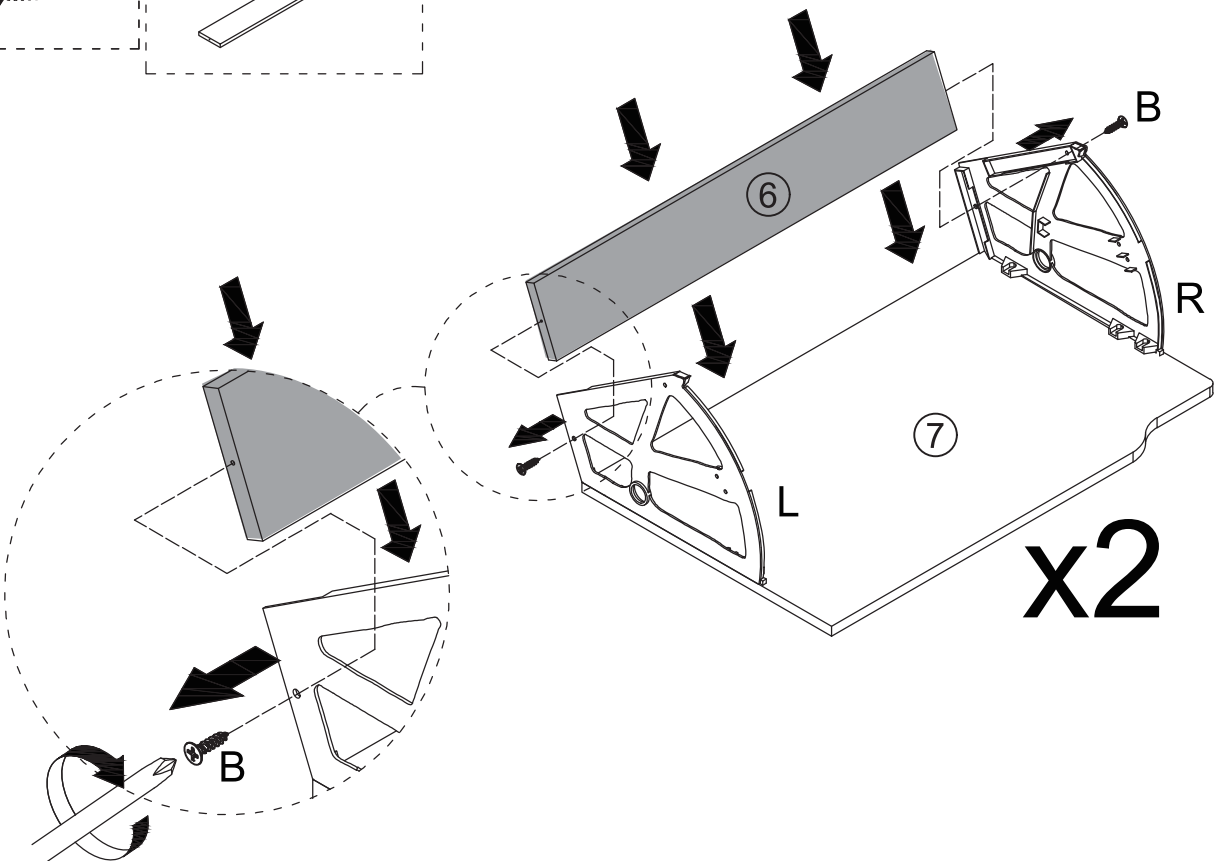
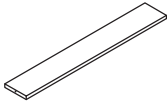


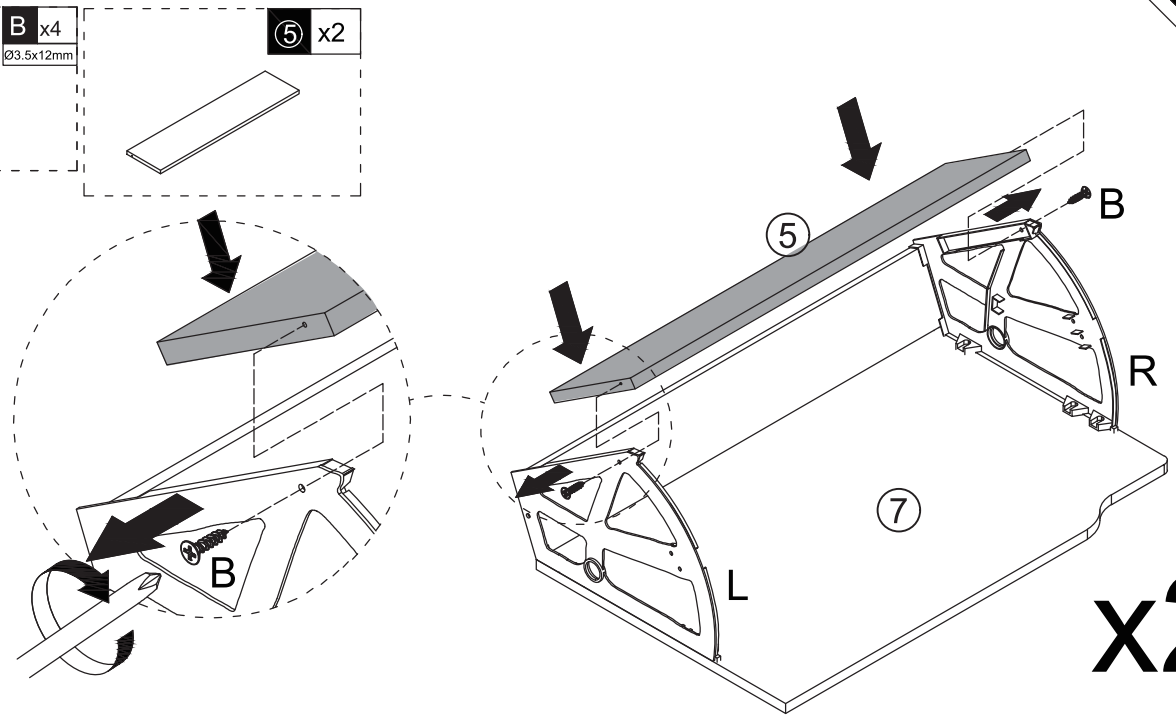
7 x2



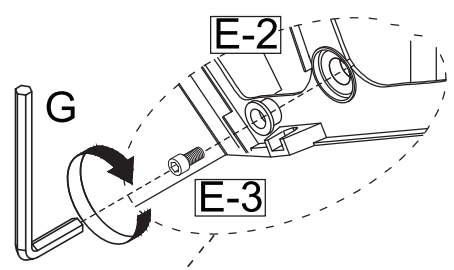
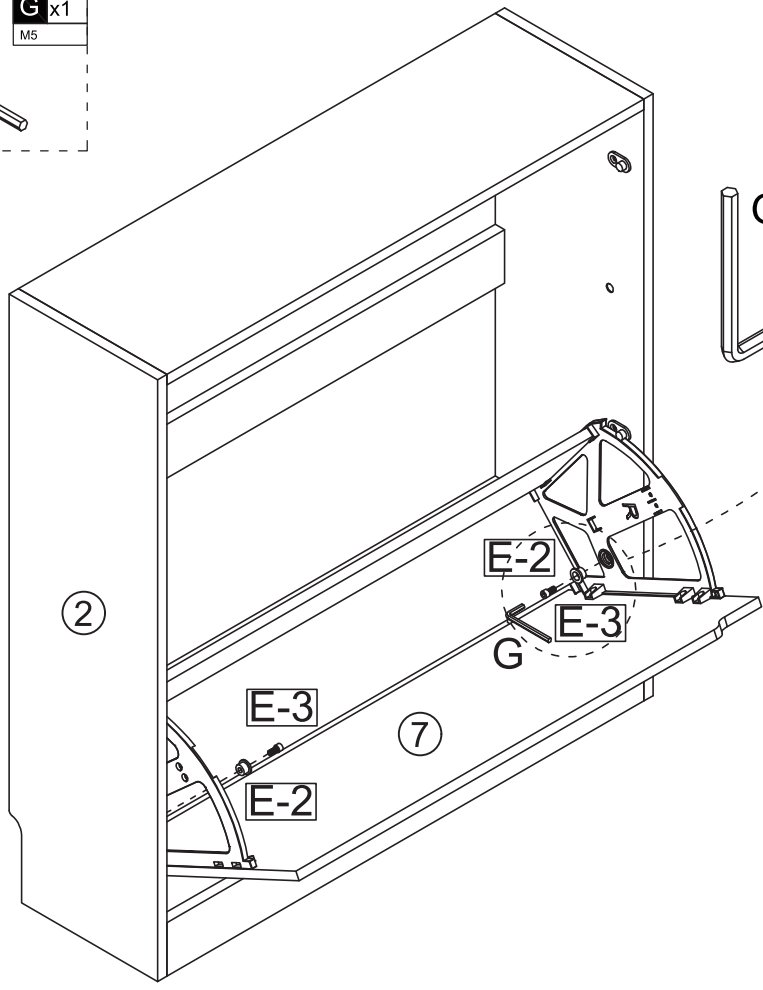
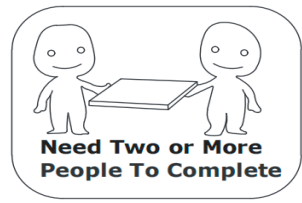
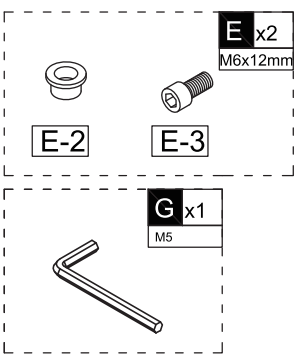
B x4  
Ø3.5x12mm

6 x2





x2

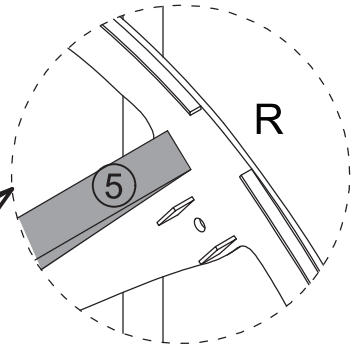
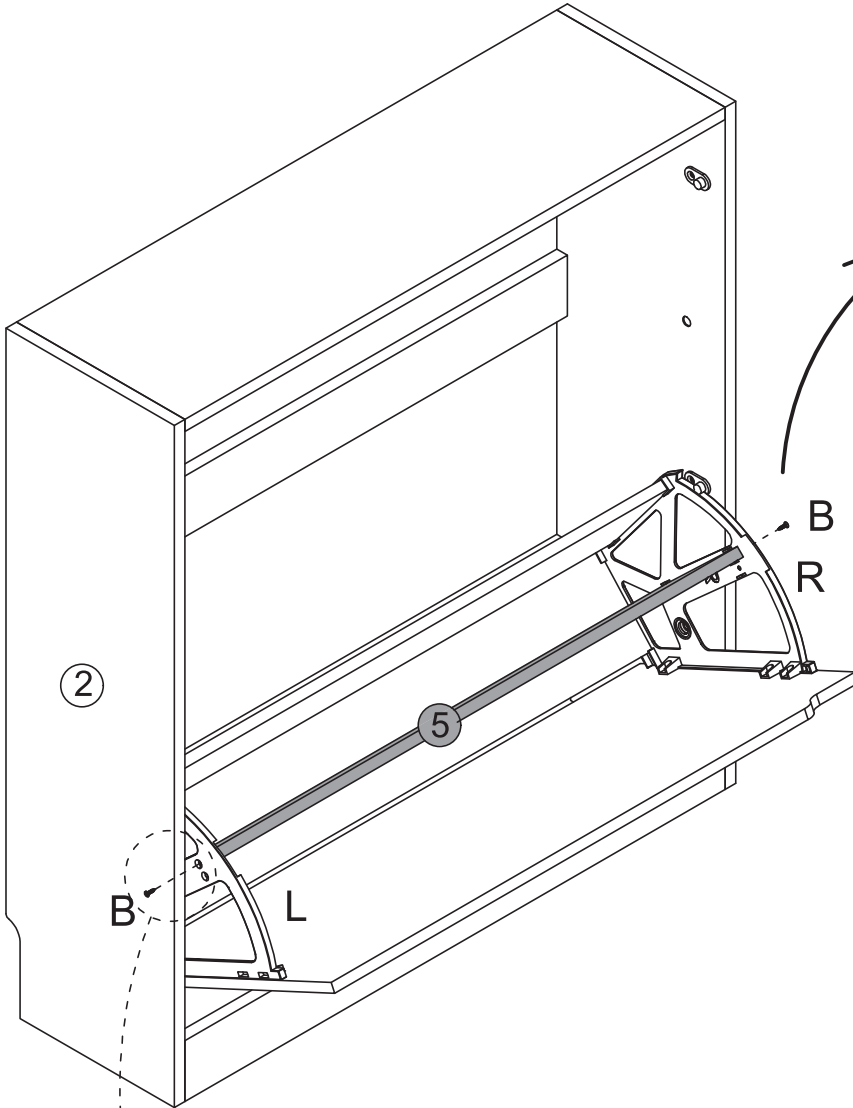
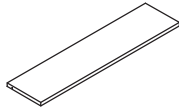


Please do not forcefully lock the installation screws to the maximum limit to avoid damaging the side panel.

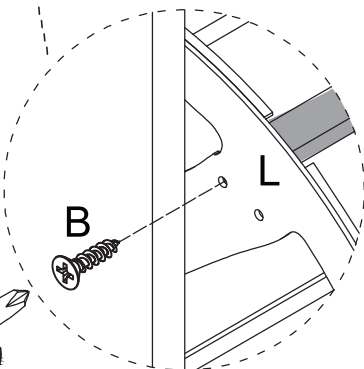
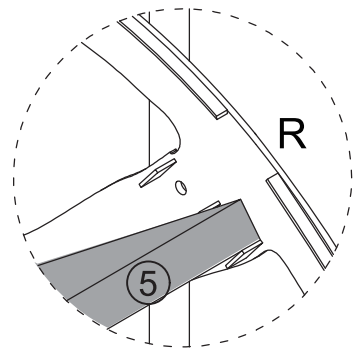


B x2  
Ø3.5x12mm

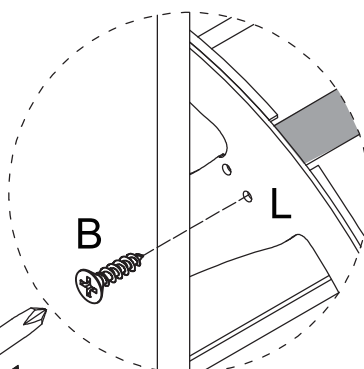
5 x1

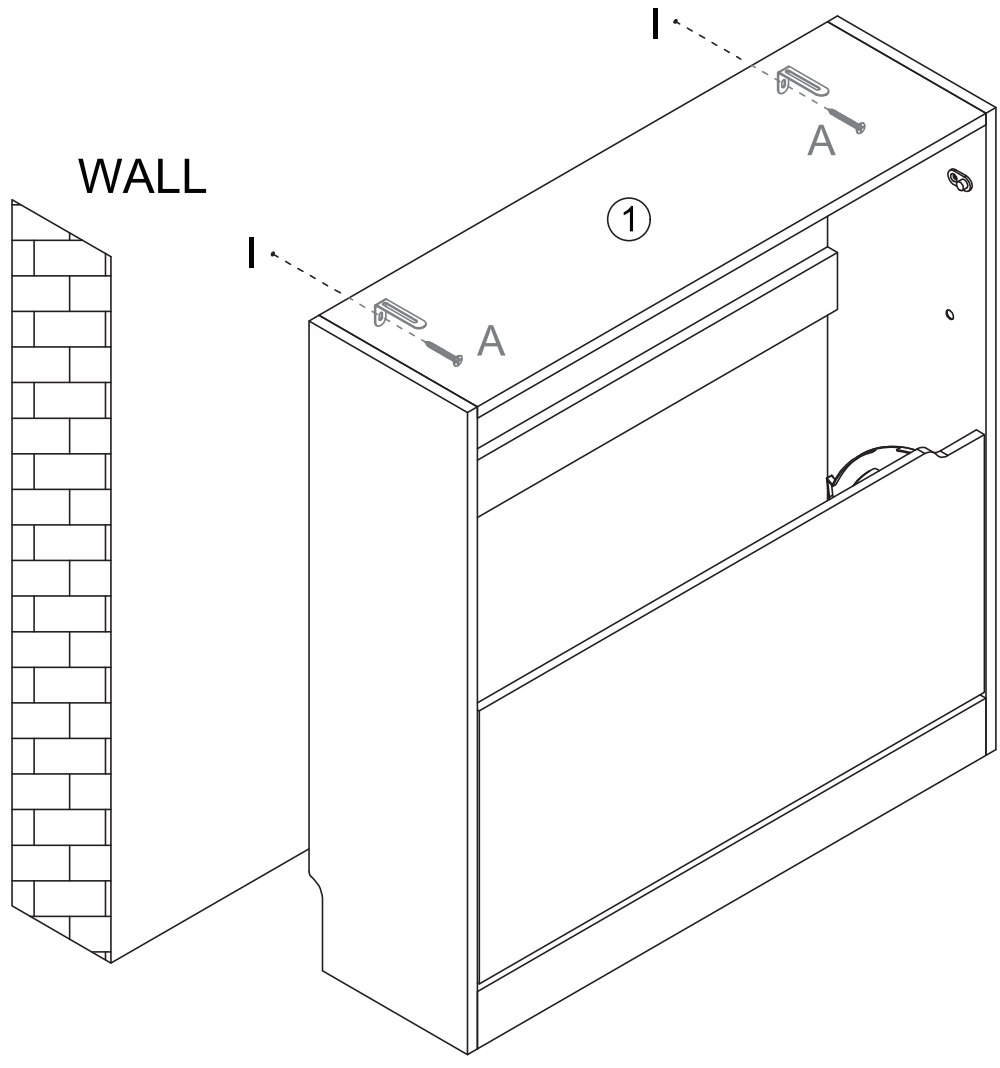
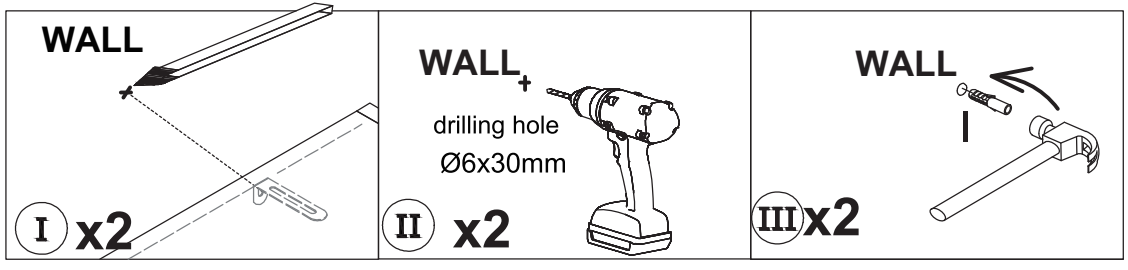
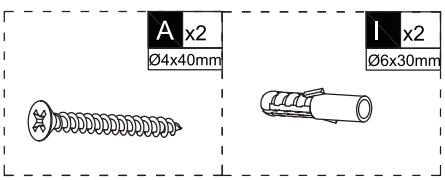


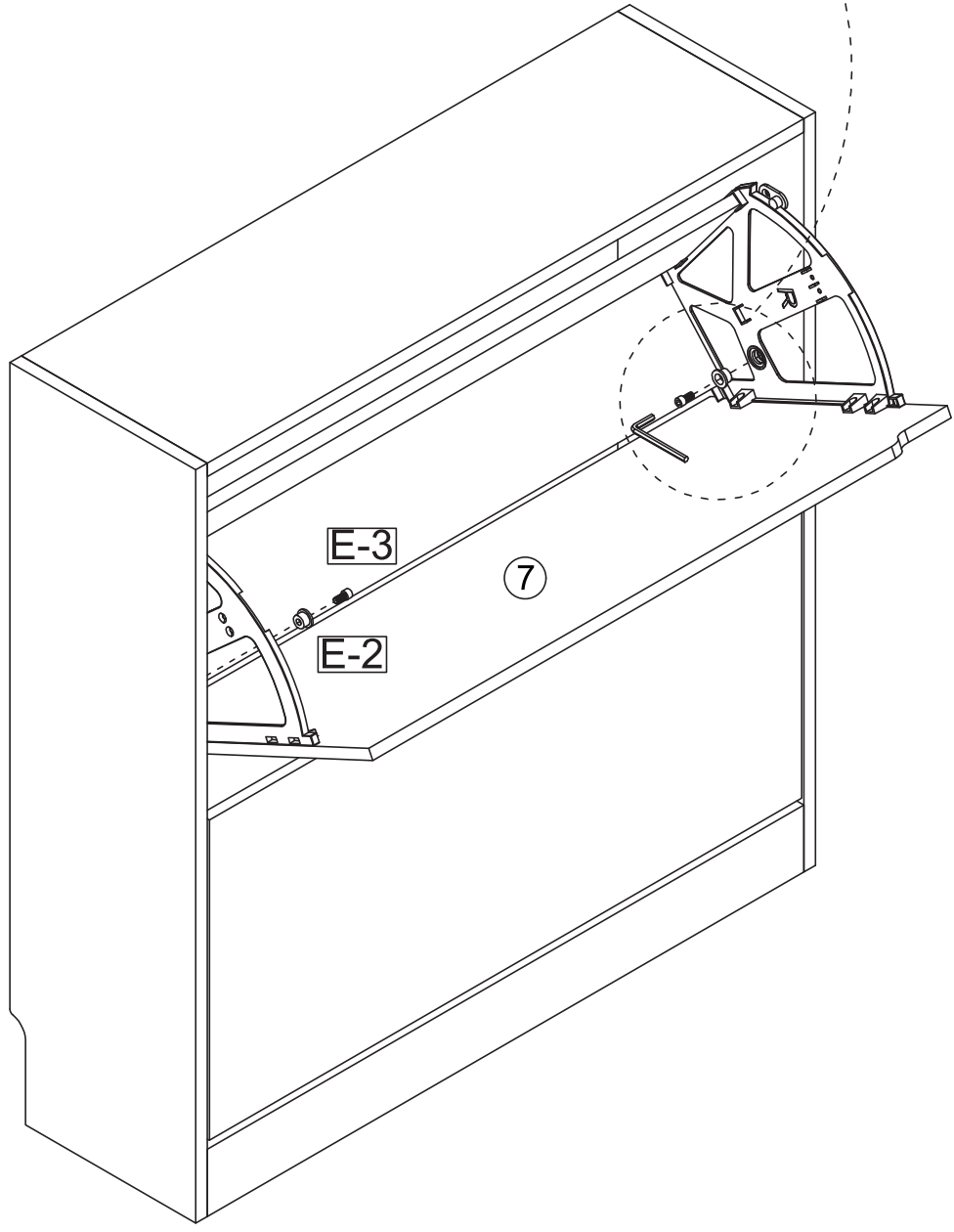
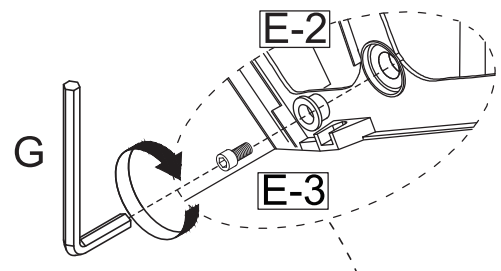
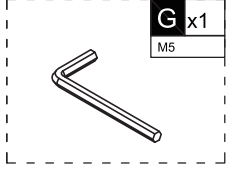
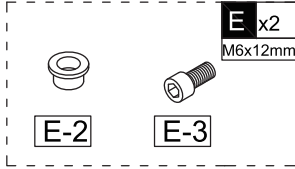
OR



OR

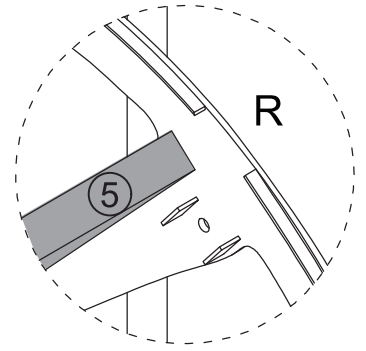
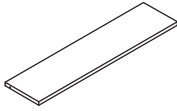




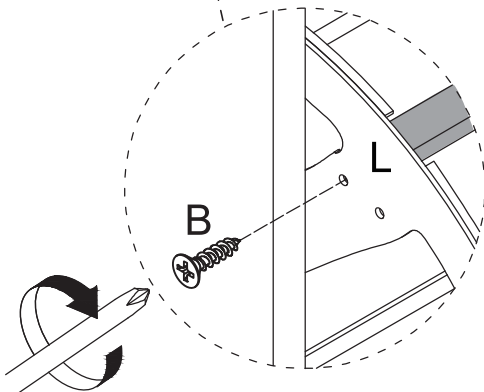
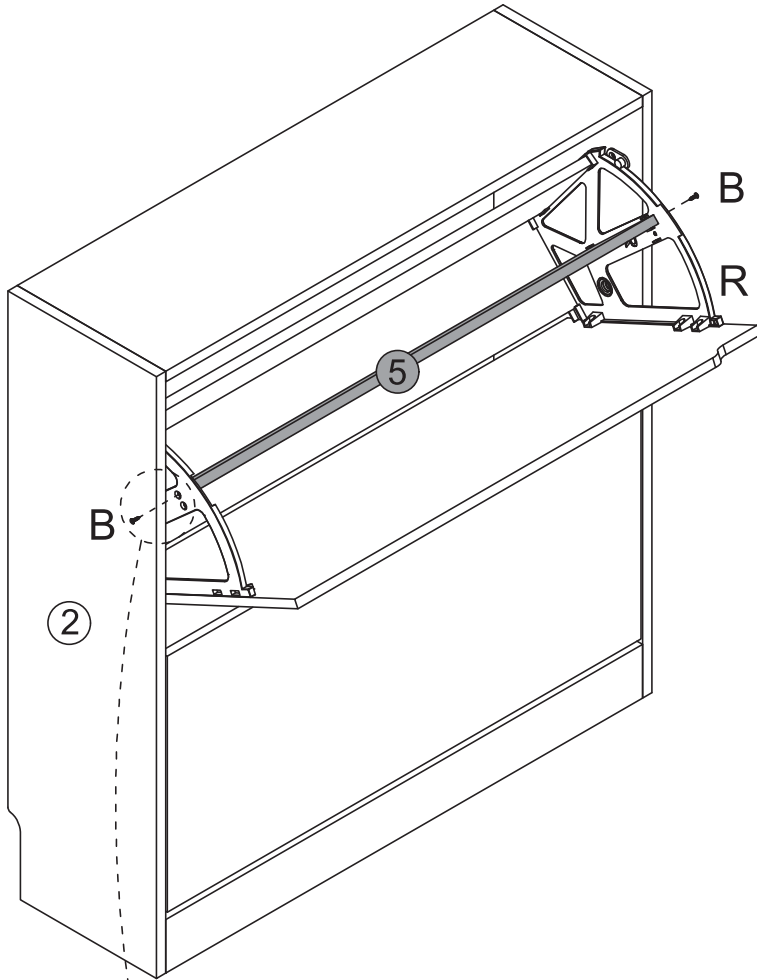
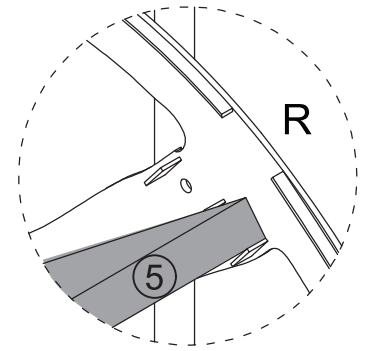


B x2  
Ø3.5x12mm

5 x1



OR



OR

