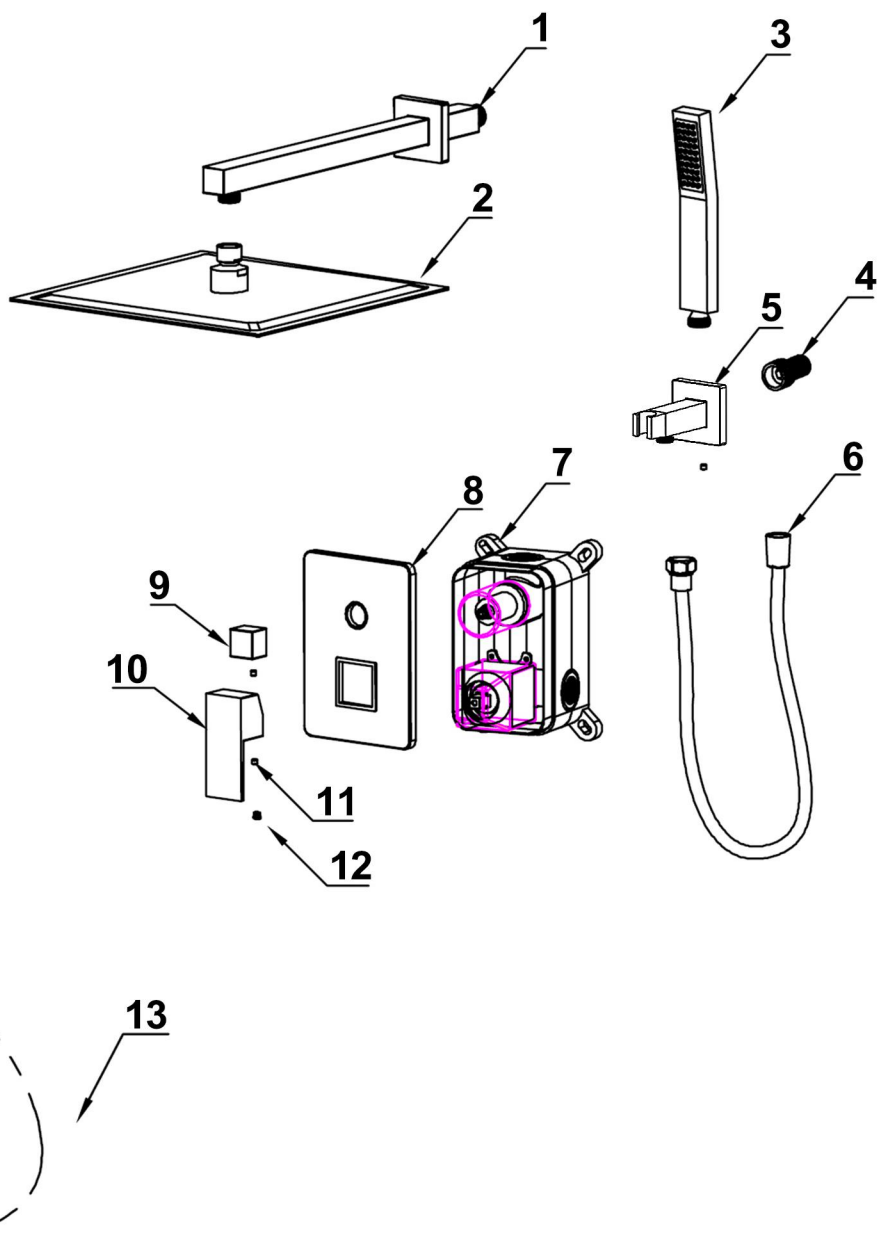


User's Manual



BEFORE INSTALLATION

NO.	Item	Qty
1	Shower arm	1
2	Shower head	1
3	Hand shower	1
4	Hand shower bracket connection	1
5	Hand shower bracket	1
6	Shower hose	1
7	Valve body (With embedded box)	1
8	Deck plate	1
9	Diverter	1
10	Handle	1
11	Hexagon socket screw	3
12	Decorative button	1
13	Accessory bag	1



Check accessories

Standard List of Accessories:

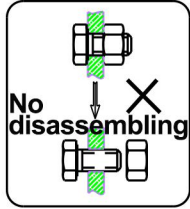
When you open the product packaging, please check whether the objects in it are consistent with the main body and accessories you purchased. If there is any inconsistency, please contact our company or our distributor.

Note: 1. Accessories are subject to change without prior notice if the change does not affect usage;

2. The appearance of the product is subject to the physical objects you receive, and the schematic diagram is only for reference.

BEFORE INSTALLATION

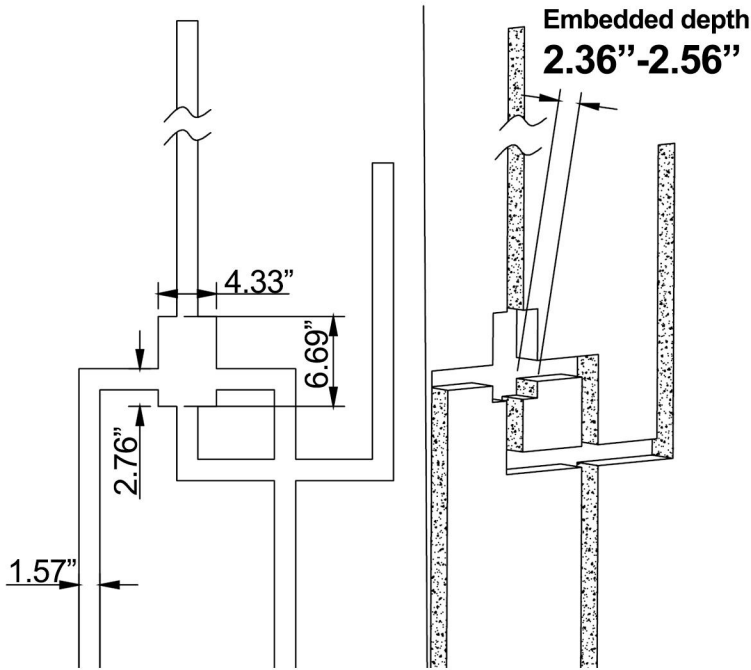
This product has been inspected and debugged by the factory to the best condition. Please do not disassemble and assemble it yourself.



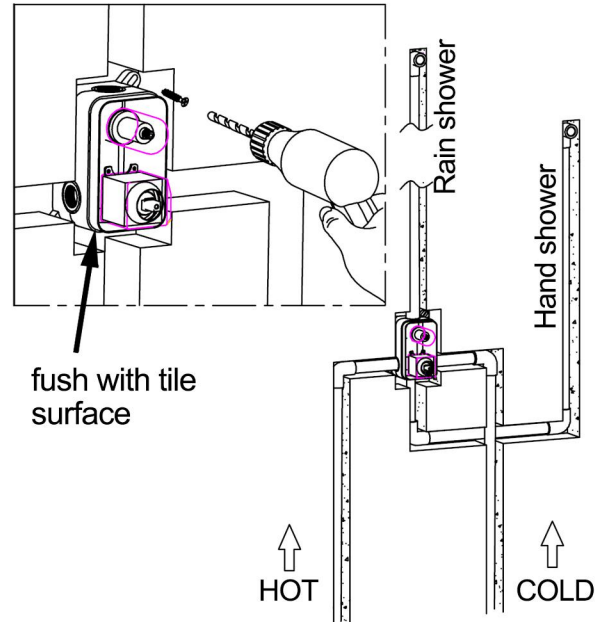
Before installing the product, please be sure to remove sundries and sludge from the water pipe to prevent sundries from blocking the product.



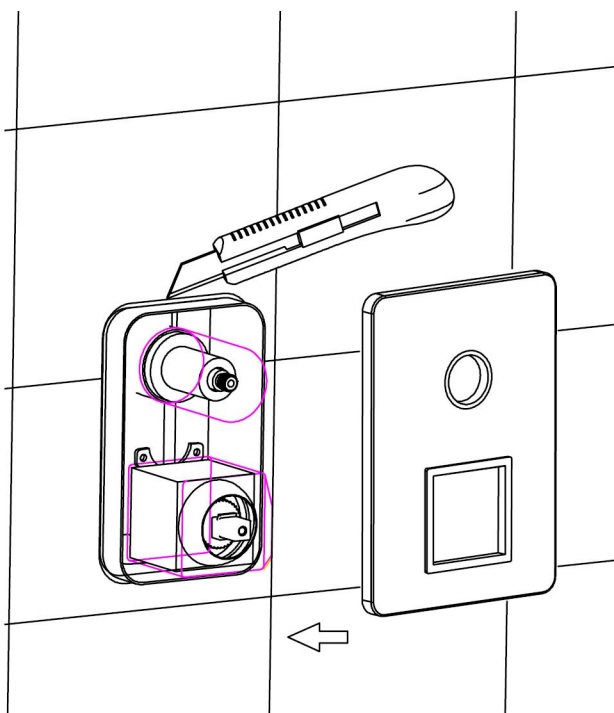
1. Dig pipe grooves for pre-burying pipes.



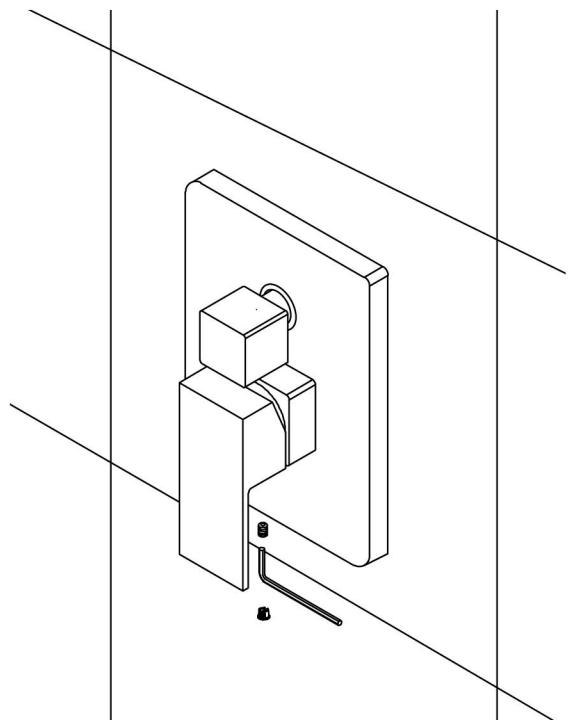
2. install main body inlet and outlet pipes.



3. Fix ceramic tiles, cut off the edges of the embedded box, remove the protective cover and install the panel.

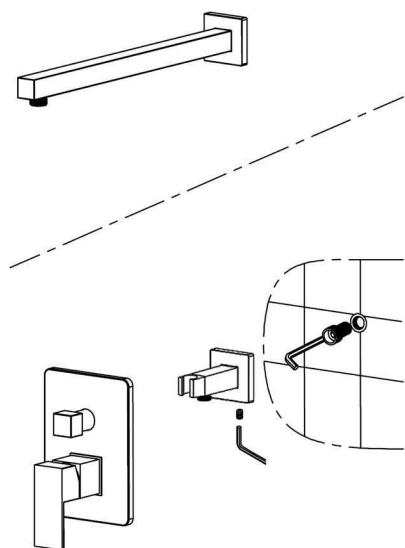


4. Install diverter and handle.

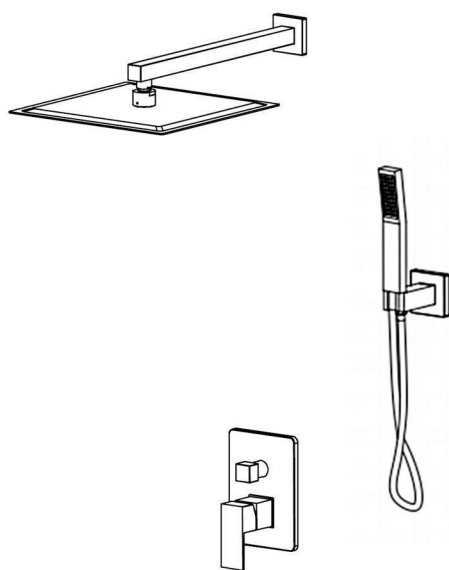


INSTALLATION STEPS

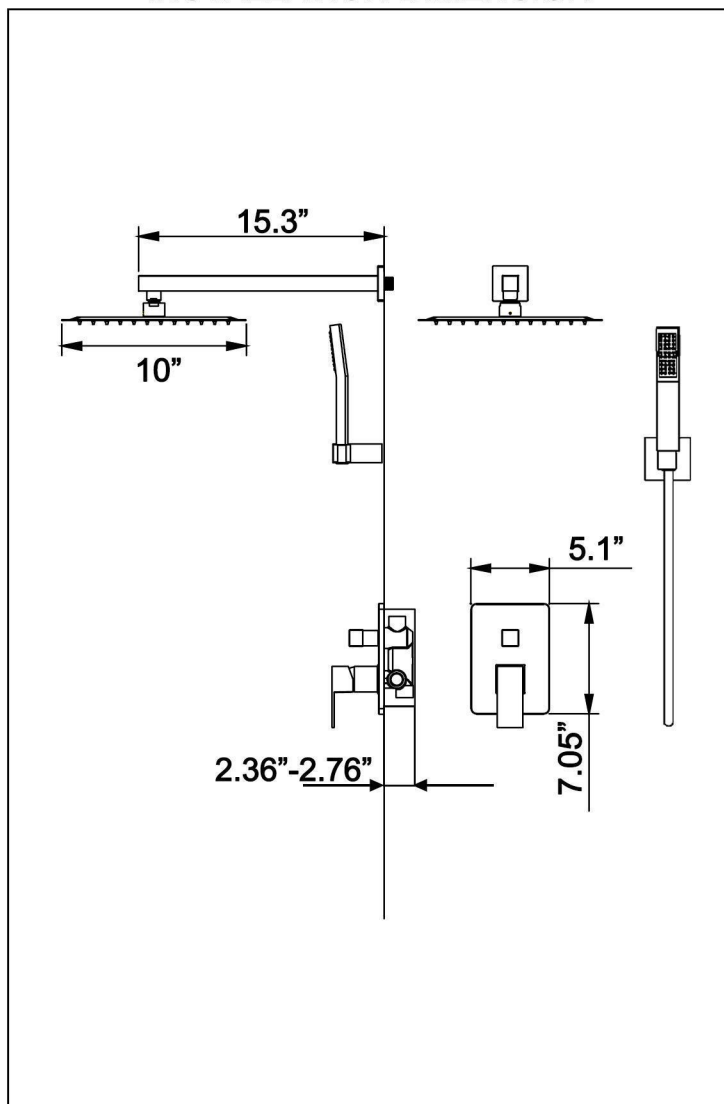
5. Install upper outlet pipe and hand-held shower bracket.
(wrap the PTFE tape on the thread)



6. Install the rain shower head and hand-held shower head.



INSTALLATION DIMENSION



CLEANING CARE

In order to keep the appearance of product clean, bright and good performance, please take care of the product as follows;

1. Rinse with water only and dry with soft cotton cloth;
2. Use mild liquid and colorless glass cleaner to remove surface dirt and scale film, or use polish without abrasive effect;
3. Do not use abrasive detergent, polish, emery cloth, paper towel or scraper, etc;
4. Do not use acid cleaner, or cleaner and soap with insoluble gran etc;
5. In the process of use, mud may accumulate in the bubbler and make the water flow show, The bubbler can be unscrewed, rinsed with water, and then installed back in place.



