
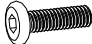


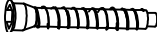




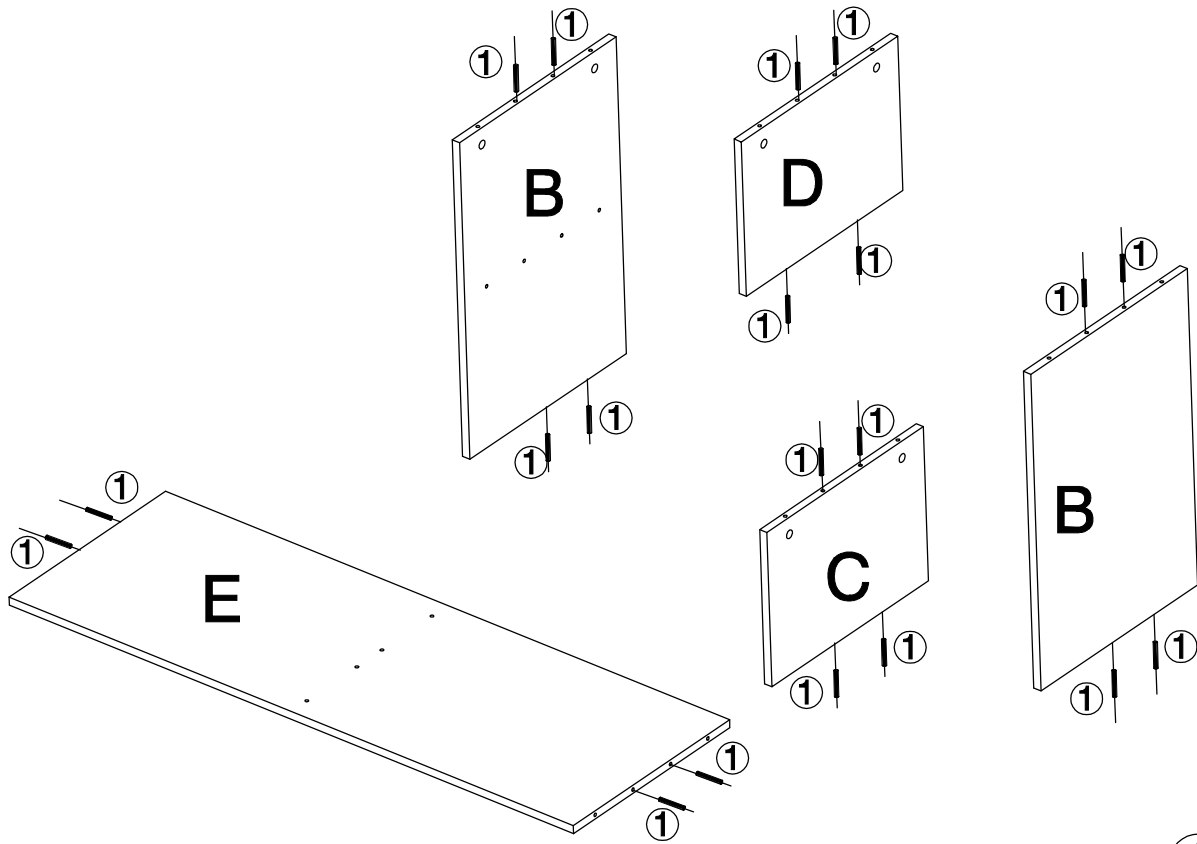


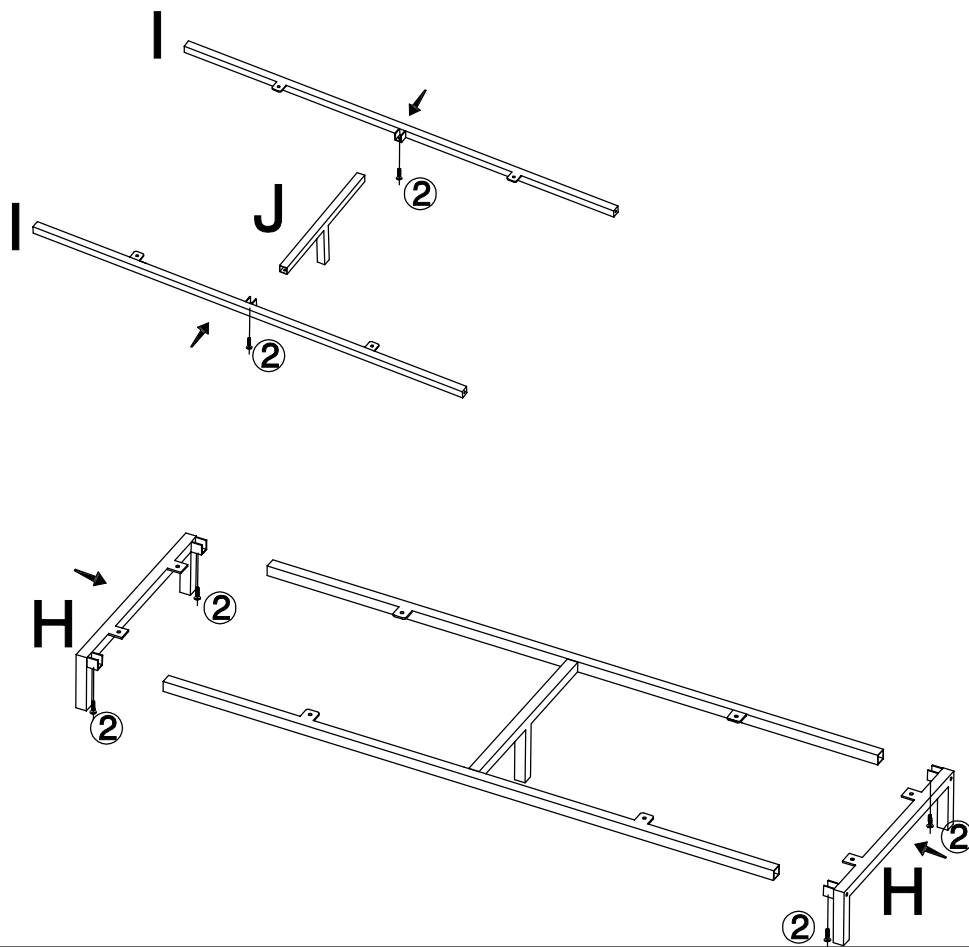
| | |
|---|--|
| <p>1</p>  <p>x20</p> | <p>2</p>  <p>M6X12X6</p> |
| <p>3</p>  <p>x12</p> | <p>4</p>  <p>x12</p> |
| <p>5</p>  <p>M7X50X8</p> | <p>6</p>  <p>M4X14X12</p> |
| <p>7</p>  <p>x5</p> | <p>8</p>  <p>x26</p> |
| <p>9</p>  <p>x4</p> | |

1



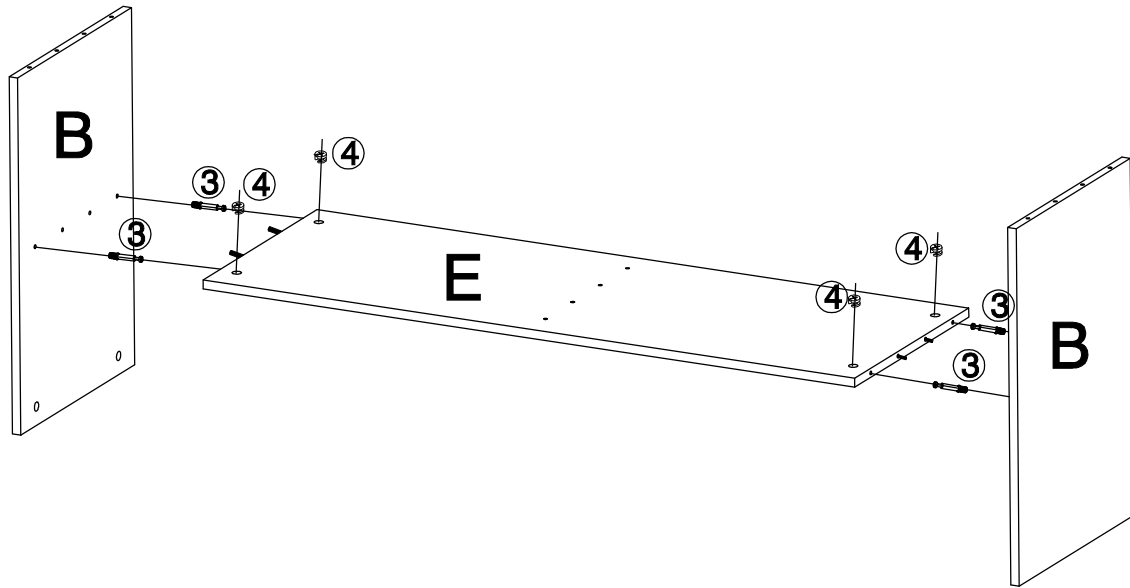
① x20

2



② x6

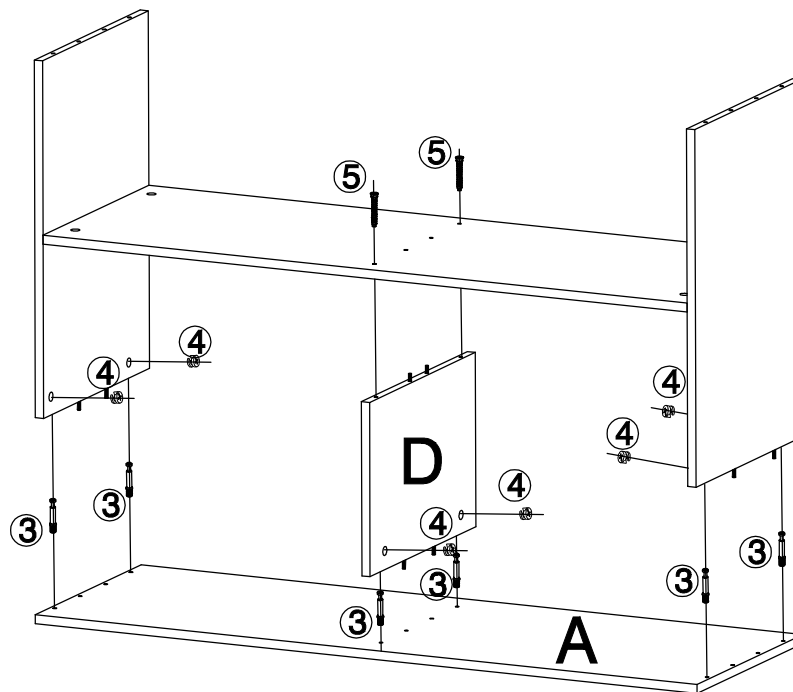
3



③ x4

④ x4

4

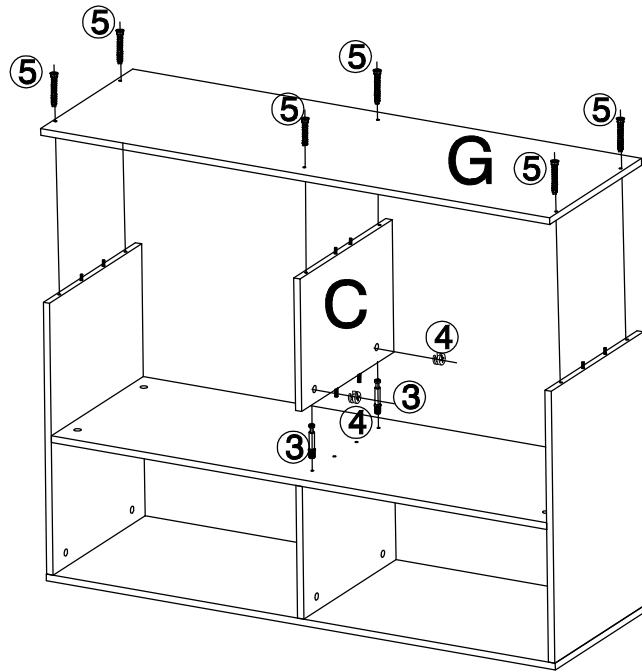


③ x6

④ x6

⑤ x2

5

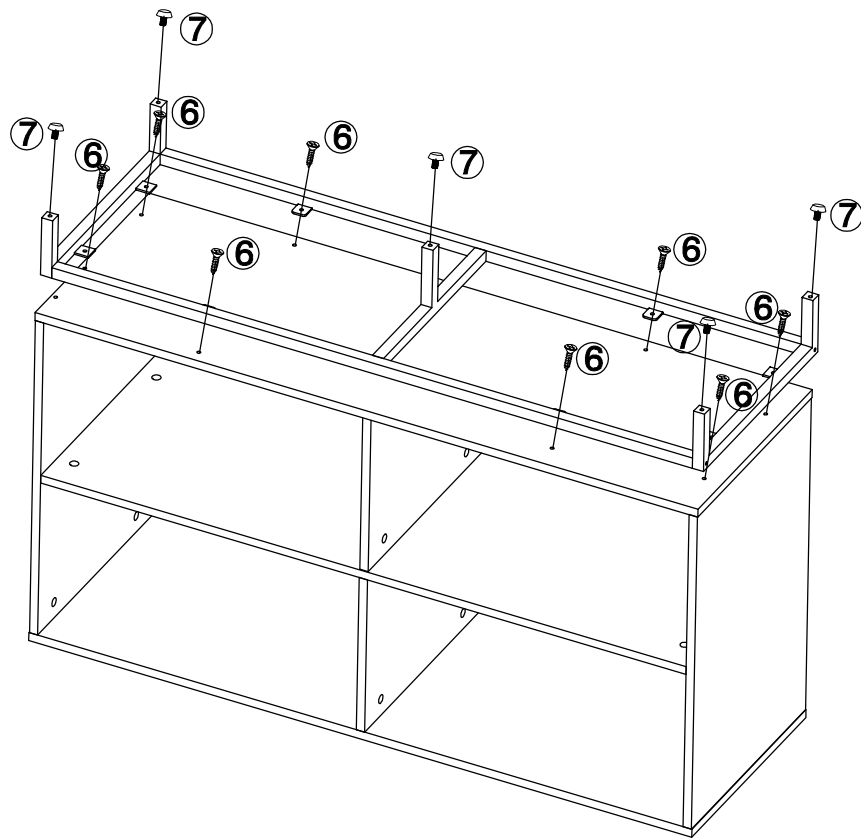


③ x2

④ x2

⑤ x6

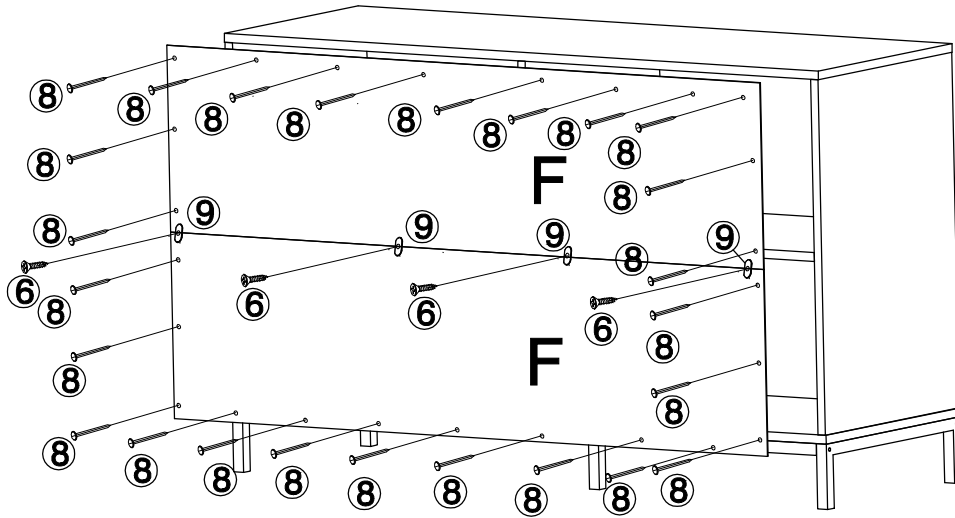
6



⑥ x8

⑦ x5

7



⑥ x4

⑧ x26

⑨ x4